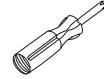


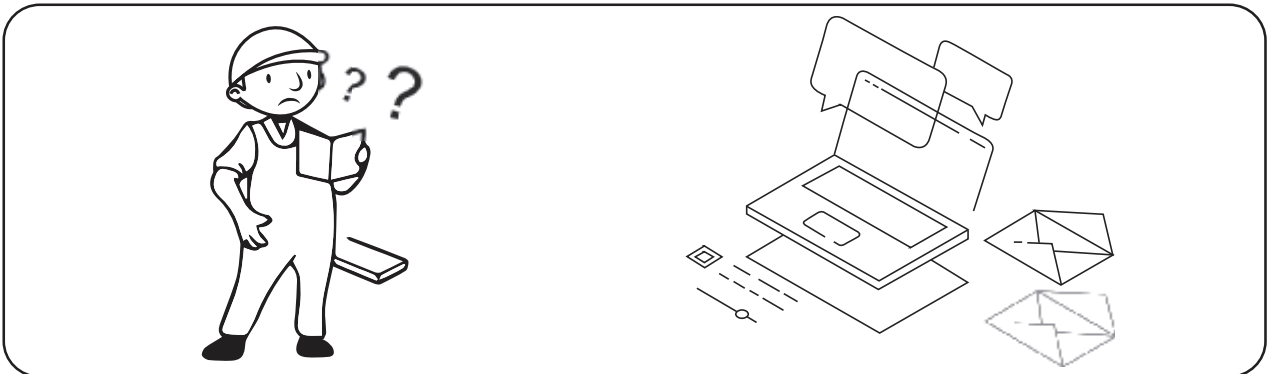
INSTALLATION MANUAL



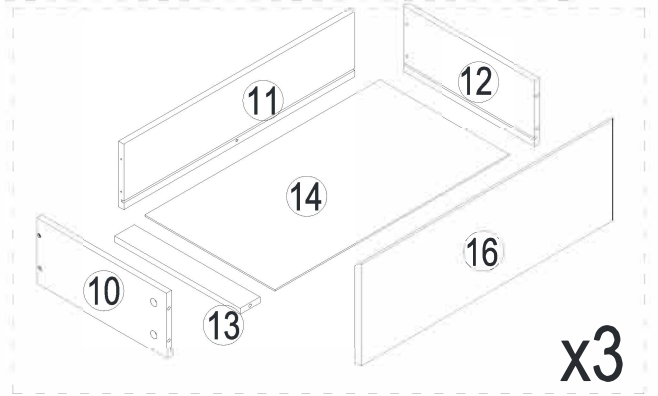
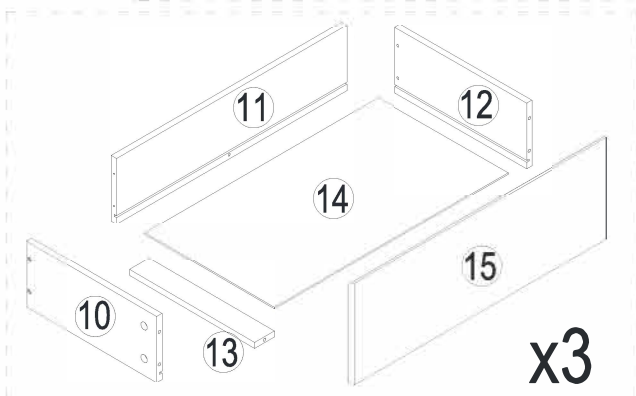
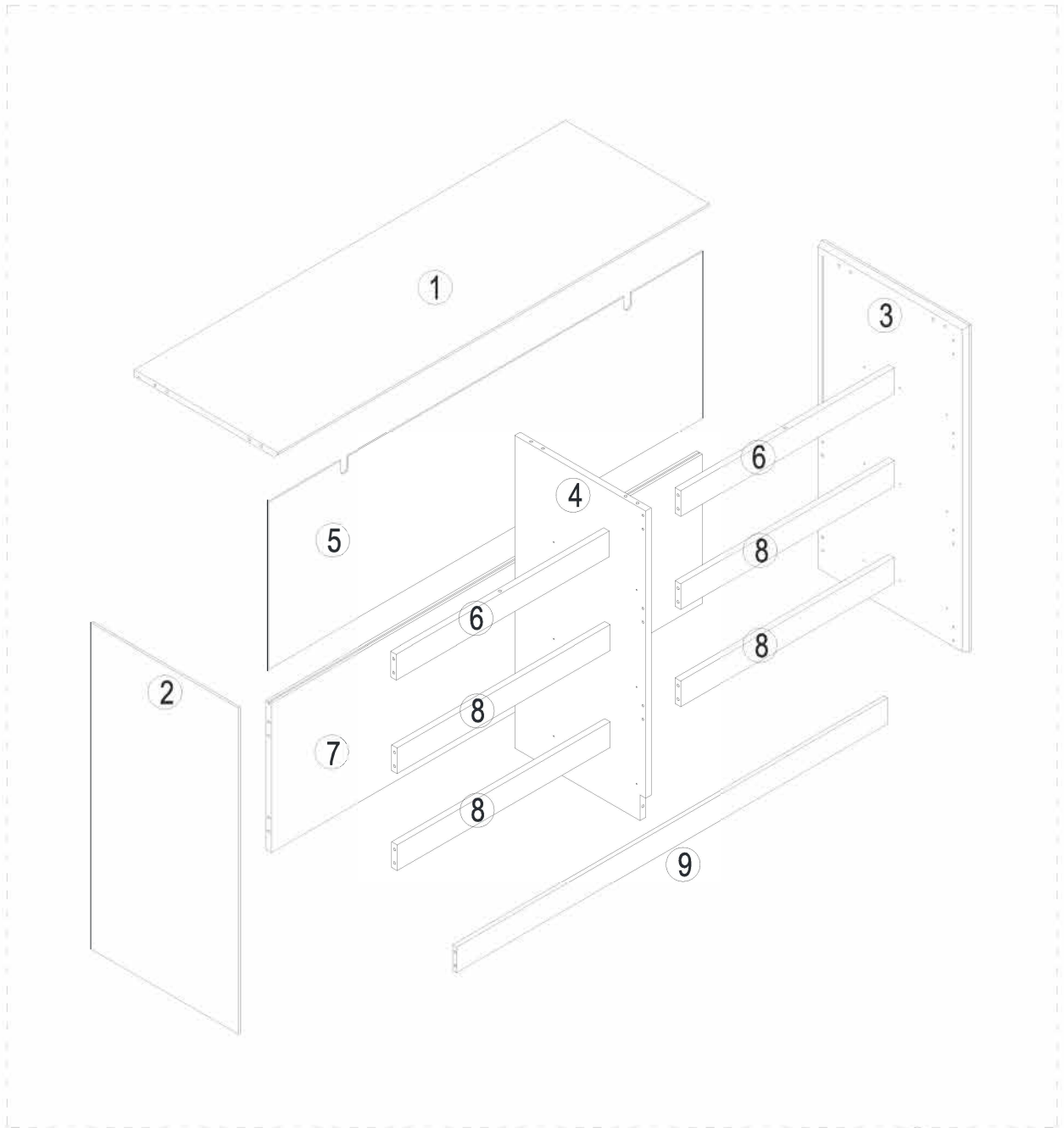
* Guests need to prepare their own :

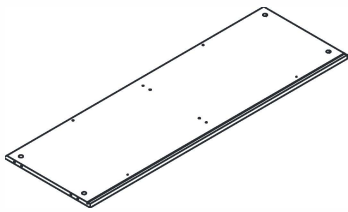


Phillips screwdriver

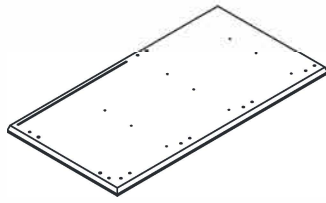


PARTS

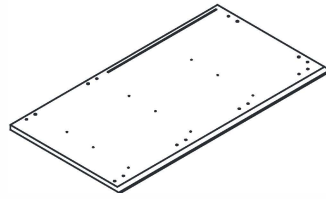




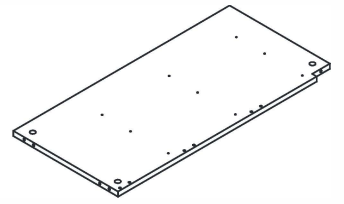
① x 1PCS



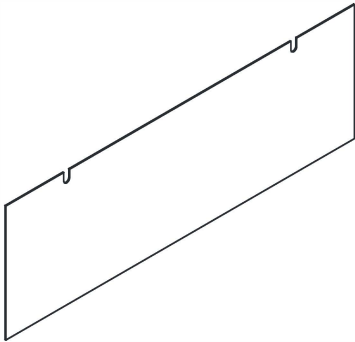
② x 1PCS



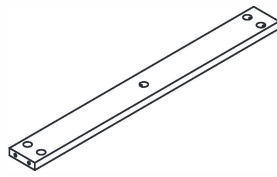
③ x 1PCS



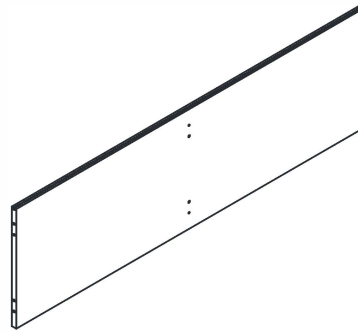
④ x 1PCS



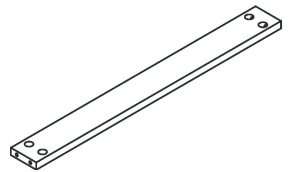
⑤ x 1PCS



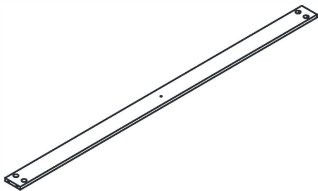
⑥ x 2PCS



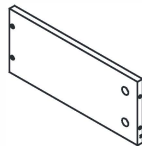
⑦ x 1PCS



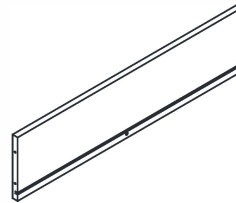
⑧ x 4PCS



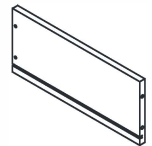
⑨ x 1PCS



⑩ x 6PCS



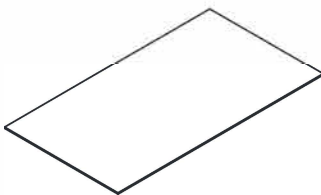
⑪ x 6PCS



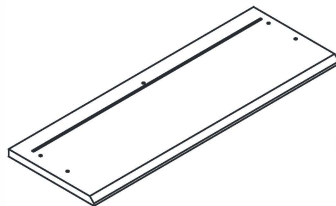
⑫ x 6PCS



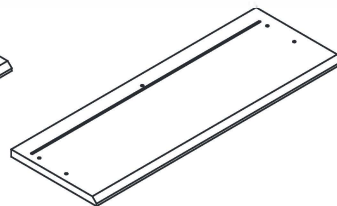
⑬ x 6PCS



⑭ x 6PCS



⑮ x 3PCS



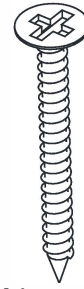
⑯ x 3PCS



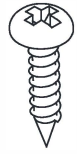
M6 x 35
A x 71 (+7)



Ø6 x 30
B x 12 (+2)



M4 x 35
C x 34 (+4)



M4 x 12
D x 2 (+1)

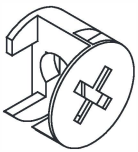


M3 x 14
E x 4 (+1)

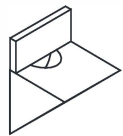


M3.5 x 12
F x 72 (+7)

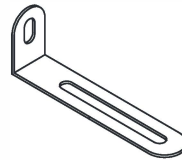
Scale 1 : 1



G x 71 (+7)



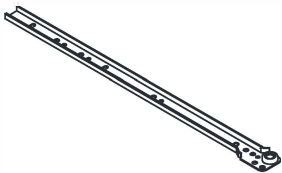
H x 4 (+1)



I x 2



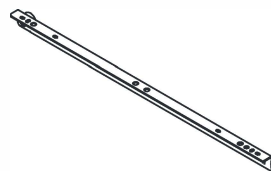
J x 2



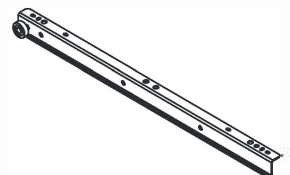
L = 300mm
CL x 6



L = 300mm
CR x 6






L = 300mm
DL x 6

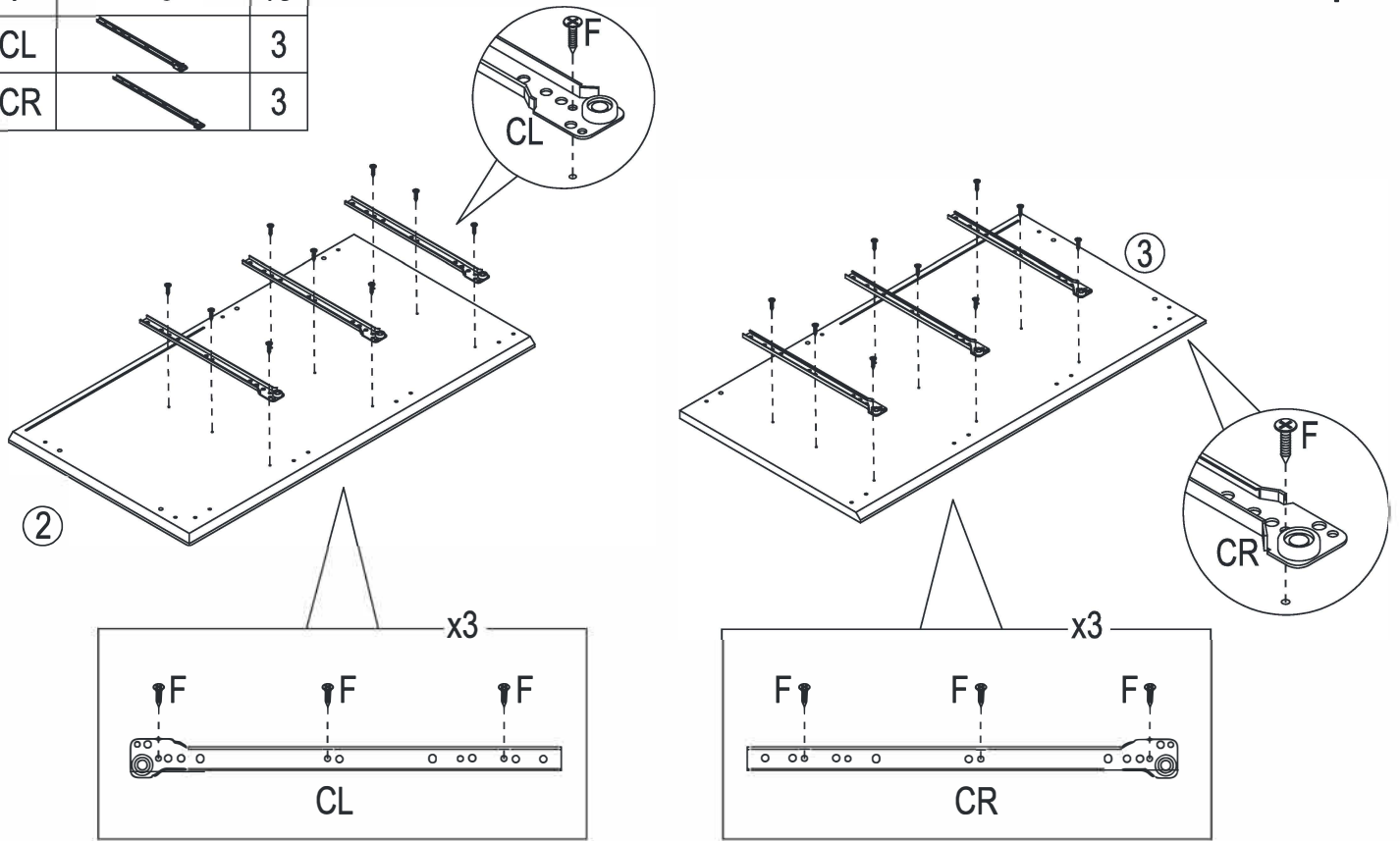


L = 300mm
DR x 6

Note: Some screws include extra pieces for your convenience. Please keep them in case of future use.

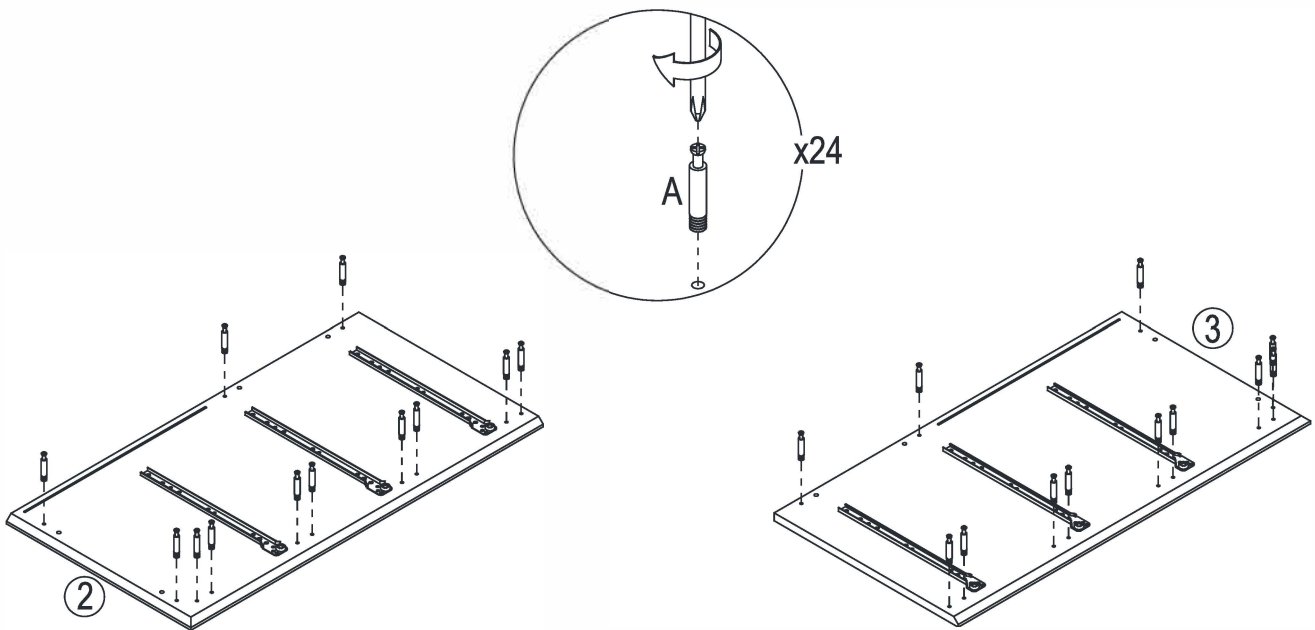
F		18
CL		3
CR		3




1

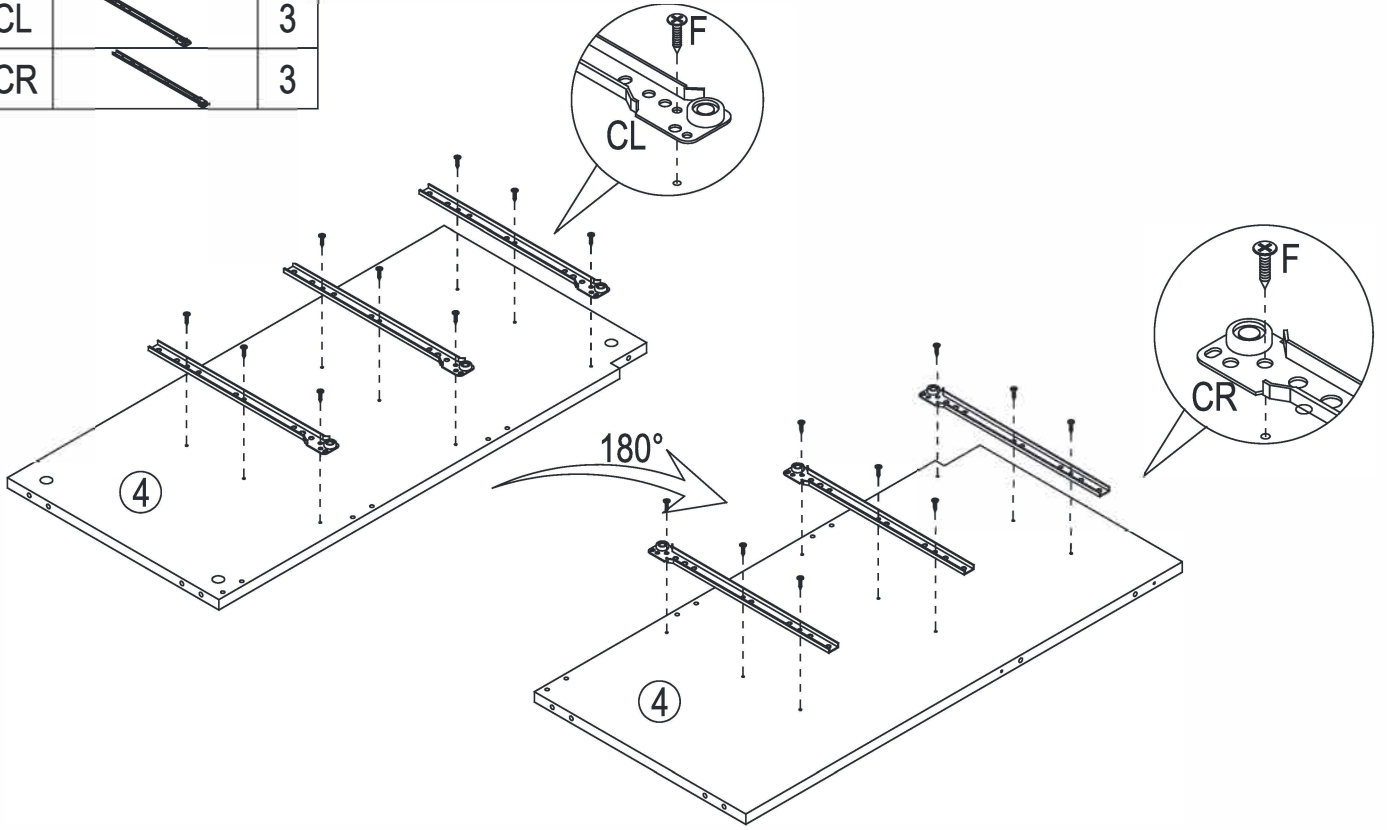



A		24
---	---	----

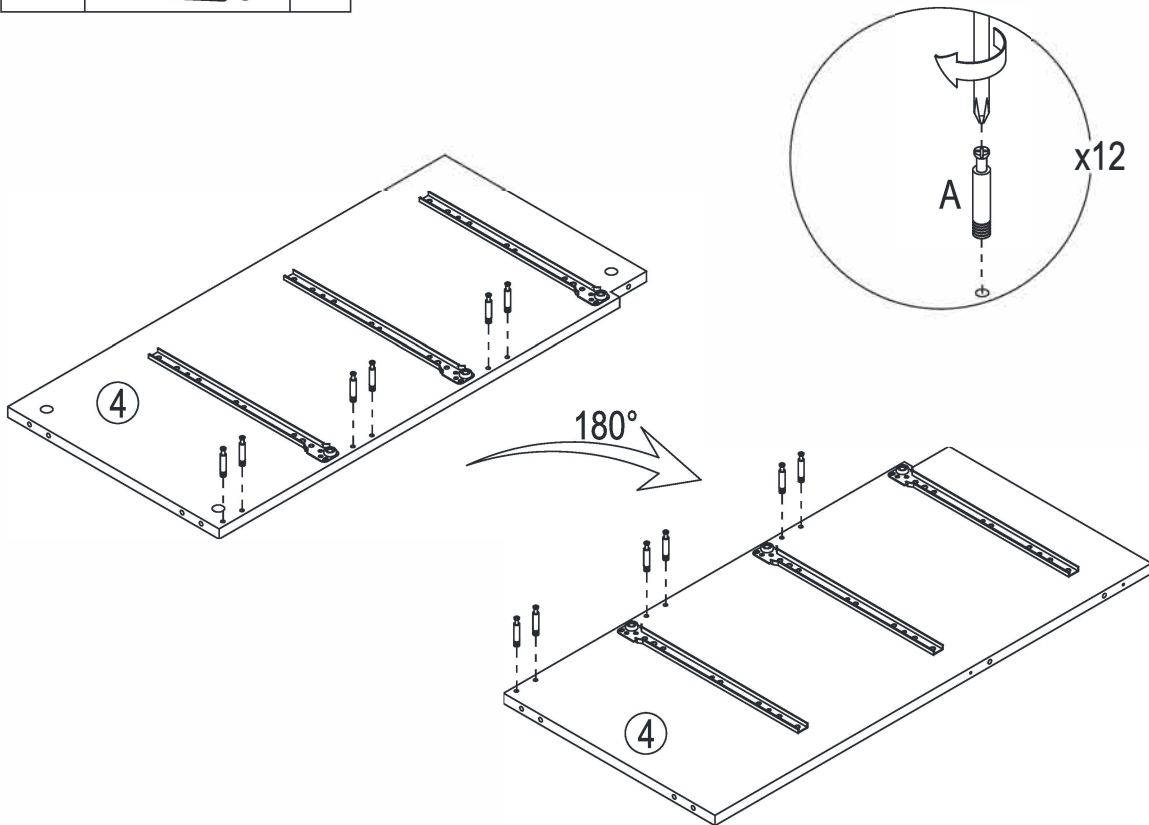
2




F		18
CL		3
CR		3

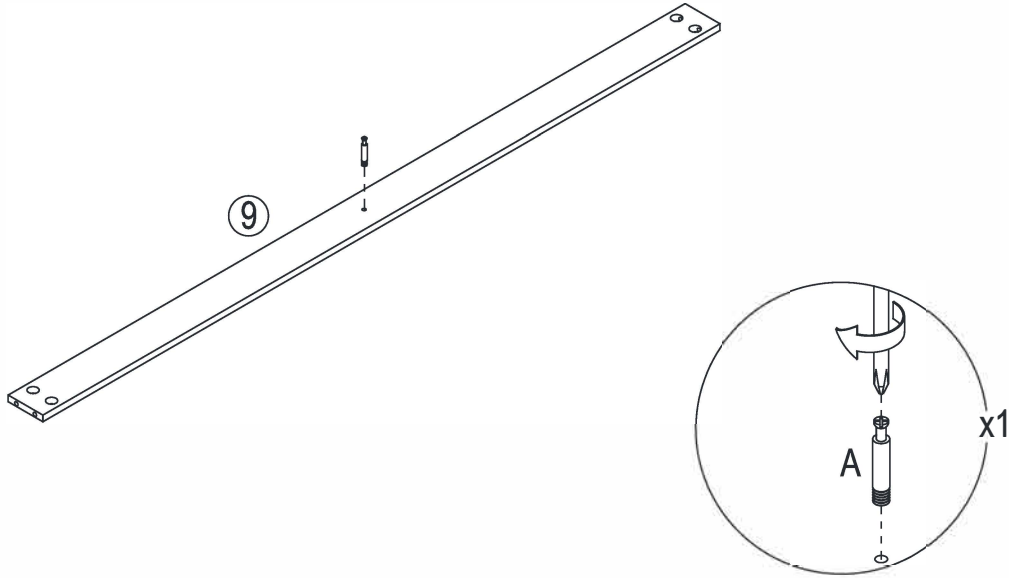


A		12
---	---	----



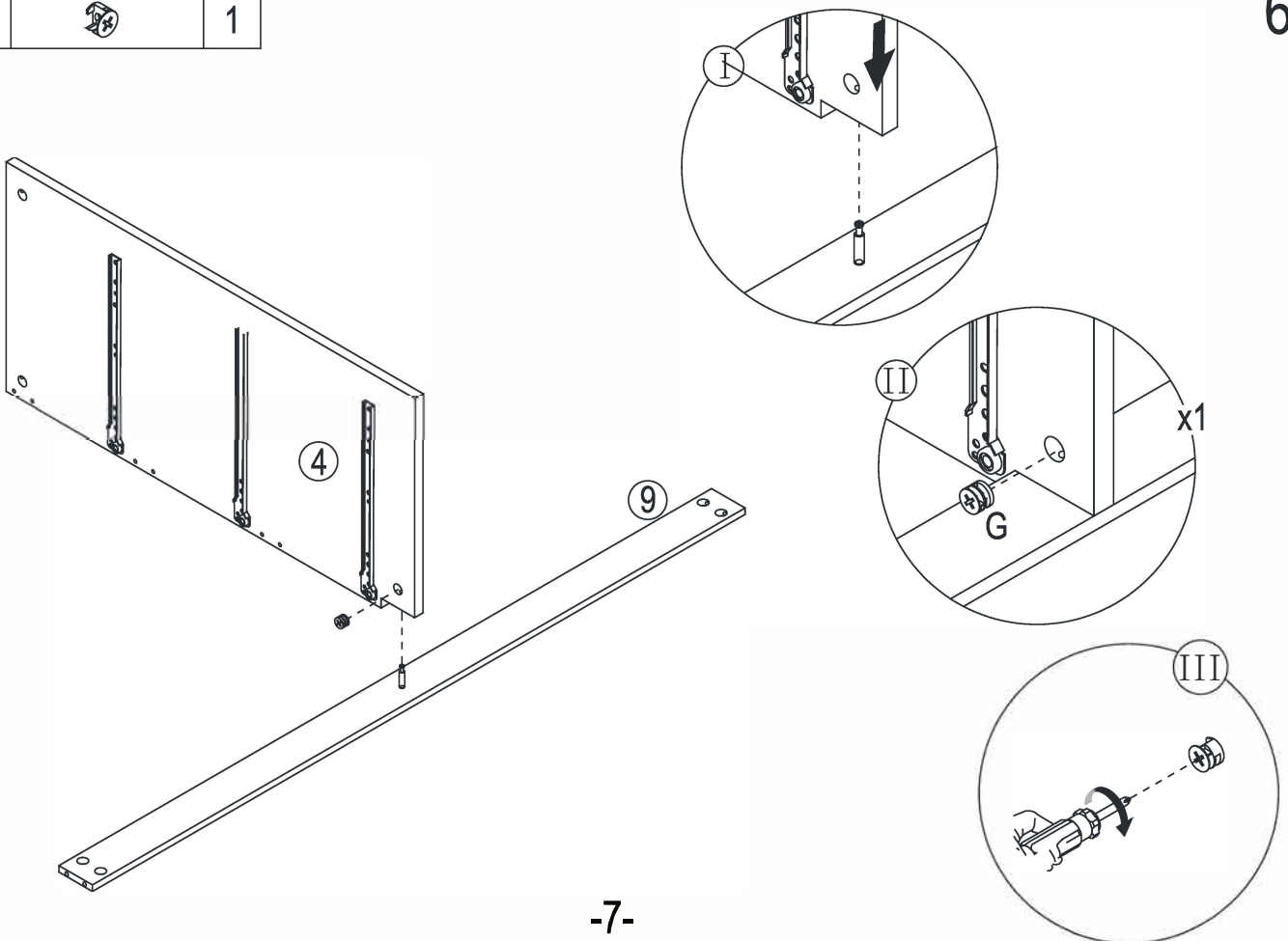
A		1
---	---	---

5



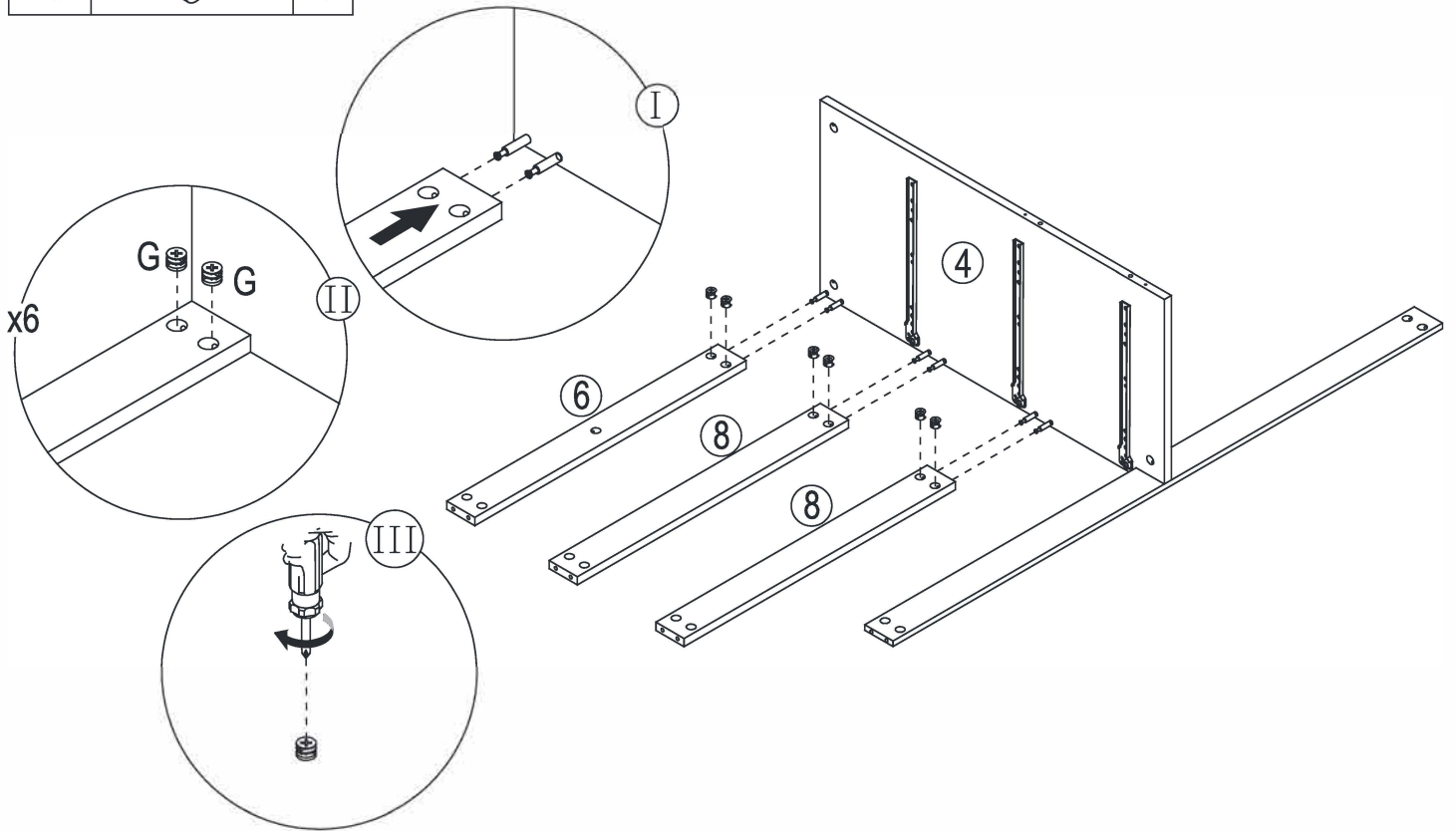
G		1
---	---	---

6



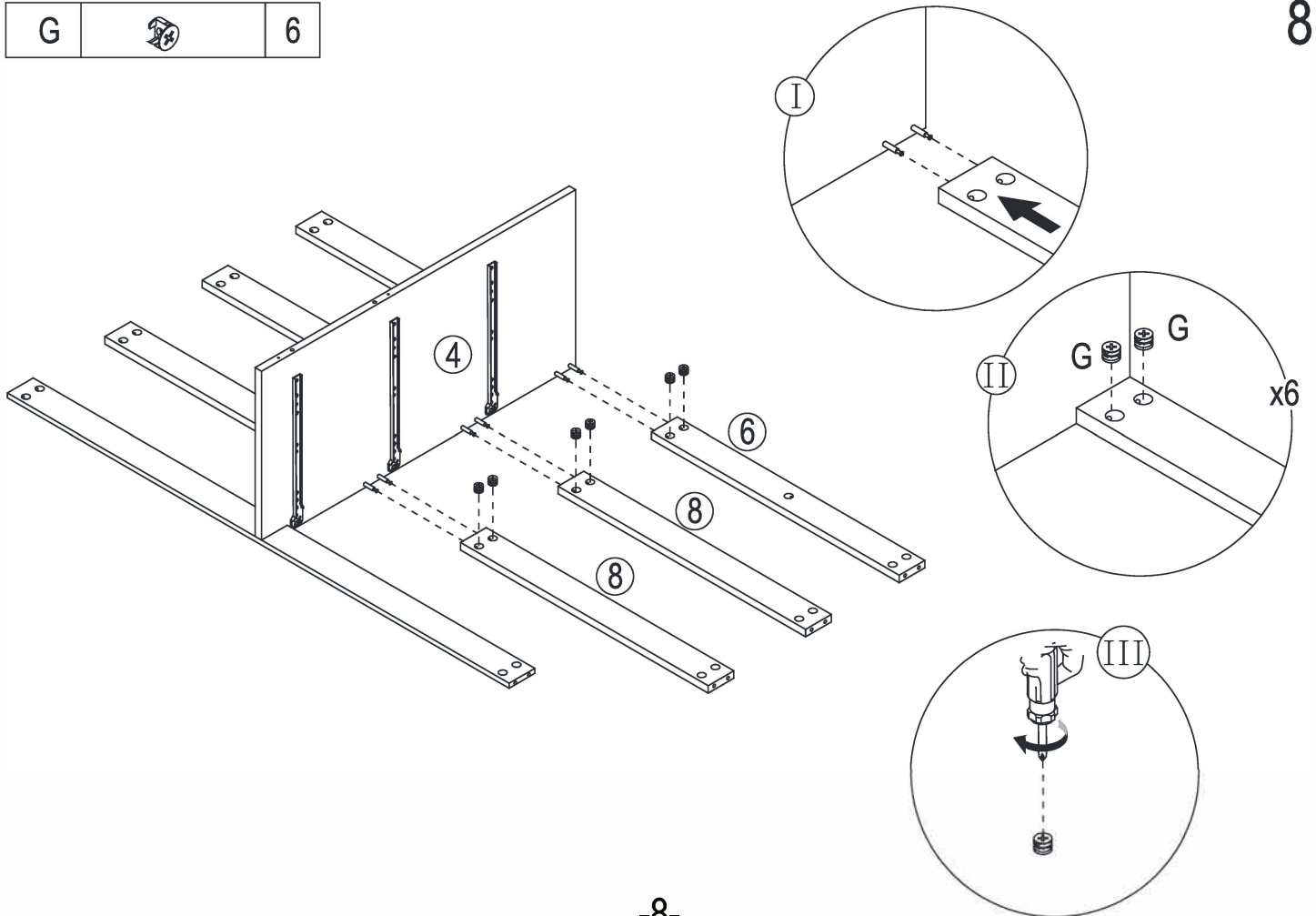
G		6
---	---	---




7



G		6
---	---	---

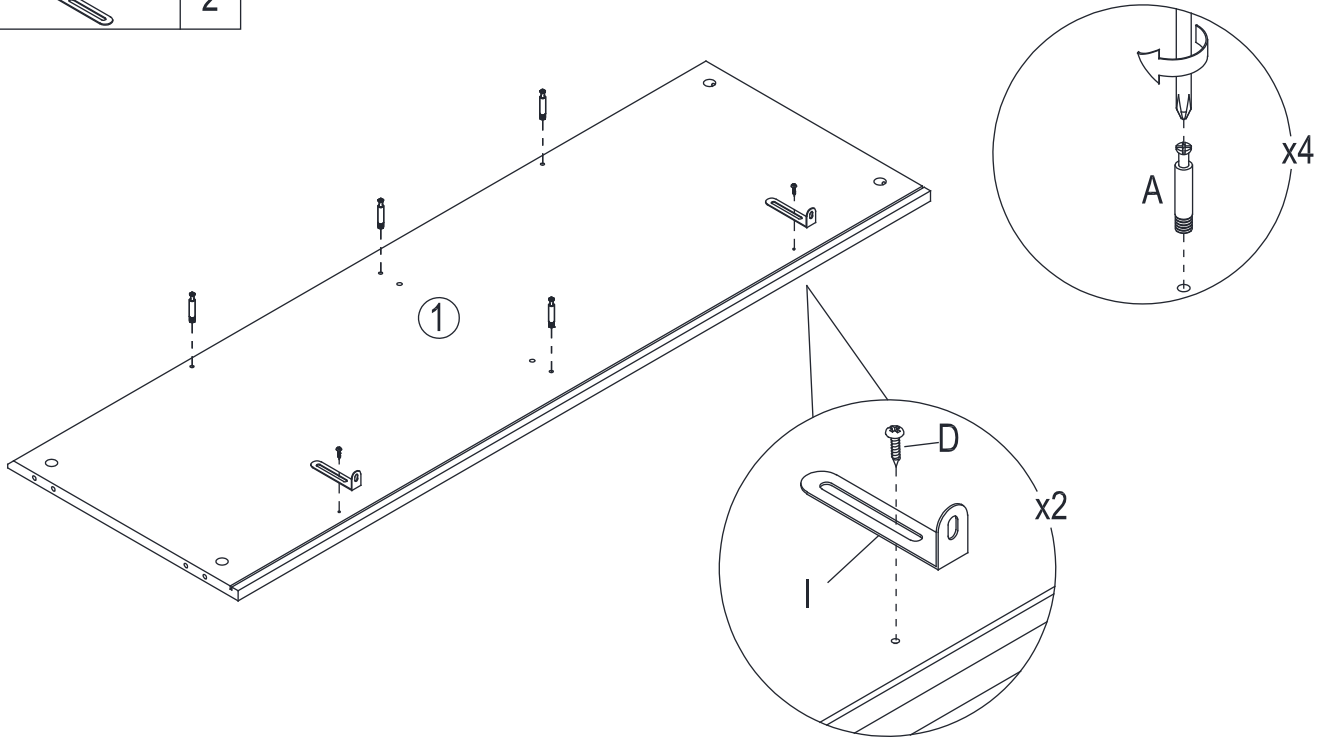
8





A		4
D		2
I		2

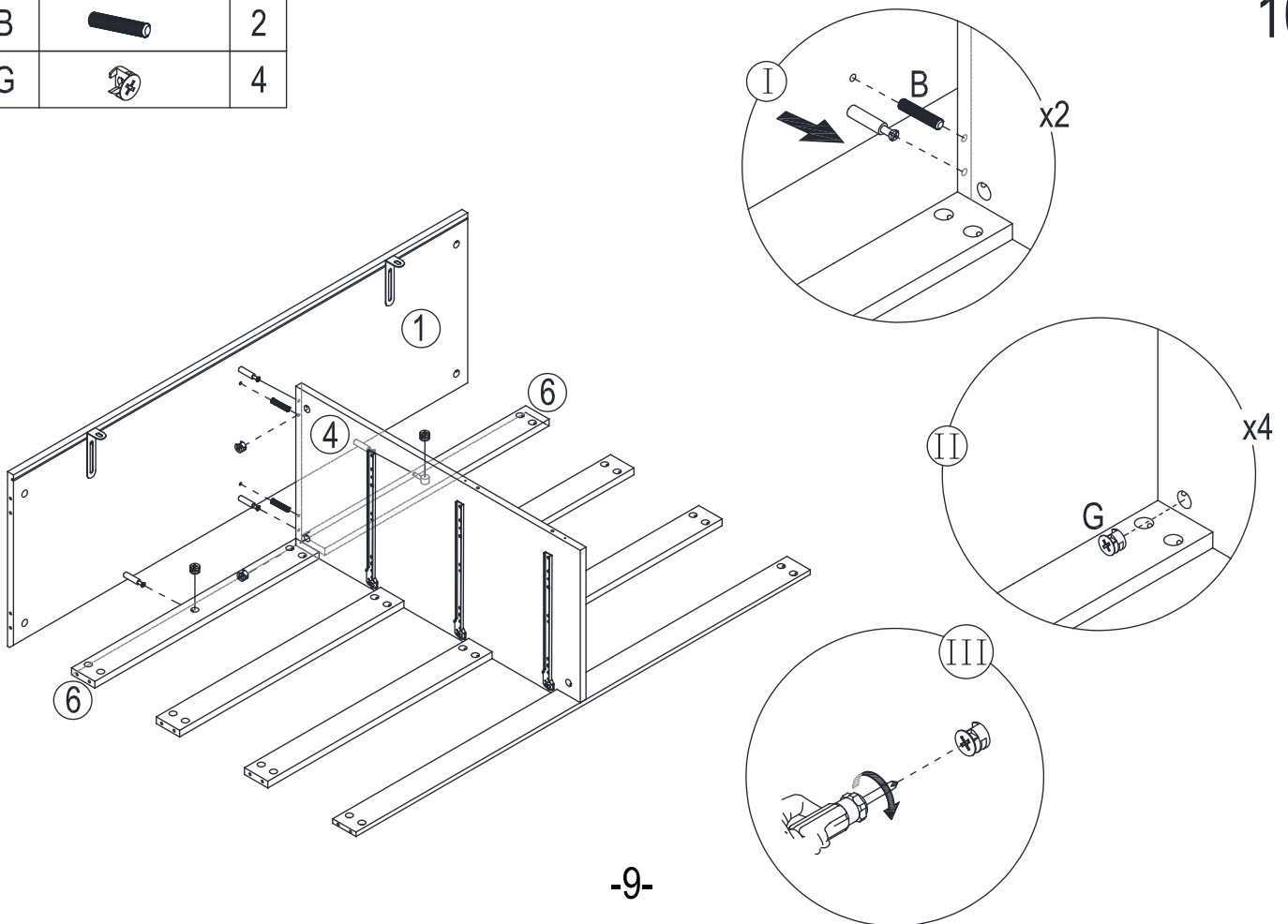
Secure the long side of the 'I' shaped metal plate to Board ① using one short 'D'screw.

9

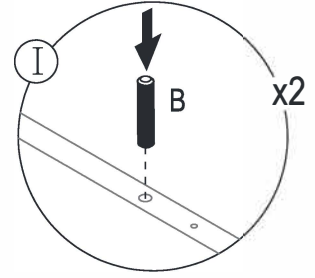
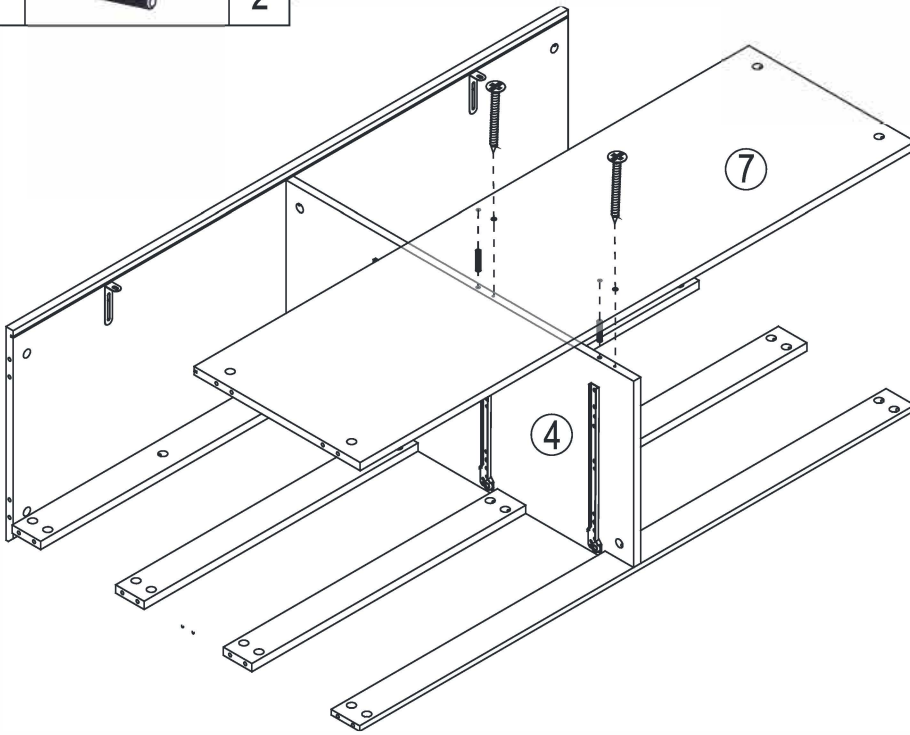


B		2
G		4

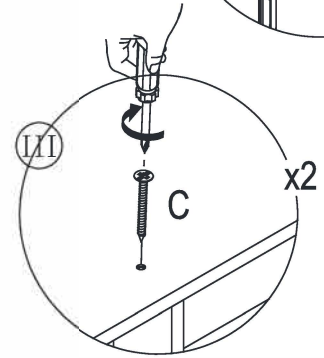
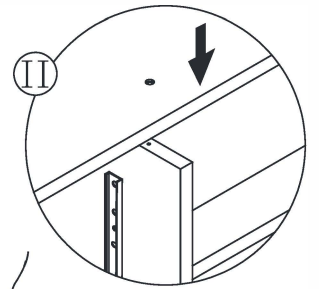
10



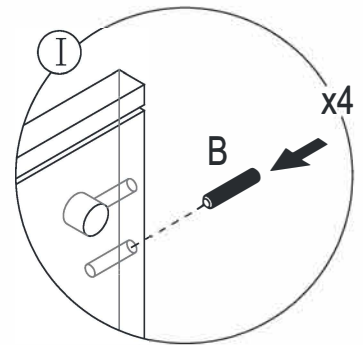
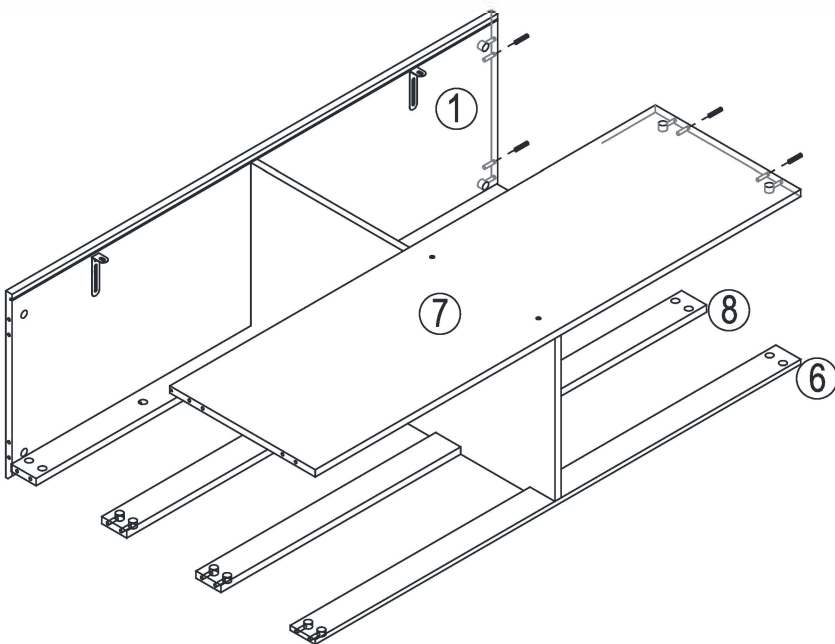
C		2
B		2



11

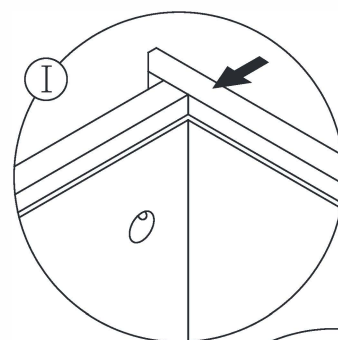
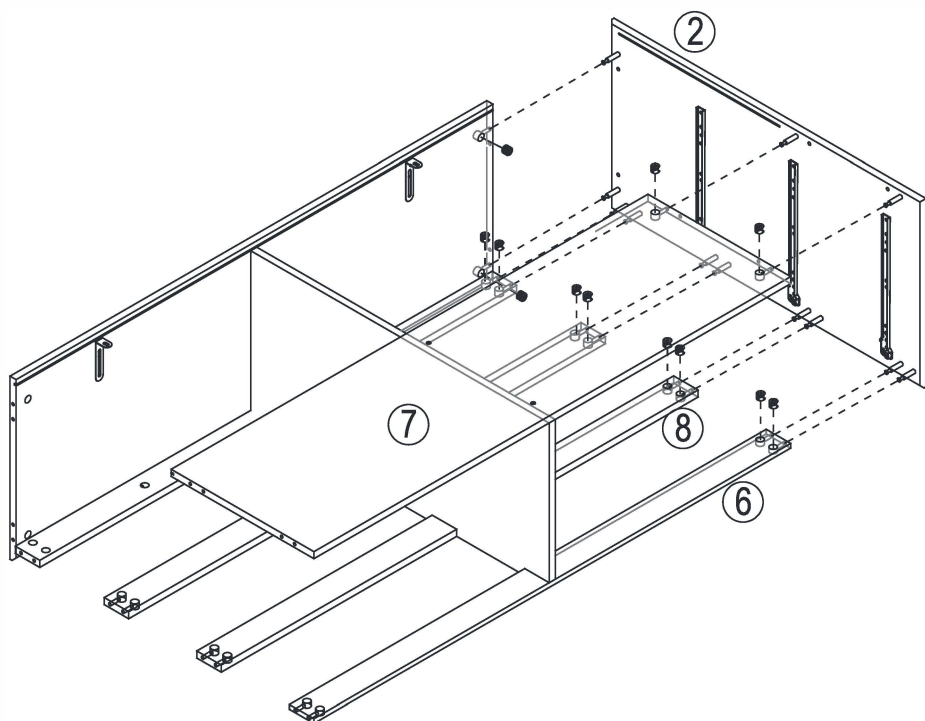


B		4
---	---	---

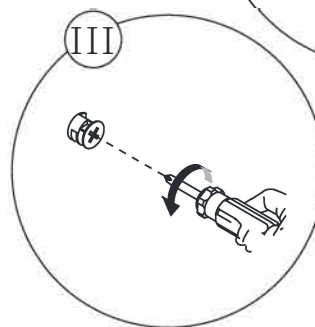
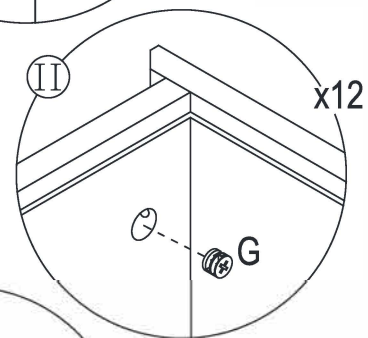


12

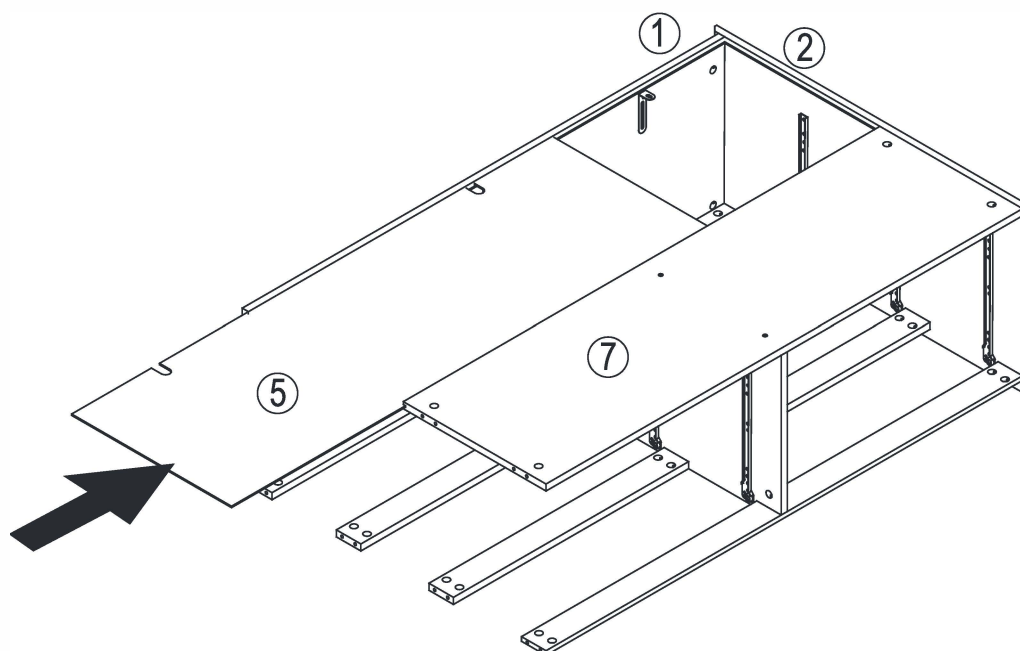
G		12
---	---	----



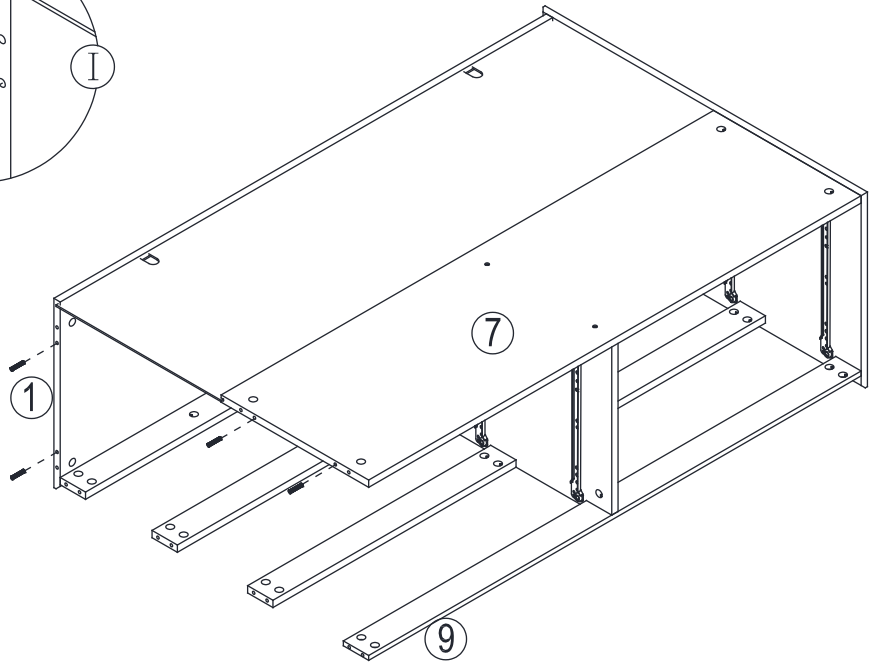
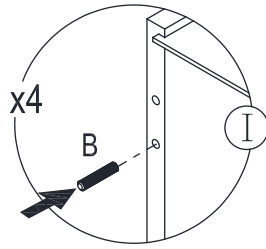
13



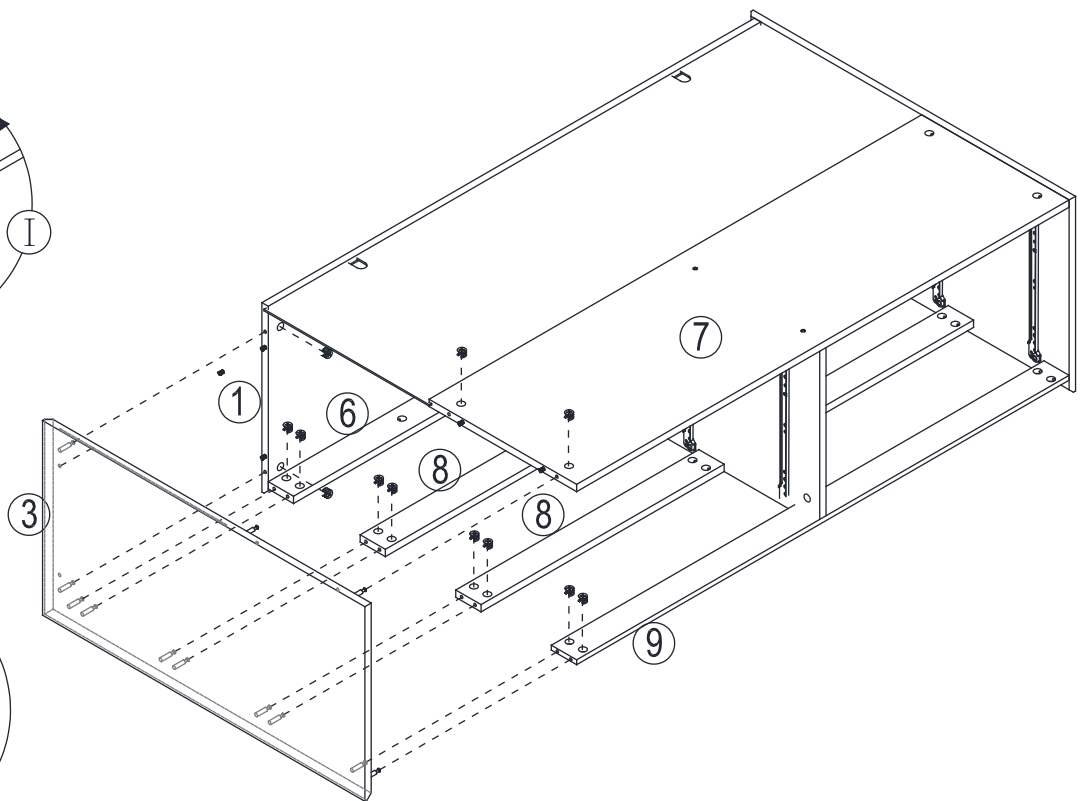
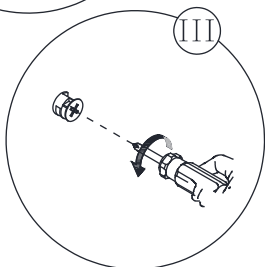
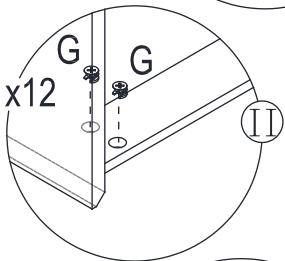
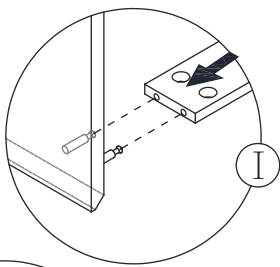
14





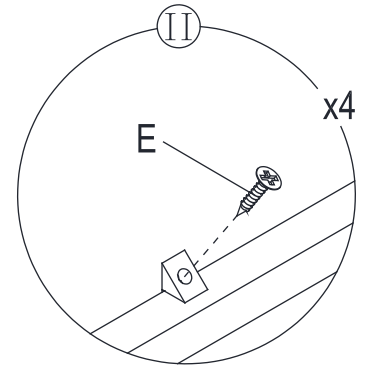
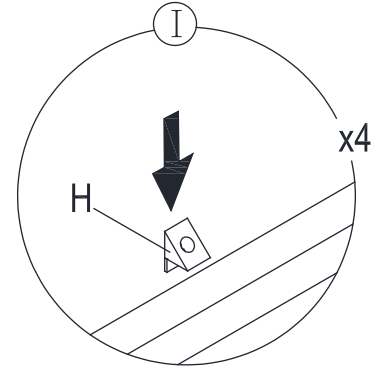
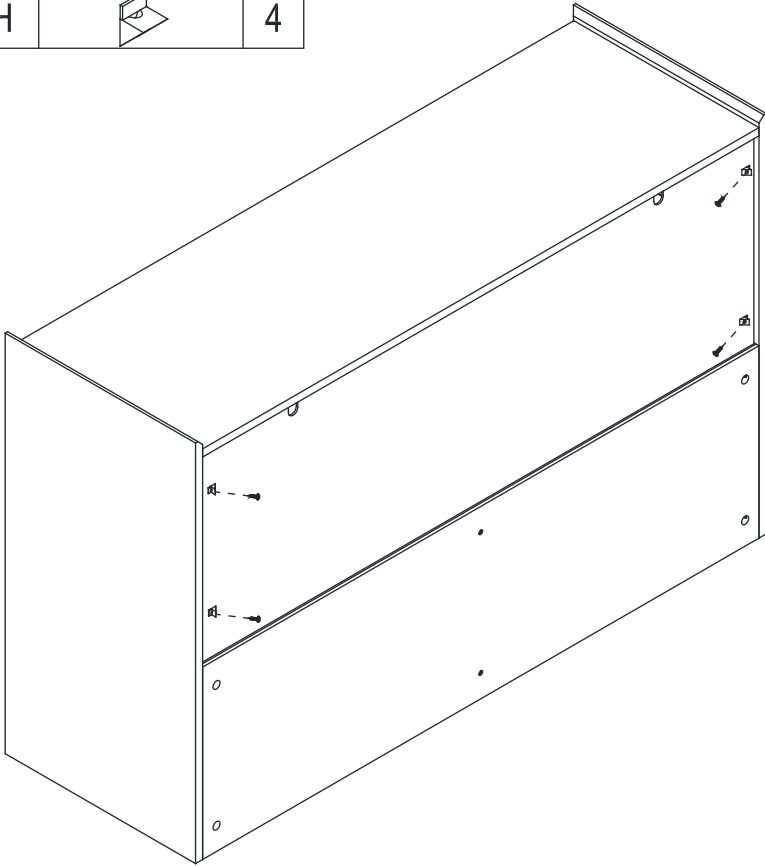
B		4
---	---	---



G		12
---	---	----

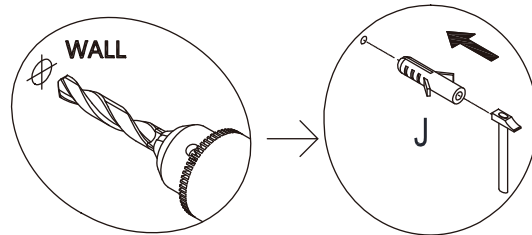
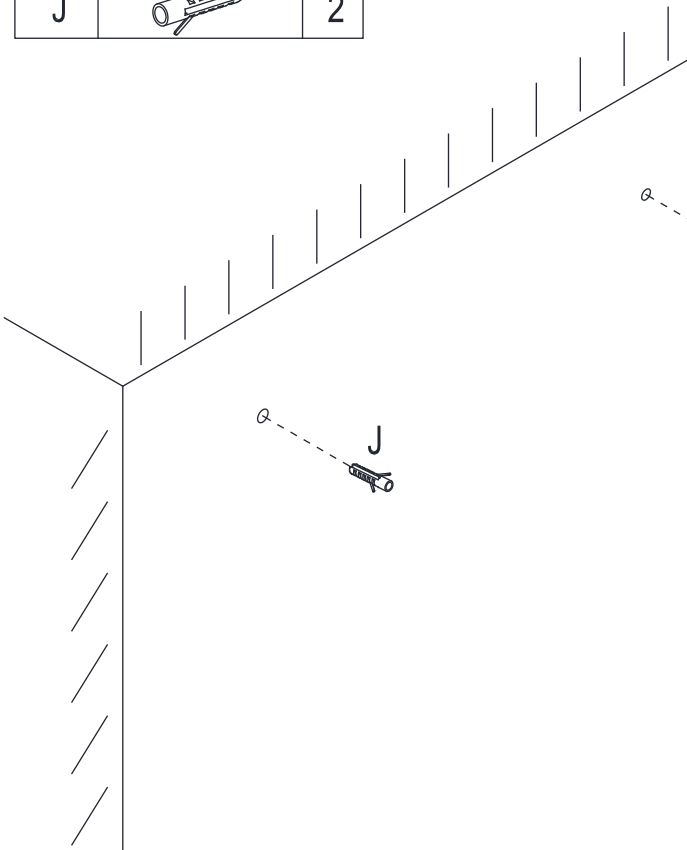


E		4
H		4



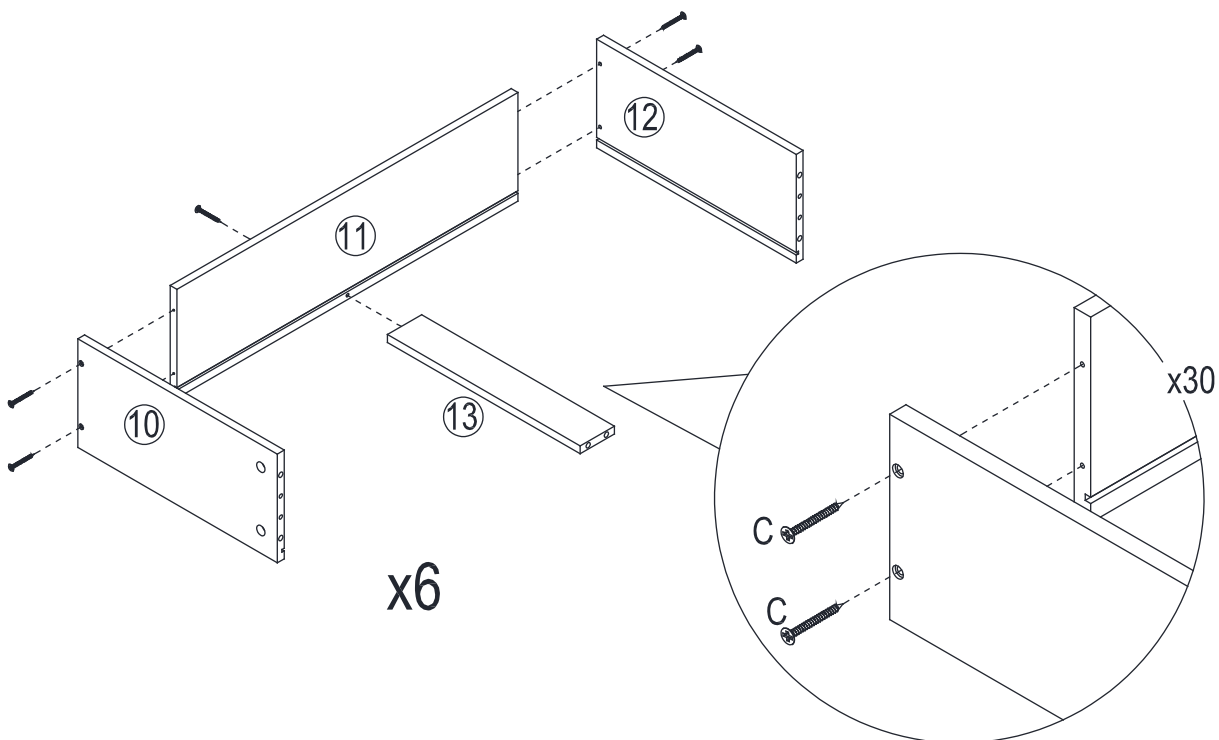
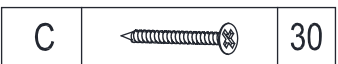
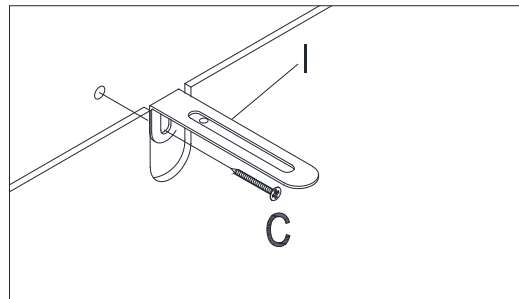
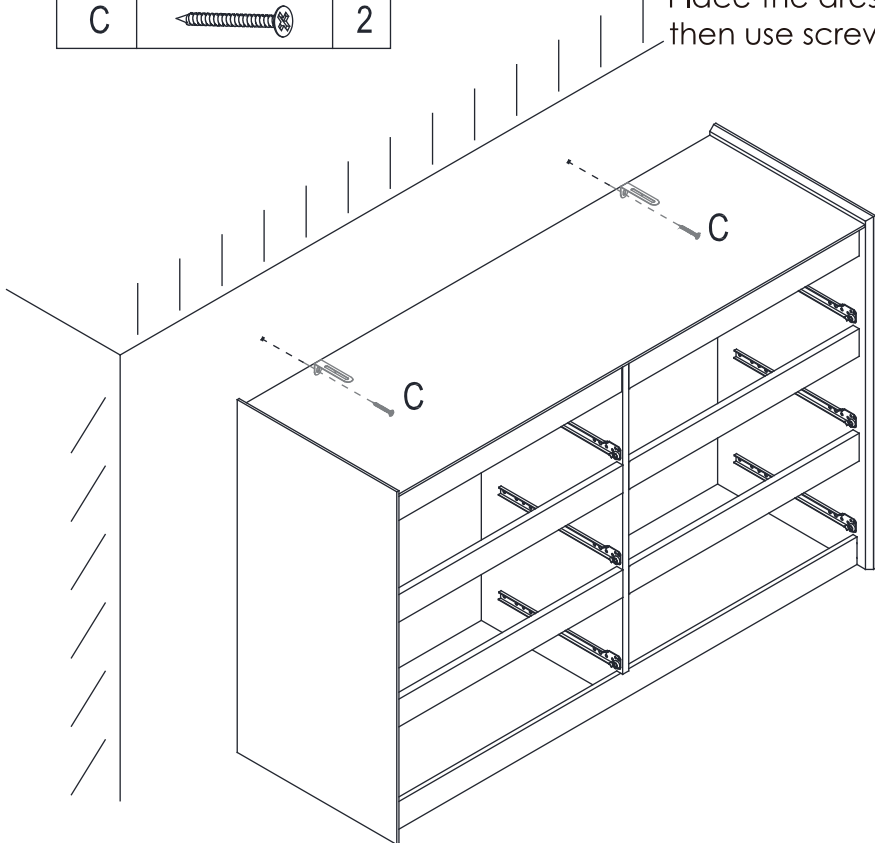
J		2
---	---	---

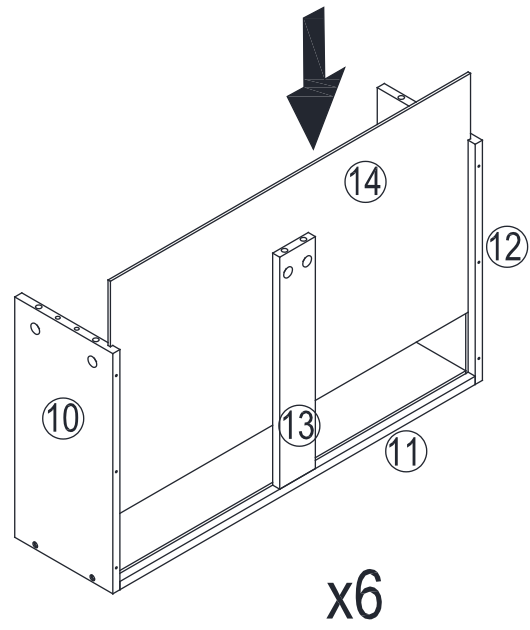
Drill two holes in the wall at the marked position for installing the anti-tip device.




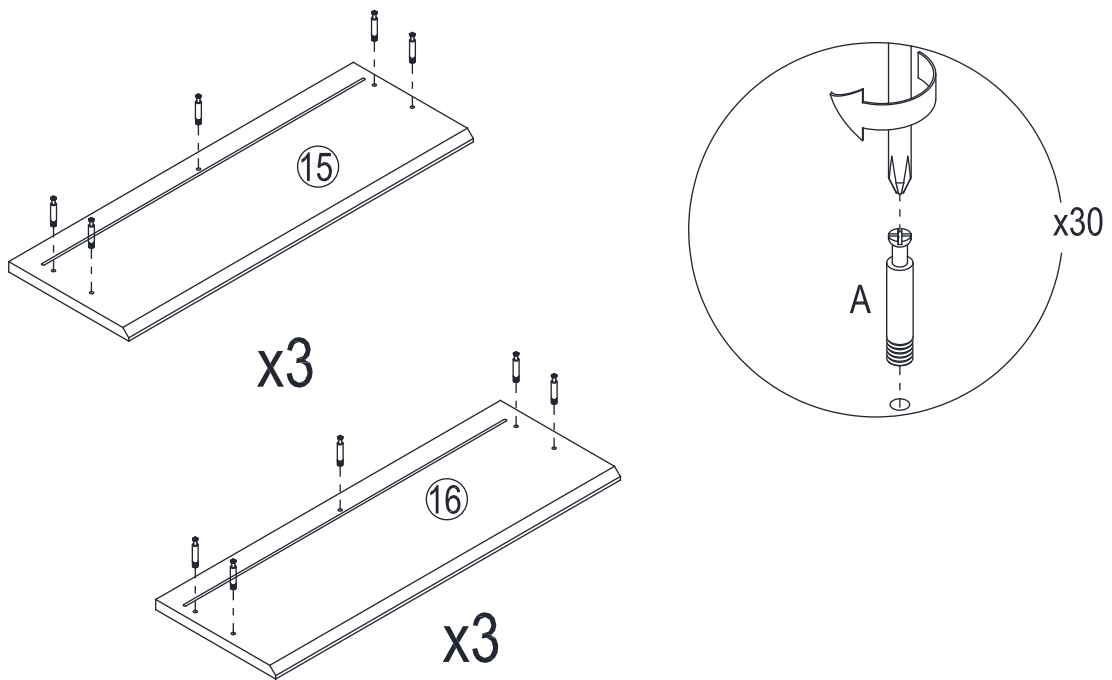


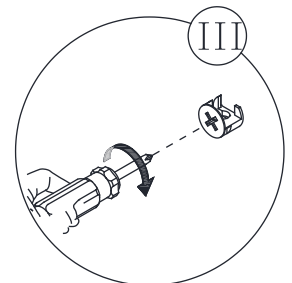
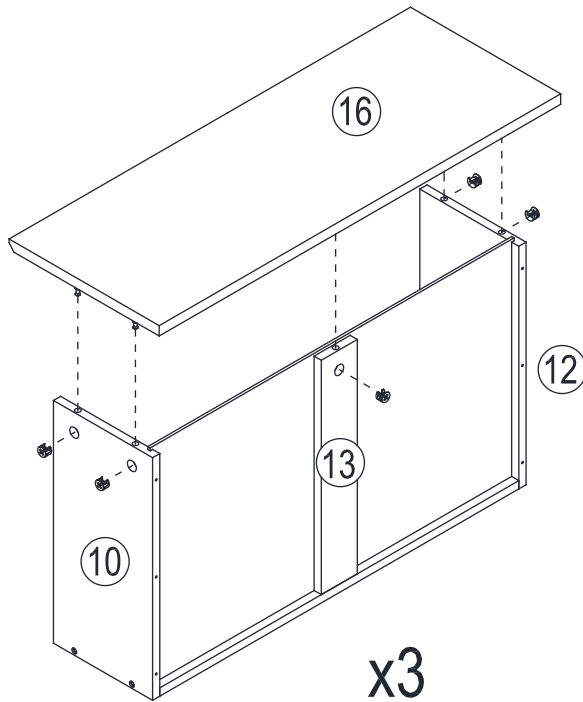
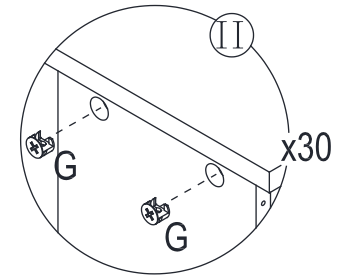
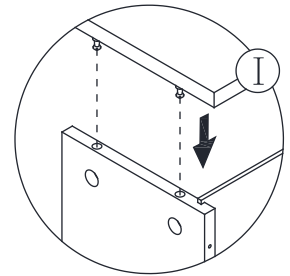
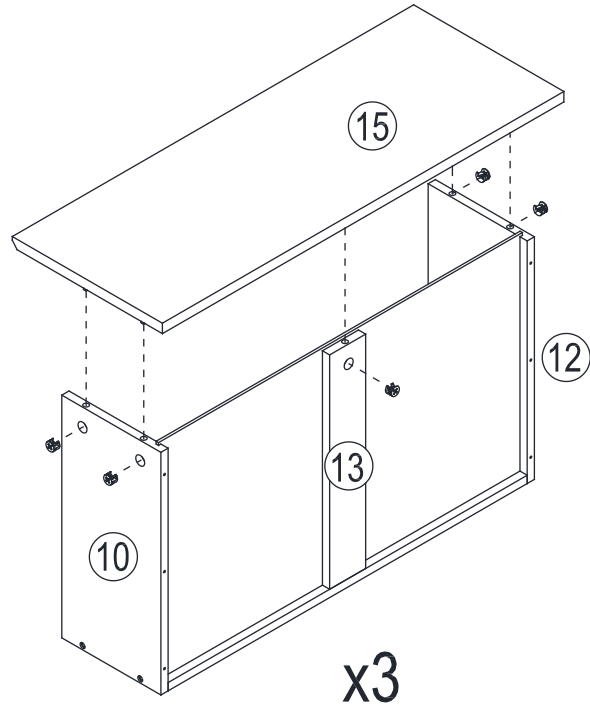
Place the dresser in the desired position, then use screw C to anchor it securely to the wall.






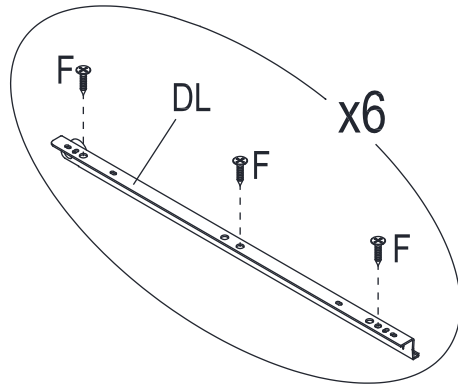
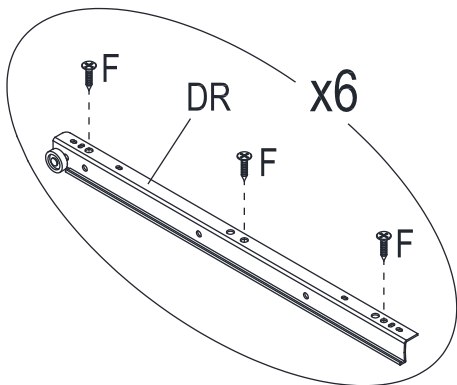
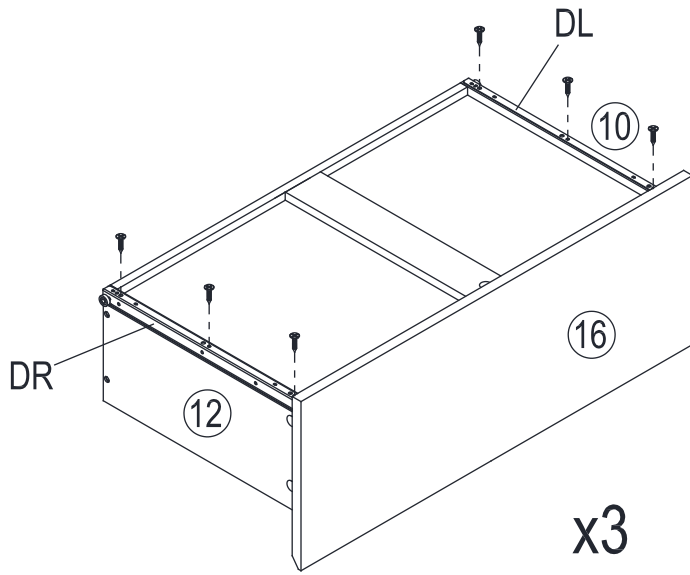
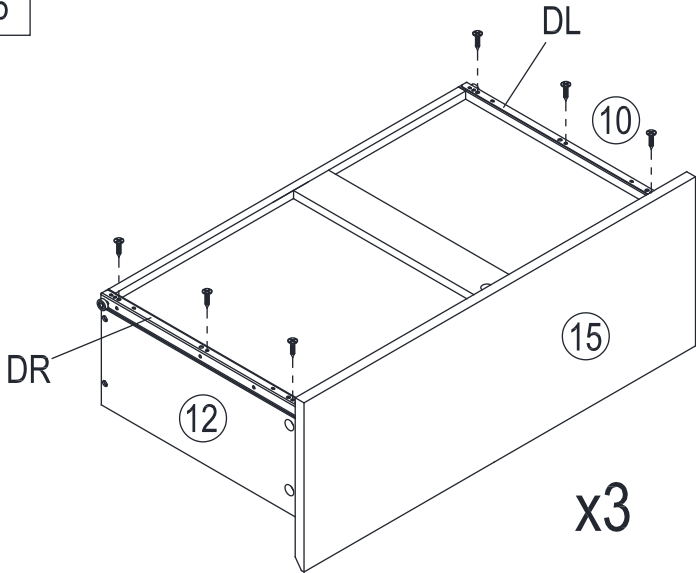


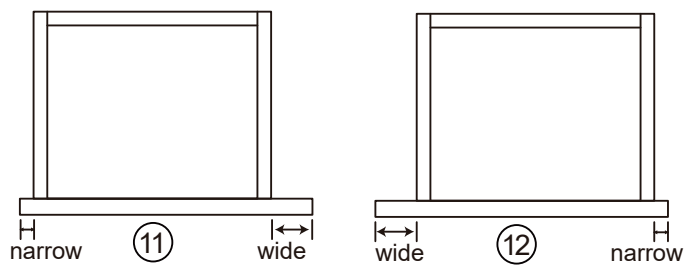
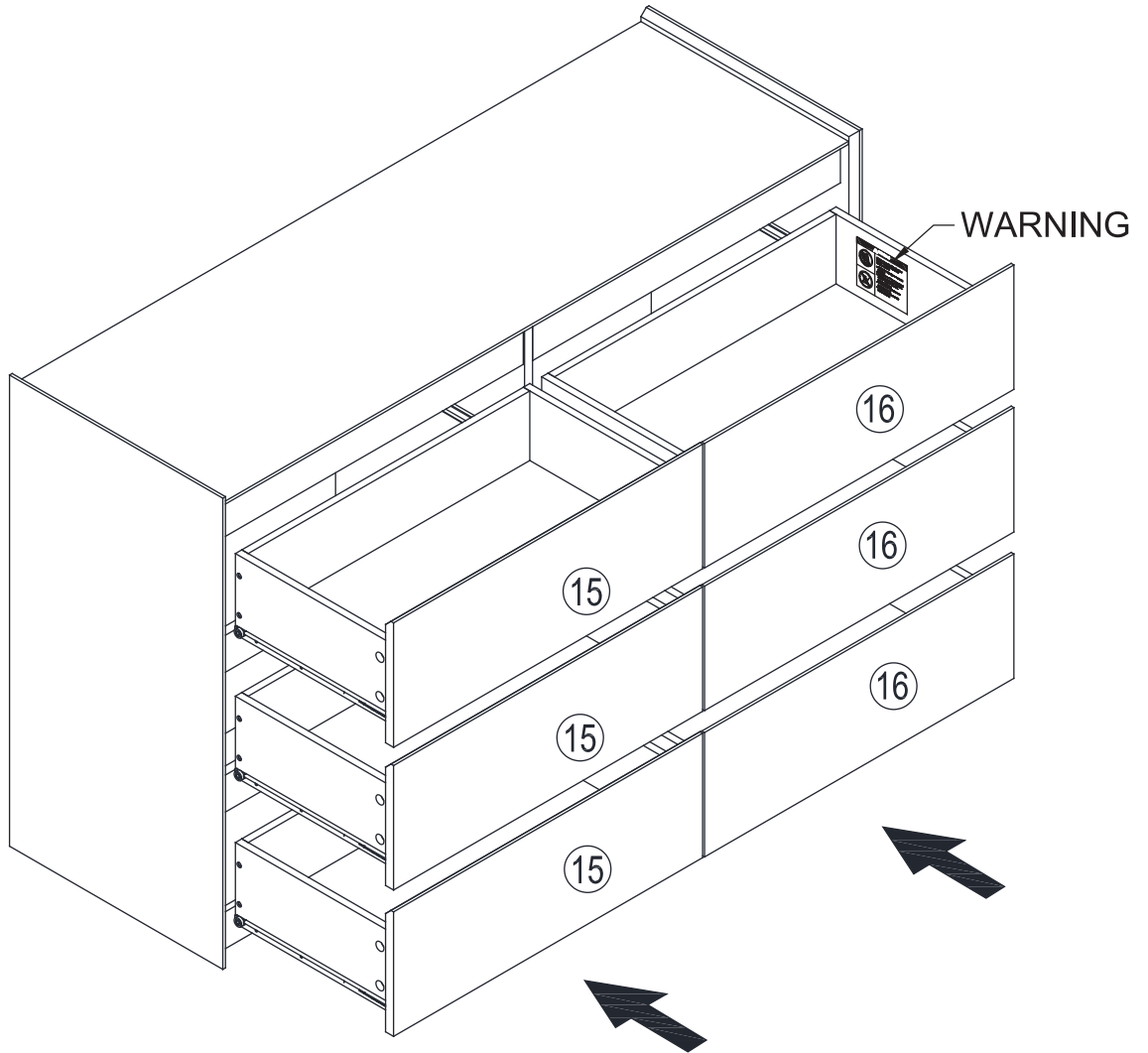
A		30
---	---	----



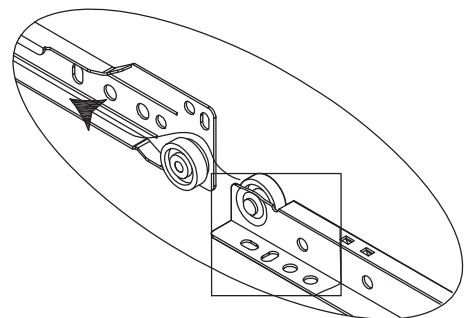
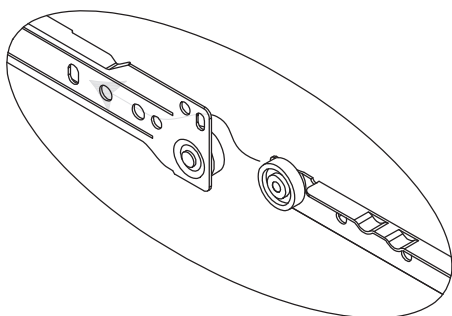


F		36
DL		6
DR		6





Make sure parts #11 are for the left drawer and #12 are for the right drawer.



! WARNING

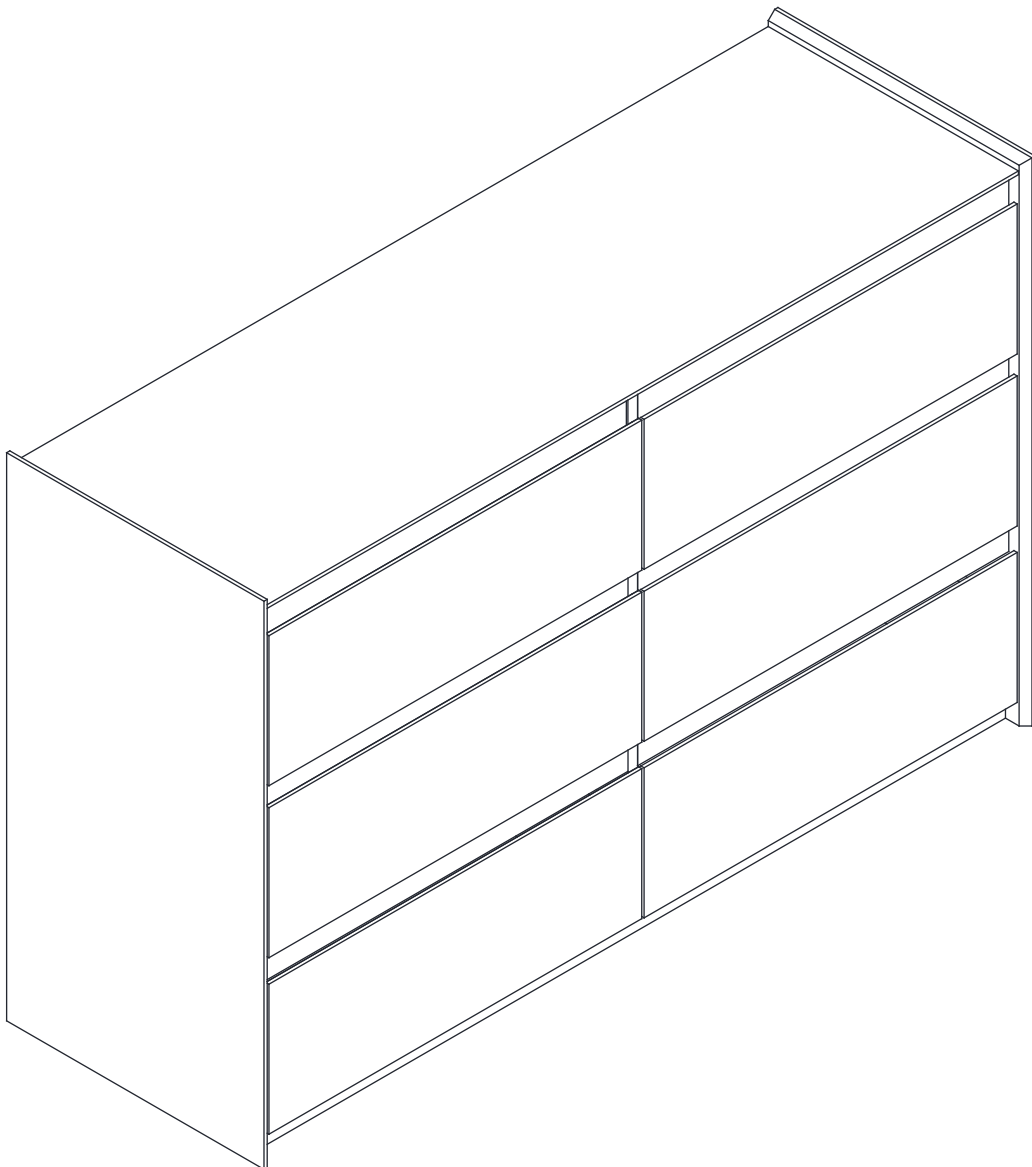


Children have died from furniture tipover. To reduce the risk of furniture tipover:

- **ALWAYS** install Anti-tip device provided.
- **NEVER** put a TV on this product.
- **NEVER** allow children to stand, climb or hang on any drawers, doors, or shelves.
- **NEVER** open more than one drawer at a time.
- Place heaviest items in the lowest drawers.



***This is a permanent label.
Do not remove!***



SAFETY FIRST, STYLE ALWAYS

Thank you for choosing our products. To ensure safety and performance, please follow these instructions:

- **Assembly:** Carefully follow instructions and tighten all parts.
- **Intended Use:** Use furniture as intended and adhere to weight limits.
- **Handling:** Move gently and check for loose parts regularly.
- **Tipping:** Tall or unstable furniture may tip over if not secured, especially in homes with children or pets.
- **Overloading:** Exceeding weight limits can lead to collapse or damage.
- **Sharp Edges:** Handle furniture with sharp corners carefully, especially around children.

MAINTENANCE & CLEANING TIPS

- **Regular Cleaning:** Use a soft, dry cloth to wipe the surface of cabinet regularly. Avoid harsh chemical cleaners.
- **Protect from Sunlight:** Keep cabinet out of direct sunlight to prevent damage to the material and finish.

DON'T WORRY, WE'VE GOT YOUR BACK.

We don't just sell furniture — we're here for the long haul! If you run into any issues due to manufacturing defects or material problems, we offer a 1-year warranty. That means we'll replace any faulty parts for free — no hassle.