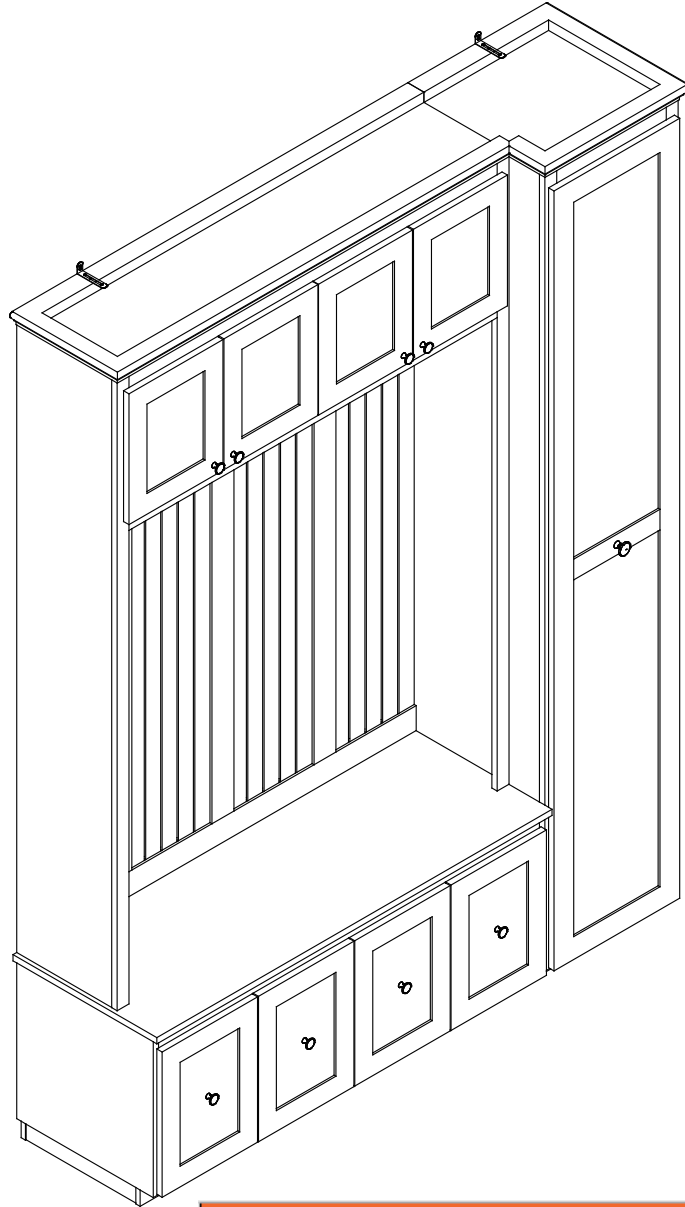


# Hall Tree

Assembly Instructions - Please keep for future reference



## Dimensions

Width- 59.05inch

Depth- 15.75inch

Height- 78.74inch

! WARNING	
	This product is NOT a Clothing Storage Unit (CSU). DO NOT use it for clothing storage. Improper use may cause furniture tipover.

Important – Please read these instructions fully before starting assembly



# Safety and Care Advice

**Important – Please read these instructions fully before starting assembly**

- Check you have all the components and tools listed on the following pages.
- Remove all fittings from the plastic bags and separate them into their groups.
- Keep children and animals away from the work area, small parts could choke if swallowed.
- Make sure you have enough space to layout the parts before starting.

- During assembly do not stand or put weight on the product, this could cause damage.
- Assemble the item as close to its final position (in the same room) as possible.
- Assemble on a soft level surface to avoid damaging the unit or your floor.
- Parts of the assembly will be easier with 2 people.



power drill is set on a low torque setting.

- To reduce the likelihood of damaging your product please ensure that your

## Care and maintenance

- Only clean using a damp cloth and mild detergent, do not use bleach or abrasive cleaners.
- From time to time check that there are no loose screws on this unit.
- This product should not be discarded with household waste. Take to your local authority waste disposal centre.

## Handy Hints

- Assemble all parts and bolts loosely during assembly, only once the product is complete should you fully tighten the bolts
- Regularly check and ensure That all bolts and fittings are tightend properly.

**WARNING**  
**In order to help prevent overturning – please follow these instructions**

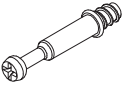


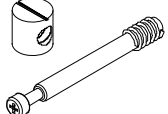

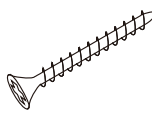
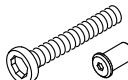
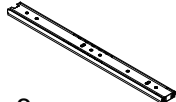
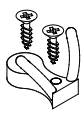

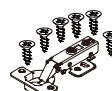



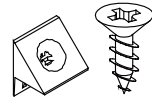

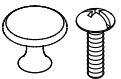
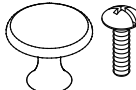
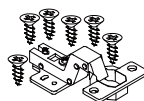

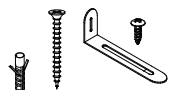

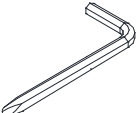
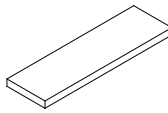
To help prevent product toppling over please follow the below steps:-

- Use the anti tip stap or wall fixing method provided (if applicable)
- Do not allow children to climb or hang on the furniture
- Do not open more than one drawer at a time
- Do not place heavy items in the top drawers
- Do not place heavy items on top of the furniture, unless the furniture has been designed for this purpose

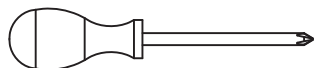
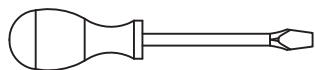
# Components - Fittings

Please check you have all the panels listed below

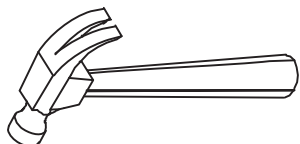
Note: The quantities below are the correct amount to complete the assembly. In some cases more fittings may be supplied than are required.

<p>(A) </p> <p>Cam Bolt x 117+2</p>	<p>(B) </p> <p>6*30mm Dowel x 107+2</p>	<p>(C) </p> <p>Cam lock x 123+2</p>	<p>(D) </p> <p>x 6set</p>
<p>(E) </p> <p>3*12mm Screw x 40+2</p>	<p>(F) </p> <p>4*30mm Screw x 40+2</p>	<p>(G) </p> <p>6*25mm Screw x4</p>	<p>(H) </p> <p>Slide x8</p>
<p>(I) </p> <p>3*16mm Hook x 4set</p>	<p>(J) </p> <p>4*25mm Screw x 12+1</p>	<p>(K) </p> <p>Straight Arm Hinge x 4set</p>	<p>(L) </p> <p>4*40mm Screw x 18+1</p>
<p>(M) </p> <p>6*20mm Dowel x 8+1</p>	<p>(N) </p> <p>Drawer slide x 4</p>	<p>(O) </p> <p>3.5*14mm Back panel clip x 24set</p>	<p>(P) </p> <p>3.5*14mm Screw x 8+1</p>
<p>(Q) </p> <p>4*20mm round handle x 4set</p>	<p>(R) </p> <p>4*20mm Handle x 1set</p>	<p>(S) </p> <p>Half-overlay Hinge x 4set</p>	<p>(T) </p> <p>4*8mm round handle x 4set</p>
<p>(U) </p> <p>Anti-tipping Device x2</p>	<p>(V) </p> <p>Perfect fit x 50</p>	<p>(W) </p> <p>Allen key x 2</p>	<p>(Y) </p> <p>Foot pad x18</p>

**Tools required** Not Included



Phillips screwdriver  
(medium & large)



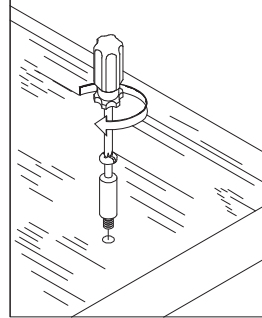
# Using Camlocks

## Step 1

Connect the male camlock as directed in the assembly instructions using a screwdriver.

1

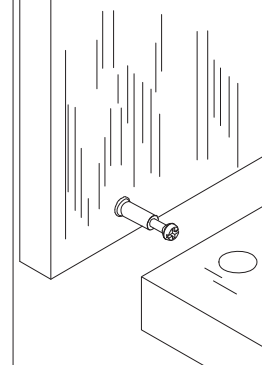
DO NOT OVER TIGHTEN.  
NE PAS SERRER EXCESSIVEMENT.



## Step 2

Push the male camlock into the entry hole.

2

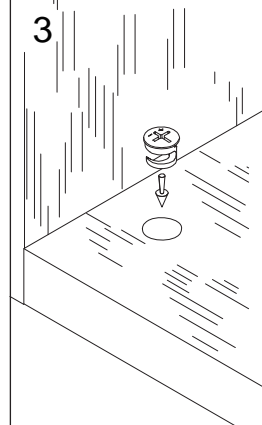


## Step 3

Insert the female camlock as shown in the instruction.

Note: ensure that the arrow on the top of the camlock points towards the entry hole for the male camlock.

3



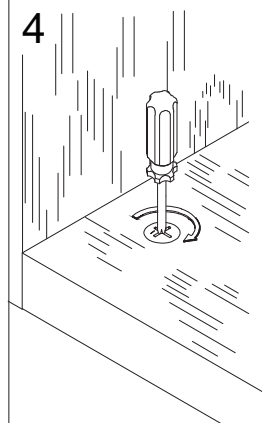
## Step 4

Turn the female camlock clockwise with a screwdriver.

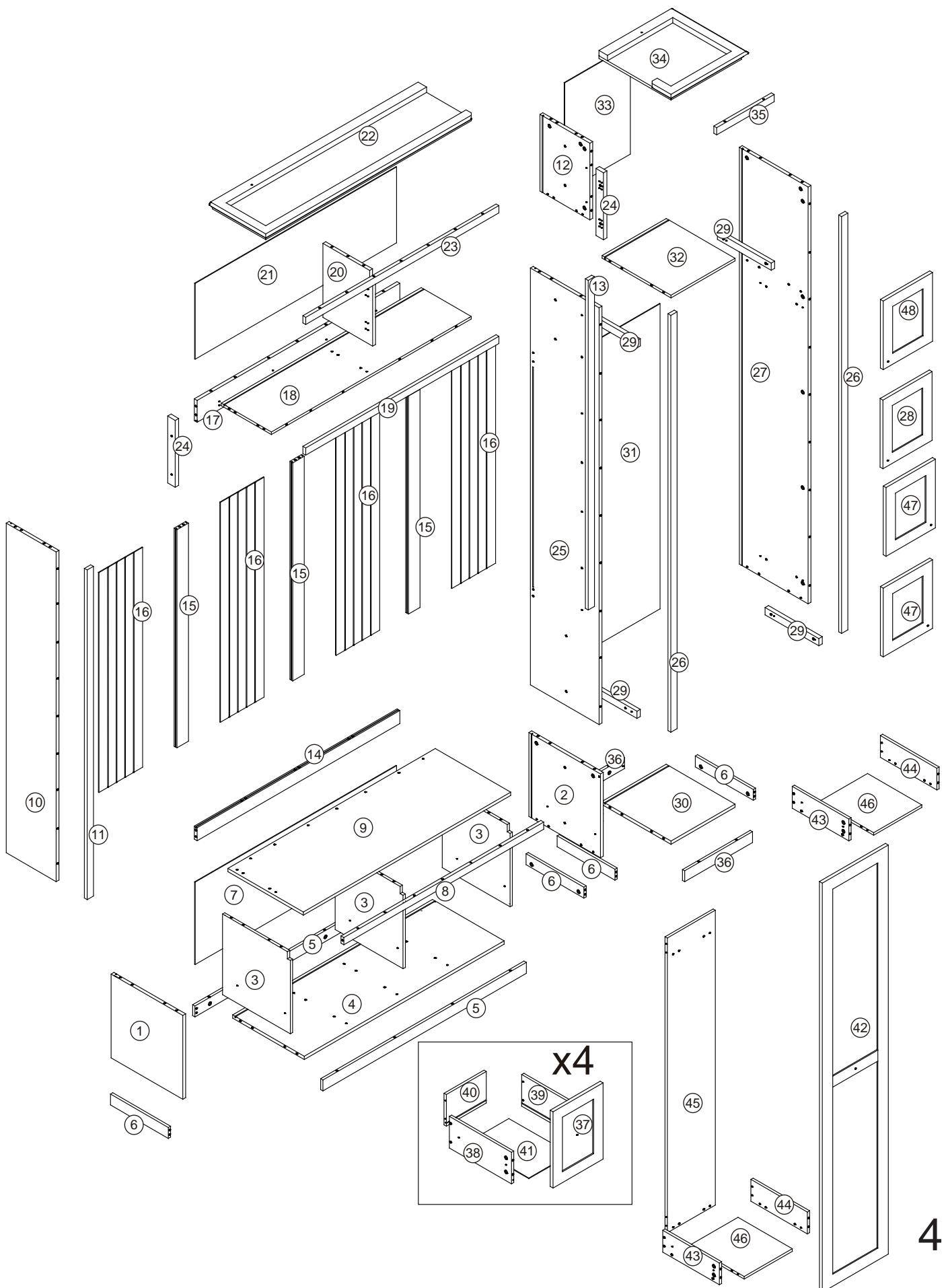
You should feel a click when the camlock is locked in place.

The joint is now secure.

4



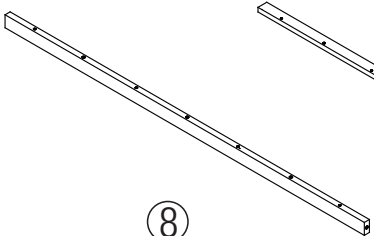
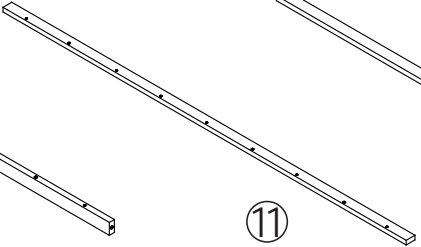
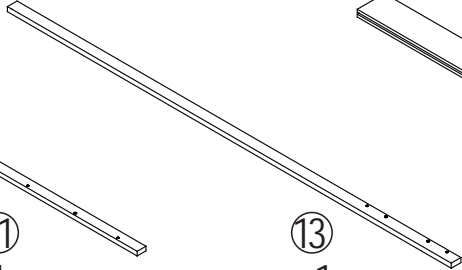
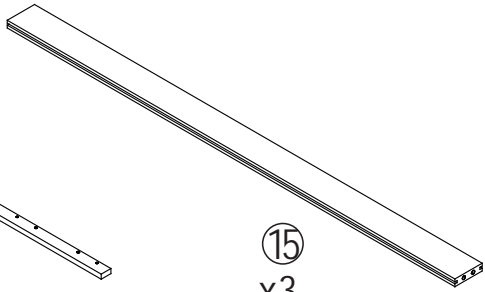
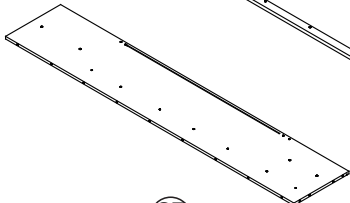
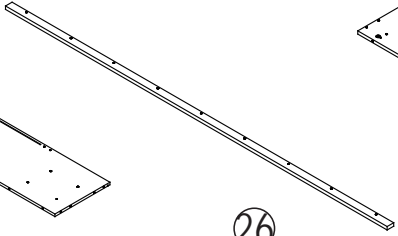
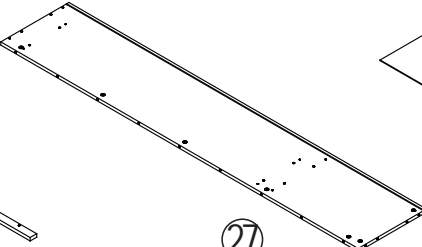
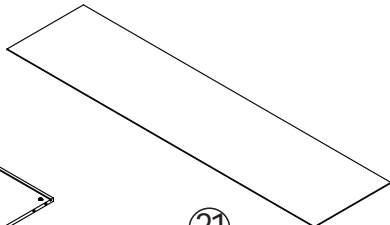
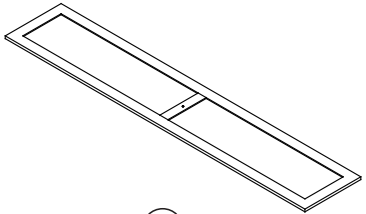
# Assembly Instructions



# PART LIST

This product comes in 3 box.

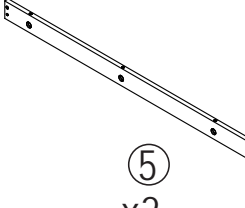
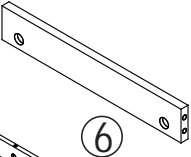
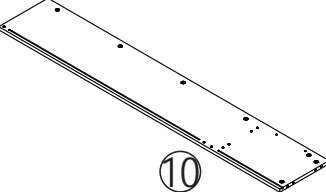
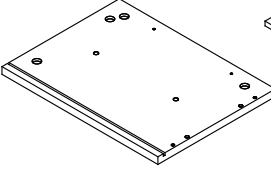
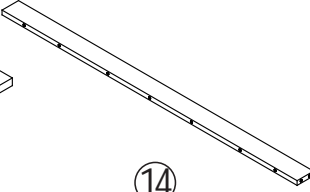
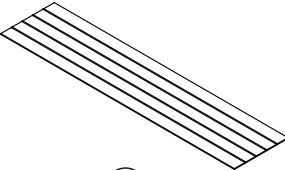
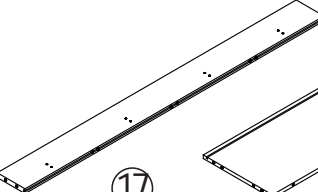
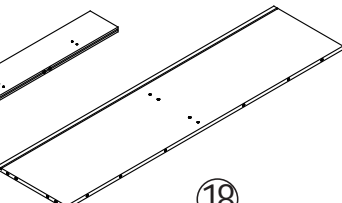
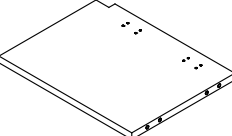
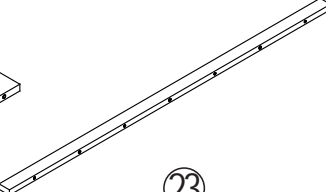
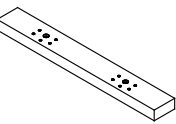
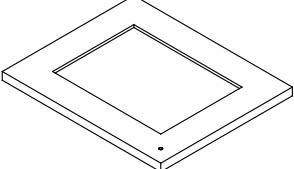
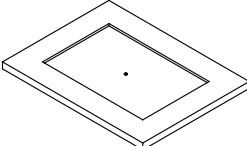
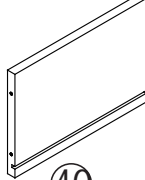
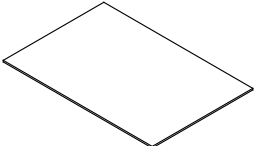
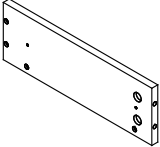
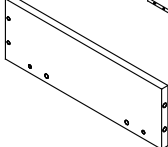
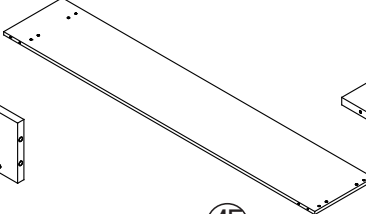
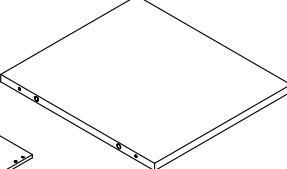
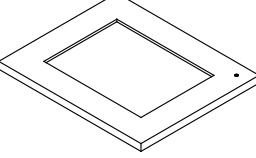
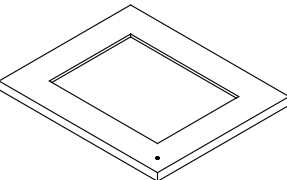
N893P446539

 <p>⑧ x1 1530x365x12mm</p>	 <p>⑪ x1 1513x33x15mm</p>	 <p>⑬ x1 1513x33x15mm</p>	 <p>⑮ x3 1001x61x15mm</p>
 <p>⑲ x1 1913x365x15mm</p>	 <p>⑳ x2 1913x33x15mm</p>	 <p>㉑ x1 1913x365x15mm</p>	 <p>㉓ x1 1398x348x3mm</p>
 <p>㉔ x1 1876x350x15mm</p>			

# PART LIST

This product comes in 3 box.

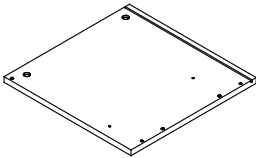
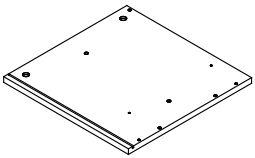
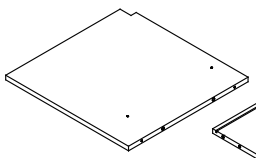
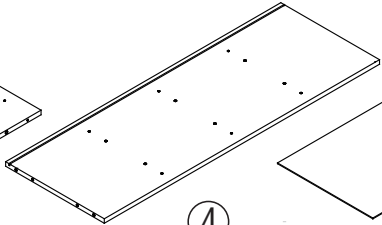
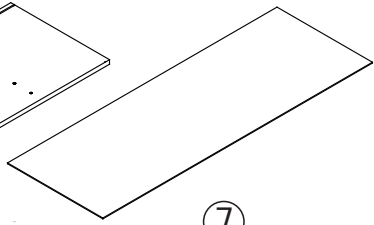
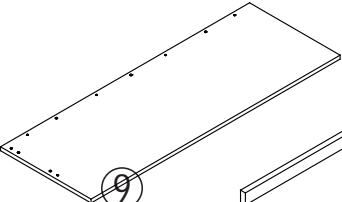
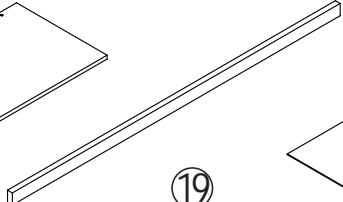
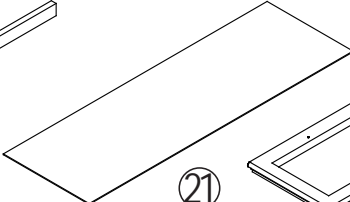
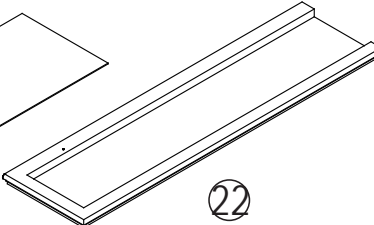
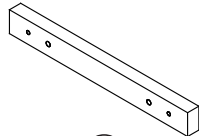
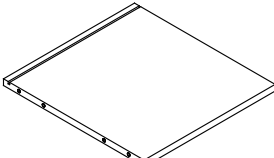
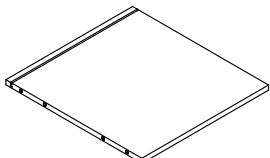
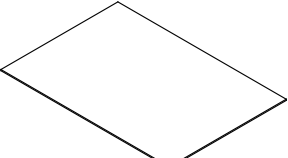
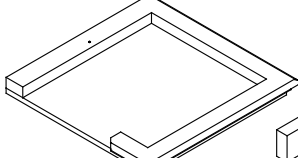
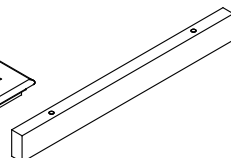
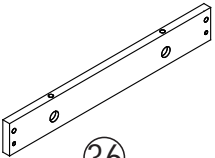
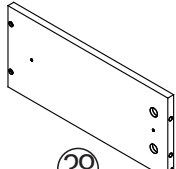
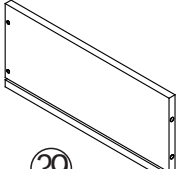

N893P446540

 ⑤ x2 1079x50x15mm	 ⑥ x4 300x50x15mm	 ⑩ x1 1513x265x15mm	 ⑫ x1 352*265*15mm	 ⑭ x1 1075x60x15mm
 ⑯ x4 1010x231x3mm	 ⑰ x1 1075x100x15mm	 ⑱ x1 1060x265x12mm	 ⑳ x1 340x264x15mm	 ㉓ x1 1024x33x15mm
 ㉔ x2 307x40x18mm	 ㉘ x1 315x261x15mm	 ㉟ x4 350x265x15mm	 ㉒ x4 212x146x12mm	 ㉙ x4 220x326x3mm
 ㉛ x2 300x100x12mm	 ㉜ x2 300x100x12mm	 ㉝ x1 1351x255x12mm	 ㉞ x2 288x255x12mm	 ㉟ x2 315x261x15mm
 ㉠ x1 315x261x15mm				

# PART LIST

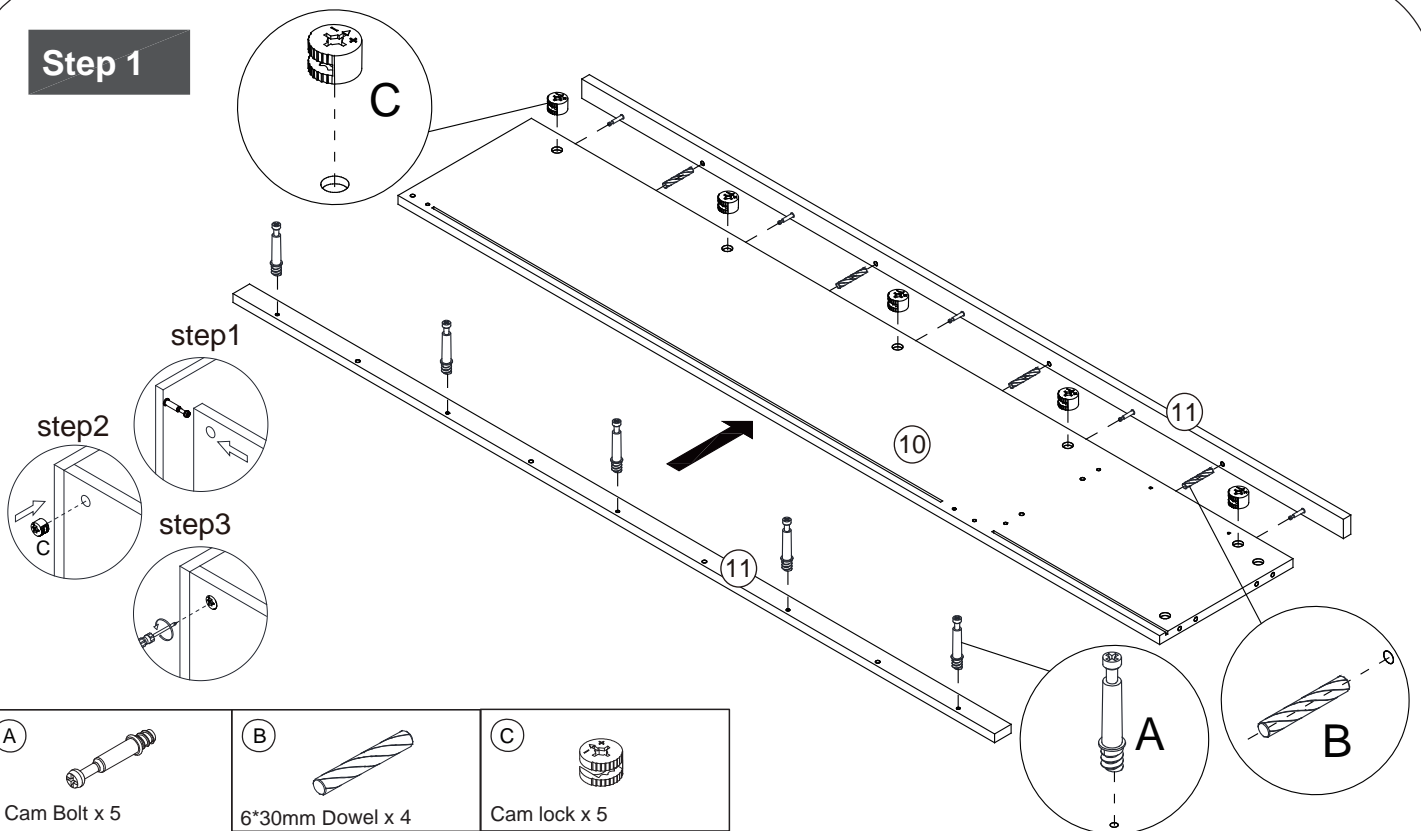
This product comes in 3 box.

N893P446541

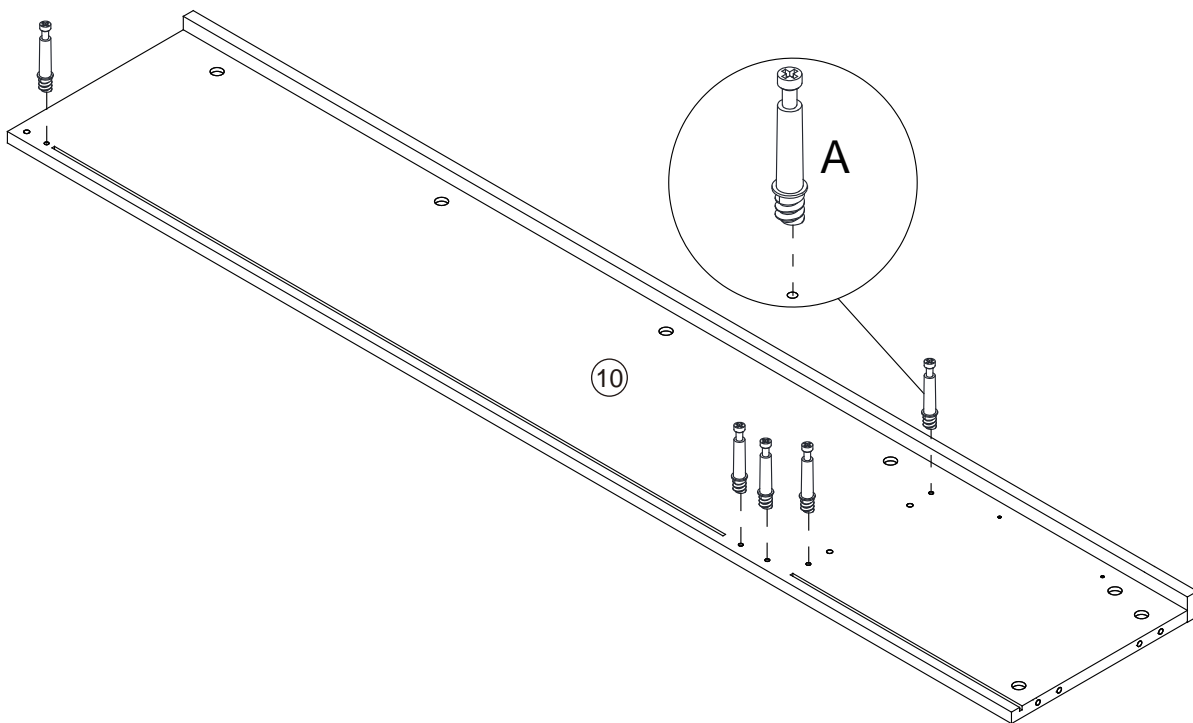
 ① x1 385x380x15mm	 ② x1 385x380x15mm	 ③ x3 370x350x12mm	 ④ x1 1060x380x15mm	 ⑦ x1 1068x348x3mm
 ⑨ x1 1100x400x15mm	 ⑱ x1 1024x33x15mm	 ⑳ x1 1068x378x3mm	 ㉒ x1 1090x282x12mm	 ㉙ x4 285x40x18mm
 ⑳ x1 340x365x15mm	 ㉓ x1 340x365x12mm	 ㉔ x1 502*348*3mm	 ㉕ x1 374*382*12mm	 ㉖ x1 305*33*15mm
 ㉗ x2 359x50x15mm	 ㉘ x4 330x146x12mm	 ㉙ x4 330*146*12mm	 Hardware kit x1	

# Assembly Instructions

## Step 1

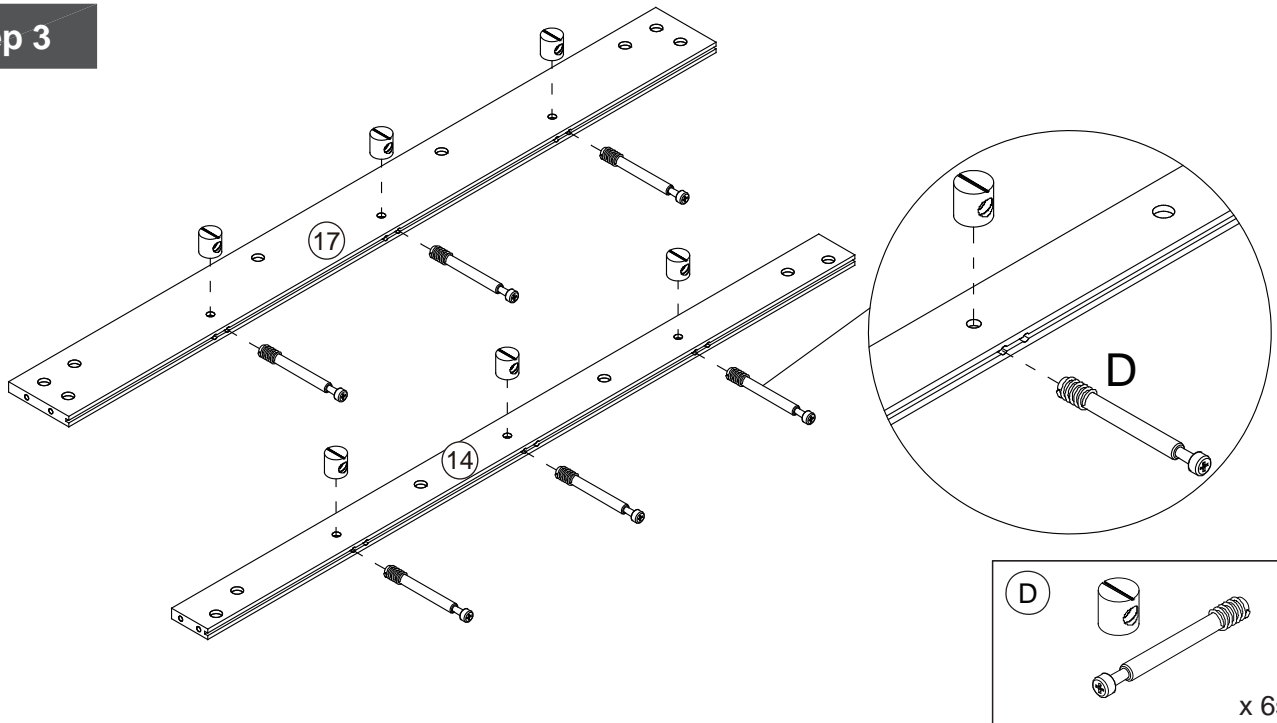


## Step 2

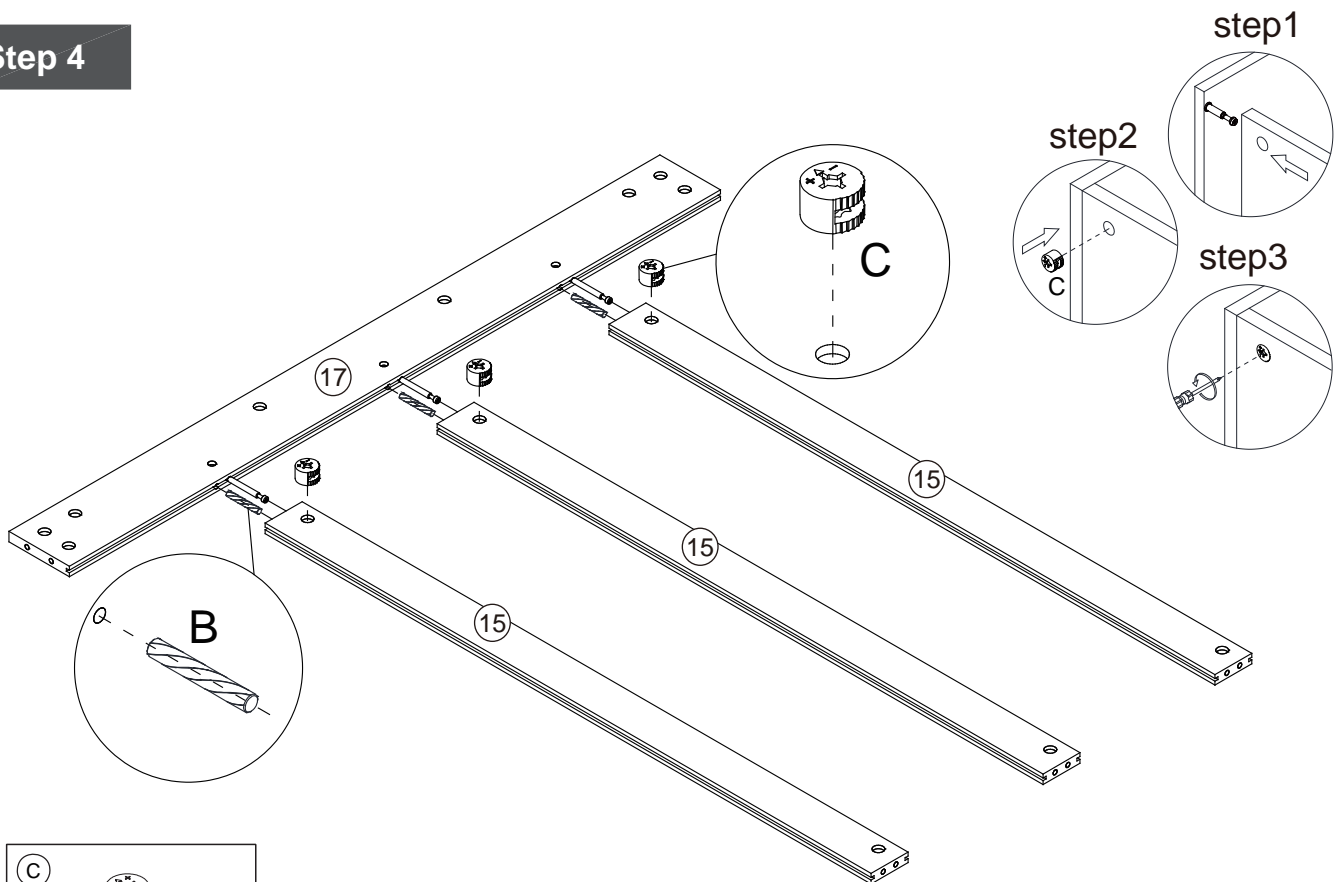


# Assembly Instructions

## Step 3

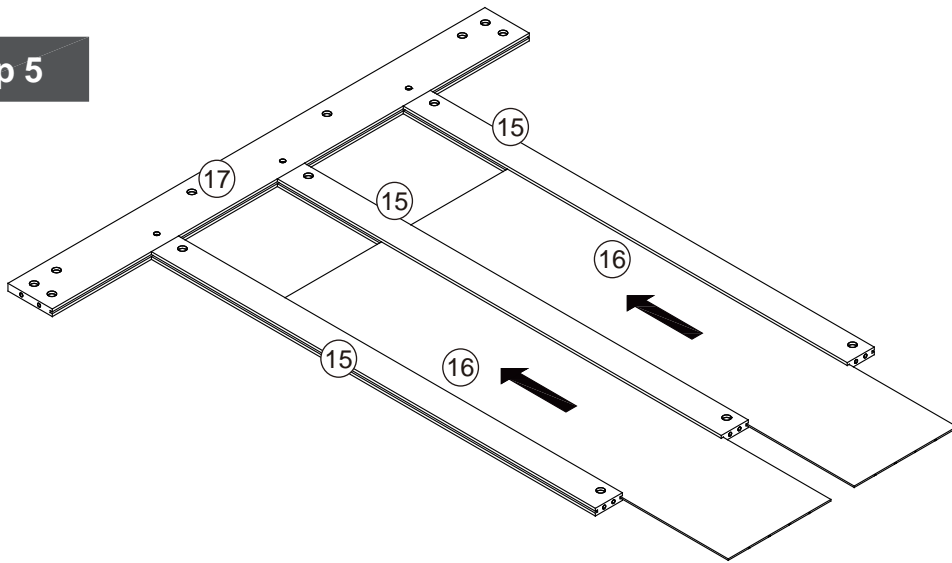


## Step 4

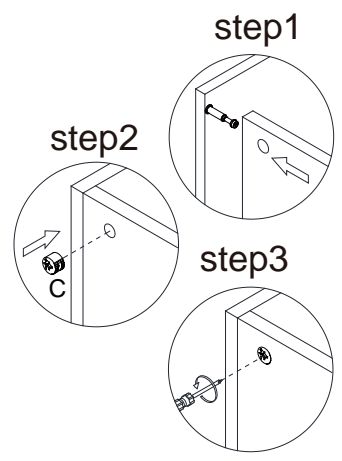
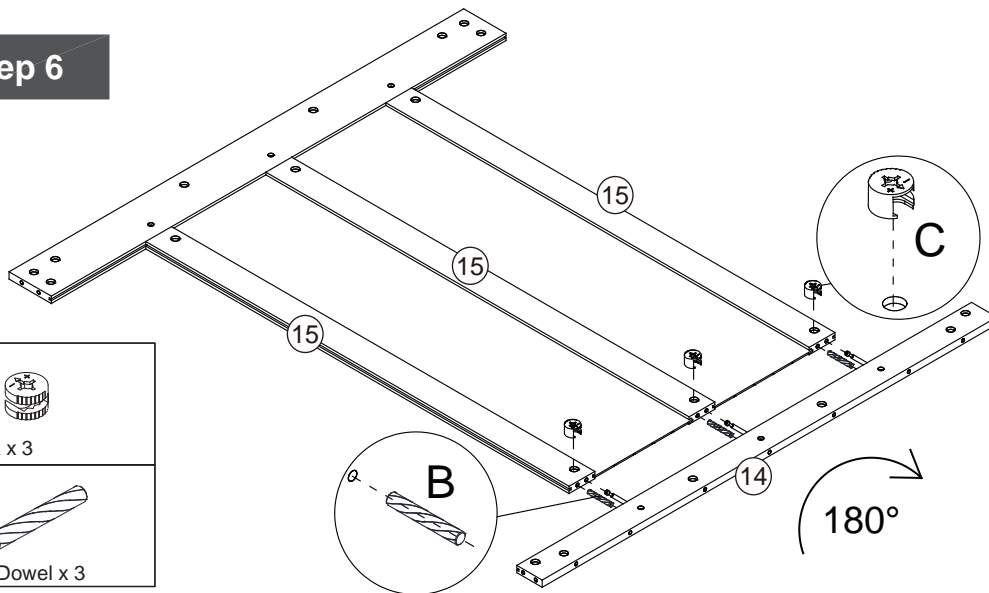




# Assembly Instructions

## Step 5

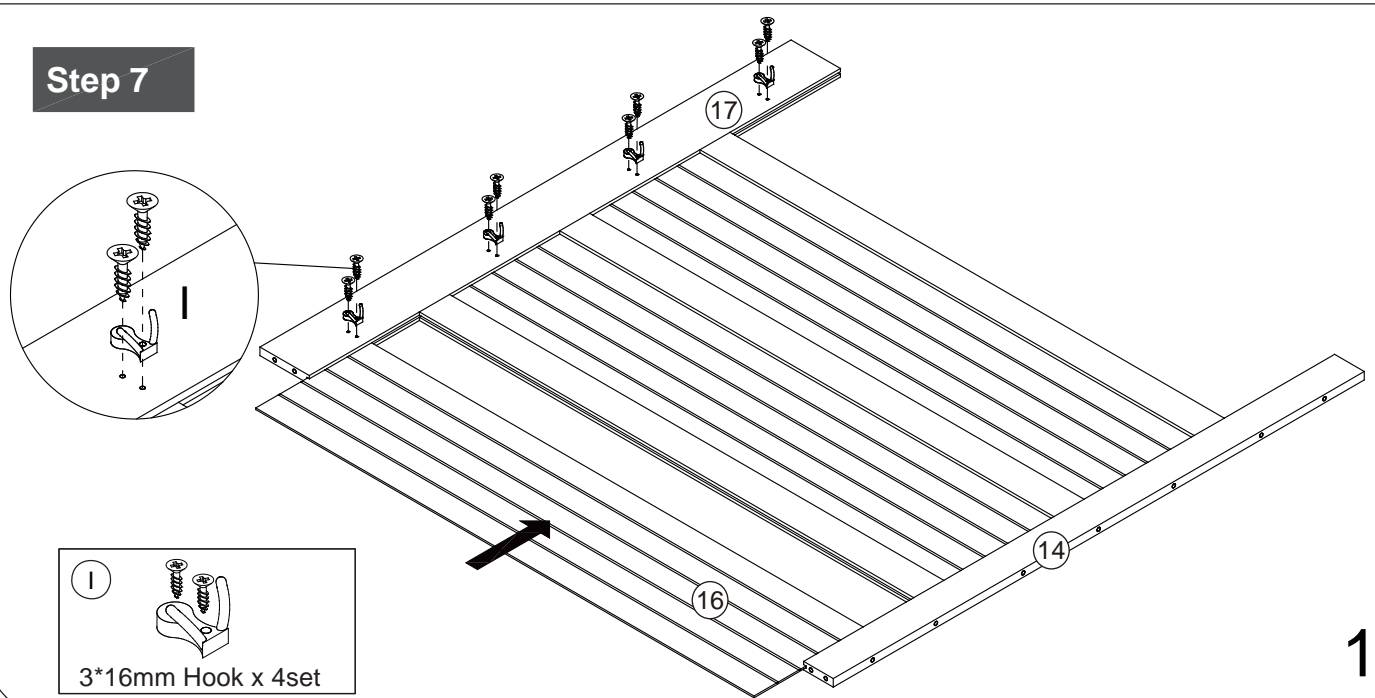



## Step 6



- (C)  Cam lock x 3
- (B)  6\*30mm Dowel x 3

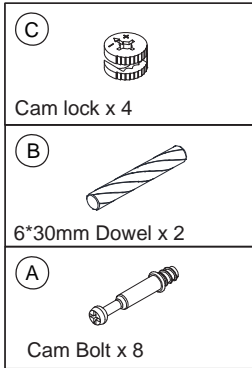
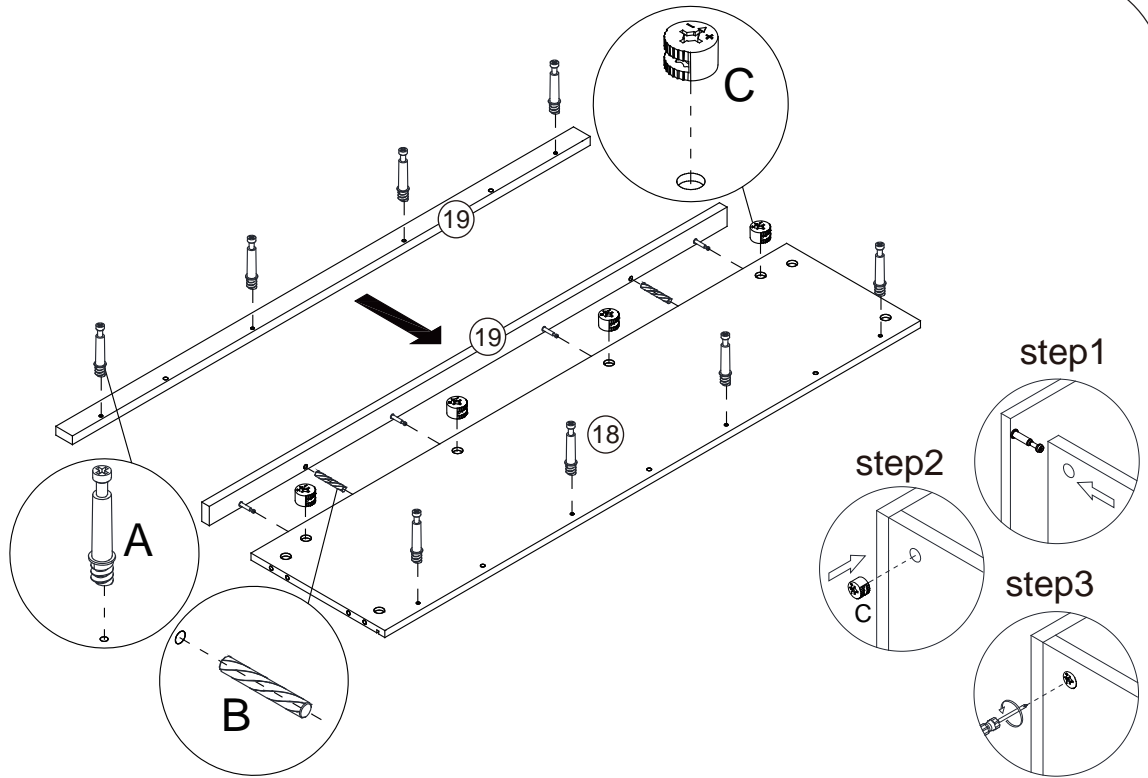
## Step 7



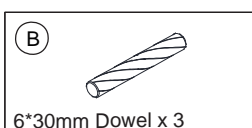
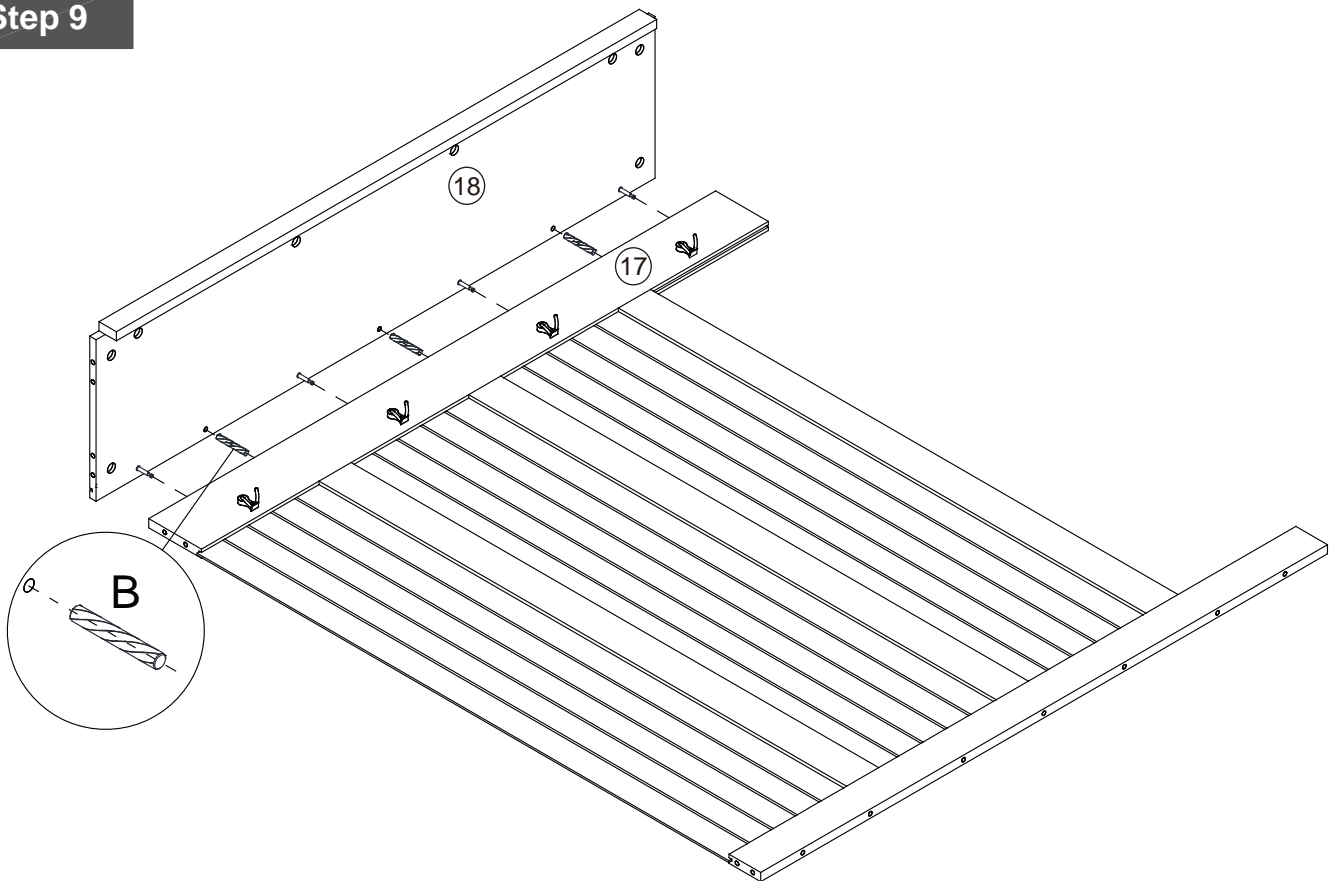
- (I)  3\*16mm Hook x 4set

# Assembly Instructions

## Step 8

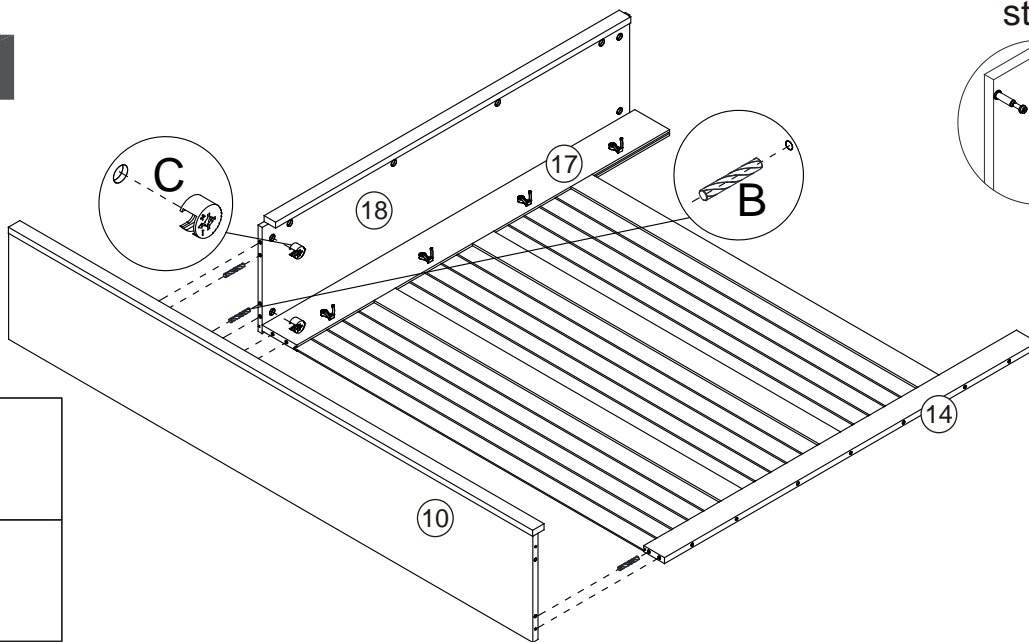


## Step 9

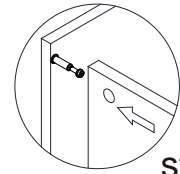


# Assembly Instructions

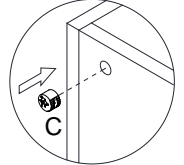
## Step 10



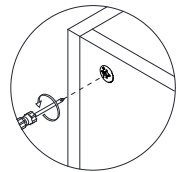
step1



step2



step3



C



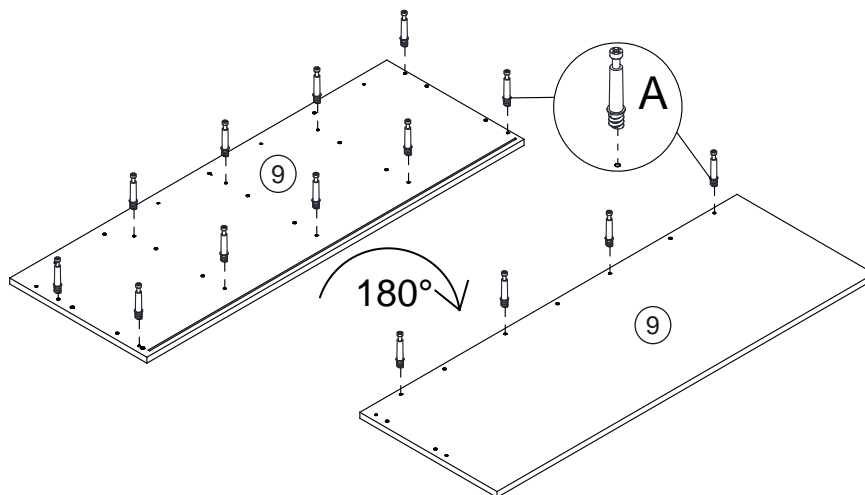
Cam lock x 2

B



6\*30mm Dowel x 3

## Step 11

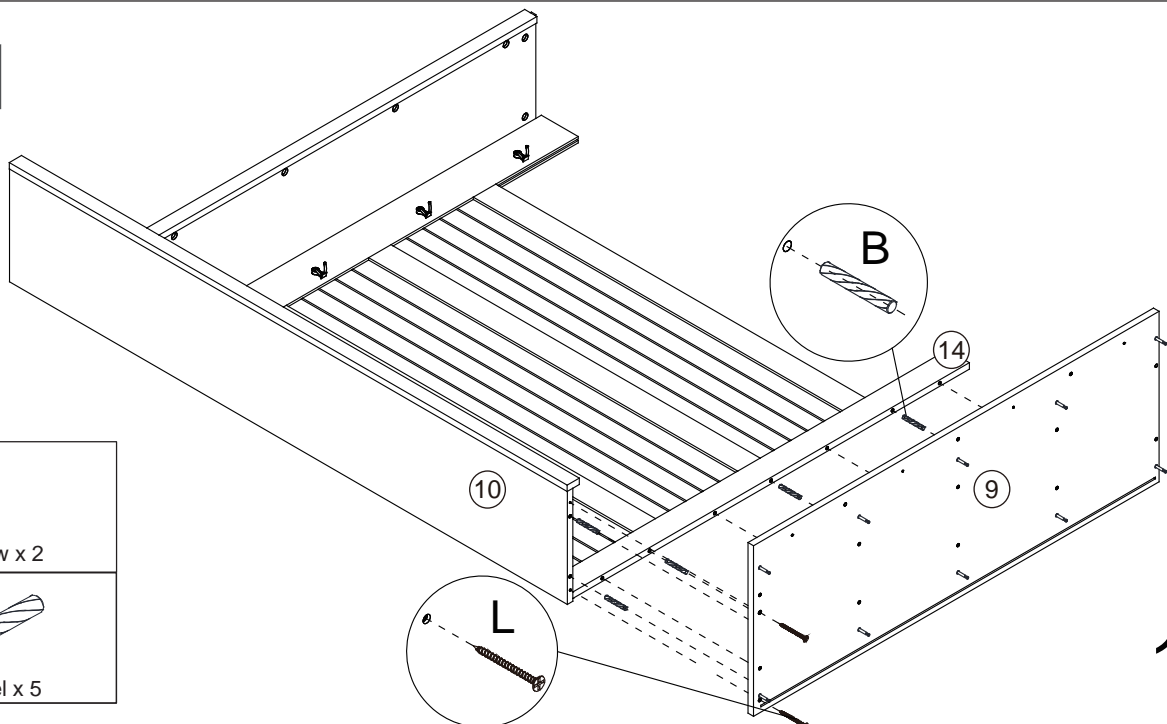


A



Cam Bolt x 14

## Step 12



L



4\*40mm Screw x 2

B

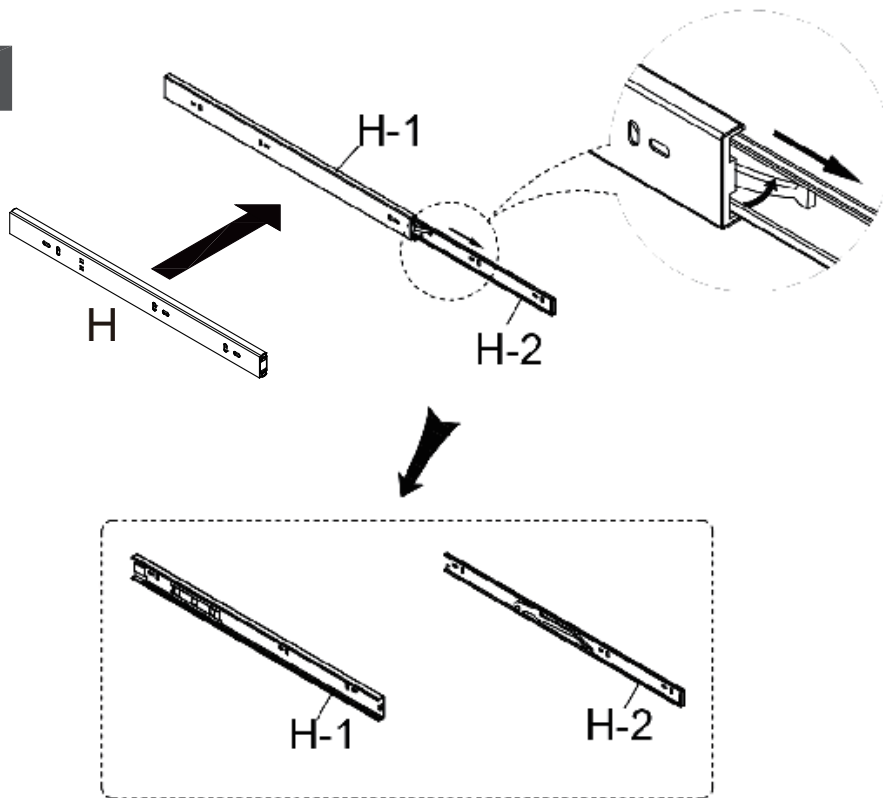


6\*30mm Dowel x 5

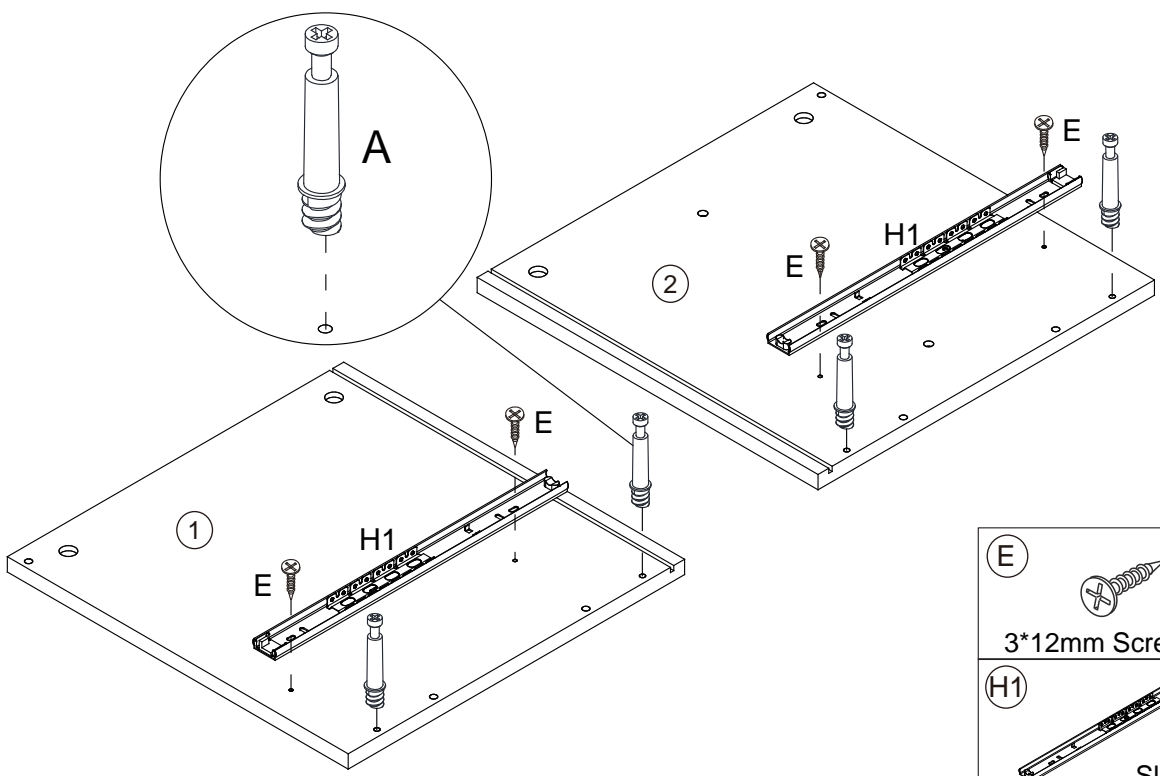
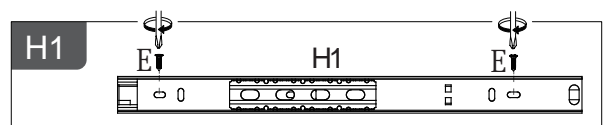
# Assembly Instructions



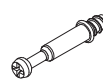
Step 13

x8



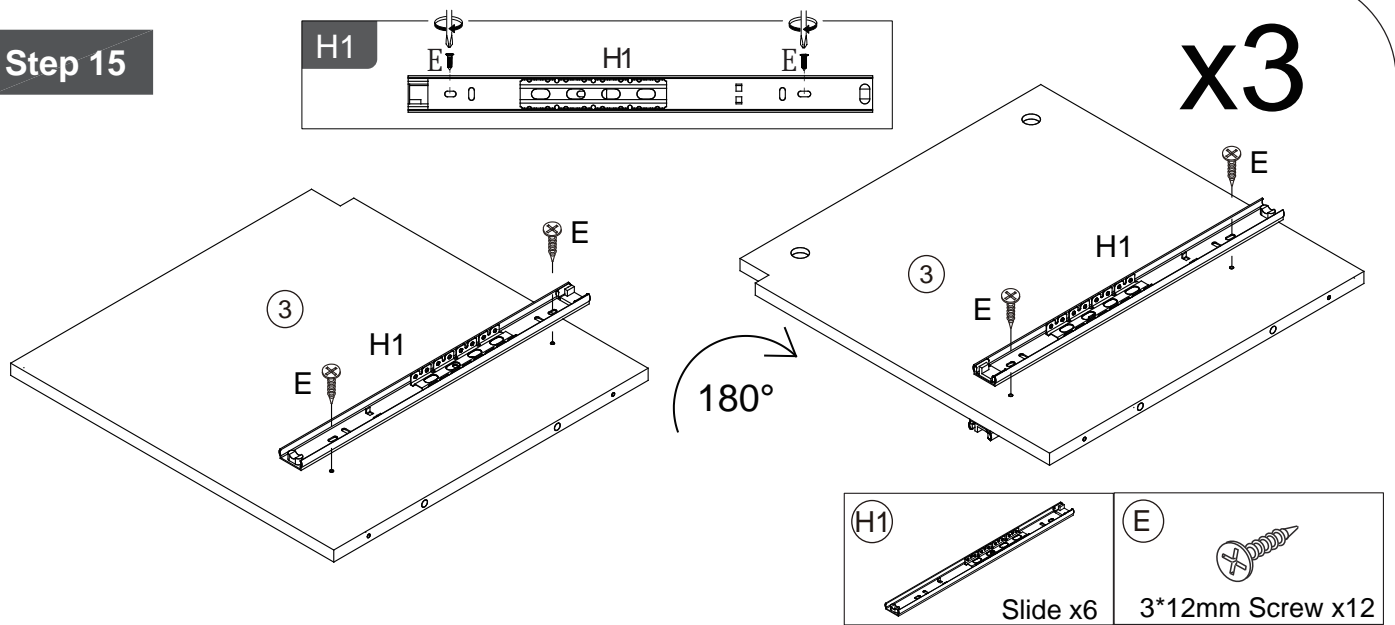
Step 14



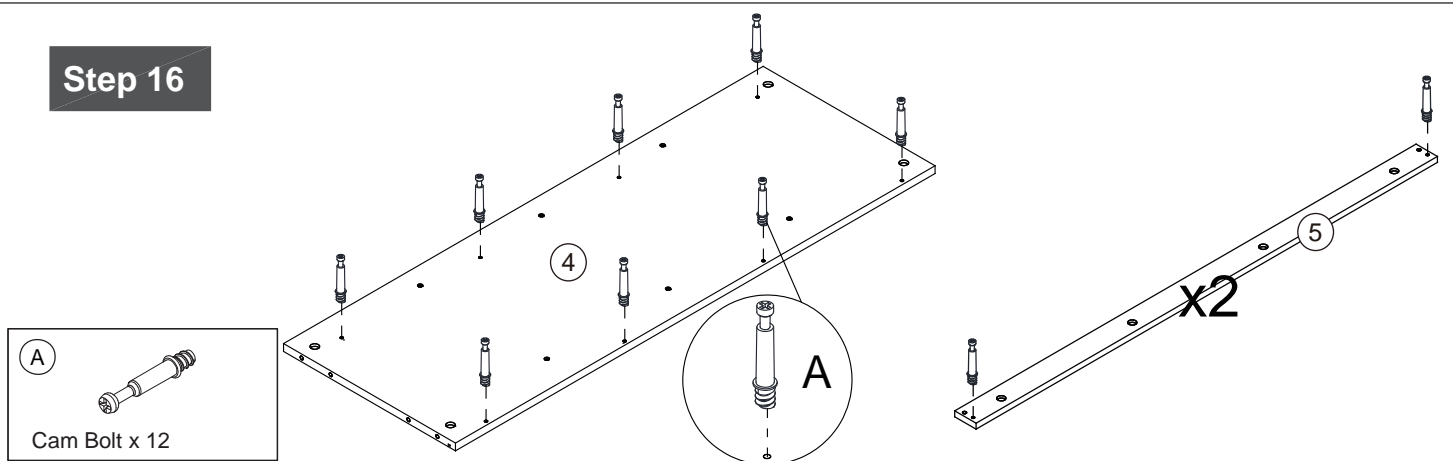
- (E)  3\*12mm Screw x4
- (H1)  Slide x2
- (A)  Cam Bolt x 4

# Assembly Instructions

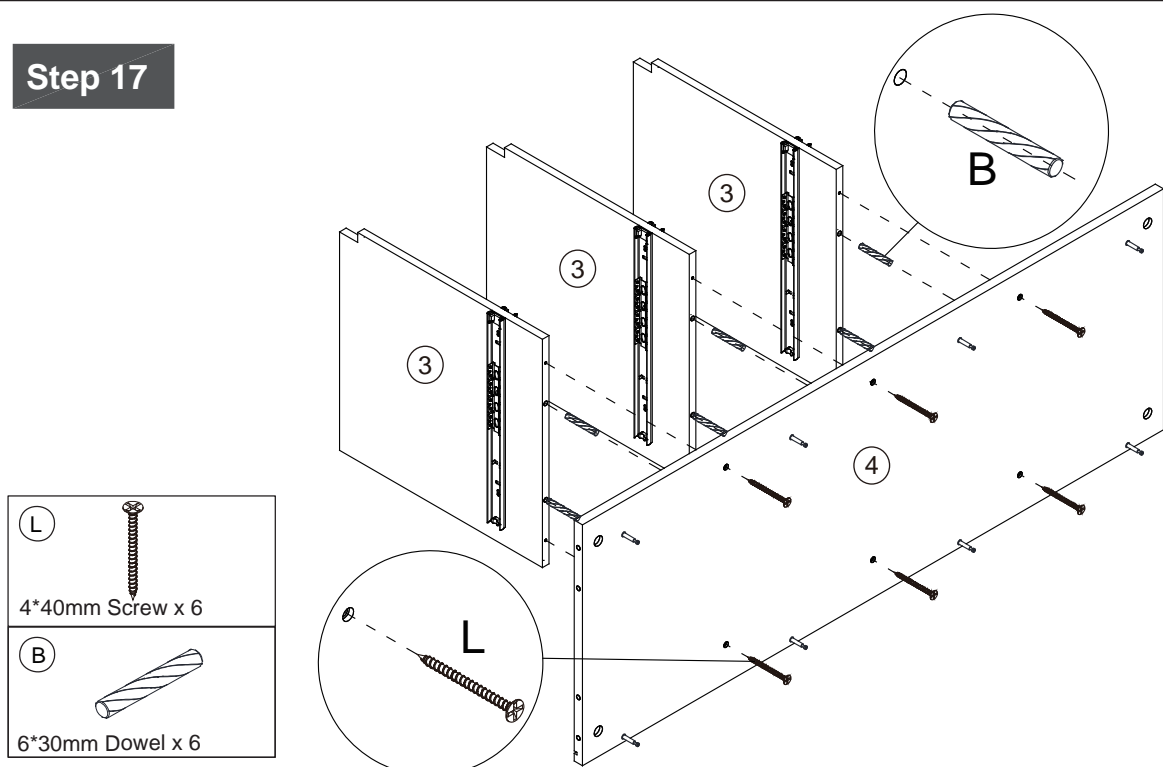
## Step 15



## Step 16

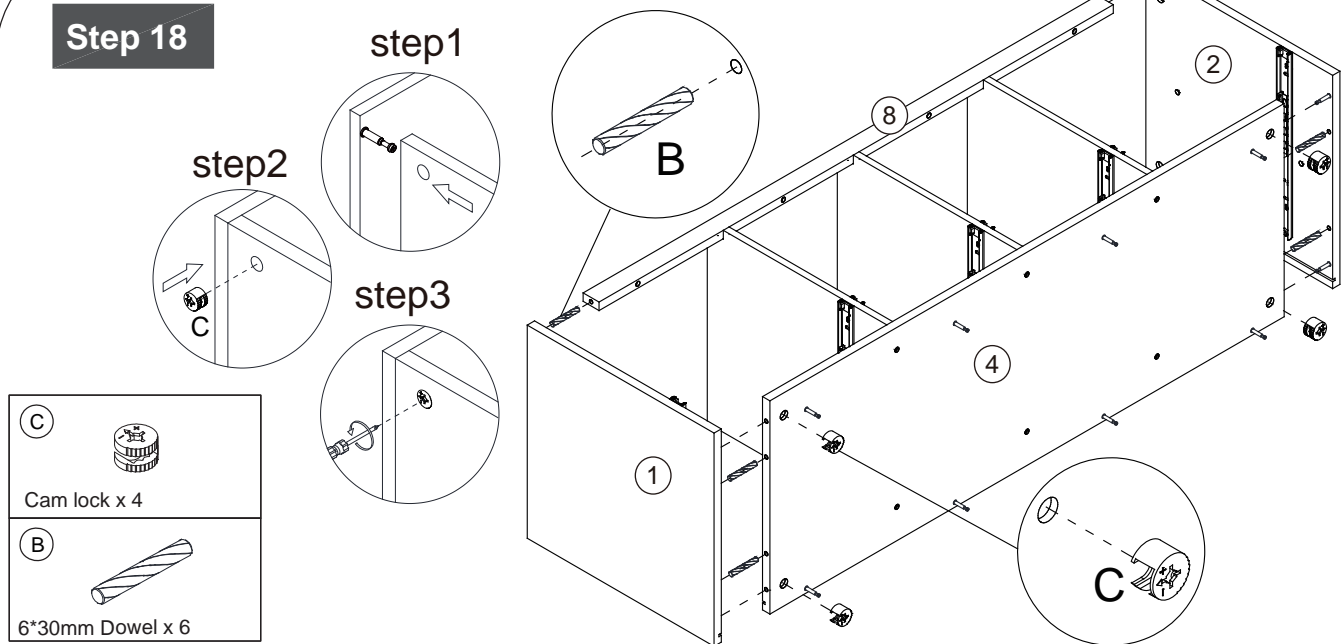


## Step 17

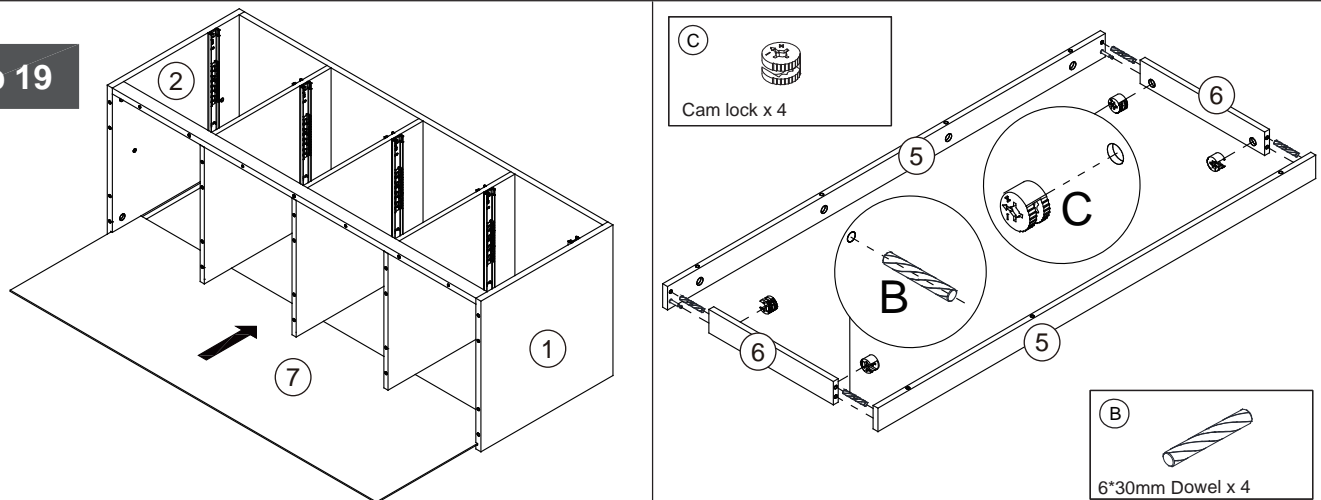


# Assembly Instructions

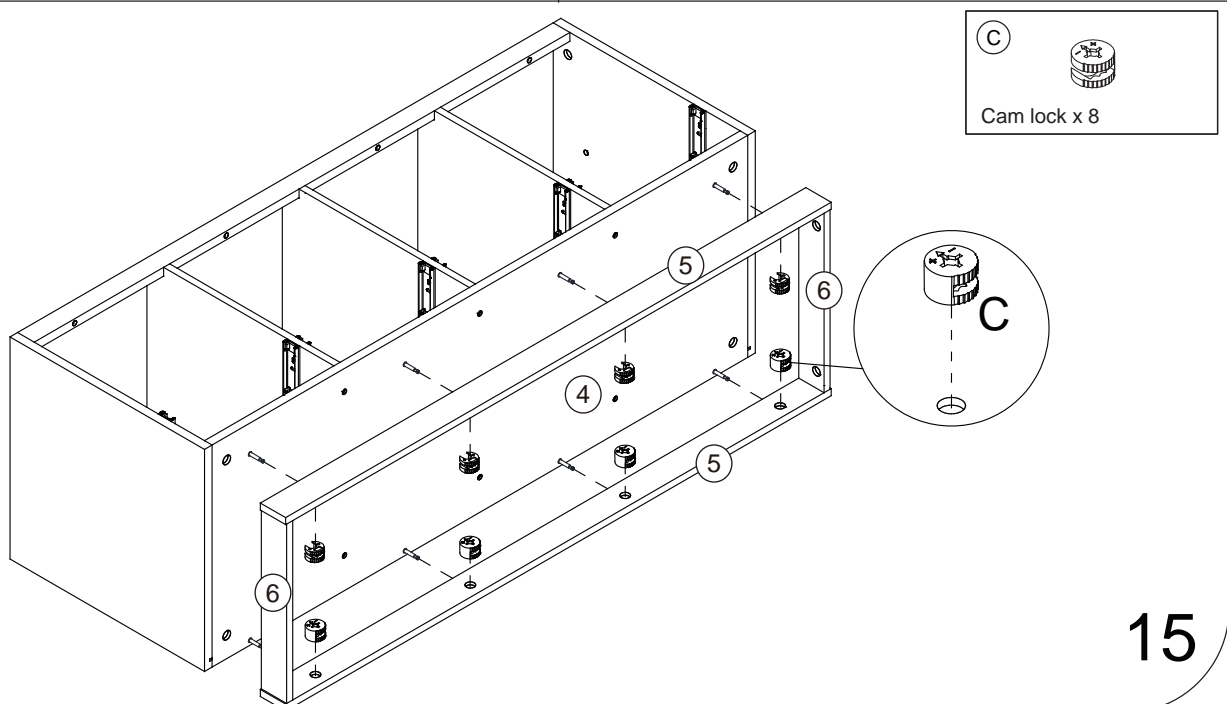
## Step 18



## Step 19

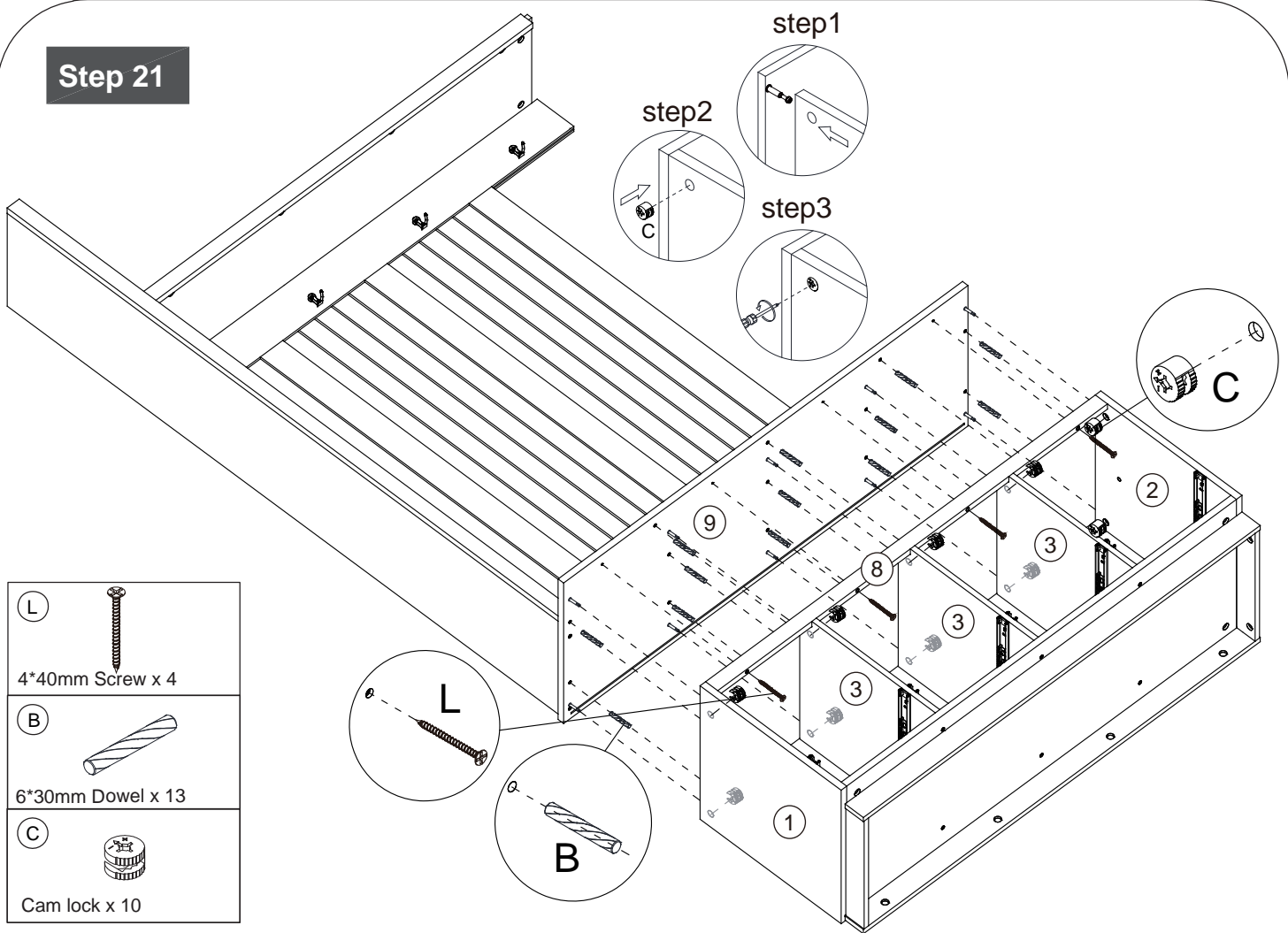


## Step 20

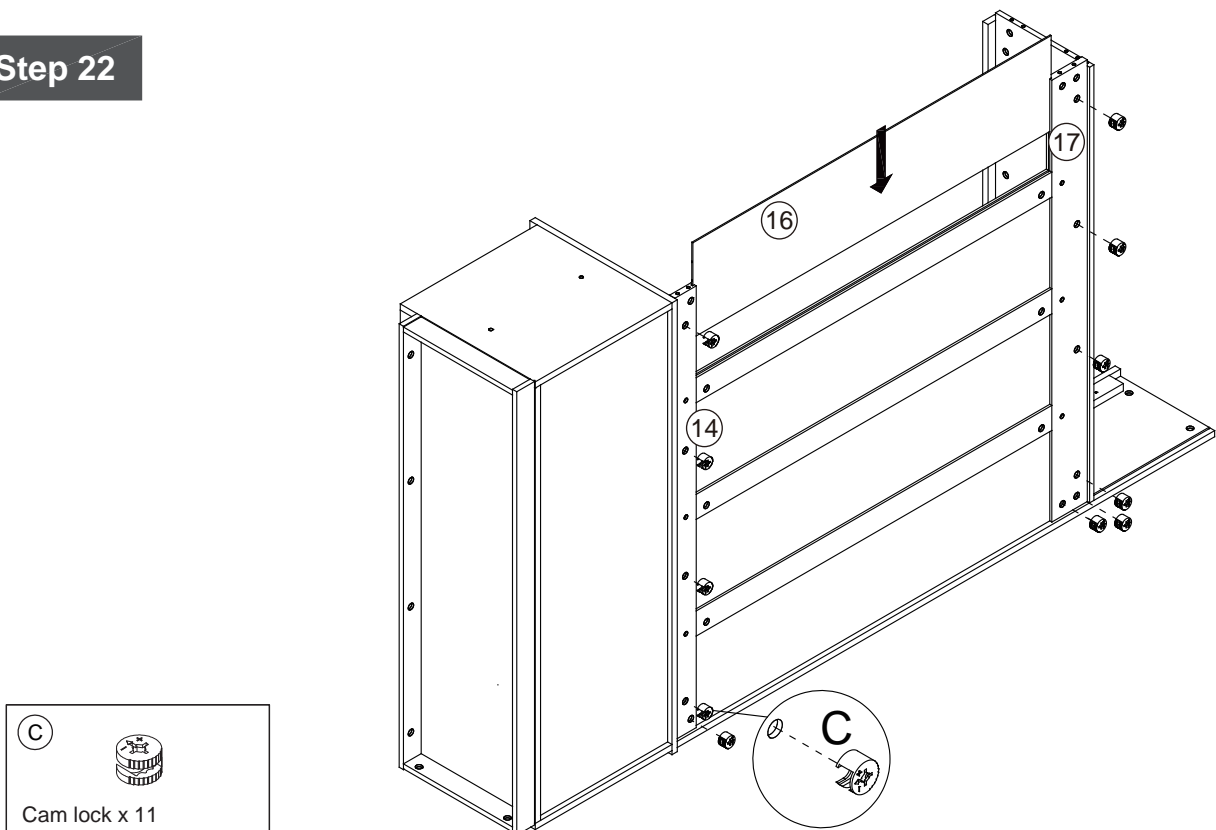


# Assembly Instructions

## Step 21

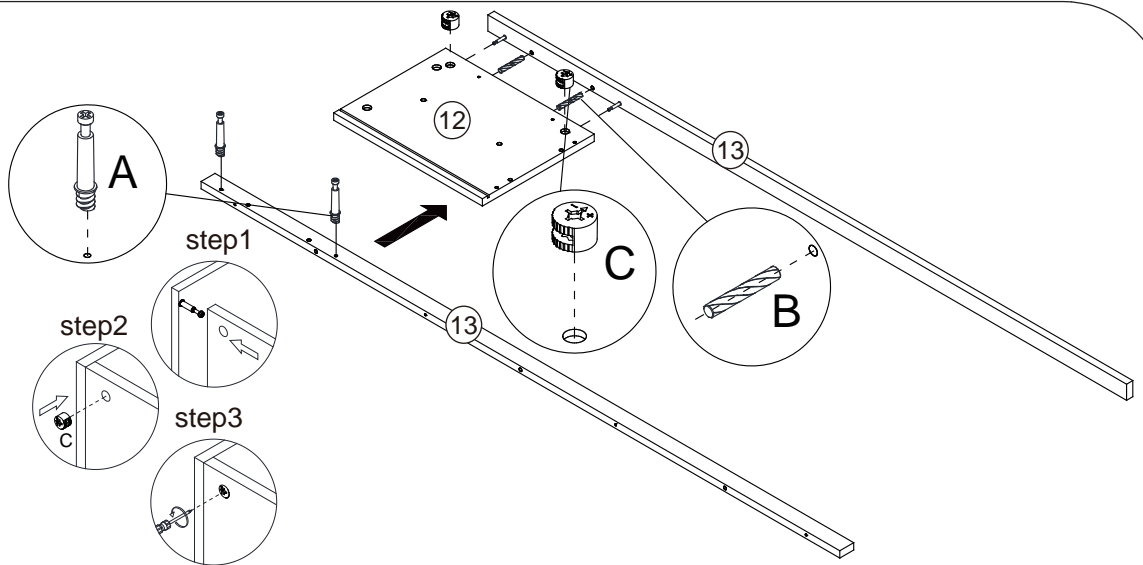
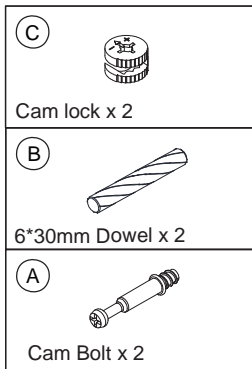


## Step 22

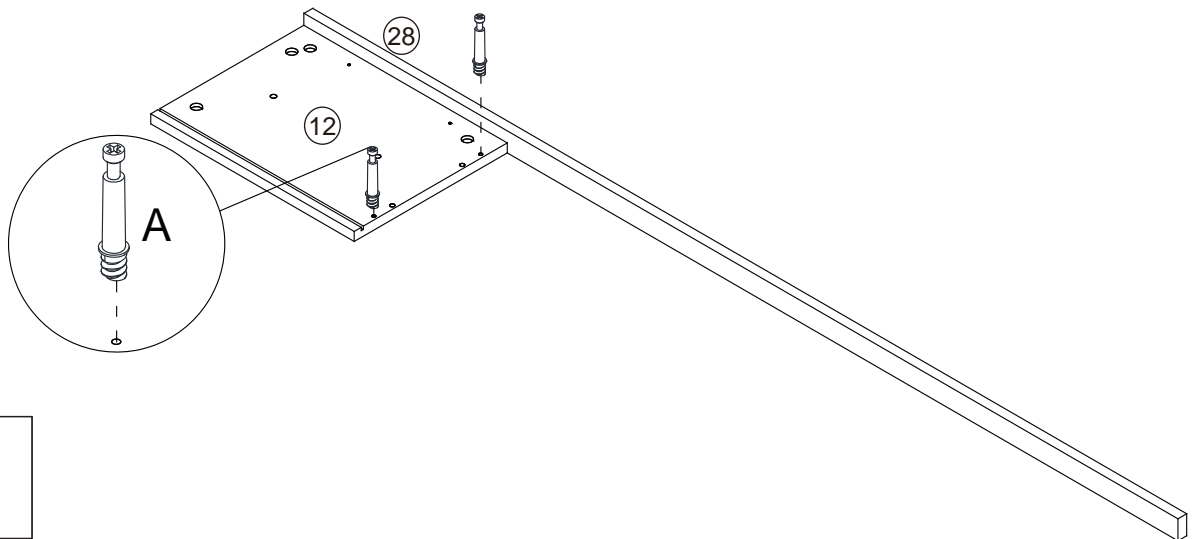
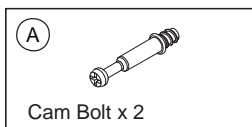


# Assembly Instructions

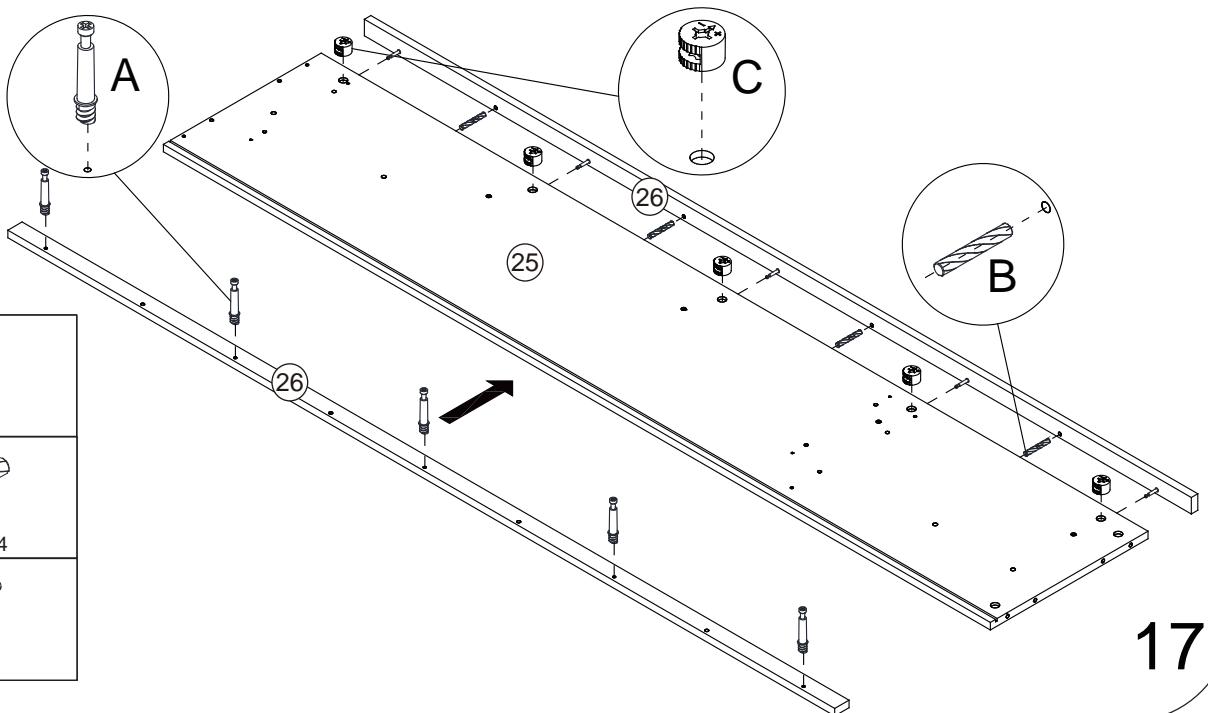
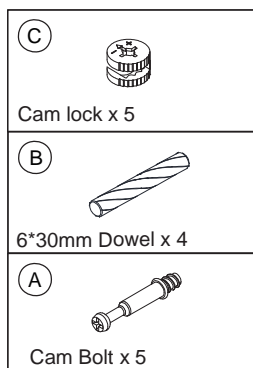
## Step 23



## Step 24

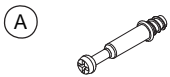
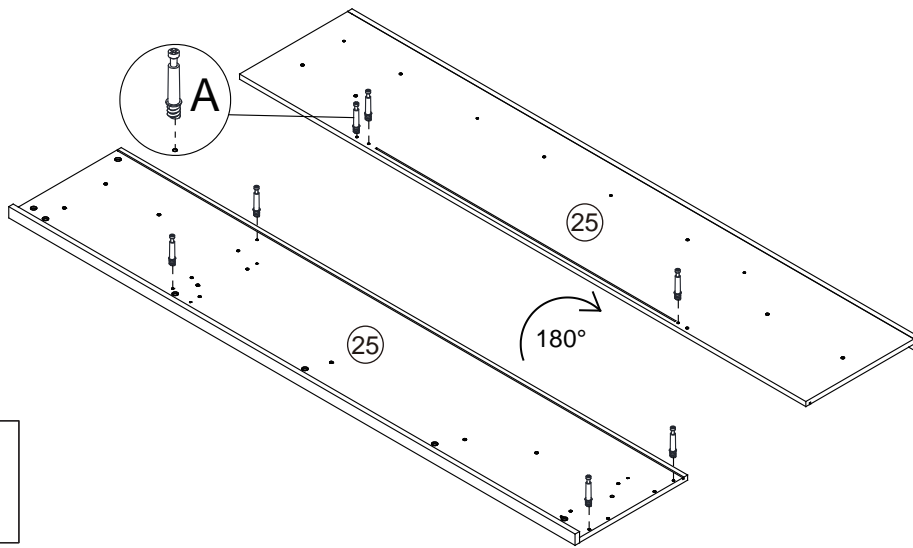


## Step 25



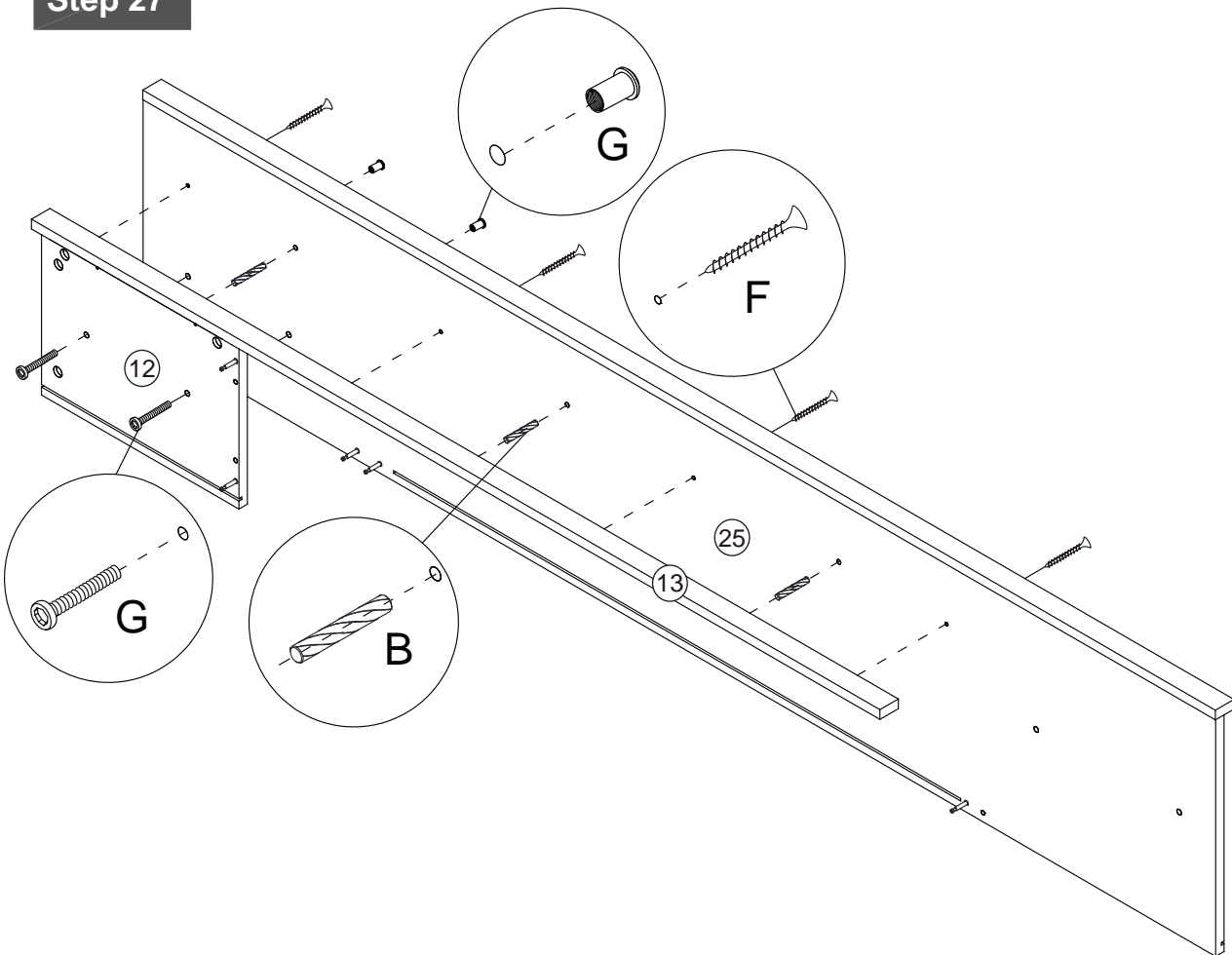
# Assembly Instructions

## Step 26



Cam Bolt x 7

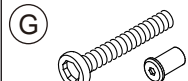
## Step 27



6\*30mm Dowel x 3



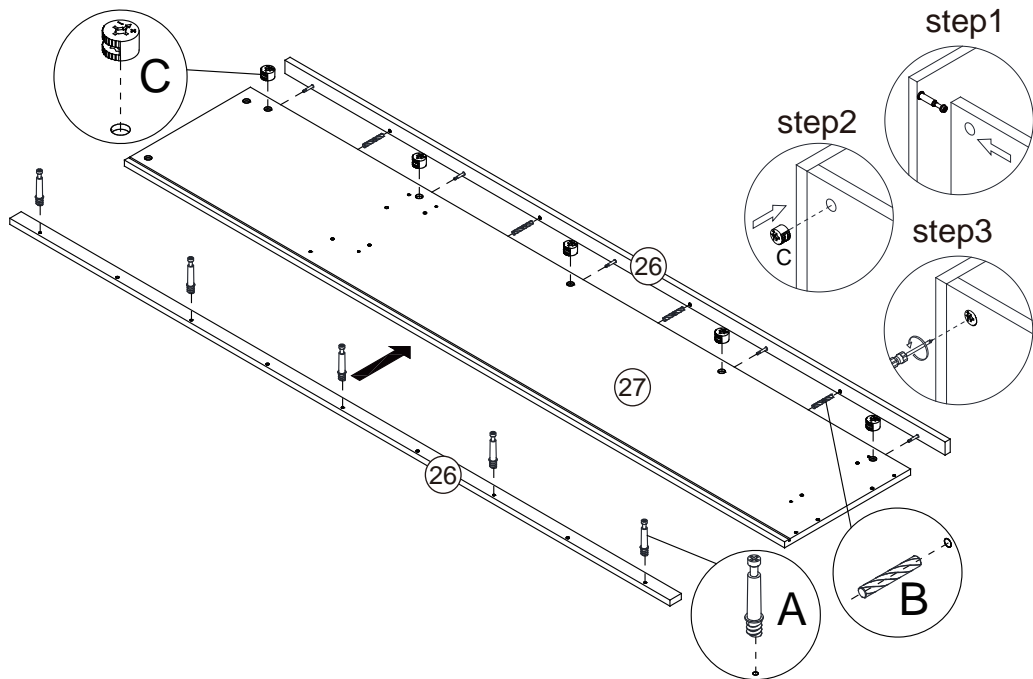
4\*30mm Screw x4



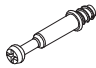


6\*25mm Screw x2

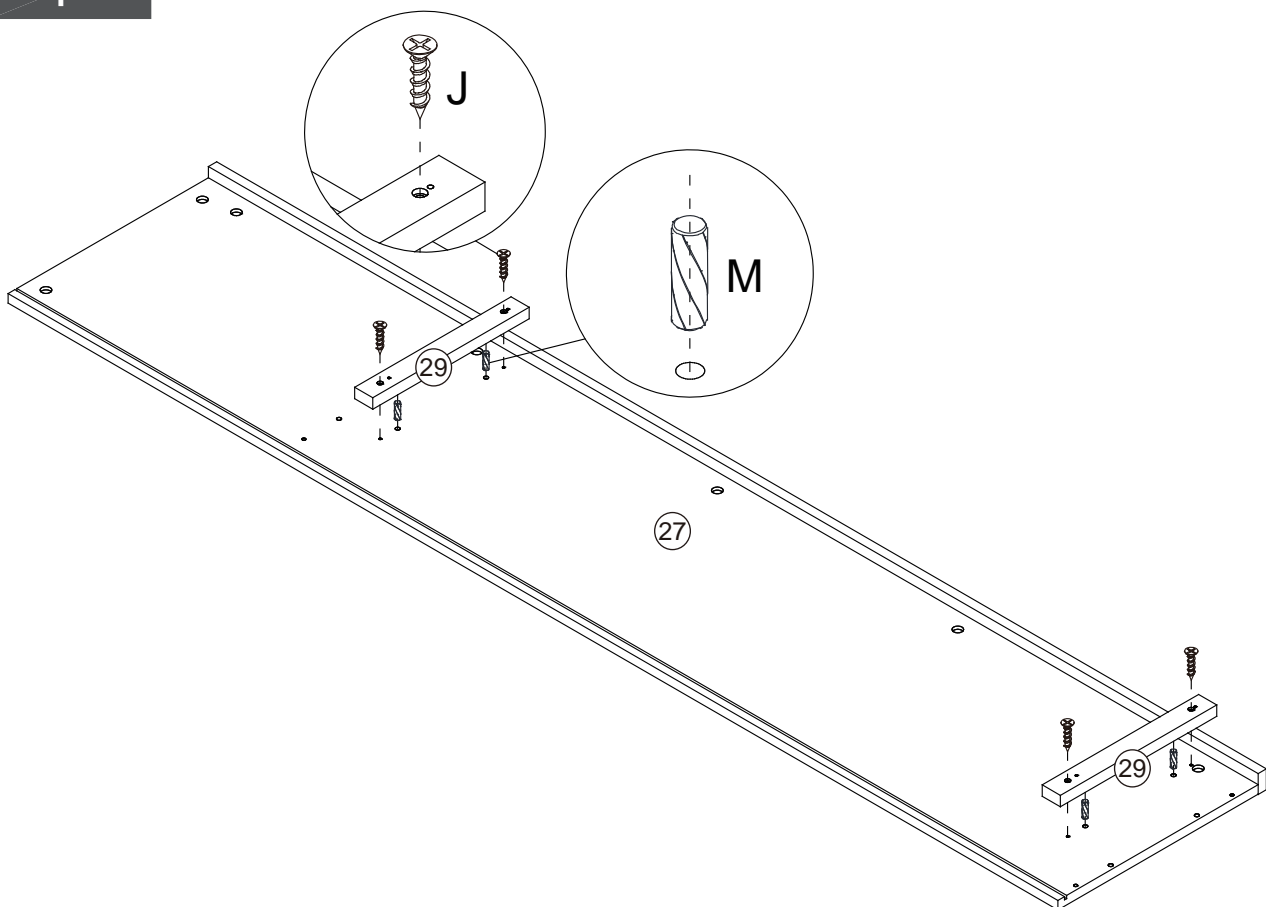
# Assembly Instructions



## Step 28



(C)	
Cam lock x 5	
(B)	
6*30mm Dowel x 4	
(A)	
Cam Bolt x 5	

## Step 29

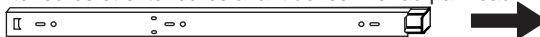


(J)		(M)	
4*25mm Screw x4		6*20mm Dowel x 4	

# Assembly Instructions

## Step 30

Ziehen Sie die inneren und äußeren Schubladenführungen auseinander, bevor Sie sie an den Platten befestigen  
Tirez les glissières de tiroir intérieures et extérieures avant de les fixer au panneau

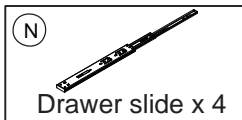
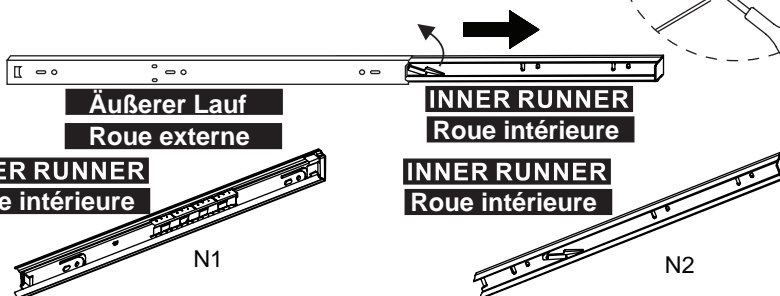


Schieben Sie Schubladenführungen auseinander, bis das Schubladenschloss sichtbar ist, wie abgebildet.  
Faites glisser les glissières du tiroir jusqu'à ce que vous puissiez voir la serrure du tiroir, comme illustré.



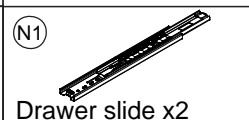
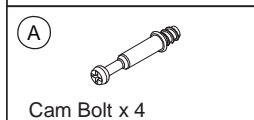
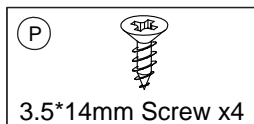
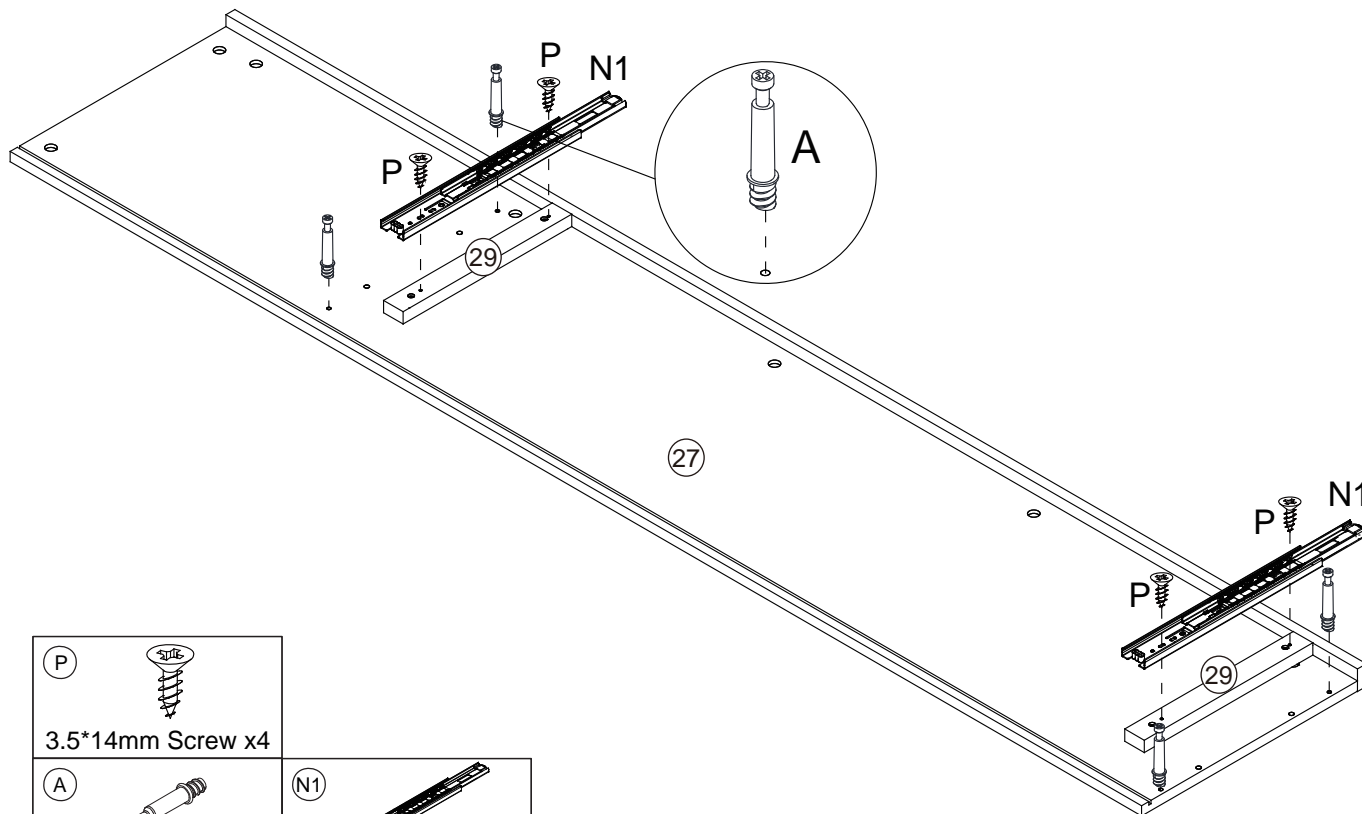
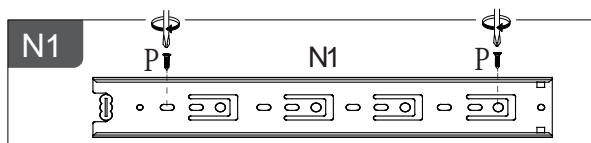
Drücken und halten Sie die Schubladenläuferverriegelung gedrückt und fahren Sie dann fort, die Schubladenläufer auseinander zu schieben, wie gezeigt.

Appuyez et maintenez le verrou de la glissière du tiroir enfoncé, puis continuez à glisser la glissière du tiroir vers l'extérieur, comme illustré.



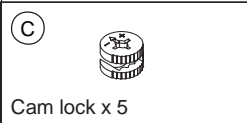
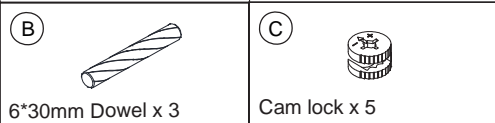
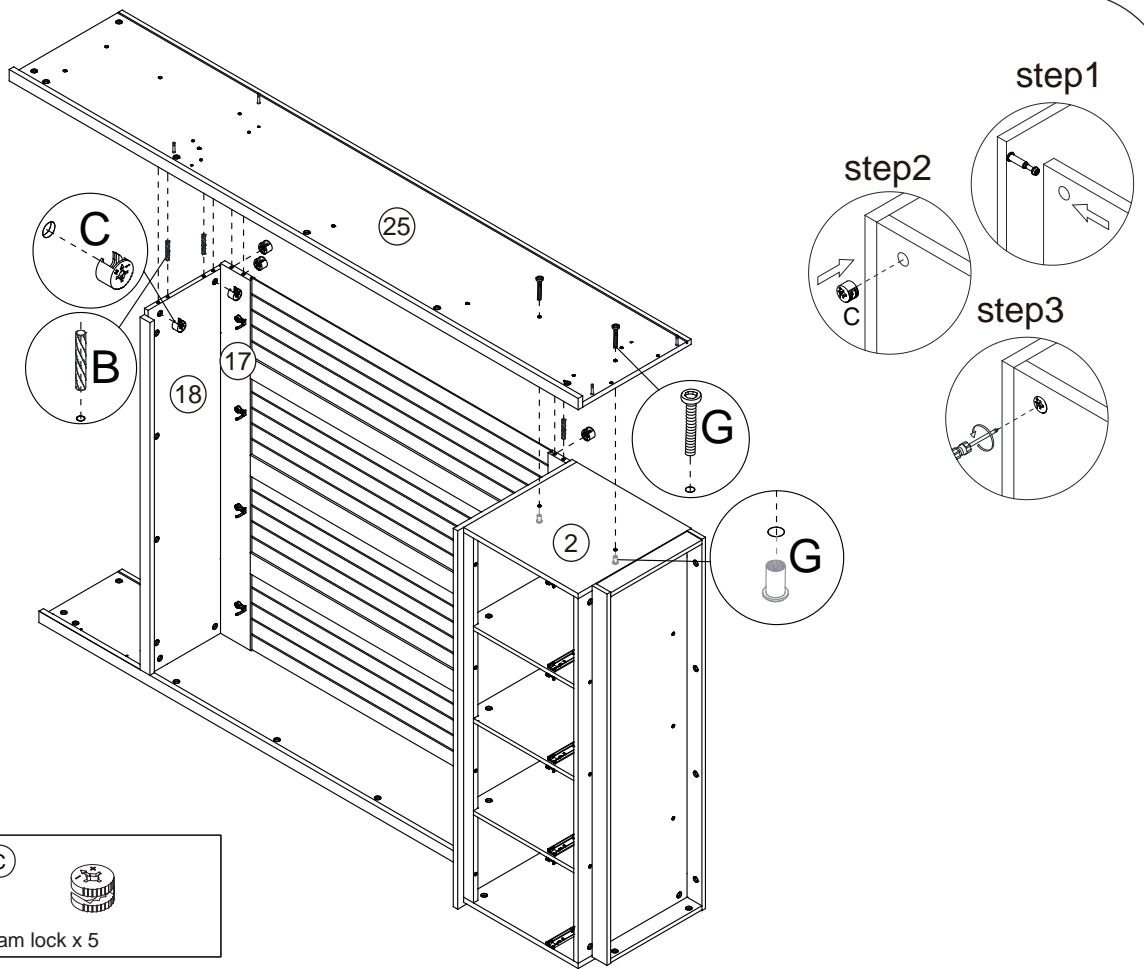
Ihre inneren und äußeren Schubladenführungen sind bereit, an Platten befestigt zu werden.  
Vos tiroirs intérieurs et extérieurs sont prêts à être fixés au panneau.

## Step 31

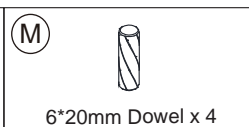
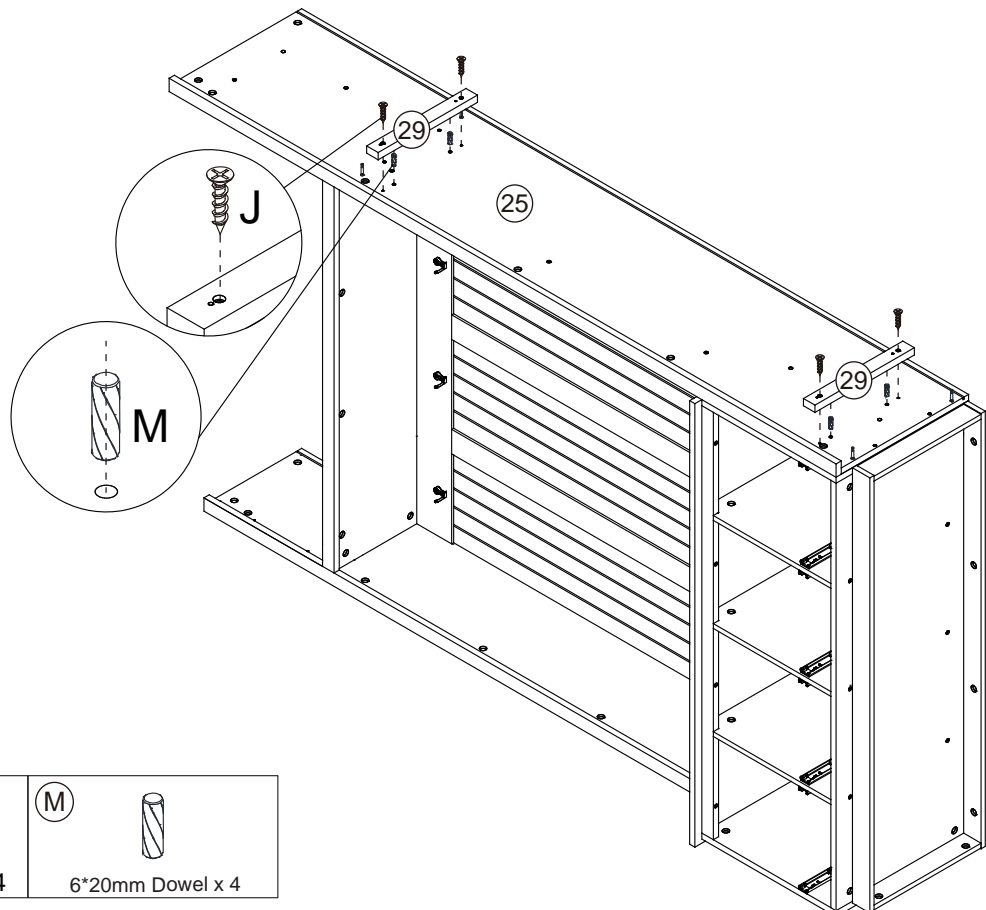


# Assembly Instructions

## Step 32

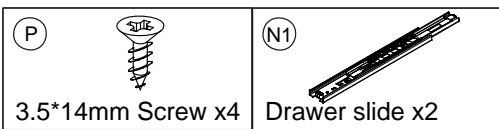
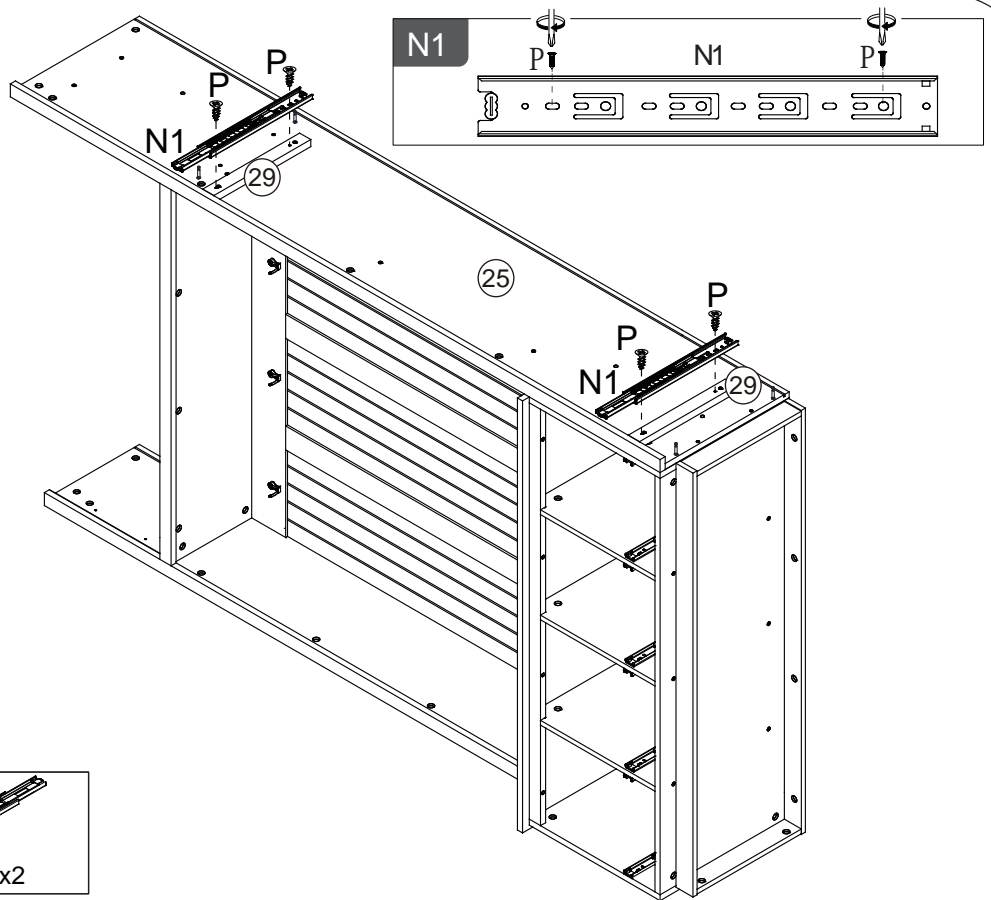


## Step 33

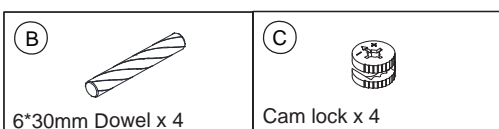
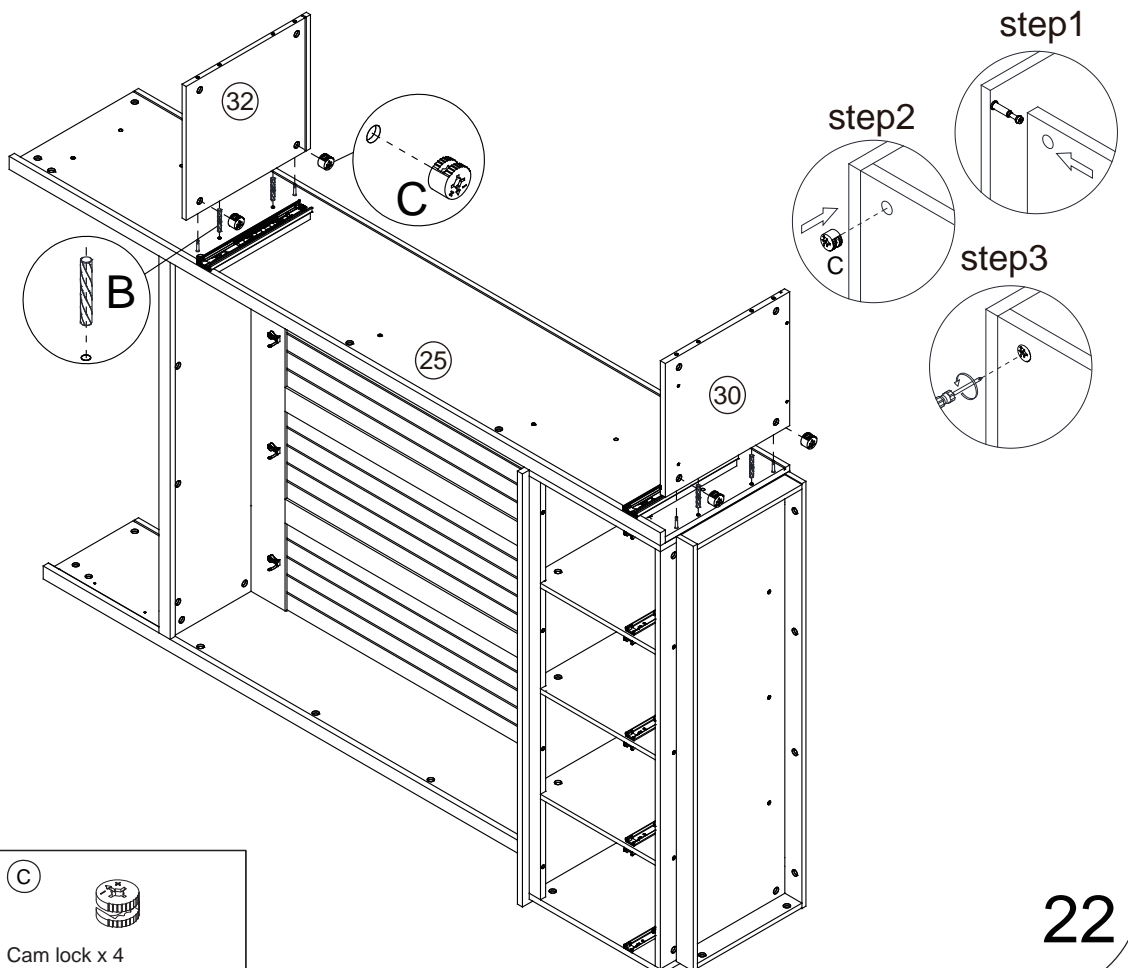


# Assembly Instructions

## Step 34

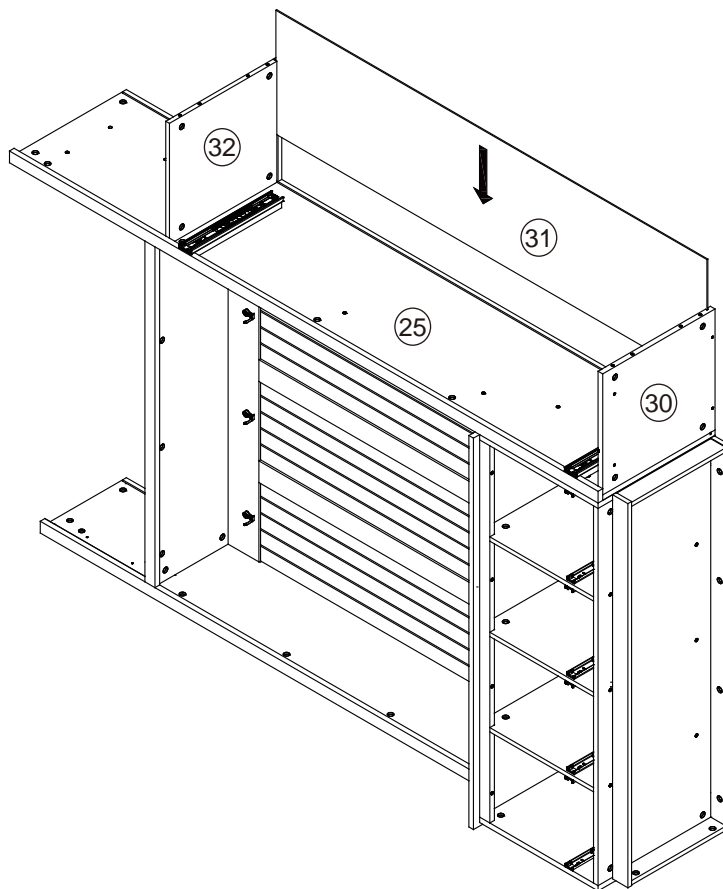


## Step 35

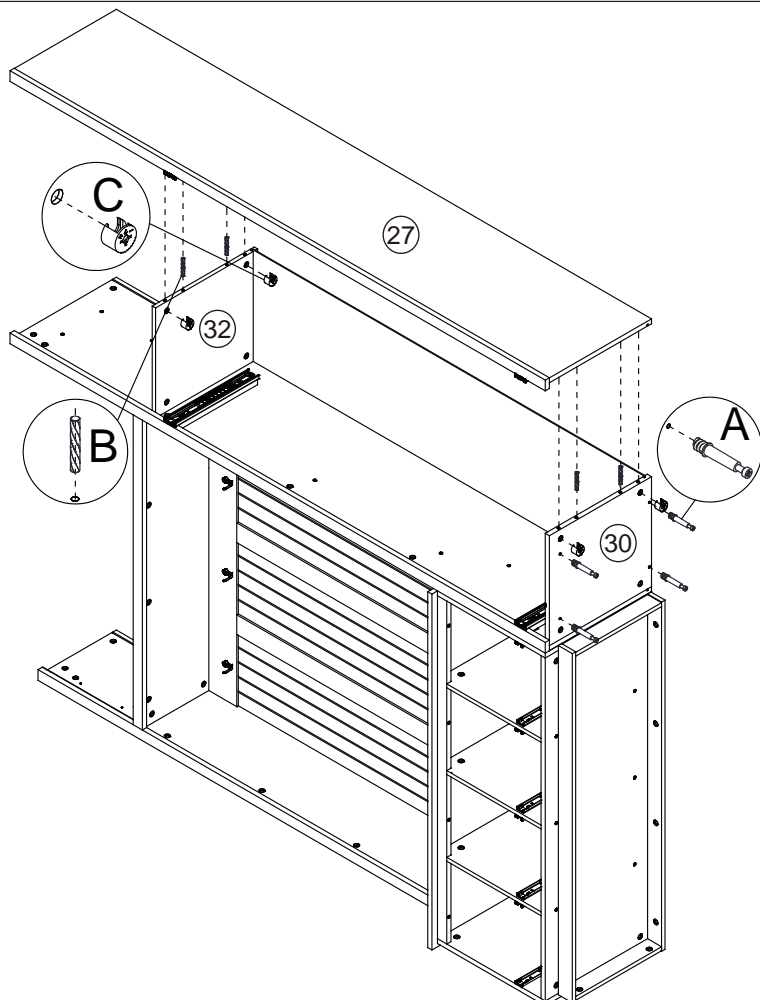
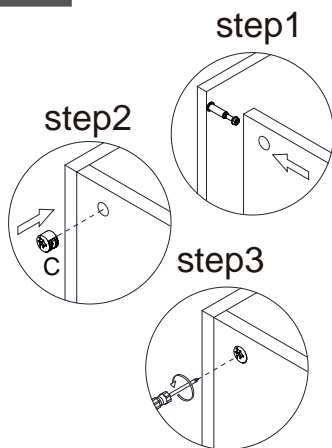





# Assembly Instructions

## Step 36



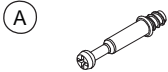
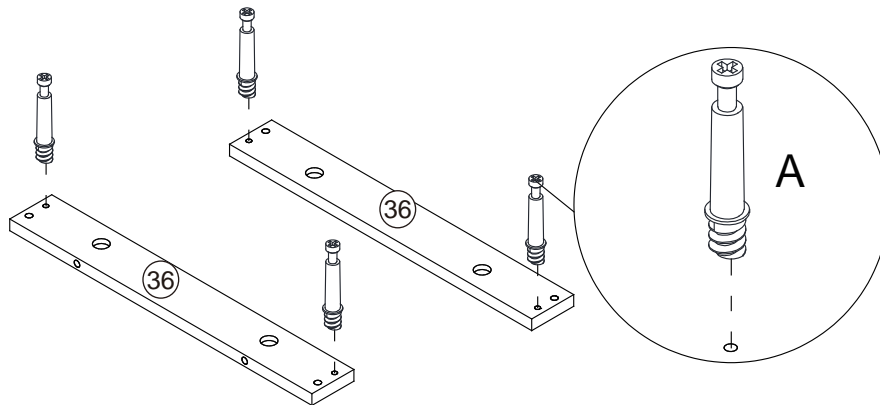
## Step 37



(C)	
Cam lock x 4	
(B)	
6*30mm Dowel x 4	
(A)	
Cam Bolt x 4	

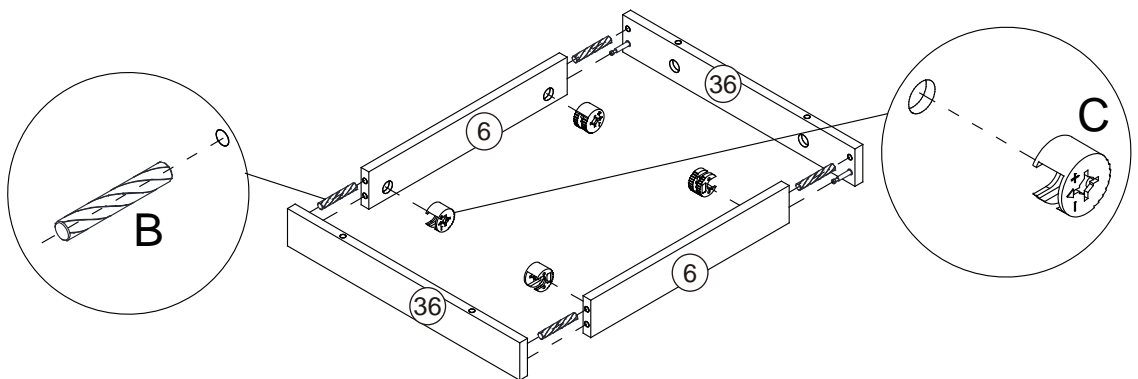
# Assembly Instructions

## Step 38



Cam Bolt x 4

## Step 39

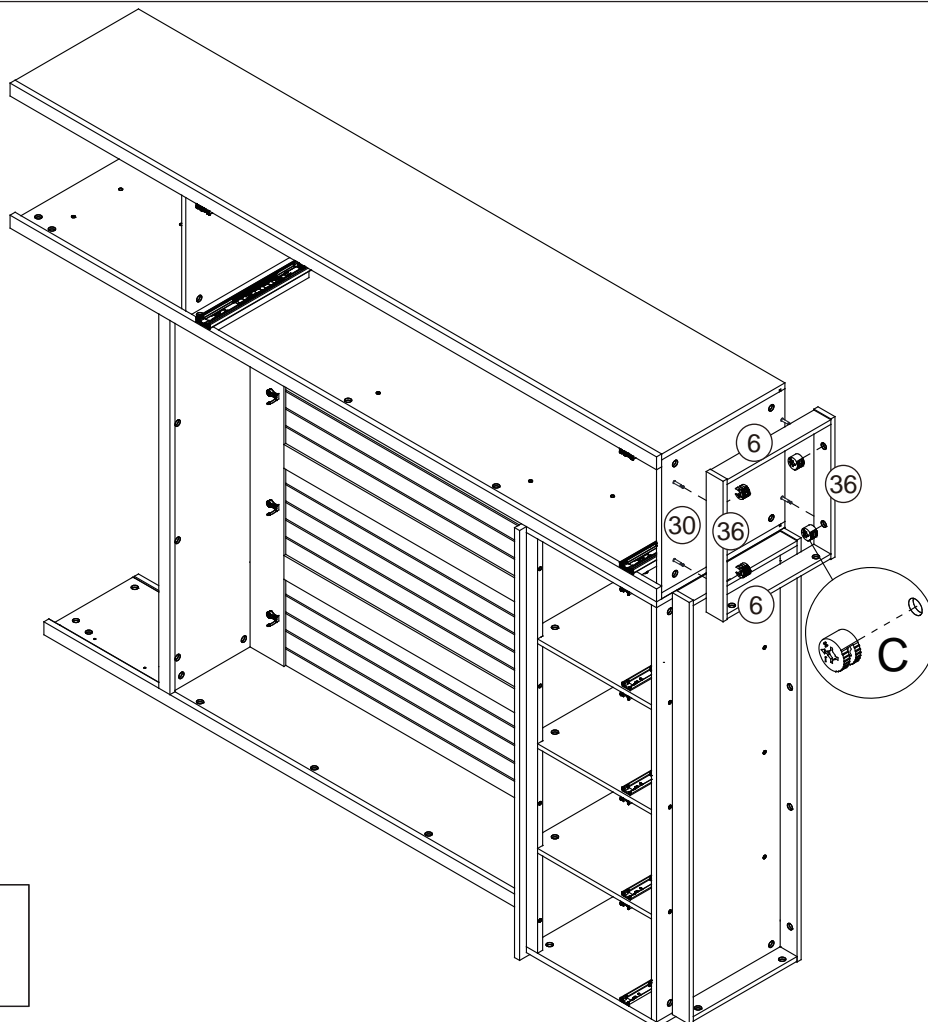


Cam lock x 4



6\*30mm Dowel x 4

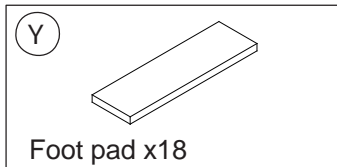
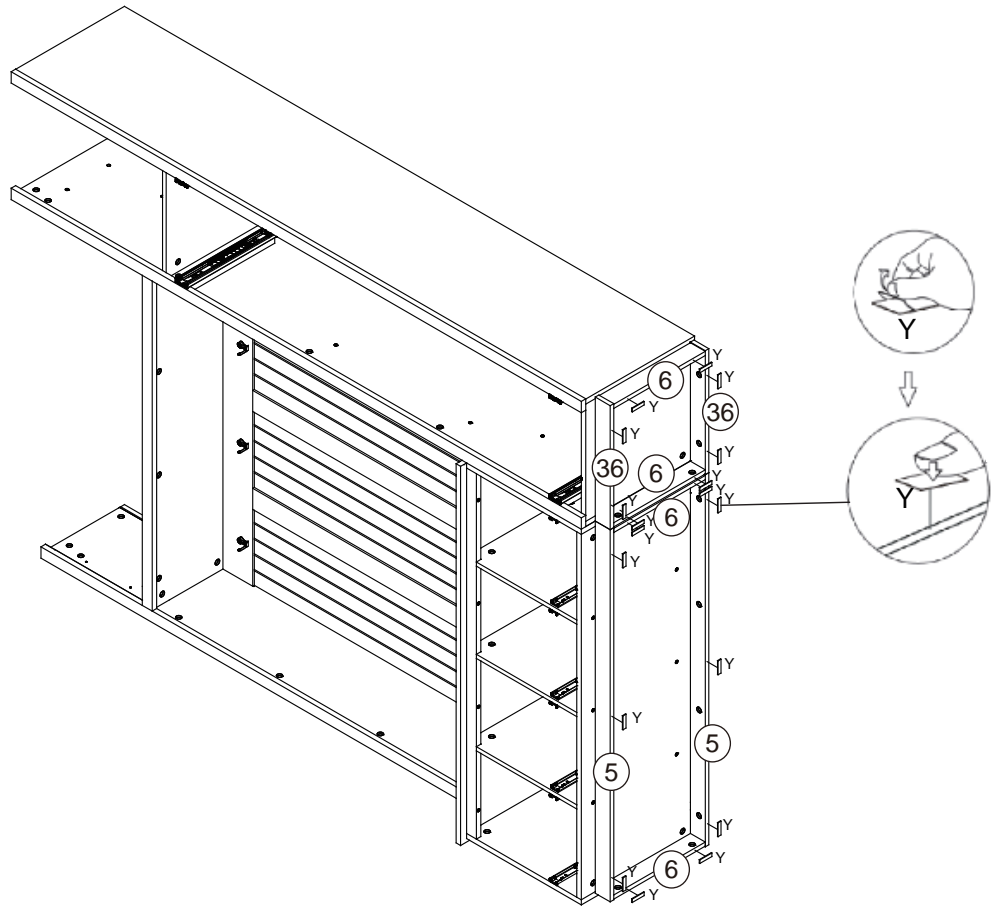
## Step 40



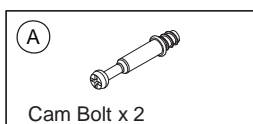
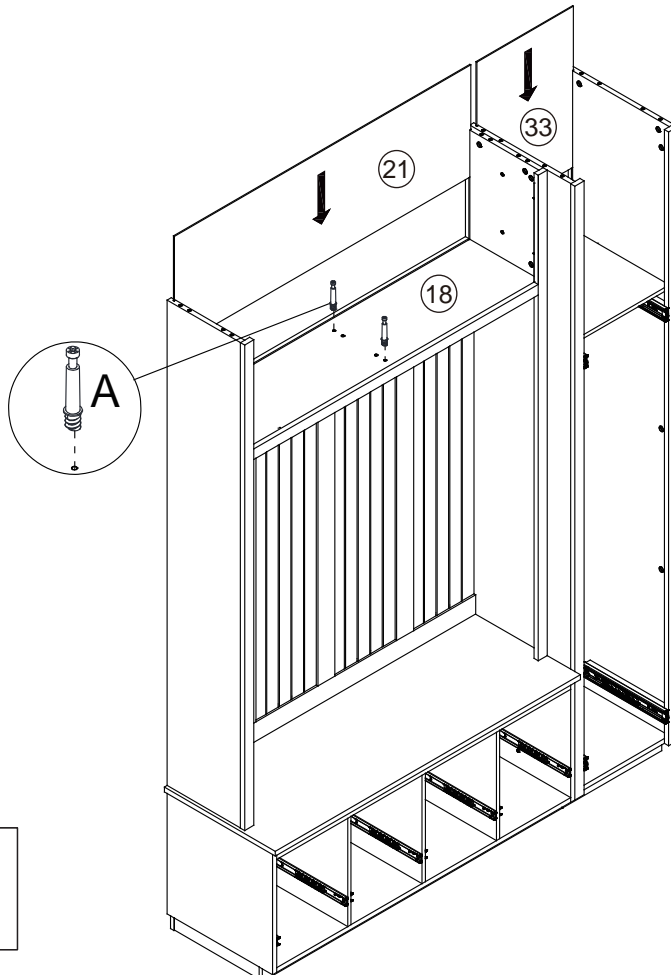
Cam lock x 4

# Assembly Instructions

## Step 41

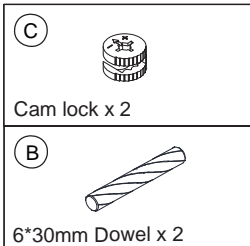
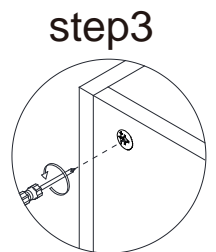
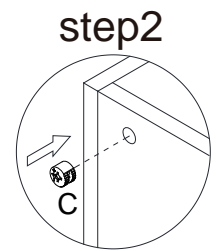
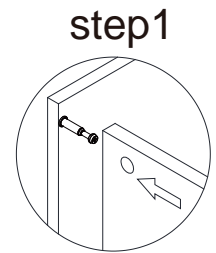
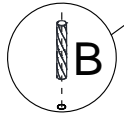
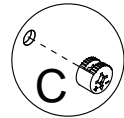
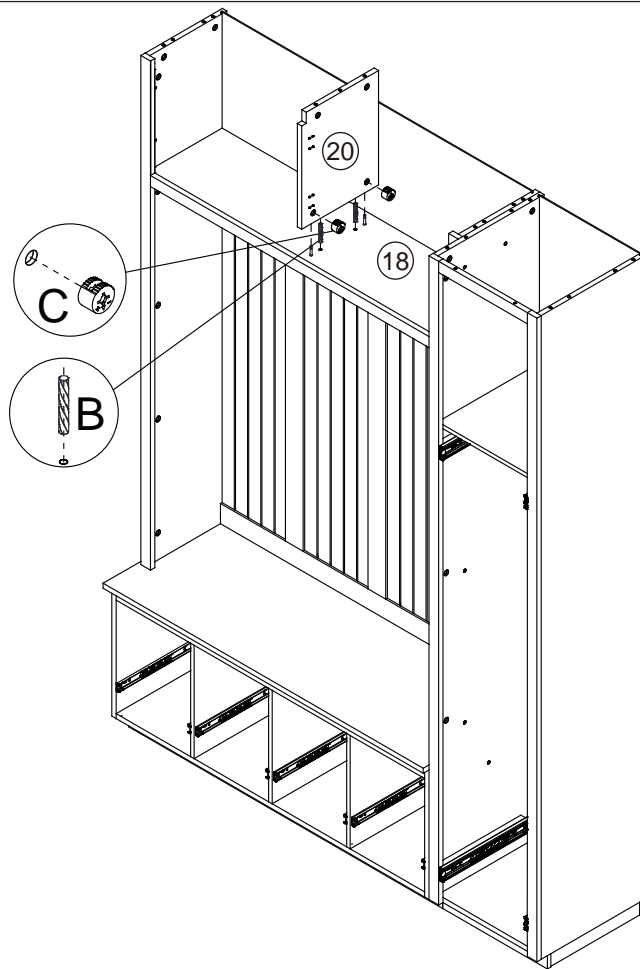


## Step 42

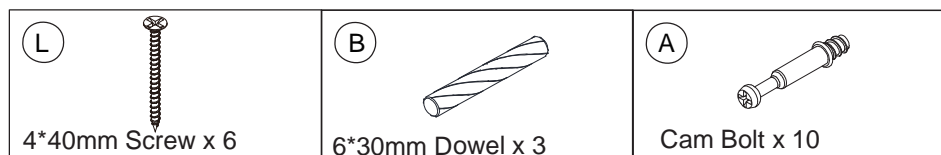
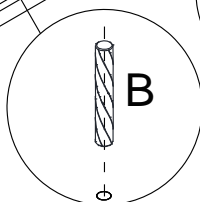
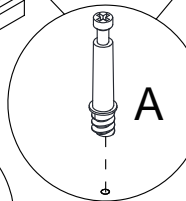
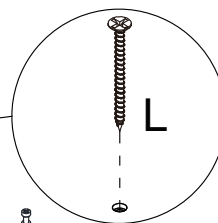
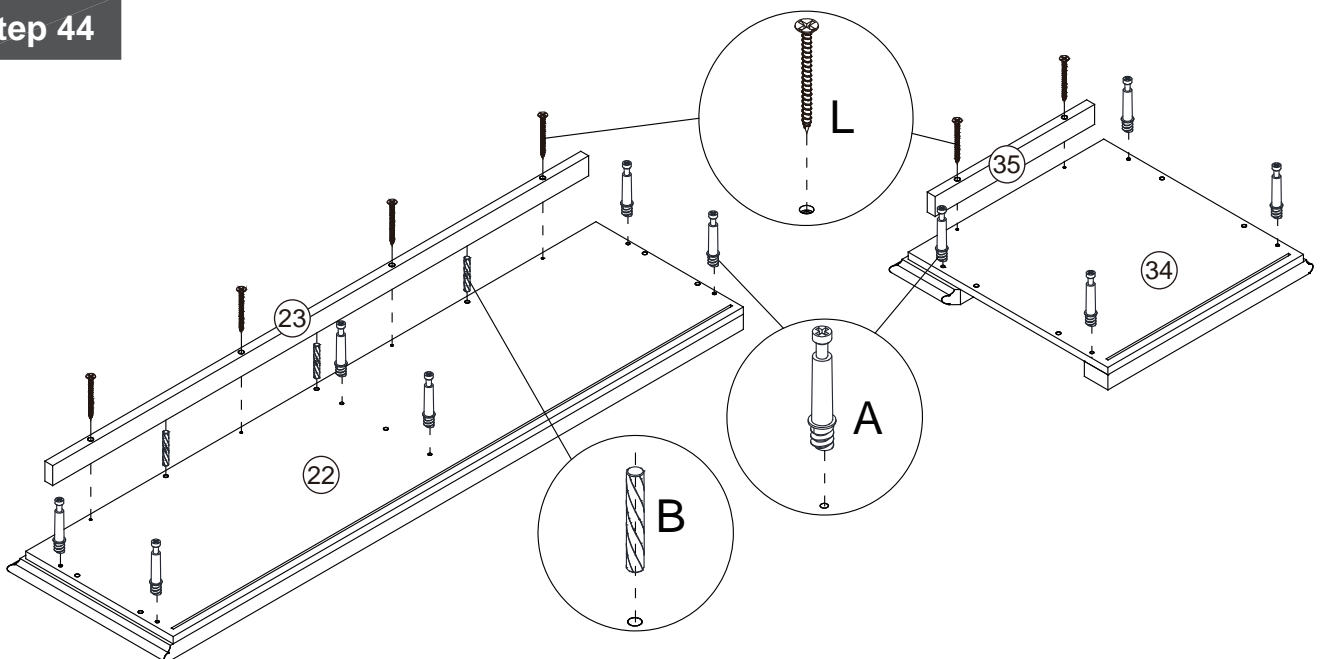


# Assembly Instructions

## Step 43

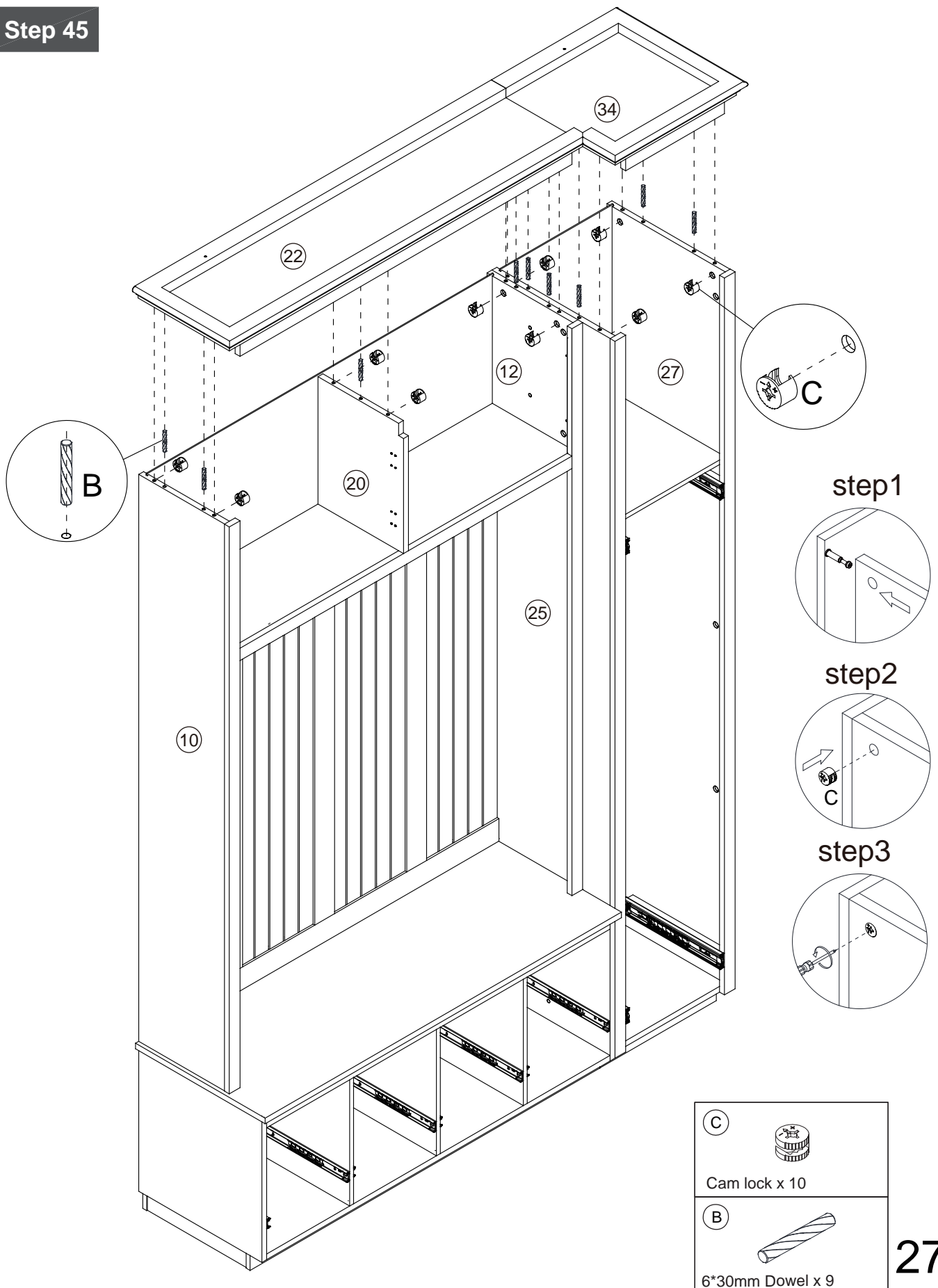


## Step 44



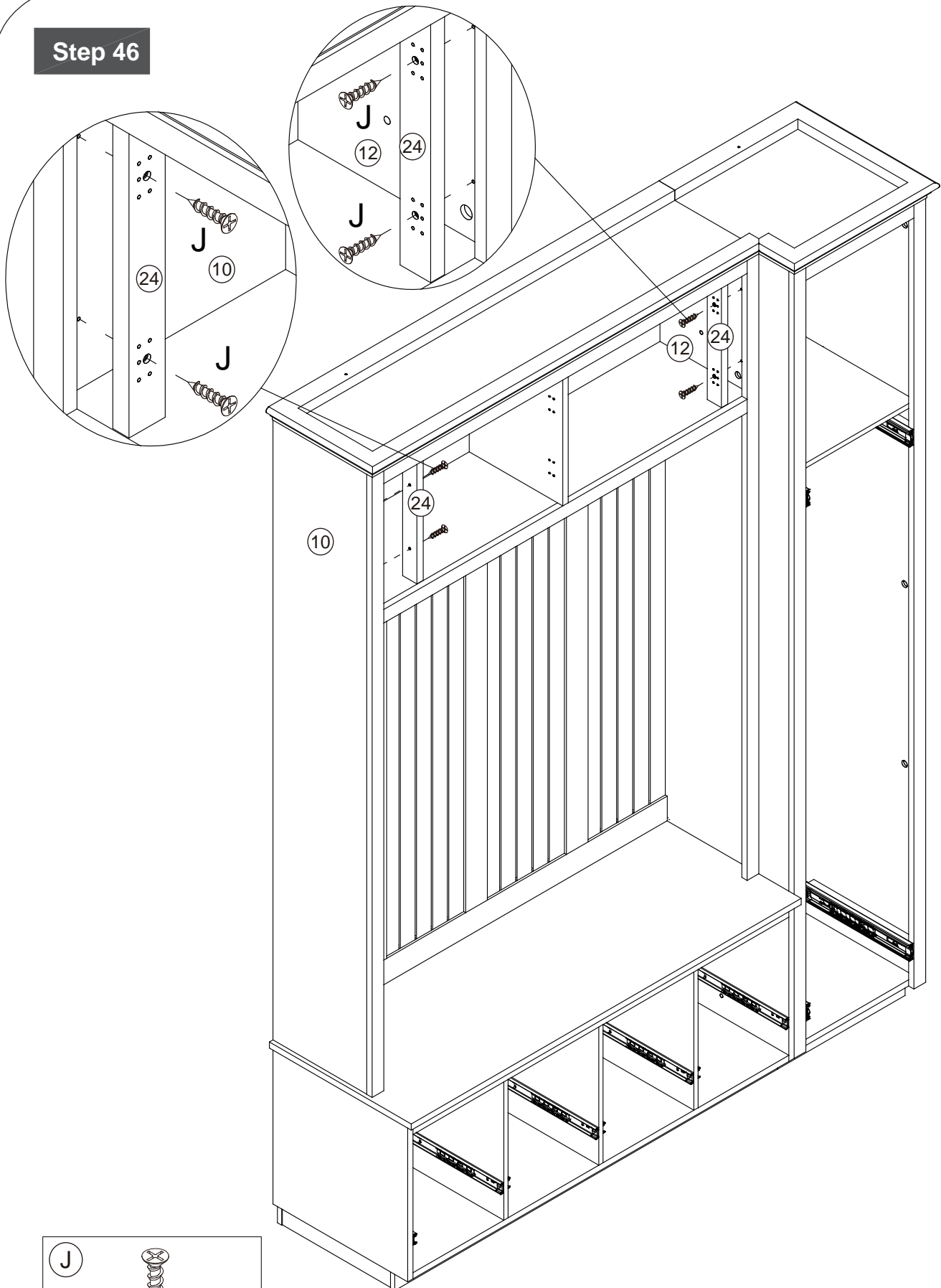
# Assembly Instructions

## Step 45



# Assembly Instructions

## Step 46



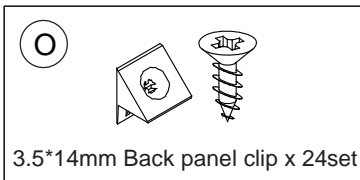
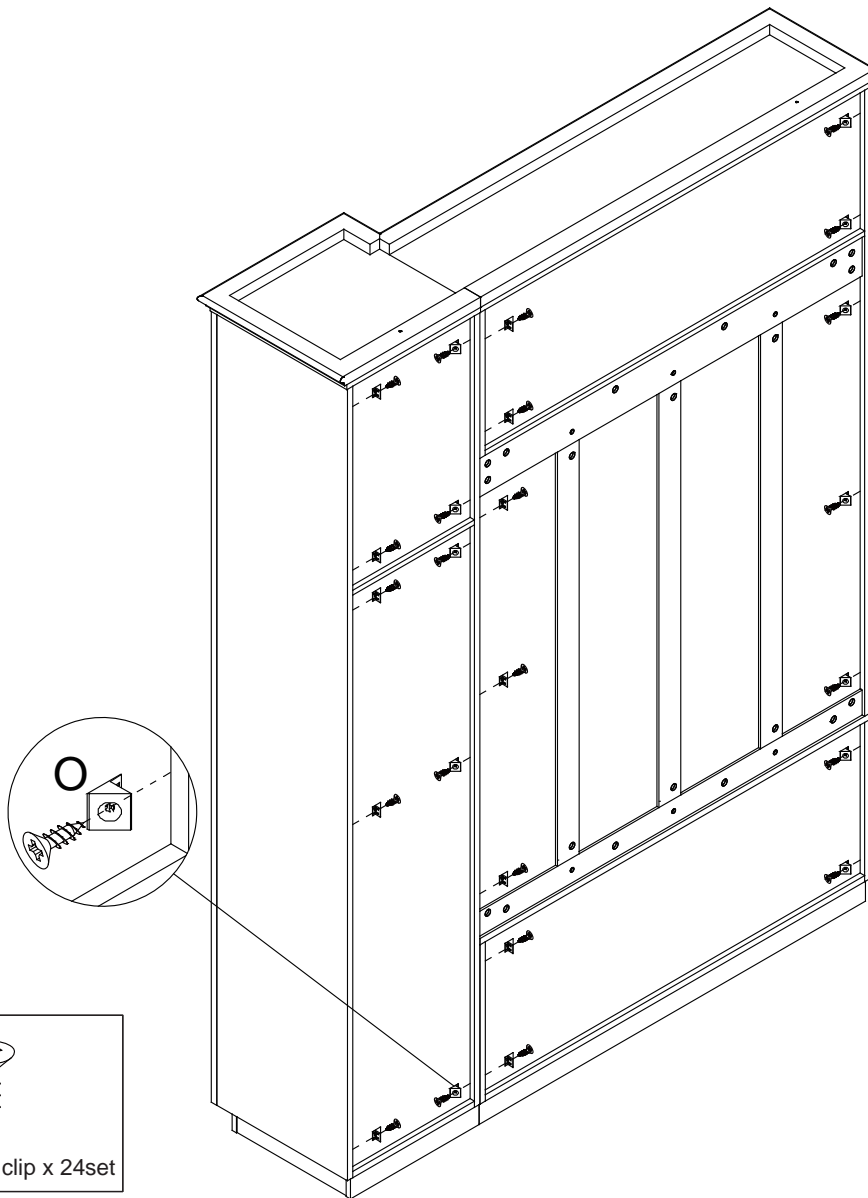
J



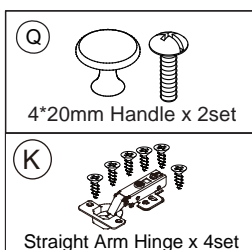
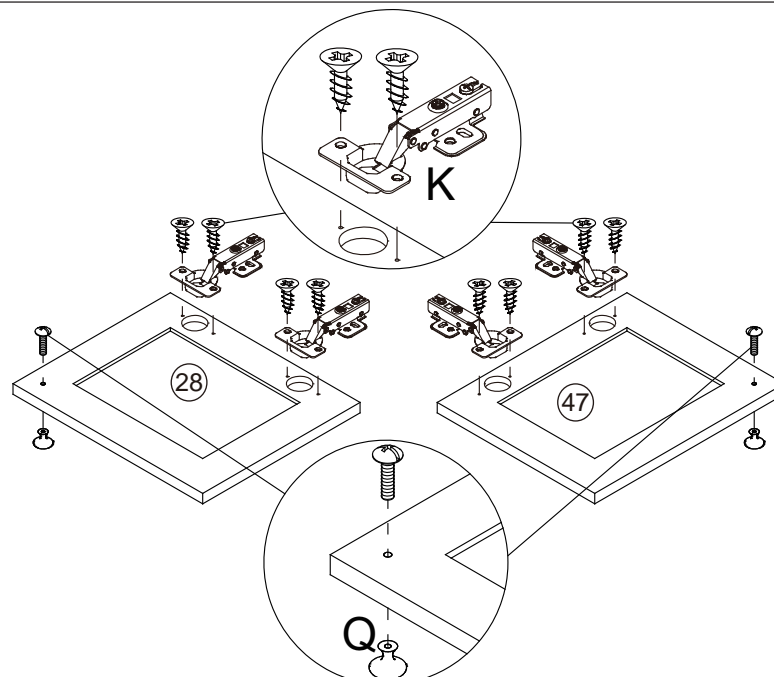
4\*25mm Screw x4

# Assembly Instructions

## Step 47



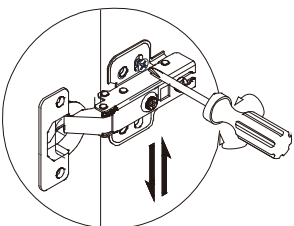
## Step 48



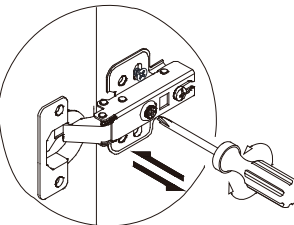
# Assembly Instructions

## Step 49

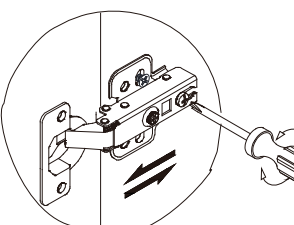
This is used to adjust the door panel in the up and down direction.



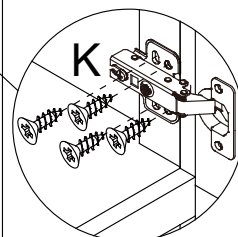
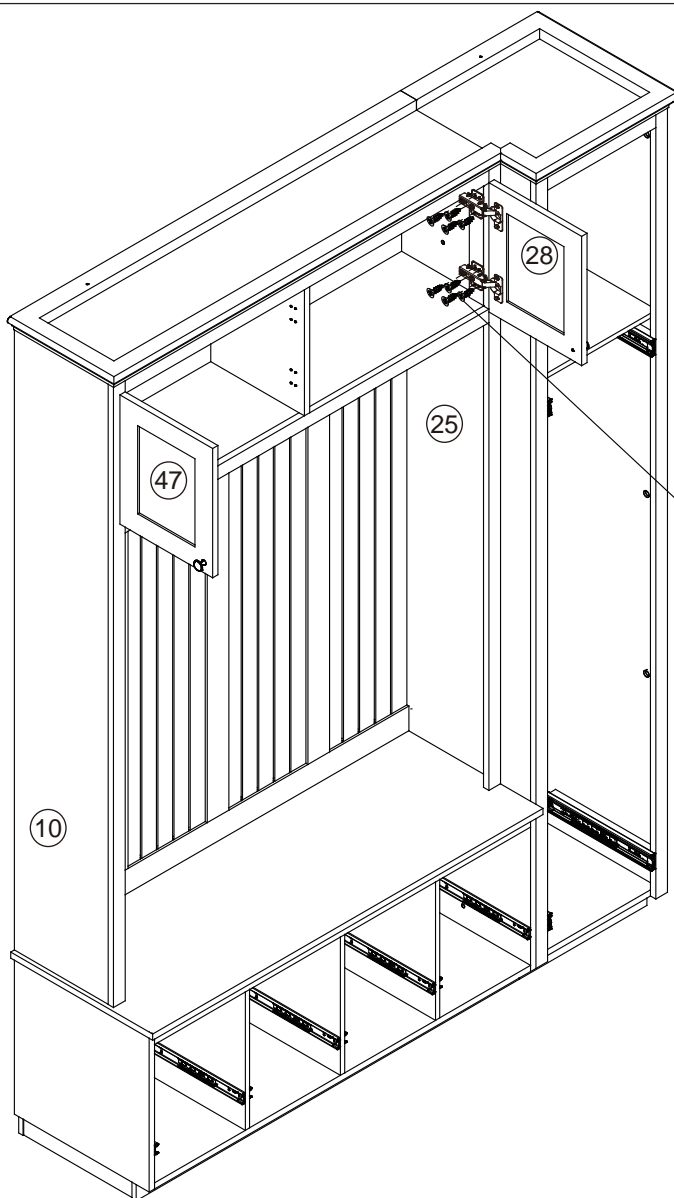
This is used to adjust the door panel in the left and right direction.



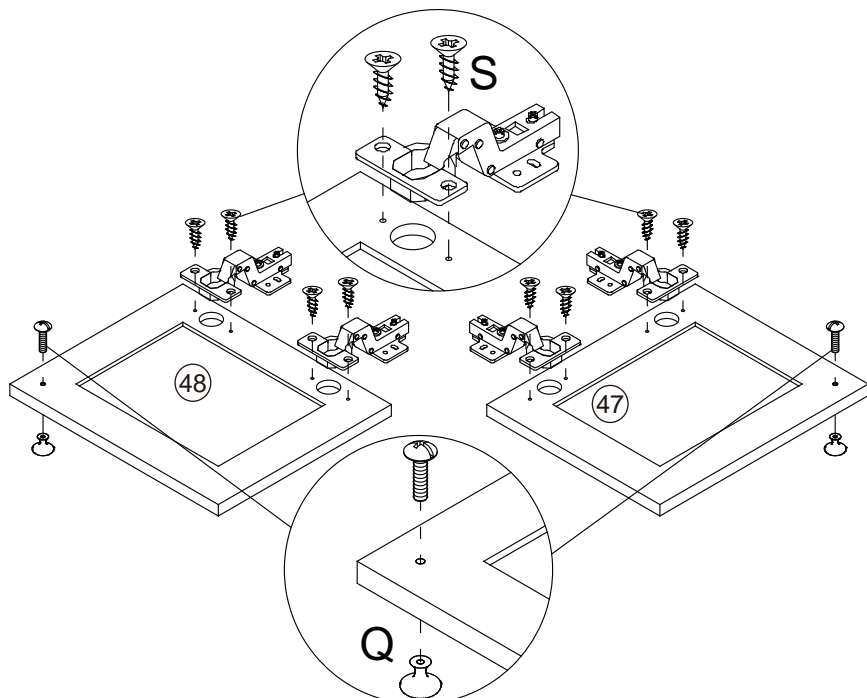
This is used to adjust the door panel in the front and rear.




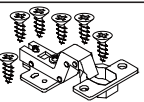
If the door can't close, please adjust the hinges as below.



## Step 50



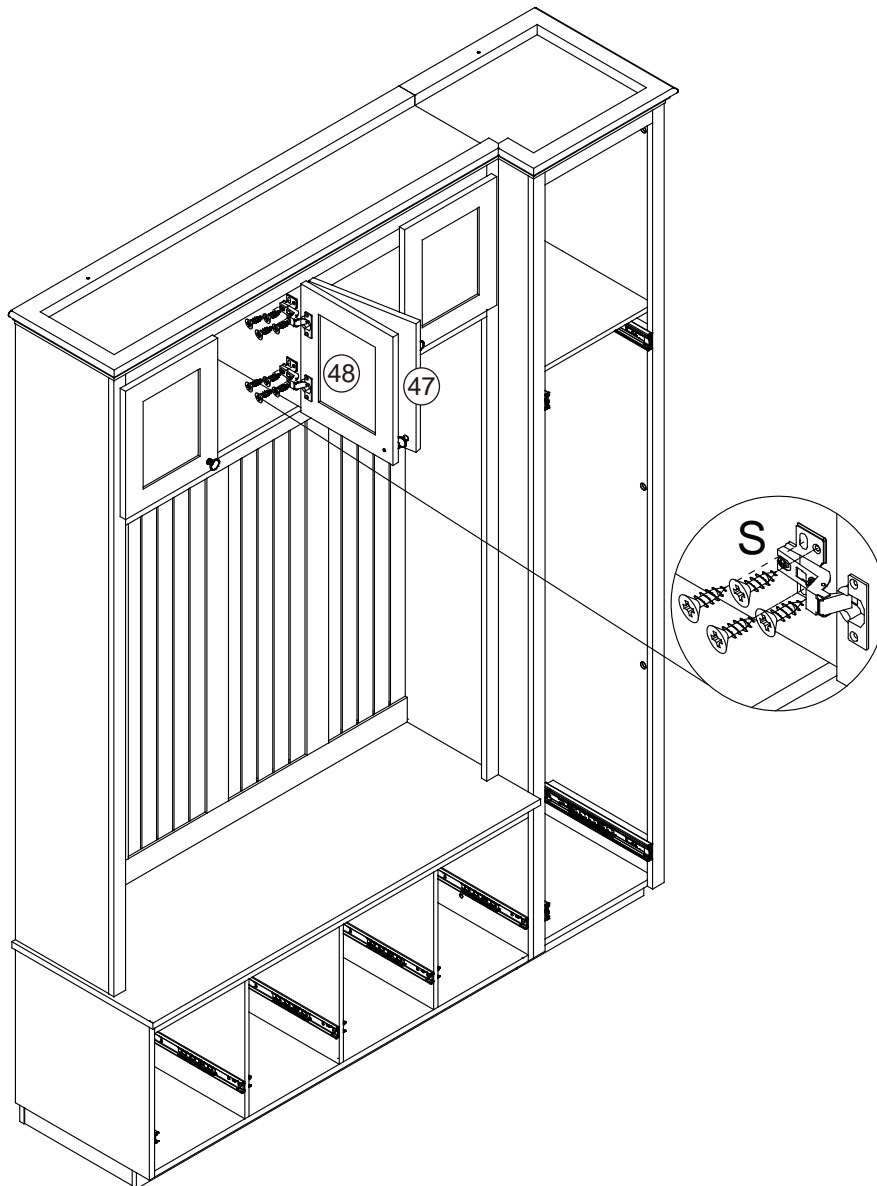
- 

Q 4\*20mm Handle x 2set
- 

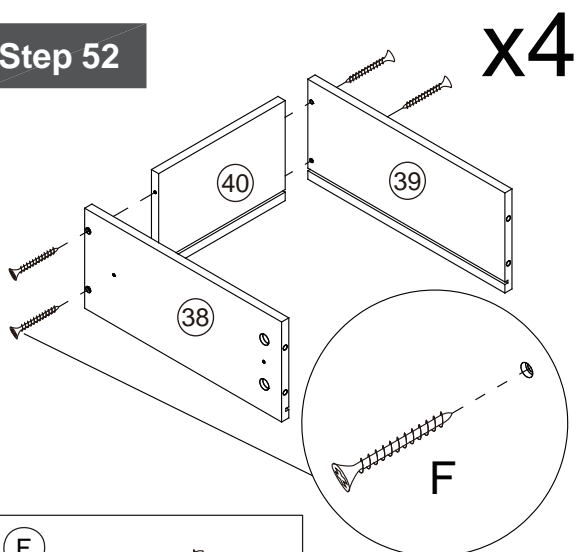
S Half-overlay Hinge x 4set

# Assembly Instructions

## Step 51

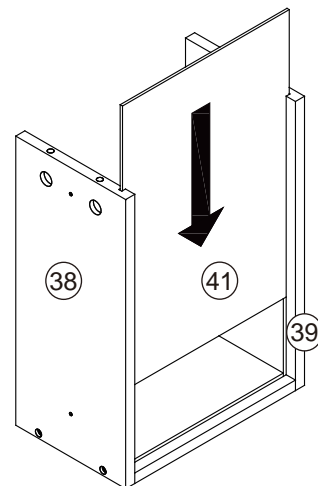


## Step 52



(F)  
4\*30mm Screw x 16

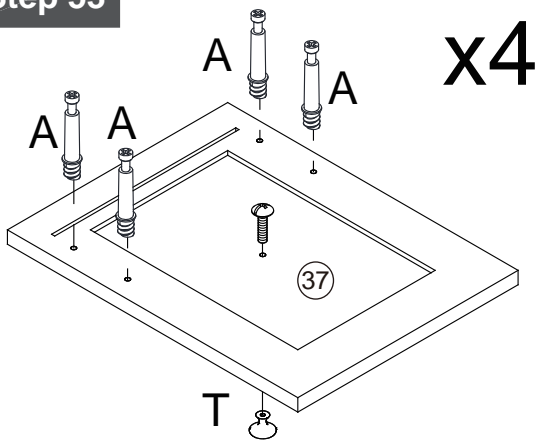
x4



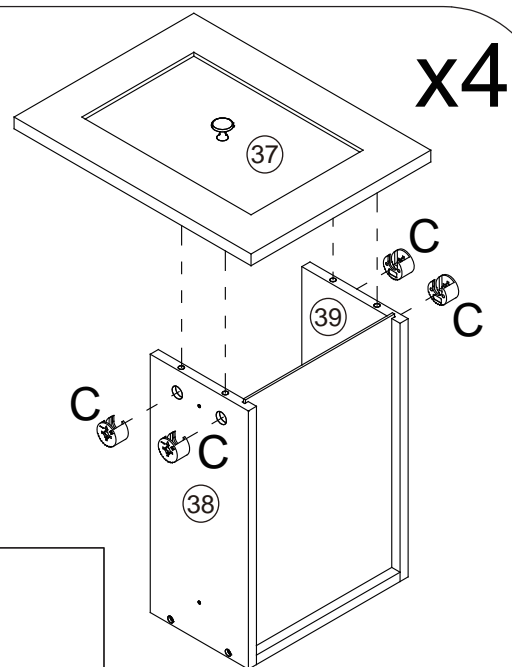
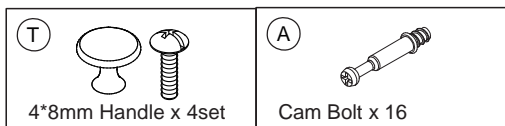
31

# Assembly Instructions

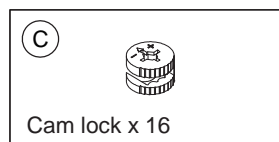
## Step 53



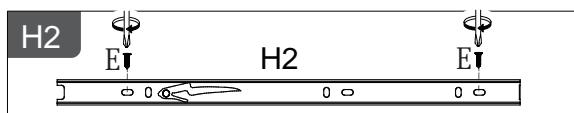
x4



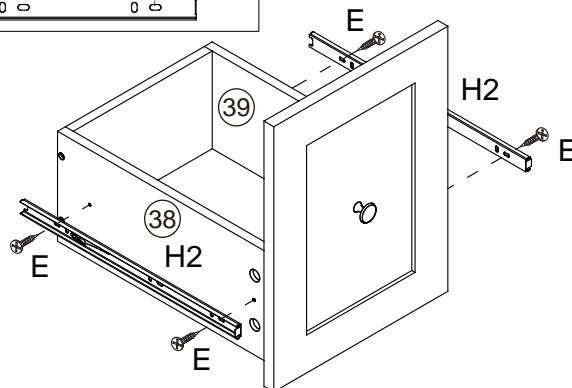
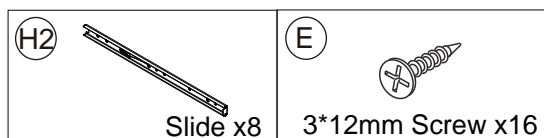
x4



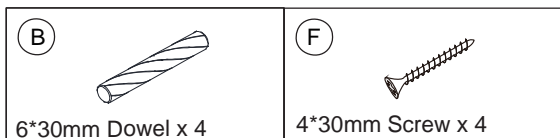
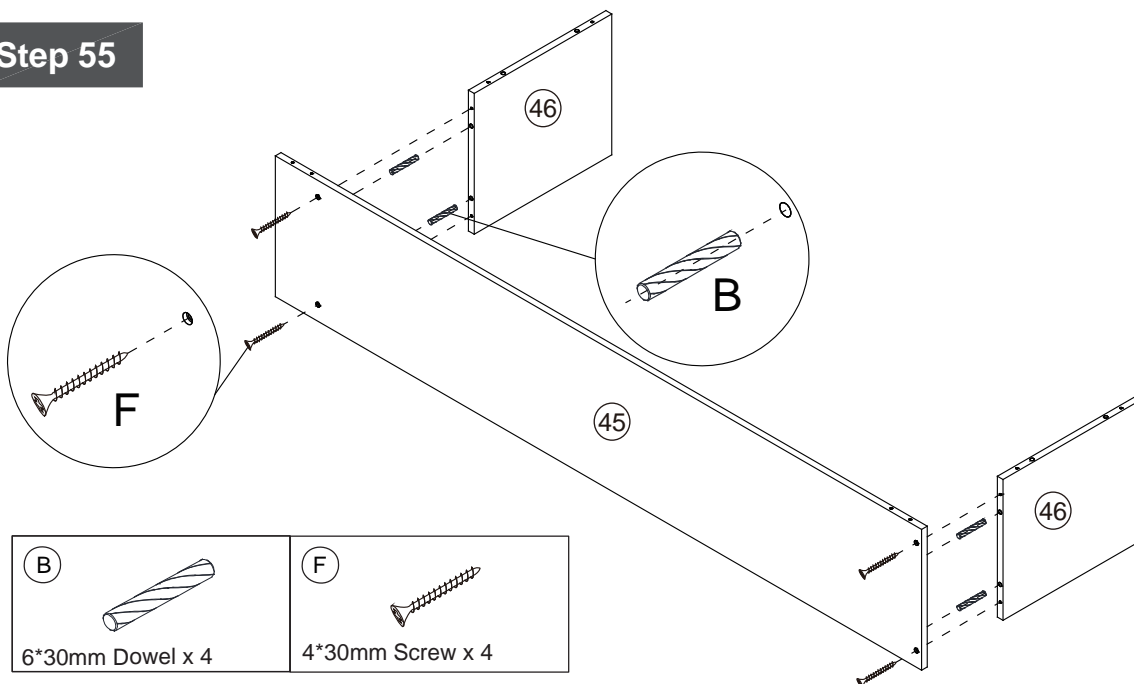
## Step 54



x4



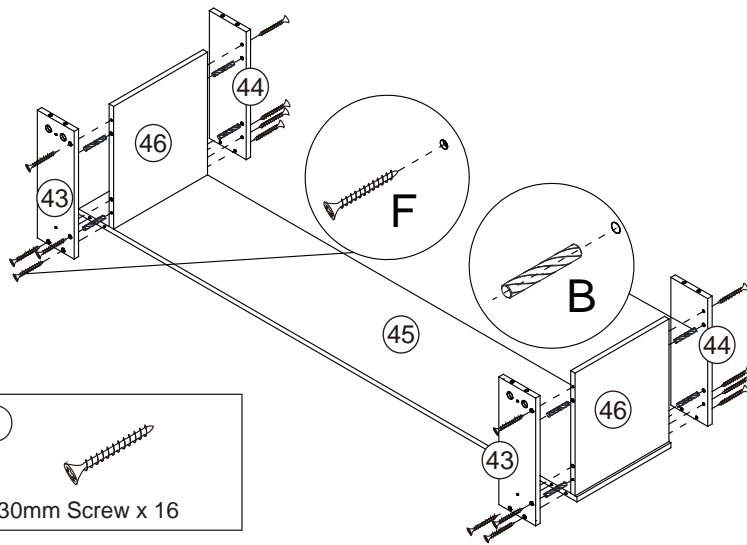
## Step 55



32

# Assembly Instructions

## Step 56



B



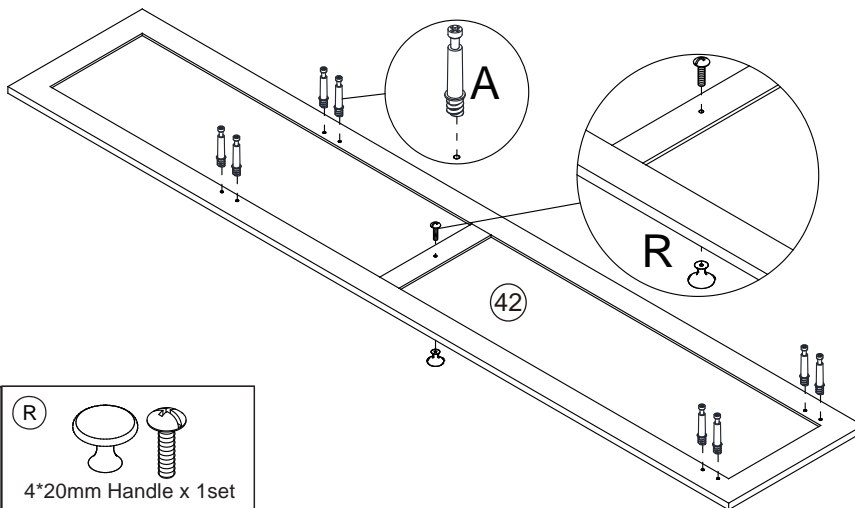
6\*30mm Dowel x 8

F



4\*30mm Screw x 16

## Step 57



A



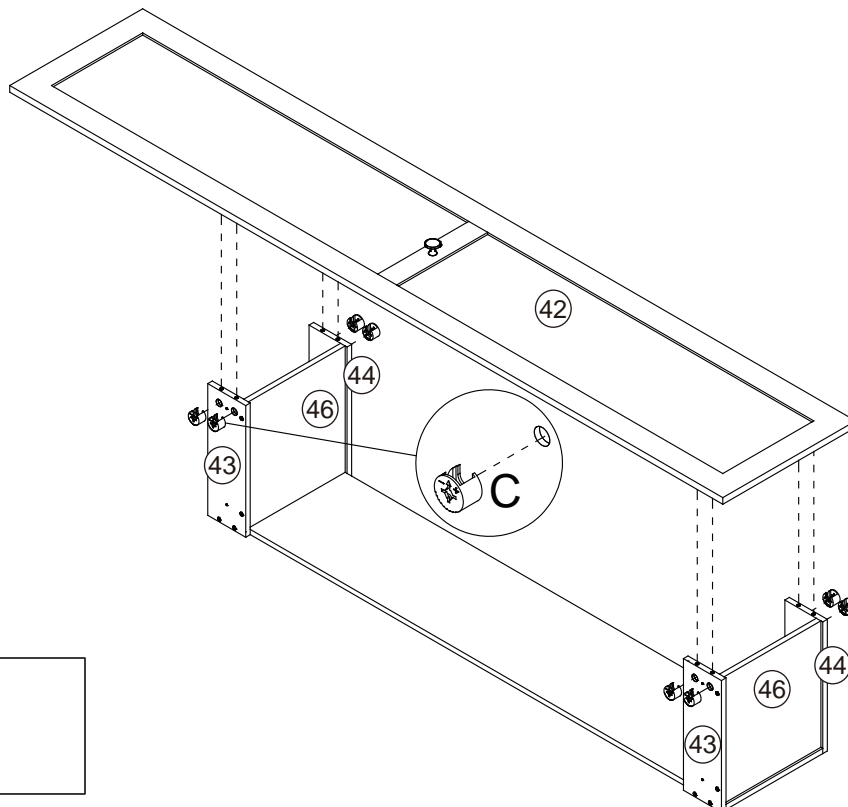
Cam Bolt x 8

R



4\*20mm Handle x 1set

## Step 58



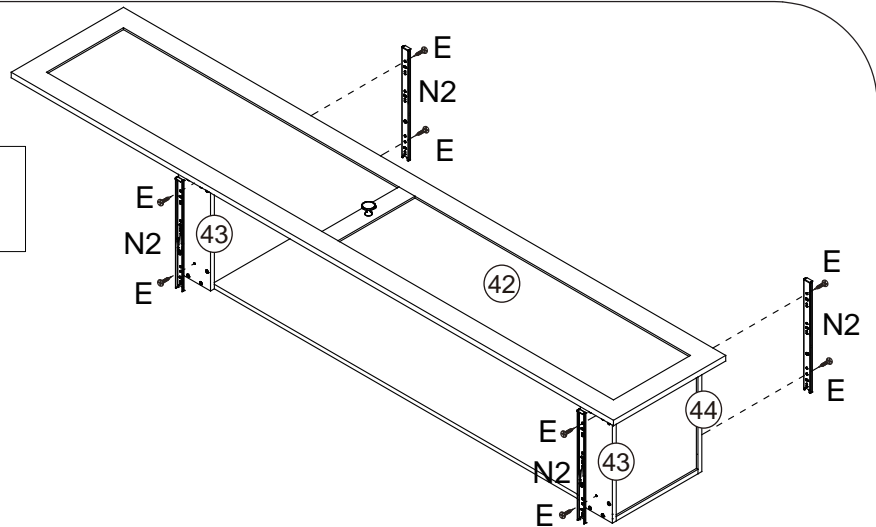
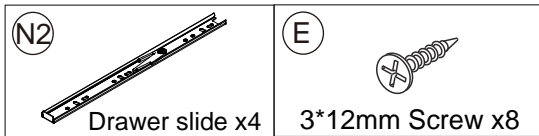
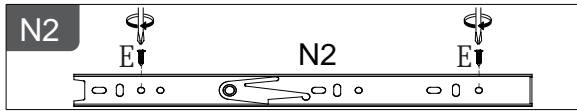
C



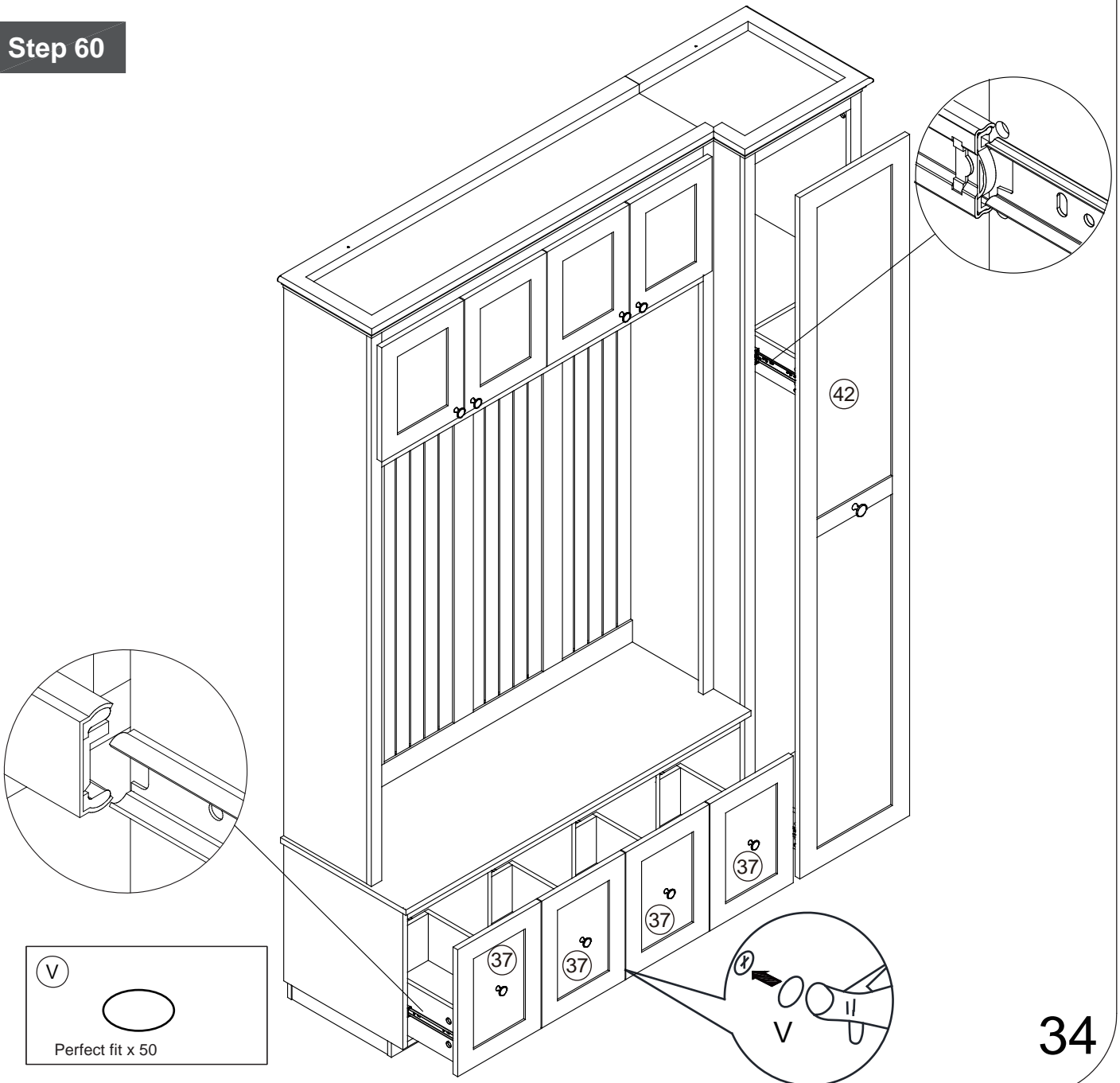
Cam lock x 8

# Assembly Instructions

## Step 59

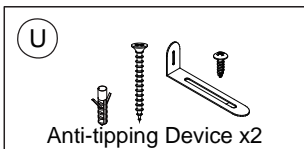
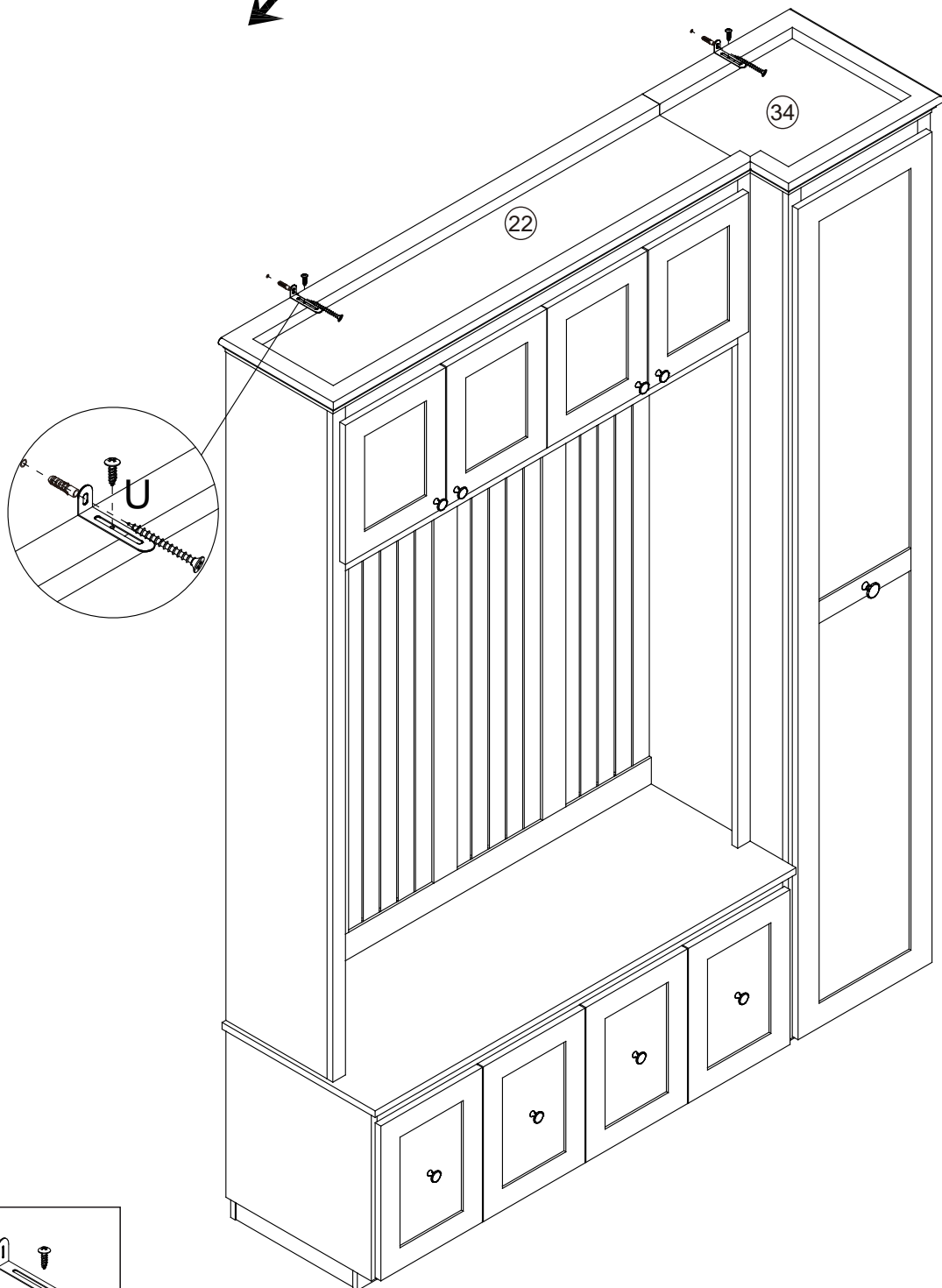
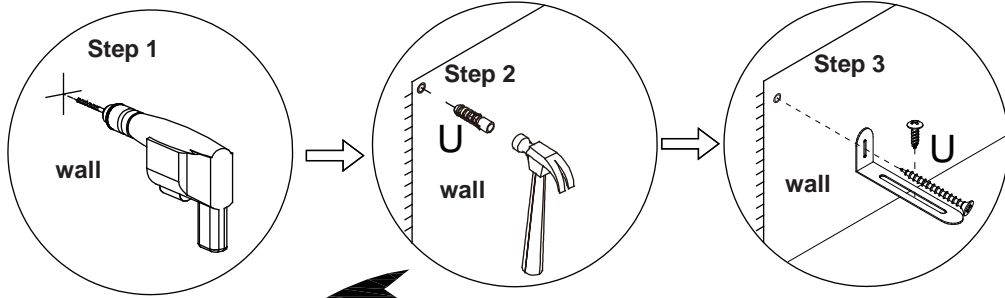


## Step 60



# Assembly Instructions

## Step 61



# Assembly Instructions

Finish

