

Instruction Manual

Please save this manual for future reference.




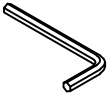
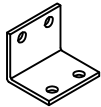




Product Name:	Oak Finish MDF Wood Black Metal Dining Table

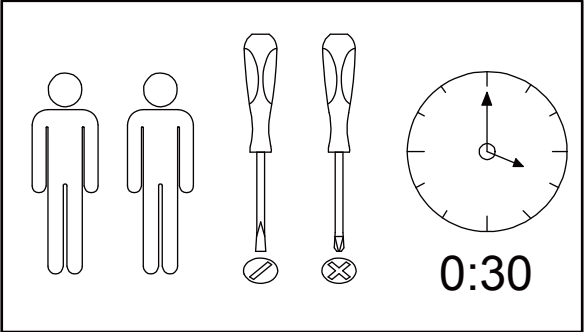
Thank you for purchasing this Luxen Home product. This product has been manufactured with the highest standards of safety and quality.

PLEASE READ ALL INSTRUCTIONS BEFORE ASSEMBLY.

Unpack all parts from Styrofoam and bubble wrap inside the carton to ensure there are no missing or damaged parts. If any parts are missing or damaged, do not attempt to assemble or use the product.

Hardware:

① ×24	② ×24	③ ×16	④ ×1	⑤ ×4	⑥ ×16
					
⑦ ×8	⑧ ×8	⑨ ×32			
					



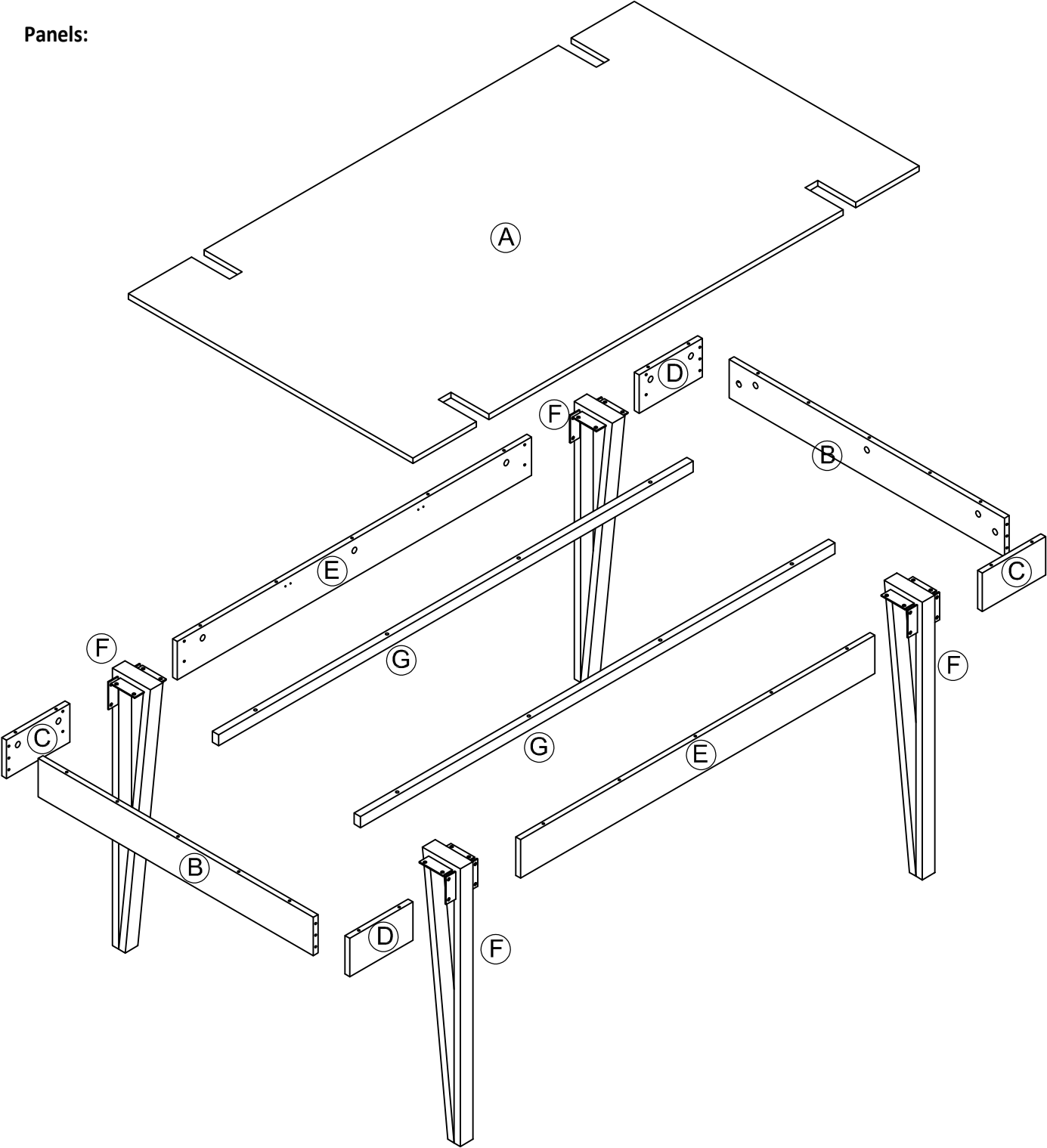
Tools required for assembly: Philips screwdriver and Flathead Screwdriver (if using power tools, use with care)

Instruction Manual

Please save this manual for future reference.

Product Name:	Oak Finish MDF Wood Black Metal Dining Table

Panels:



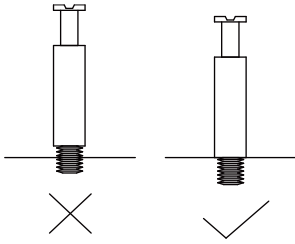
Instruction Manual

Please save this manual for future reference.

Product Name:	Oak Finish MDF Wood Black Metal Dining Table

Step 1

Make sure the pins are installed correctly as shown with the “check mark” below:



Below shows how the pins are used to assemble the panels together.

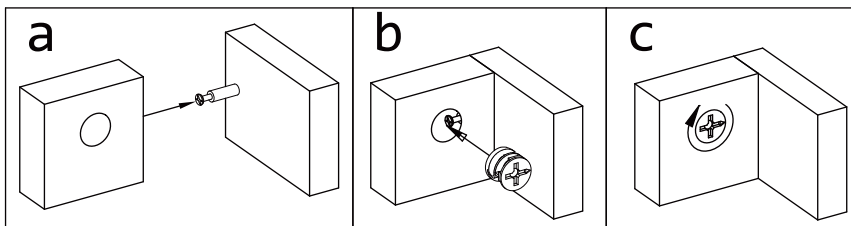


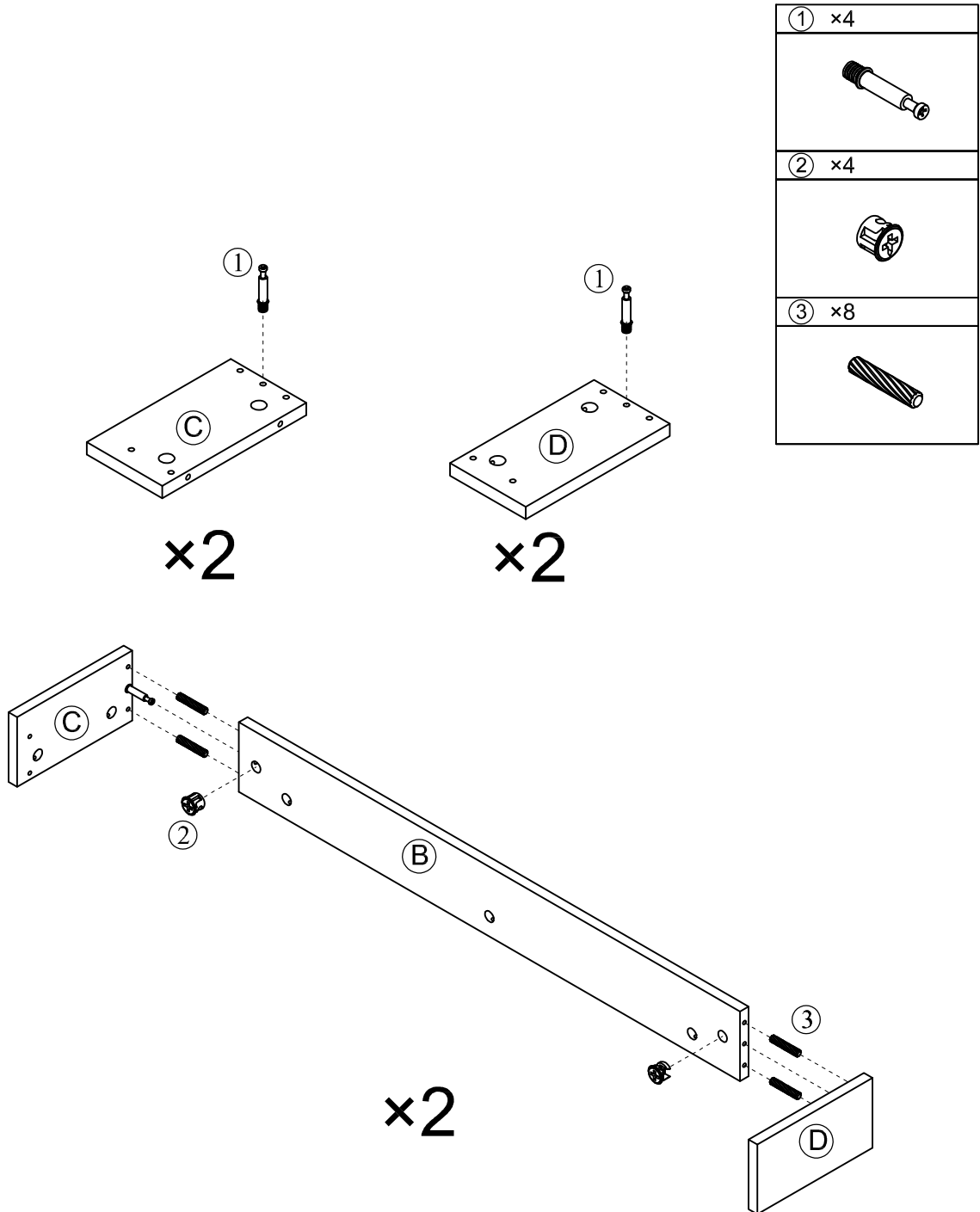
FIGURE A

Instruction Manual

Please save this manual for future reference.

Product Name:	Oak Finish MDF Wood Black Metal Dining Table

Step 2

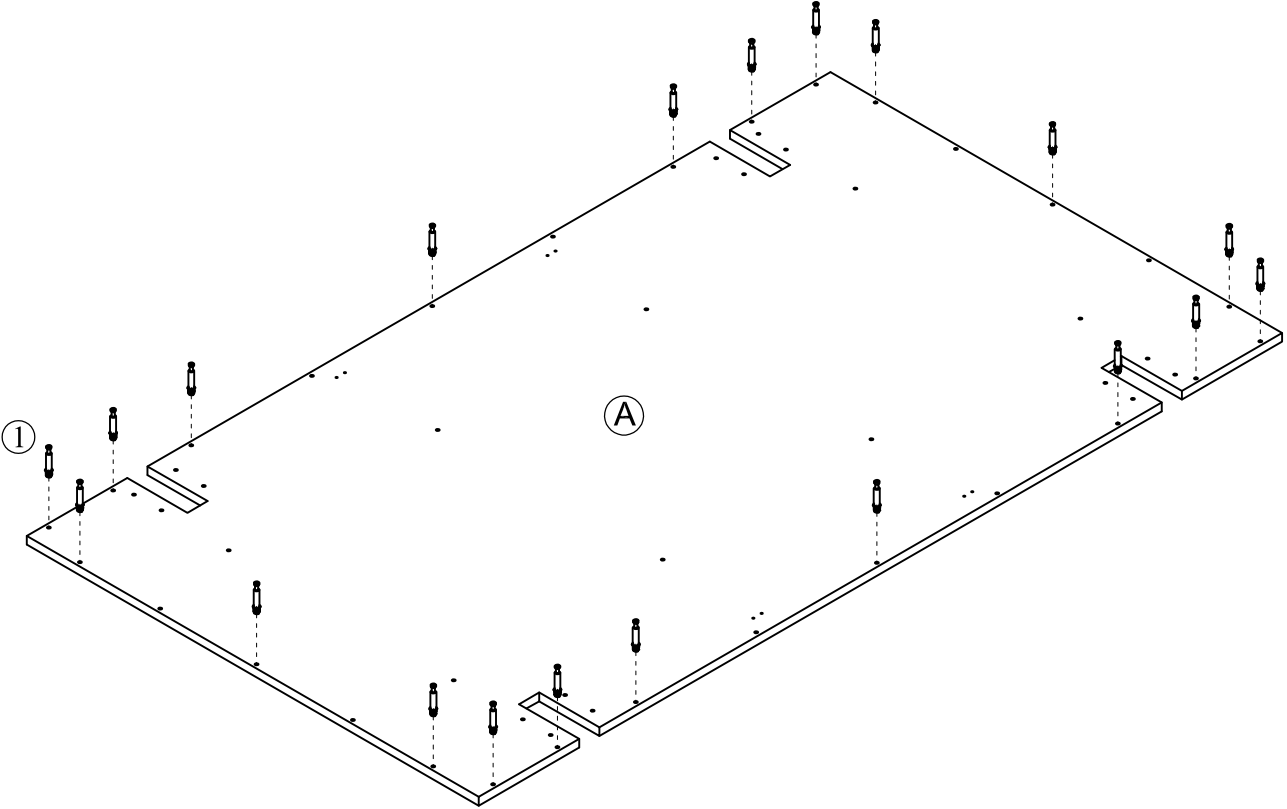
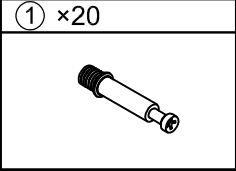


Instruction Manual

Please save this manual for future reference.

Product Name:	Oak Finish MDF Wood Black Metal Dining Table

Step 3





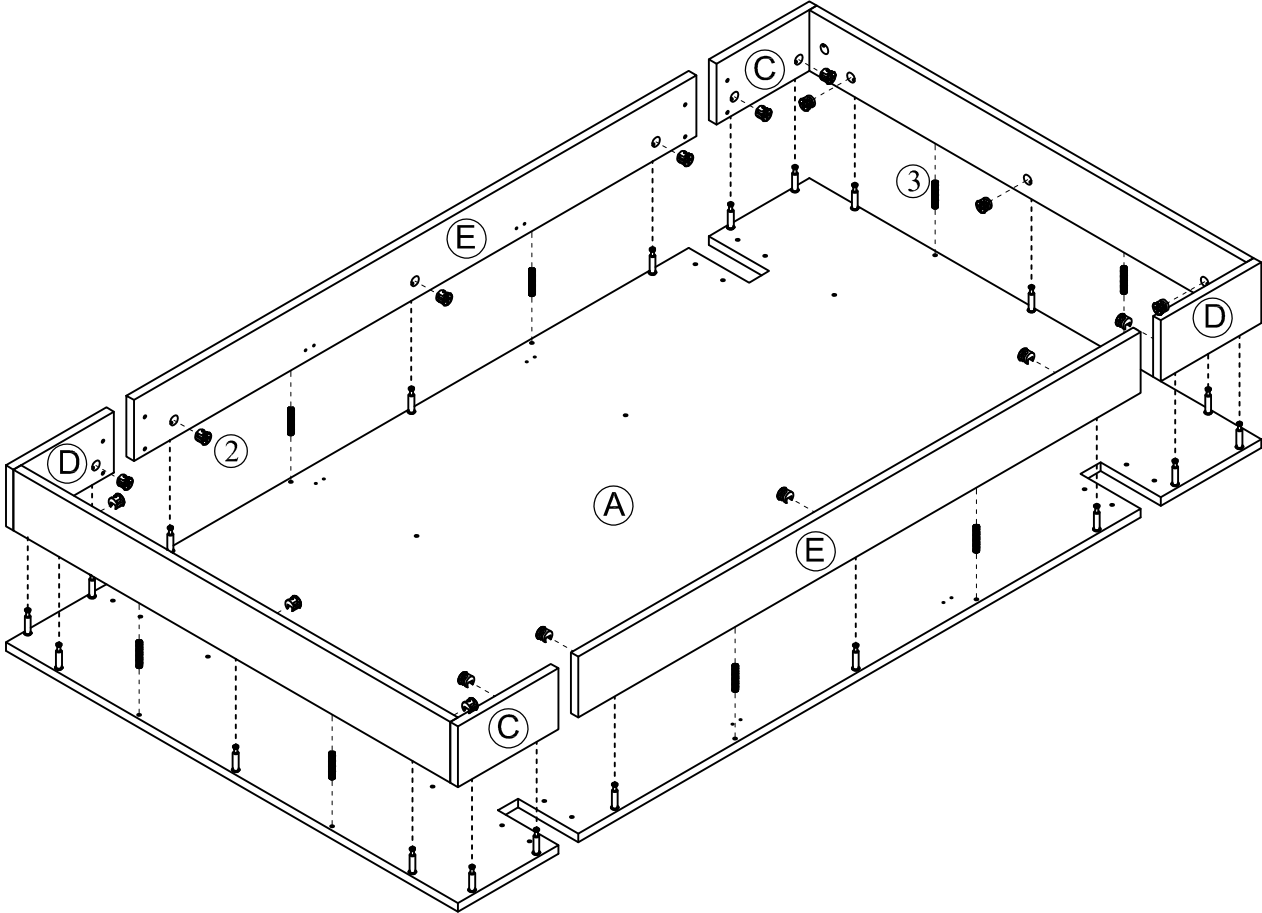
Instruction Manual

Please save this manual for future reference.

Product Name:	Oak Finish MDF Wood Black Metal Dining Table

Step 4

② × 20

③ × 8


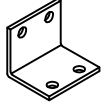



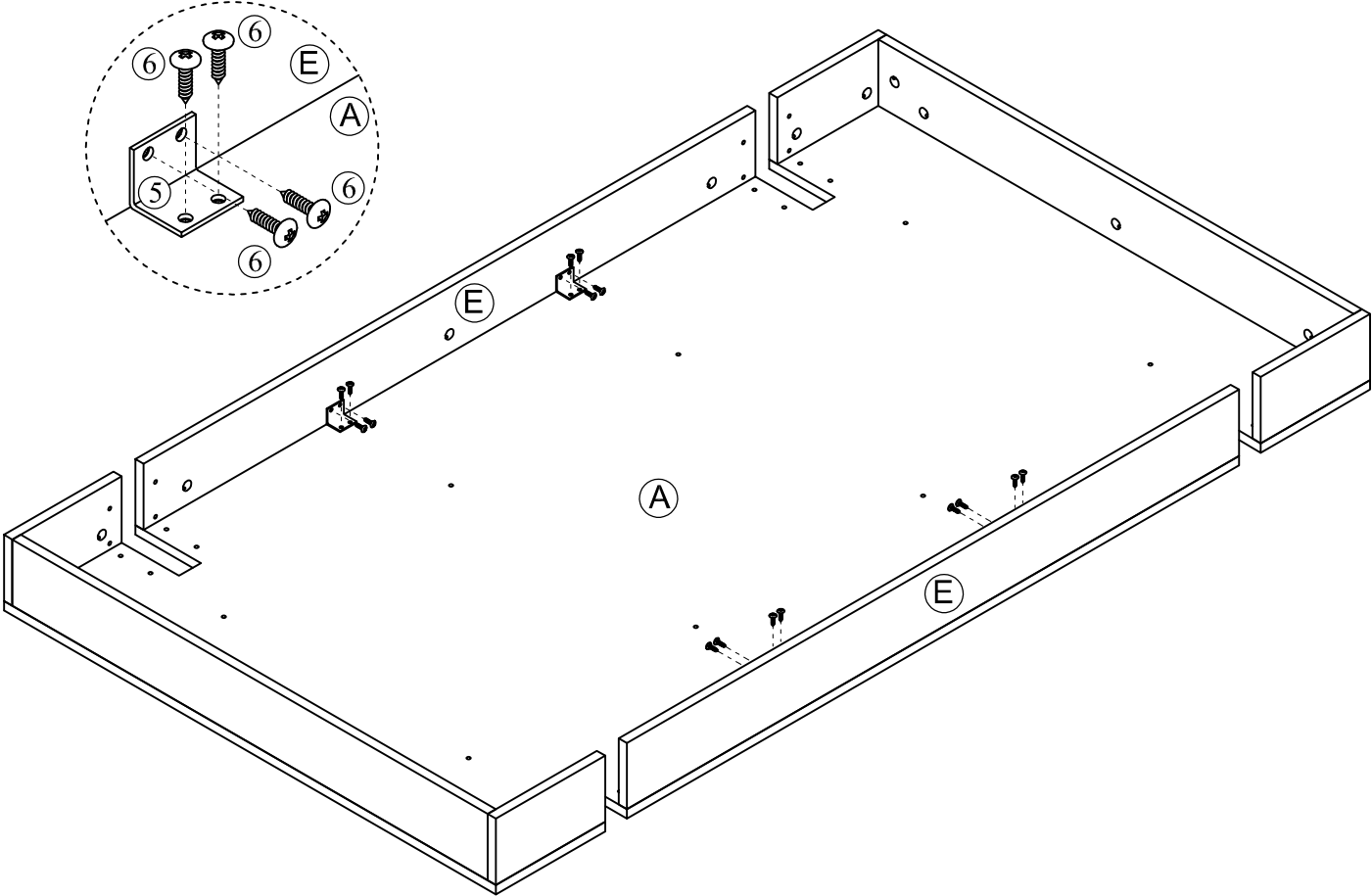
Instruction Manual

Please save this manual for future reference.

Product Name:	Oak Finish MDF Wood Black Metal Dining Table

Step 5

⑤ ×4

⑥ ×16


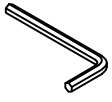



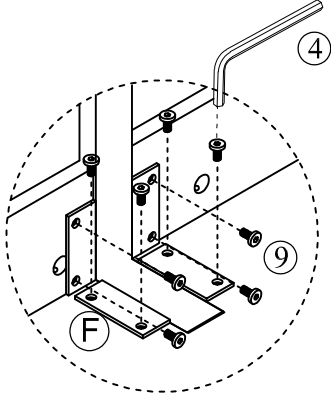
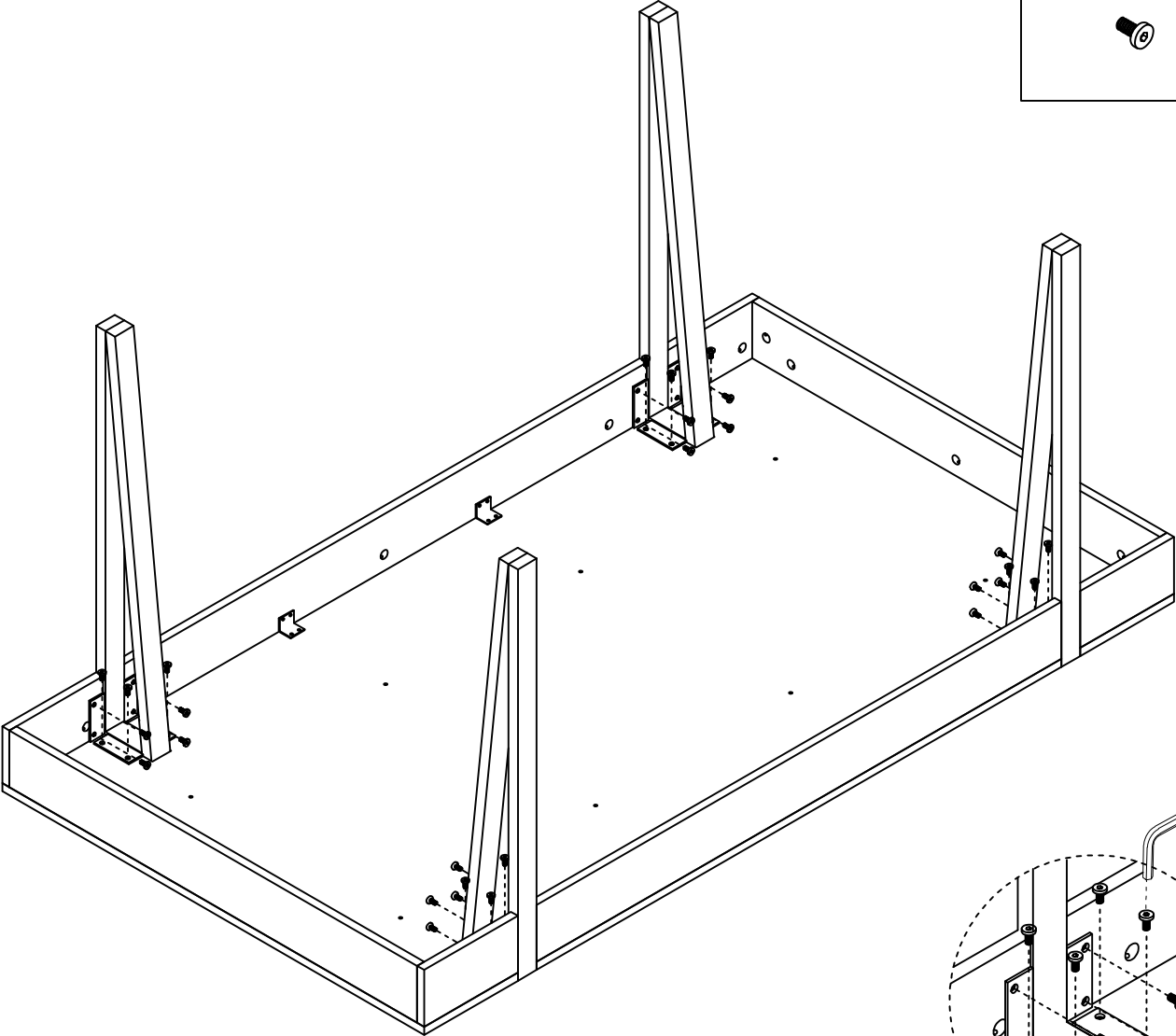
Instruction Manual

Please save this manual for future reference.

Product Name:	Oak Finish MDF Wood Black Metal Dining Table

Step 6

④ ×1

⑨ ×32


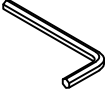




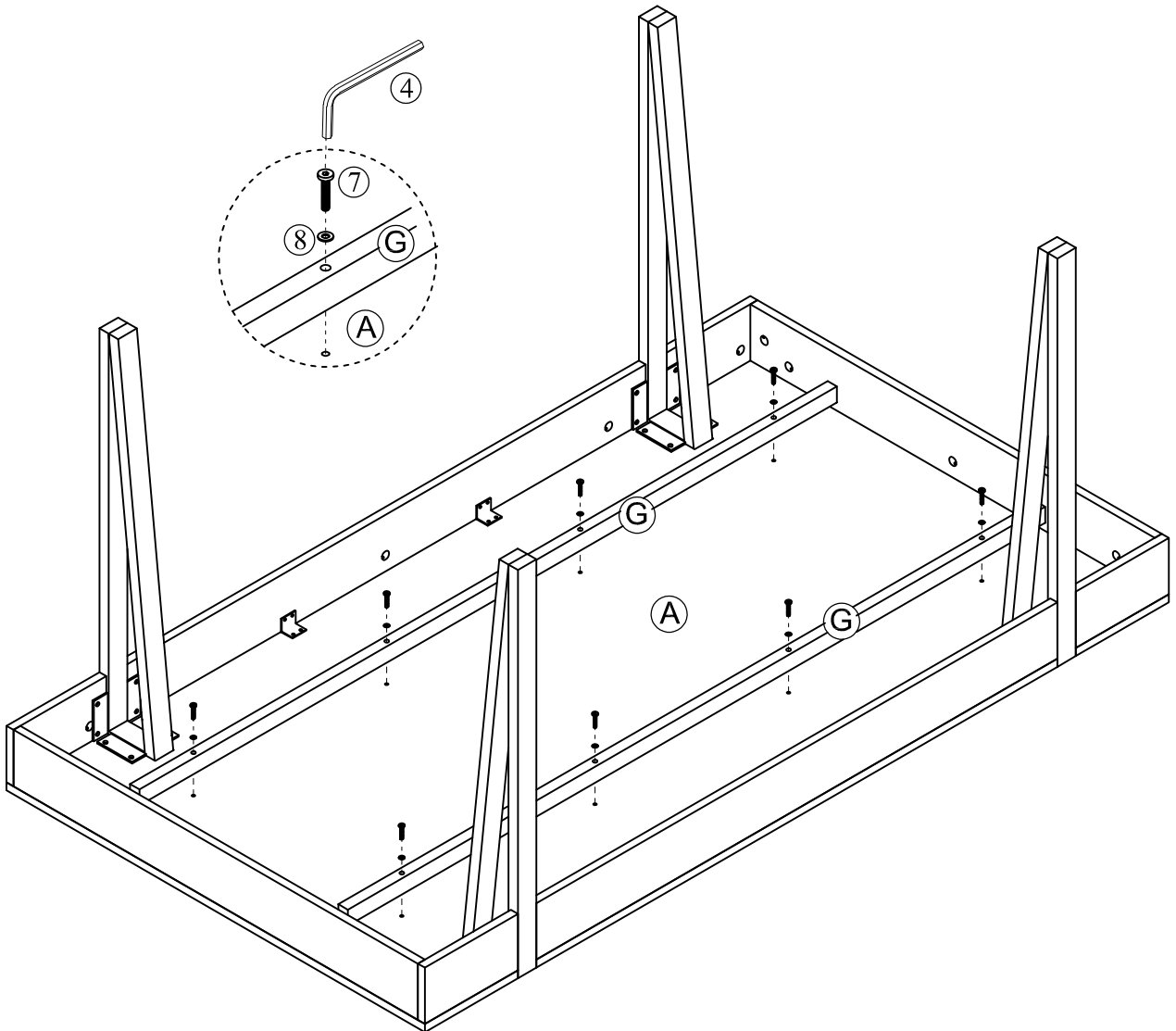
Instruction Manual

Please save this manual for future reference.

Product Name:	Oak Finish MDF Wood Black Metal Dining Table
#:	

Step 7

④ ×1	⑦ ×8
	
	⑧ ×8
	



Instruction Manual

Please save this manual for future reference.

Product Name:	Oak Finish MDF Wood Black Metal Dining Table

Step 8

