

# BARBERPUB BEAUTY BED

User Guide

6153-N2751



# DEVELOPMENT HISTORY



# CONTENTS



Attention Points **01**

---

Assembly Instructions **02**

---

- Parts List
- Assembly Steps

Introduction for Control Panel **12**

---

Operating Instructions **13**

---

Warranty Information **15**

---

- Warranty Period
- Warranty Exclusions
- Warranty Coverage

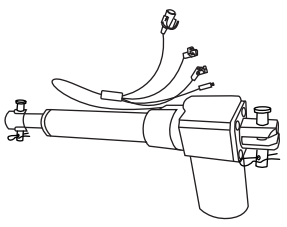
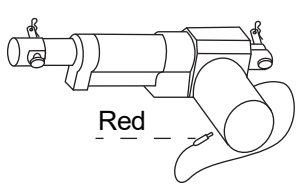
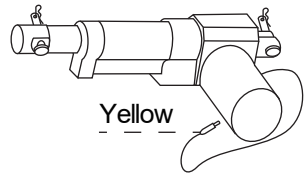
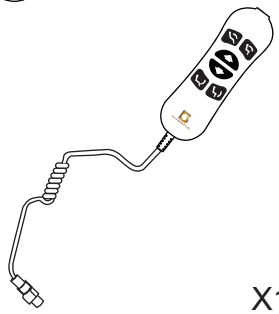
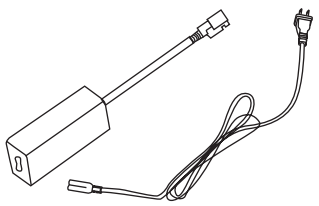
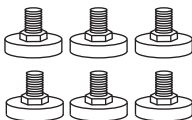
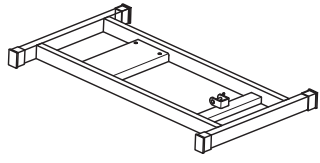
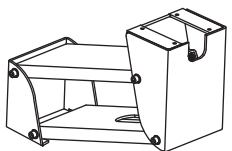
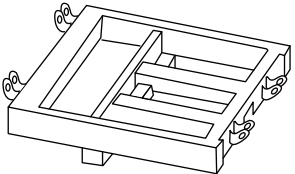
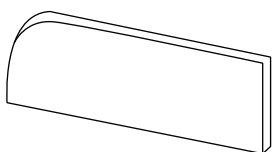
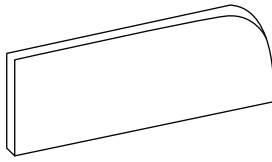
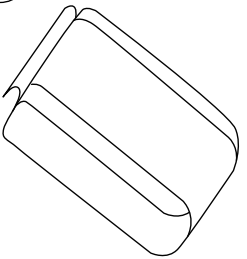
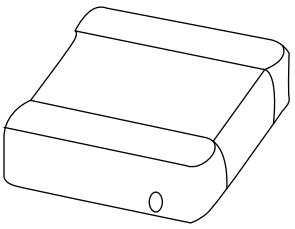
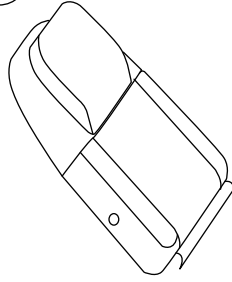
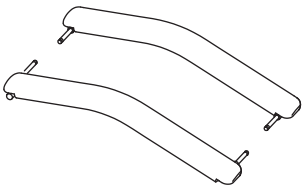
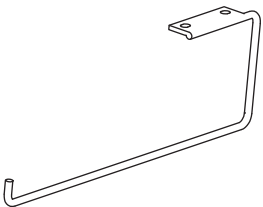
# ATTENTION POINTS

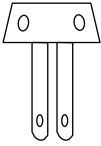

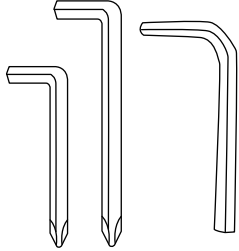
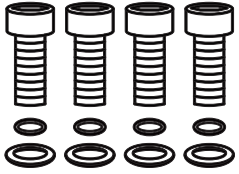
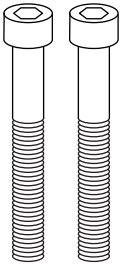
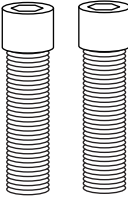

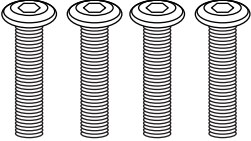
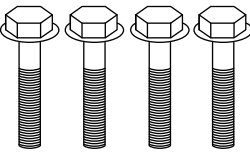
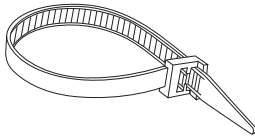
To reduce risk of injury, read all of these instructions before assembling and using your salon bed.

1. Do not over-extend the chair(0-350lbs), creating the risk of falls or tipping the chair, and its occupant over, resulting in injury.
2. Please seat on the seat cushion instead of the backrest part as the weight may cause the break of the metal connection.
3. Other items you will need (NOT INCLUDED)  
Hand Tools: Wrench, Rubber Mallet, Screwdriver (Phillips).
4. To avoid electric shock, please do not plug or unplug the power plug with wet hands.
5. Do not turn on the power until the product has been installed.
6. Please put the power cord away so that pedestrians will not trip over it.
7. Please use a soft towel with diluted neutral detergent for surface cleaning.
8. Unplug the product when not in use.

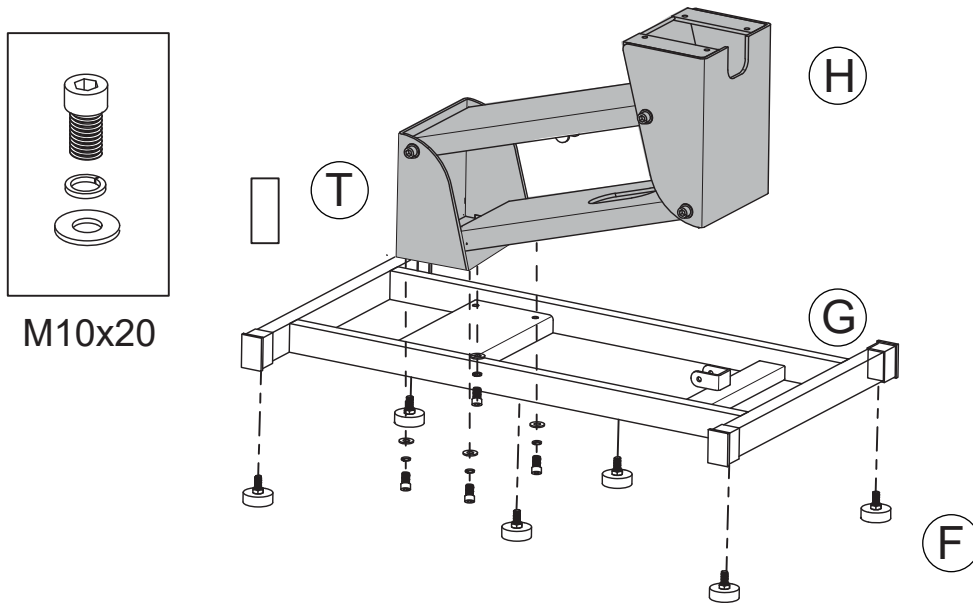
# ASSEMBLY INSTRUCTIONS

## Parts List

<p><b>(A)</b></p>  <p>Motor for Height X1</p>	<p><b>(B)</b></p>  <p>Motor for Backrest X1</p>	<p><b>(C)</b></p>  <p>Motor for Legrest X1</p>	<p><b>(D)</b></p>  <p>Remote Control X1</p>
<p><b>(E)</b></p>  <p>Transformer X1</p>	<p><b>(F)</b></p>  <p>Foot Pin X1</p>	<p><b>(G)</b></p>  <p>Base X1</p>	<p><b>(H)</b></p>  <p>Push Rod Support X1</p>
<p><b>(I)</b></p>  <p>Seat Frame X1</p>	<p><b>(J)</b></p>  <p>Side Panel on Right X1</p>	<p><b>(K)</b></p>  <p>Side Panel on Left X1</p>	<p><b>(L)</b></p>  <p>Legrest X1</p>
<p><b>(M)</b></p>  <p>Seat Cushion X1</p>	<p><b>(N)</b></p>  <p>Backrest X1</p>	<p><b>(O)</b></p>  <p>Armrest X1</p>	<p><b>(P)</b></p>  <p>Towel Hook X1</p>

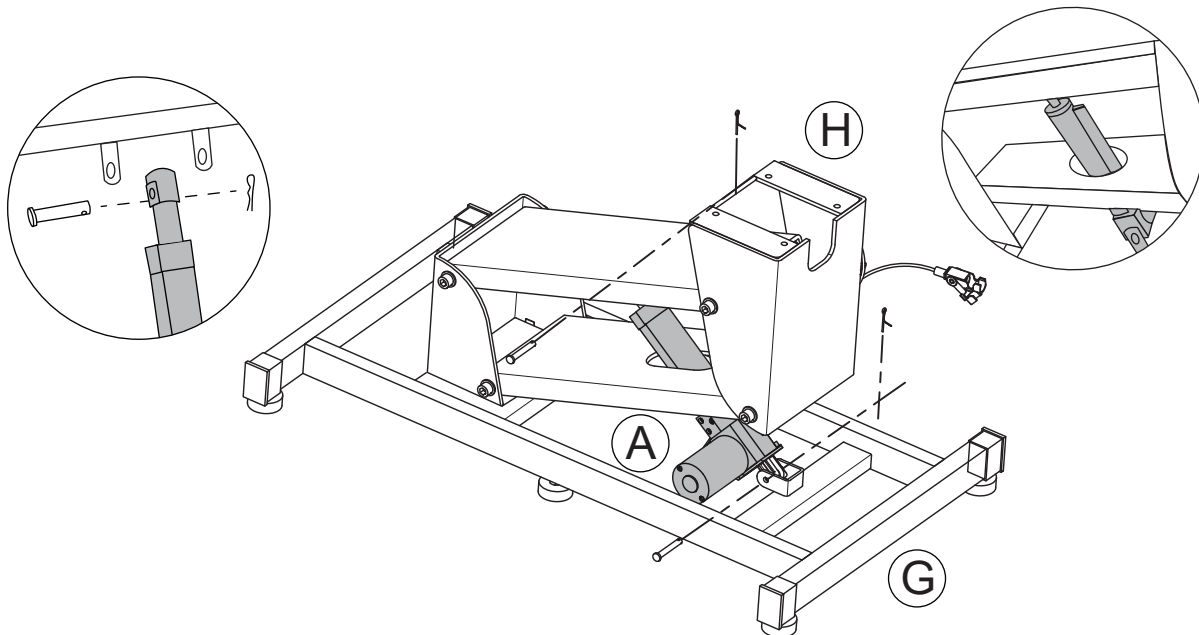
<p><b>Q</b></p>  <p>Metal Piece on Backrest X1</p>	<p><b>R</b></p>  <p>Open end wrench X1</p>	<p><b>S</b></p>  <p>Wrench X1</p>	<p><b>T</b></p>  <p>M10x20 bolt X1</p>
<p><b>U</b></p>  <p>M8x65 bolt X1</p>	<p><b>V</b></p>  <p>M8x45 bolt X1</p>	<p><b>W</b></p>  <p>Gasket X8</p>	<p><b>X</b></p>  <p>M8x40 bolt X1</p>
<p><b>Y</b></p>  <p>M10x45 bolt X1</p>	<p><b>Z</b></p>  <p>Cable ties X3</p>		

1 Install Push Rod Support to Base



Install 6\*F onto G, then secure H to G with 4 bolts (M10X20).

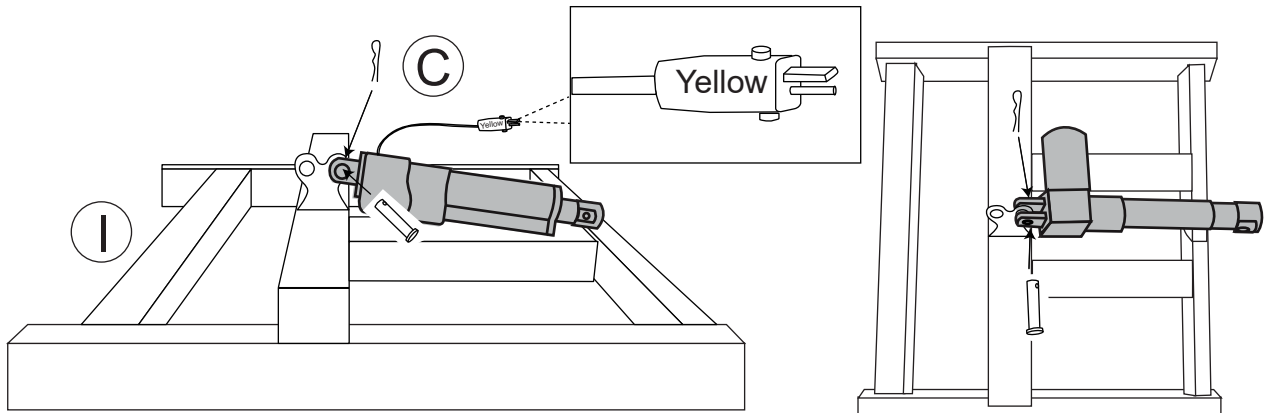
2 Install Motor A



Remove the pins pre-installed on the motor A; then connect the motor A to H and G.

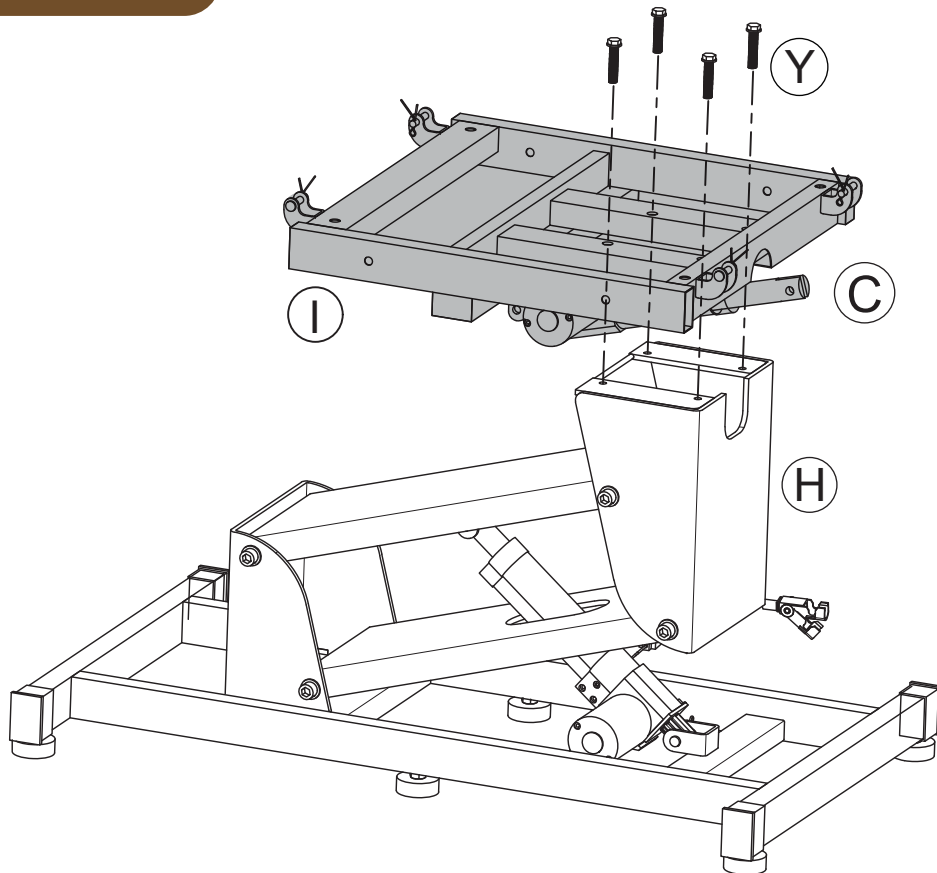
**Note:** pay attention to the direction of motor installation.

### 3 Connect Motor C to Base



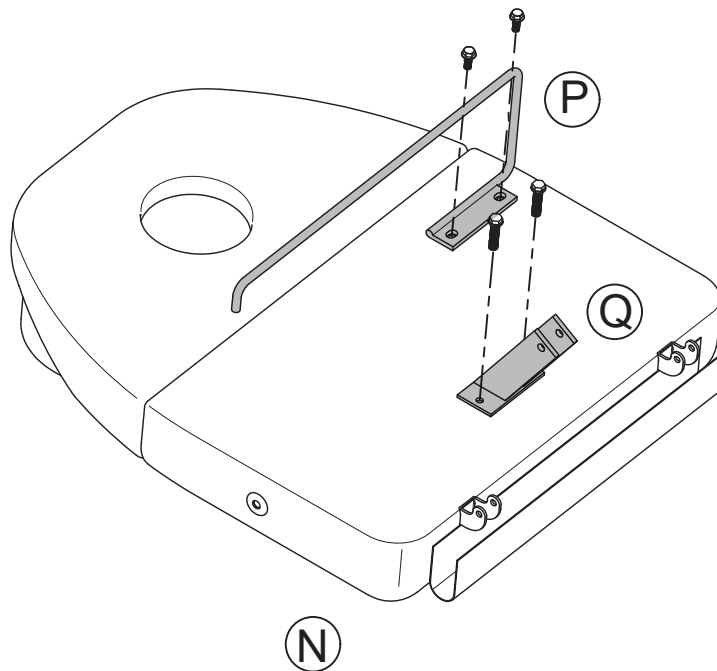
Remove the pins preinstalled on the motor C, and then connect motor C with I

### 4 Install Seat Frame



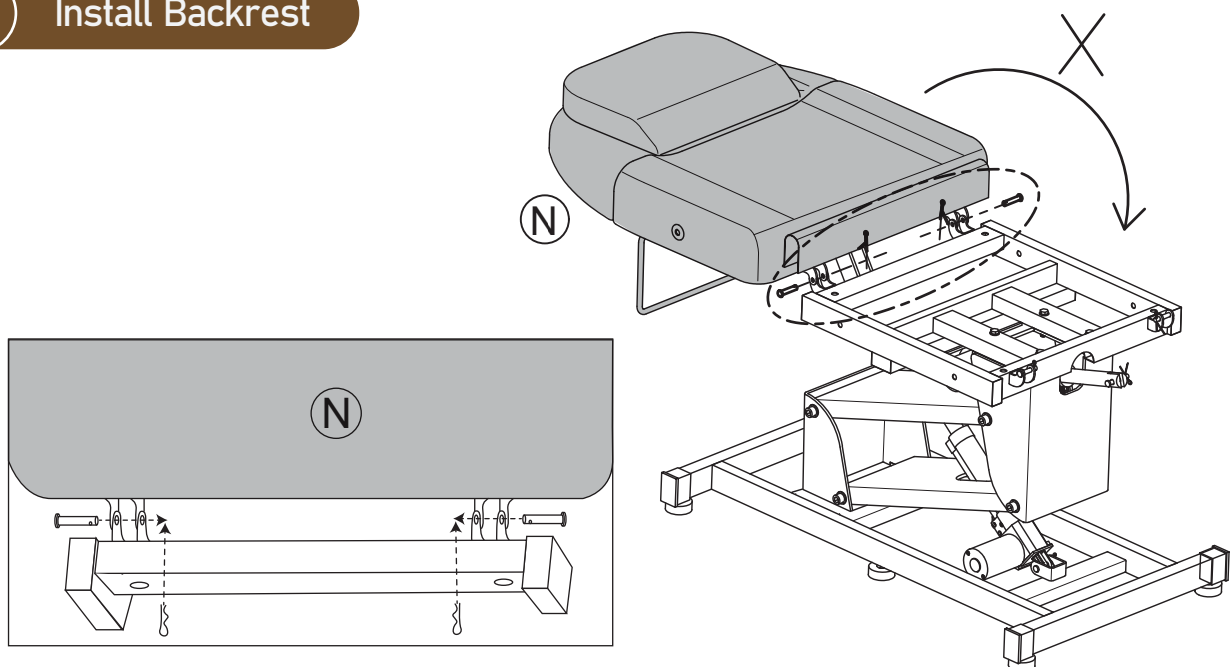
Install the seat frame with 4\*M10x45.

## 5 Install Towel Hook & Metal Piece on Backrest



Remove the preinstalled bolts of N; then install Q and P on N.

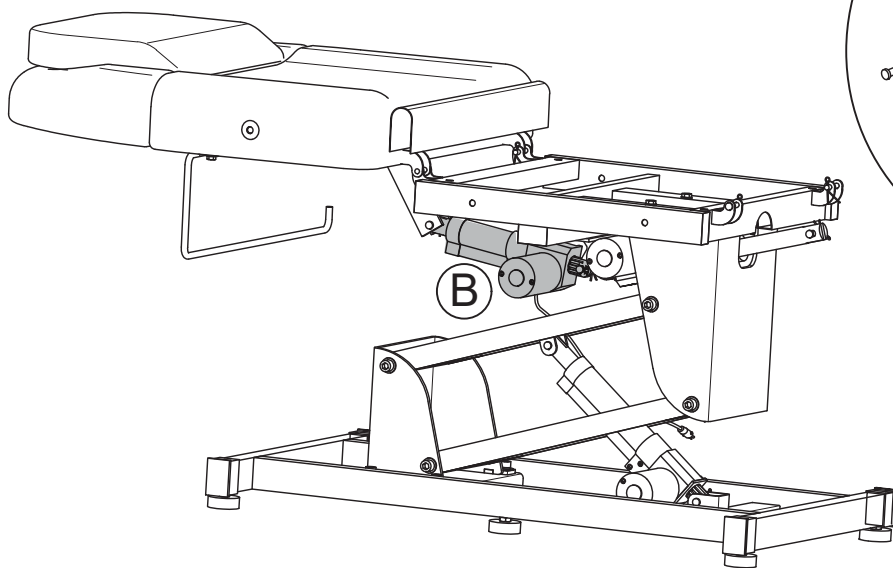
## 6 Install Backrest



Firstly, remove the preinstalled pins and cotter pins; Please note that the pins must be secured from the outside inward;  
Secondly, the backrest cannot be folded towards the middle direction.

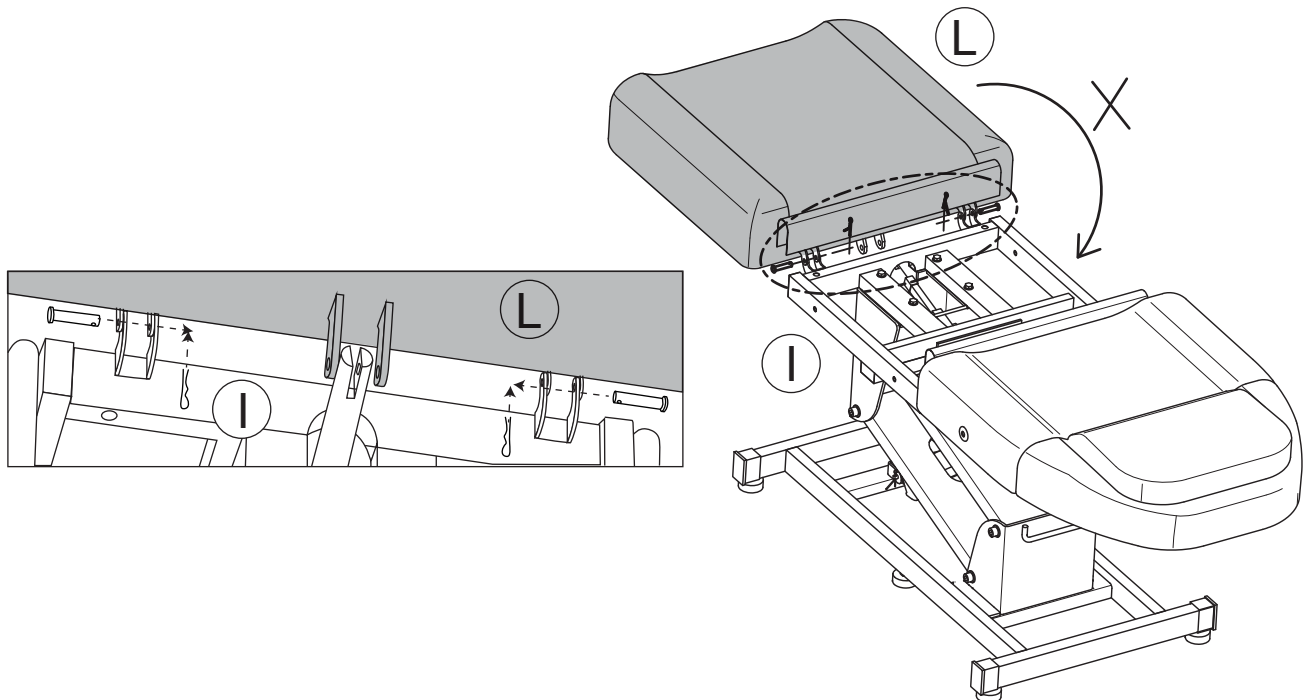
**Note:** If you are unable to connect to the backrest at this step, you can wait until the power is connected at the end and then adjust the backrest angle to attempt the connection.

## 7 Install Motor B



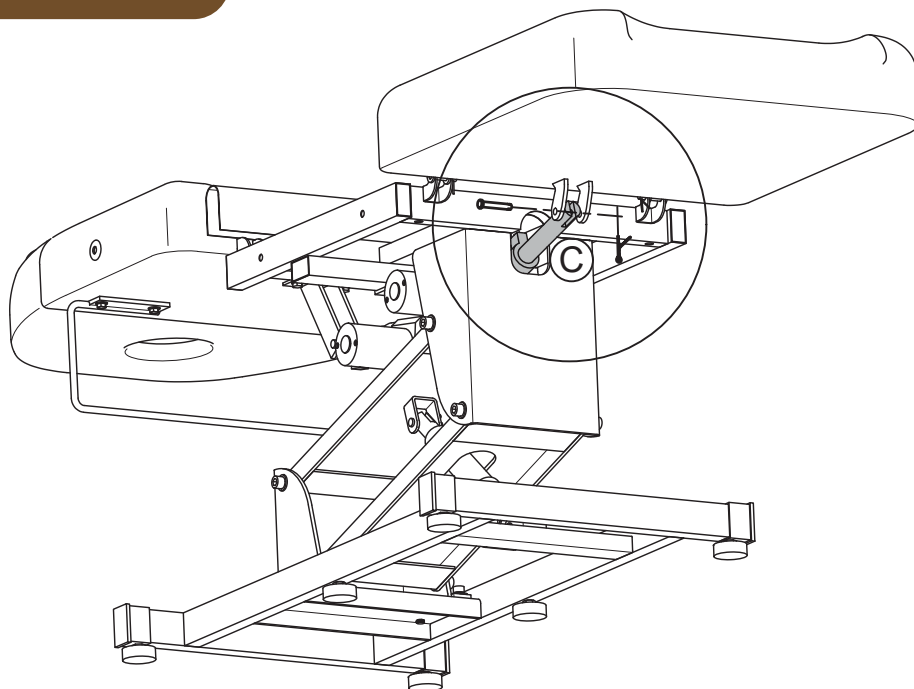
Remove the pins preinstalled on the motor B (with red connector), and then connect motor B to the metal piece on I and the backrest.

## 8 Install Legrest



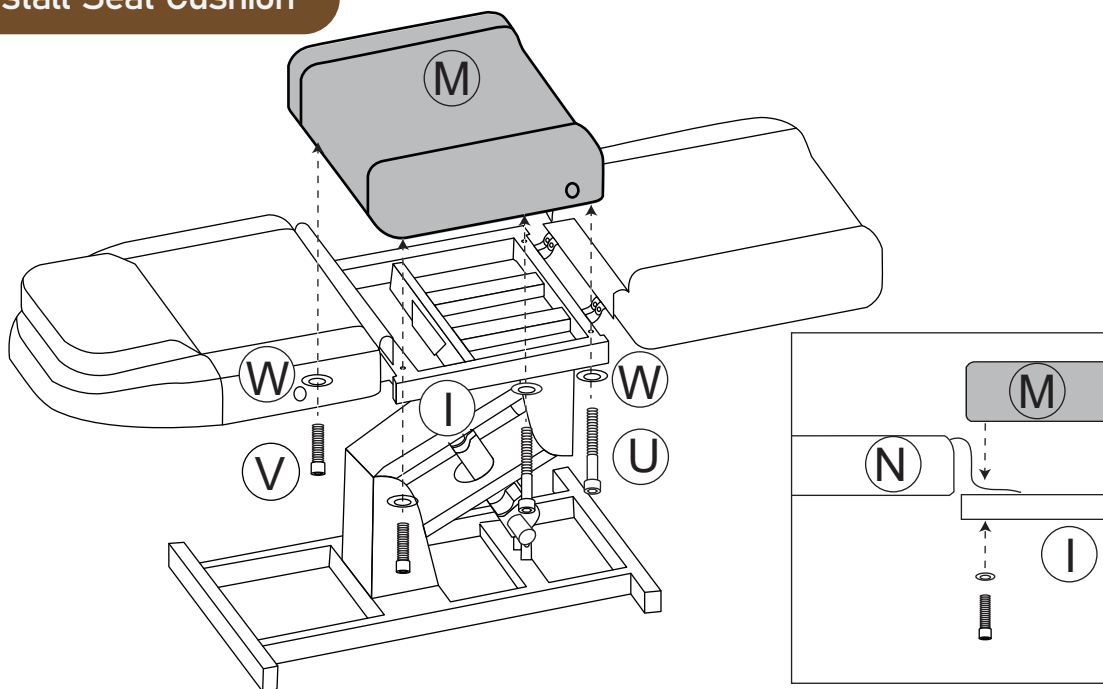
Remove the pre-installed pins and cotter pins, then install L. Please note that the pins must be secured from the outside in.

## 9 Connect Motor C



Remove the motor C (yellow connector) preinstalled pins, and then connect the motor C to the iron piece on L.

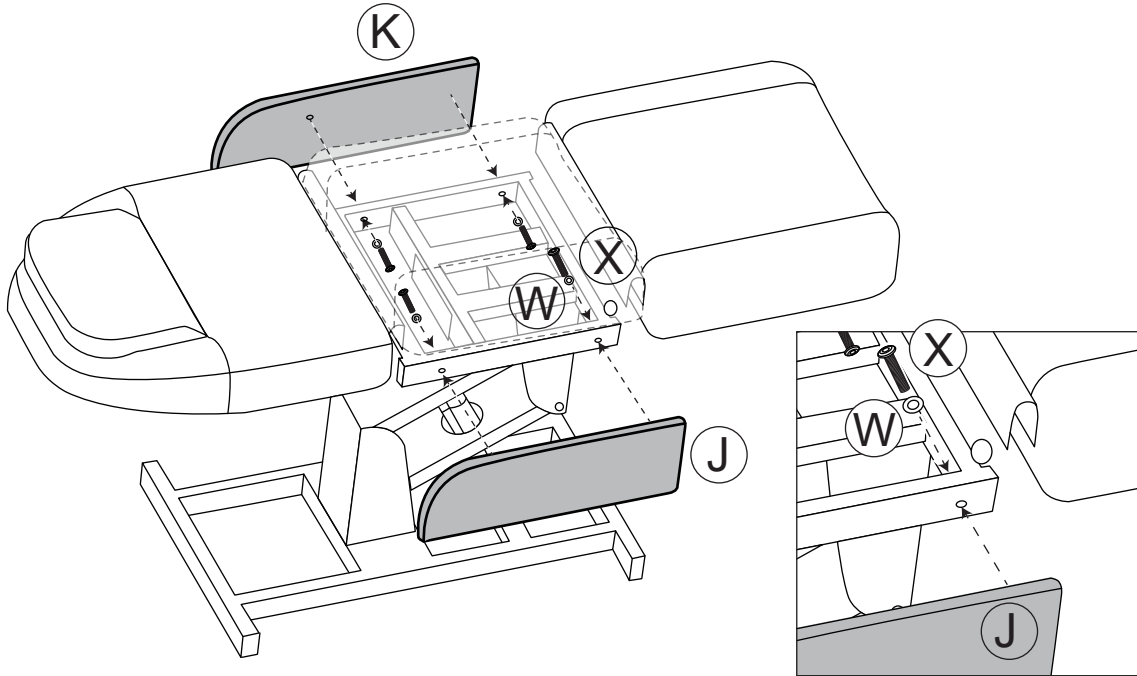
## 10 Install Seat Cushion



Install M to I as the picture shows. Attention: The screws for backrest are shorter than the legrest.

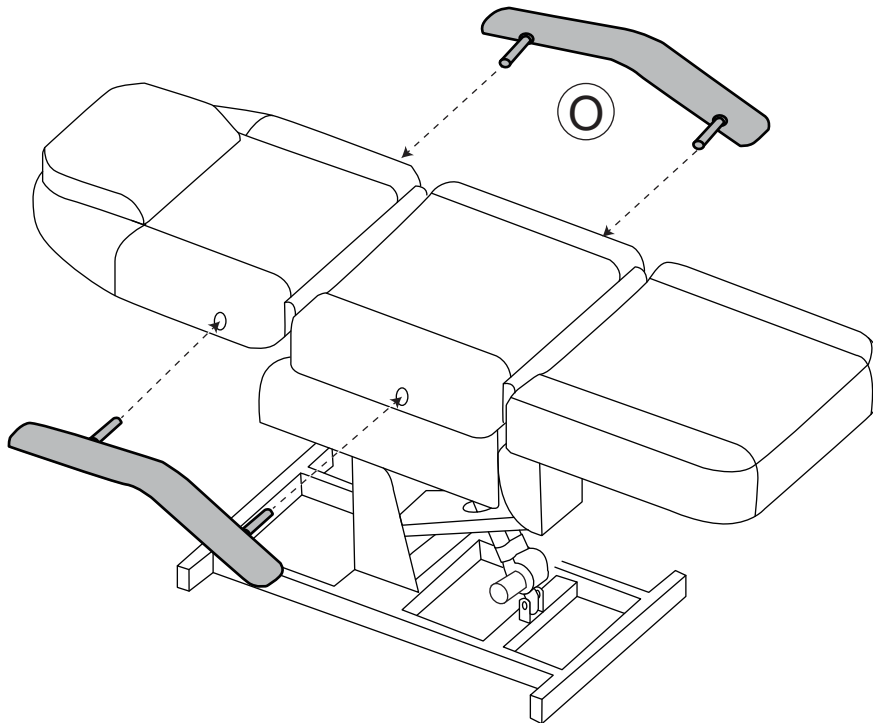
**Note:** Please put a little leather on the seat frame before fixing the seat cushion to cover the gap between the backrest/legrest and seat. Please do not insert too much as it will the leather will be strain when lay flat.

## 11 Install Side Panels



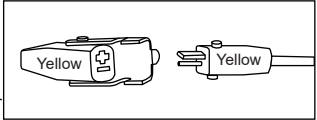
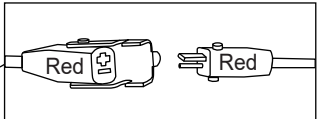
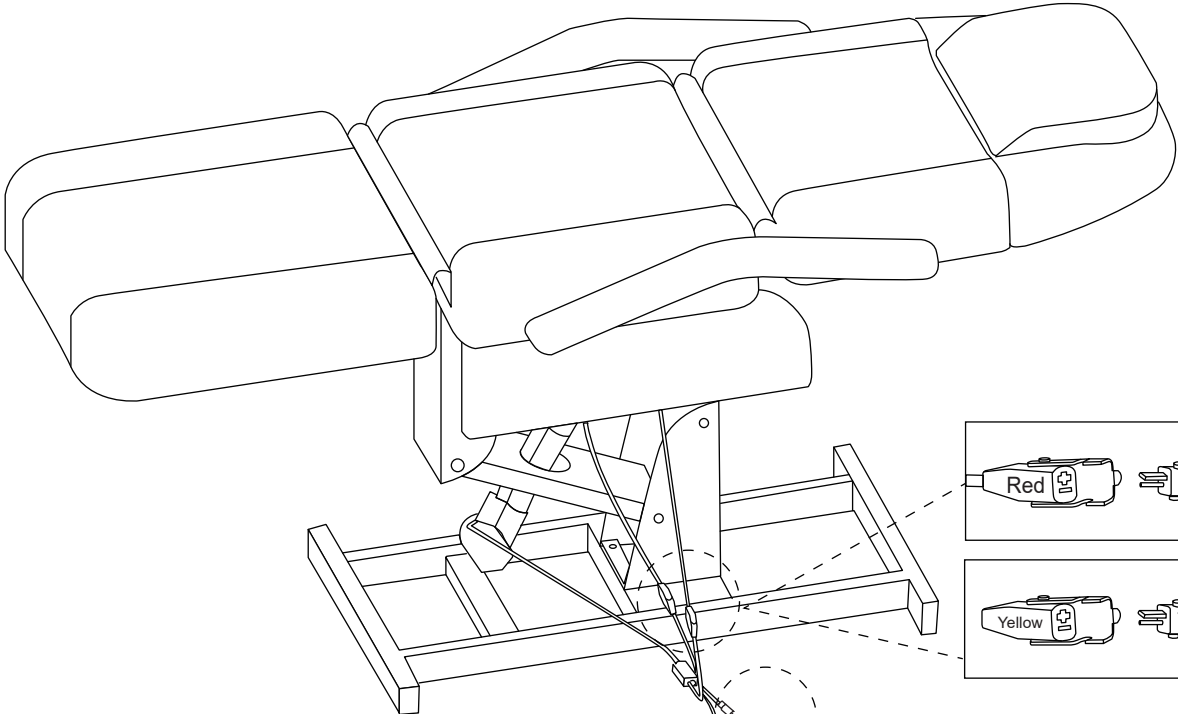
Install K, J on I via 4 gaskets and 4 M8x35 bolts.

## 12 Install Armrests

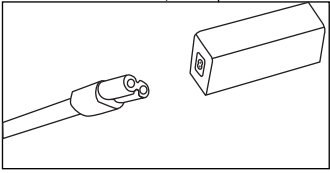
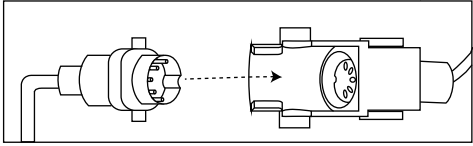


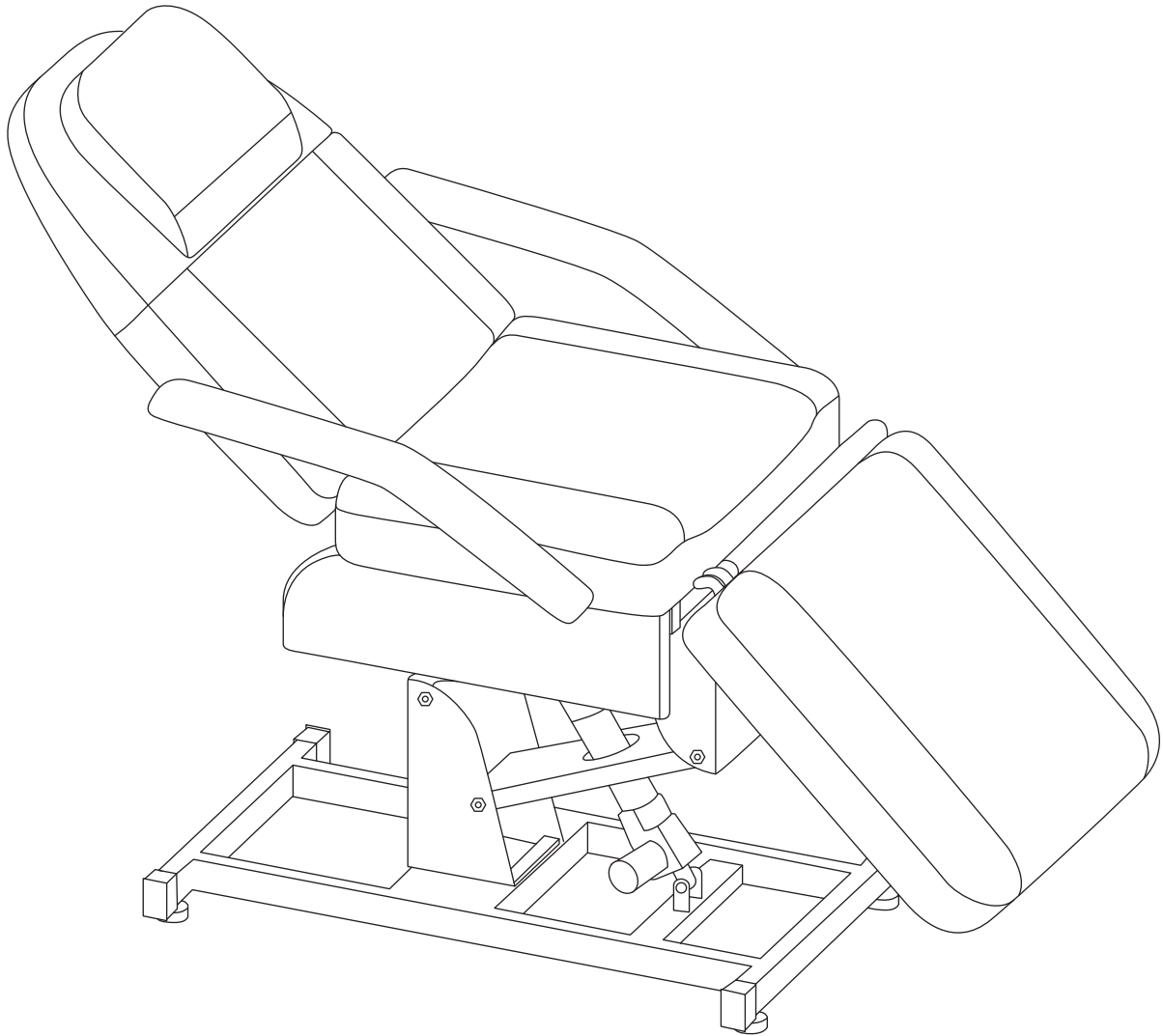
Install 2 armrests O to 2 sides of the bed as the picture shows.

# 13 Connect the wires

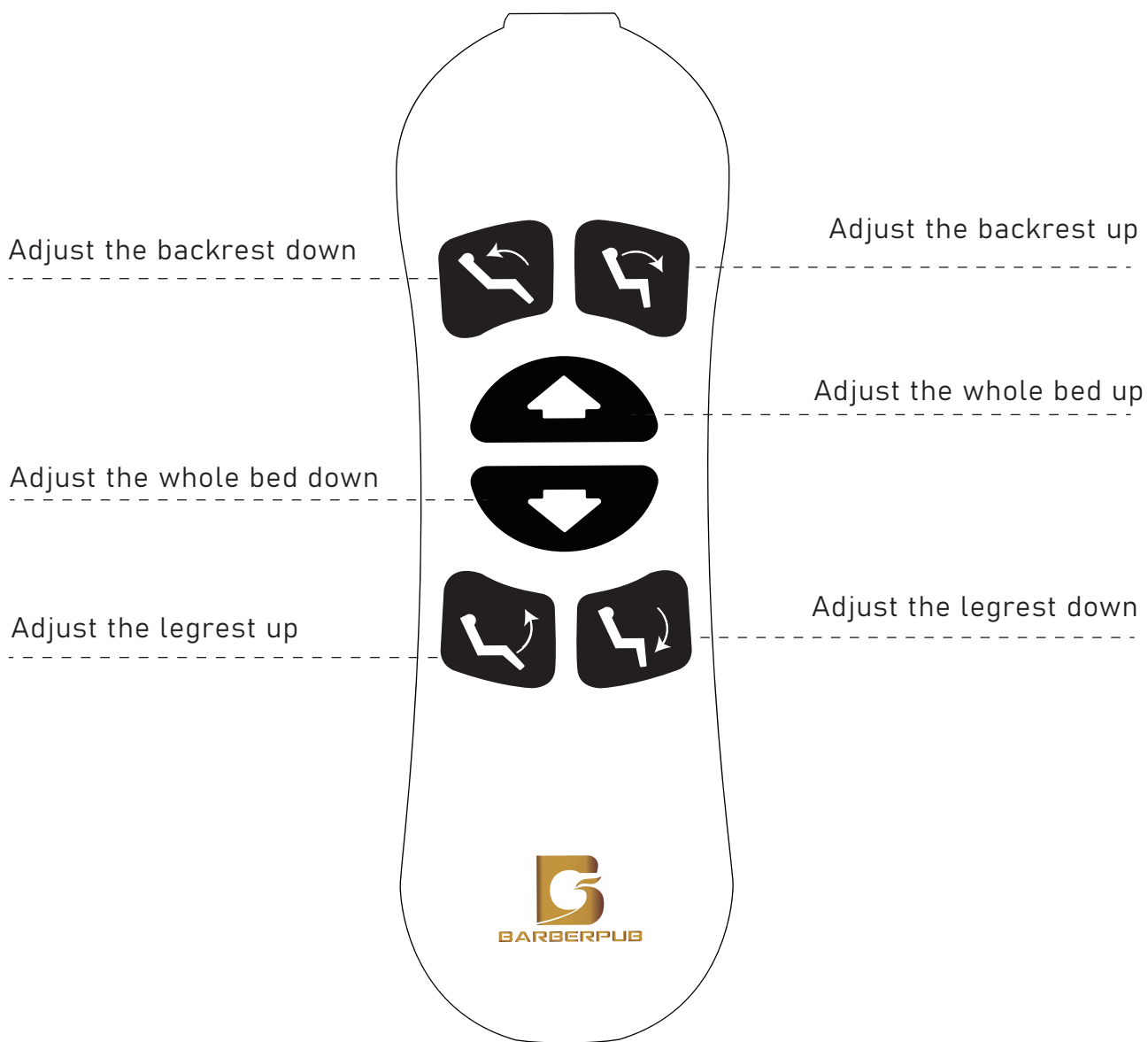


**Notice** Please pay attention to connect the same color wires and connectors.



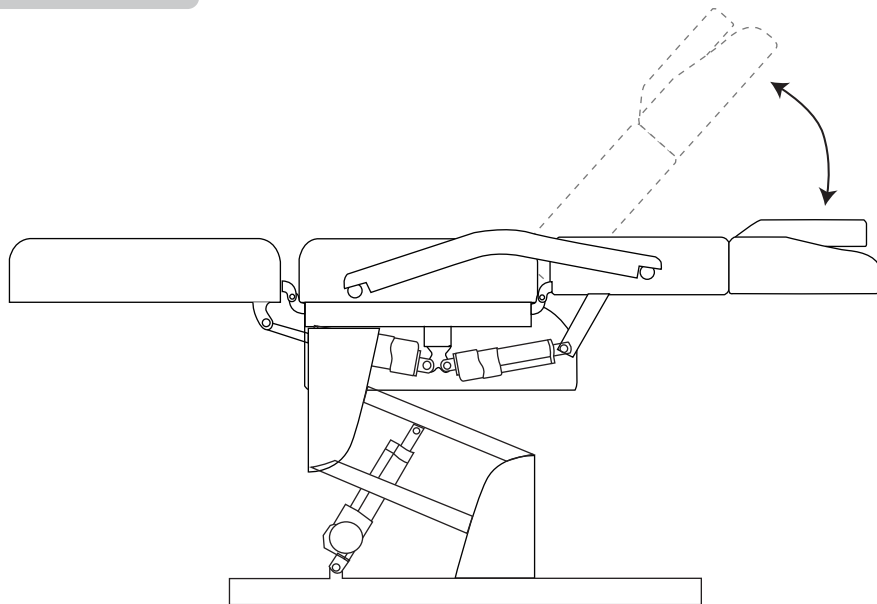




# INTRODUCTION FOR CONTROL PANEL



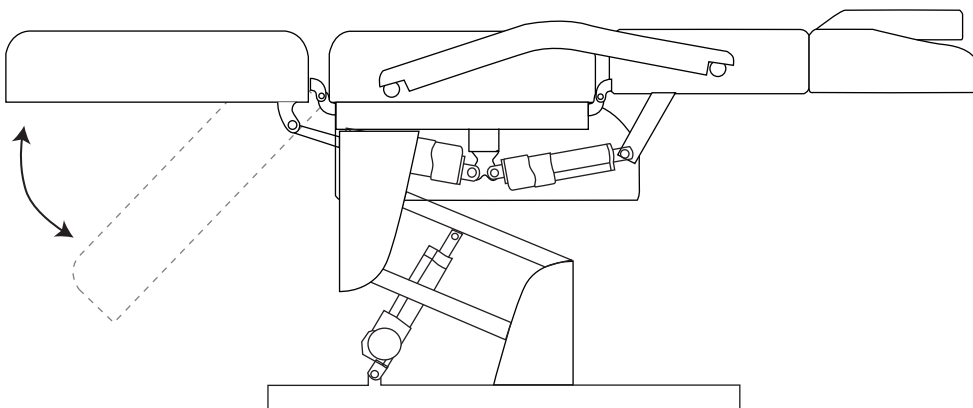
# OPERATING INSTRUCTIONS



## Backrest Adjustment



Press  to  adjust the incline angel of the backrest.

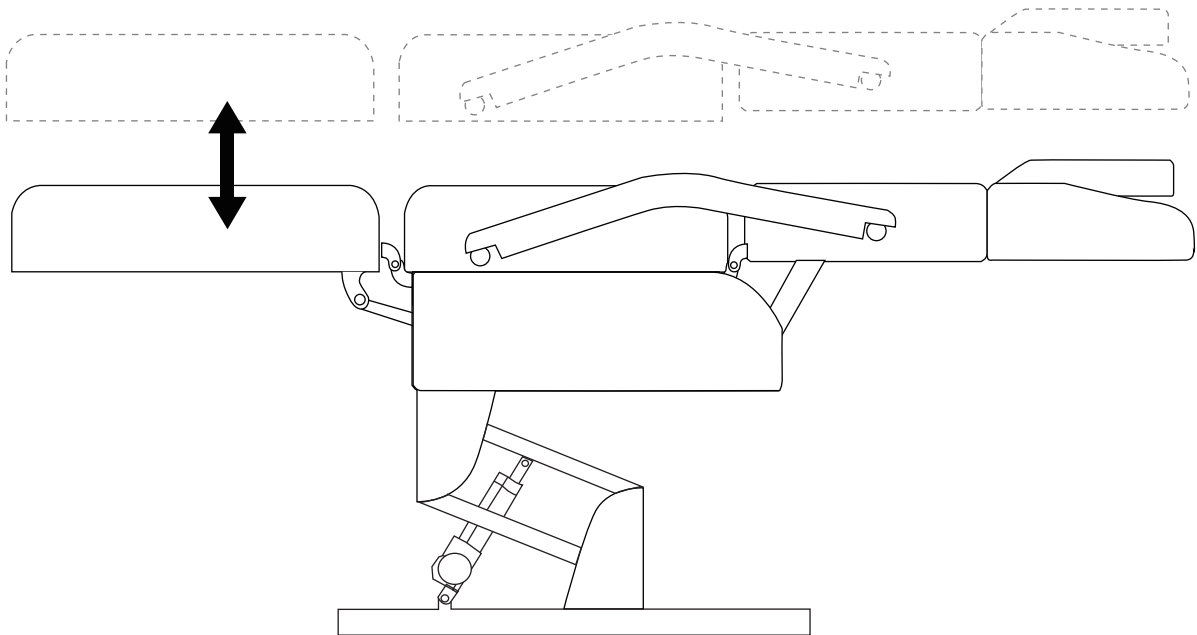
## Legrest Adjustment





Press  to  adjust the incline angel of the legrest.

# OPERATING INSTRUCTIONS

## Height Adjustment



Press  or  to adjust the whole bed up or down.

# WARRANTY INFORMATION

## Warranty Period

Parts	Period
Motor	1 Year
Remote Control	
Base	
Headrest	
Armrest	
Legrest	
Backrest	
Seat Cushion	

## Warranty Exclusions

Please note that regular wear and tear of the bed frame and cushions are not covered under this warranty. This includes, but is not limited to:

- Scratches, dents, stains or other surface damage from everyday use
- Natural aging and material degradation over time
- Minor cosmetic damages that do not affect the functionality of the product

This warranty specifically covers manufacturing defects and faults in materials under normal usage conditions.

For any warranty claims, proof of purchase and photos must be provided. The manufacturer reserves the right to determine whether the damage falls under warranty coverage.

## Warranty Coverage

If you have any problems after receiving the product, please send us an email directly with the attached images and a description of your claim.

### Missing/Damage Parts

#### (1) Missing

- Multi-boxes transportation

The product may be delivered in multiple packages. Please check the box numbers you received. If the product comes in multiple boxes and you did not receive all, please contact customer service promptly to get the shipping status of the other packages.

- Take a photo of the parts received

After receiving the complete boxes, if any parts are still missing, a photo of the parts and the outer boxes you received are required. Circle the missing parts in the instruction and inform us, this helps our staff identify the parts number to ensure which you are missing.

- Required part number and quantity

Please check the instruction and tell us the damaged part numbers and quantity you need so we can reship correctly.

#### (2) Damage

- Take a photo of the outer box/damaged parts

The photos of the outer boxes and damage is always required to file a claim and get your replacement parts or refund processed quickly.

- Required part number and quantity.

Please check the instruction and tell us the damaged part numbers and quantity you need so we can reship correctly.

### Return&Refund

- Don't discard the boxes/original packaging

In case a return is required, the item must be returned in original condition and box. Without this your return will not be accepted.

# BARBERPUB

THE CHOICE OF MILLIONS OF CUSTOMERS



✉ [sales@barberpub.com](mailto:sales@barberpub.com)

☎ 1-323-597-1109

🌐 [www.barberpub.com](http://www.barberpub.com) [Amazon.com/barberpub](https://Amazon.com/barberpub)