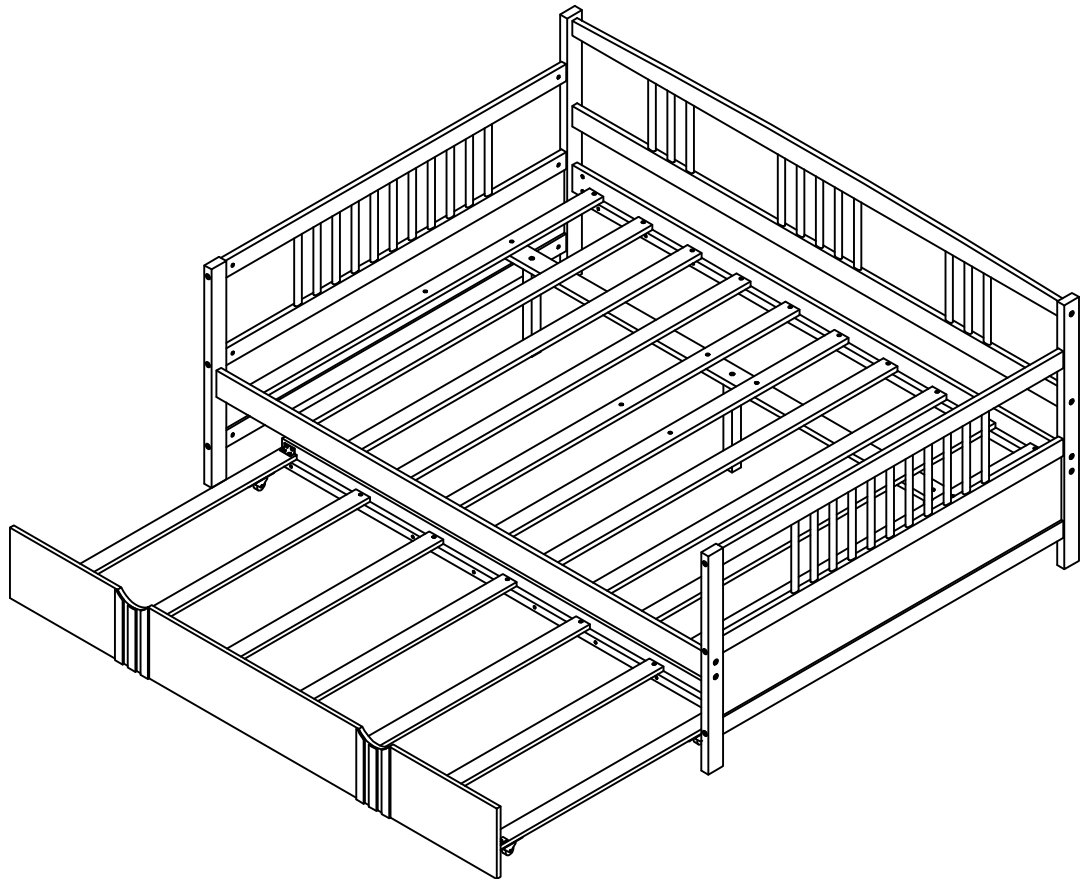
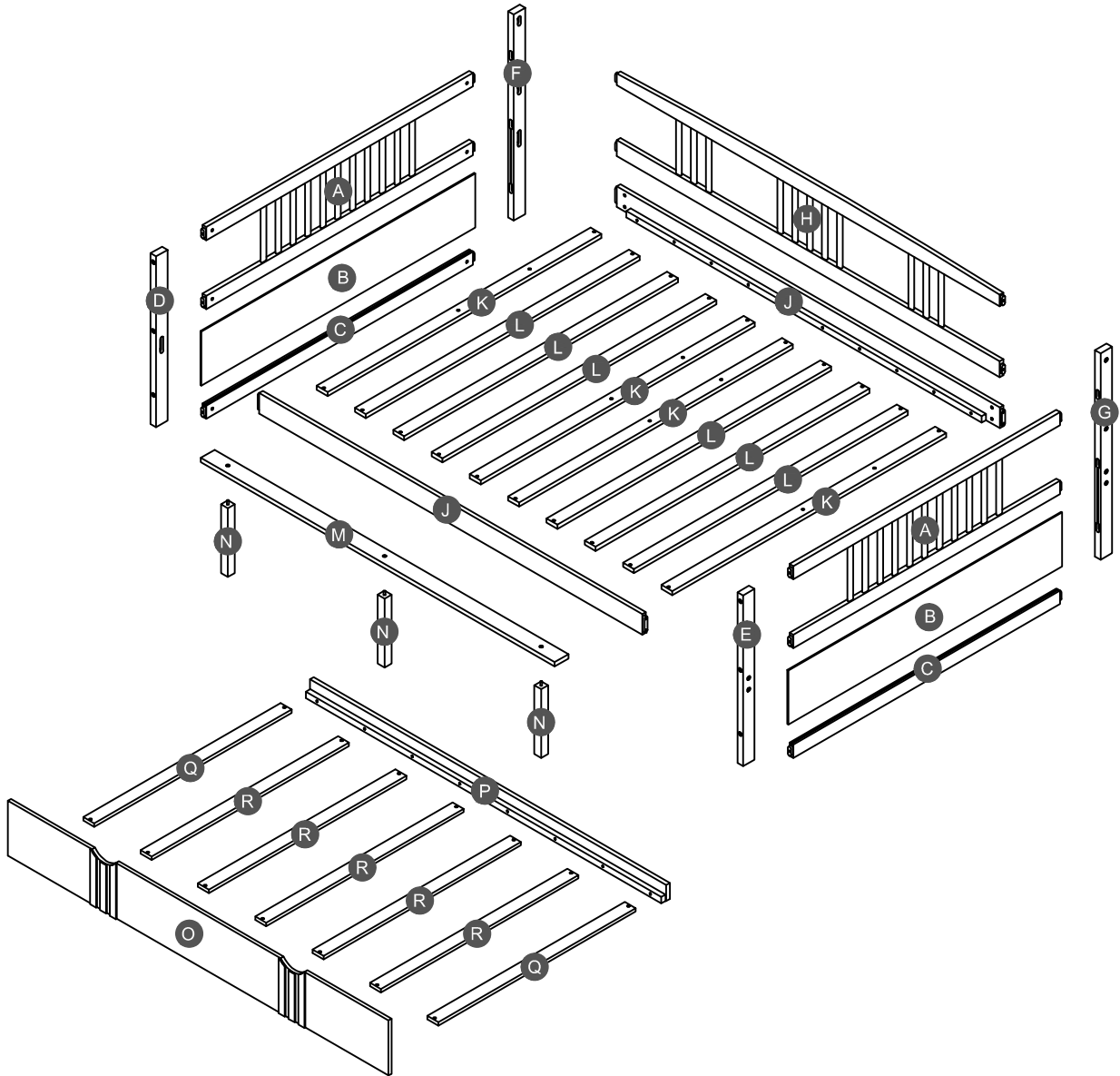


# ASSEMBLY INSTRUCTIONS

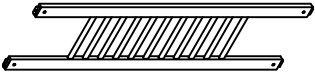
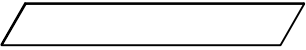

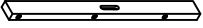
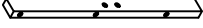
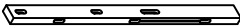
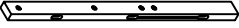
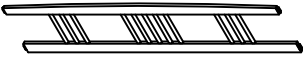


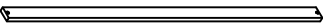

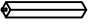
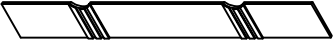

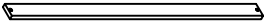
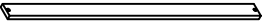
## FULL DAYBED WITH TRUNDLE



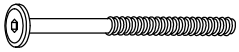
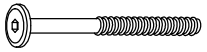



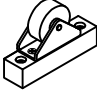


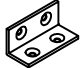
# Detail View



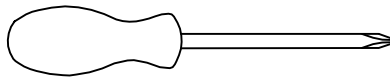
# Part List

<b>A</b>  Frame HB/FB - 2pcs	<b>B</b>  Side panel - 2pcs	<b>C</b>  Horizontal bar - 2pcs
<b>D</b>  Leg (Left Front) - 1pc	<b>E</b>  Leg (Right Front) - 1pc	<b>F</b>  Leg (Left Back) - 1pc
<b>G</b>  Leg (Right Back) - 1pc	<b>H</b>  Long guard rail - 1pc	<b>J</b>  Side rail - 2pcs
<b>K</b>  Slats - 4pcs	<b>L</b>  Slats - 6pcs	<b>M</b>  Lower support slat - 1pc
<b>N</b>  Leg support -3pcs	<b>O</b>  Front panel side rail of trundle - 1pc	<b>P</b>  Back panel side rail of trundle - 1pc
<b>Q</b>  Slats - 2pcs	<b>R</b>  Slats - 5pcs	

# Hardware List

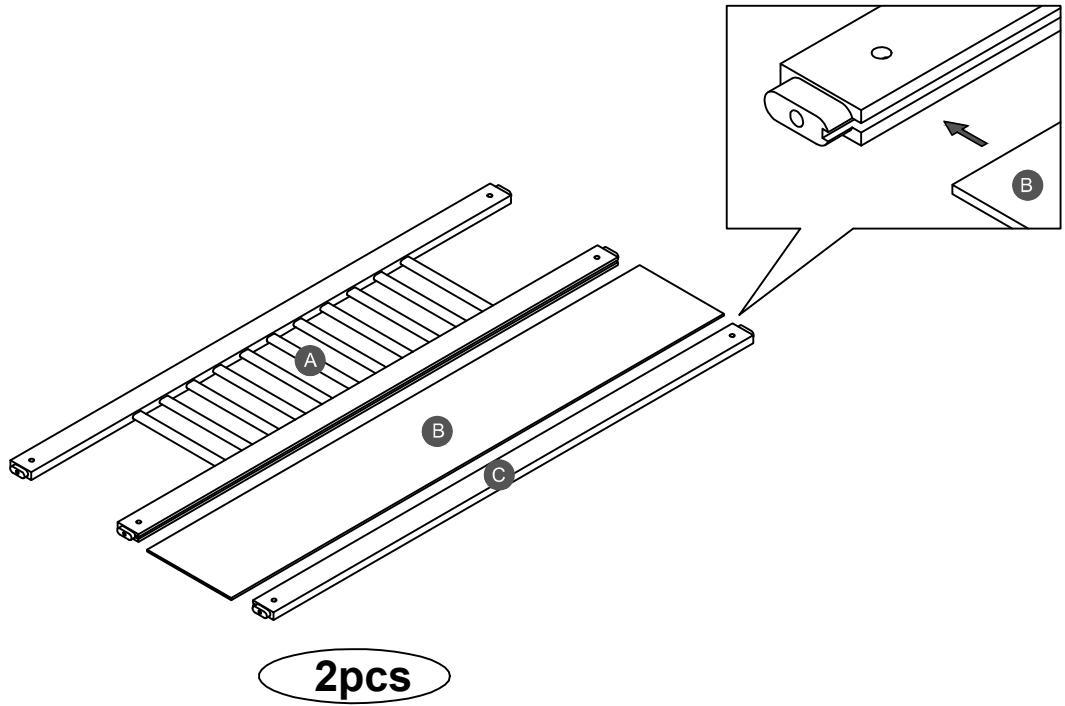
<b>1</b>  (Ø15)1/4"*100mm Hex-Head bolts (12pcs)	<b>2</b>  (Ø15)1/4"*80mm Hex-Head bolts (12pcs)	<b>3</b>  1/4"*15 (9.5mm) Horizontal-Hole bolts(24pcs)
<b>4</b>  (1/4")4.5*58mm Allen key (1pc)	<b>5</b>  Ø4*30mm Wood screws (46pcs)	<b>6</b>  100*63*20mm Wheels (4pcs)
<b>7</b>  95*95*18*3mm Metal bracket (2pcs)	<b>8</b>  ø3.5*12 mm Wood screws (16pcs)	<b>9</b>  40*18*18*2mm Metal bracket (2pcs)

## ASSEMBLY TOOLS REQUIRED ( NOT INCLUDED )





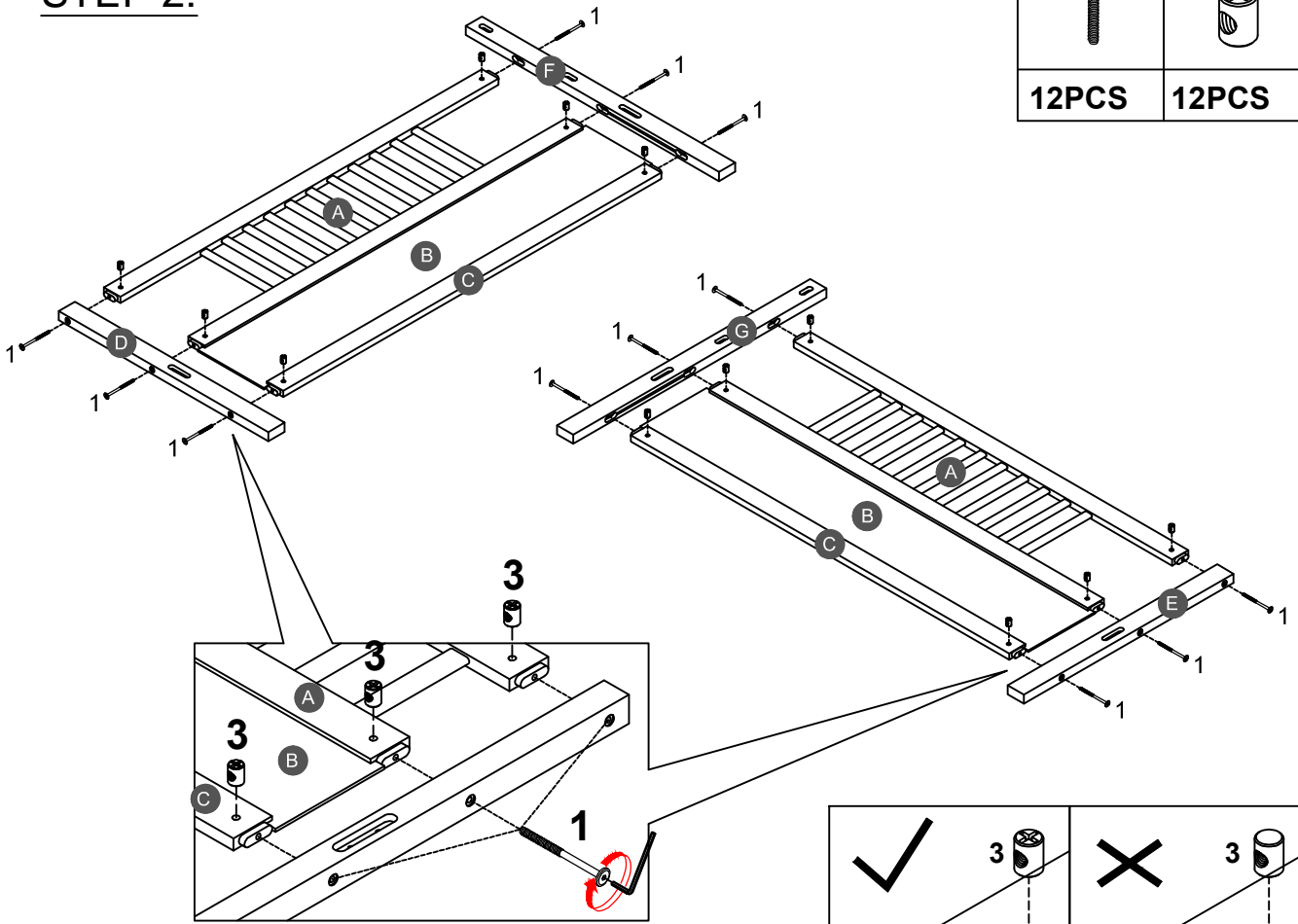
PLEASE BE CAREFUL DO NOT DAMAGE THE HOLE POSITION WHEN YOU USE POWER TOOLS !

**STEP 1:**

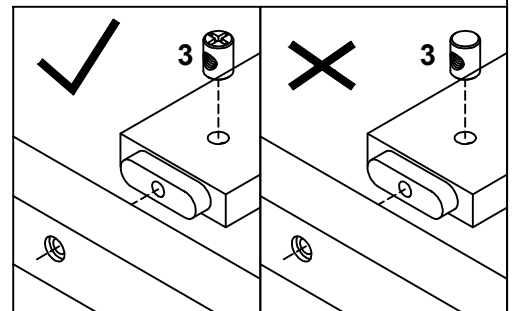


**STEP 2:**



<b>1</b>		<b>3</b>	
<b>12PCS</b>		<b>12PCS</b>	

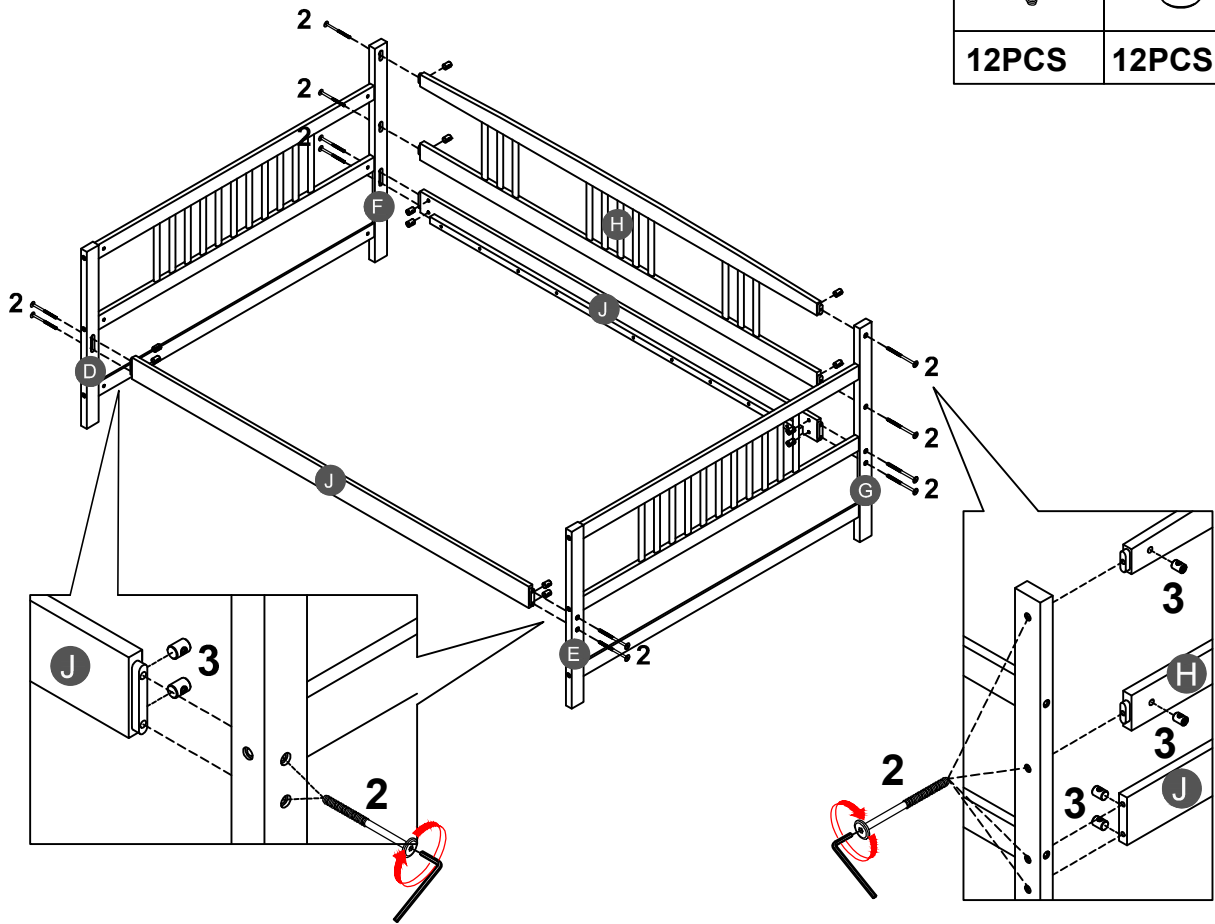


Note: Part 3 will face up with the "x" mark on it, otherwise it cannot be tightened

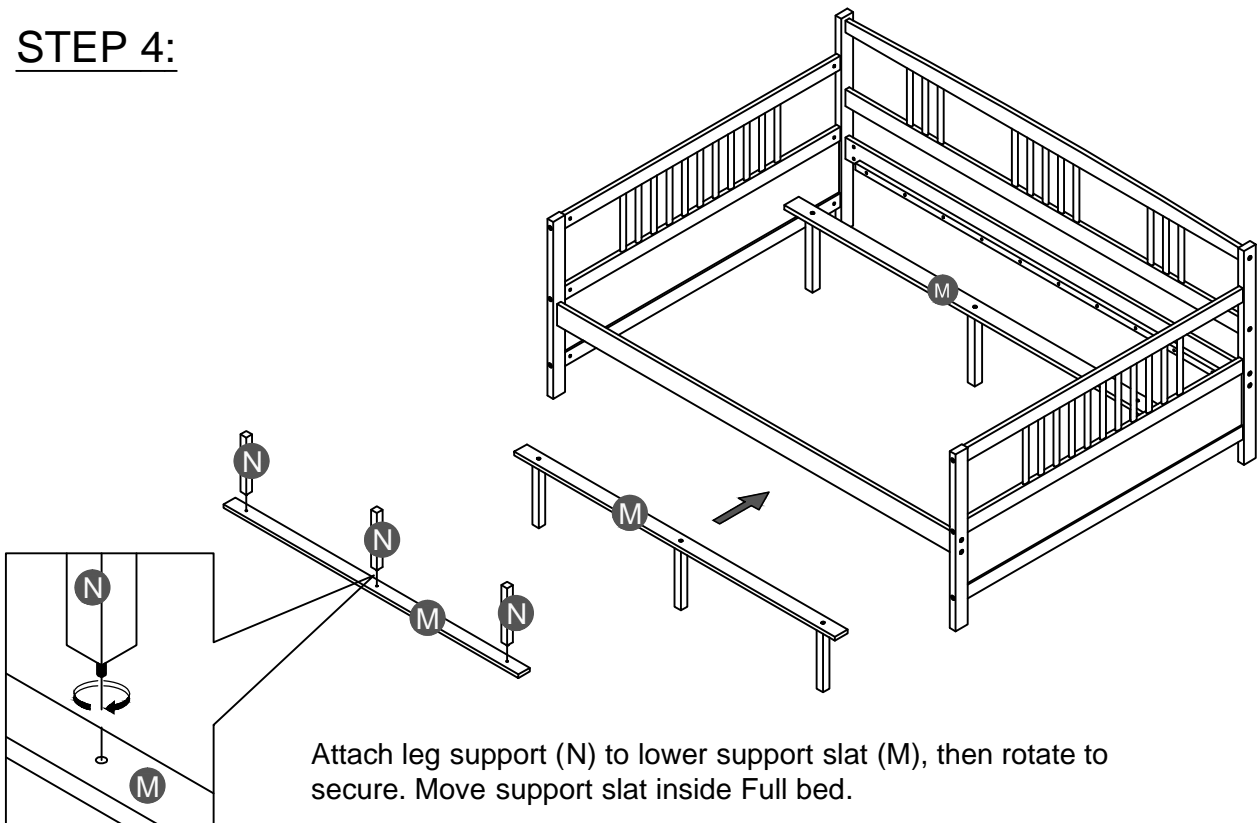


**STEP 3:**

<b>2</b>		<b>3</b>	
<b>12PCS</b>		<b>12PCS</b>	

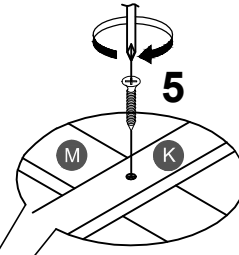
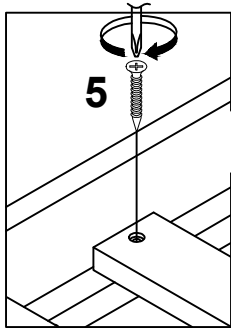


**STEP 4:**



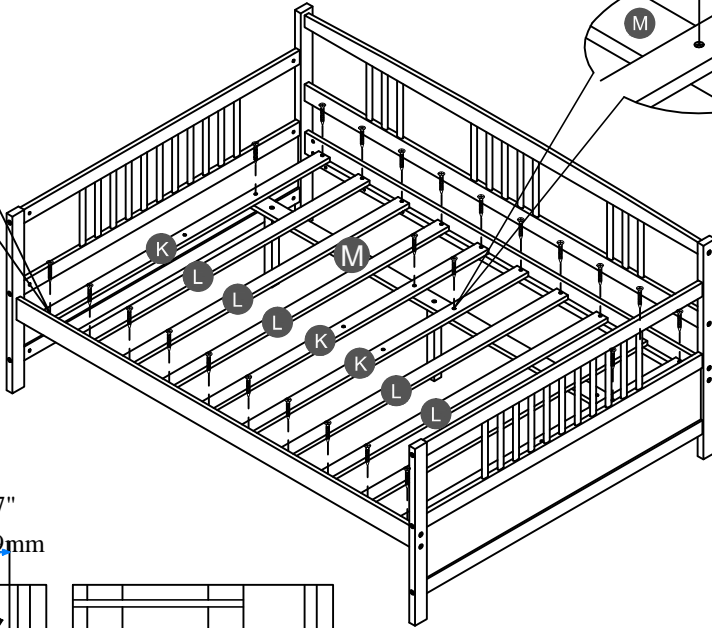
Attach leg support (N) to lower support slat (M), then rotate to secure. Move support slat inside Full bed.

**STEP 5:**

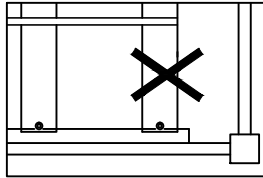
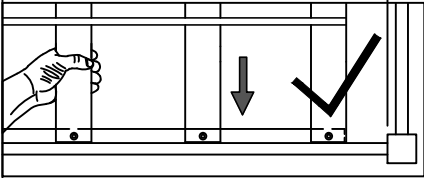


5

24PCS



5.4" 5.4" 2.7"  
 138mm 138mm 69mm



Note: Do not lock the screws of the bed slats to the outermost edge of the bed slats, you need to leave a certain space at the edges, otherwise it will cause the board to break. Do not lock the bed slats on the edge of the wood, please hold firmly before screwing, hold it in place with one hand, then lock the screw.

**STEP 6:**

5

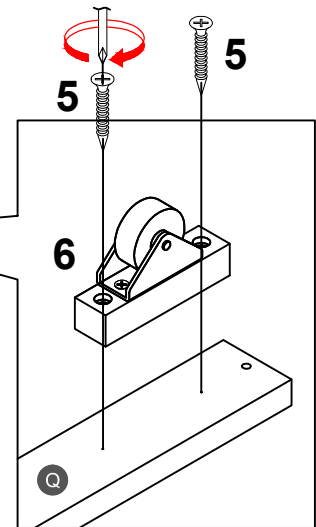
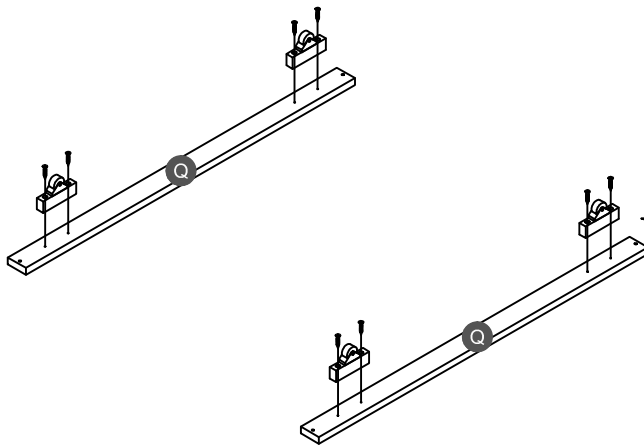


8PCS

6



4PCS

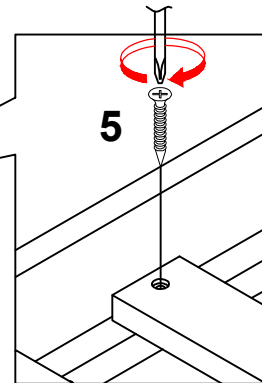
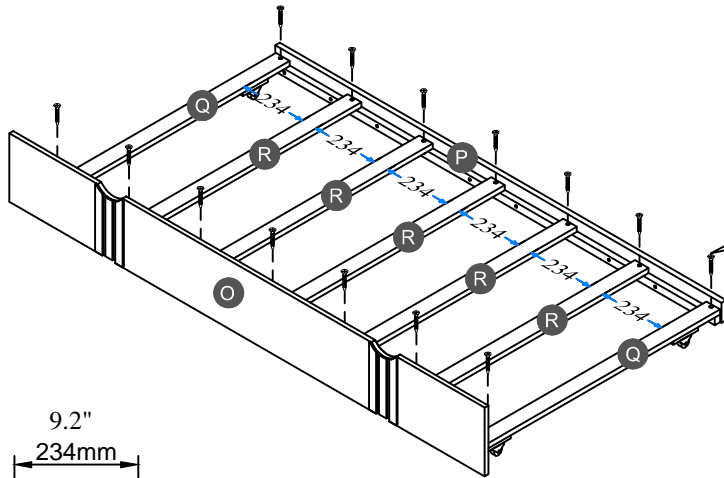


## STEP 7:

5



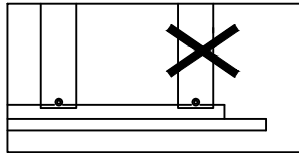
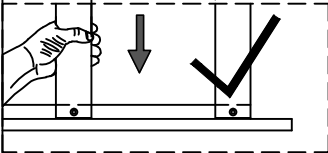
14PCS



5

9.2"

234mm



Note: Do not lock the screws of the bed slats to the outermost edge of the bed slats, you need to leave a certain space at the edges, otherwise it will cause the board to break.

Do not lock the bed slats on the edge of the wood, please hold firmly before screwing, hold it in place with one hand, then lock the screw.

## STEP 8:

7

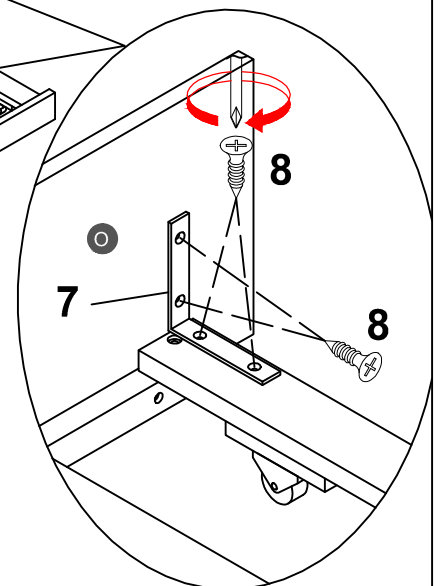
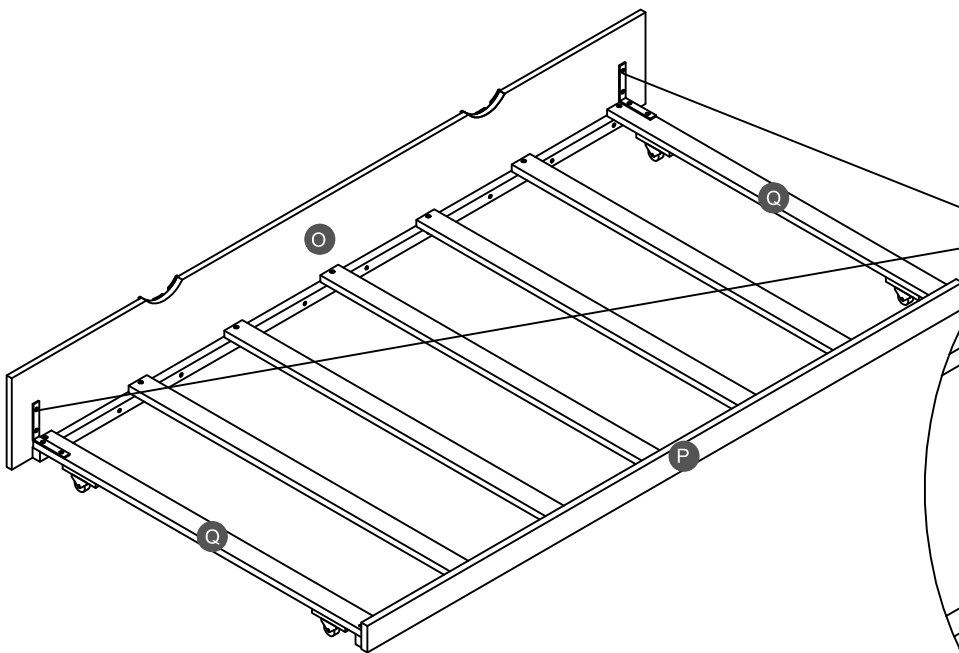


2PCS

8



8PCS

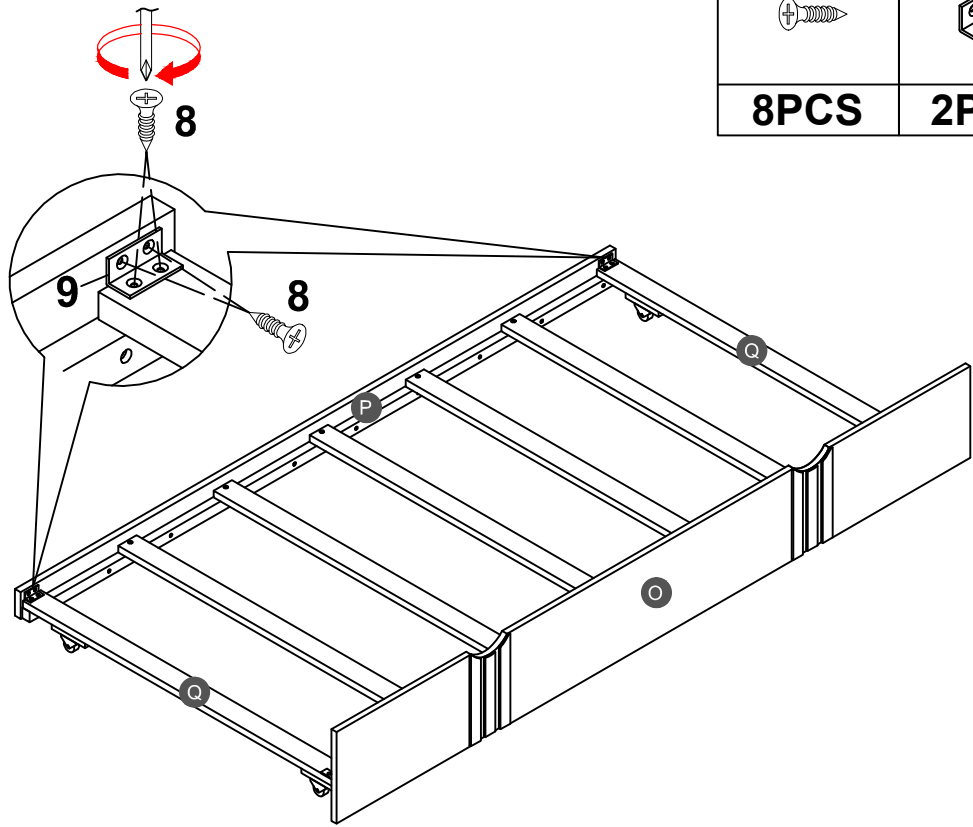



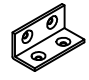
7

8

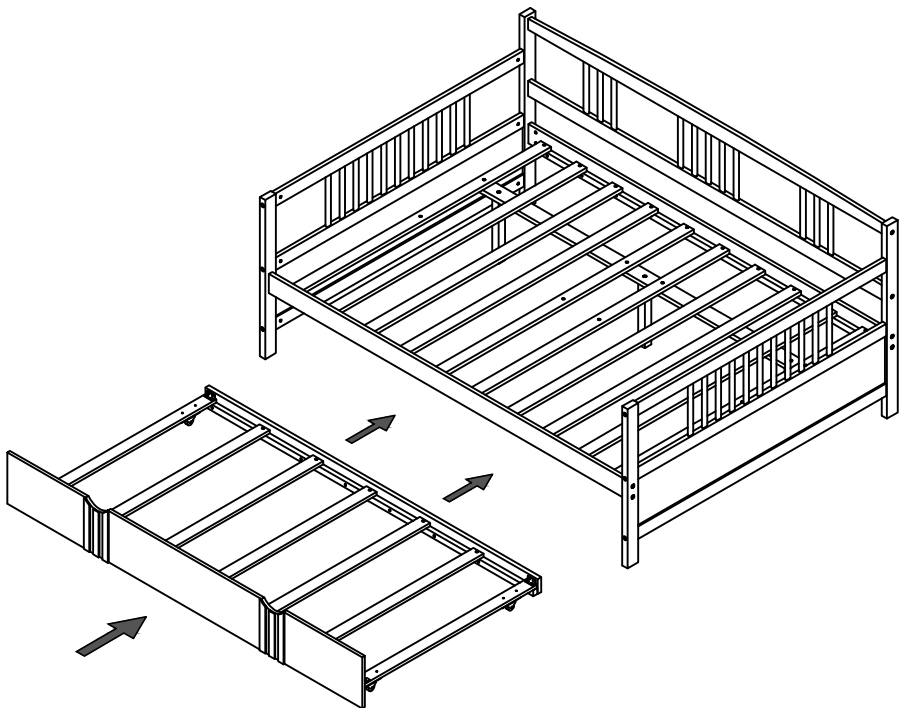
8

**STEP 9:**



<b>8</b>	<b>9</b>
	
<b>8PCS</b>	<b>2PCS</b>

**STEP 10:**



Push Trundle under the bottom of Bunkbed.