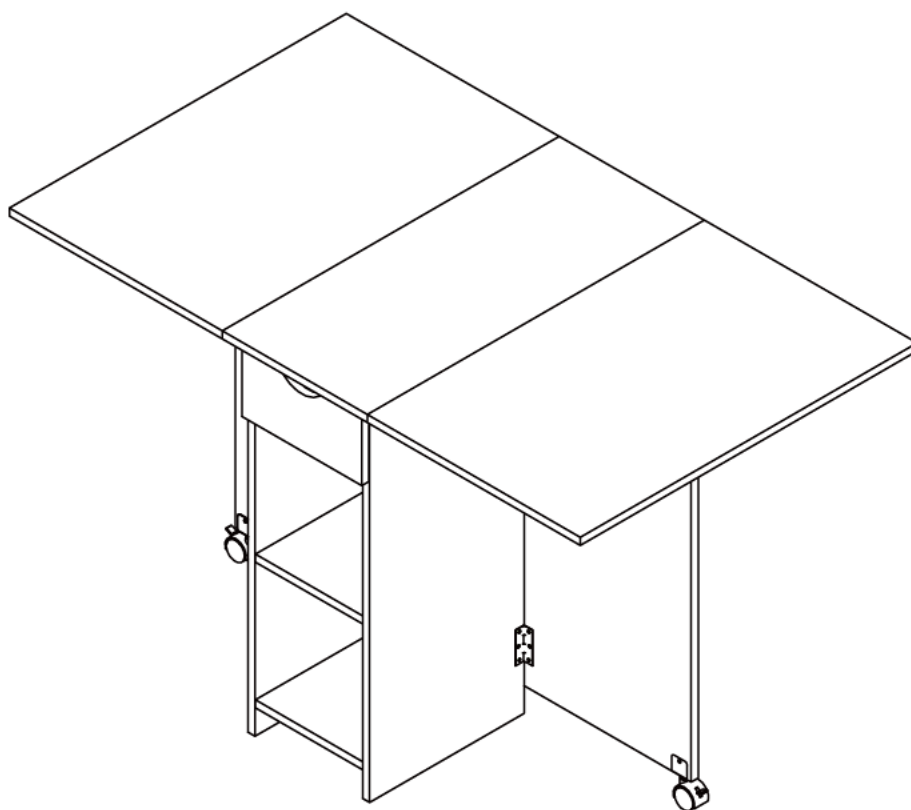


INSTRUCTION MANUAL



Please read the instructions completely before assembling. If you have any question, Please contact us.

Wooden Dining Table

Dear customer,

Thank you for choosing our products. We were founded in 2012 which is a team dedicated to the production of high-quality furniture and household products. Please contact us by e-mail if you have any suggestions or comments during using the products. We will try our best to meet your needs and provide you with better products and better services.

Wish you a happy life!

Sehr geehrter Kunde,

Vielen Dank, dass Sie sich für unsere Produkte entschieden haben. Wir wurden 2012 gegründet, ein Unternehmen, das sich der Herstellung hochwertiger Möbel und Haushaltsprodukte widmet. Während der Verwendung der Produkte können Sie uns per E-Mail kontaktieren, wenn Sie während der Verwendung der Produkte Vorschläge oder Kommentare haben. Wir werden unser Bestes geben, um Ihre Bedürfnisse zu erfüllen und Ihnen bessere Produkte und Dienstleistungen anzubieten.

wünsche dir ein glückliches leben!

Cher client,

Merci d'avoir choisi nos produits. Nous avons été fondés en 2012, une entreprise dédiée à la production de meubles et d'articles ménagers de haute qualité. Lors de l'utilisation des produits, vous pouvez nous contacter par e-mail si vous avez des suggestions ou des commentaires lors de l'utilisation des produits. Nous ferons de notre mieux pour répondre à vos besoins et vous fournir de meilleurs produits et de meilleurs services.

vous souhaite une vie heureuse!

Please make sure that you have all the following parts listed before installation.

If you find missing parts, please stop assembling and contact us














2 PERSON
ASSEMBLY

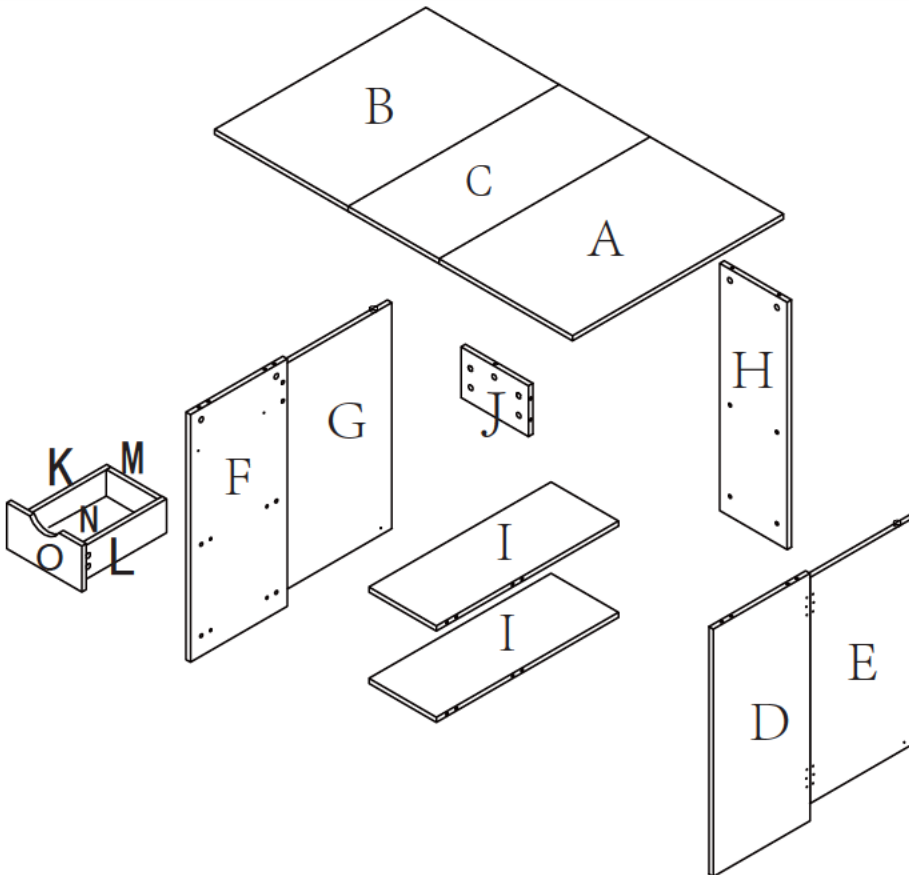


APPROXIMATELY
1 HOUR ASSEMBLY

HARDWARE

| | | | |
|---|--|--|---|
| 1  31+2pcs | 2  31+2pcs | 3  12+2pcs | 4  10+1pcs |
| 5  2set | 6  2set | 7  $\phi 3 * 14$ 60+4pcs | 8  $\phi 3.5 * 14$ 8+2pcs |
| 9  1pcs | 10  31+2pcs | 11  1set | |

PARTS LIST



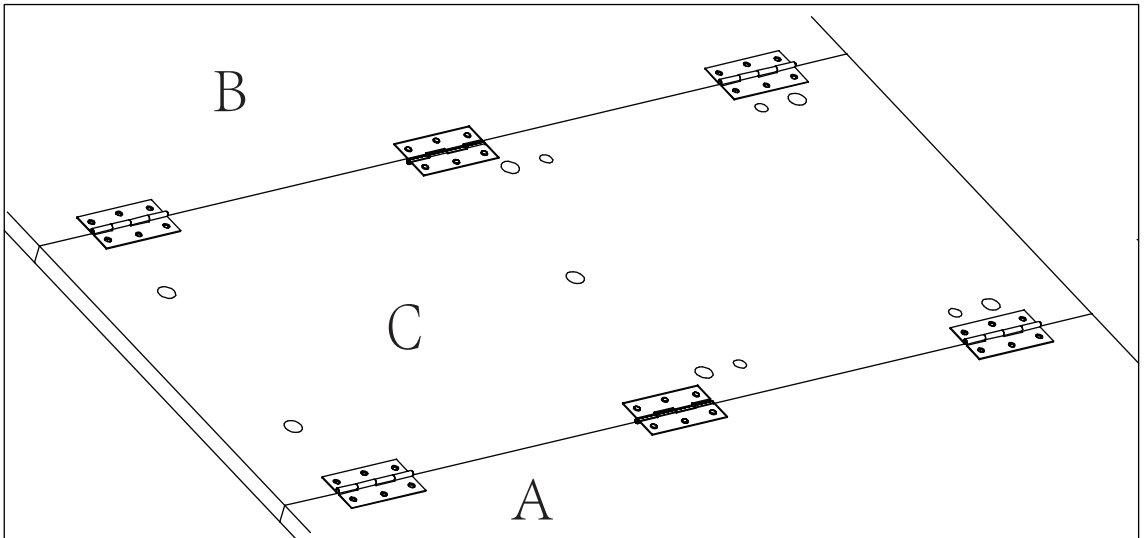
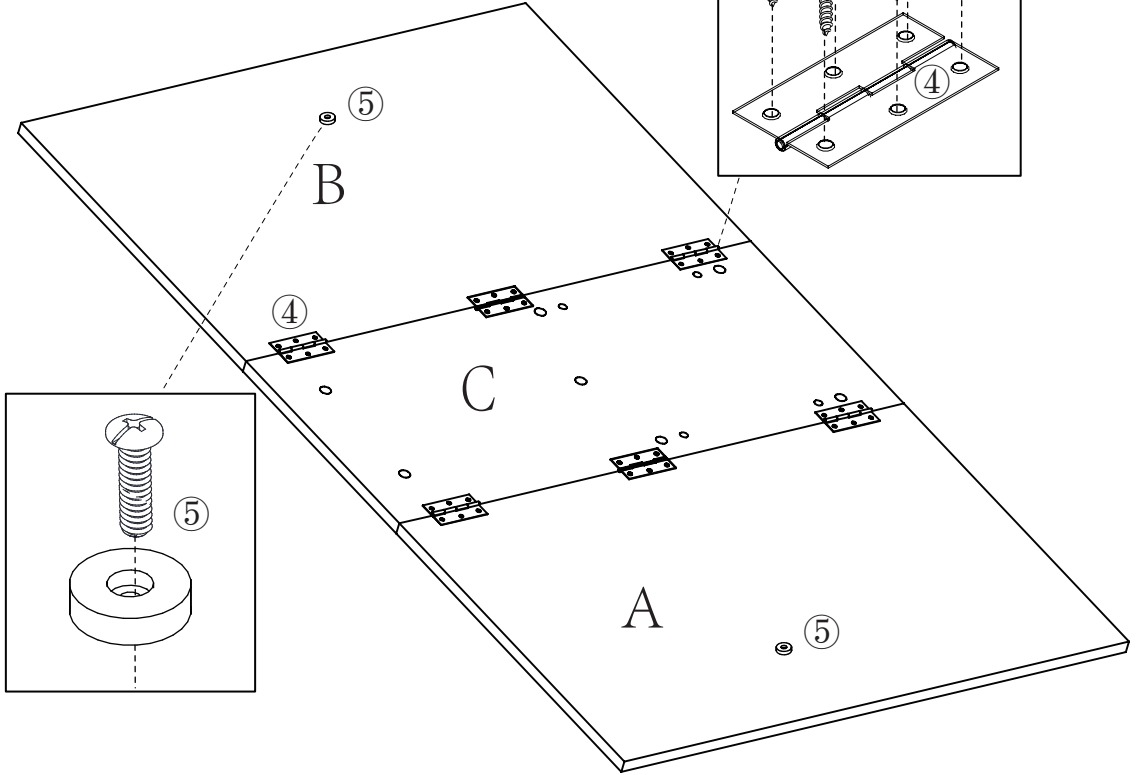
INSTRUCTION MANUAL

Step 1

④=6pcs

⑤=2set

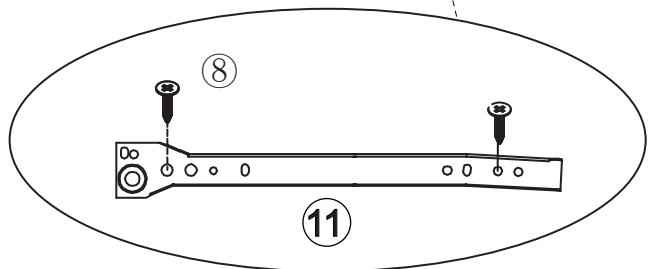
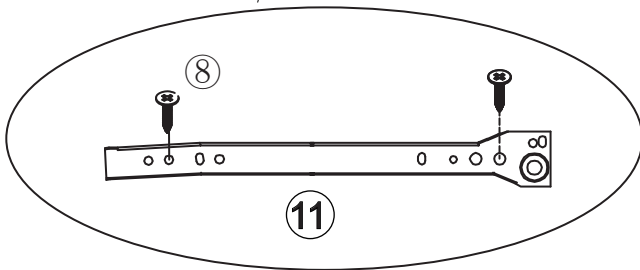
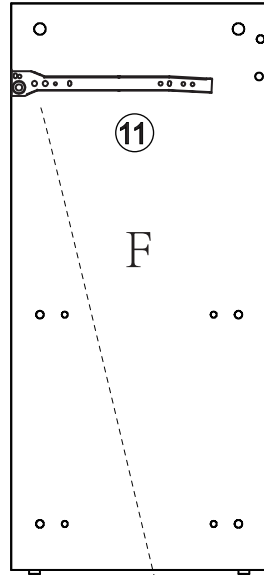
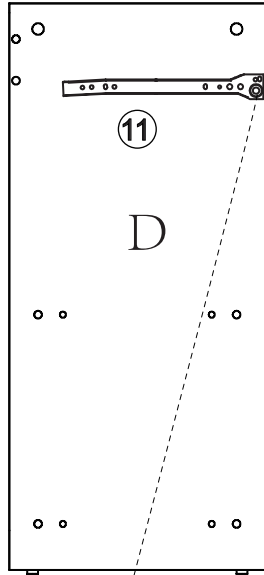
⑦=36pcs



Step 2

⑧=4pcs

⑪=2pcs

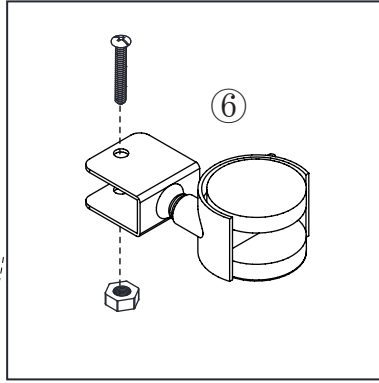


Step 3

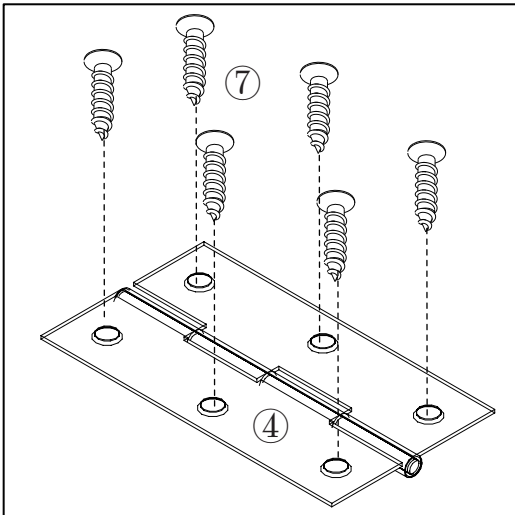
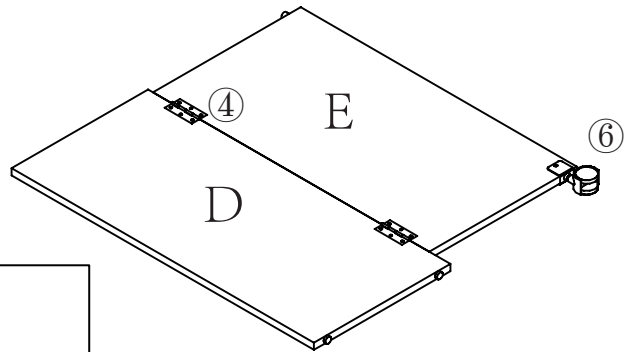
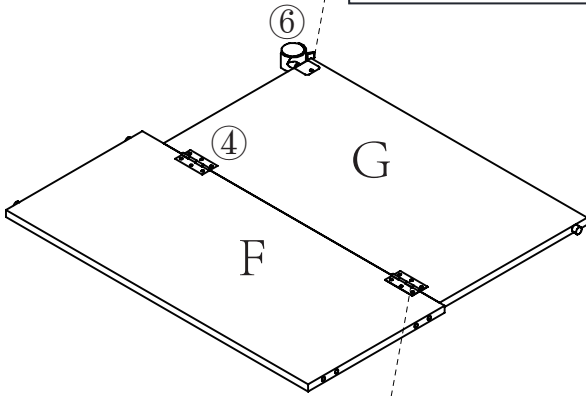
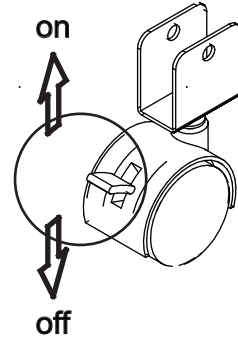
④=4pcs

⑥=2set

⑦=24pcs



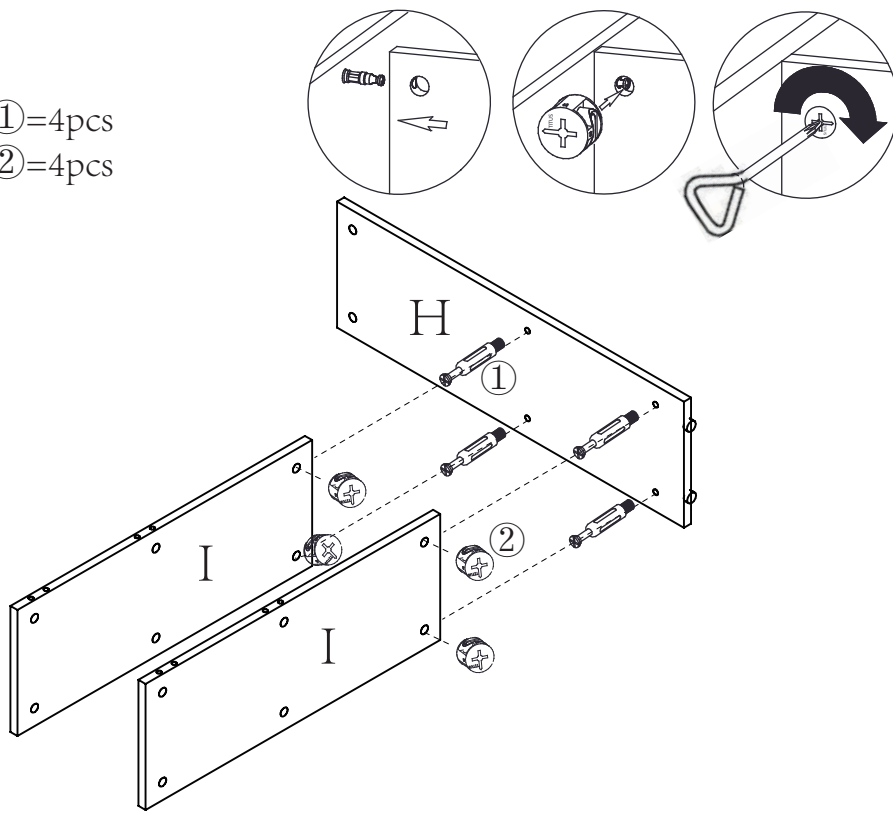
Brake switch



Step 4

①=4pcs

②=4pcs

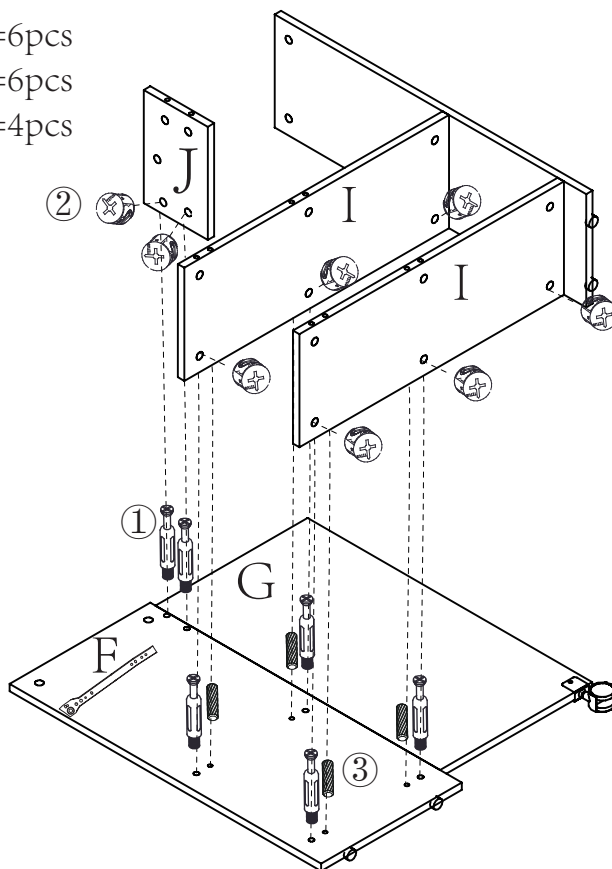


Step 5

①=6pcs

②=6pcs

③=4pcs

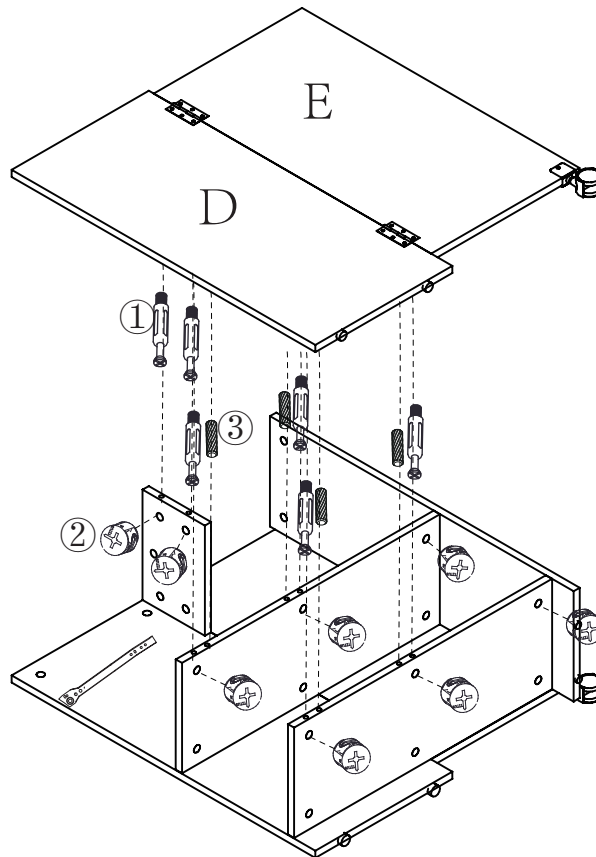


Step 6

①=6pcs

②=6pcs

③=4pcs

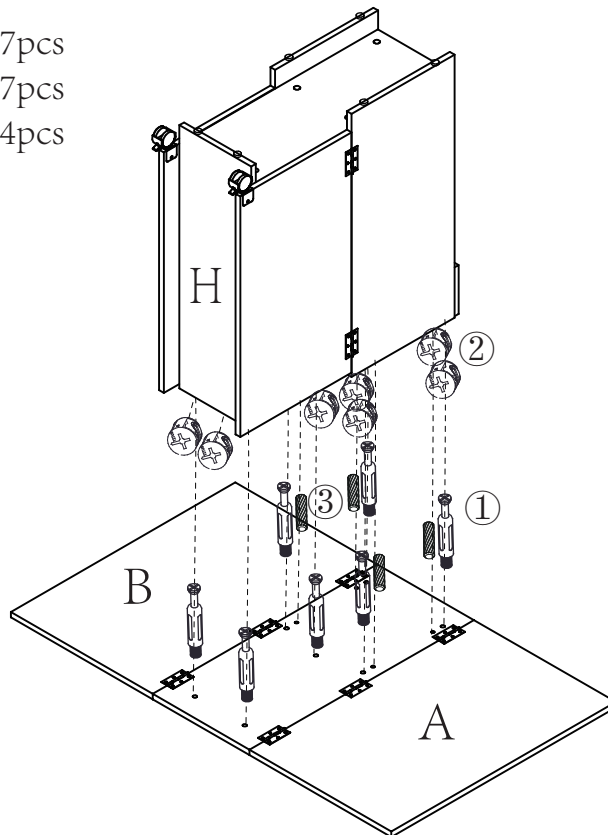


Step 7

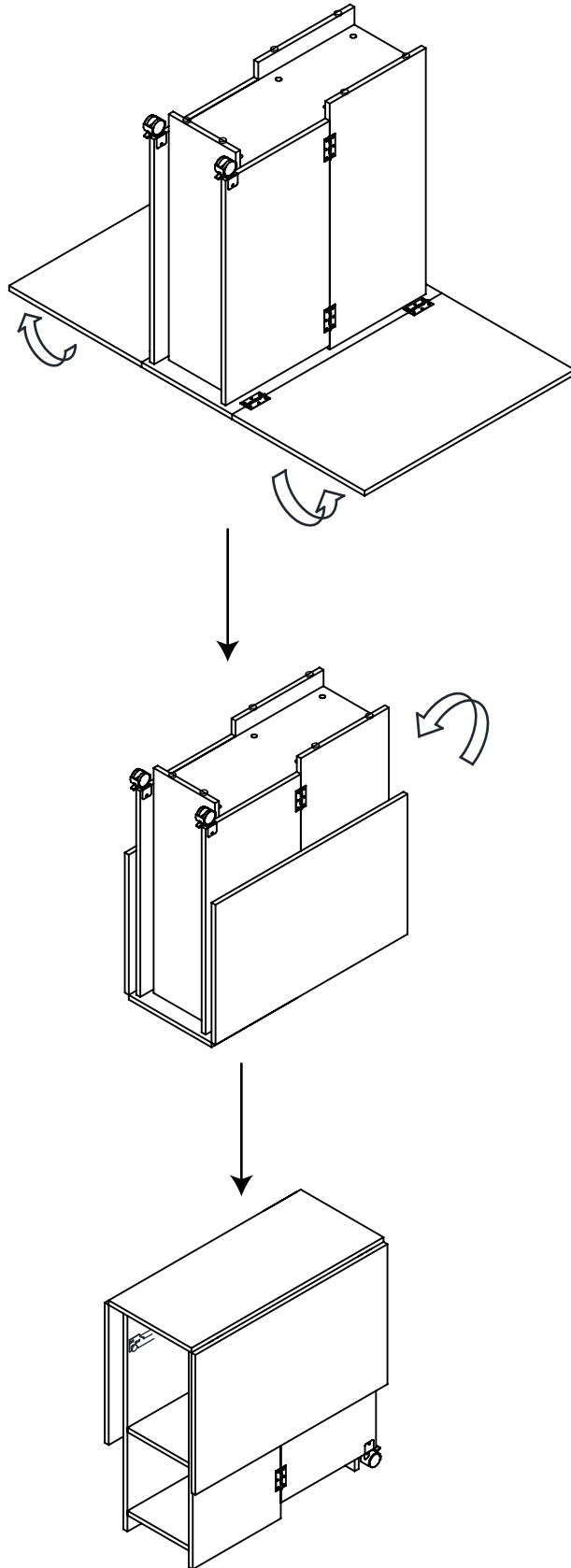
①=7pcs

②=7pcs

③=4pcs



Step 8



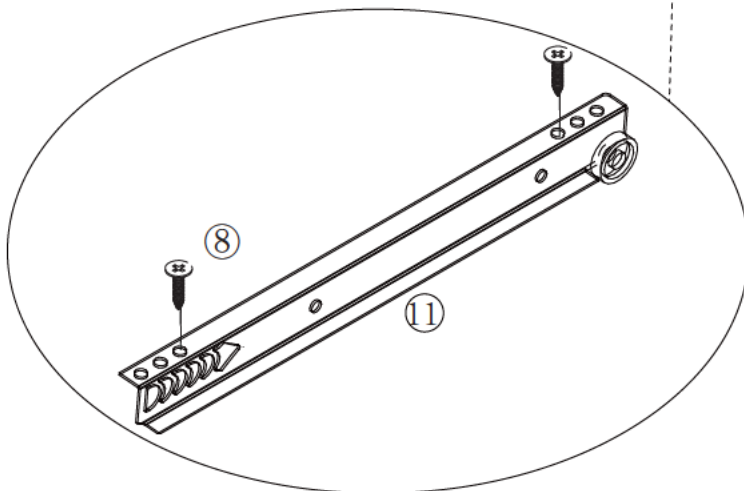
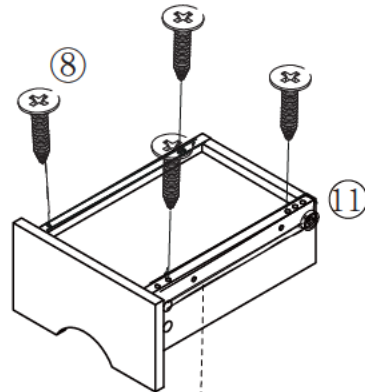
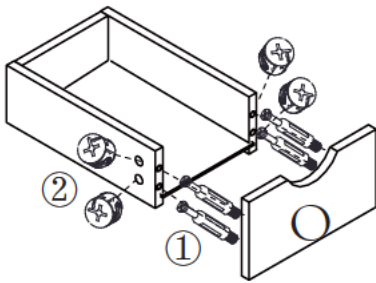
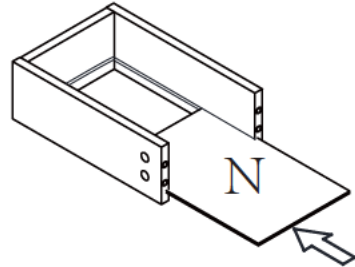
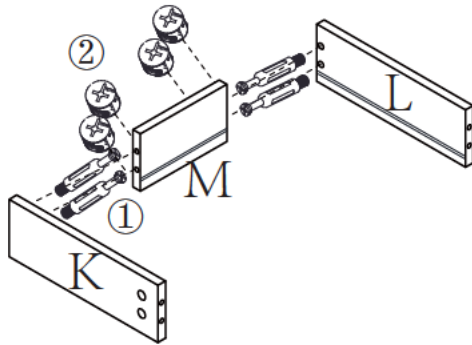
Step 9

①=8pcs

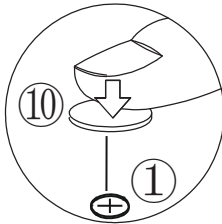
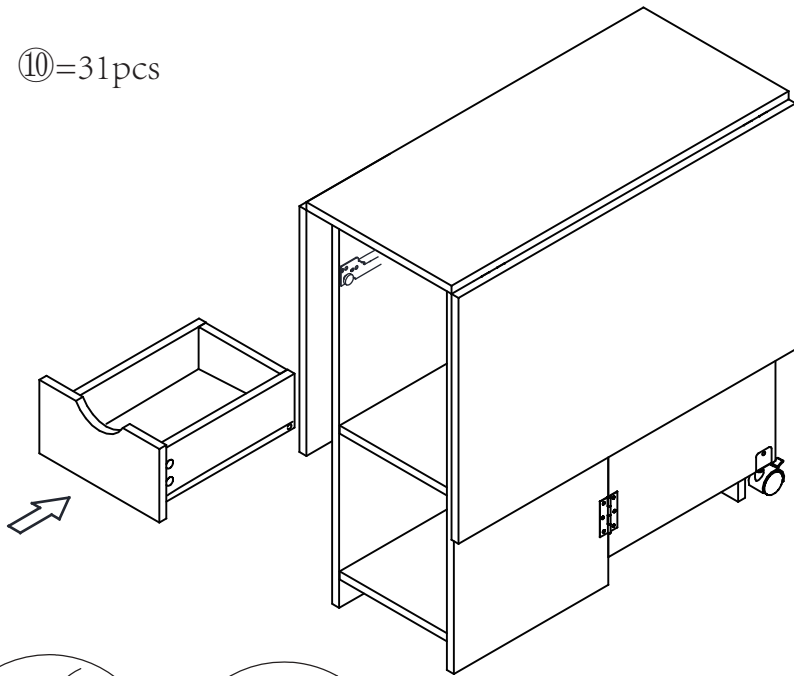
②=8pcs

⑧=4pcs

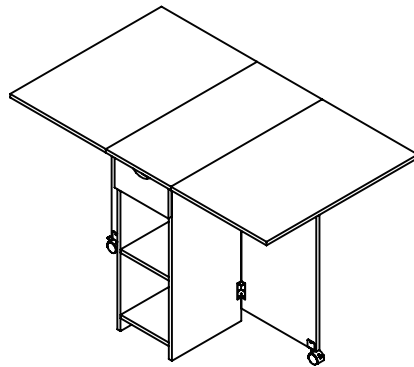
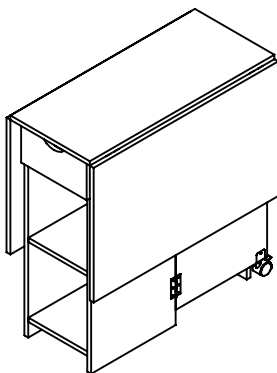
⑪=2pcs



Step 10 ⑩=31pcs



ASSEMBLY COMPLETE!



To protect our environment,
Please dispose of all
packaging thoughtfully.



NOTICE

Don't stand on or use any part of this product as a step ladder.

Firmly secure all bolts, screws and knobs before use.

Reconfirm that all bolts, screws , and knobs are secure every 90 days.

If the outer wood shell covers a screw hole, use a screwdriver to carefully poke through the wood shell to reveal the screw hole.

This product is intended for indoor use only.

No matter which part is missing, broken, damaged, or worn, stop using until it was repaired or replacement part was installed.

Don't use this item in a way inconsistent with the manufacturer s instructions as this could with the product warranty.

To clean the desk, use a wet cloth that has been wrung out. Then, wipe it down once more sith a dry cloth.

Place the desk on level and smooth ground. Don't use it in the following places:

- Outdoors
- Slanted ground
- Direct sunlight

WARNING

Manufacturer and seller expressly disclaim any and all liability for personal injury, property damage or loss, whether direct, indirect, or incidental, resulting from the incorrect installation, improper use, inadequate maintenance, or neglect of this product.