

Assembly Instruction

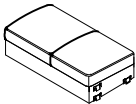
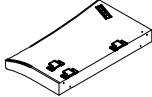
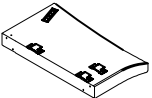








LOVE SEAT



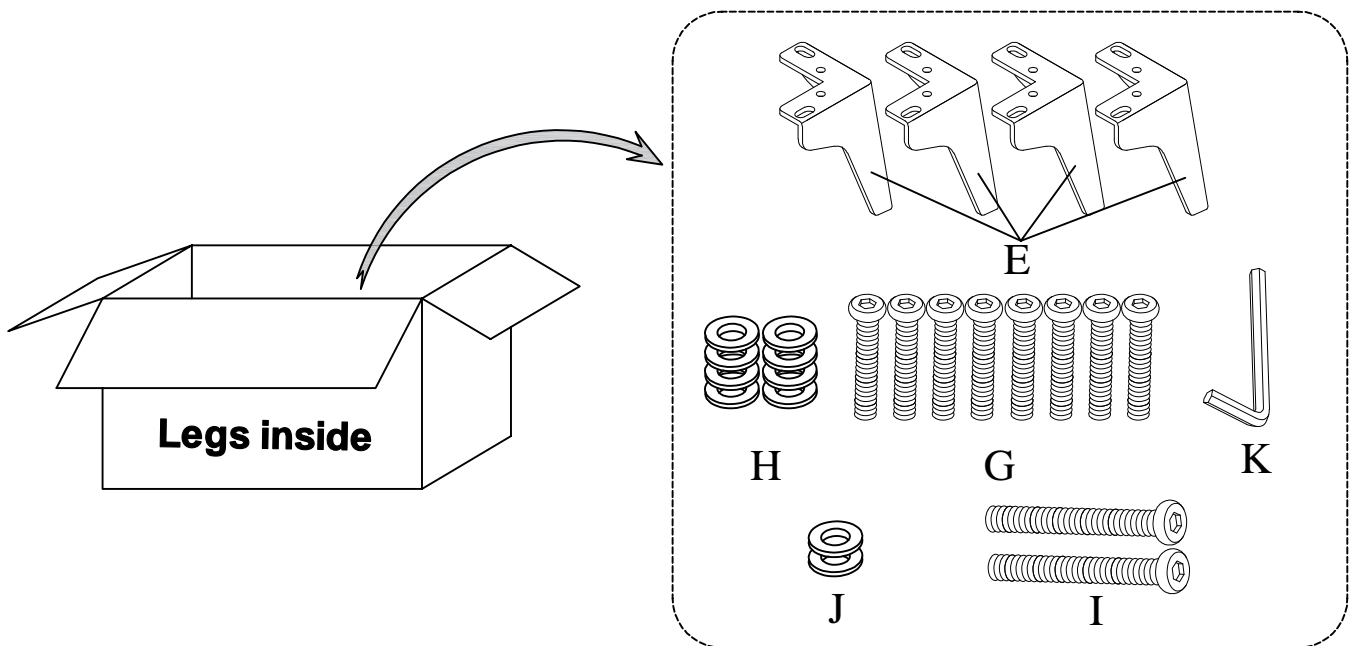
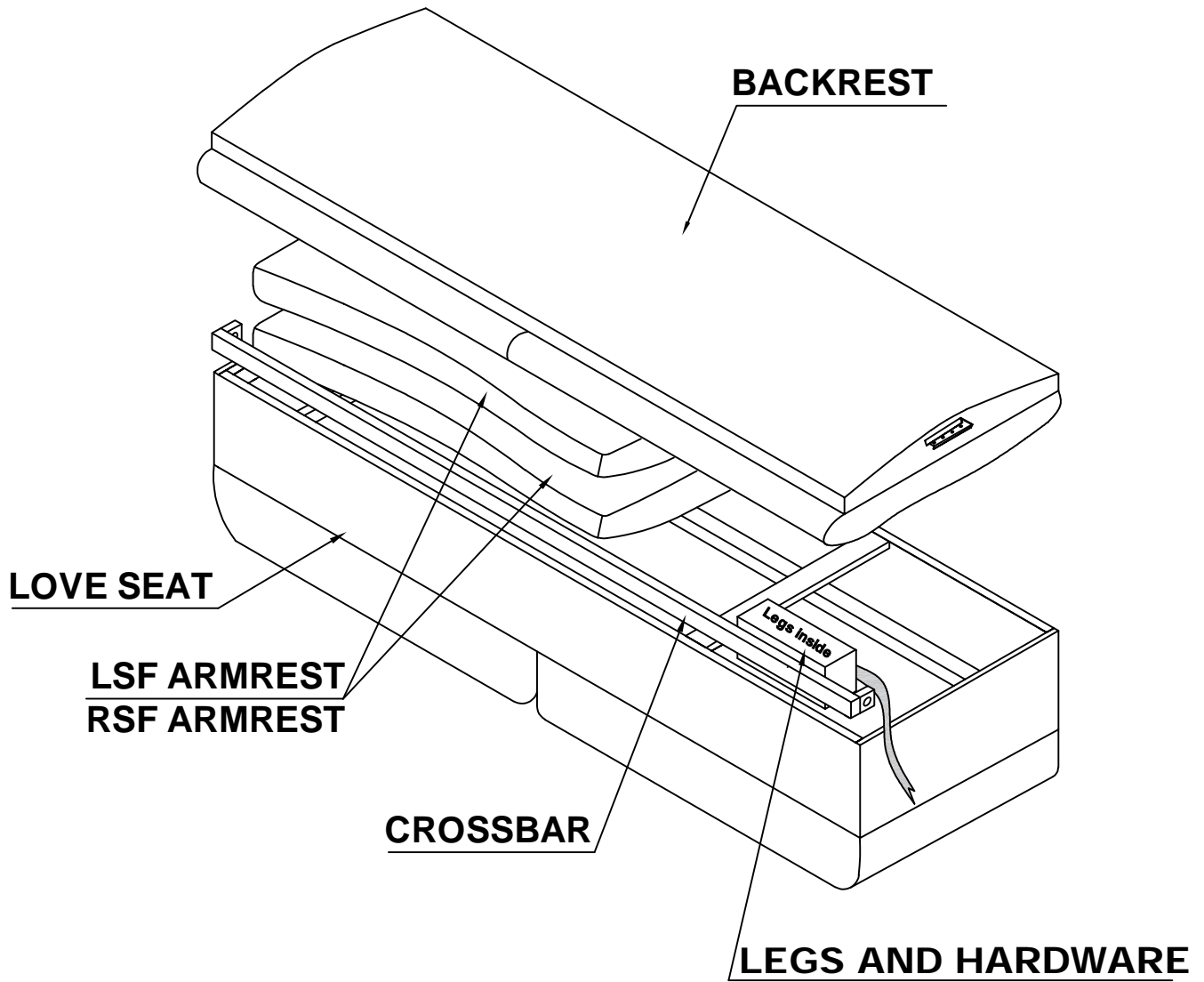
Legs & hardware are packed in the box and stored at the bottom of the seat, please take out for assembly.

Note: Do not use power tools for assembly. Power tools increase the risk of over tightening which lead to splitting or cracking the wood.

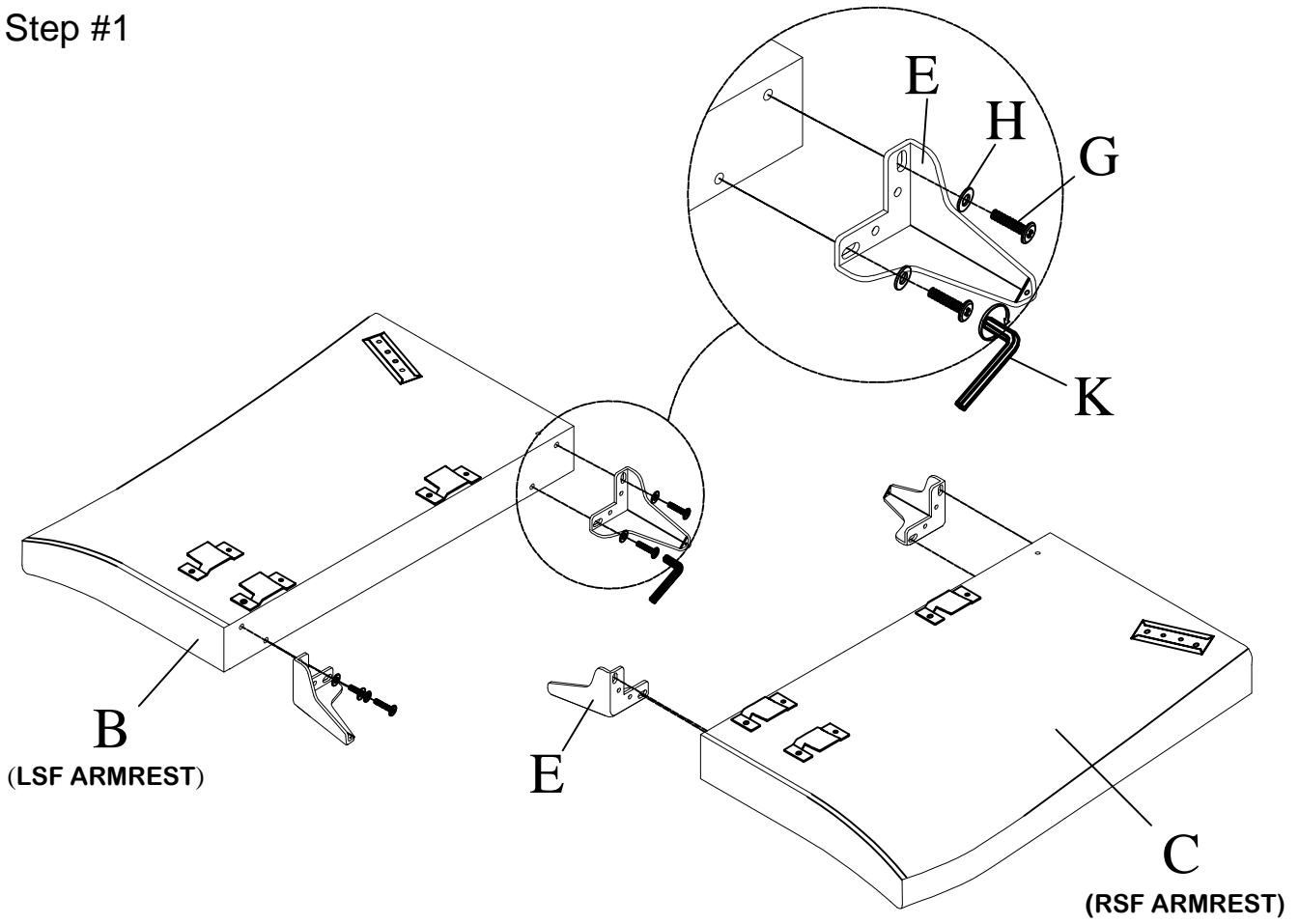
Component list

No	Drawing	Qty	Description
A		1	Love Seat
B		1	LSF Armrest
C		1	RSF Armrest
D		1	Backrest
E		4	Metal Legs (130*85*85mm)
F		1	Crossbar
G		8	Bolt (5/16"*22mm)
H		8	Flat washer 5/16"*Ø19*1.5mm
I		2	Bolt (1/4"*35mm)
J		2	Flat washer 1/4"*Ø16*1.5mm
K		1	Allen key (M4*59mm)

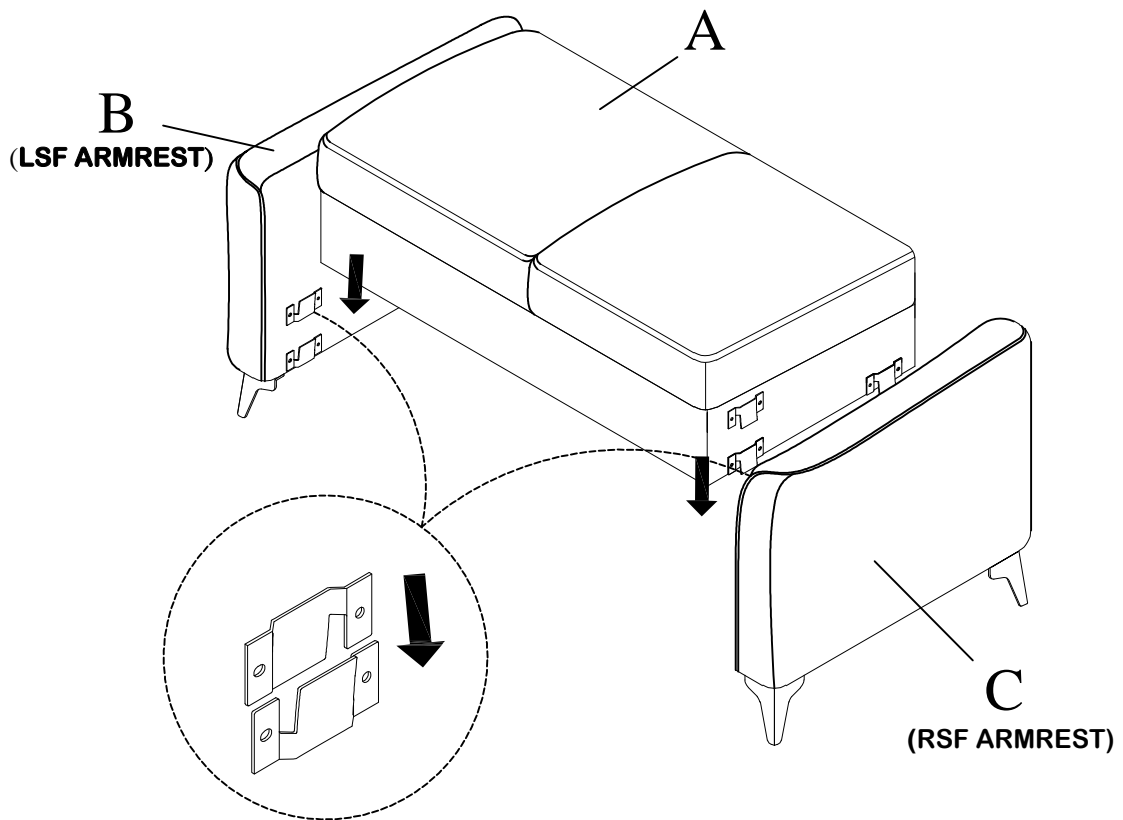
THE PARTS ARE LOCATED INSIDE THE BOX AS BELOW:



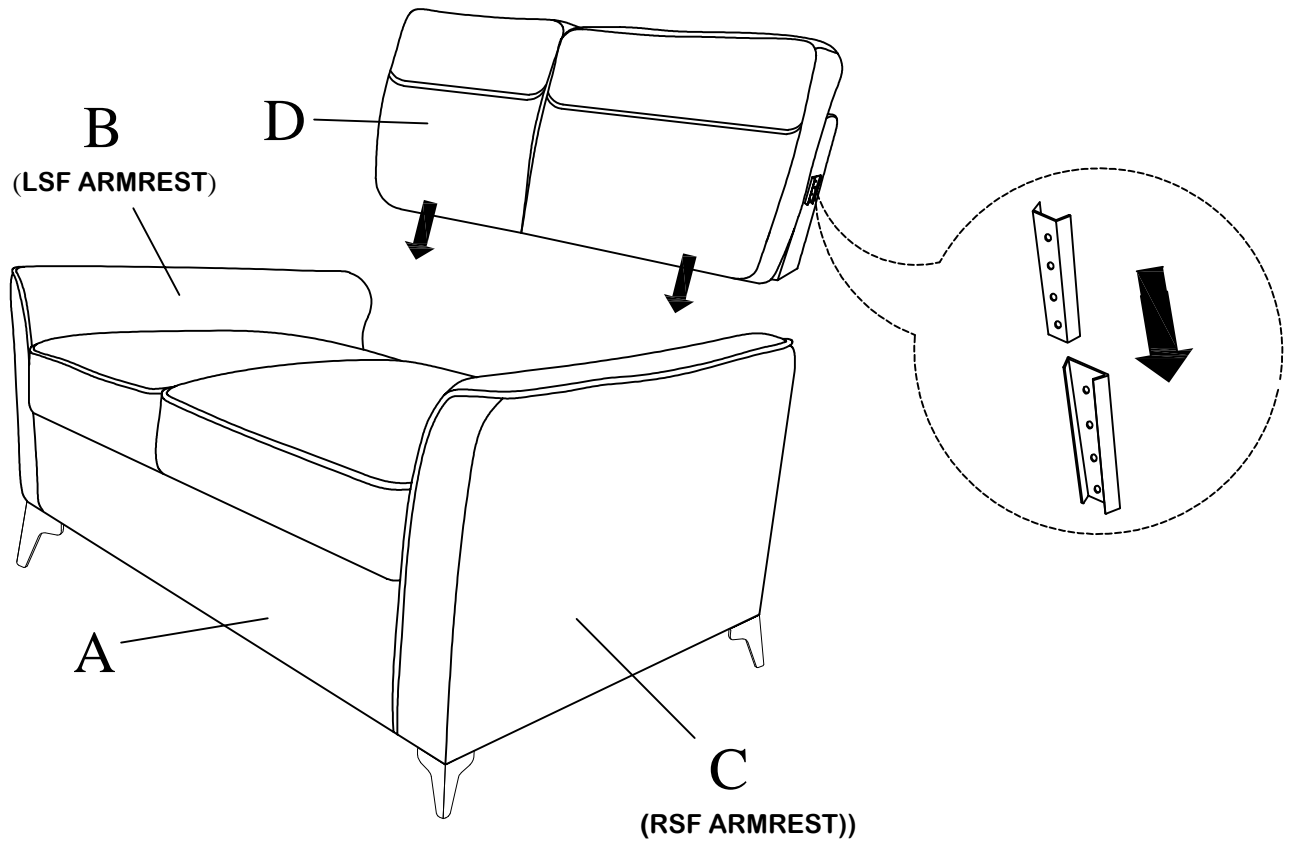
Step #1



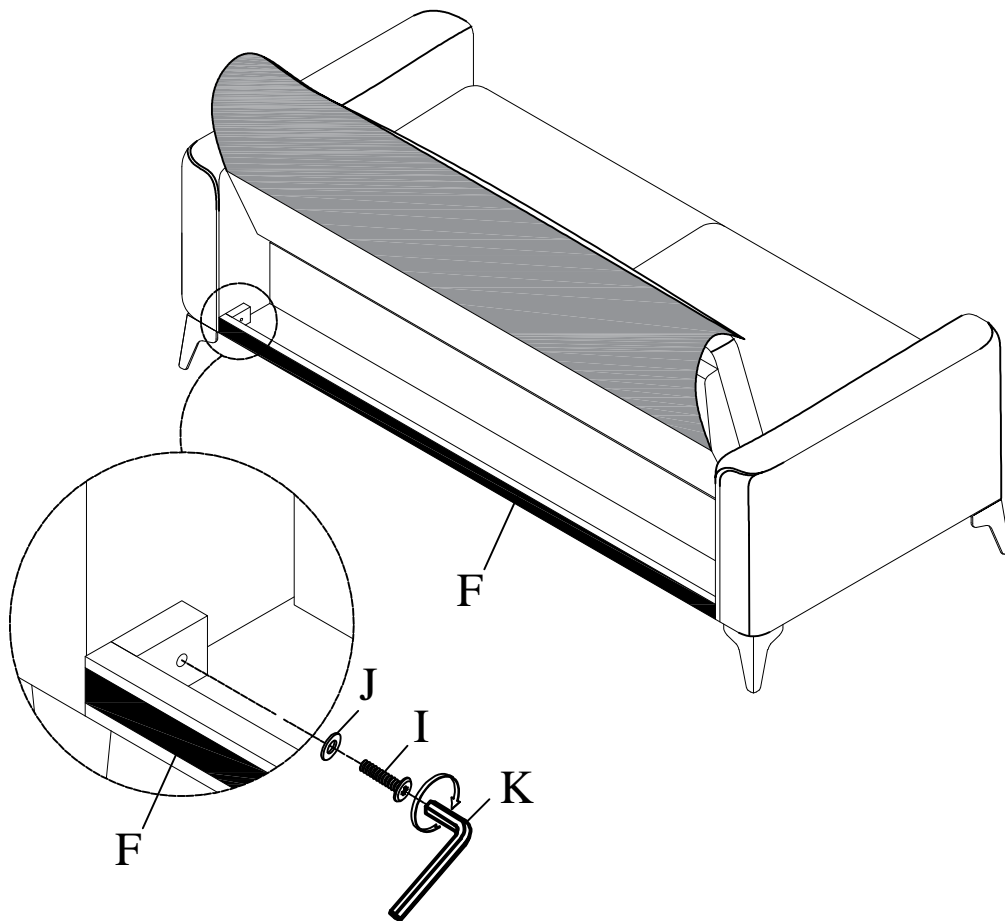
Step #2



Step #3

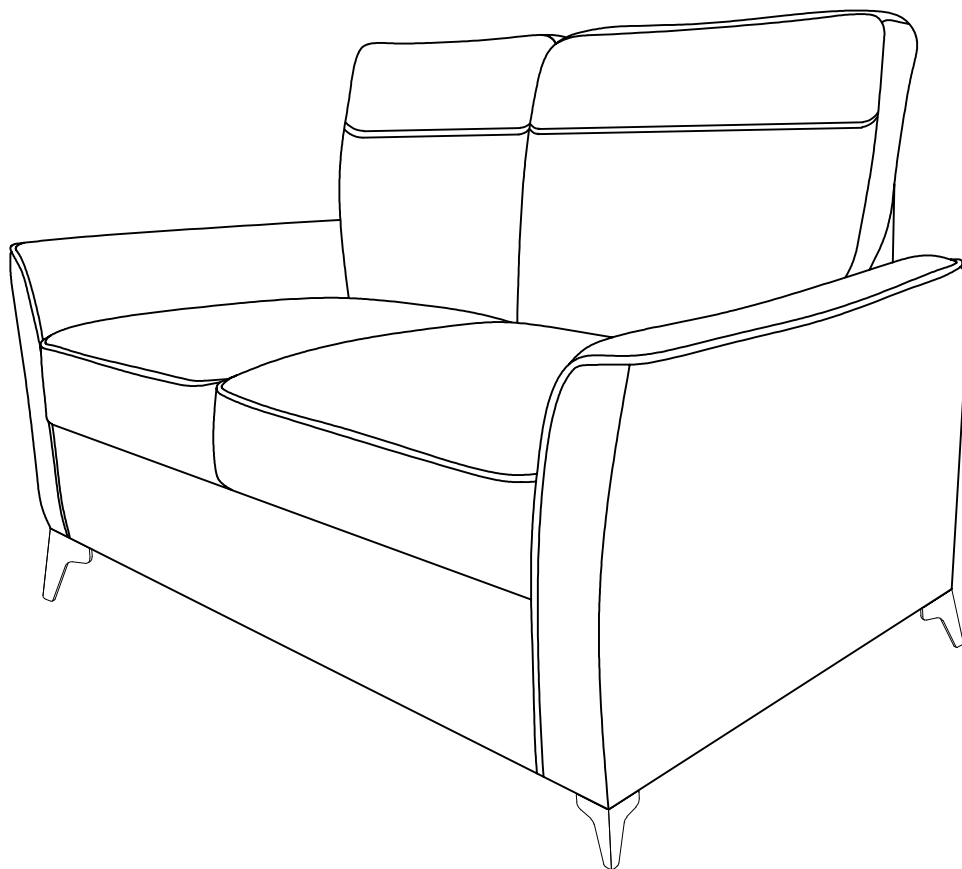


Step #4



Step #5

Assembly completed.



Care Instruction for Furniture:

In order to maintain the original appearance of your textured microfiber, please follow below simple care procedures:

- Avoid exposing furniture directly to sunlight or heating and air conditioning outlets. Sunlight and/or exposure to heating and air conditioning outlets will fade/damage textured microfiber. Do not place your upholstered furniture too close to windows, radiators, or vents, and be sure to use windows, radiators, or vents.
- Vacuum or wipe with a soft cloth to remove dust.
- Hardware may loosen over time. Periodically check to make sure all connections are tight. Re-tighten if necessary.



For items use on wooden floor, hard surfaces or carpets, it is recommended to Install protective pads under all legs and supports to avoid/prevent from damages/scratches and discoloration.