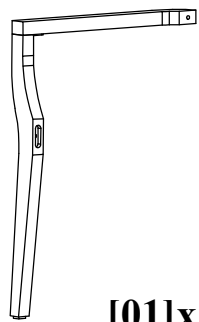
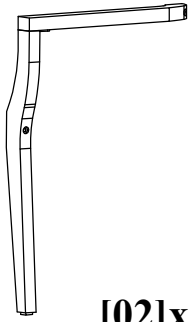


ASSEMBLY INSTRUCTION



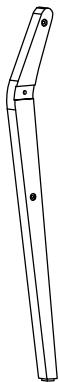
[01]x1



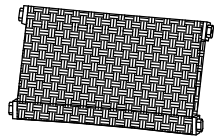
[02]x1



[03]x1



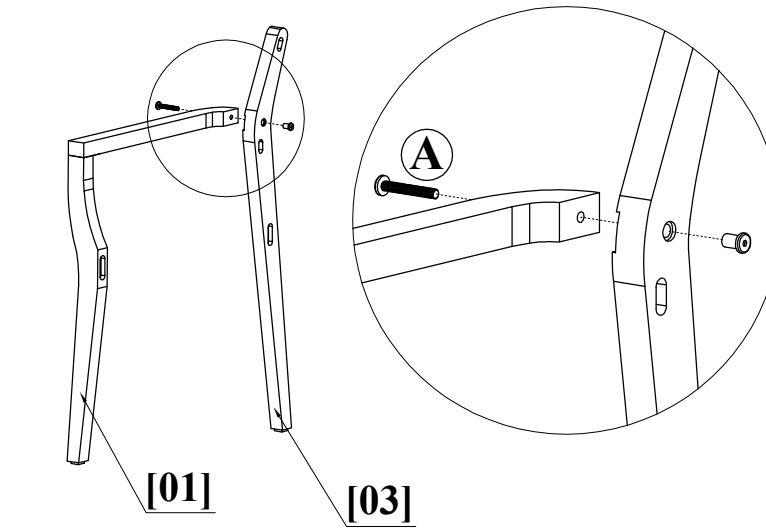
[04]x1



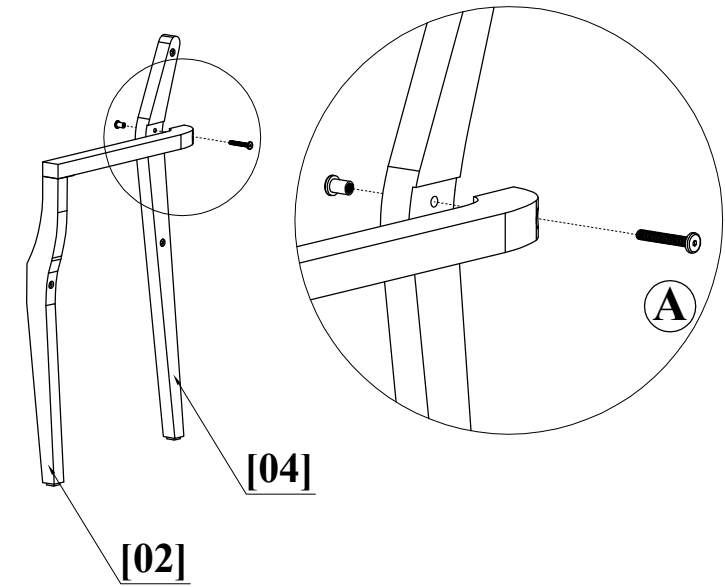
[05]x1



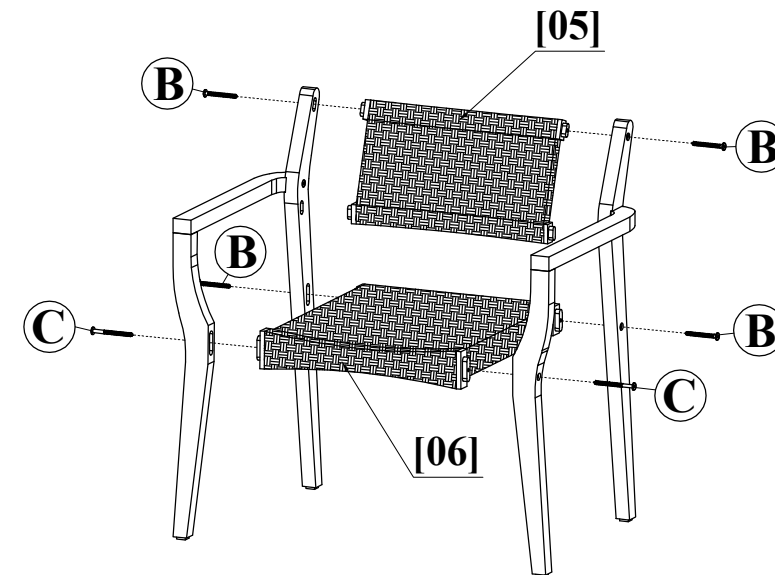
[06]x1



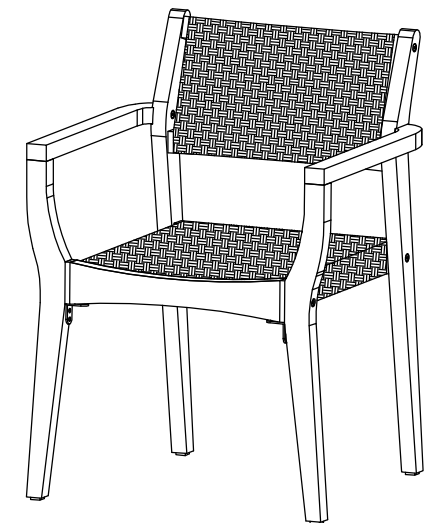
1



2



3



4

*Hardware

A		Ø8x45	x 02
B		Ø7x70	x 04
C		Ø7x90	x 02
D		Ø4mm	x 02