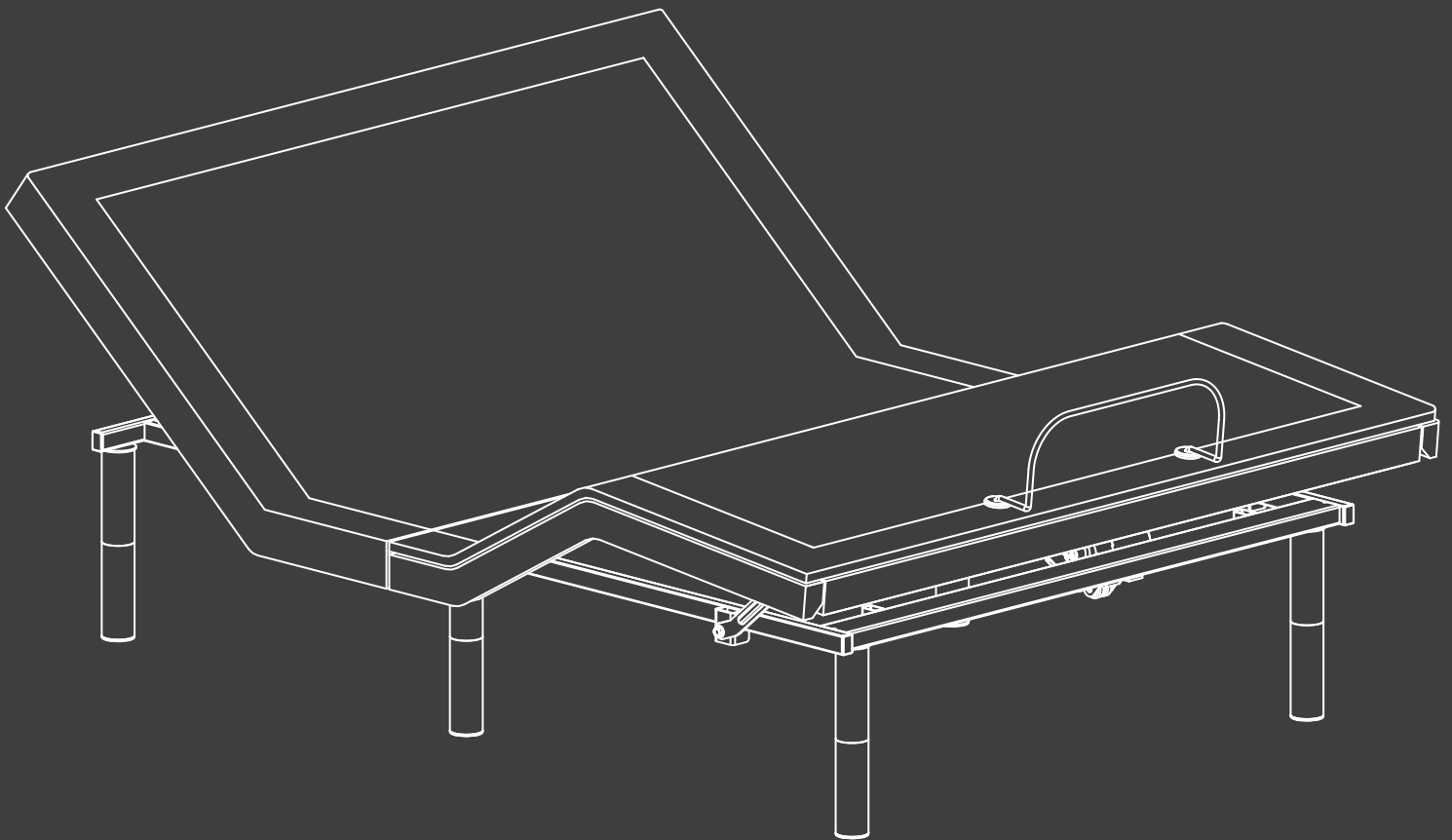


# Adjustable Bed Frame

## Instruction Manual



# ADVISORY

---

**Attention: Read the following information before using this product. Use of a surge protector is recommended.**

## **WARNING:**

Do not open or tamper with the transformer, control box, motors, or remote control (with the exception of battery compartments).

## **SMALL CHILDREN AND PETS:**

Immediately dispose of all packing materials as they smother small children and pets. Do not allow any persons or pets under the bed. Children should not operate the bed without adult supervision.

## **HOSPITAL OR CONVALESCENT USE DISCLAIMER:**

Adjustable beds are designed and engineered for a lifestyle of in-home comfort and are not intended for hospital use or for a bed-ridden patient on an extended recovery. Adjustable beds are not equipped with bars to help patients get safely in and out of bed and are not intended to be used around tent-type oxygen therapy or explosive gases.

## **PRODUCT RATINGS:**

The bed lift motors are not designed for continuous use of more than 2 minutes in an 18-minute period, or approximately 10% duty cycle. Any attempt to circumvent or exceed this rating will shorten the life expectancy of the product.

## **WEIGHT LIMIT:**

The limitation is 750lb. The bed will structurally support these weights, provided it is evenly distributed across the head and foot sections. This product is not designed to support or lift this amount in the head or foot section alone. Exceeding this weight restriction could damage the bed and/or cause injury. Enter or exit the bed in a flat position and do not sit on the head or foot sections while in the raised position.

## **LIFTING AND LOWERING MECHANISMS:**

It is normal for the raising and lowering feature on this bed to emit a minimal humming sound during operation.

## **CORD MAINTENANCE:**

Always unplug the base from the electrical outlet before cleaning or servicing the base. If the cord or plug is damaged, discontinue use of the bed base and contact qualified service personnel for examination and repair. Make sure the base is in a flat position, and the vibrating motors are off before unplugging from the power source.

# SETUP and INSTALLATION

**Important:** We strongly recommend two able-bodied adults setup and assemble this product.

---

## Step 1

Check to verify all parts are included before discarding any packing materials. All electronics and components that need to be installed are located in boxes under the base or attached to the frame.

### Parts List:

**A**



**x1**

Input Power Cord

**B**



**x1**

Transformer Power  
Supply

**C**



**x6**

6"+6" legs

**D**



**x1**

Wireless Remote  
Control

**E**



**x1**

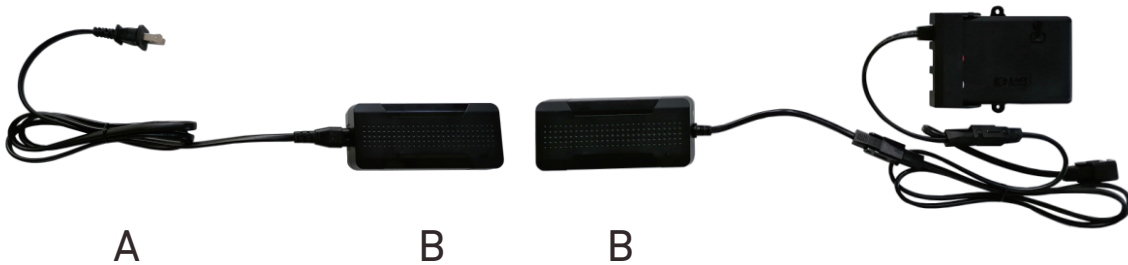
Mattress retainer  
bar

## Step 2

With the help of your able-bodied assistant, place the carton on the floor.

## Step 3

Extend the input power cord (A) and plug it into the transformer power supply (B). Connect the transformer power supply (B) to the control box. The control box is the black box attached to the bottom of the bed.

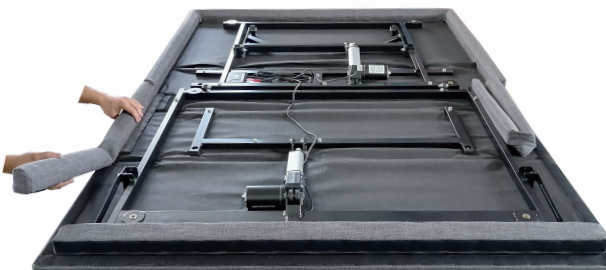


## Step 4

1. Flip the product over so the back is facing up. The side rails that are folded are at the foot section.



2. Unfold the folded rails on both sides and press them firmly against the Velcro.



3. Align the bottom foot rail upright and press it firmly against the Velcro.



## Step 5

- Install the six legs (C) firmly into the base of the frame. Screw the legs into the threaded holes on each corner of the adjustable base frame. (See Figure below)
- Do not over tighten.



## Step 6

Synchronize the remote control (D) with the control box. First, make sure batteries are in the remote control (D), as shown in Figure 4, find the black box mounted under the bed. Locate the red circle indicating the button on the control box. Hold the button on the control for box 3 seconds after plugging in the adjustable bed, the light will flash quickly. Then press any key on remote control (D). When the light stops flashing, the match is successful.



Figure 4



Figure 5

## Step 7

For safety reasons, lifting the adjustable bed frame must be performed by two (2) people; The bed should always be in a flat position before operation. Excessive pressure may damage the legs. Remove all protective plastic covering. Note: Check to make sure that all power cords are clear and do not interfere with any Adjustable Bed Mechanisms.



## Step 8

Note: Get the Mattress Retainer Bar (E) from packaging. Carefully insert the mattress retainer bar (E) into the 2 holes on the foot end of bed base. (See Figure below)



## Step 9

Plug in the adjustable base. You are ready to enjoy!

# Remote Control

---



## Head Position Adjustments (1, 2)

Press and hold the button to raise or lower the head section of your base.

## Foot Position Adjustments (3, 4)

Press and hold the button to raise or lower the foot section of your base.

## Flat (5)

Press this button to return the power base to a flat position. NOTE: Make sure your base is in a flat position before using it. Press the FLAT button on the remote control after plugging in the power cord.

# TROUBLESHOOTING

---

SYMPTOMS	SOLUTIONS
The base does not respond when the remote is used. Remote LED illuminates and appears to be normal.	<b>Perform any or all of the following:</b> <ul style="list-style-type: none"><li>*Check that the power cord is plugged into a working and grounded electrical outlet.</li><li>*Check that the light on the control box is On.</li><li>*Check the home circuit Breaker and Fuses.</li><li>*Unplug the power cord from the outlet. After a minute, plug it back in. Press any button on the remote. The base should be working.</li></ul>
The remote does not work or light up.	Check the remote LED Light is lighting up when pressed. If not, please replace 3*1.5V batteries.
Base stutters while in motion.	<ul style="list-style-type: none"><li>*Clear any clutter or obstructions under and around the adjustable base. Radio frequency interference from other remotes or electronic devices may affect normal operation.</li><li>*Check the batteries in the remote.</li><li>*Ensure the keys on the remote are being pressed firmly down when operating the Head and Foot buttons.</li></ul>

