
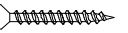
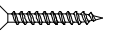
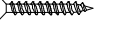
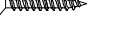

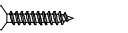
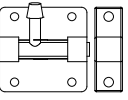
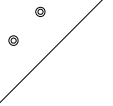
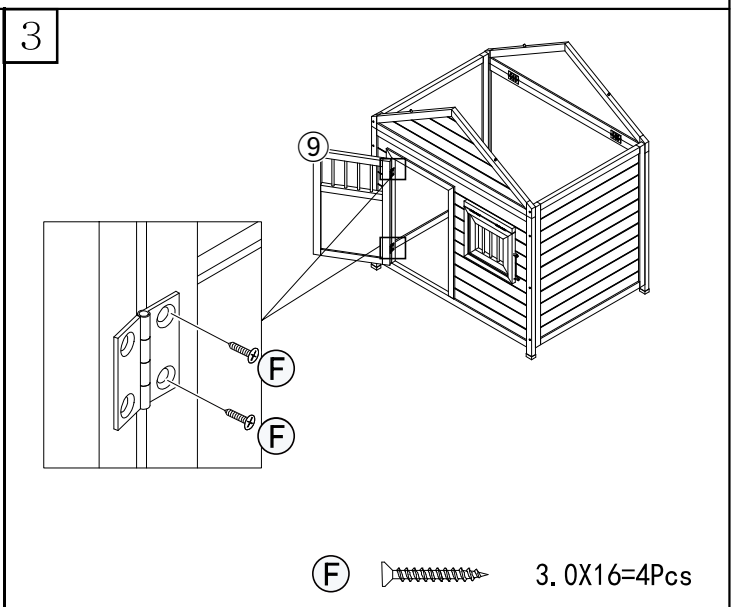
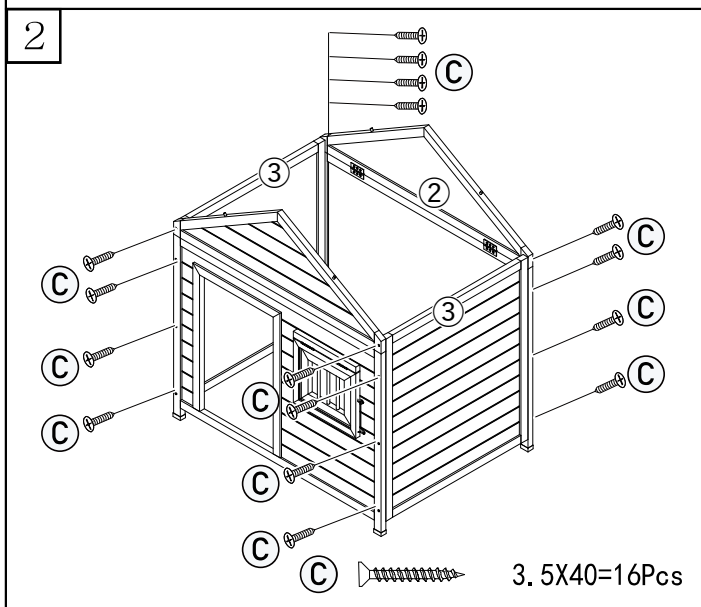
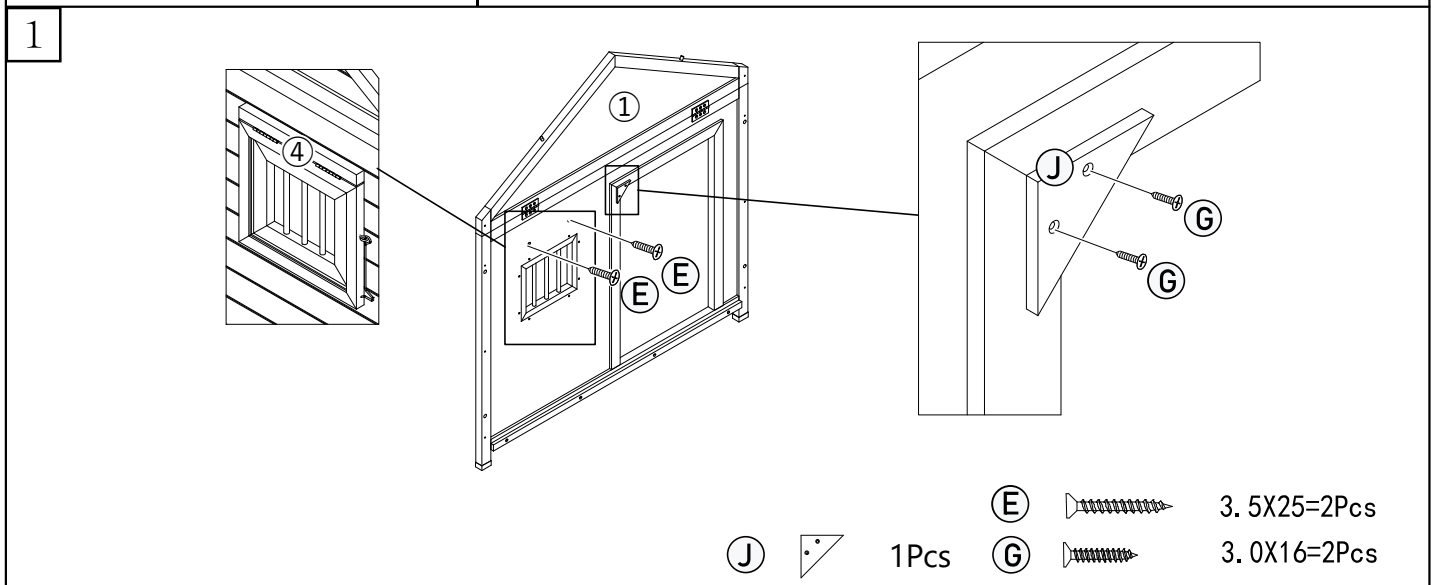
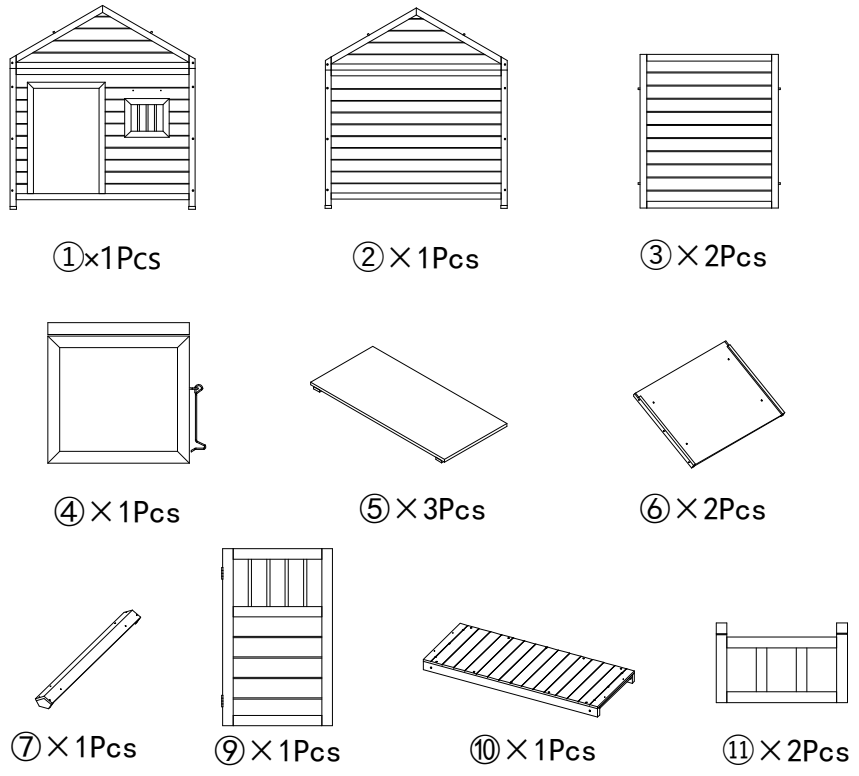


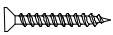

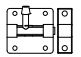
# ASSEMBLY INSTRUCTLONS

- (A)**  3.5X60=2Pcs
- (B)**  3.5X50=4Pcs
- (C)**  3.5X40=18Pcs
- (D)**  3.5X30=16Pcs
- (E)**  3.5X25=6Pcs
- (F)**  1Pcs
- (G)**  3.0X16=12Pcs
- (H)**  1Pcs
- (J)**  1Pcs

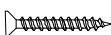


# ASSEMBLY INSTRUCTLONS

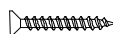
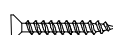
4

**(G)**  3.0X16=6Pcs  
**(F)**  1Pcs  
**(H)**  1Pcs

5

**(B)**  3.5X50=4Pcs

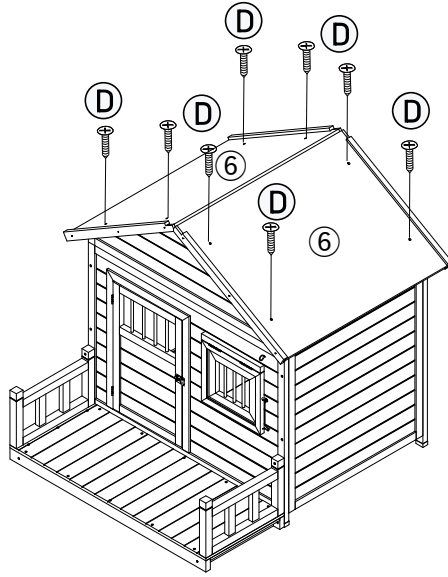
6

**(A)**  3.5X60=2Pcs  
**(C)**  3.5X40=2Pcs

7

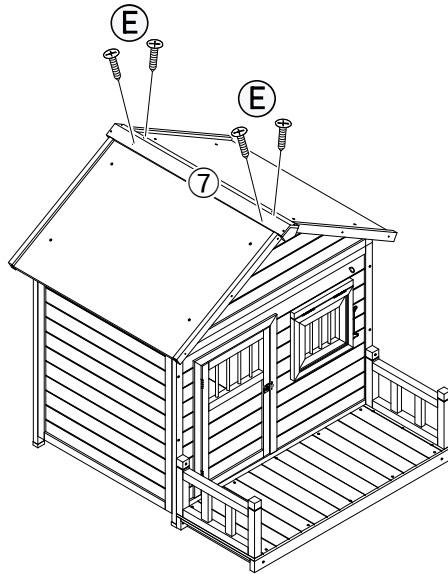
# ASSEMBLY INSTRUCTLONS

8



ⓓ  3.5X30=8Pcs

9



ⓔ  3.5X25=4Pcs

10

