

**USE AND MAINTENANCE**

Use on level surfaces only  
 Because this product needs assembly, it is prone to working itself loose from time to time depending on the use. Please take the time to check that all connections are still tight and working properly  
 Only clean using a damp cloth and mild detergent, do not use bleach or abrasive cleaners.

# 3-Level Cat Tower

**PART LIST**



1 - Cattery x1



2 - First Floor x1



3 - Second Floor x1



4 - Third Floor x1



5 - Supporter x2



6 - Cat Tree x 1

**HARDWARE**



A - Screw x 6



B - Screw x 6



C - Screw x 12

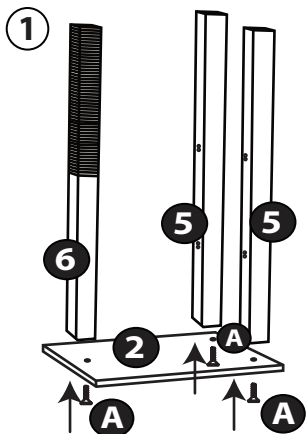


D - Hex Screwdriver x 1

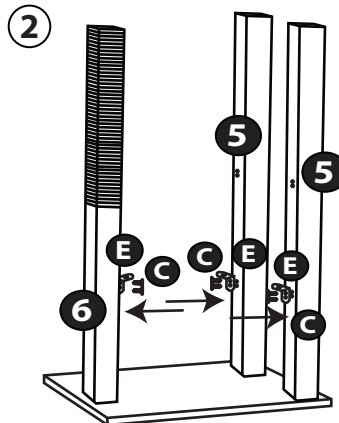


E - Right Angle Retainer x 6

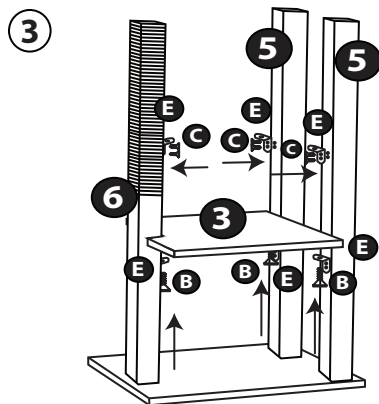
**Assembly Instructions**



1. Insert the 6 and the 5x2 into the 2 with the Ax3.

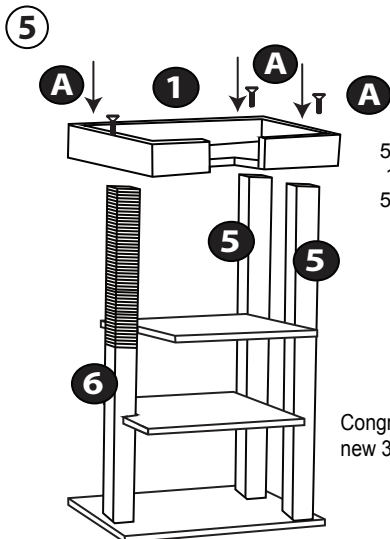
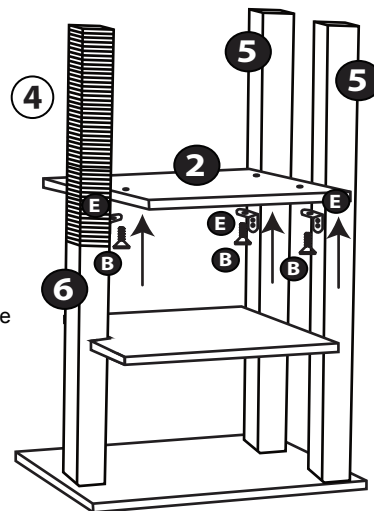


2. Select Ex3, Cx6. Insert Cx2 into the E into the 6. Insert Cx2 into the E into the 5. Repeat for another 5.



3. Put the 3 on the Ex3. Insert the Bx3 into the Ex3 into the 3. Insert the Cx2 into the E into the 6. Repeat for the 5x2.

4. Put the 2 on the Ex3. Insert the Bx3 into the Ex3 into the 2.



5. Insert the Ax3 into top of the 1 into the top of the 6 and the 5x2 with the Ax3.

Congratulations! Setup of your new 3-Level Cat Tower is Complete!

