

ASSEMBLY INSTRUCTIONS



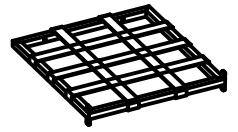
A 1pc



B 1pc



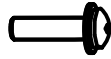
C 1pc



D 1pc



M6*15



M6*40

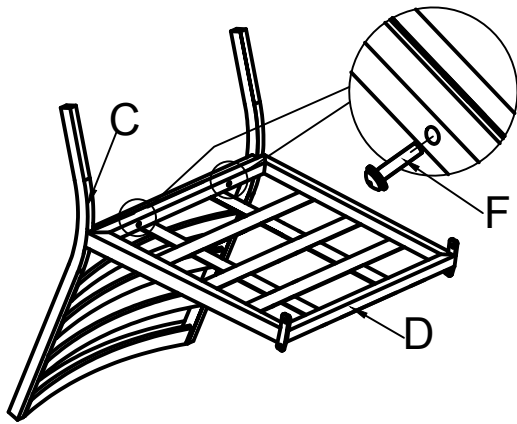


G 1pc

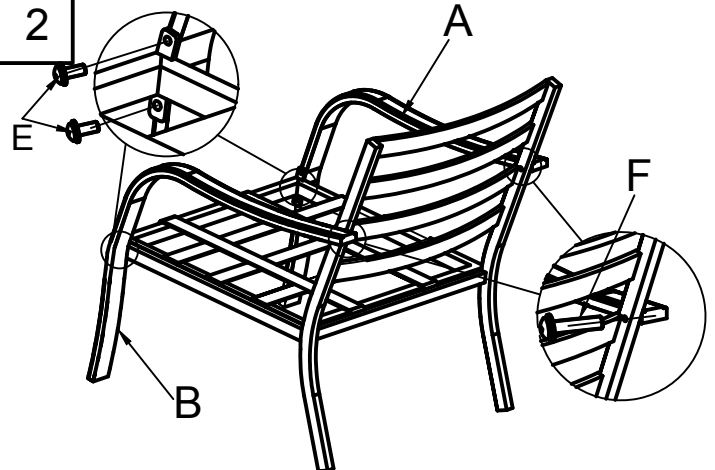
E 4pcs

F 4pcs

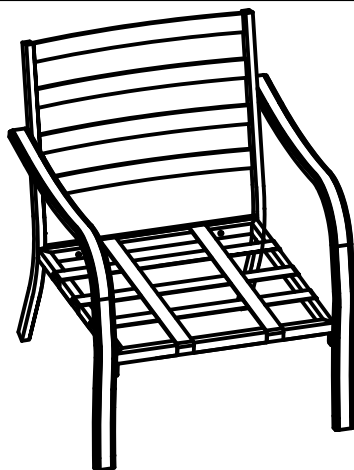
1



2





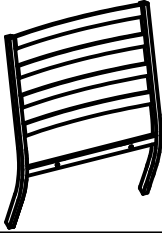
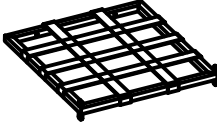

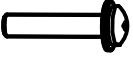

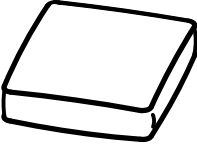
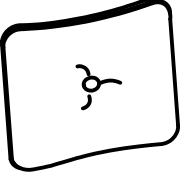
3



ASSEMBLY TIPS:

Please use the hardware and accessories included in the set. DO NOT use other electrical or manual tools. In order to facilitate the assembly and make your final product firm and stable, please tighten by a few rounds each screw one by one. After all screws are connected, then you start to tighten each screw to the end. DO NOT tighten any screw to the end before you have connected all screws. The assembly requires minimal level of DIY skills if you follow the instructions carefully.

Packing List

				 M6*15	 M6*40
A 1pcs	B 1pcs	C 1pc	D 1pc	E 4+1pcs	F 4+1pcs
					
G 1pc	H 1pc	I 1pc			

WARNING:



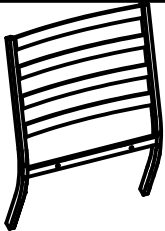
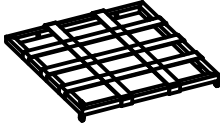

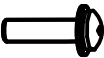

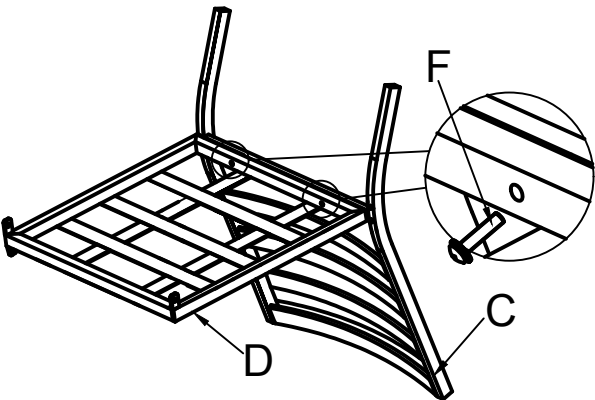
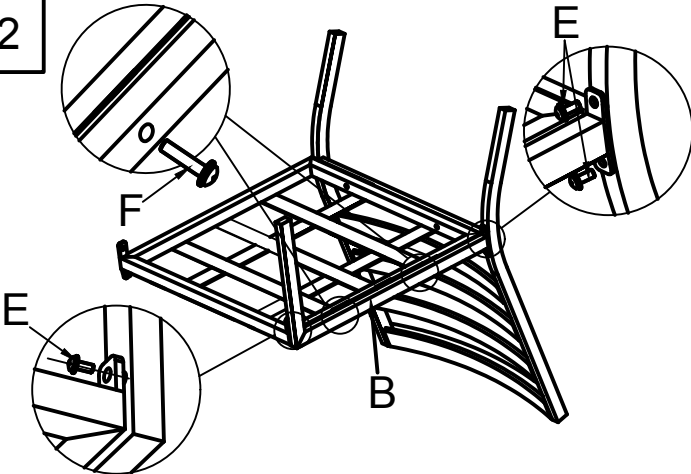
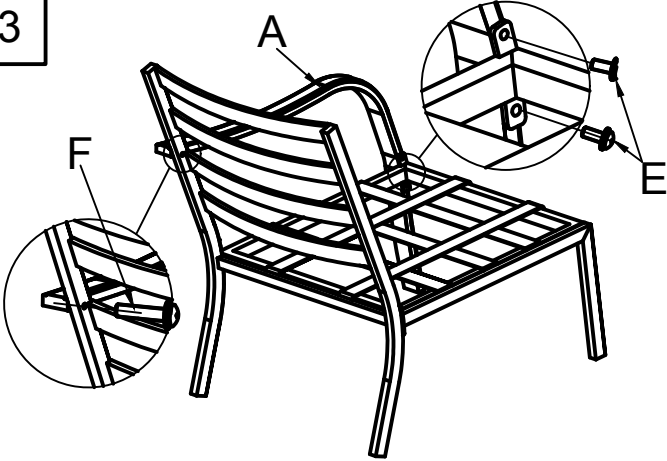

Cushions must be put away in rainy and windy days in case they are diminished or blown away.

ASSEMBLY TIPS: Please use the hardware and accessories included in the set. DO NOT use other electrical or manual tools. In order to facilitate the assembly and make your final product firm and stable, please tighten by a few rounds each screw one by one. After all screws are connected, then you start to tighten each screw to the end.

DO NOT tighten any screw to the end before you have connected all screws.

The assembly requires minimal level of DIY skills if you follow the instructions carefully.




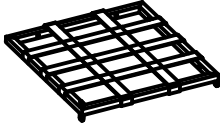




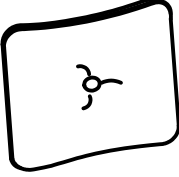
ASSEMBLY INSTRUCTIONS

				 M6*15
A 1pc	B 1pc	C 1pc	D 1pc	E 5pcs
 M6*40				
F 5pcs	G 1pc			
<div style="border: 1px solid black; padding: 5px; width: 30px; float: left; margin-right: 10px;">1</div> 	<div style="border: 1px solid black; padding: 5px; width: 30px; float: left; margin-right: 10px;">2</div> 			
<div style="border: 1px solid black; padding: 5px; width: 30px; float: left; margin-right: 10px;">3</div> 	<div style="border: 1px solid black; padding: 5px; width: 30px; float: left; margin-right: 10px;">4</div> 			

ASSEMBLY TIPS:

Please use the hardware and accessories included in the set. DO NOT use other electrical or manual tools. In order to facilitate the assembly and make your final product firm and stable, please tighten by a few rounds each screw one by one. After all screws are connected, then you start to tighten each screw to the end. DO NOT tighten any screw to the end before you have connected all screws. The assembly requires minimal level of DIY skills if you follow the instructions carefully.

Packing List

				 M6*15
A 1pc	B 1pc	C 1pc	D 1pc	E 5+2pcs
 M6*40				
F 5+2pcs	G 1pc	H 1pc	I 1pc	

WARNING:



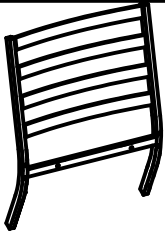
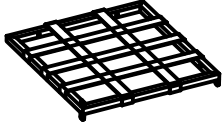



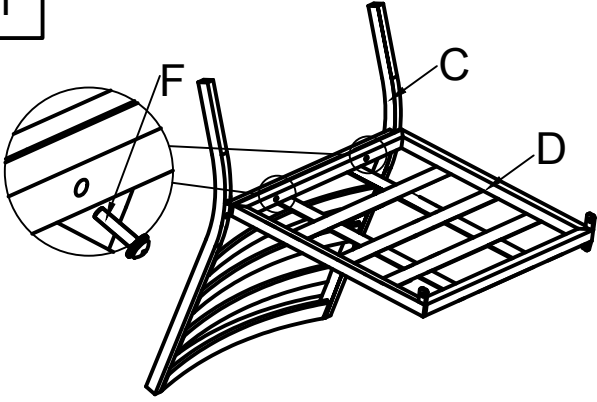
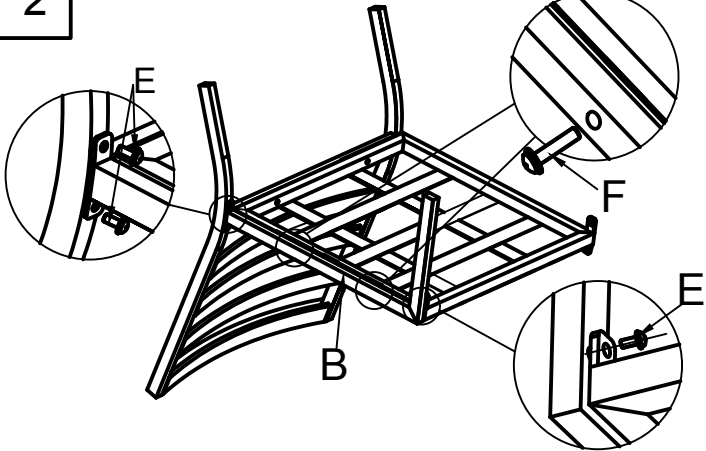
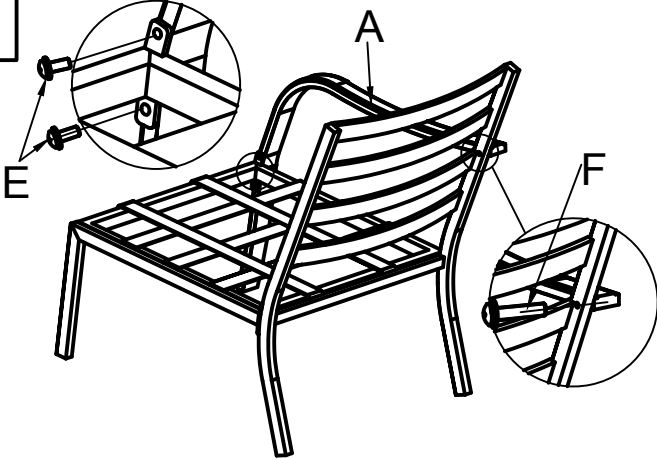

Cushions must be put away in rainy and windy days in case they are diminished or blown away.

ASSEMBLY TIPS: Please use the hardware and accessories included in the set. DO NOT use other electrical or manual tools. In order to facilitate the assembly and make your final product firm and stable, please tighten by a few rounds each screw one by one. After all screws are connected, then you start to tighten each screw to the end.

DO NOT tighten any screw to the end before you have connected all screws.

The assembly requires minimal level of DIY skills if you follow the instructions carefully.




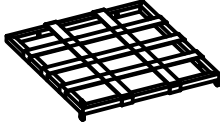




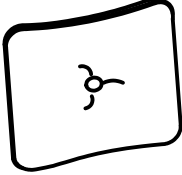
ASSEMBLY INSTRUCTIONS

				 M6*15
A 1pc	B 1pc	C 1pc	D 1pc	E 5pcs
 M6*40				
F 5pcs	G 1pc			
1 	2 	3 	4 	

ASSEMBLY TIPS:

Please use the hardware and accessories included in the set. DO NOT use other electrical or manual tools. In order to facilitate the assembly and make your final product firm and stable, please tighten by a few rounds each screw one by one. After all screws are connected, then you start to tighten each screw to the end. DO NOT tighten any screw to the end before you have connected all screws. The assembly requires minimal level of DIY skills if you follow the instructions carefully.

Packing List

				 M6*15
A 1pc	B 1pc	C 1pc	D 1pc	E 5+2pcs
 M6*40				
F 5+2pcs	G 1pc	H 1pc	I 1pc	

WARNING:



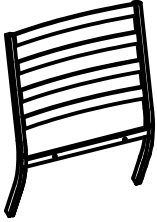
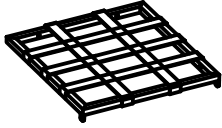

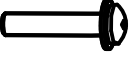

Cushions must be put away in rainy and windy days in case they are diminished or blown away.

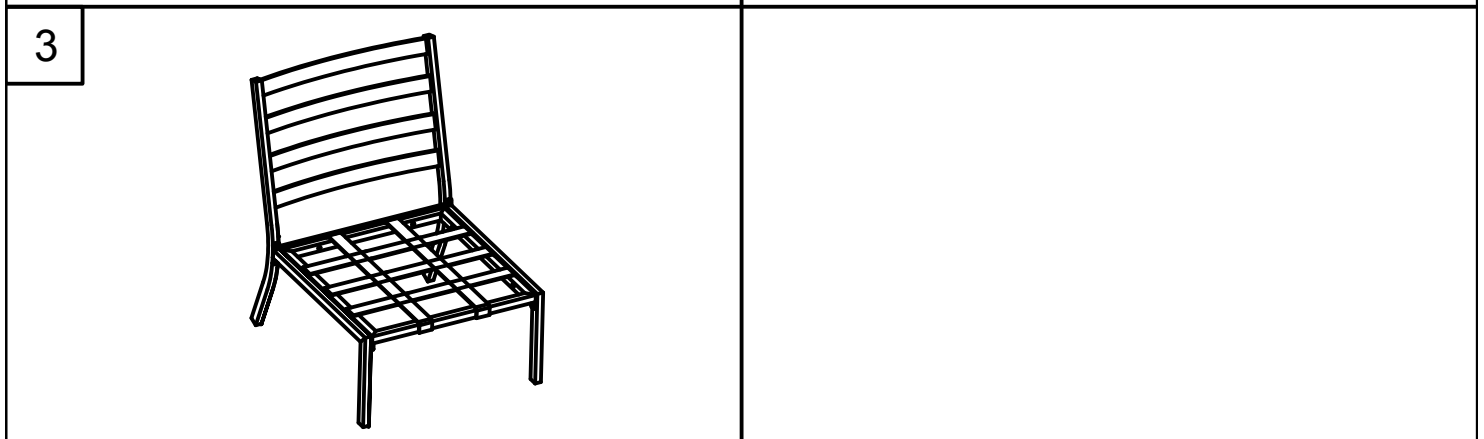
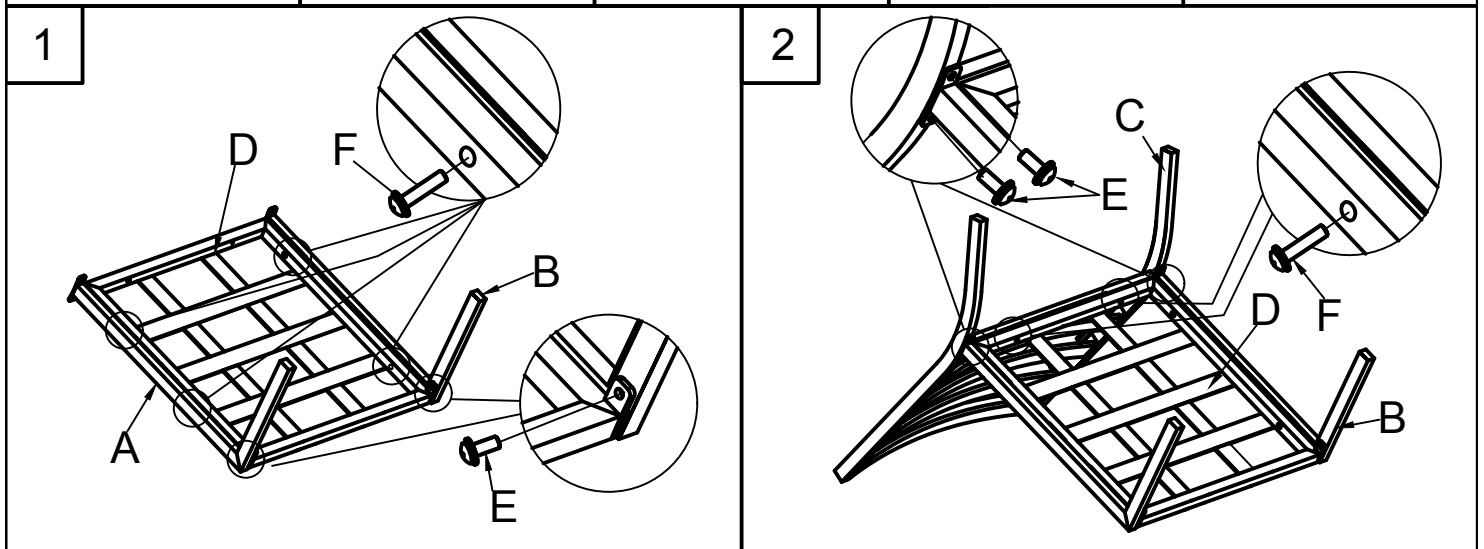
ASSEMBLY TIPS: Please use the hardware and accessories included in the set. DO NOT use other electrical or manual tools. In order to facilitate the assembly and make your final product firm and stable, please tighten by a few rounds each screw one by one. After all screws are connected, then you start to tighten each screw to the end.

DO NOT tighten any screw to the end before you have connected all screws.

The assembly requires minimal level of DIY skills if you follow the instructions carefully.

ASSEMBLY INSTRUCTIONS



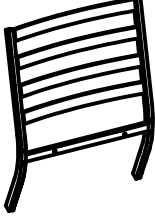
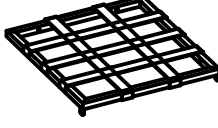
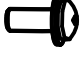
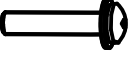

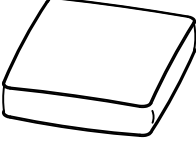
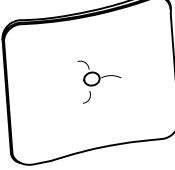
				 M6*15
A 1pc	B 1pc	C 1pc	D 1pc	E 6pcs
 M6*40				
F 6pcs	G 1pc			



ASSEMBLY TIPS:

Please use the hardware and accessories included in the set. DO NOT use other electrical or manual tools. In order to facilitate the assembly and make your final product firm and stable, please tighten by a few rounds each screw one by one. After all screws are connected, then you start to tighten each screw to the end. DO NOT tighten any screw to the end before you have connected all screws. The assembly requires minimal level of DIY skills if you follow the instructions carefully.

Packing List

				 M6*15
A 1pc	B 1pc	C 1pc	D 1pc	E 6+2pcs
 M6*40				
F 6+2pcs	G 1pc	H 1pc	I 1pc	

WARNING:

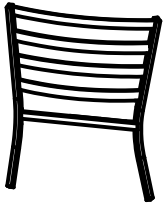
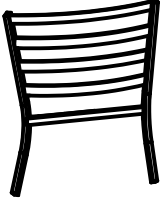

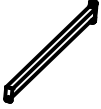
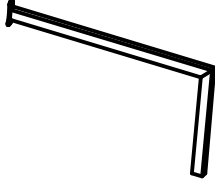


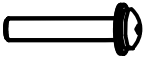




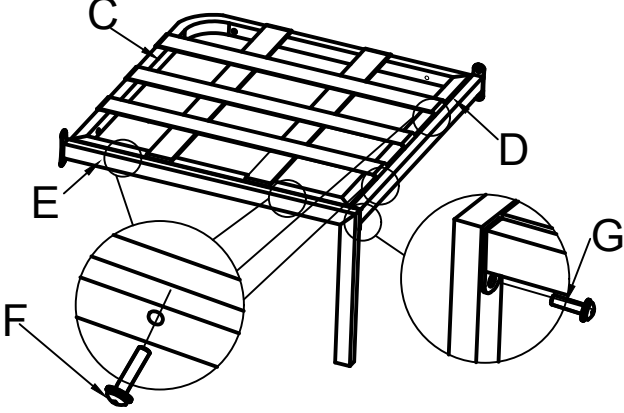
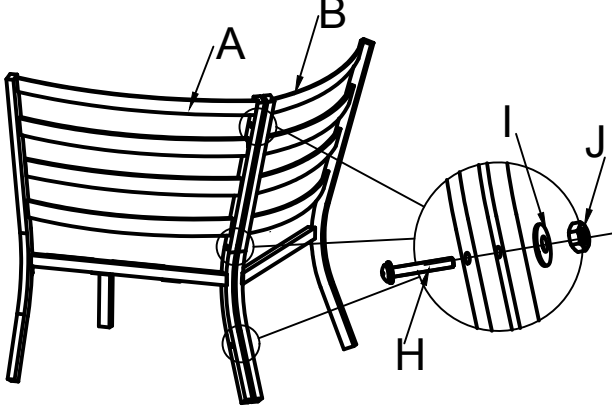
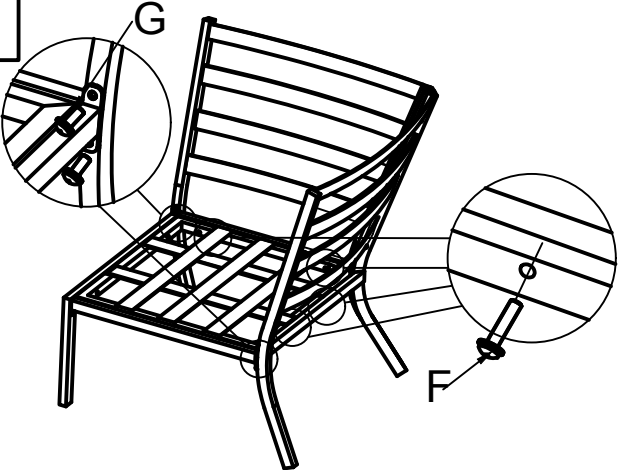
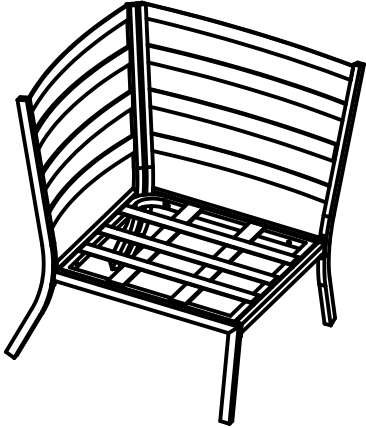
Cushions must be put away in rainy and windy days in case they are diminished or blown away.

ASSEMBLY TIPS: Please use the hardware and accessories included in the set. **DO NOT** use other electrical or manual tools. In order to facilitate the assembly and make your final product firm and stable, please tighten by a few rounds each screw one by one. After all screws are connected, then you start to tighten each screw to the end.

DO NOT tighten any screw to the end before you have connected all screws.

The assembly requires minimal level of DIY skills if you follow the instructions carefully.




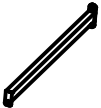
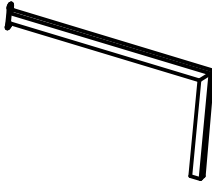


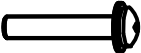




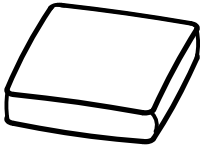
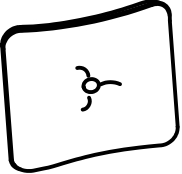
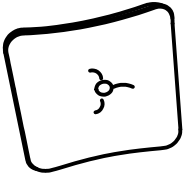
ASSEMBLY INSTRUCTIONS

					 M6*40
A 1pc	B 1pc	C 1pc	D 1pc	E 1pc	F 8pcs
 M6*15	 M6*50	 ø13*ø6.5*1.0	 M6	 M6	 M6
G 5pcs	H 3pcs	I 3pcs	J 3pcs	K 1pc	L 1pc
1					
2					
3					
4					

ASSEMBLY TIPS:

Please use the hardware and accessories included in the set. DO NOT use other electrical or manual tools. In order to facilitate the assembly and make your final product firm and stable, please tighten by a few rounds each screw one by one. After all screws are connected, then you start to tighten each screw to the end. DO NOT tighten any screw to the end before you have connected all screws. The assembly requires minimal level of DIY skills if you follow the instructions carefully.

Packing List

					 M6*40
A 1pc	B 1pc	C 1pc	D 1pc	E 1pc	F 8+2pcs
 M6*15	 M6*50	 ø13*ø6.5*1.0	 M6		 M6
G 5+2pcs	H 3+1pcs	I 3+1pcs	J 3+1pcs	K 1pc	L 1pc
					
M 1pc	N 1pc	O 1pc			

WARNING:

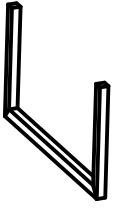
Cushions must be put away in rainy and windy days in case they are diminished or blown away.

ASSEMBLY TIPS: Please use the hardware and accessories included in the set. DO NOT use other electrical or manual tools. In order to facilitate the assembly and make your final product firm and stable, please tighten by a few rounds each screw one by one. After all screws are connected, then you start to tighten each screw to the end.

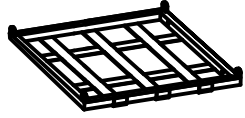
DO NOT tighten any screw to the end before you have connected all screws.

The assembly requires minimal level of DIY skills if you follow the instructions carefully.

ASSEMBLY INSTRUCTIONS



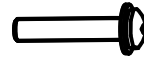
A 2pcs



B 1pc



M6*15

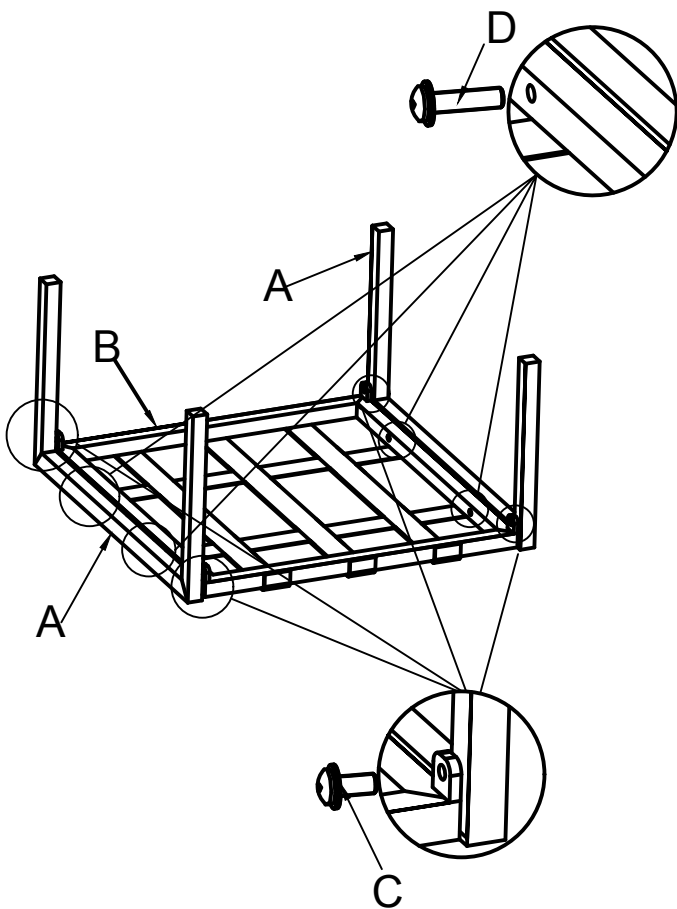


M6*40

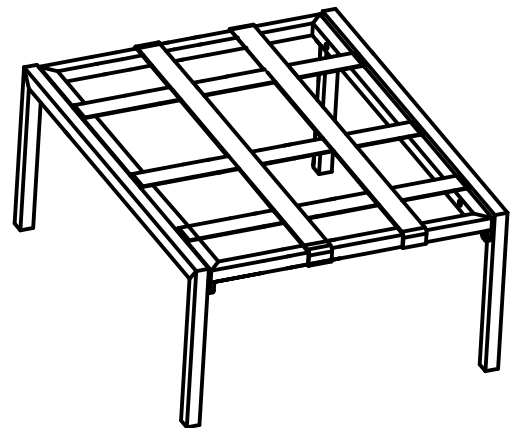


E 1pc

1



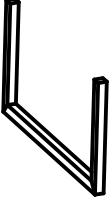
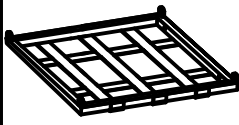

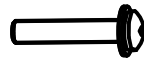

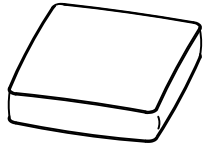
2



ASSEMBLY TIPS:

Please use the hardware and accessories included in the set. DO NOT use other electrical or manual tools. In order to facilitate the assembly and make your final product firm and stable, please tighten by a few rounds each screw one by one. After all screws are connected, then you start to tighten each screw to the end. DO NOT tighten any screw to the end before you have connected all screws. The assembly requires minimal level of DIY skills if you follow the instructions carefully.

Packing List

		 M6*15	 M6*40		
A 2pcs	B 1pc	C 4+1pcs	D 4+1pcs	E 1pc	F 1pc

WARNING:

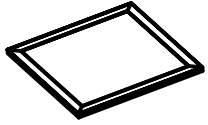
Cushions must be put away in rainy and windy days in case they are diminished or blown away.

ASSEMBLY TIPS: Please use the hardware and accessories included in the set. DO NOT use other electrical or manual tools. In order to facilitate the assembly and make your final product firm and stable, please tighten by a few rounds each screw one by one. After all screws are connected, then you start to tighten each screw to the end.

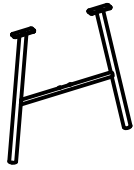
DO NOT tighten any screw to the end before you have connected all screws.

The assembly requires minimal level of DIY skills if you follow the instructions carefully.

ASSEMBLY INSTRUCTIONS



A 1pc



B 2pcs



C 1pc

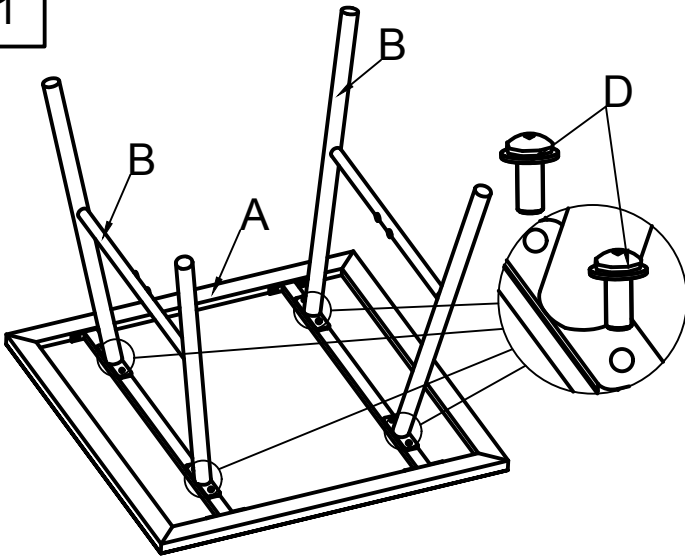


D 12pcs

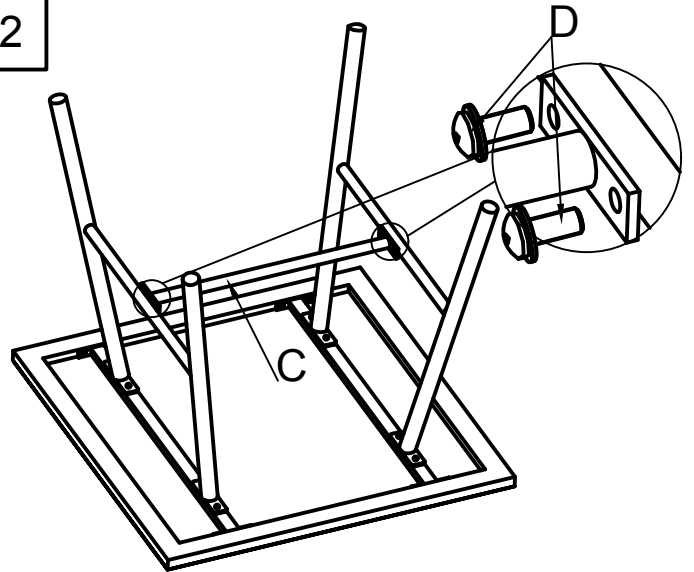


E 1pc

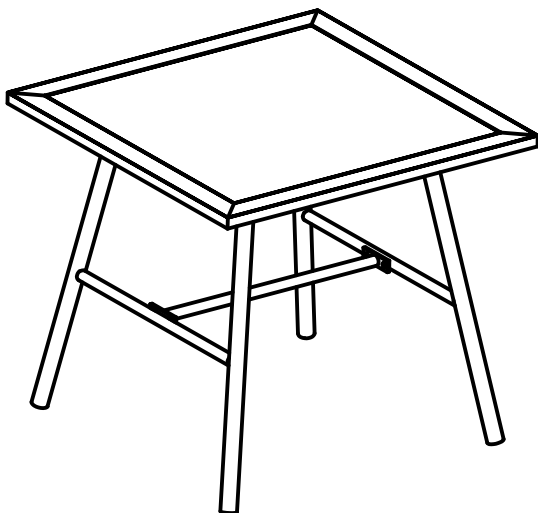
1



2



3

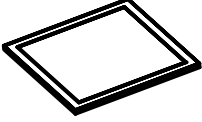
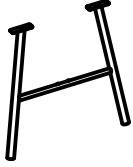





4

ASSEMBLY TIPS:

Please use the hardware and accessories included in the set. DO NOT use other electrical or manual tools. In order to facilitate the assembly and make your final product firm and stable, please tighten by a few rounds each screw one by one. After all screws are connected, then you start to tighten each screw to the end. DO NOT tighten any screw to the end before you have connected all screws. The assembly requires minimal level of DIY skills if you follow the instructions carefully.

Packing List

			 M6*15		
A 1pc	B 2pcs	C 1pc	D 12+3pcs	E 1pc	

WARNING:

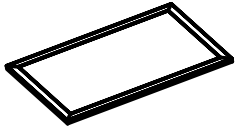
Cushions must be put away in rainy and windy days in case they are diminished or blown away.

ASSEMBLY TIPS: Please use the hardware and accessories included in the set. DO NOT use other electrical or manual tools. In order to facilitate the assembly and make your final product firm and stable, please tighten by a few rounds each screw one by one. After all screws are connected, then you start to tighten each screw to the end.

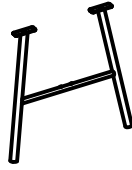
DO NOT tighten any screw to the end before you have connected all screws.

The assembly requires minimal level of DIY skills if you follow the instructions carefully.

ASSEMBLY INSTRUCTIONS



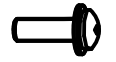
A 1pc



B 2pcs



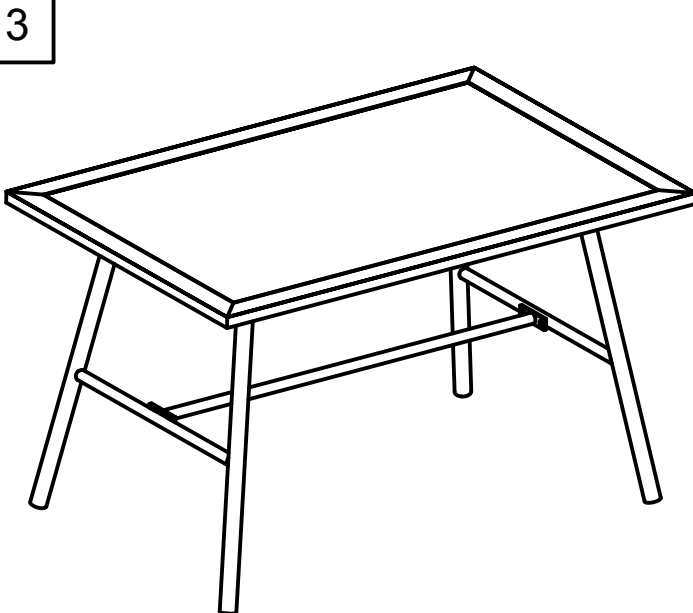
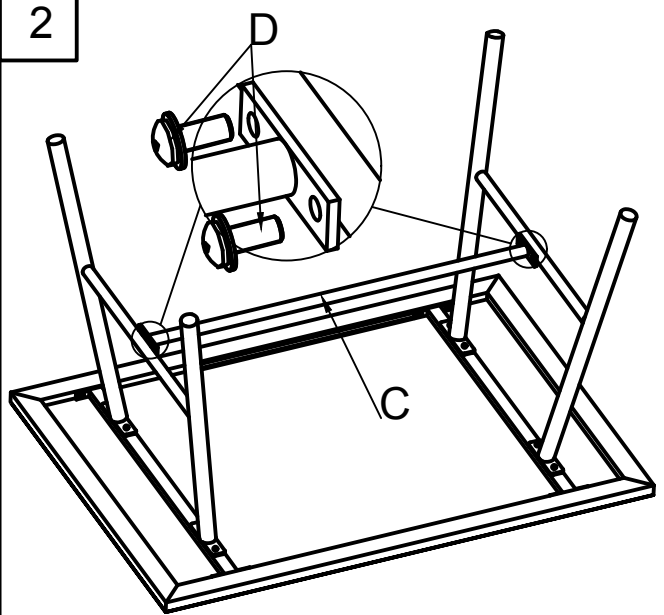
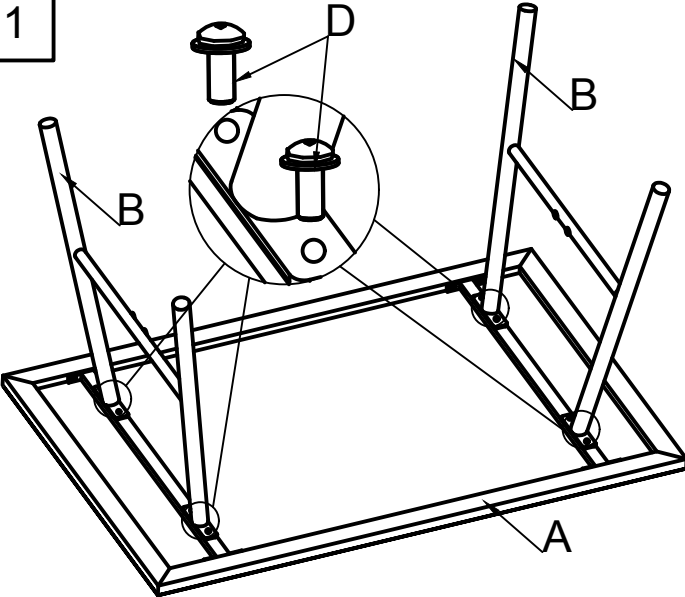
C 1pc



M6*15



E 1pc

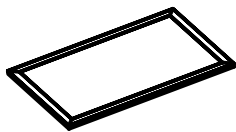
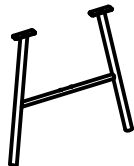





4

ASSEMBLY TIPS:

Please use the hardware and accessories included in the set. DO NOT use other electrical or manual tools. In order to facilitate the assembly and make your final product firm and stable, please tighten by a few rounds each screw one by one. After all screws are connected, then you start to tighten each screw to the end. DO NOT tighten any screw to the end before you have connected all screws. The assembly requires minimal level of DIY skills if you follow the instructions carefully.

Packing List

			 M6*15		
A 1pc	B 2pcs	C 1pc	D 12+3pcs	E 1pc	

WARNING:

Cushions must be put away in rainy and windy days in case they are diminished or blown away.

ASSEMBLY TIPS: Please use the hardware and accessories included in the set. DO NOT use other electrical or manual tools. In order to facilitate the assembly and make your final product firm and stable, please tighten by a few rounds each screw one by one. After all screws are connected, then you start to tighten each screw to the end.

DO NOT tighten any screw to the end before you have connected all screws.

The assembly requires minimal level of DIY skills if you follow the instructions carefully.