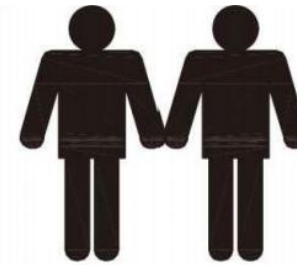
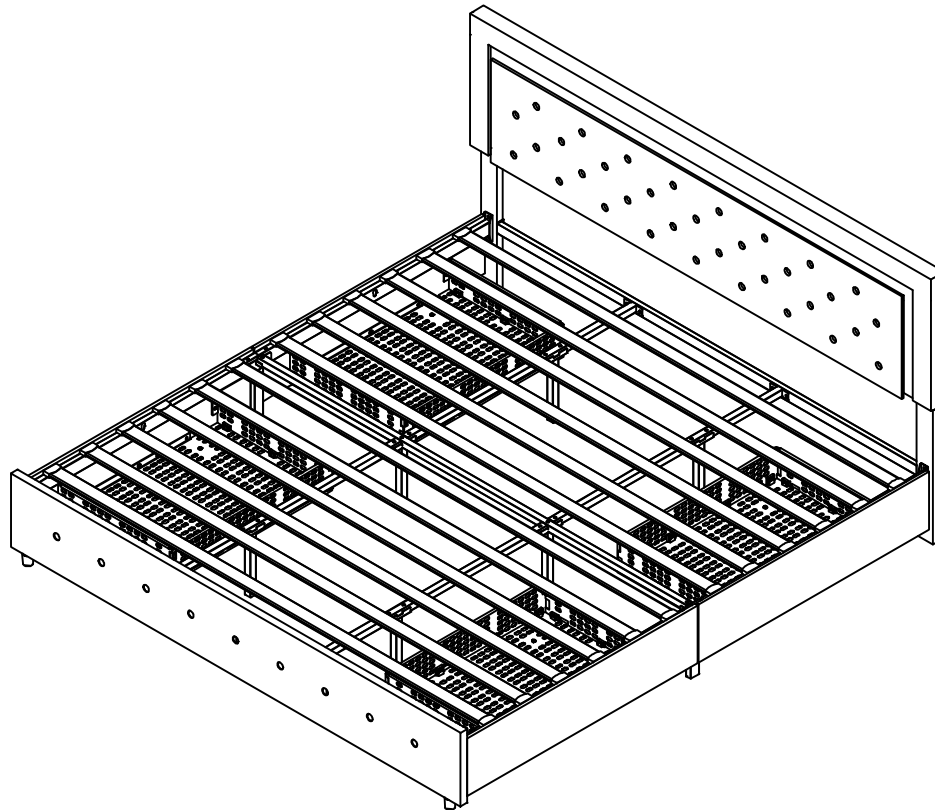


Assembly Instruction

Note:

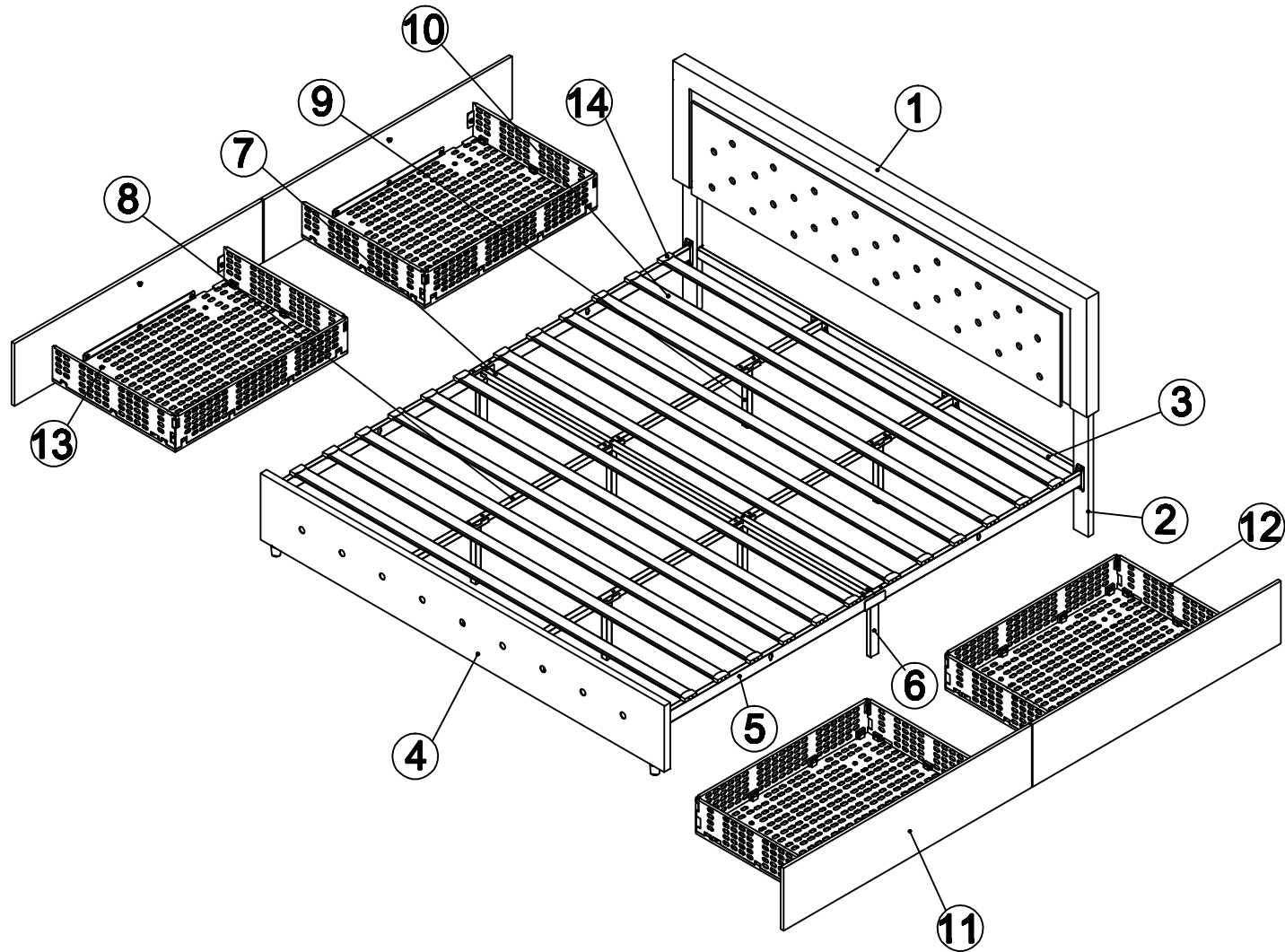
- 1. Should be assembled on flat ground to keep balance.**
- 2. Before completing the installation, do not tighten the screws.**



It needs at least two people to install.





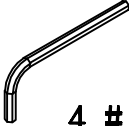



Before starting the assembly, you must read the whole manual and follow the instructions.

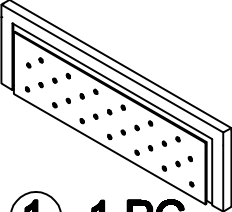
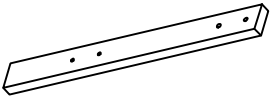
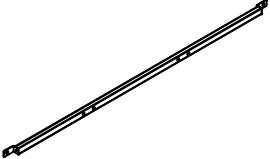
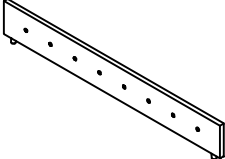
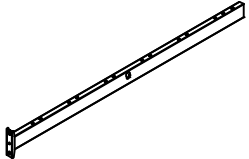
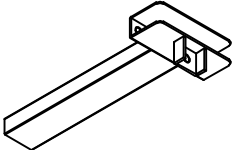
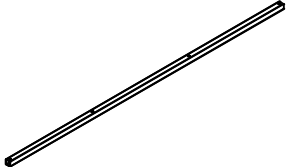
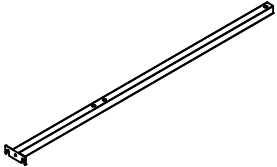
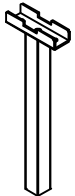
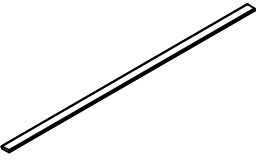
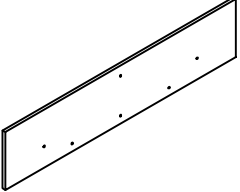
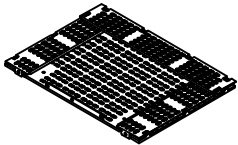
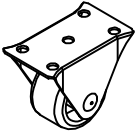
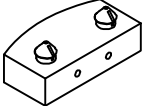

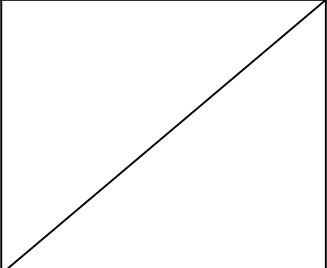
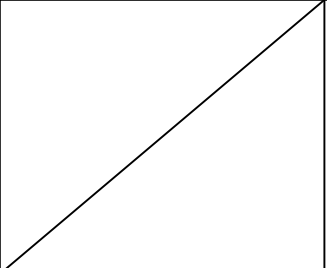


Assembly Instruction



Hardware arts

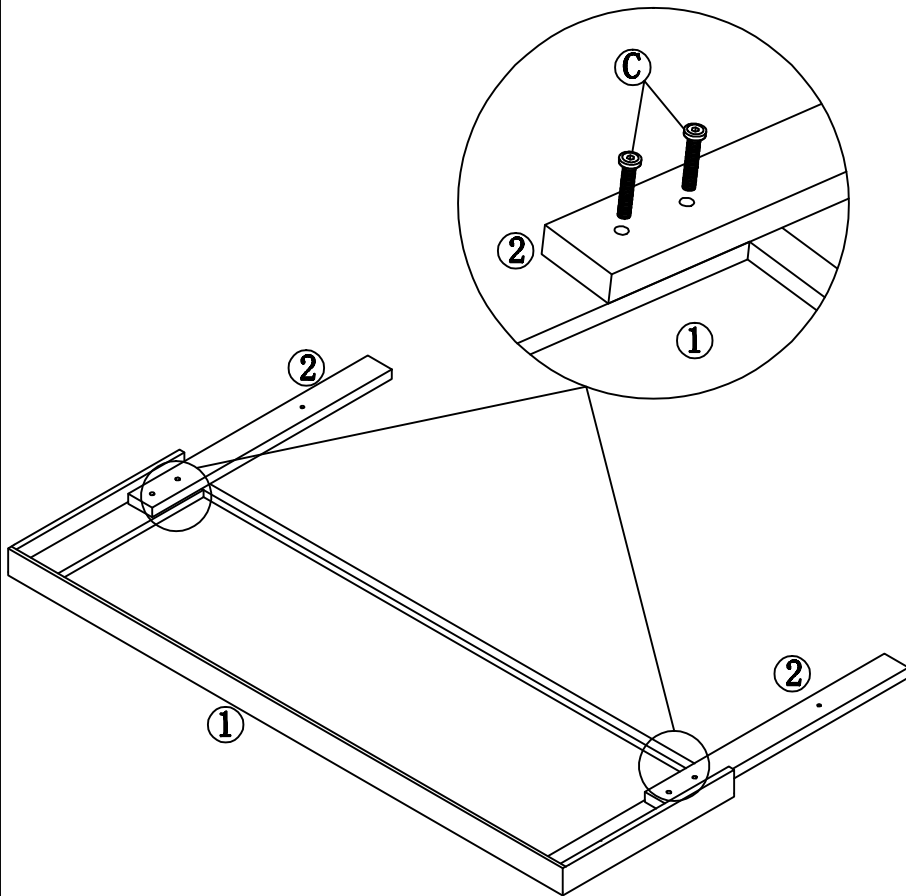
 <p>A M8x20 18pcs</p>	 <p>B M8x35 14pcs</p>	 <p>C M8x45 6pcs</p>	 <p>D M6x12 40pcs</p>	 <p>E 4 # 1pc</p>	 <p>F M8x60 4pcs</p>
---	---	--	---	---	--



Part list

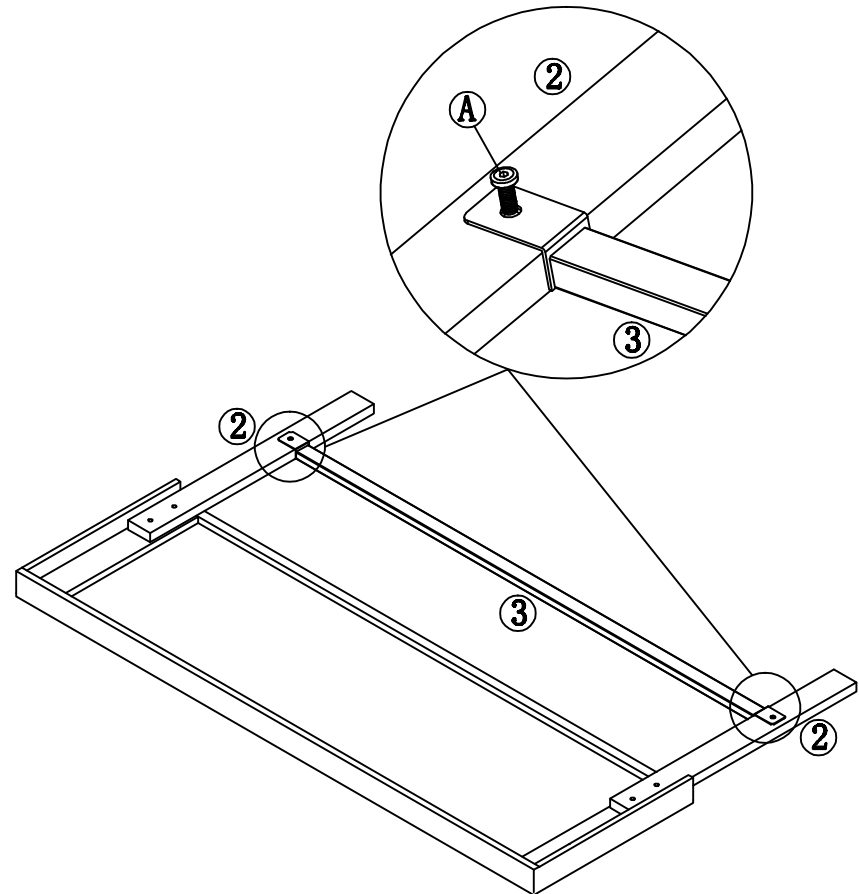
 <p>1 1 PC</p>	 <p>2 2 PCS</p>	 <p>3 1 PC</p>	 <p>4 1 PC</p>	 <p>5 4 PCS</p>	 <p>6 2 PCS</p>
 <p>7 1 PC</p>	 <p>8 4 PCS</p>	 <p>9 6 PCS</p>	 <p>10 12 PCS</p>	 <p>11 4 PCS</p>	 <p>12 4 PCS</p>
 <p>13 16 PCS</p>	 <p>14 24 PCS</p>	 <p>15 1 PC</p>			<p>Page 3/10</p>

Assembly Instruction



C		M8x45	4pcs
E			1pc

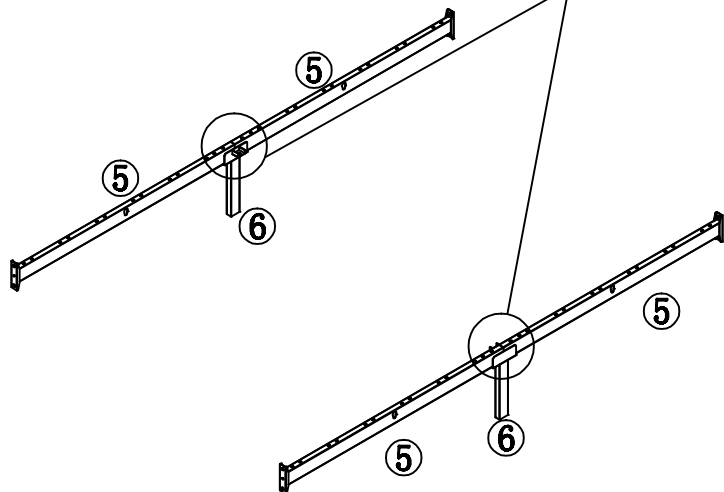
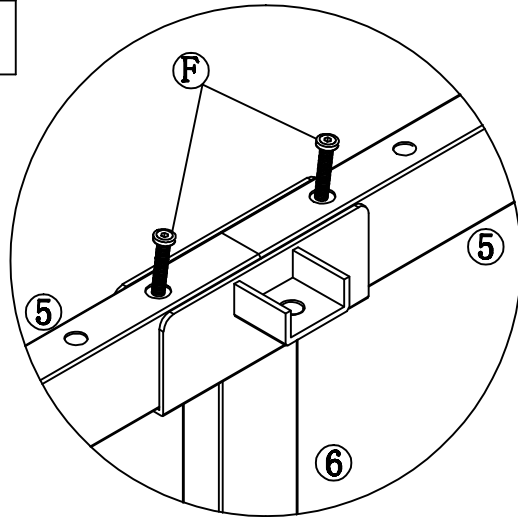




A		M8x20	2pcs
E			1pc

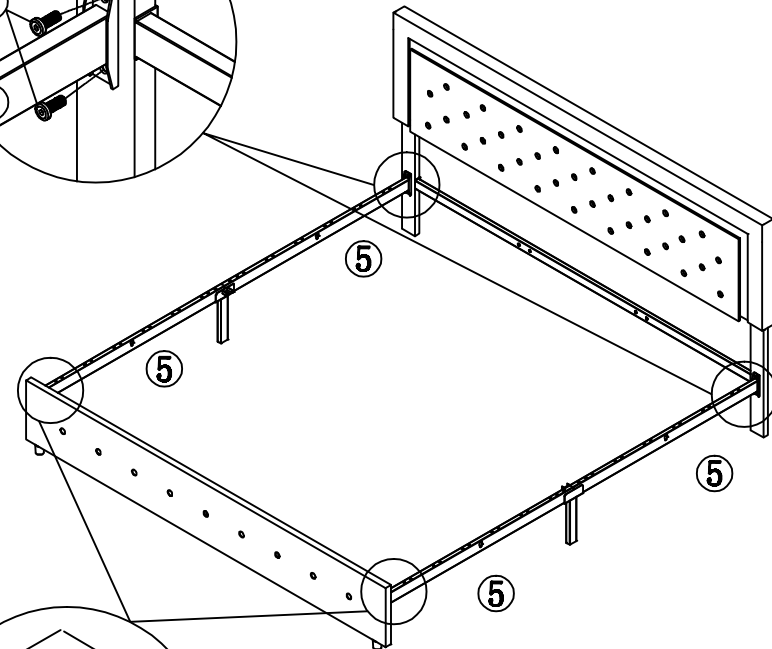
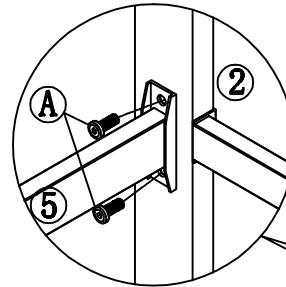


Assembly Instruction




F		M8x60	4pcs
E			1pc






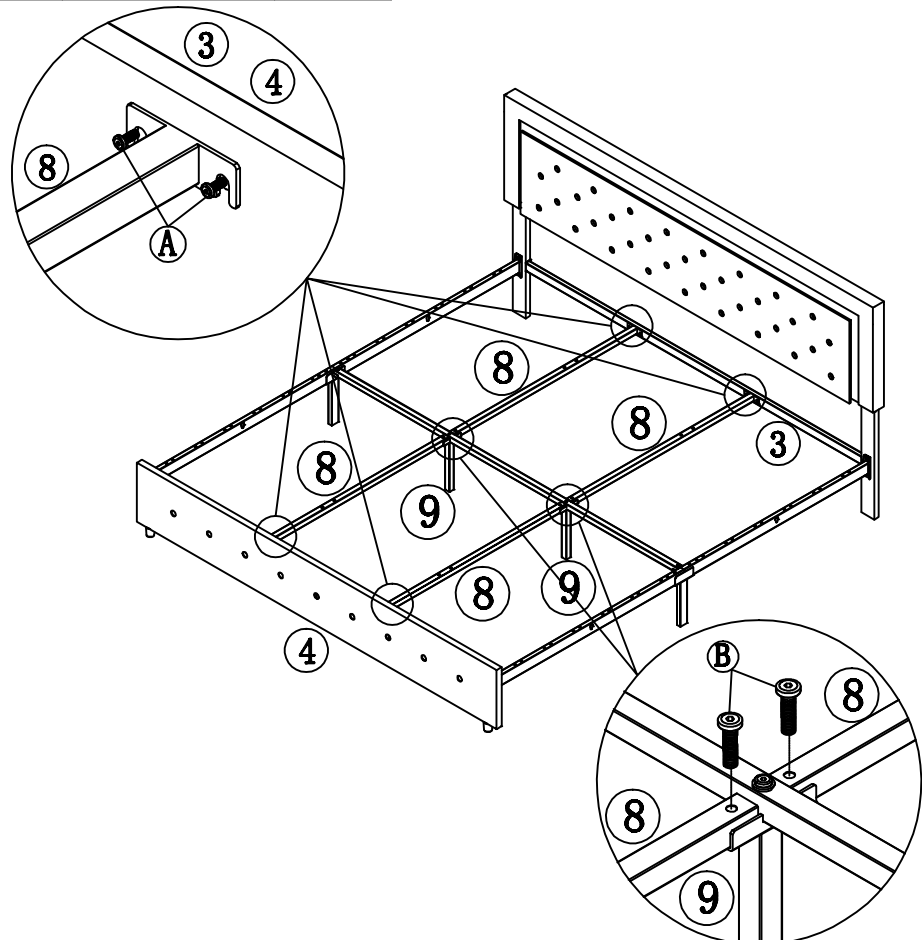
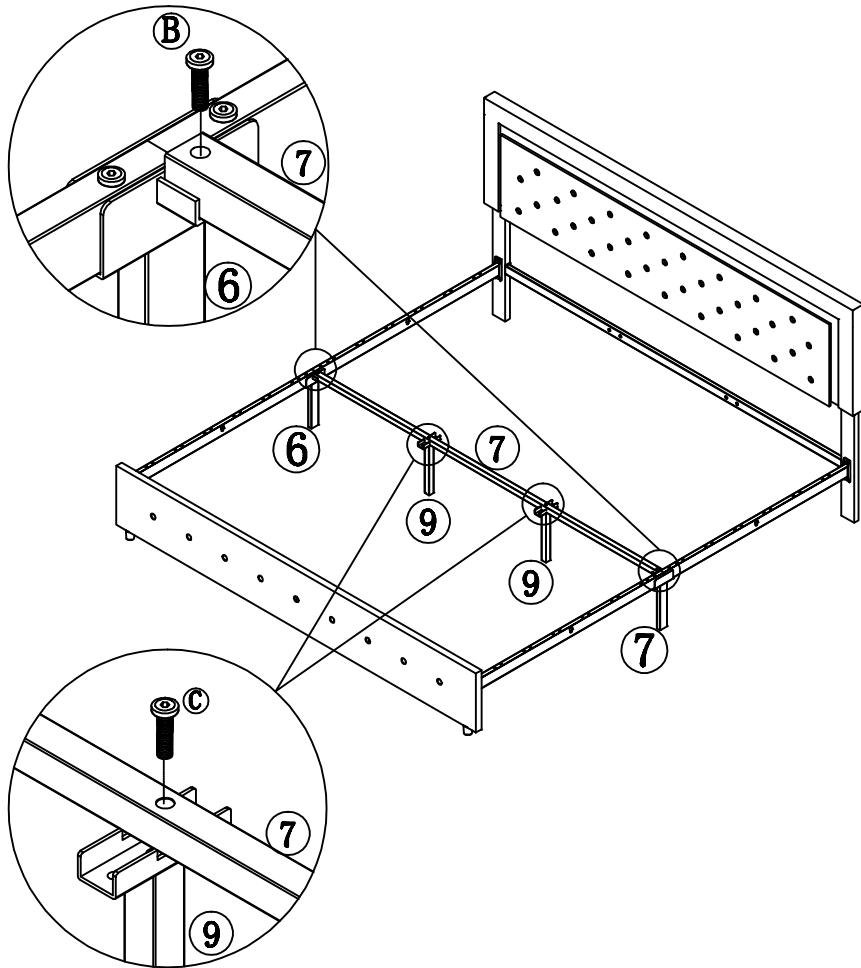
A		M8x20	8pcs
E			1pc





Assembly Instruction

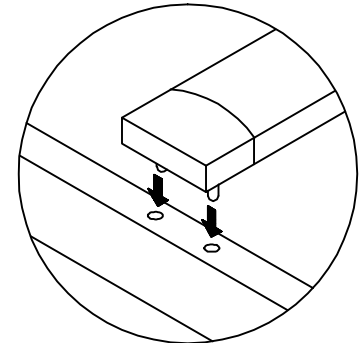
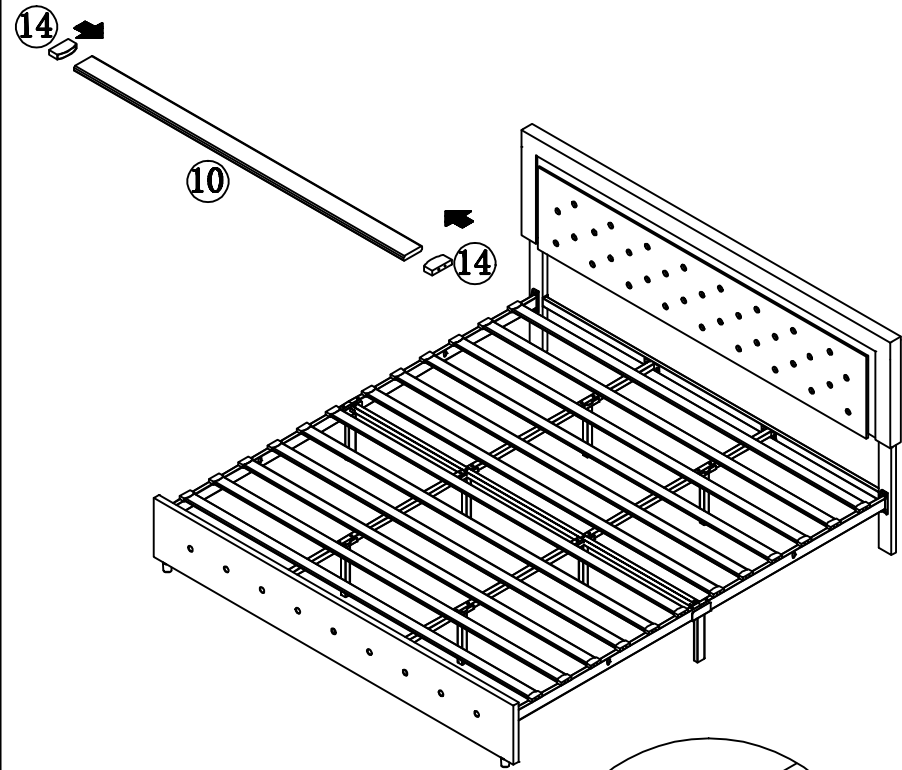
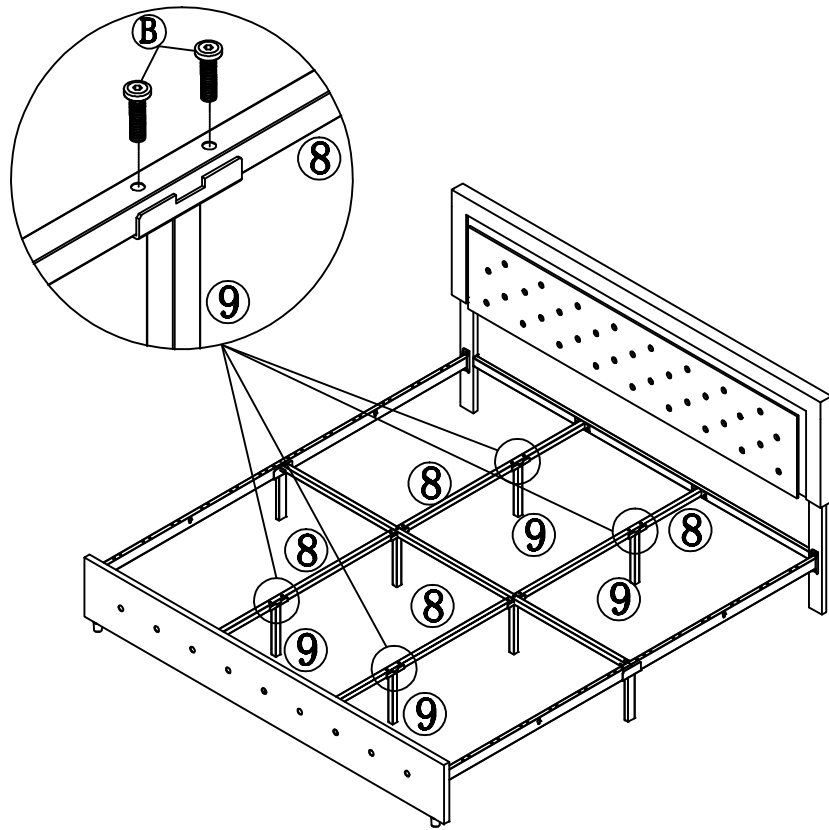
B		M8x35	2pcs
C		M8x45	2pcs
E			1pc

A		M8x20	8pcs
B		M8x35	4pcs
E			1pc

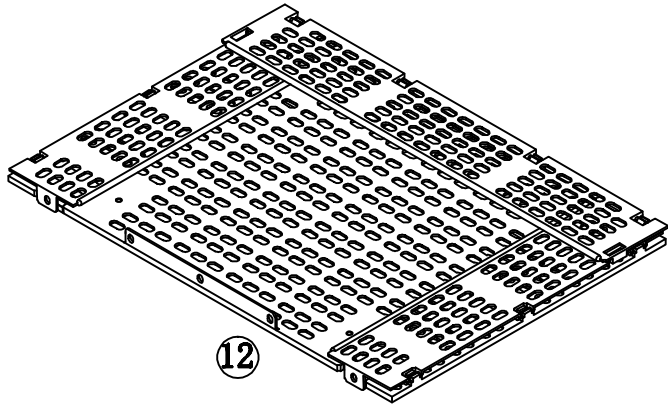


Assembly Instruction

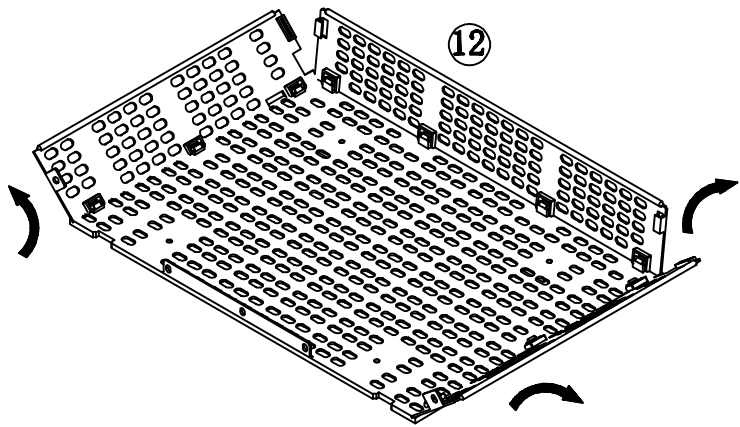
B	 M8x35	8pcs
E		1pc



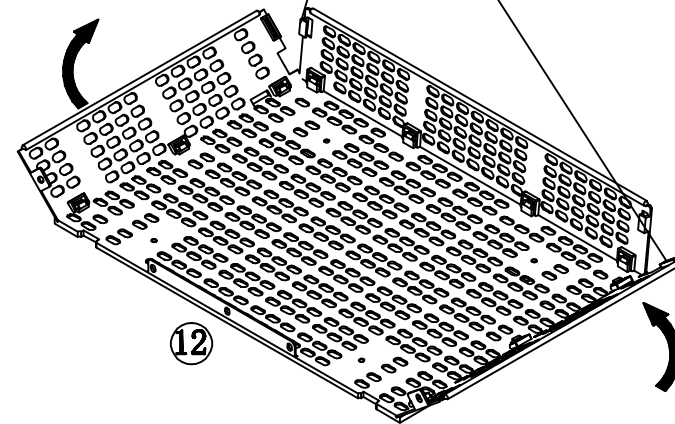
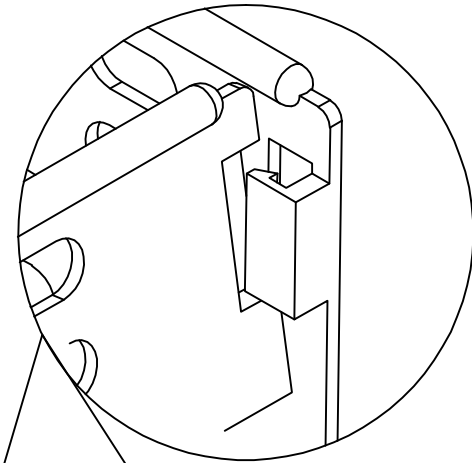
Assembly Instruction



12





x 4

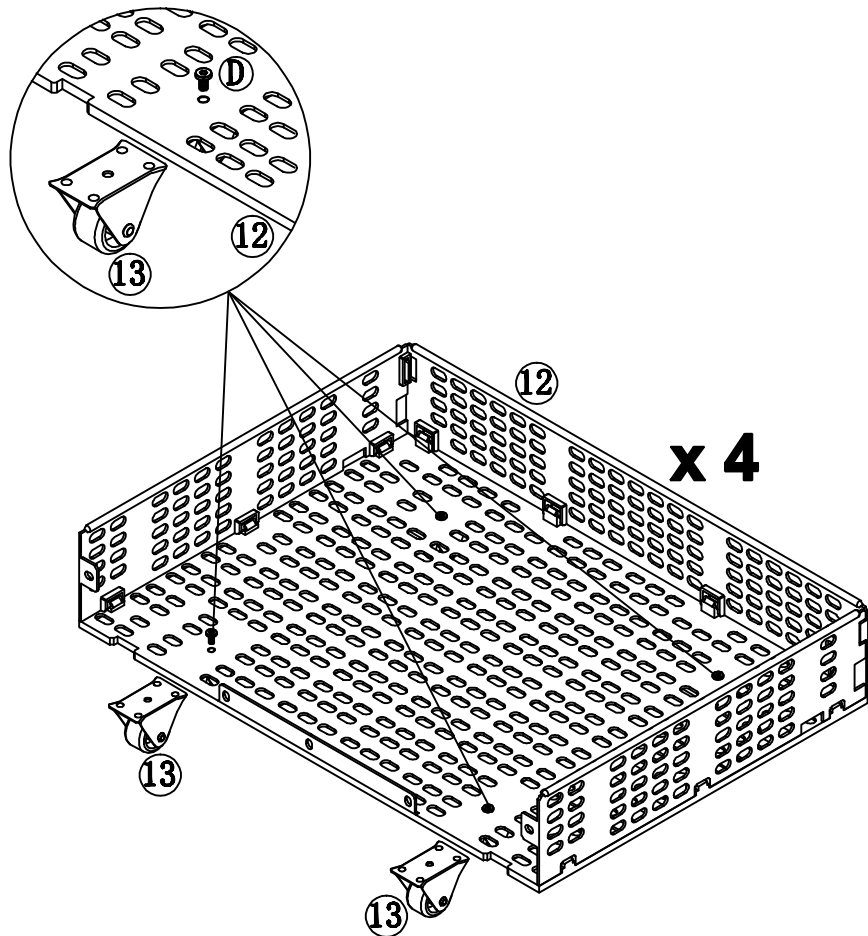




12

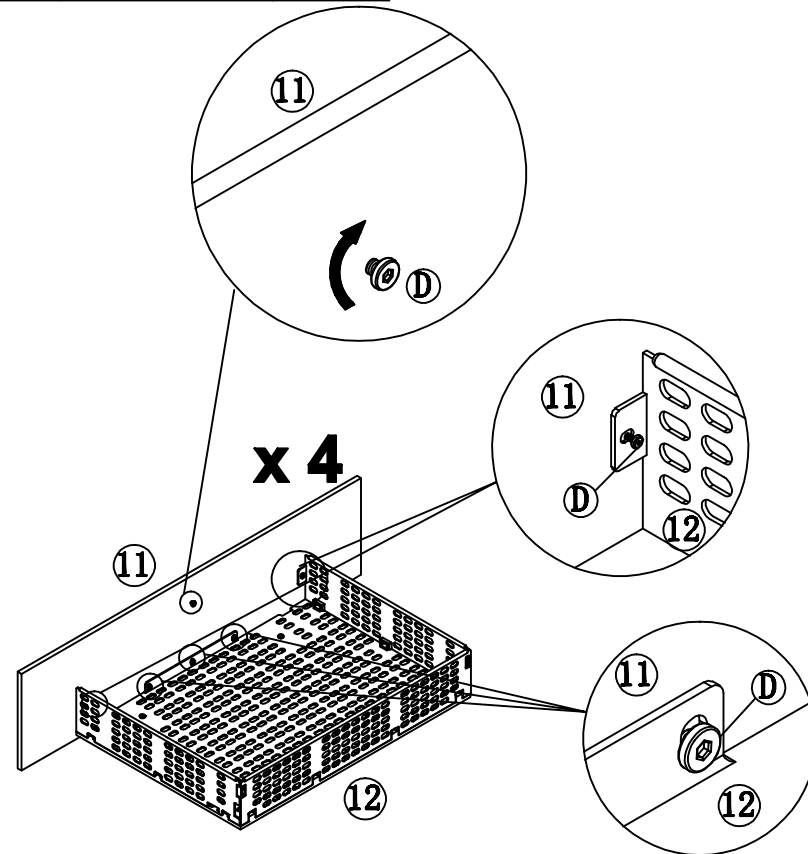
x 4

Assembly Instruction

D	 M6x12	16pcs
E		1pc



D	 M6x12	24pcs
E		1pc



Assembly Instruction

Note:

The pin (part D) is design to leave a protrusion part outside in order to lock the drawer.

