

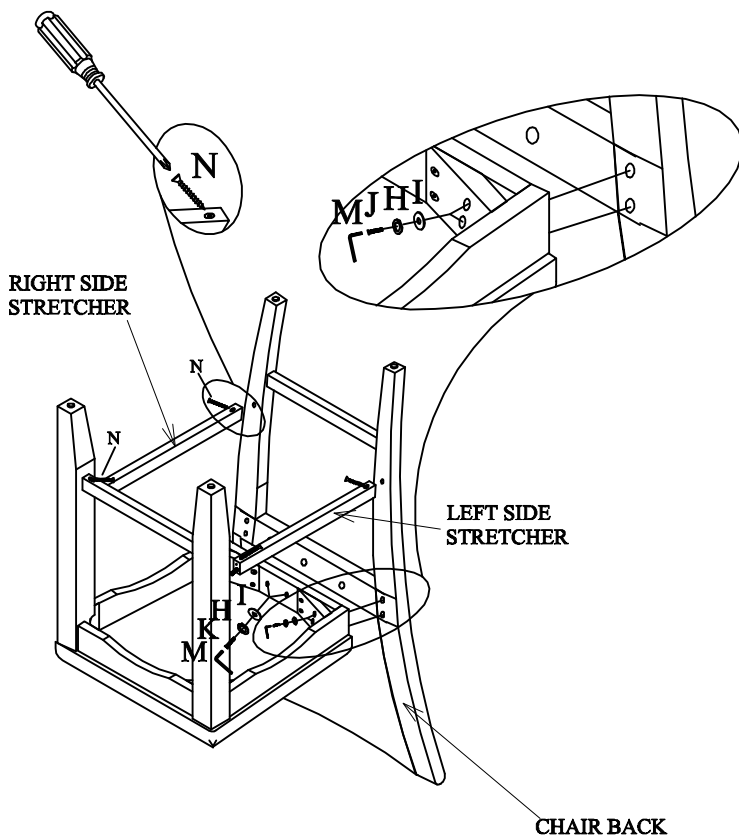
# ASSEMBLY INSTRUCTIONS

**\*DO NOT TIGHTEN SCREWS UNTIL COMPLETELY ASSEMBLED\***

NO.	DESCRIPTION	Q' TY
A	CHAIR BACK	1 PC
B	SEAT	1 PC
C	RIGHT FRONT LEG	1 PC
D	LEFT FRONT LEG	1 PC
E	FRONT STRETCHER	1 PC
F	RIGHT SIDE STRETCHER	1 PC
G	LEFT SIDE STRETCHER	1 PC

NO.	DESCRIPTION	Q' TY
H	LOCK WASHER $\frac{5}{16}$ "	10 PCS
I	FLAT WASHER $\frac{5}{16}$ "x22mm	10 PCS
J	BOLT $\frac{1}{4}$ "DIA $\varnothing\frac{5}{16}$ "x3 $\frac{1}{4}$ "	4 PCS
K	BOLT $\frac{1}{4}$ "DIA $\varnothing\frac{5}{16}$ "x2 $\frac{1}{4}$ "	2 PCS
L	BOLT $\frac{1}{4}$ "DIA $\varnothing\frac{5}{16}$ "x2 $\frac{1}{2}$ "	4 PCS
M	ALLEN WRENCH $\varnothing$ 5mm	1 PC
N	LONG FLAT HEAD SCREW $1\frac{1}{4}$ "	6 PCS

## STEP: 2



## STEP: 1

