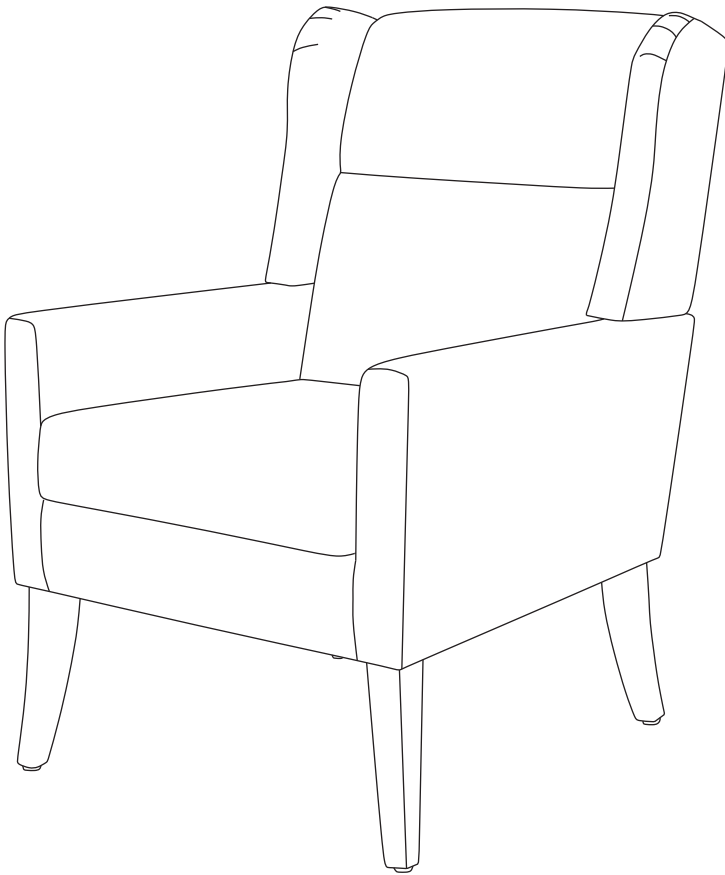


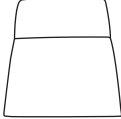





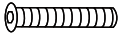





# Instruction Manual

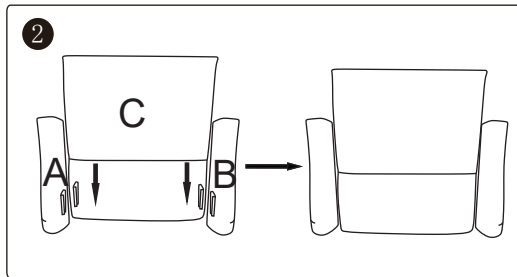
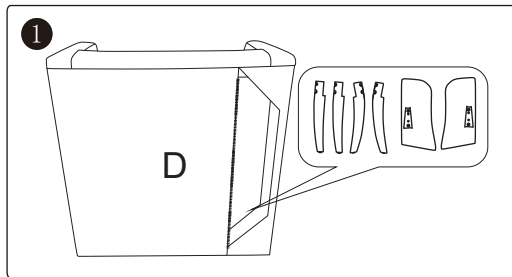
## User Guide



# Instruction

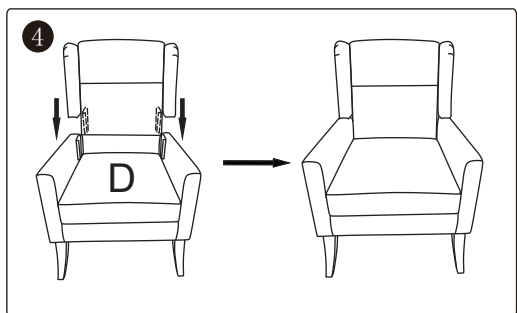
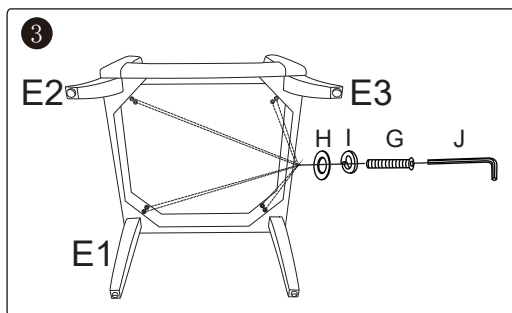
NO	DESCRIPTION		QTY	
A	Left Arm Wing		1	
B	Right Arm Wing		1	
C	Back Rest		1	
D	Seat Frame		1	
E1	Front Leg		2	
E2	Left Hind Leg		1	
E3	Right Hind Leg		1	
F	Seat Cushion		1	
G	Screw	$\Phi 5/16$ "* 2"L		8
H	Flat Washer	$\Phi 5/16$ "*22mm		8
I	Lock Washer	$\Phi 5/16$ "		8
J	Allen Wrench	$\Phi 5$ mm		1

# Installation Method



1 Open the zipper on the bottom frame of the seat board, take out the left and right arm wings and four wooden legs for backup

2 Insert the left arm wing A and the right arm wing B in the direction indicated by the arrows in the diagram, align them with the track, and insert them into the backrest C to ensure they are in place without shaking.



3 Put the seat frame down, align the two **front legs E1**, **left hind leg E2**, and **right hind leg E3** with the corresponding holes, insert them, and tighten them with screws.

4 Insert the backrest with installed arm wings in the direction indicated by the arrow in the diagram, align it with the track, and insert it into the seat frame with installed legs to ensure stability and no shaking. Finally, place the seat cushion, and the installation is complete.

## Attention please:

\*The front legs are different from the hind legs. The bending arc of the hind legs should be bigger than the front legs.

\*The hind legs are divided into left and right. If the left hind leg and right hind leg are not installed in the right position, the two hind legs will flare out to the left and right respectively.

# Make life better

Warm tips: We are proud of high-quality products and satisfactory service, but the goods may encounter special circumstances during transportation, if you receive the goods with missing or damaged parts, please take photos and contact our customer service before returning the goods , we will customize a solution that satisfies you, thank you.

## Note:

1. During the assembly of the two components, if there are multiple screws that need to be installed, you can first align all the screws with the hole position and manually turn a few turns to fix the position, and then tighten them all with a wrench.

2. The Flat Washer and Lock Washer must be installed to prevent the screw from loosening and damaging the connection part.