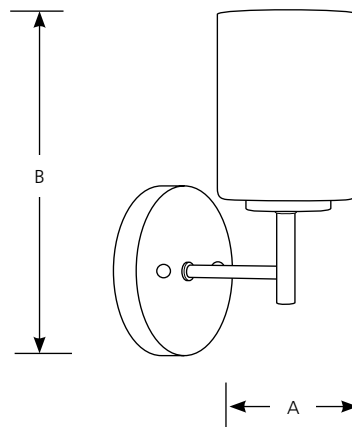
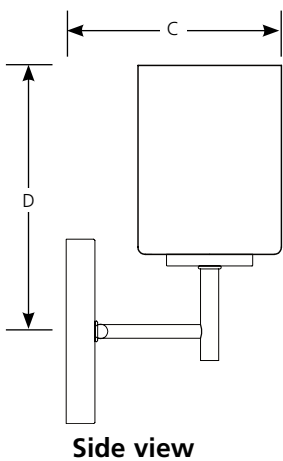


Type _____

Catalog No.	Finish		Lamping	Dimensions (Inches)			
	Black	Polished Nickel		A	B	C	D
			1 (m) 100w	5-1/8	9-3/4	6	7-1/4



Specifications:

General

- Etched Painted White Inside glass shade
- Painted Black finish
- Plated Polished Nickel finish
- Steel construction
- Companion Chandelier, Close-to-ceiling, Hall and Foyer, Pendant, fixtures are available

Electrical

- A19 base ceramic socket
- 6" of wire supplied
- Pre-wired

Labeling

- UL-CUL Damp location listed

Mounting

- Wall mount
- Back plate covers a standard 4" hexagonal recessed outlet box
- Mounting strap for outlet box included
- Mounts in "up" or "down" position
- Threaded socket ring secures glass