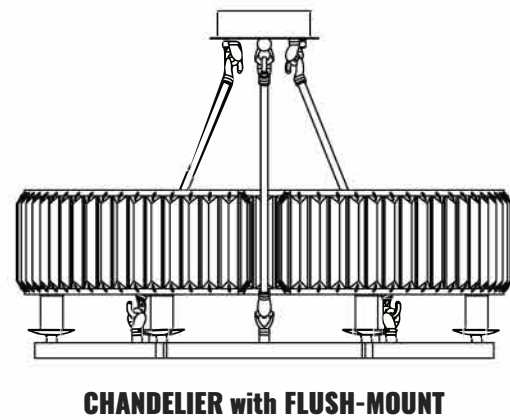
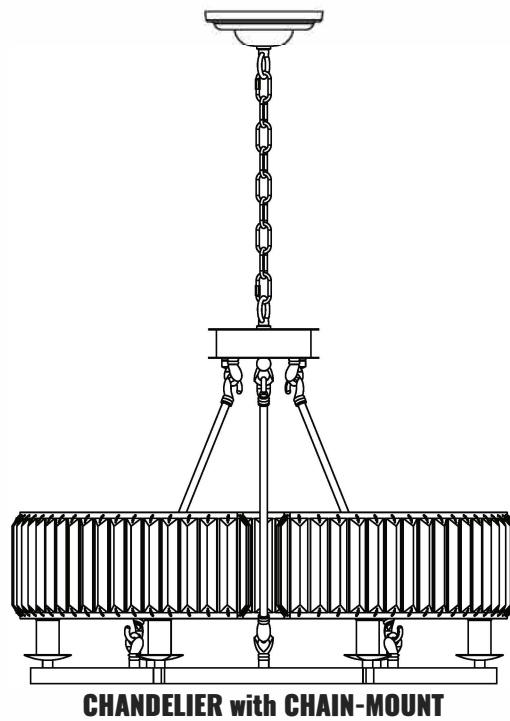


INSTALLATION MANUAL

CHANDELIER



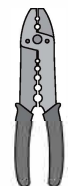
TOOLS REQUIRED



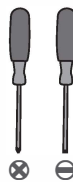
Ladder



Pliers

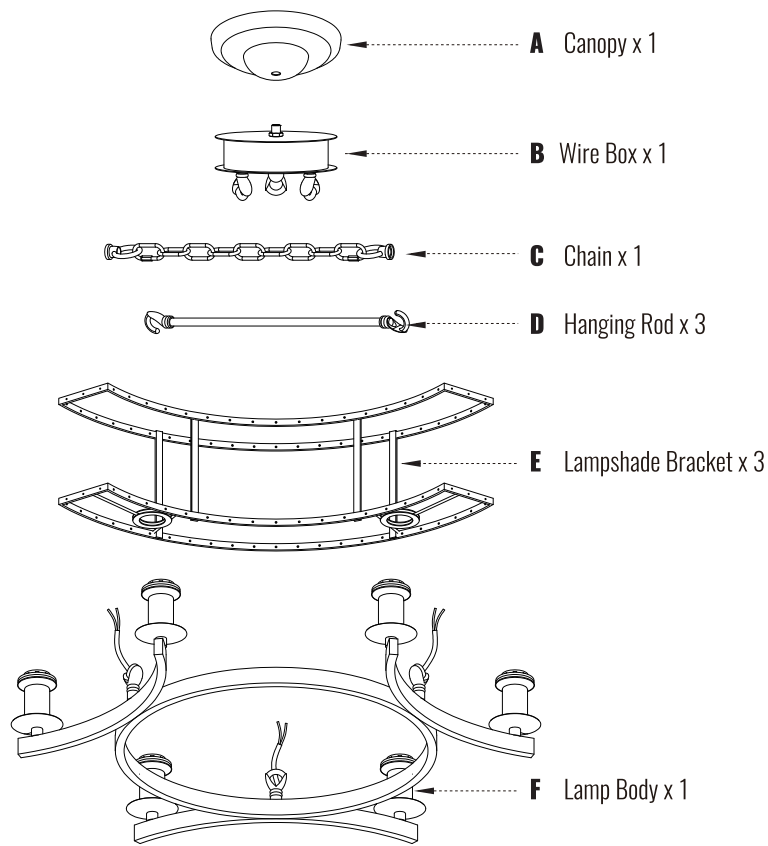


Wire
Strippers

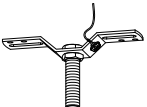
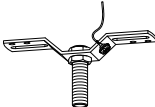
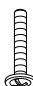










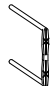




Screwdrivers

PACKING LIST



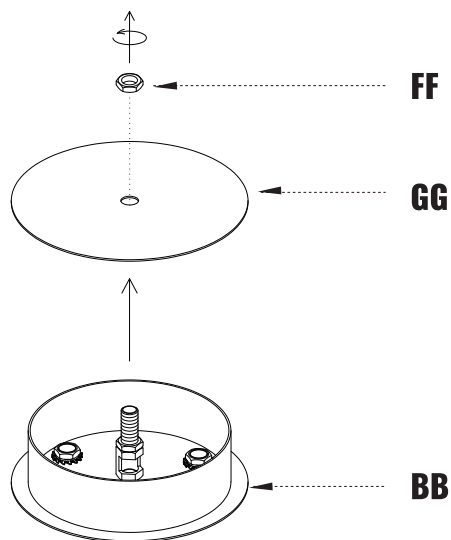
INSTALLATION KIT

AA  Bracket AA (with long nipple)	1×	BB  Bracket BB (with short nipple)	1×	CC  Outlet Box Screw	2×	DD  Small Wire Nut	3×
EE  Large Wire Nut	2×	FF  Hex Nut	1×	GG  Cover	1×	HH  Iron ball	1×
II  Short Supply Wire	1×	JJ  Long Supply Wire	1×	KK  Figure-Eight Buckle	1×	LL  Fixture Loop	1×
MM  Rectangle Crystal	149×	NN  Staple Clip	300×	OO  Fix Ring	6×	PP  Gloves	1×

- NOTE:**
1. Rectangle crystal (MM) and butterfly clip (NN) have some extra pieces for back-up.
 2. Hex nut (FF), cover (GG), iron ball (HH) have been pre-installed on wire box (B), fixture loop (LL) has been pre-installed on chain (C), fix ring (OO) has been pre-installed on lamp body (F).
 3. Bracket (BB) with short nipple and short supply wire (II) are used for flush-mounting without the chain.

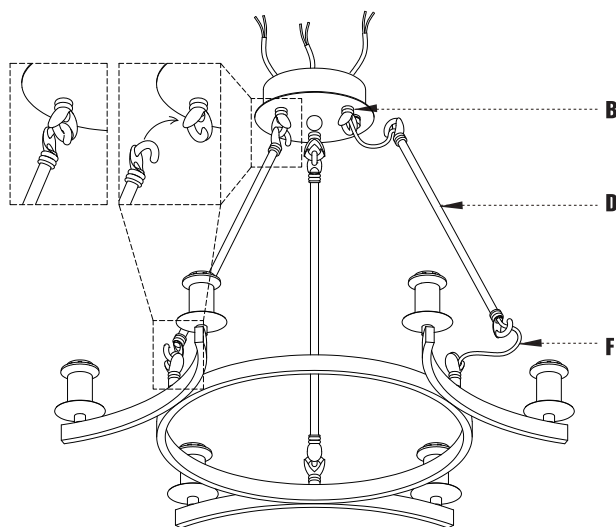
INSTALLATION (FOR CHAIN-MOUNT)

1. Remove Cover (GG)



Release hex nut (FF) and remove cover (GG).

2. Install Hanging Rod (D)



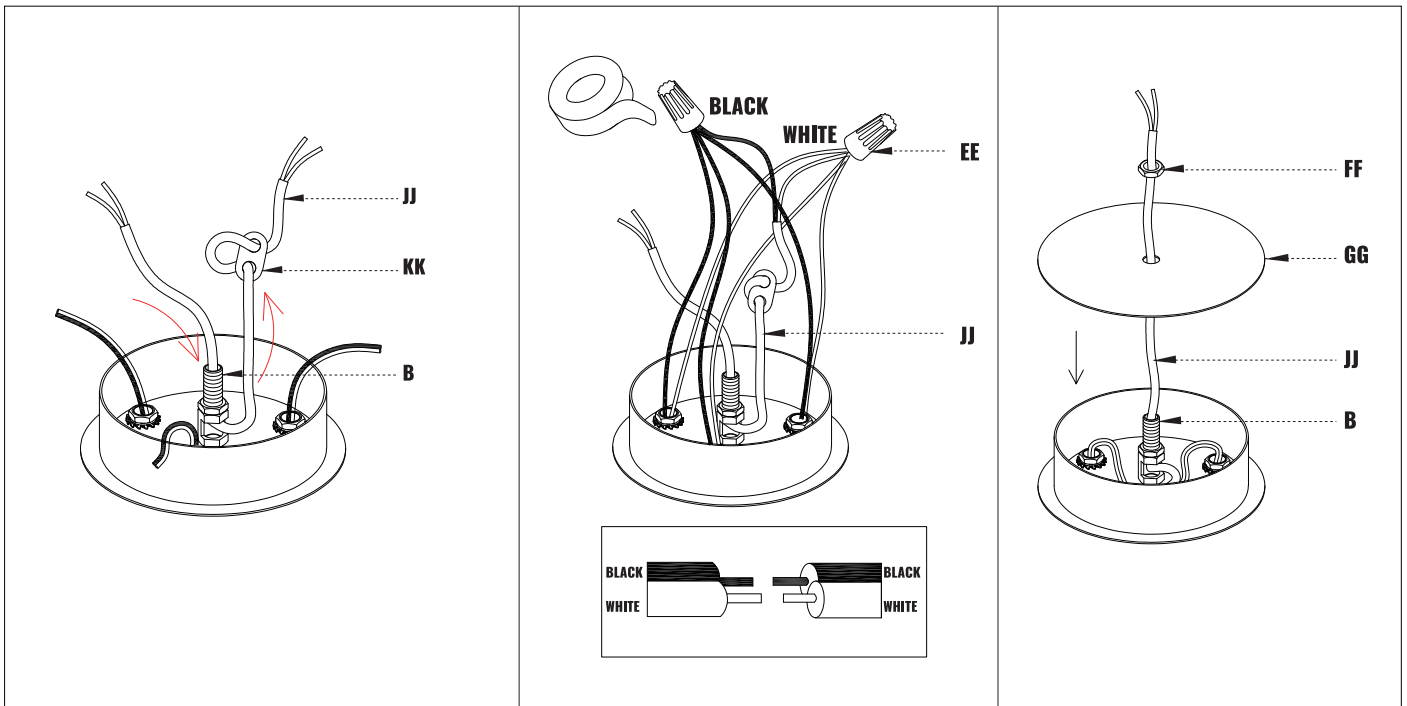
STEP 1: Pass the wires of lamp body (F) through hanging rod (D) and wire box (B).

STEP 2: Attach the hooks at the ends of hanging rod (D) to lamp body (F) and wire box (B).

NOTE:

Don't make the wires too tight.

3. Connect the Wires

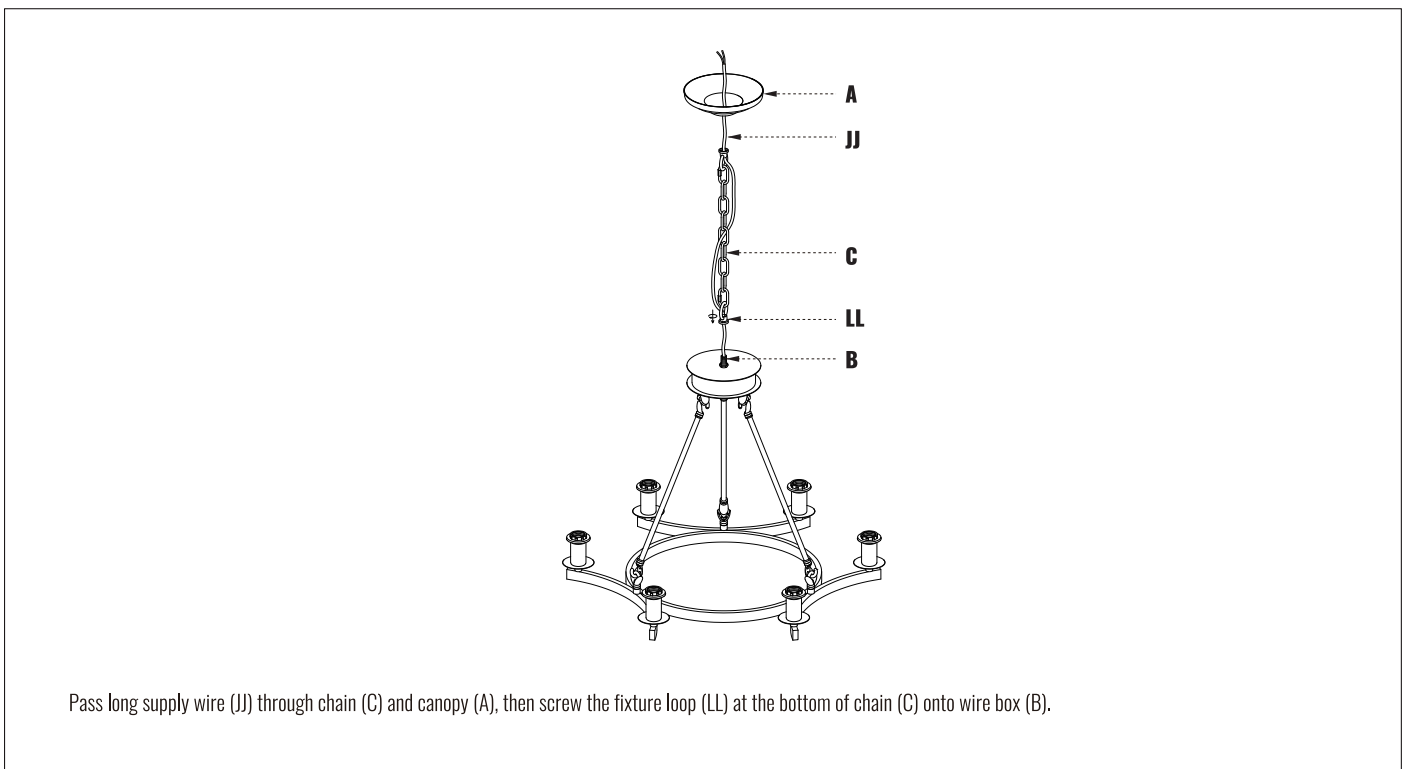


STEP 1: Thread the long supply wire (JJ) through the connector and out through the figure-eight buckle (KK).

STEP 2: Connect the fixture's wires with the long supply wire (JJ), then use a large wire nut (EE) to connect the hot wire (black) and the neutral wire (white) separately, and finally wrap the connections with electrical tape.

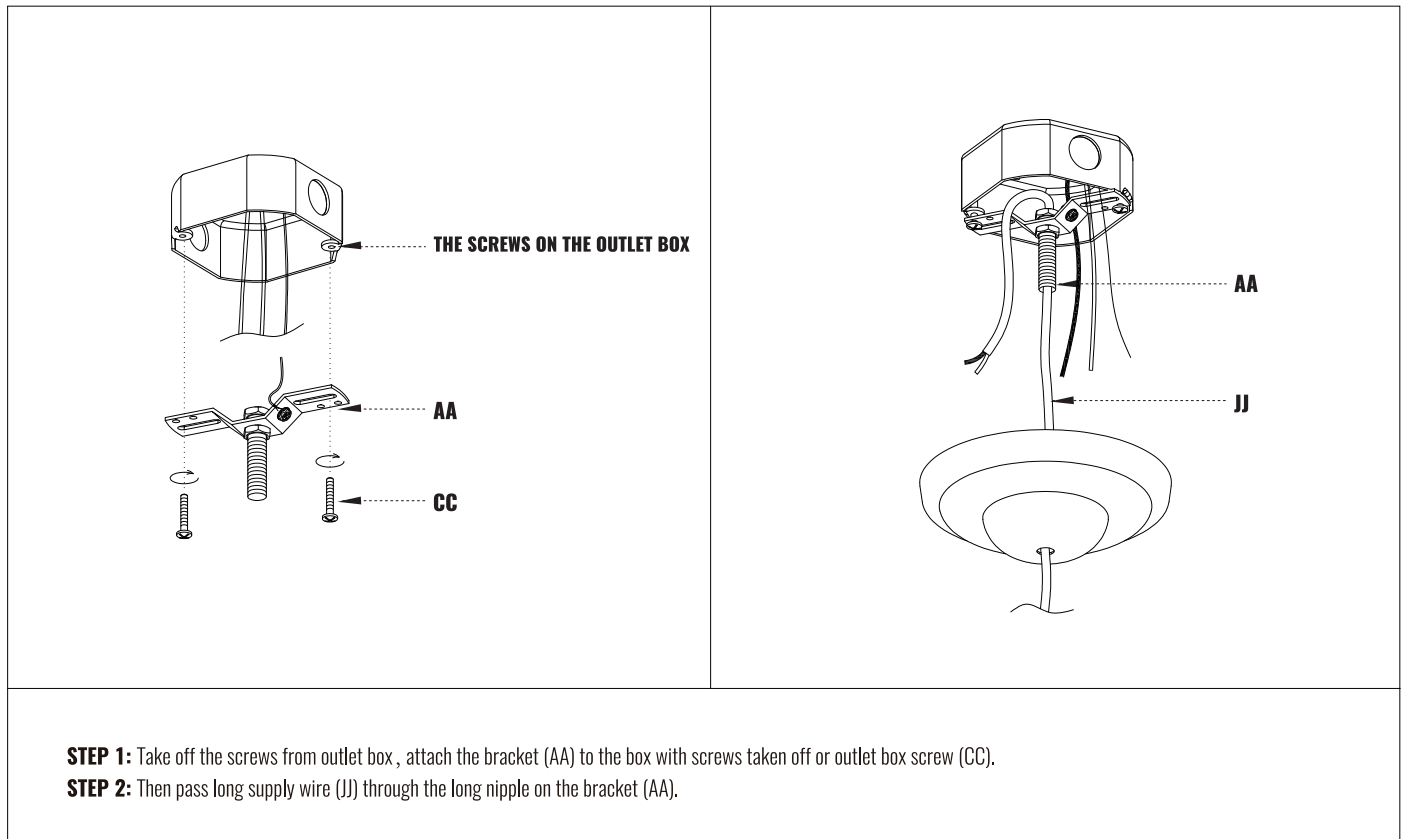
STEP 3: Thread long supply wire (JJ) through cover (GG) and hex nut (FF), then tighten hex nut (FF) to wire box (B).

4. Install Chain (C)

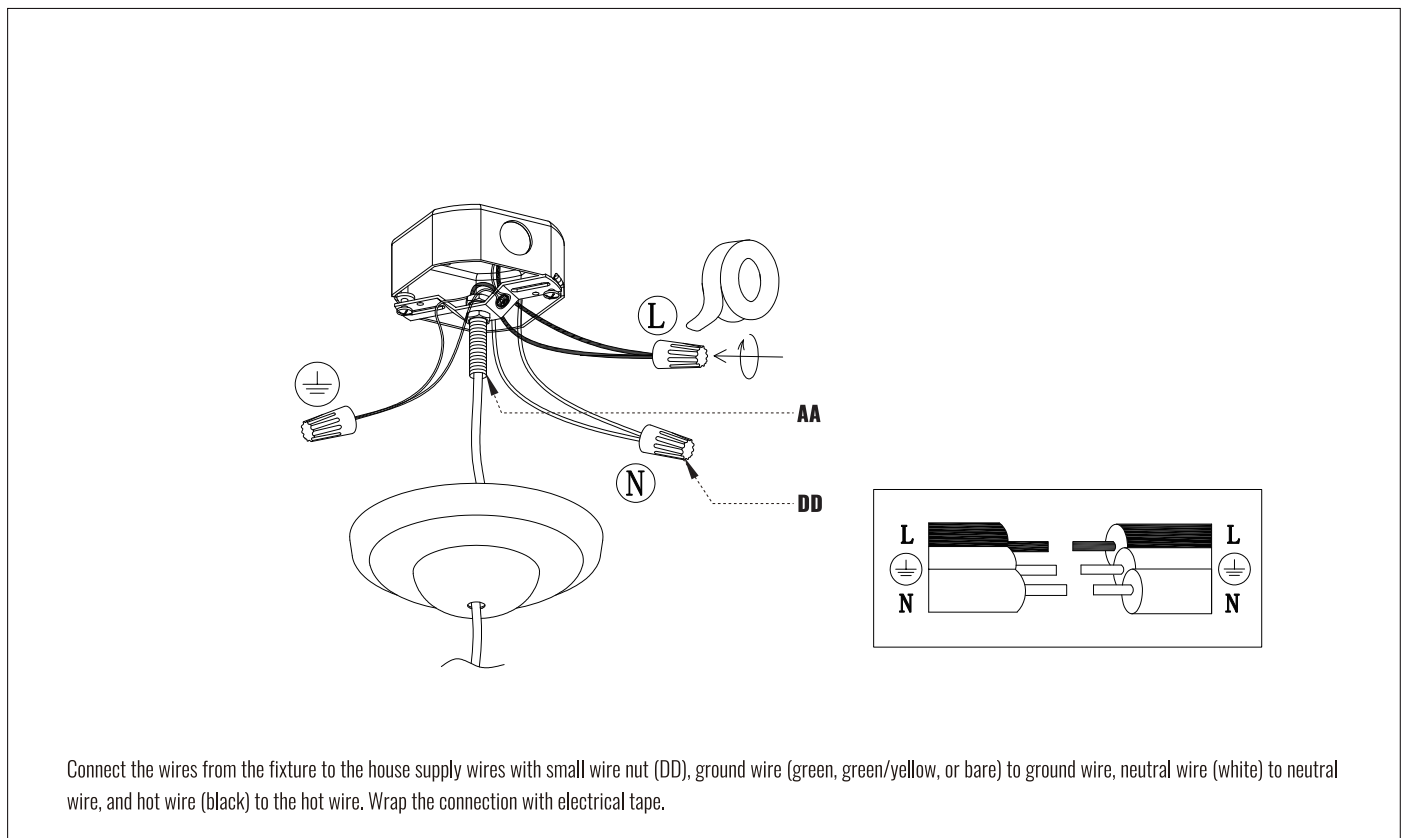


Pass long supply wire (JJ) through chain (C) and canopy (A), then screw the fixture loop (LL) at the bottom of chain (C) onto wire box (B).

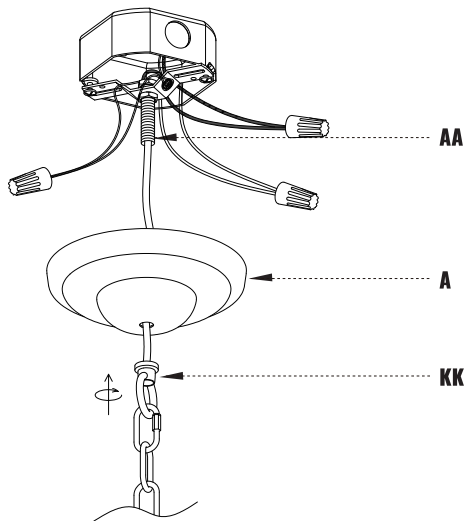
5. Install Mounting Bracket



6. Connect the Power Wires and Ground Wire



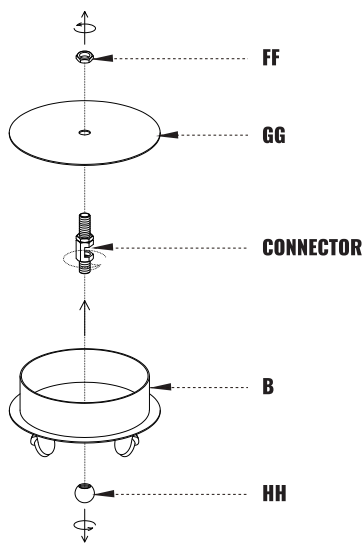
7. Fix the Canopy



Pass the canopy (A) through the bracket (AA) and lock it with the fixture loop (LL).

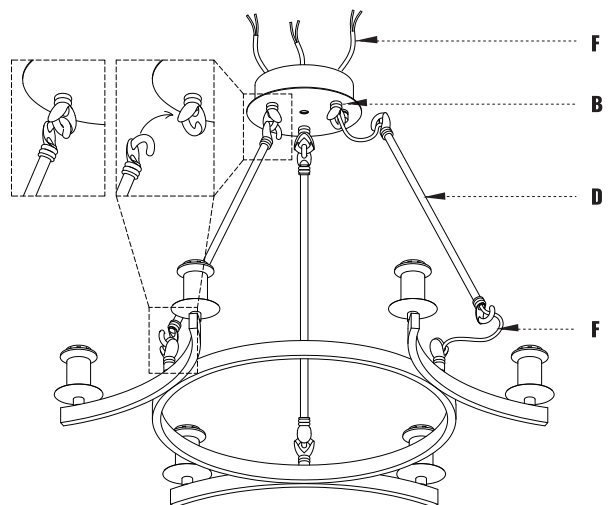
INSTALLATION (FOR FLUSH-MOUNT)

1. Remove Cover (GG)



Release hex nut (FF) and remove cover (GG) and the connector in wire box (B), retain iron ball (HH) for use.

2. Install Hanging Rod (D)



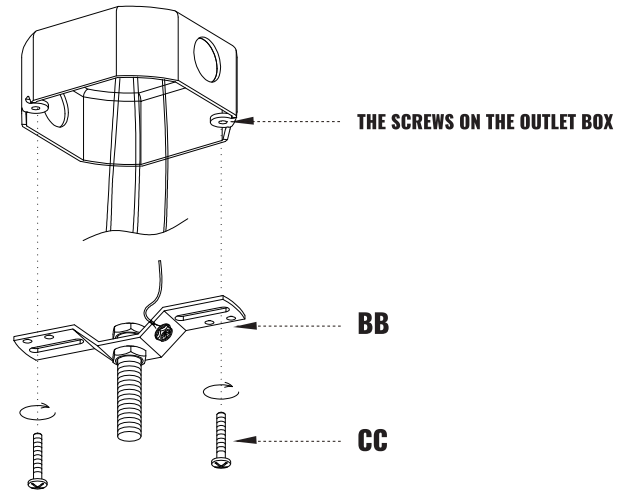
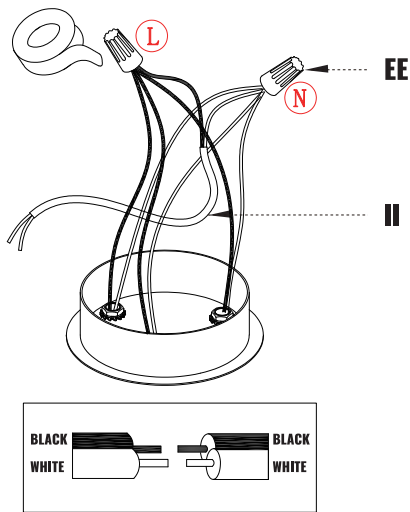
STEP 1: Pass the wires of lamp body (F) through hanging rod (D) and wire box (B).

STEP 2: Attach the hooks at the ends of hanging rod (D) to lamp body (F) and wire box (B).

NOTE:

Don't make the wires too tight.

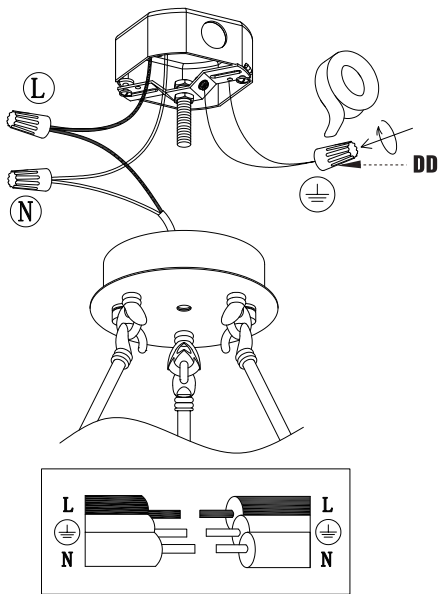
3. Connect the Wires



STEP 1: Connect the fixture's wires with the short supply wire (II), then use a large wire nut (EE) to connect the hot wire (black) and the neutral wire (white) separately, and finally wrap the connections with electrical tape.

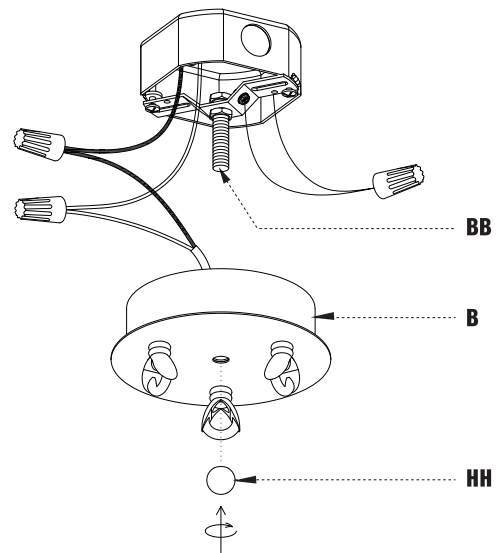
Step 2: Screw the outlet box screw (CC) through the holes in the bracket (BB) into the ceiling box.

4. Connect the Power Wires and Ground Wire



Connect the wires from the fixture to the house supply wires with small wire nut (DD), ground wire (green, green/yellow, or bare) to ground wire, neutral wire (white) to neutral wire, and hot wire (black) to the hot wire. Wrap the connection with electrical tape.

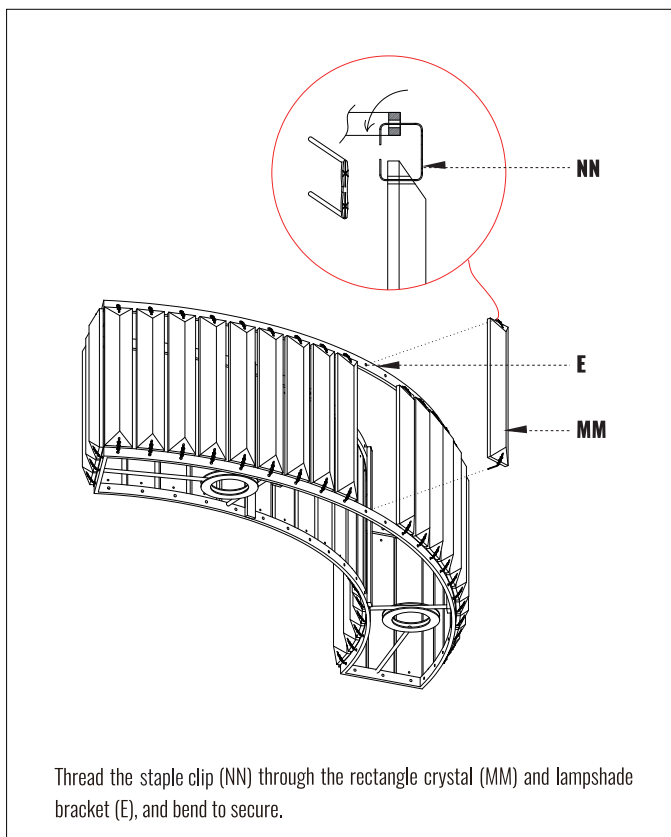
5. Fix the Canopy



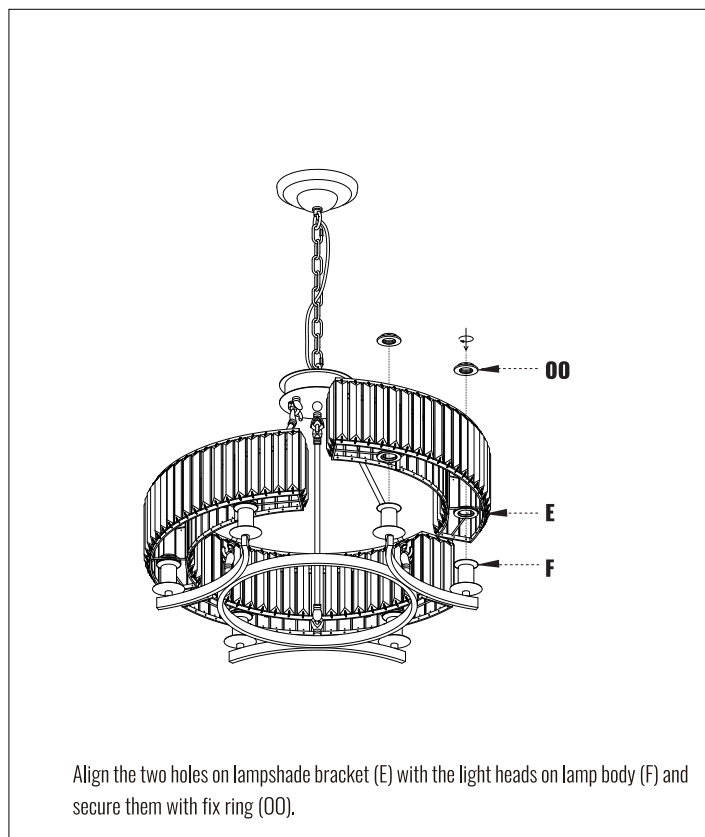
Pass the wire box (B) through the bracket (BB) and lock it with the iron ball (HH).

CRYSTAL PIECES INSTALLATION

1. Install Rectangle Crystal (MM)



2. Install Light Head



3. Install Bulb

