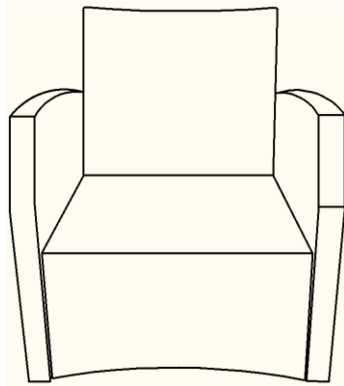


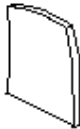


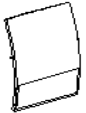
Assembly Instructions

Caution : You must read this before you proceed




Single Chair



Parts List

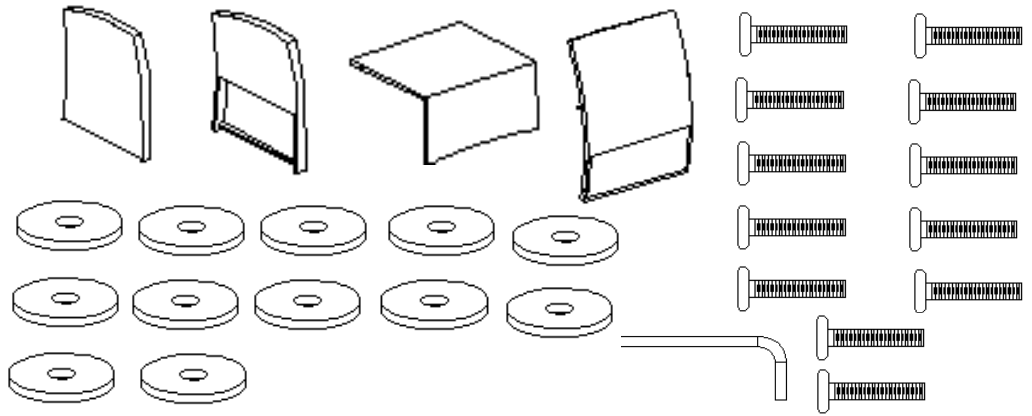
Label	Picture	Description	QTY
A		Left Armrest	1
B		Right Armrest	1
C		Sofa Seat	1
D		Sofa Back	1

Hardware

Label	Picture	Description	QTY
E		Bolt M6*40mm	12
F		washer rings	12
G		Allen Key	1

Assembly Preparation

Before Beginning Assembly:



- Read instructions, cover to cover-



- Have 2 adults on hand for assembly-



- Do not assemble on flooring or carpet-



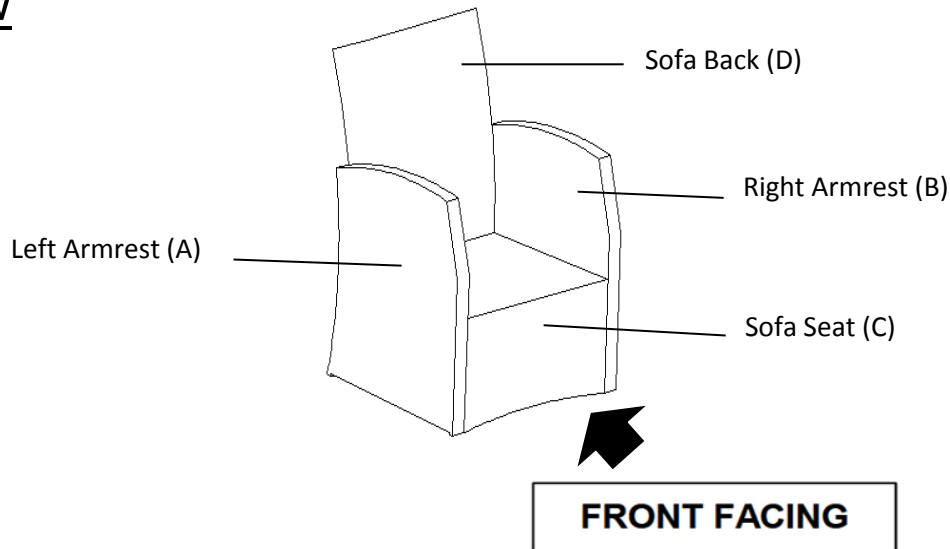
- Assemble on a clean non-marring surface (packing foam)-



- Save all packaging until finished-

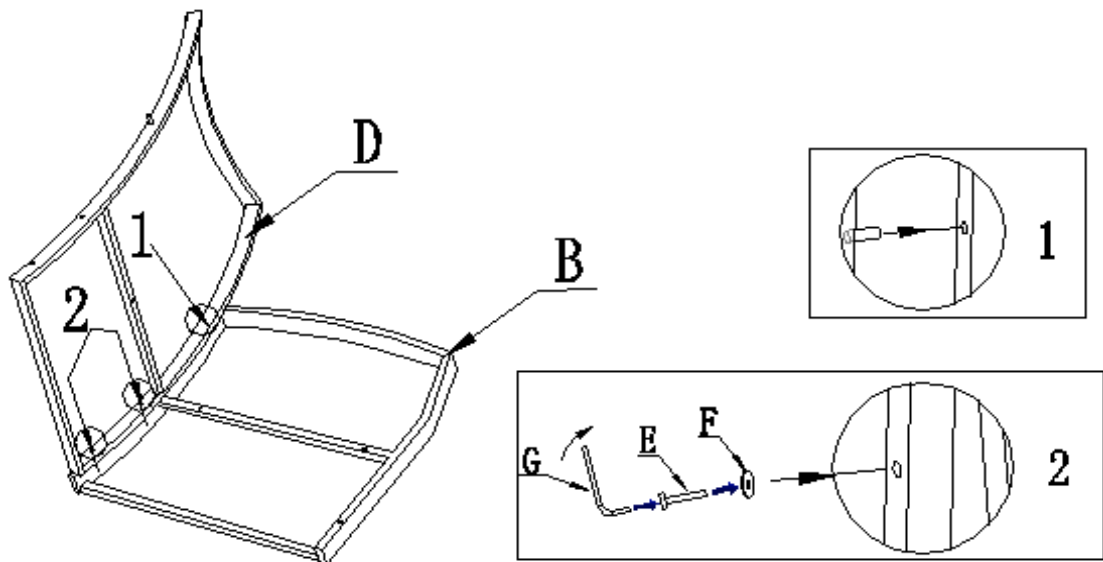
Assembly Steps

Overview



This Sofa has multiple parts and may require up to some 30 minutes to assemble. To give you an overview of the Sofa parts, the above picture is to help you put the various parts into perspective. Please read through the instructions here below to familiarise yourself with the parts and steps before assembly.

Step 1



Open the carton and place all the parts onto a clean and soft surface.

Unpack all packages of hardware.

Place the Backrest(D) to Right Armrest(B),make the metal rod on the Backrest(D) insert into the mounting position :Position#1 .

Attach Backrest(D) and Right Armrest(B) together with hardware at :Positions#2 .

Use an Allen Key(G) to partially tighten these.

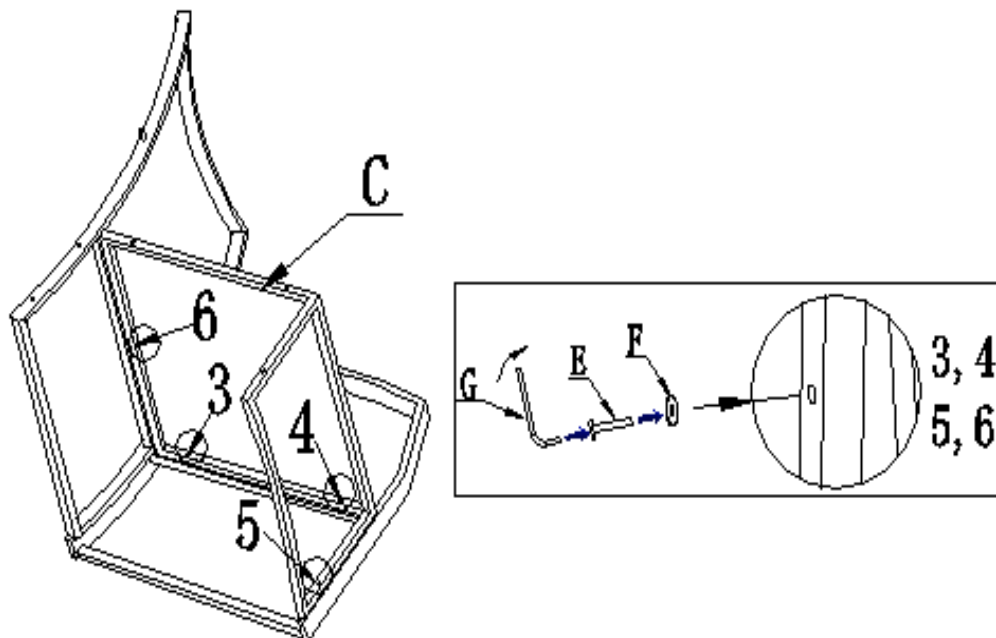
DO NOT FULLY TIGHTEN THE BOLTS.

ATTENTION: There may be some PE wicker that may have covered the bolt points.

To ease assembly, guide and slide the PE wicker away from the mounting positions.

DO NOT CUT AWAY any PE WICKER as this would cause the wicker to unravel !

Step 2

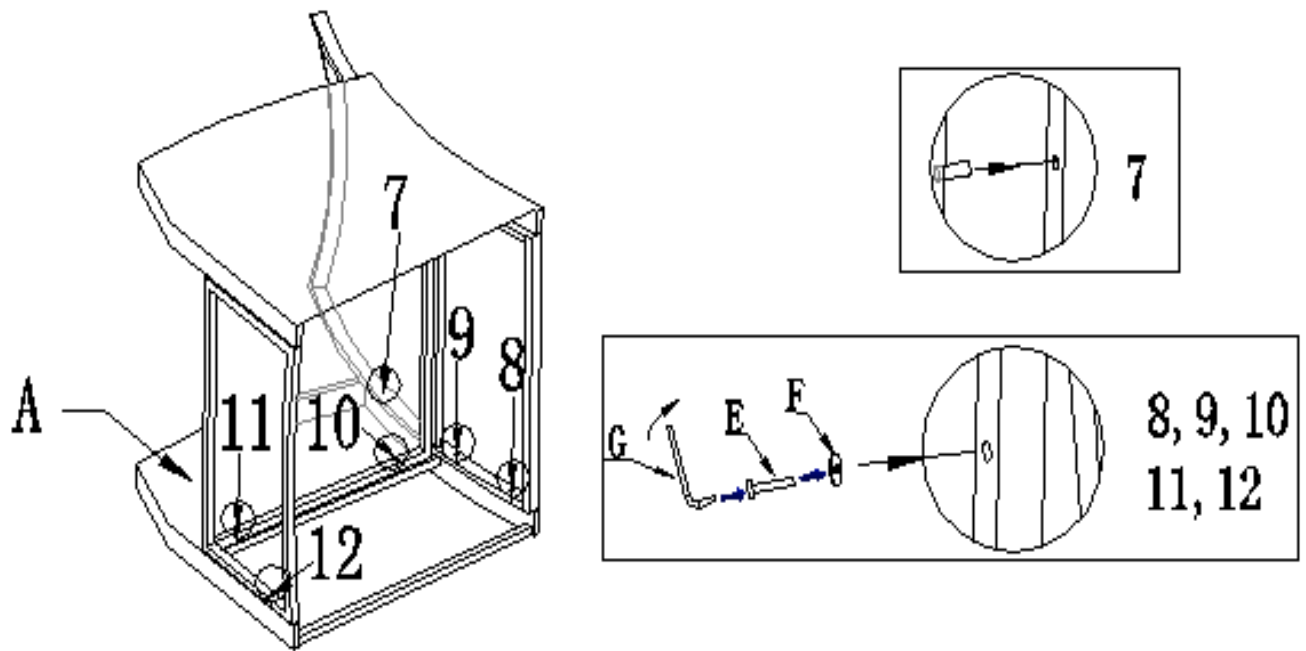


Attach Seat (C) between the Right Armrest(B) and Backrest(D) using hardware to fix the position by turn (3,4,5...6),shows as the picture above.

Use an Allen Key(G) to partially tighten these.

DO NOT FULLY TIGHTEN THE BOLTS.

Step 3

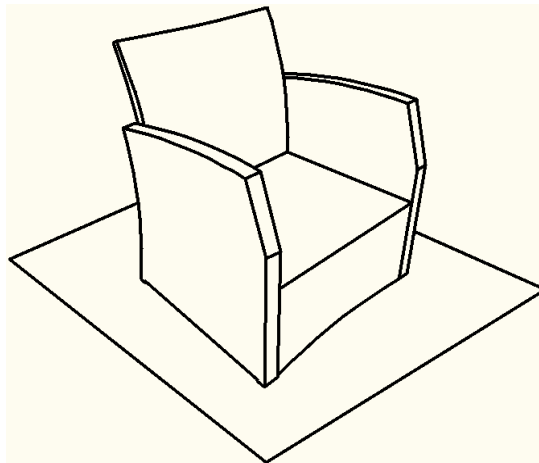


Repeat Step 1 & Step 2 to fix up Left Armrest (A) by turn show as the picture from position #8 to position #12 with hardware.

Use an Allen Key (G) to partially tighten these.

Tighten all Bolts completely.

Step 4



Turn the Single Chair right side up.

Place the Single Chair on a LEVEL SURFACE.

Inspect it and make sure all parts are adequately connected.

Gently and gracefully, sit into to the Sing Chair.

This would help to align all the parts at all the joint areas.

Then get off the Single Chair, and in a sequential manner, proceed to tighten all bolts.

When tightening the Bolts, tighten sequentially.

DO NOT tighten any Bolt fully and then move on to the next one.

This may cause the frame to warp.





















If there is still wobbles, loosen the bolts and execute this same process.

If the Single Chair is not stable it could lead to damage to the product.

Now your Chair is ready for use.

The Chair can only be used on a flat & level surface.

Care & Maintenance

-   ● Do not put hot items directly on furniture surface
 -   ● Do not clean furniture with harsh cleansers or polish.
 -   ● To obtain the longest lifespan of your outdoor products, minimizing exposure to direct sunlight is recommended.
 -   ● Children should not climb or jump on the furniture.
 -   ● Do not write on furniture without a padded barrier to protect the surface.
 -   ● To obtain the longest lifespan of your outdoor products, avoid extended and lengthy exposure to rain, snow, and direct sunshine. Whenever possible cover the product and /or place under patio or awnings.
 -   ● Not for commercial use. For residential use only .
 -   ● Stains may be removed with mild soap solution and damp cloth.
 -   ● Keep away from sources of ignition.
-
-   ● Dust and pick-up spills using a clean, non-colored, lint-free cloth.

What is Proposition 65?

Proposition 65 is a California law that requires warning labels on products that may contain one of more than 800-plus chemicals or ingredients that the California Office of Environmental Health Hazard Assessment (OEHHA) has deemed to cause cancer or other reproductive toxicity.

Chemicals and elements on this list include wood dust, brass, and other everyday substances, which can be found in very common household items, such as: lamps, tableware, jewelry, crystal glasses, electric cords, beauty products, automobiles, and furniture.

Why Did I Find a Proposition 65 Warning on My Home Goods Product?

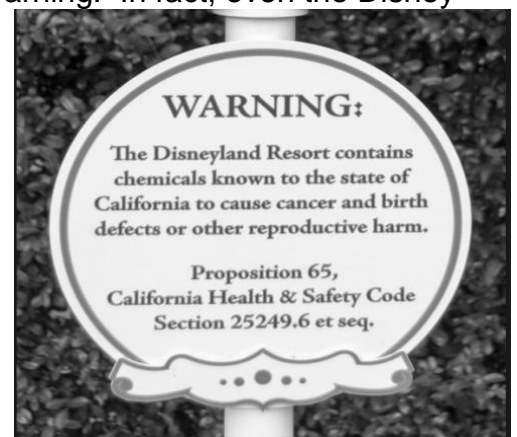
We include Proposition 65 warnings on all of our products because there is always a chance that one of the 800-plus common chemicals and ingredients listed under this law could potentially be on our furniture or packing materials. We risk large fines under this law, if we don't include this warning.

Should I worry?

We realize you may be worried finding this warning on our products, but we want to reassure you that the hazardous exposure limits for any of these chemicals have never been found on furniture products that we've shipped to our customers. Additionally, this warning label is very common and can be found on almost every piece of furniture sold in the state of California.

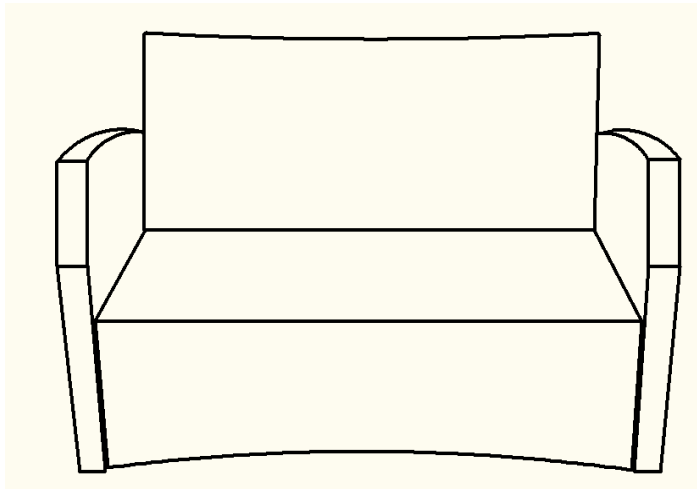
Just How Common Are Proposition 65 Warnings?

Proposition 65 warnings have become so common in California that it is hard to take a trip to a local bank, grocery store, or restaurant without finding at least one warning. In fact, even the Disney Land Resort has a Proposition 65 warning:

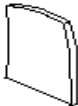

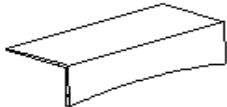
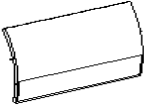


Assembly Instructions




Love Seat



Parts List

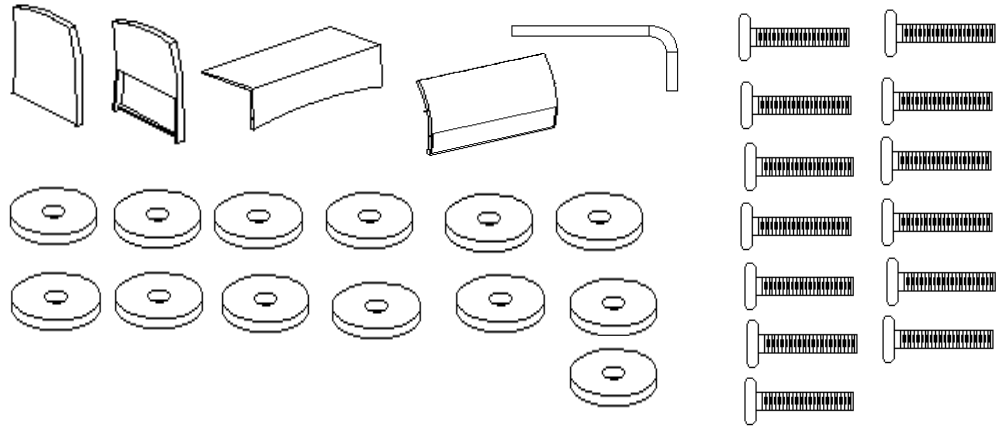
Label	Picture	Description	QTY
A		Left Armrest	1
B		Right Armrest	1
C		Sofa Seat	1
D		Sofa Back	1

Hardware

Label	Picture	Description	QTY
E		Bolt M6*40mm	13
F		washer rings	13
G		Allen Key	1

Assembly Preparation

Before Beginning Assembly:



- Read instructions, cover to cover-



- Have 2 adults on hand for assembly-



- Do not assemble on flooring or carpet-



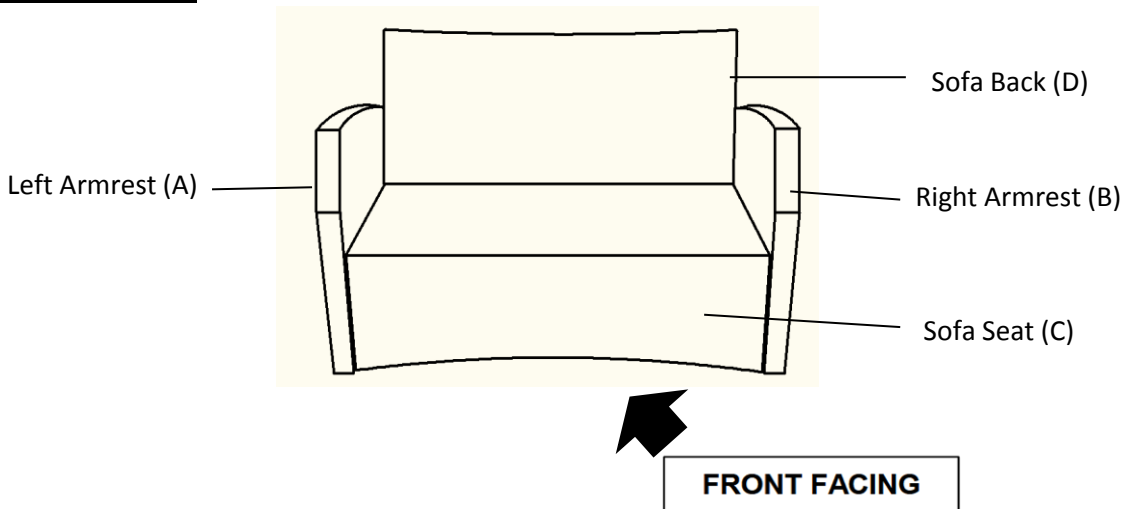
- Assemble on a clean non-marring surface (packing foam)-



- Save all packaging until finished-

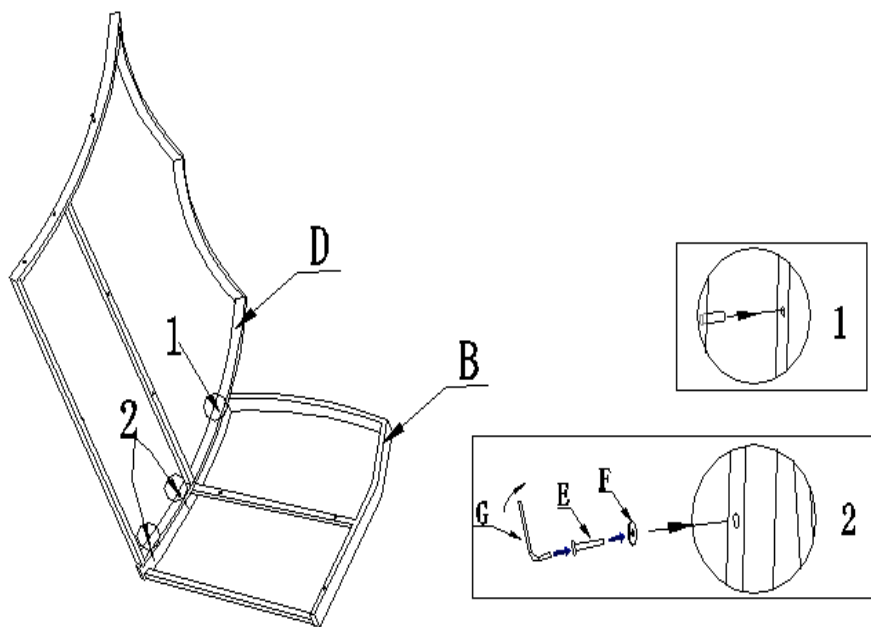
Assembly Steps

Overview



This Love Seat has multiple parts and may require up to some 30 minutes to assemble. To give you an overview of the Love Seat parts, the above picture is to help you put the various parts into perspective. Please read through the instructions here below to familiarise yourself with the parts and steps before assembly.

Step 1



Open the carton and place all the parts onto a clean and soft surface.

Unpack all packages of hardware.

Place the Backrest(D) to Right Armrest(B),make the metal rod on the Backrest(D) insert into the mounting position : Position#1 .

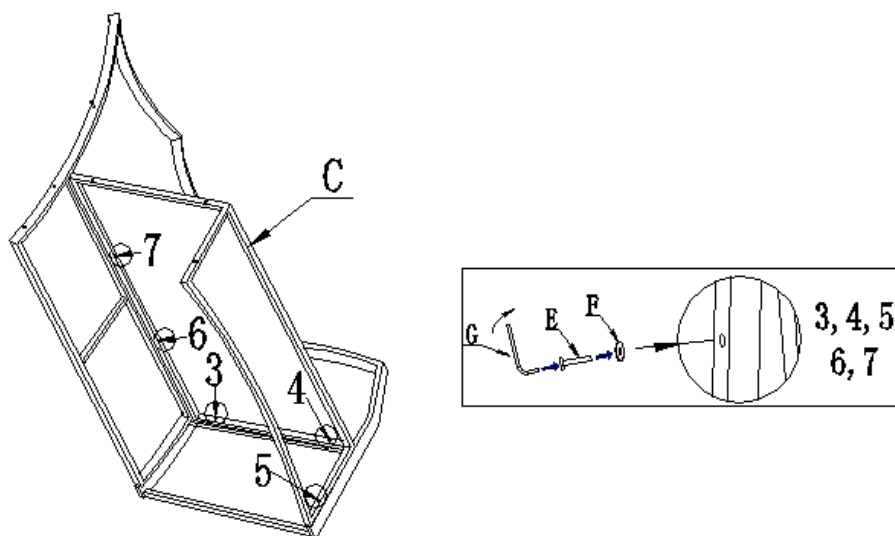
Attach Backrest(D) and Right Armrest(B) together with hardware at : Positions#2 .

Use an Allen Key(G) to partially tighten these.

DO NOT FULLY TIGHTEN THE BOLTS.

ATTENTION: There may be some PE wicker that may have covered the bolt points. To ease assembly, guide and slide the PE wicker away from the mounting positions. DO NOT CUT AWAY any PE WICKER as this would cause the wicker to unravel !

Step 2

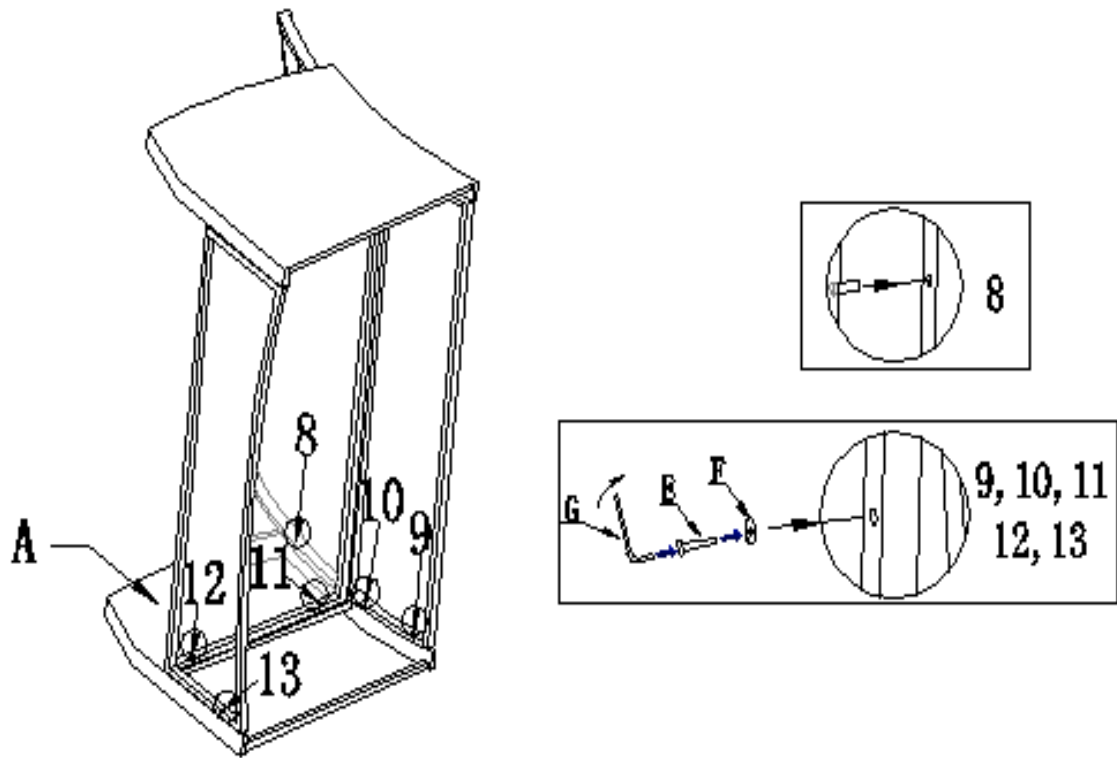


Attach Seat (C) between the Right Armrest(B) and Backrest(D) using hardware to fix the position by turn (3,4,5...7),shows as the picture above

Use an Allen Key(G) to partially tighten these.

DO NOT FULLY TIGHTEN THE BOLTS.

Step 3

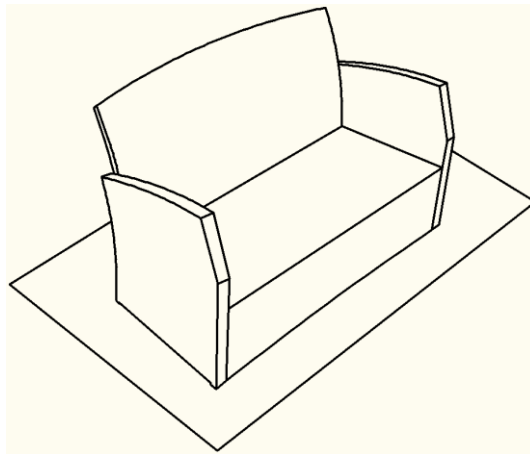


Repeat Step 1 & Step 2 to fix up Left Armrest (A) by turn show as the picture from position #9 to position #13 with hardware.

Use an Allen Key (G) to partially tighten these.

Tighten all Bolts completely.

Step 4



Turn the Loveseat right side up.

Place the Loveseat on a **LEVEL SURFACE**.

Inspect it and make sure all parts are adequately connected.

Gently and gracefully, sit into to the Loveseat.

This would help to align all the parts at all the joint areas.

Then get off the Loveseat, and in a sequential manner, proceed to tighten all bolts.

When tightening the Bolts, tighten sequentially.

DO NOT tighten any Bolt fully and then move on to the next one.

This may cause the frame to warp.





















If there is still wobbles, loosen the bolts and execute this same process.

If the Loveseat is not stable it could lead to damage to the product.

Now your Love Seat is ready for use.

The Love Seat can only be used on a flat and level surface.

Care & Maintenance

-   ● Do not put hot items directly on furniture surface
 -   ● Do not clean furniture with harsh cleansers or polish.
 -   ● To obtain the longest lifespan of your outdoor products, minimizing exposure to direct sunlight is recommended.
 -   ● Children should not climb or jump on the furniture.
 -   ● Do not write on furniture without a padded barrier to protect the surface.
 -   ● To obtain the longest lifespan of your outdoor products, avoid extended and lengthy exposure to rain, snow, and direct sunshine. Whenever possible cover the product and /or place under patio or awnings.
 -   ● Not for commercial use. For residential use only .
 -   ● Stains may be removed with mild soap solution and damp cloth.
 -   ● Keep away from sources of ignition.
-
-   ● Dust and pick-up spills using a clean, non-colored, lint-free cloth.

What is Proposition 65?

Proposition 65 is a California law that requires warning labels on products that may contain one of more than 800-plus chemicals or ingredients that the California Office of Environmental Health Hazard Assessment (OEHHA) has deemed to cause cancer or other reproductive toxicity. Chemicals and elements on this list include wood dust, brass, and other everyday substances, which can be found in very common household items, such as: lamps, tableware, jewelry, crystal glasses, electric cords, beauty products, automobiles, and furniture.

Why Did I Find a Proposition 65 Warning on My Home Goods Product?

We include Proposition 65 warnings on all of our products because there is always a chance that one of the 800-plus common chemicals and ingredients listed under this law could potentially be on our furniture or packing materials. We risk large fines under this law, if we don't include this warning.

Should I worry?

We realize you may be worried finding this warning on our products, but we want to reassure you that the hazardous exposure limits for any of these chemicals have never been found on furniture products that we've shipped to our customers. Additionally, this warning label is very common and can be found on almost every piece of furniture sold in the state of California.

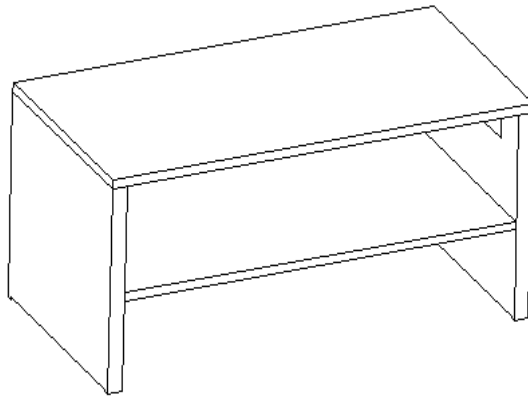
Just How Common Are Proposition 65 Warnings?

Proposition 65 warnings have become so common in California that it is hard to take a trip to a local bank, grocery store, or restaurant without finding at least one warning. In fact, even the Disney Land Resort has a Proposition 65 warning:



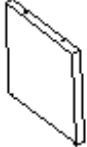
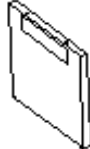



Assembly Instructions




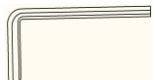
Table



Parts List

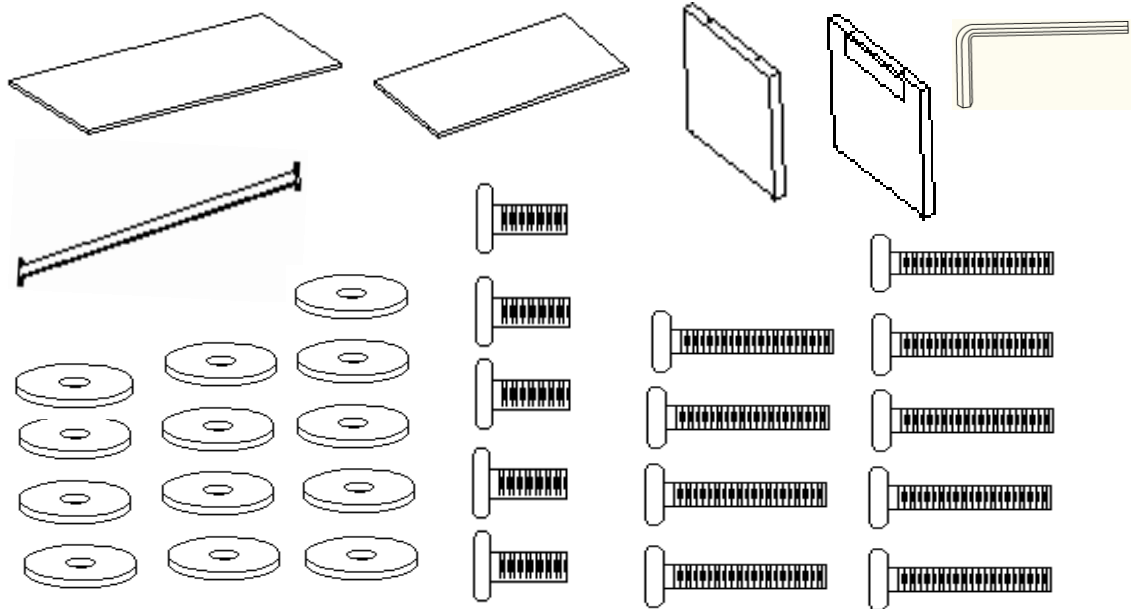
Label	Picture	Description	QTY
A		Table Top	1
B		Middle Shelf	1
C		Left leg	1
D		Right leg	1
E		Support Bar	1

Hardware

Label	Picture	Description	QTY
F		Bolt (M6*20)	5
G		Bolt (M6*35)	9
H		washer rings	13
J		Allen Key	1

Assembly Preparation

Before Beginning Assembly:



- Read instructions, cover to cover-



- Have 2 adults on hand for assembly-



- Do not assemble on flooring or carpet-



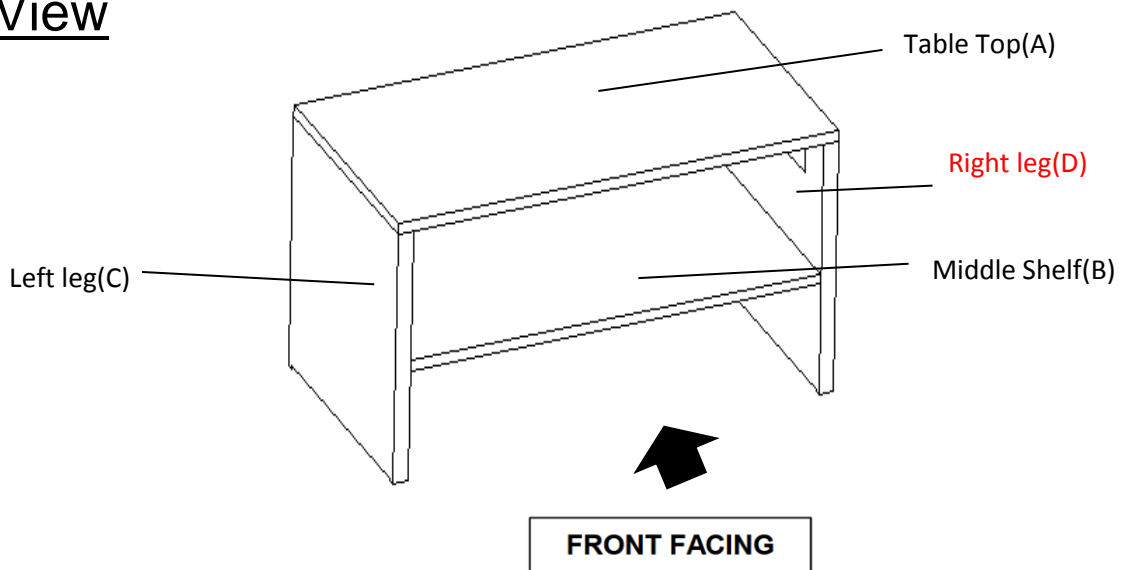
- Assemble on a clean non-marring surface (packing foam)-



- Save all packaging until finished-

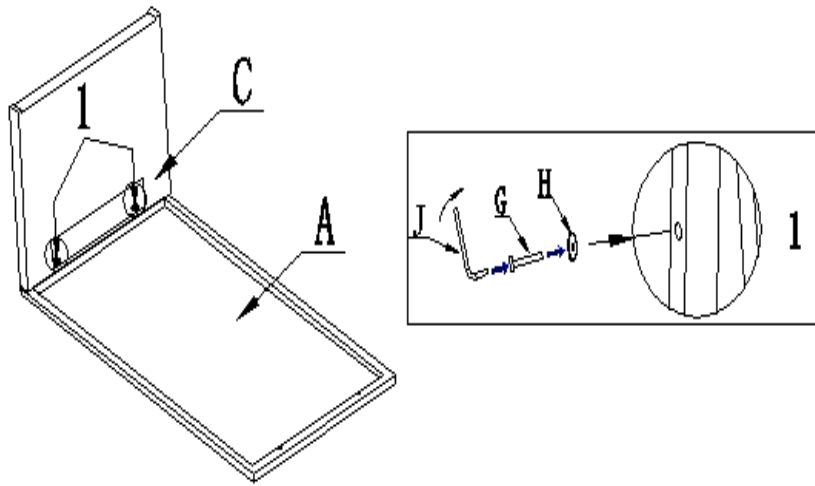
Assembly Steps

Over View



This Table has multiple parts and may require up to some 30 minutes to assemble. To give you an overview of the Table parts, the above picture is to help you put the various parts into perspective. Please read through the instructions here below to familiarise yourself with the parts and steps before assembly.

Step 1



Open the carton and place all the parts onto a clean and soft surface.

Unpack all packages of hardware.

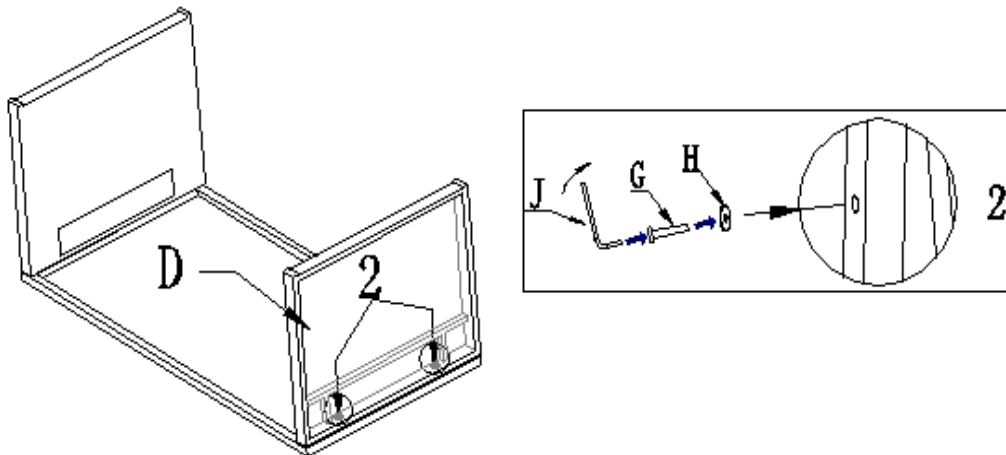
Place the Table top(A) with its inner side, facing skywards .

Put the Left leg(C) against the Table top(A), Attach Left leg(C) and Table top(A) together with hardware at position#1.

Use an Allen Key(J) to partially tighten these.

DO NOT FULLY TIGHTEN THE BOLTS.

Step 2

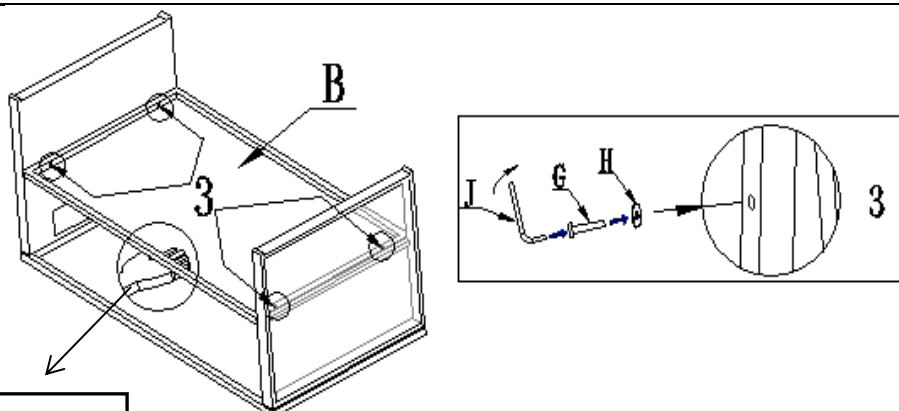


Put the Right leg(D) against the Table top(A), Attach Right leg(D) and Table top(A) together with hardware at position#2.

Use an Allen Key(J) to partially tighten these.

DO NOT FULLY TIGHTEN THE BOLTS.

Step 3



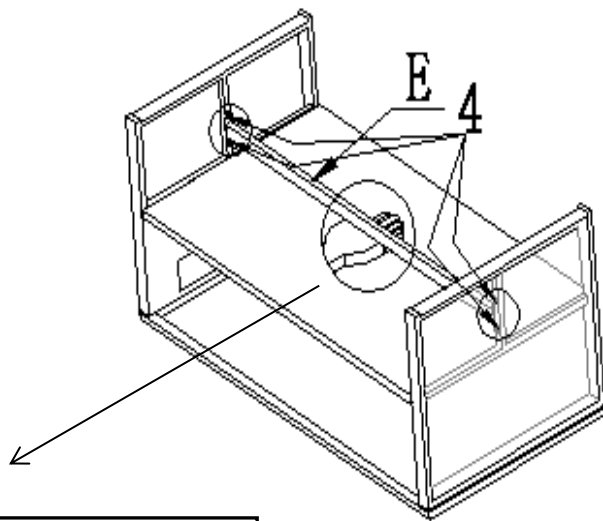
another hand to

Attach the Middle Shelf(B) between Left leg and Right Leg using the hardware to fix the position 3 show as the picture.

DO NOT FULLY TIGHTEN THE BOLTS.

Note: Better to fix this step by 2 person together.

Step 4



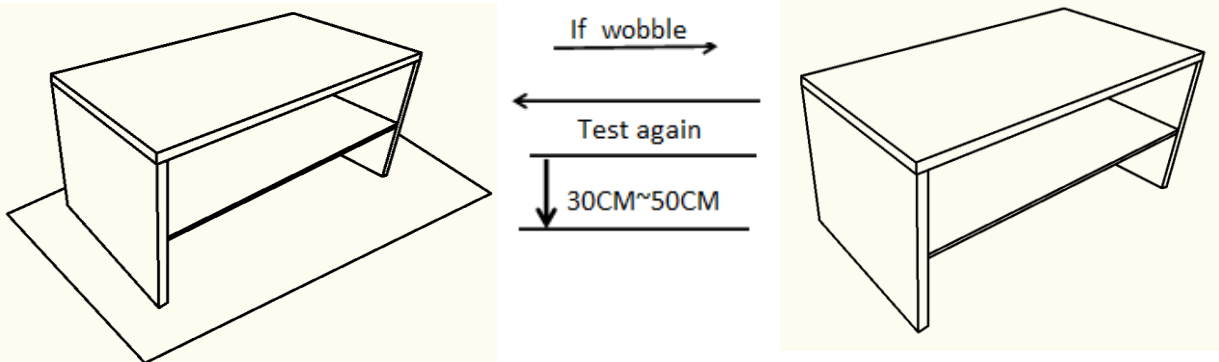
another hand to support

Attach Support Bar(E) between Left leg and Right Leg using the hardware to fix the position 4 show as the picture.

DO NOT FULLY TIGHTEN THE BOLTS.

Note: Better to fix this step by 2 person together.

Step 5



Place the table on a **LEVEL SURFACE** to check for wobbles.

If it wobbles lift the dining chair to some 30cm to 50cm height from the ground.

Keep your feet and toes well away from the drop zone.

Drop the dining chair freely and vertically with the four legs, hitting the ground, all at the same time.

This Drop Test will help to ensure that all the bolts and gaps to all reach full alignment status.

Test again for evenness on a **LEVEL SURFACE**.

If no wobbles found, slowly and steadily, turn the chair upside down.

Then, proceed to tighten all bolts in a sequential manner.

CAUTION : When tightening these bolts, tighten sequentially.

DO NOT tighten any screw fully and then towards the next one.

This would cause the frame to warp.





















If there is still wobbles, loosen the bolts and execute this same drop tests.

WARNING!! IF TABLE IS NOT STABLE , IT COULD LEAD TO DAMAGING THE PRODUCT.

Now your Table is ready for use.

The Table can only be used on a flat & level surface.

Care & Maintenance

-   ● Do not put hot items directly on furniture surface
 -   ● Do not clean furniture with harsh cleansers or polish.
 -   ● To obtain the longest lifespan of your outdoor products, minimizing exposure to direct sunlight is recommended.
 -   ● Children should not climb or jump on the furniture.
 -   ● Do not write on furniture without a padded barrier to protect the surface.
 -   ● To obtain the longest lifespan of your outdoor products, avoid extended and lengthy exposure to rain, snow, and direct sunshine. Whenever possible cover the product and /or place under patio or awnings.
 -   ● Not for commercial use. For residential use only .
 -   ● Stains may be removed with mild soap solution and damp cloth.
 -   ● Keep away from sources of ignition.
-
-   ● Dust and pick-up spills using a clean, non-colored, lint-free cloth.

What is Proposition 65?

Proposition 65 is a California law that requires warning labels on products that may contain one of more than 800-plus chemicals or ingredients that the California Office of Environmental Health Hazard Assessment (OEHHA) has deemed to cause cancer or other reproductive toxicity. Chemicals and elements on this list include wood dust, brass, and other everyday substances, which can be found in very common household items, such as: lamps, tableware, jewelry, crystal glasses, electric cords, beauty products, automobiles, and furniture.

Why Did I Find a Proposition 65 Warning on My Home Goods Product?

We include Proposition 65 warnings on all of our products because there is always a chance that one of the 800-plus common chemicals and ingredients listed under this law could potentially be on our furniture or packing materials. We risk large fines under this law, if we don't include this warning.

Should I worry?

We realize you may be worried finding this warning on our products, but we want to reassure you that the hazardous exposure limits for any of these chemicals have never been found on furniture products that we've shipped to our customers. Additionally, this warning label is very common and can be found on almost every piece of furniture sold in the state of California.

Just How Common Are Proposition 65 Warnings?

Proposition 65 warnings have become so common in California that it is hard to take a trip to a local bank, grocery store, or restaurant without finding at least one warning. In fact, even the Disney Land Resort has a Proposition 65 warning:

