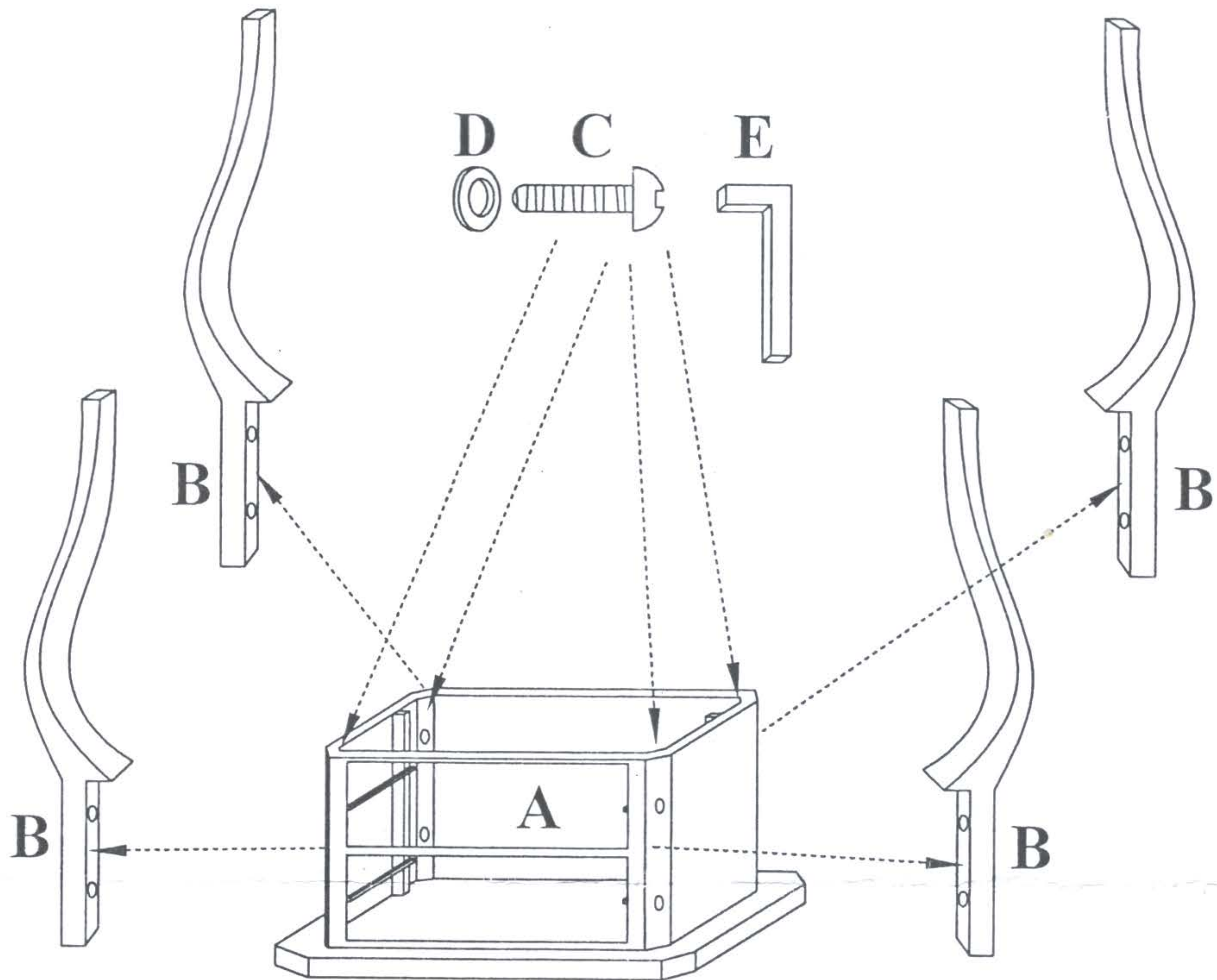


## Parts:

A	Main body	1 pc
B	Leg	4 pcs
C	Screw	8 pcs
D	Washer	8 pcs
E	Hex key	1 pc



### 1) FULLY PULL OUT 4 SMALL DRAWERS.

2) Place A upside down on soft surface and fix B, the 4 legs, individually by the C & D included in the packing. Before doing so, make sure the number on the leg B to match the number on A.

3) Set the desk upright, put drawers back.

