


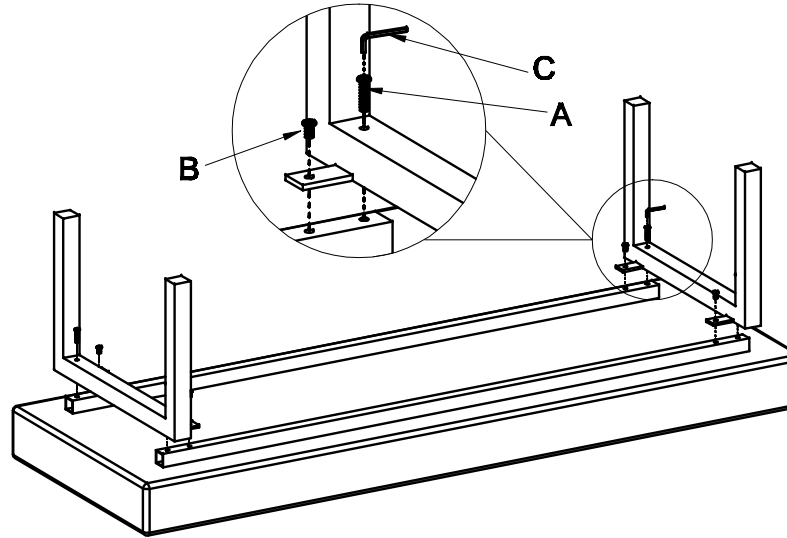


bench

NO.	NAME	DESC.	Q'TY	DRAWING
A	SCREW	M8*50	4	
B	SCREW	M8*10	4	
C	SPANNER	#5	1	
D				
E				
F				
G				
H				

step1



step2

