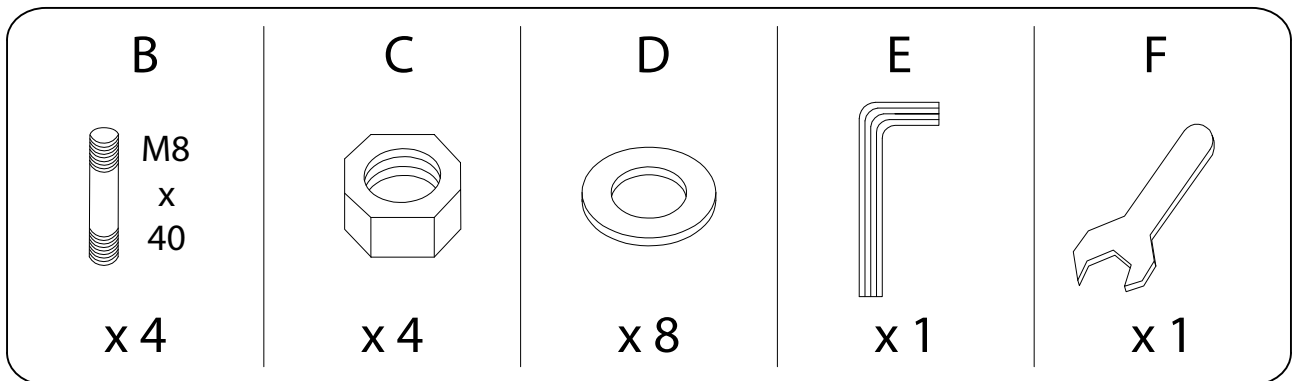
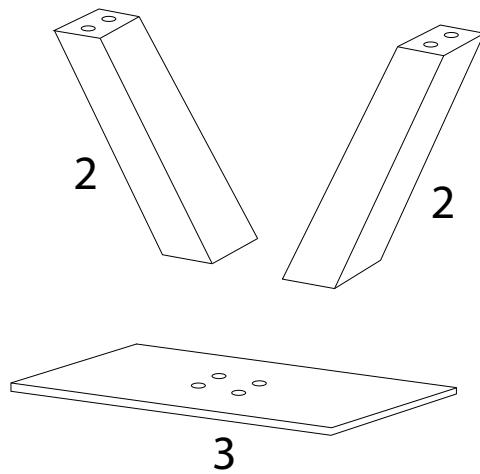
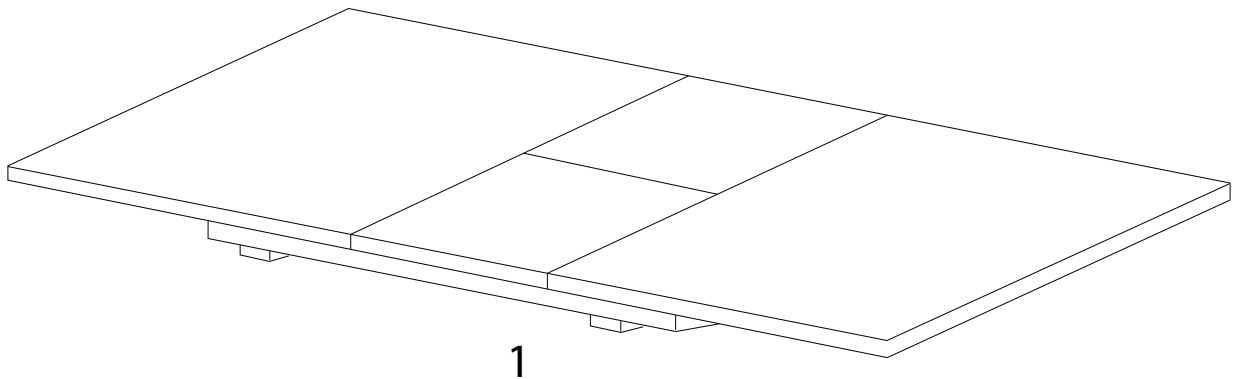
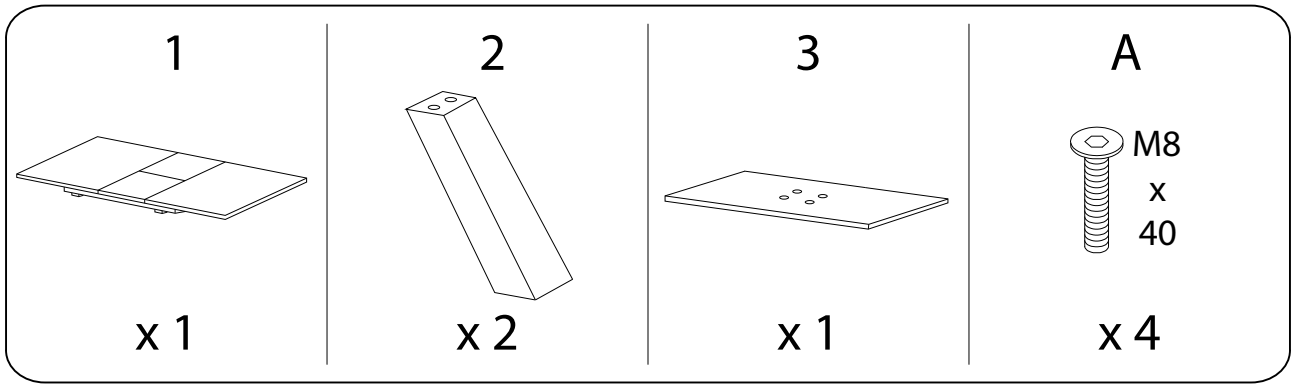


Assembly instructions for the table base:

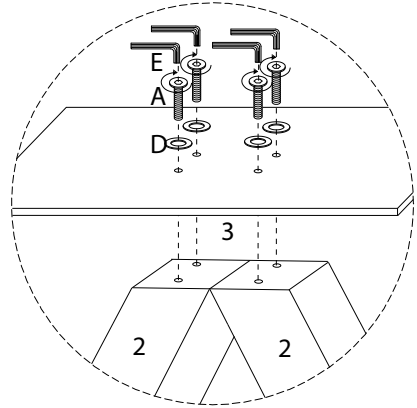
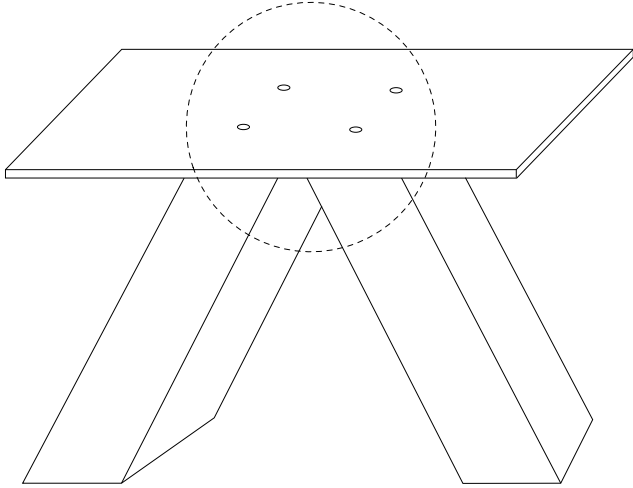
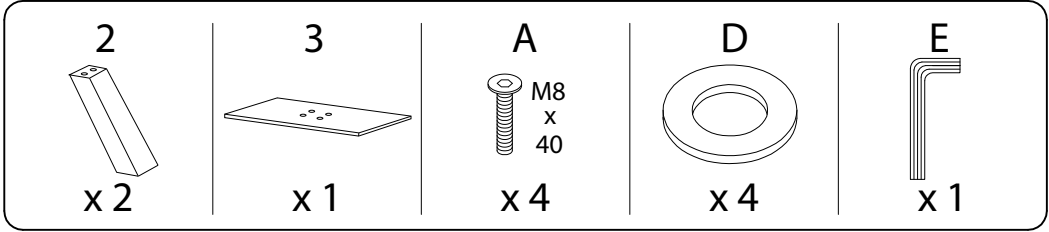
- Top Section:** Requires an Allen key and a wrench. A power drill is shown with a diagonal line through it, indicating it should not be used. An exclamation mark warning triangle is positioned to the right.
- Bottom Section:** Shows a rectangular block being placed on a textured surface. A diagram to the right shows the block being secured with a screw. An exclamation mark warning triangle is positioned to the right.

Estimated assembly time: 20'

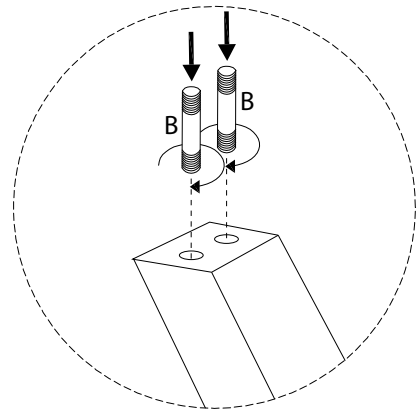
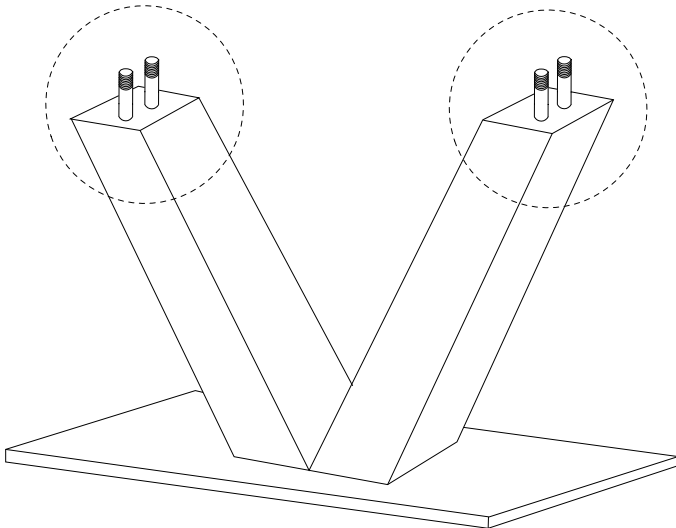
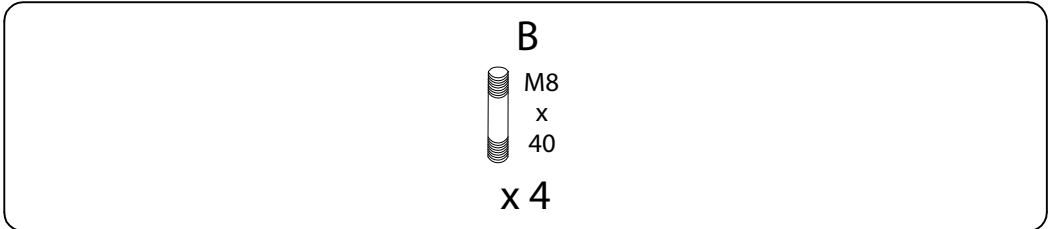
Number of people required: 1



1



2



3

