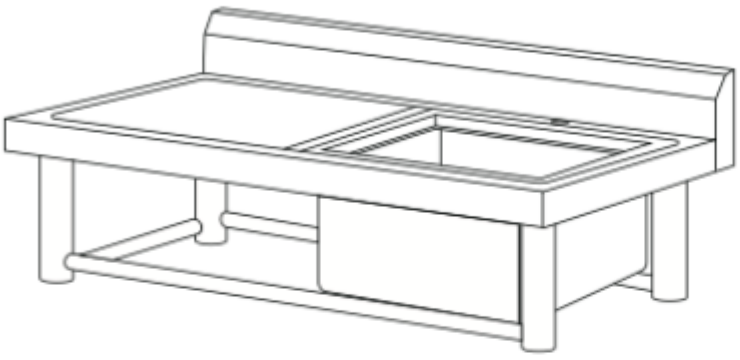
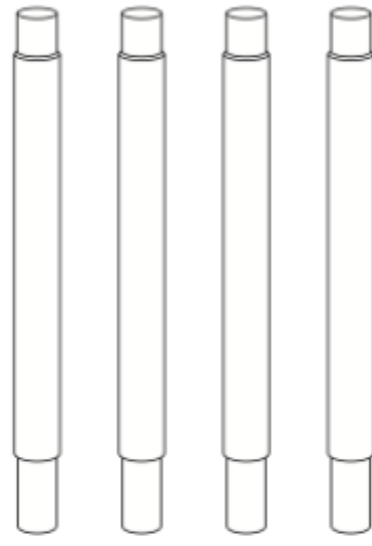


## Product Components

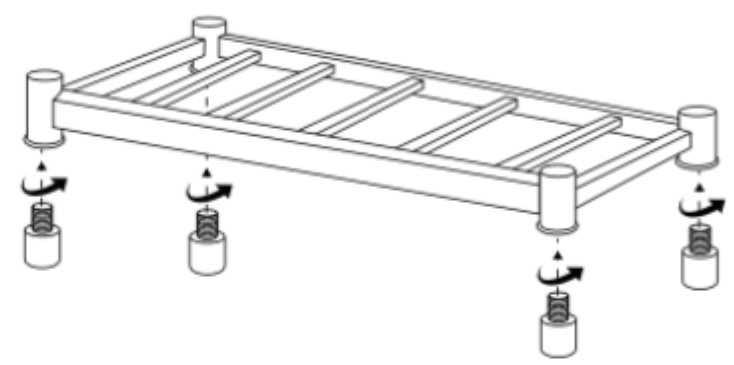
**A** x1 Sink Countertop



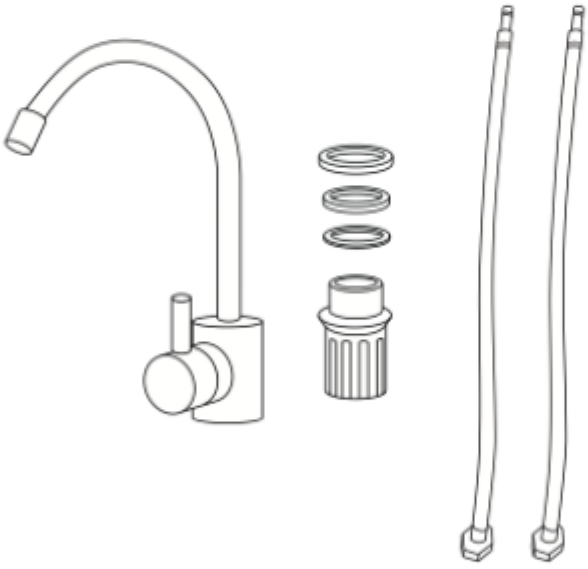
**B** x4 Column



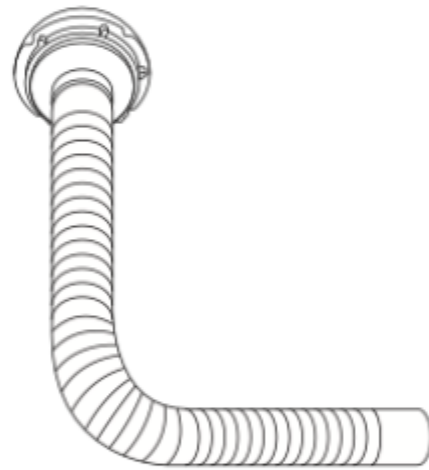
**C** x1 Shelf (with 4 foot)



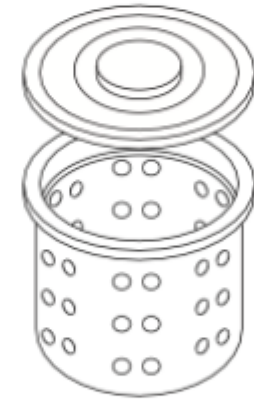
**D** x1 Faucet set



**E** x1 Drain pipe set

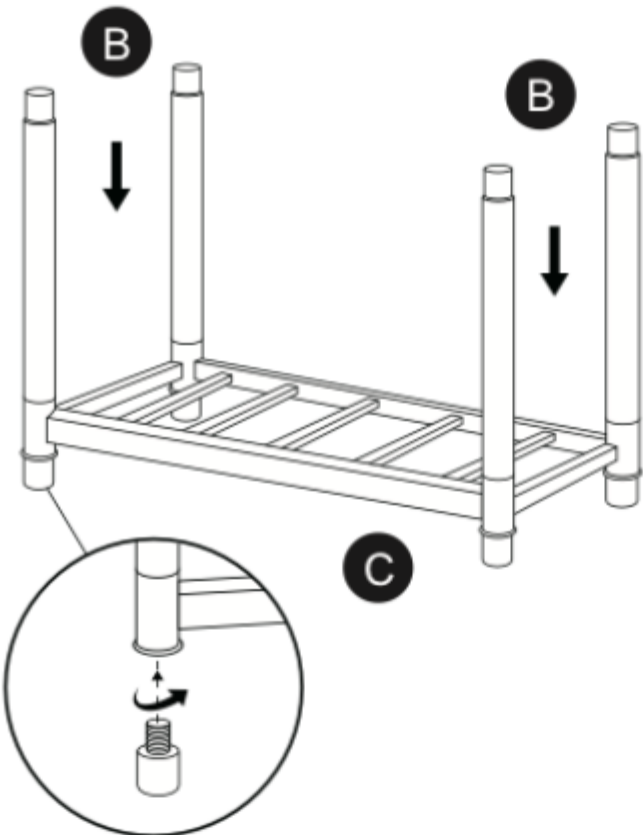


**F** x1 Drain basket set

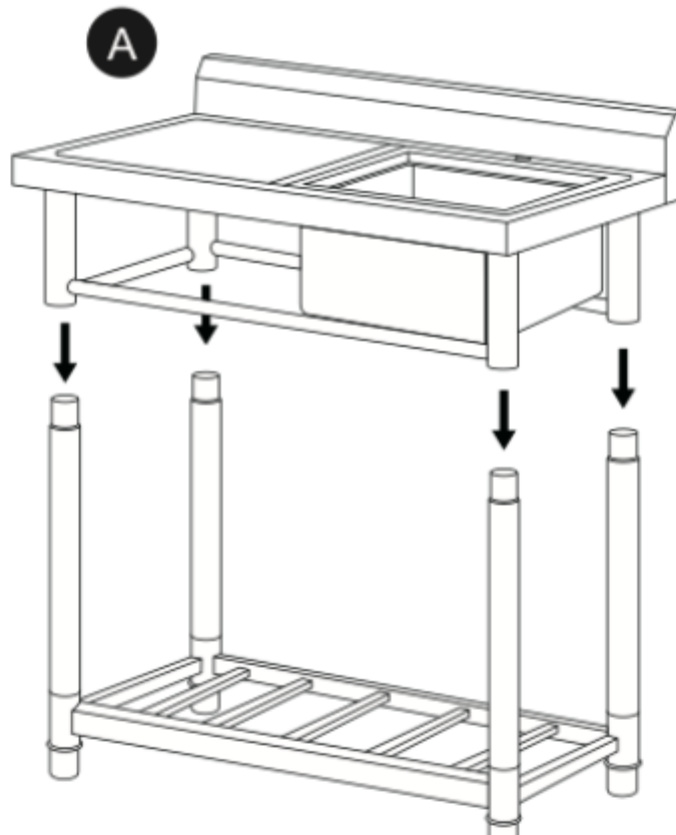


## Schematic diagram of installation instructions

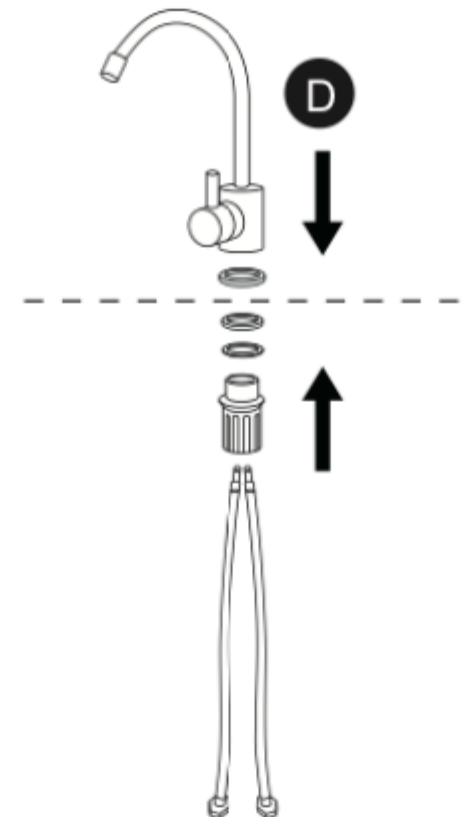
**1** Insert B into C's four circular tubes in turn.



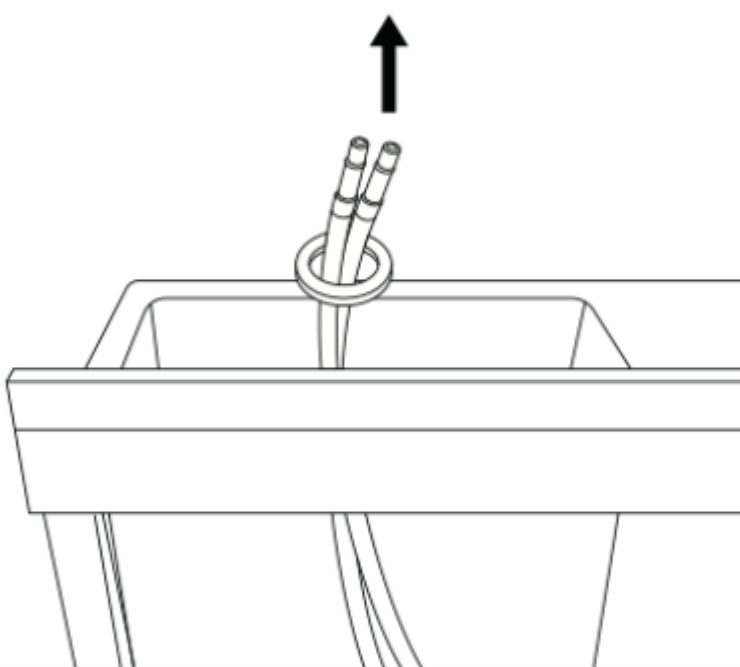
**2** Place A over the four posts and press down.



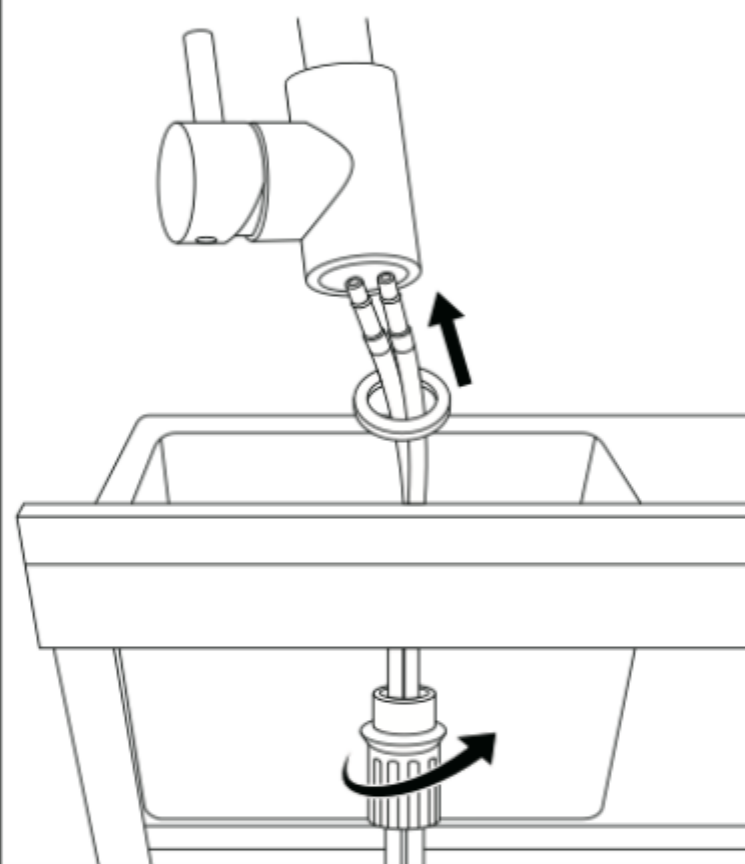
**3** Remove the locking nut, rubber washer, and metal protective washer from the faucet.



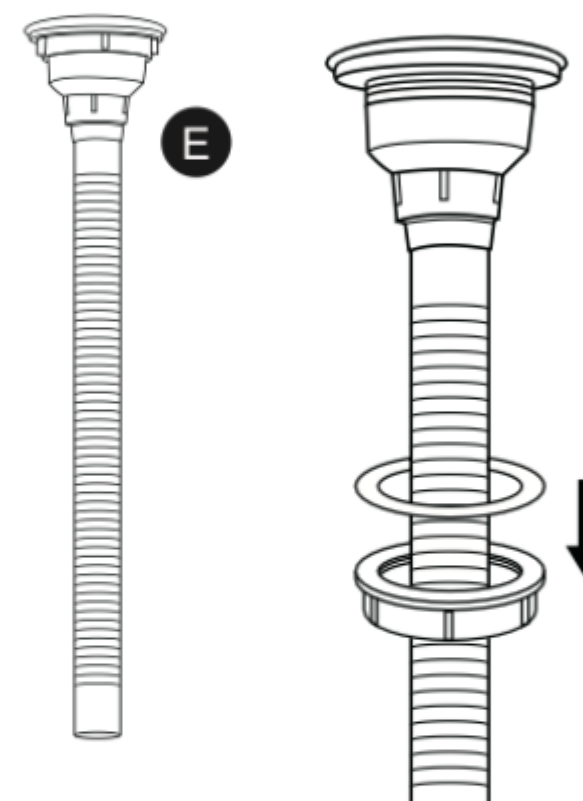
**4** Insert the hot and cold water pipes from under the sink, place the metal protective gasket on the table, and tighten the water pipes and faucets.



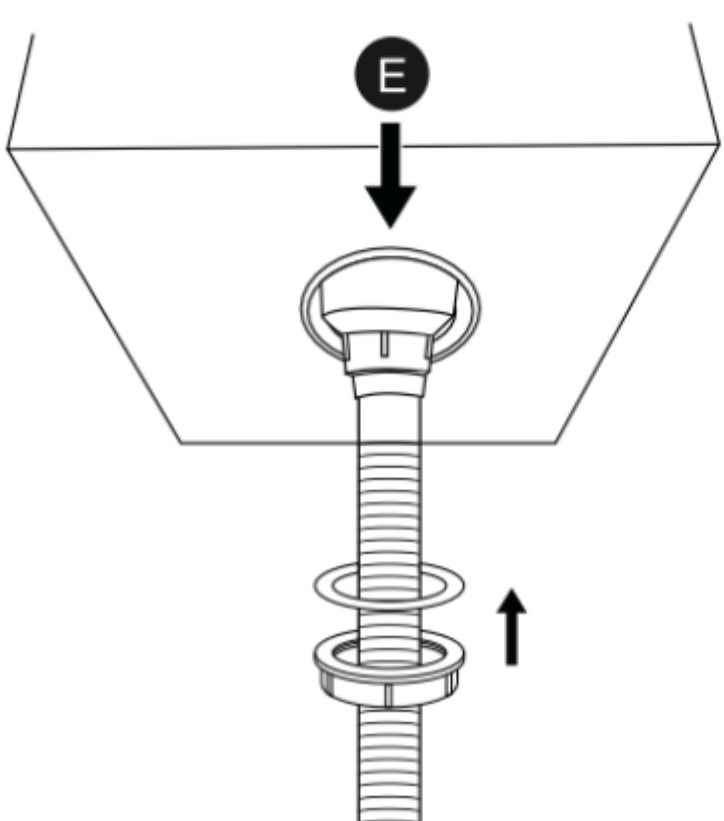
**5** Tighten the locking nut and rubber washer from the bottom of the sink to secure the faucet.



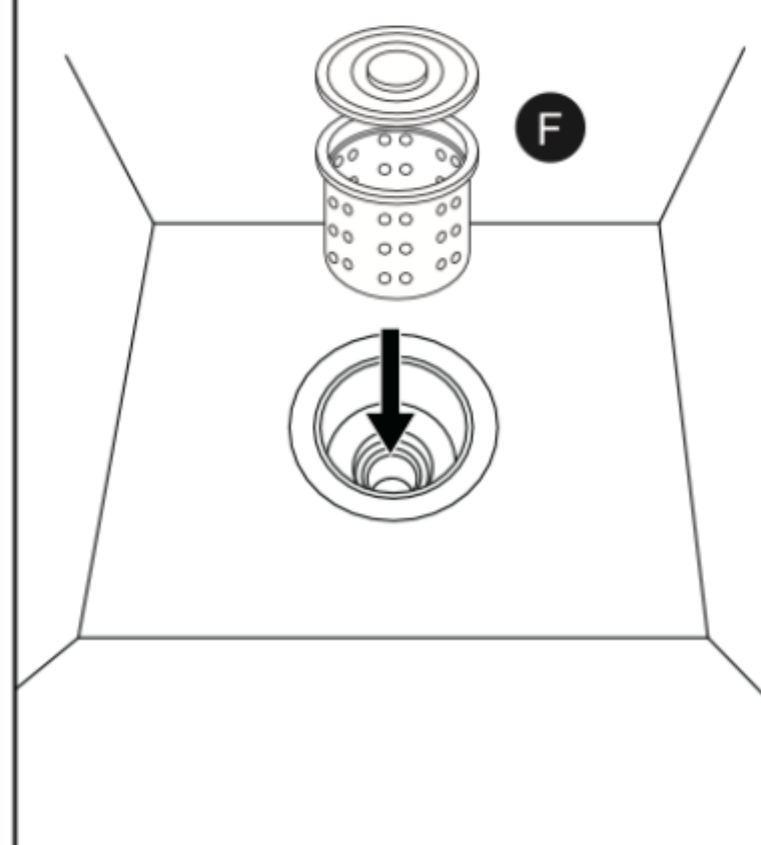
**6** Unscrew the knob and black gasket of the drain pipe set bottom.



**7** After the other parts through the drain hole, screw the knob and washer back in from the bottom and tighten.



**8** Place drain basket and lid in.



**9** Installation Complete.

