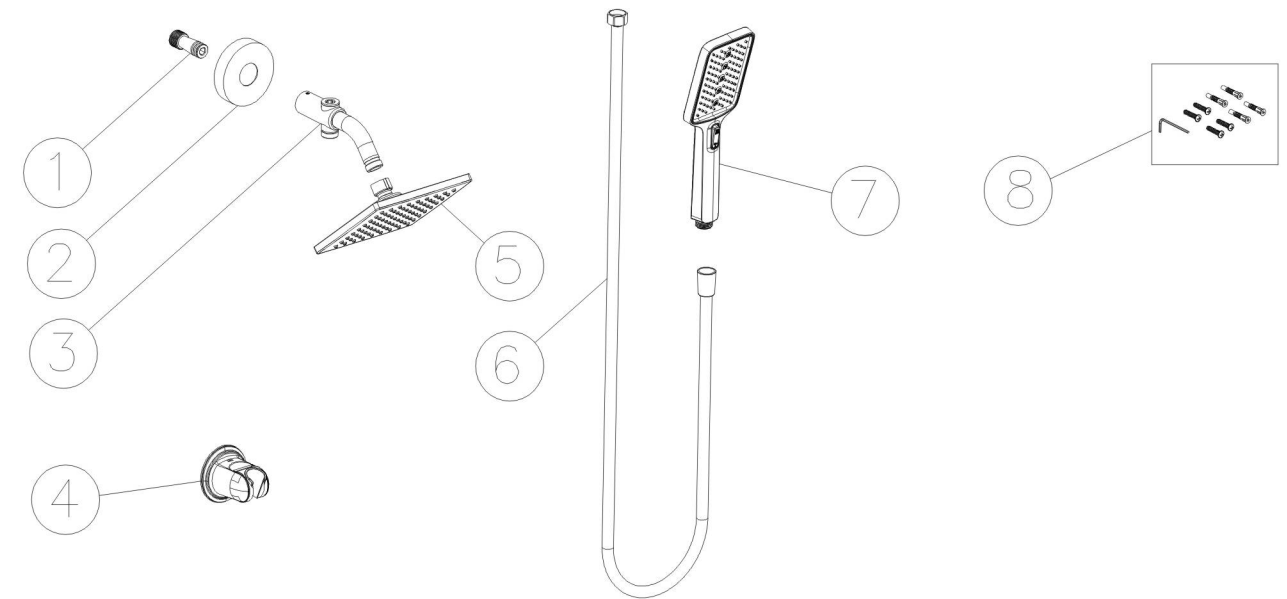


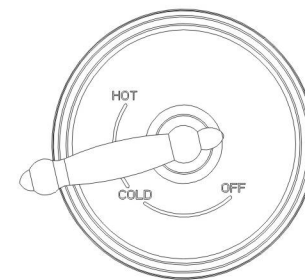
Installation and Operating Instructions



Parts list					
Serial Number	Name	Quantity	Serial Number	Name	Quantity
1	Water Inlet Connector	1	5	Top -spray Showerhead	1
2	Decorative Cover	1	6	Shower Hose	1
3	Main Body	1	7	Hand - held Showerhead	1
4	Shower Seat	1	8	Screw Package	1



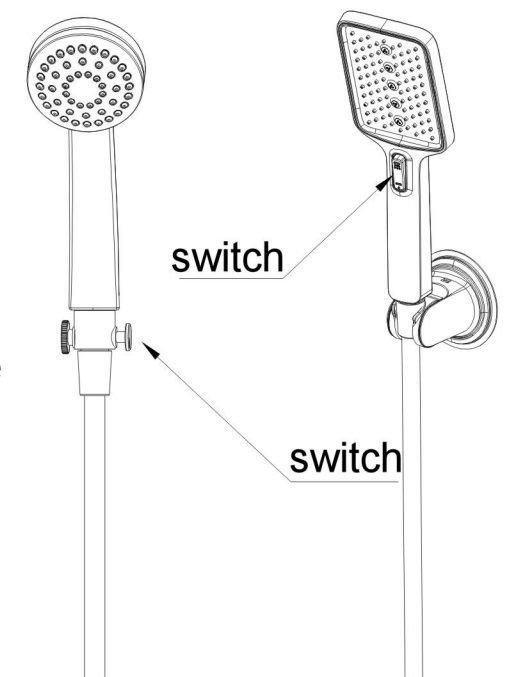
Application Instruction

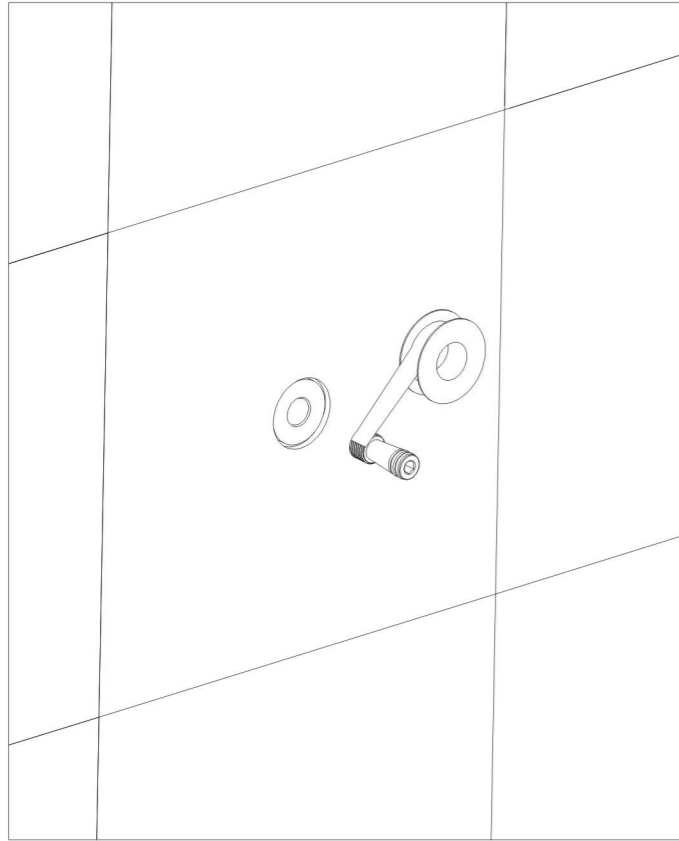


When the water valve is turned on, water will come out.

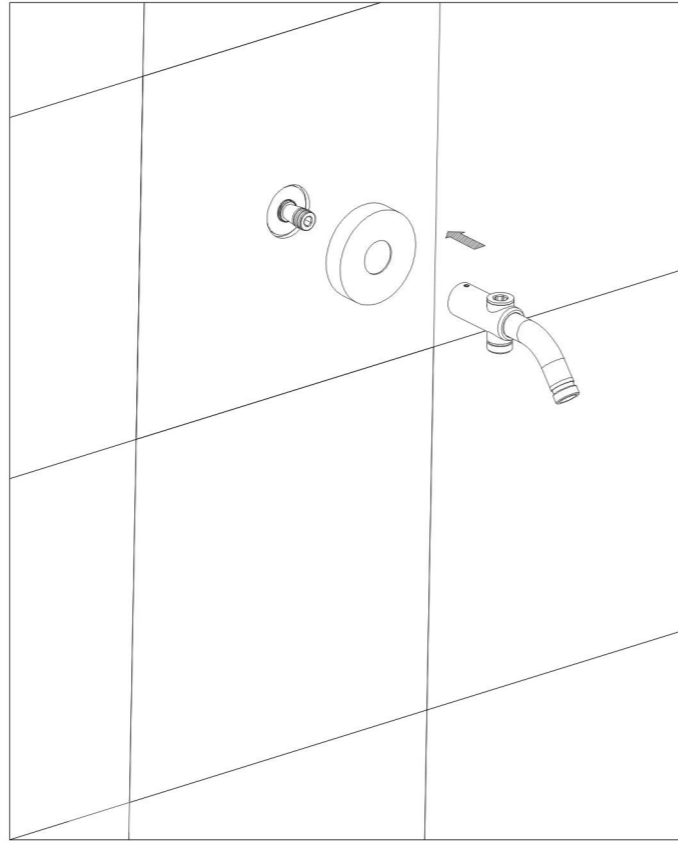
When the switch on the hand shower is turned on, water will come out of the hand shower.

When the switch on the hand shower is turned off, water will come out of the top - shower

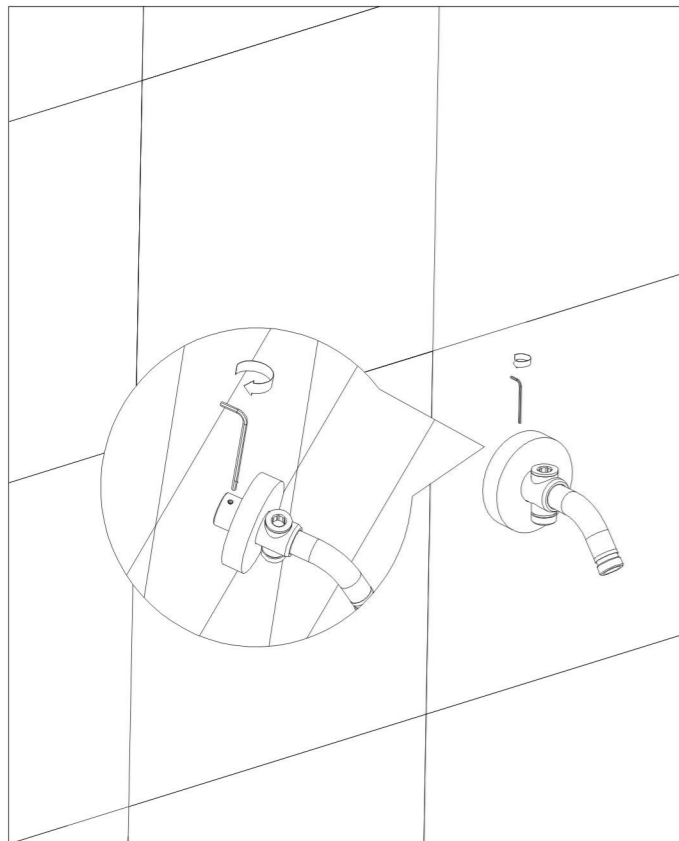




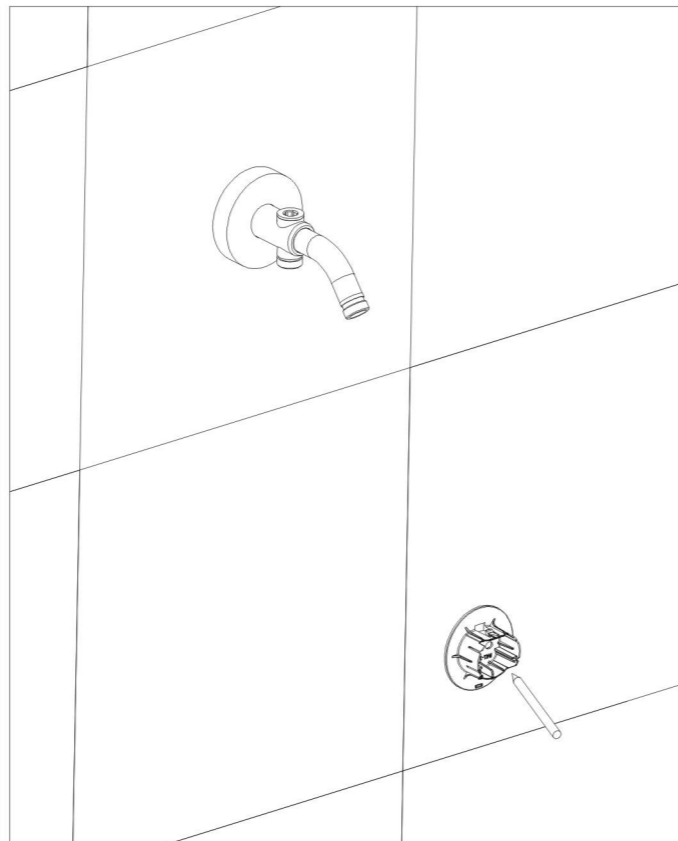
1. Wrap the threading end of the water inlet connector with plumbing tape and screw it into the water pipe connector on the wall.



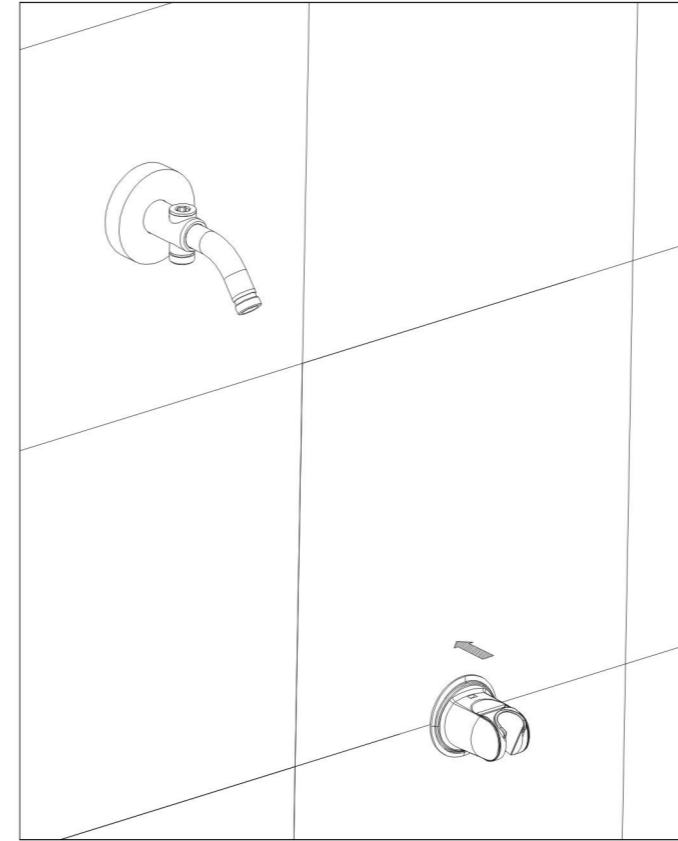
2. Put the decorative cover over the main body, and then install the main body into the water inlet connector.



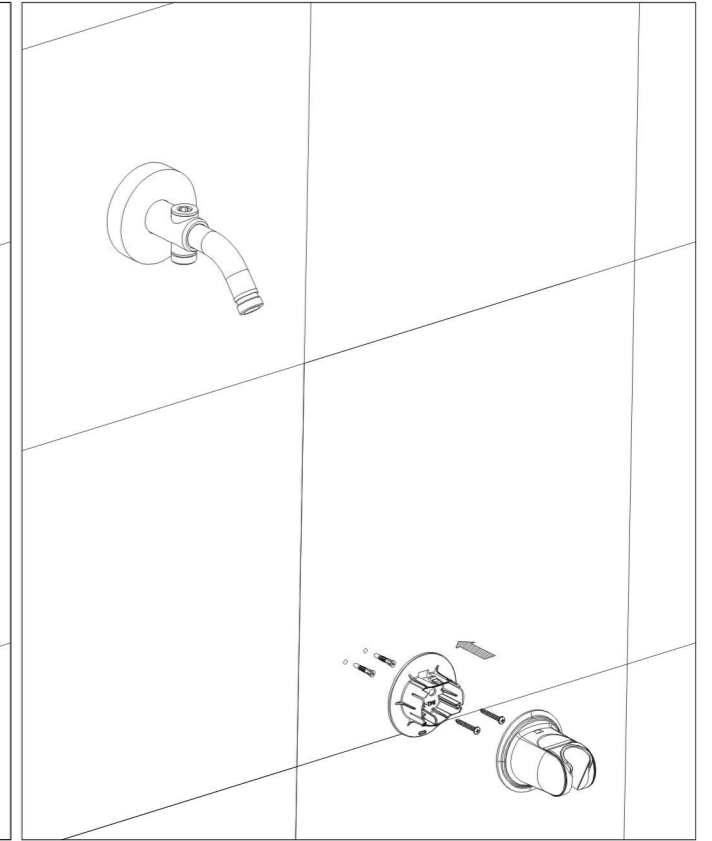
3. Use a hex wrench to tighten the screws.



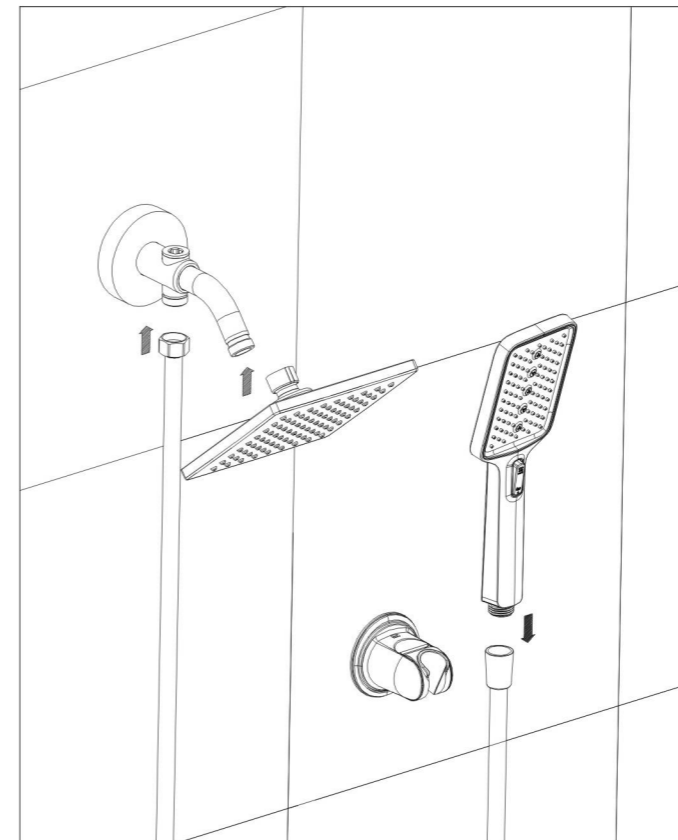
4. Disassemble the shower seat. Stick the fixed part onto a suitable position on the wall, and use a marker pen to mark the inside of the installation holes.



5. If it is a smooth tile surface or marble wall, tear off the double-sided tape on the back of the shower holder and stick it on the wall. For rough walls, nails need to be driven for fixation.



5.1 Drill a 6 - mm hole at the marked position with a depth of 40 mm.
5.2 Drive the plastic nails into the holes, and use self-tapping screws to install the shower seat on the wall.



6. Install the hand-held showerhead and the top-spray showerhead onto the main body respectively.