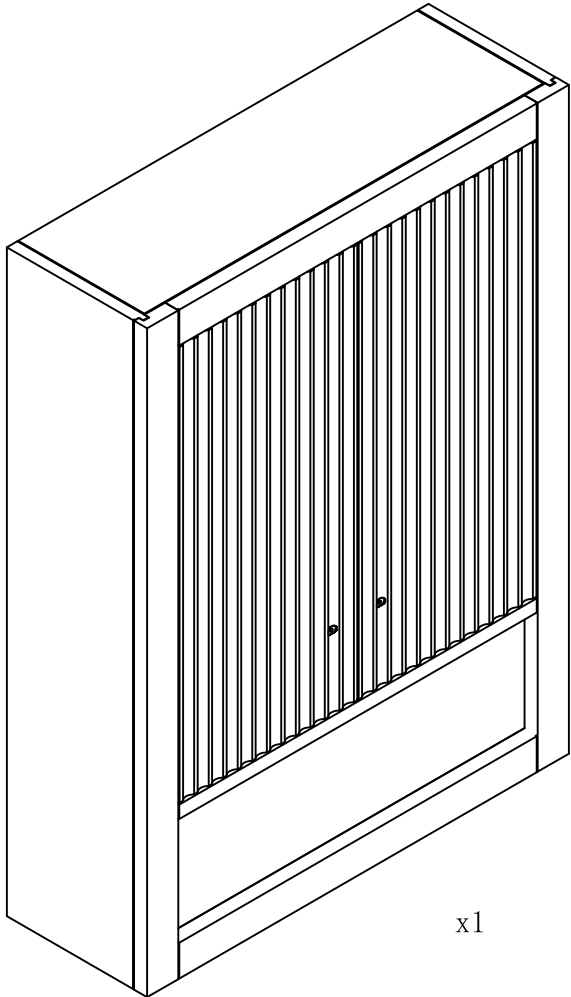


ASSEMBLY INSTRUCTIONS

CVL-TC



Ax2



Bx2



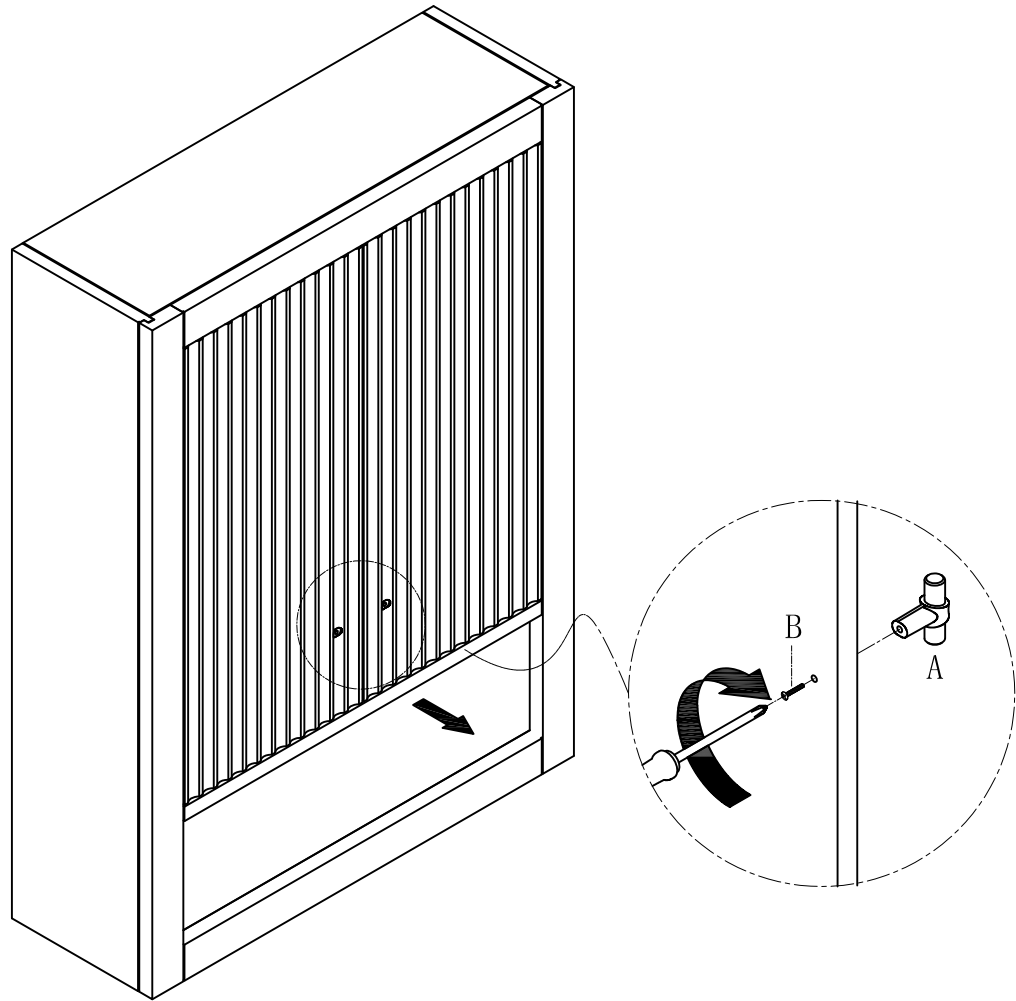
Cx2



Dx2

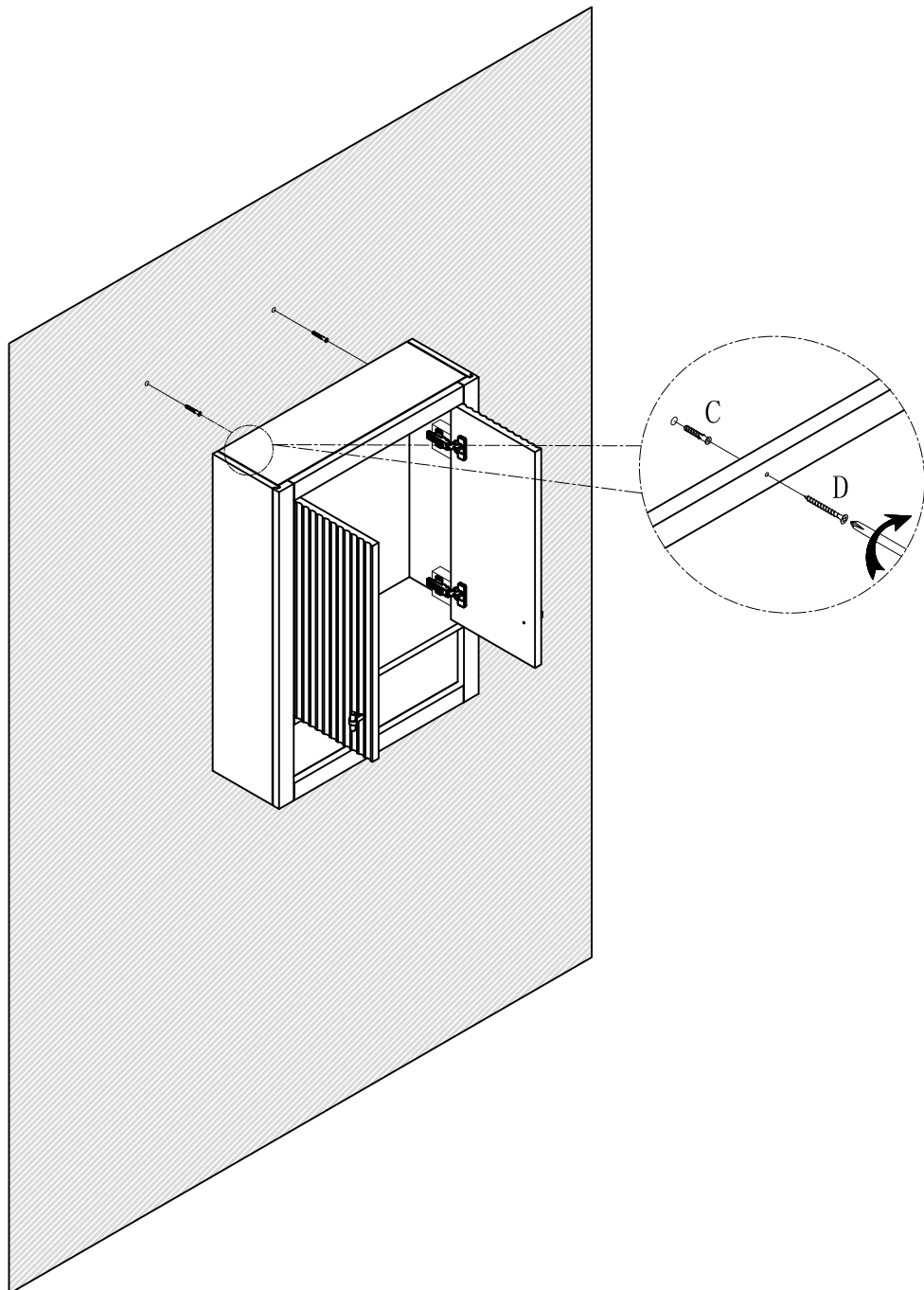
Assembly Instructions

Step 1. Mount the hardware.



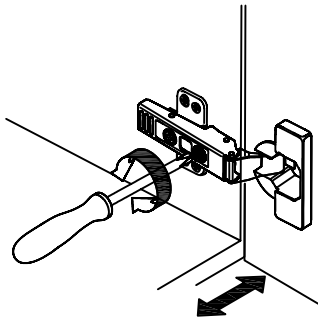
Assembly Instructions

Step 2. Mount the cabinet to the wall with appropriate hardware (hardware not included in the package).

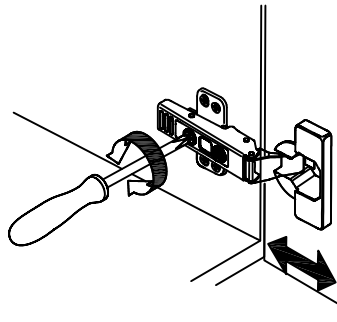


Assembly Instructions

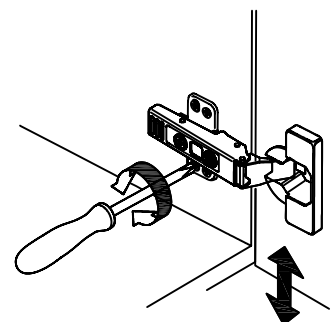
To adjust the door:



In & out adjustment

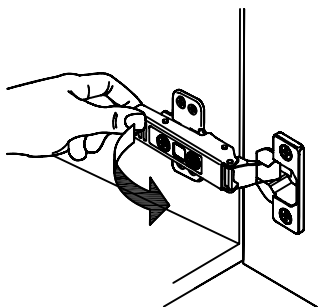


Left & right adjustment

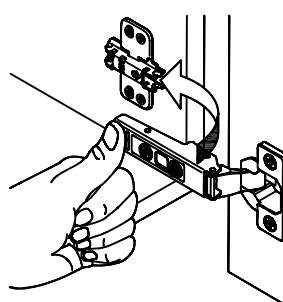


up & down adjustment

To remove or install the hinges:



Remove



Install