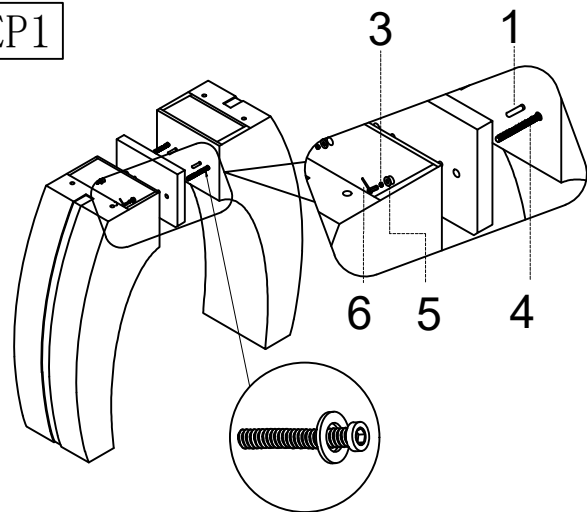
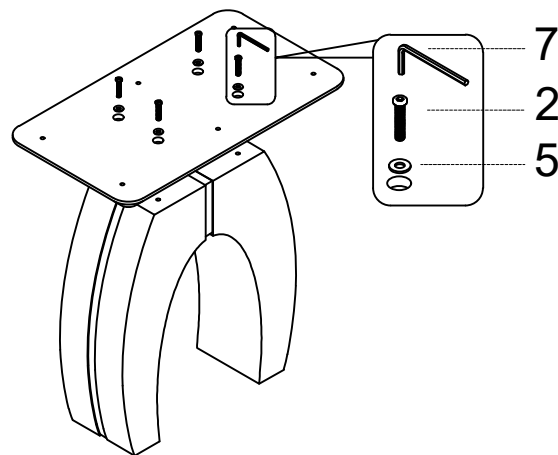


# ASSEMBLY INSTRUCTION

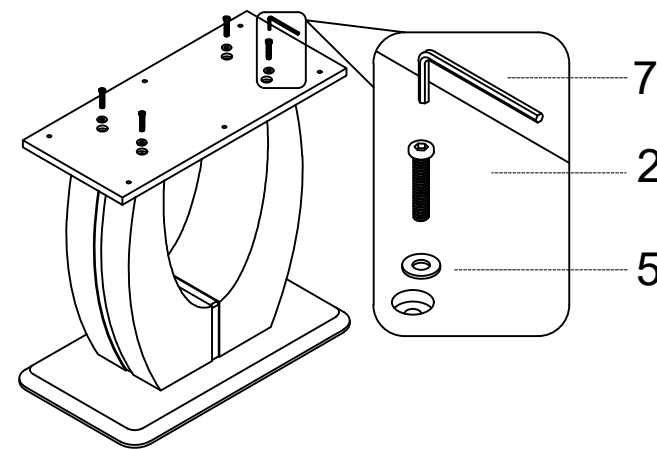
STEP1



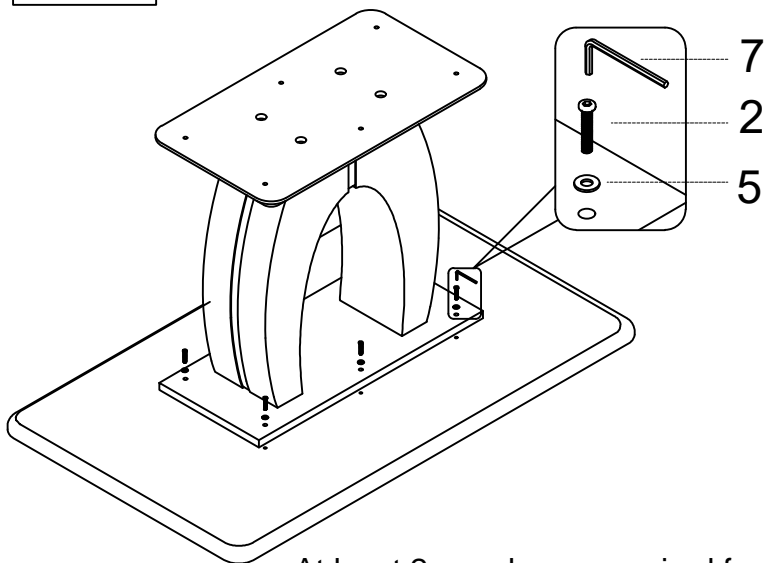
STEP2



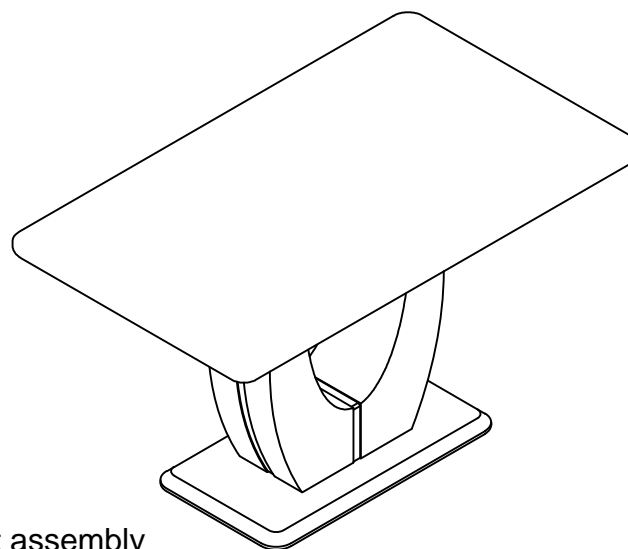
STEP3



STEP4



At least 2 people are required for product assembly



DI-14

1		2pcs	Wooden dowel $\varnothing 8 \times 50 \text{mm}$
2		14pcs	bolt M8*50mm
3		2pcs	Nut M8
4		2pcs	bolt M8*90mm
5		18pcs	Washer $\varnothing 22 \text{mm}$
6		1pc	DRIVEPE 17*47mm
7		1pc	Allen Wrench 5mm