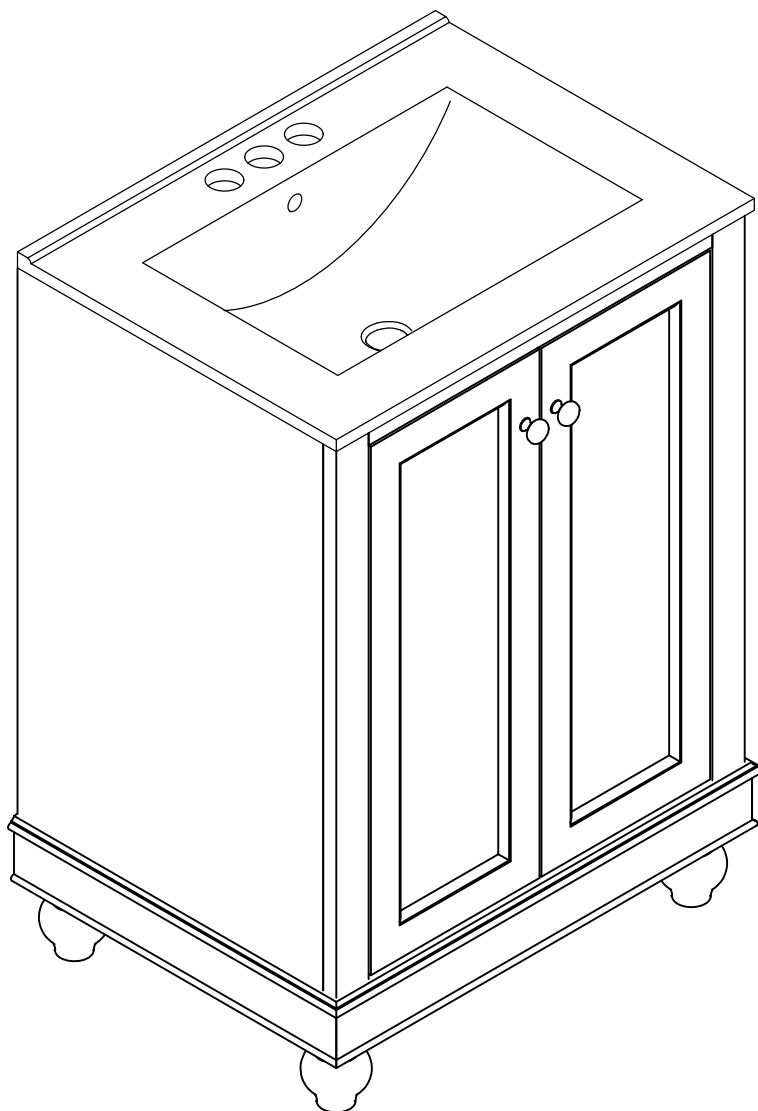


ASSEMBLY INSTRUCTIONS

24 INCH BATH VANITY

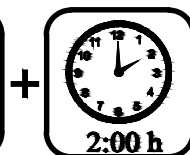
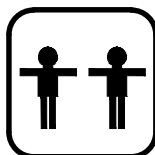
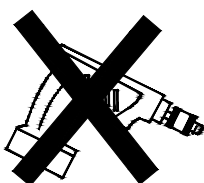


Thank you for purchasing this quality product. Be sure to check all packing material carefully for small parts which may have come loose inside the carton during shipment. Separate, identify and count all parts and hardware.

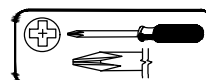
Compare with the parts list to be sure all parts are present.

"DO NOT TIGHTEN SCREWS UNTIL COMPLETELY ASSEMBLED"

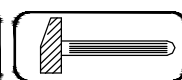
*** Use of power tool to assemble this product will invalidate any claim and damage this product making unsafe!!!**
*** Please assemble on a clean soft surface to avoid damage.**



Tools Required



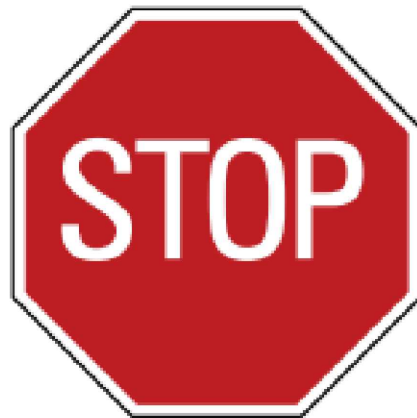
(Not Included)



(Not Included)

IMPORTANT:
PLEASE READ INSTRUCTION BEFORE STARTING THE ASSEMBLY

PLEASE DO NOT RETURN TO STORE



**Please do not return this product to the retailer!!
We are able to assist you in ANY way**

If you find that you have any trouble with assembly or missing or damaged parts please contact the seller.

Before Installation

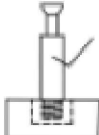

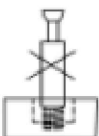

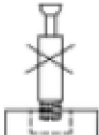
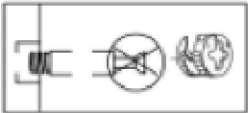
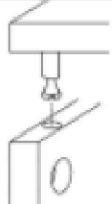
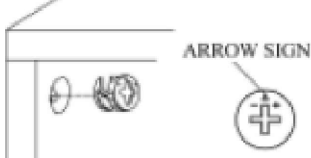
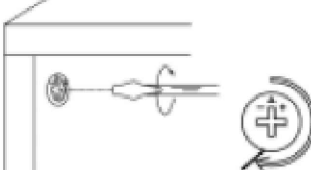
Important - Please read these instructions fully before starting assembly

Thank you for purchasing this quality product. Be sure to check all packing materials carefully for small parts, which may have come loose inside the carton during shipment. Identify and count all items according to the PARTS LIST and/or HARDWARE LIST shown below. Check you have all the components and tools listed on the following pages.

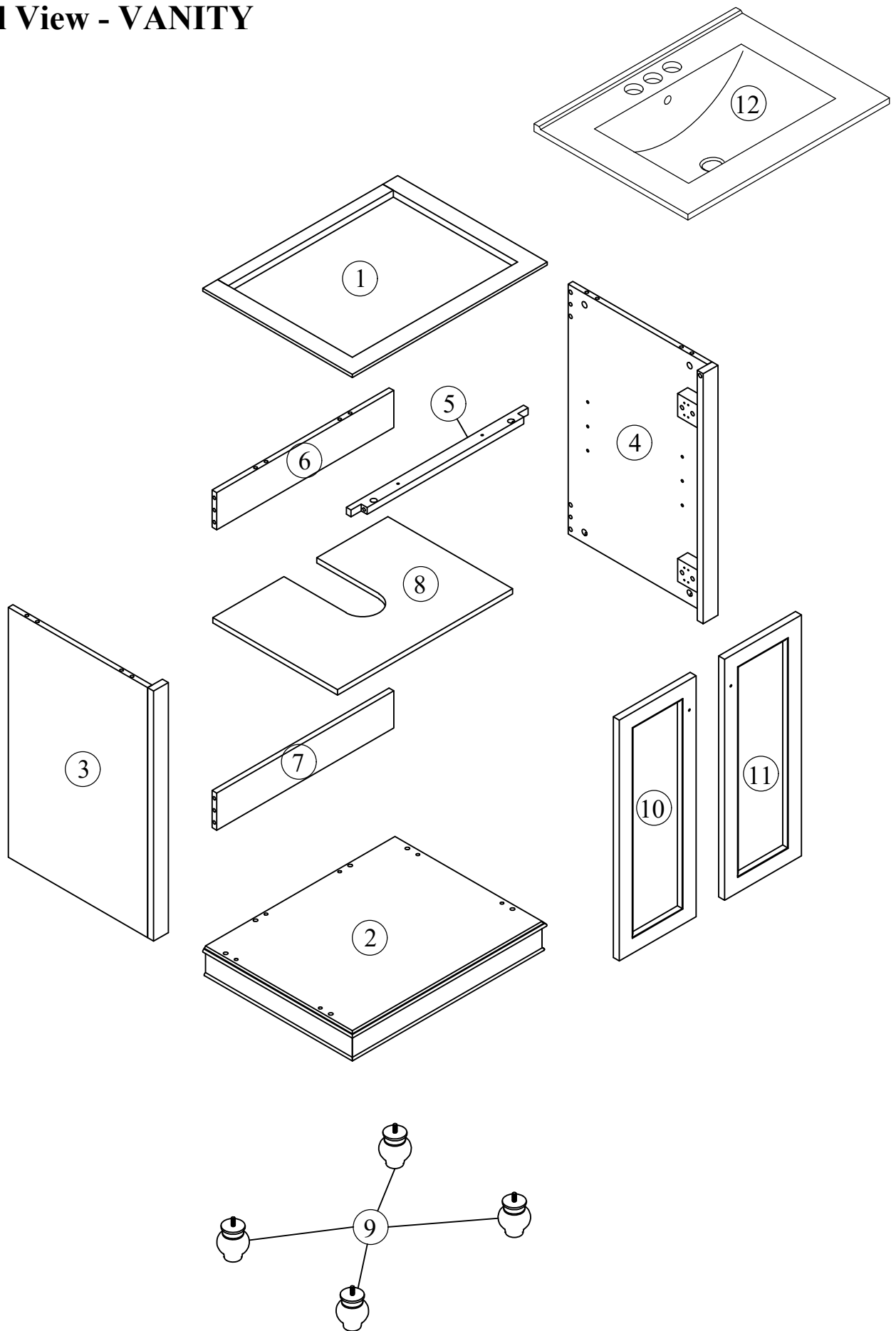
- . We recommend that you assemble this product with the assistance of another person; this will make the assembly easier, and will help eliminate damage to the product or injury to persons during assembly.
- . Please do not over tighten screws or bolts until the assembly is completed.
- . Keep children and animal away from the work area, small parts could choke if swallowed.
- . Please put all parts on a non-abrasive floor before assembly, and follow the assembly steps to assemble your newly purchased product correctly and efficiently.

If you find that you have any trouble with assembly or missing or damaged parts please contact the seller.

Cam Lock Assembly Instructions

		Insert Cam Bolt into hole as shown in diagram A.
		Make sure not to insert the Cam Bolt: Too deep as shown in figure B as this will cause the Cam Lock to be misaligned and unable to interlock properly.
		Also avoid inserting the Cam Bolt too close to the surface of the hole as shown in figure C, as this will cause the Cam Lock to be too loose, and not interlock properly.
		Connect the panels together.
		Insert the Cam Lock so the side opening fits over the head of the Cam Bolt.
		To tighten the Cam Lock, turn it clockwise on half a turn with a flat screwdriver. <i>*Do not use an automatic screwdriver as it may bend or break if too much power is imposed.</i>

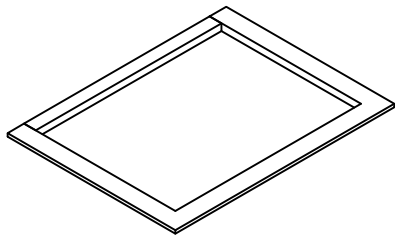
Detail View - VANITY



Identifying the Hardware-Identify the hardware using the illustrations below.

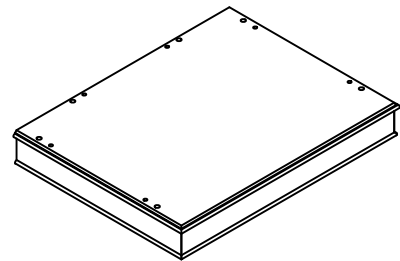
Part List - N710P446524

1



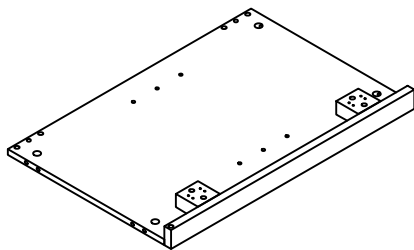
Top Frame - 1pc

2



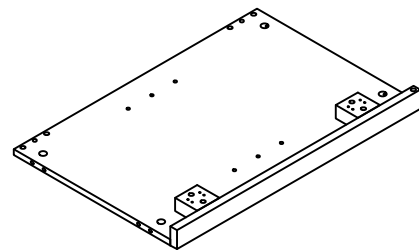
Bottom Panel - 1pc

3



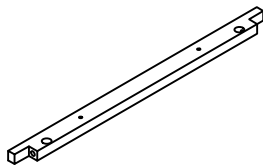
Side Panel (L) - 1pc

4



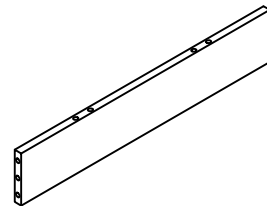
Side Panel (R) - 1pc

5



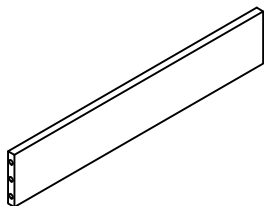
Top Bar Front - 1pc

6



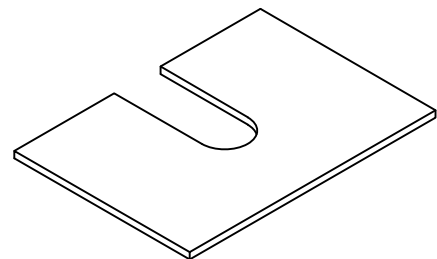
Top Rear Panel - 1pc

7



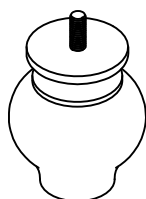
Bottom Rear Panel - 1pc

8



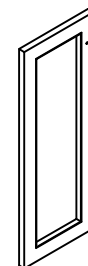
Adjustable Shelf - 1pc

9



Foot Cabinet - 4pcs

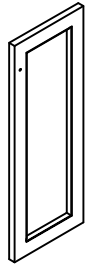
10



Left Door - 1pc

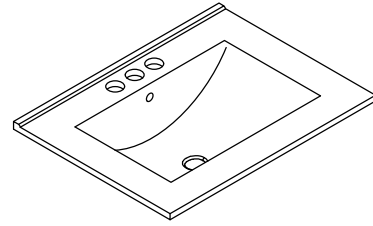
Part List - N710P446524

11



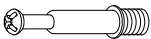

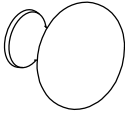
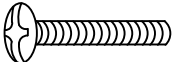
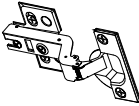
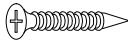
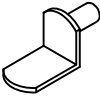


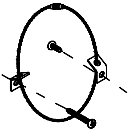
Right Door - 1pc

12



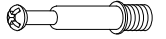
Sink - 1pc

Hardware List- N710P446524

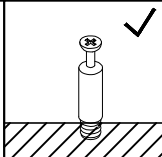
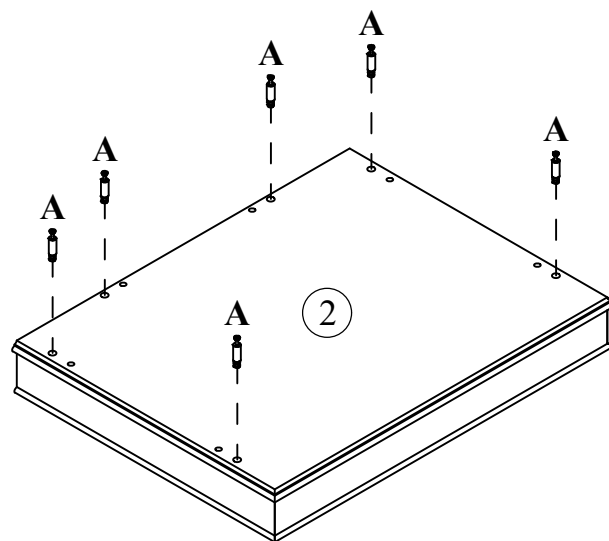
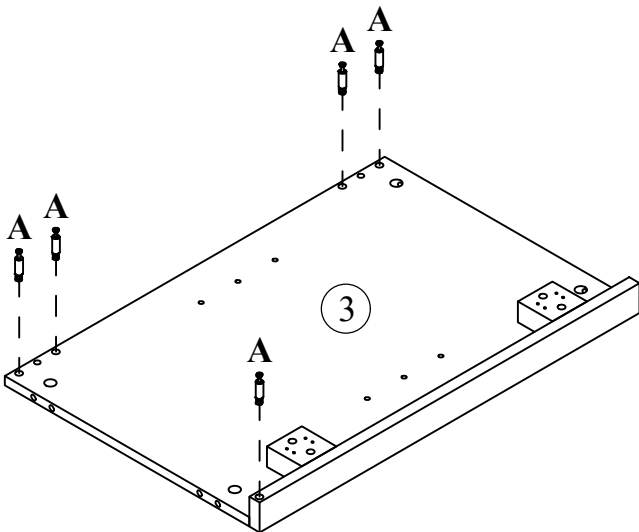
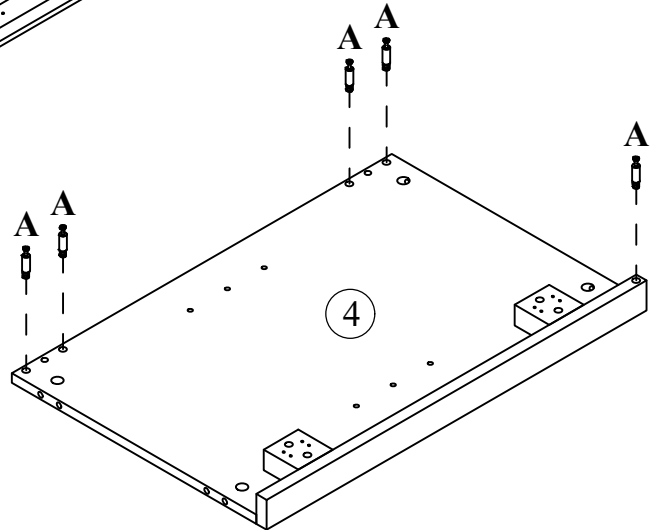
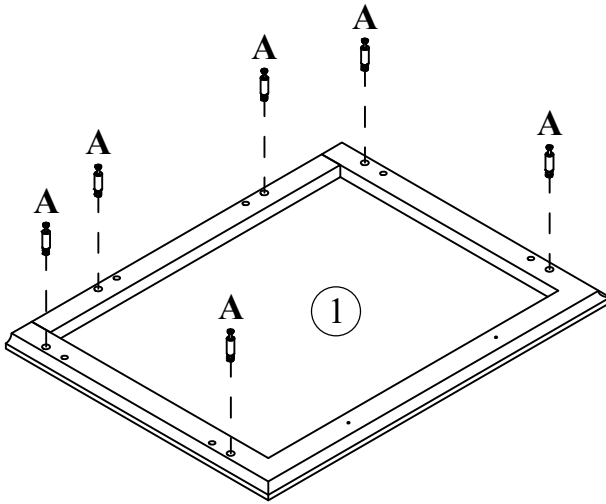
<p>A</p>  <p>ø6x35mm</p>	<p>B</p>  <p>ø14.5x12mm</p>	<p>C</p> 
<p>Three in one bolts (22pcs+1)</p>	<p>Three in one lock (22pcs+1)</p>	<p>Handle(2pcs)</p>
<p>D</p>  <p>ø5/32"x25mm</p>	<p>E</p> 	<p>F</p>  <p>ø7xø3.5x15mm</p>
<p>Handle screw (2pcs+1)</p>	<p>Damping hinge (4pcs)</p>	<p>Flat head screw (24pcs+1)</p>
<p>G</p> 	<p>H</p>  <p>ø8xø4x25mm</p>	<p>I</p>  <p>ø8x30mm</p>
<p>Laminate pad (4pcs+1)</p>	<p>Round head screw (2pcs+1)</p>	<p>Wood dowel (16pcs+1)</p>
<p>J</p> 		
<p>Anti fall hardware (2sets)</p>		

STEP: 1

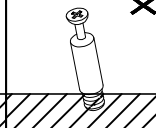
A



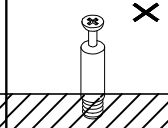
22PCS



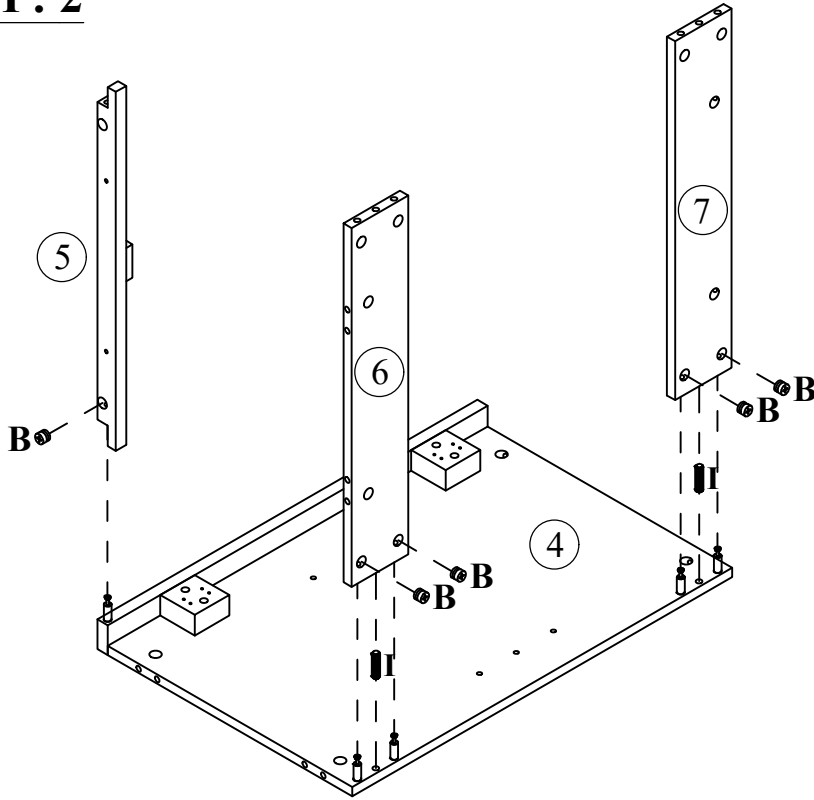
Don't lean





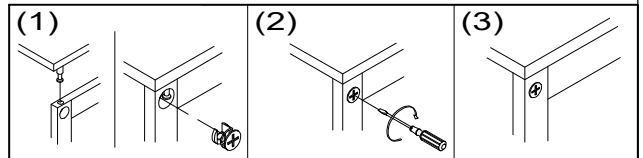
Don't over tighten



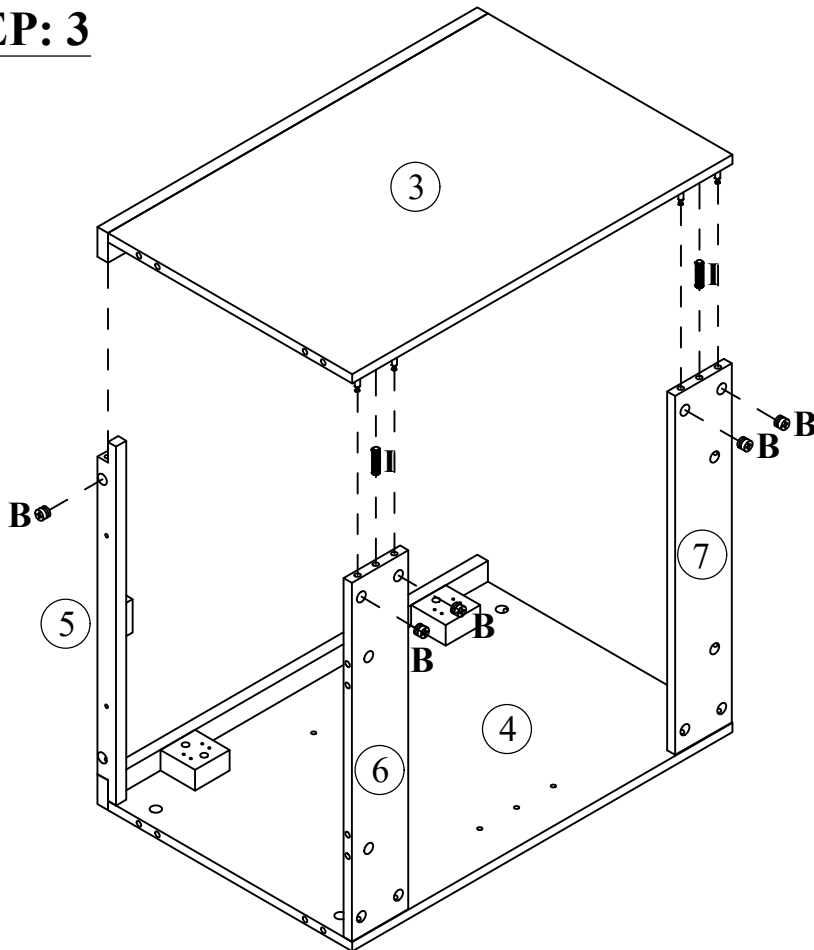
STEP: 2





B		I	
	5PCS		2PCS

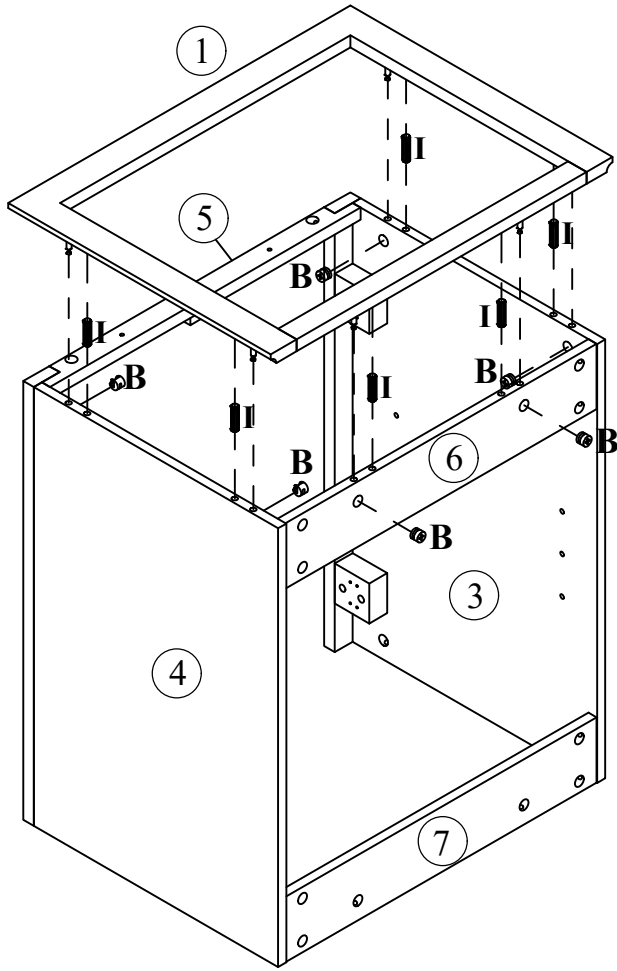




STEP: 3



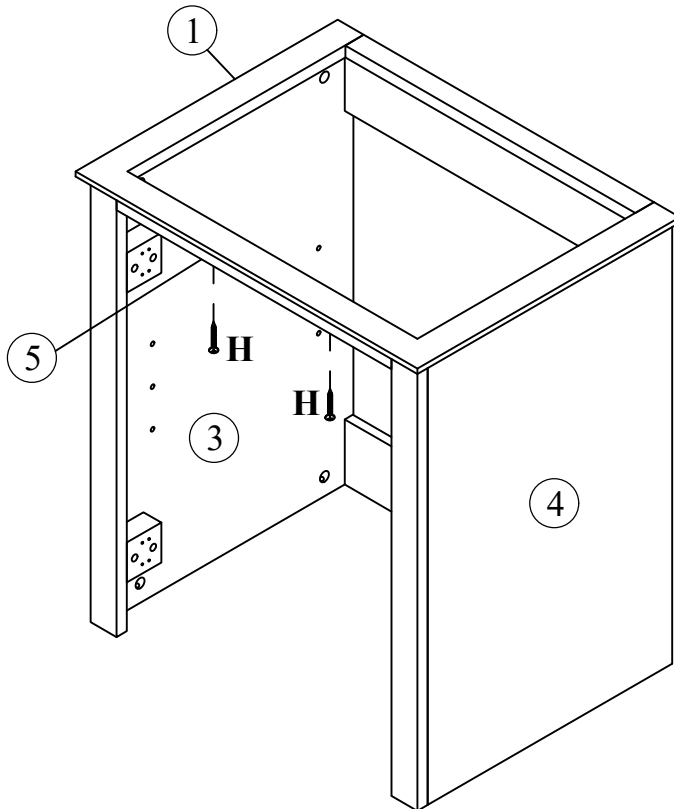
B		I	
	5PCS		2PCS


STEP: 4



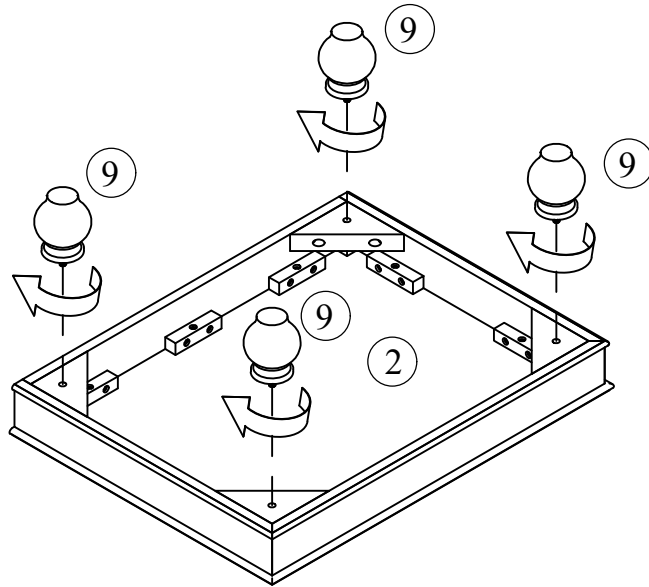
B		I	
6PCS		6PCS	

STEP: 5


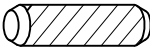


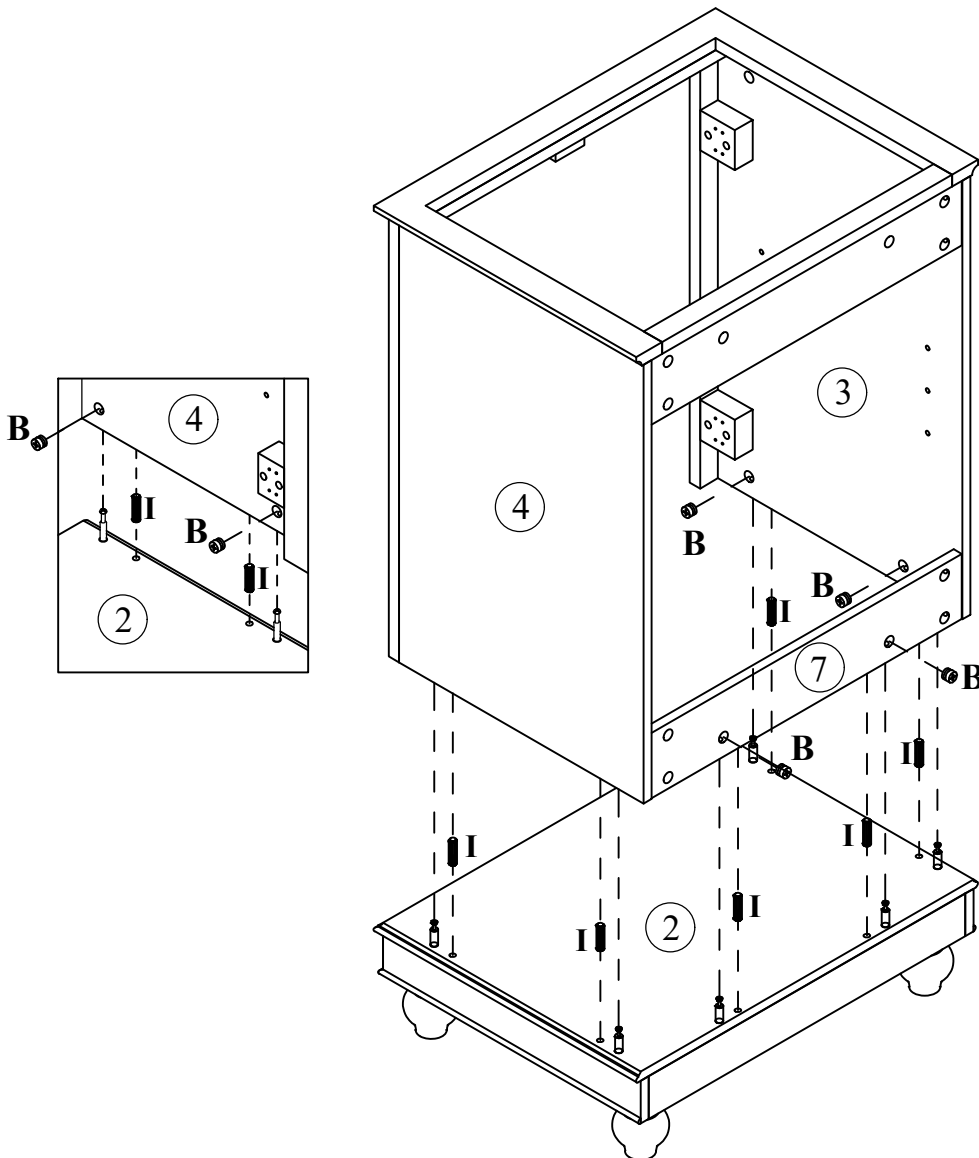
H	
2PCS	

STEP: 6

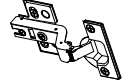
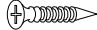


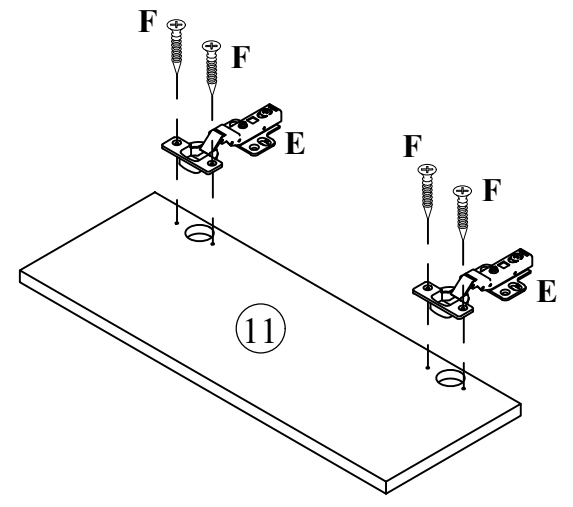
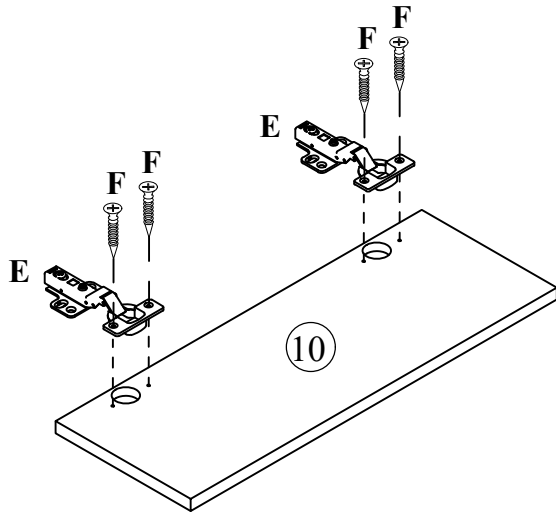
STEP: 7

B	I
	
6PCS	6PCS

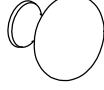
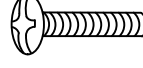
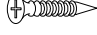


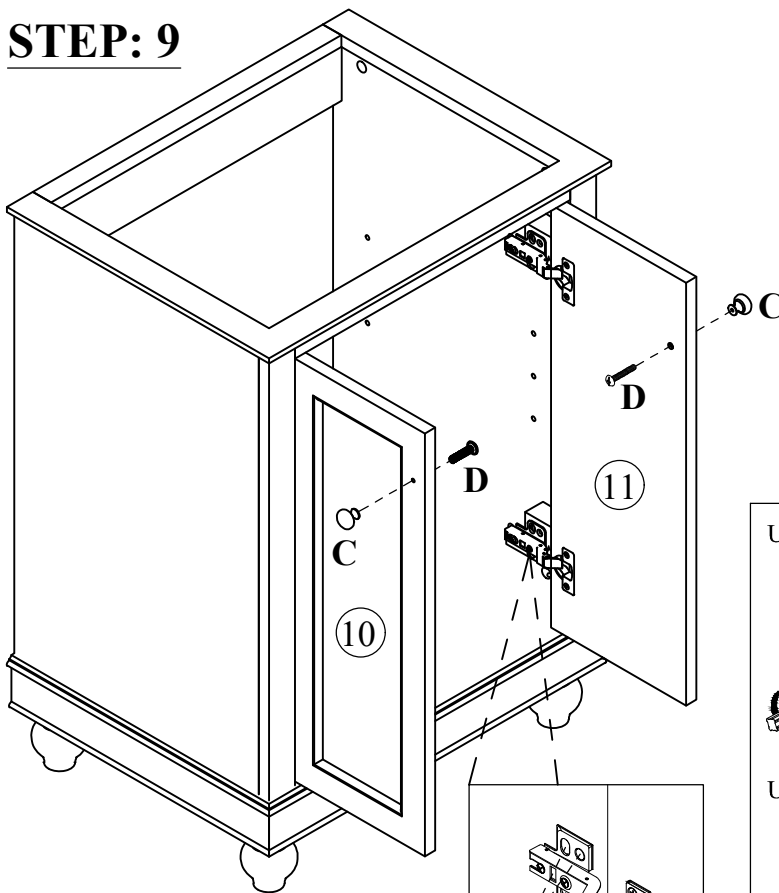
STEP: 8

E	F
	
4PCS	8PCS

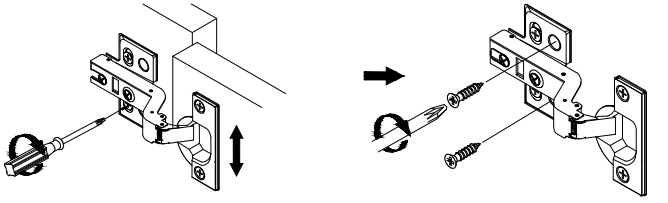


STEP: 9

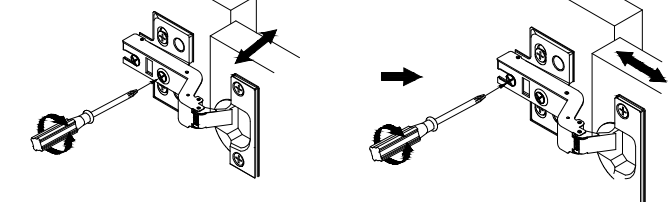
C	D	F
		
2PCS	2PCS	16PCS



Use the screws to adjust up or down Use the screws to permanent



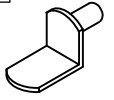
Use the screws to adjust left or right Use the screws to adjust in or out



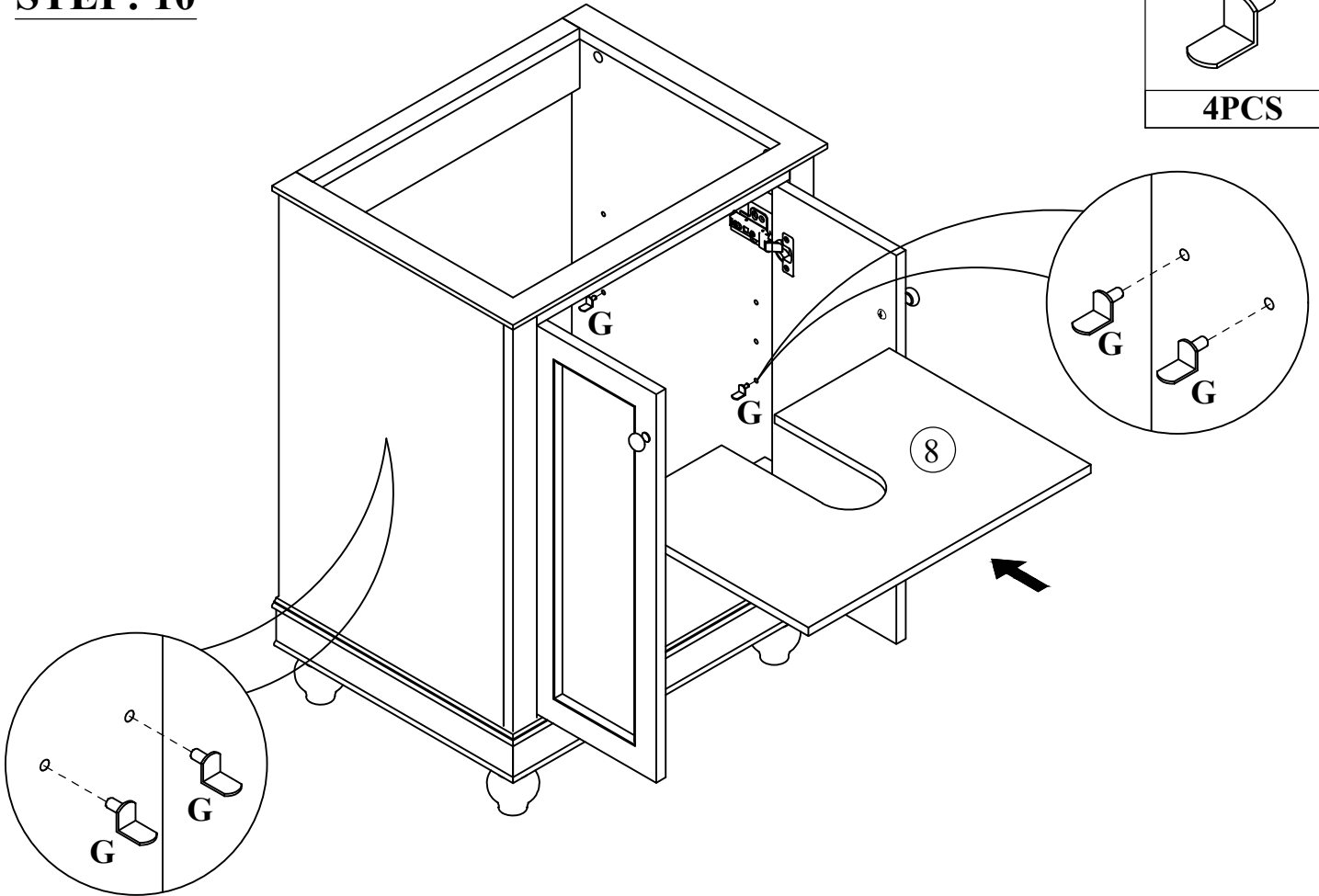
The diagrams illustrate how to use screws to adjust the door's position. The top-left diagram shows screws for adjusting up or down. The top-right diagram shows screws for permanent adjustment. The bottom-left diagram shows screws for adjusting left or right. The bottom-right diagram shows screws for adjusting in or out.

STEP: 10

G

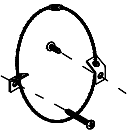


4PCS

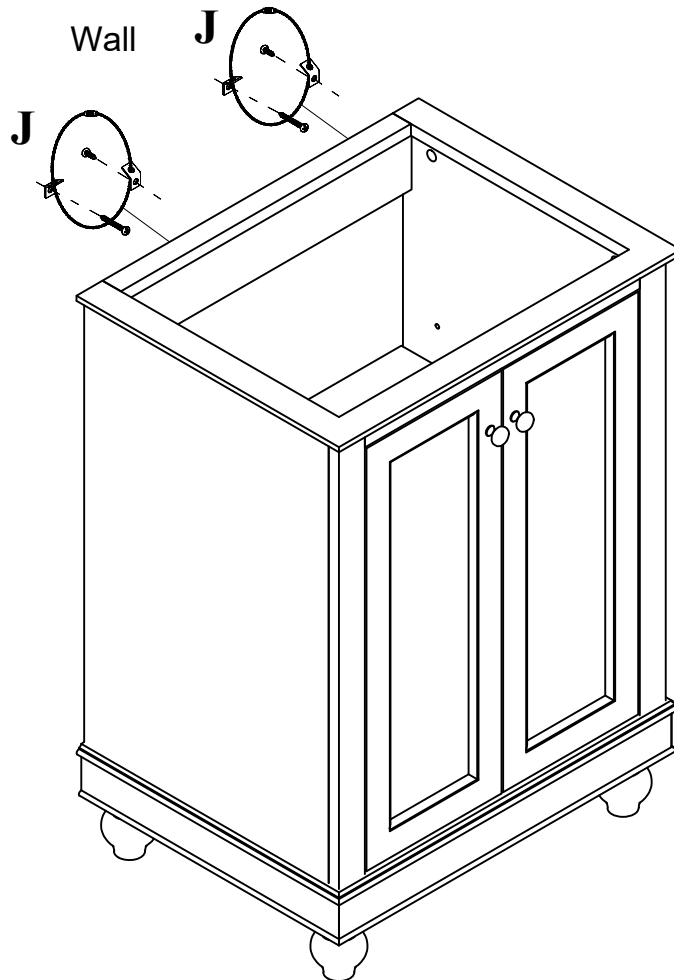


STEP: 11

J

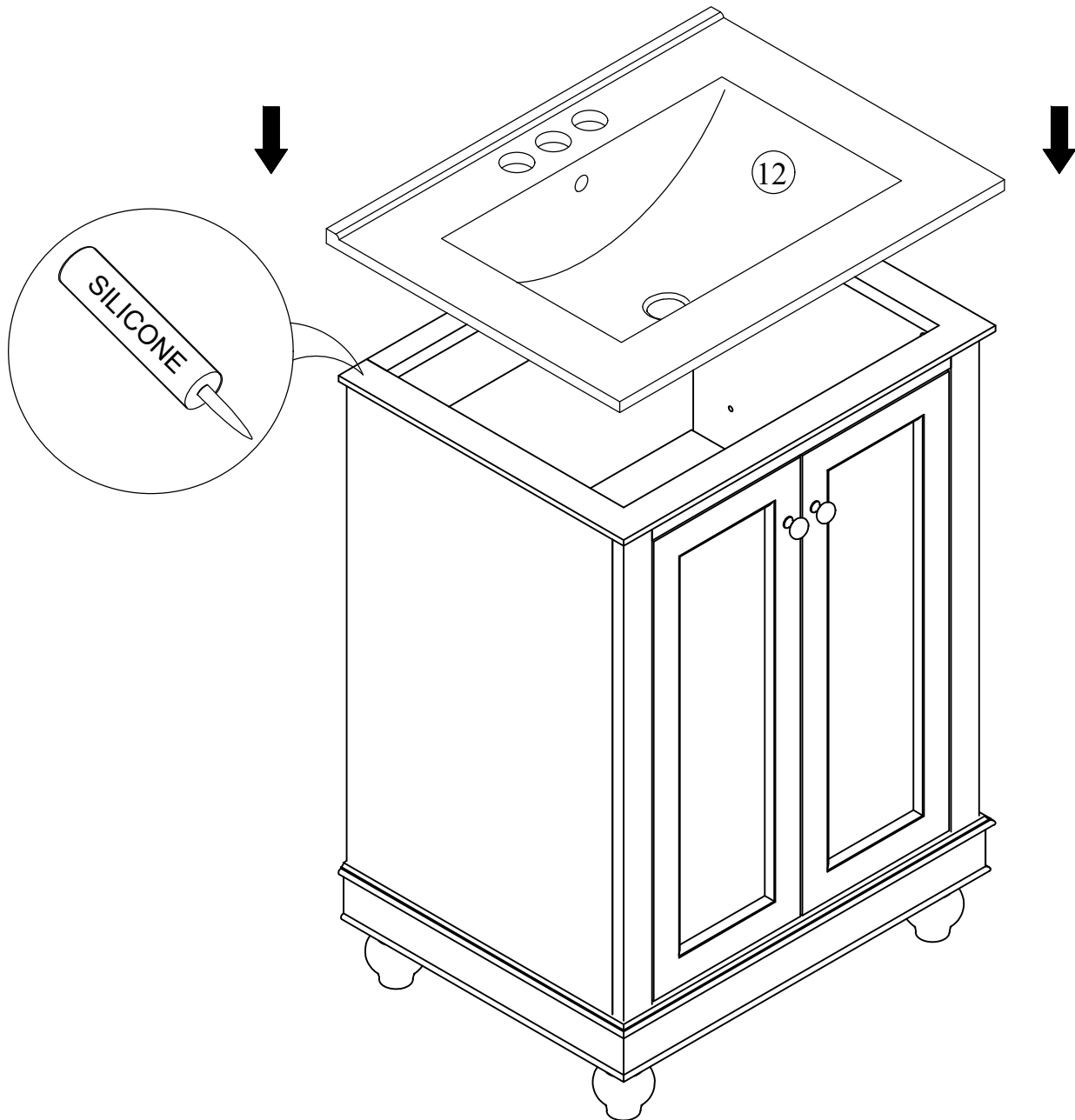


2SETS



STEP: 12

Install the sink on the cabinet with glue.
Let stand for 24 hours



*Silicone glue is not included
in the package to comply
with safety regulations in
certain shipping conditions.

STEP: 13

