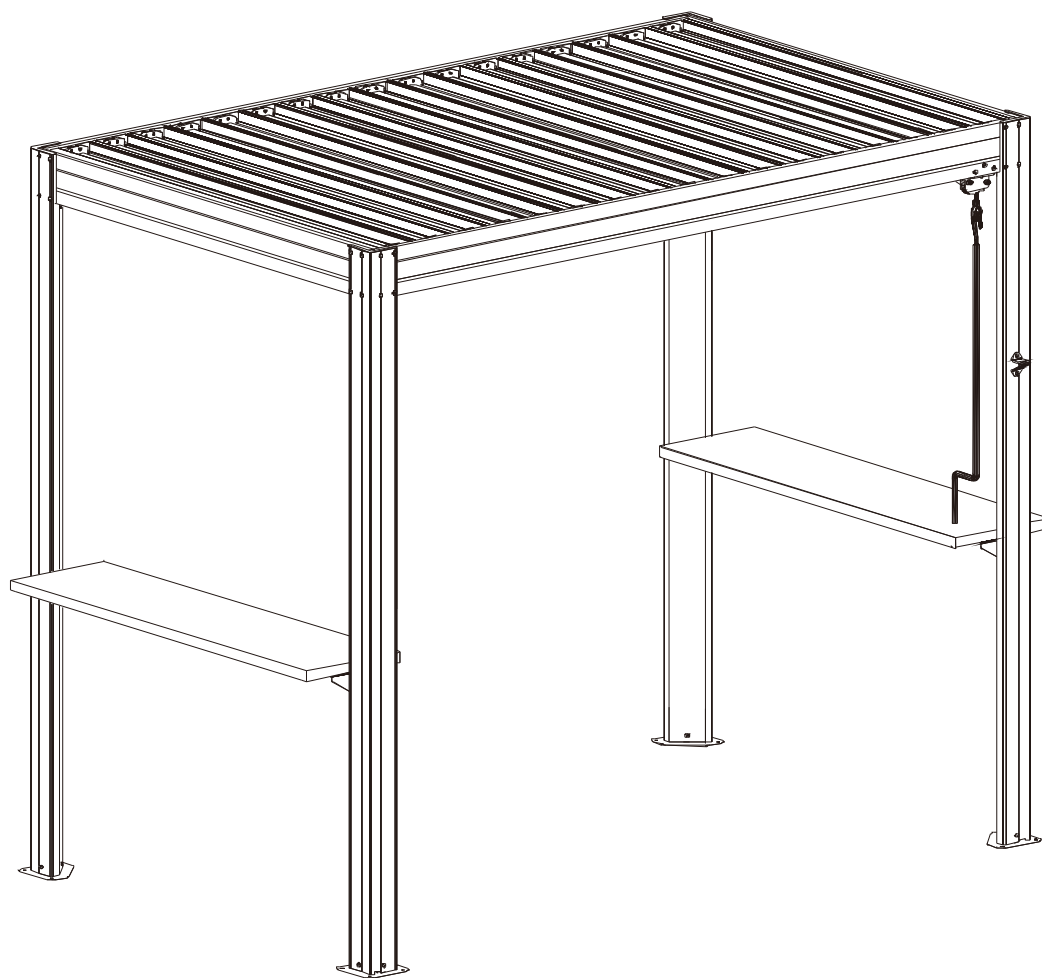


# 8' x 5' LOUVERED PERGOLA

## ASSEMBLY MANUAL



MODEL#: LGMF 1739

Missing part? Damaged? Contact us via email at

[service@domioutdoorliving.com](mailto:service@domioutdoorliving.com)

[www.domioutdoorliving.com](http://www.domioutdoorliving.com)

# READ ALL INSTRUCTIONS BEFORE USE

## Warning & Attention

-This gazebo is not a toy. Children are not allowed to assemble or disassemble. Please take care of children, do not let them play around when assemble or disassemble.

-Adults only for assemble or disassemble this product.

-This product is constructed with heavy duty frame, please do not lean or climb before it finish assembling.

-Even though our hardtop gazebo is sturdy, please do not stand under the gazebo during a lightning storm.

-DO NOT use this gazebo if any parts show signs of instability or damage.

-Maximum weight capacity is 1000 pounds.

-If moderate to heavy snow is forecast, open the lovers to avoid snow accumulating.



Three or more people are needed for assembly.



Find out and use the hex keys in the box.



One or more ladders are necessary.



A phillips screwdriver is required.



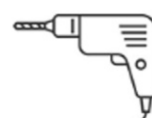
Please wear protective glove before assembly.



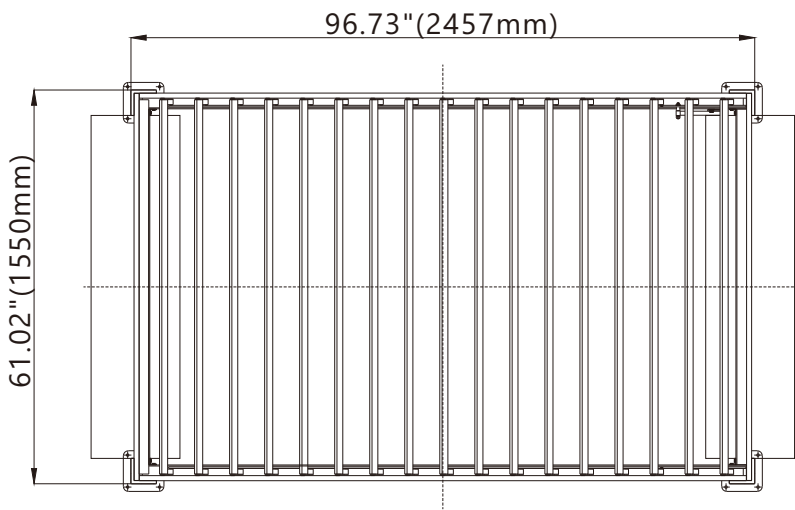
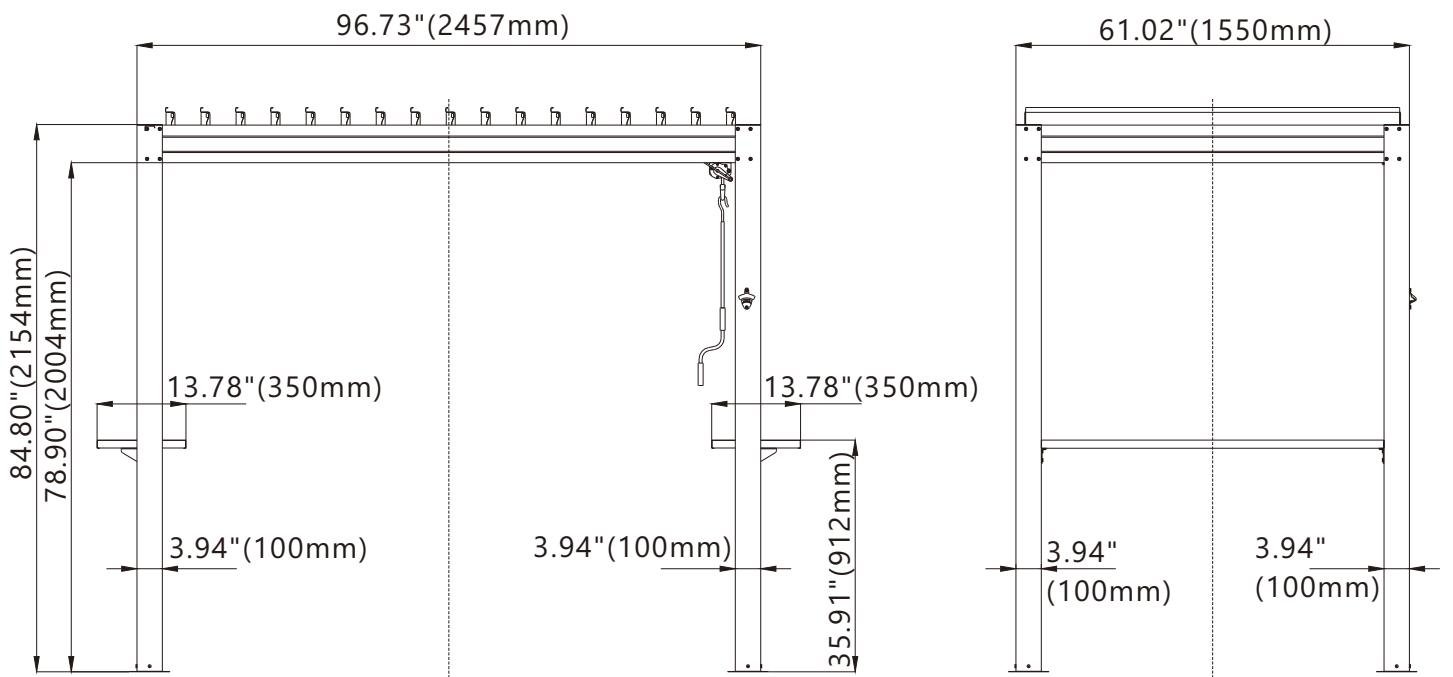
Please don't fully tighten the screws prior to complete assembly.



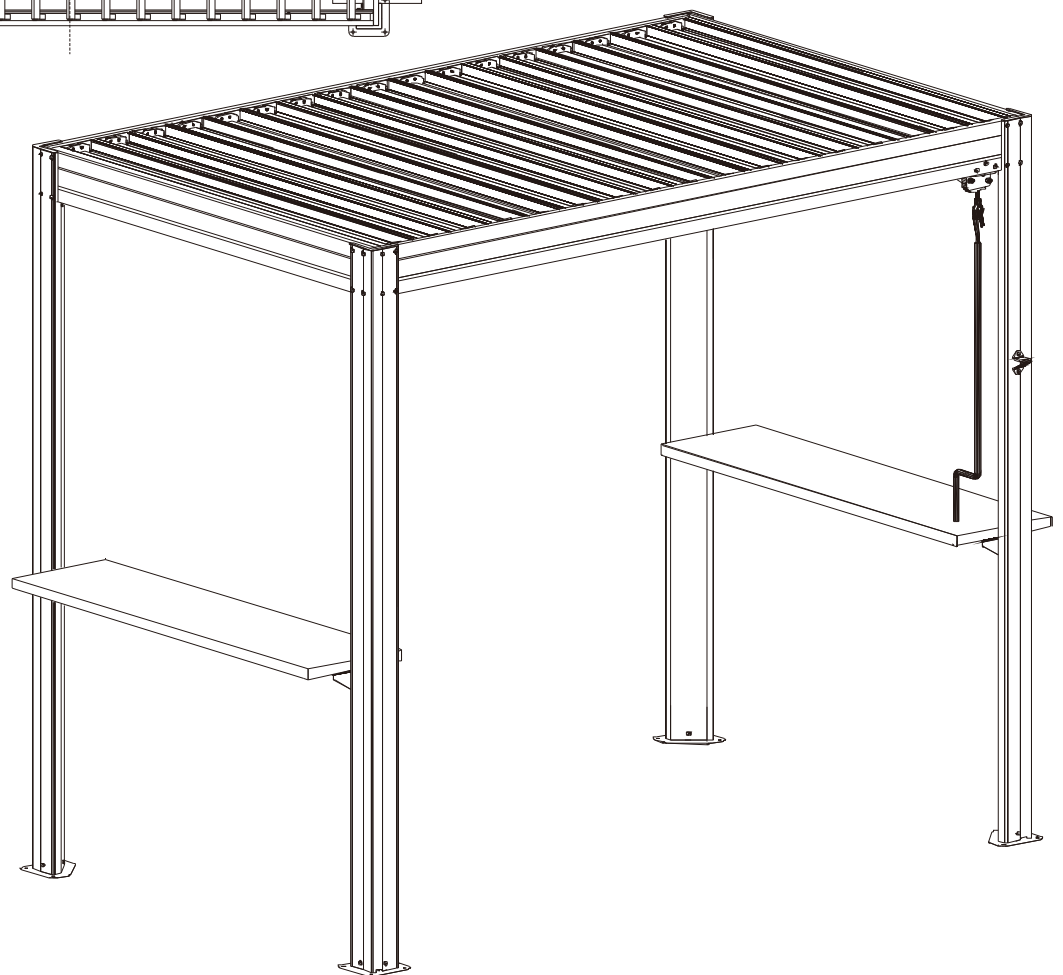
Please wear a safety hat.

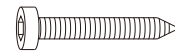
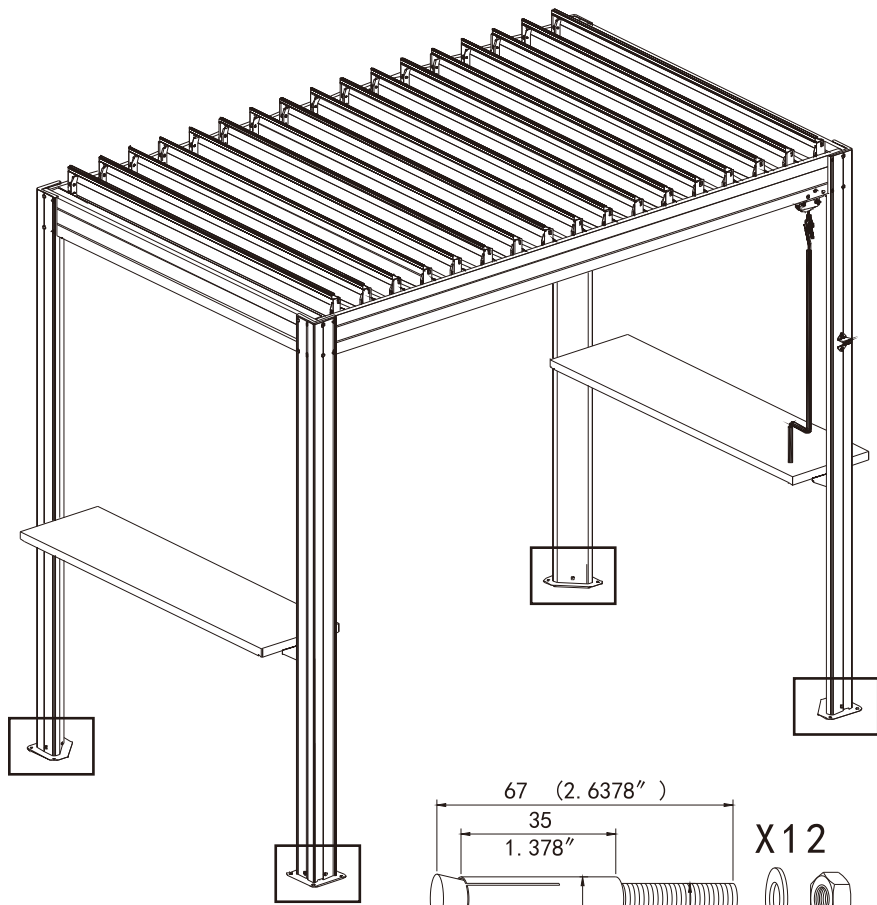


You may need prepare a drill.

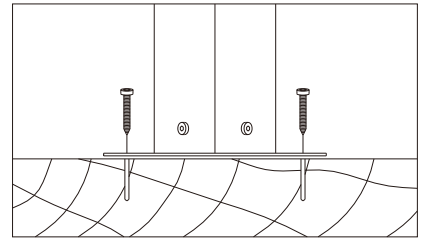


**LGMF1739**

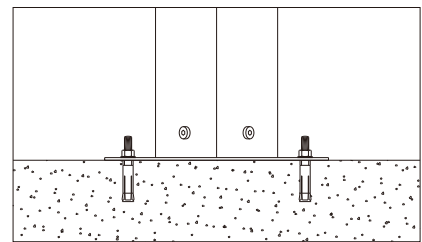




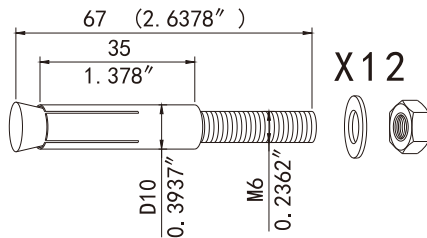
X12



If the deck is hard wood and the depth of it is over 3 inch, you can use 5/16 in. x 4 in. Structural Wood Screw to mount the pergola.



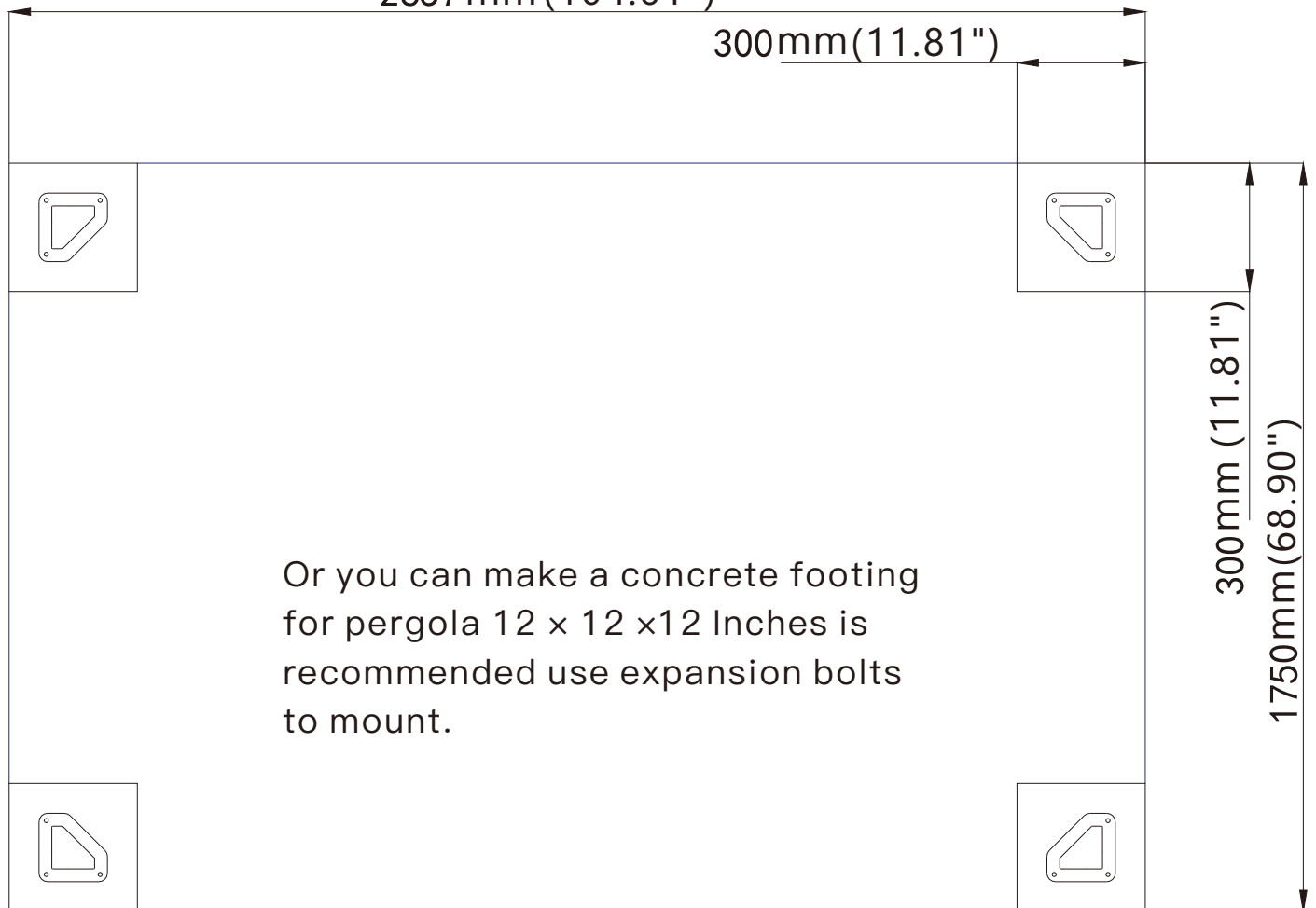
If the ground is concreted and the depth of it is over 3 inch, you can use expansion bolts to mount the pergola.



X12

2657 mm (104.61")

300mm (11.81")

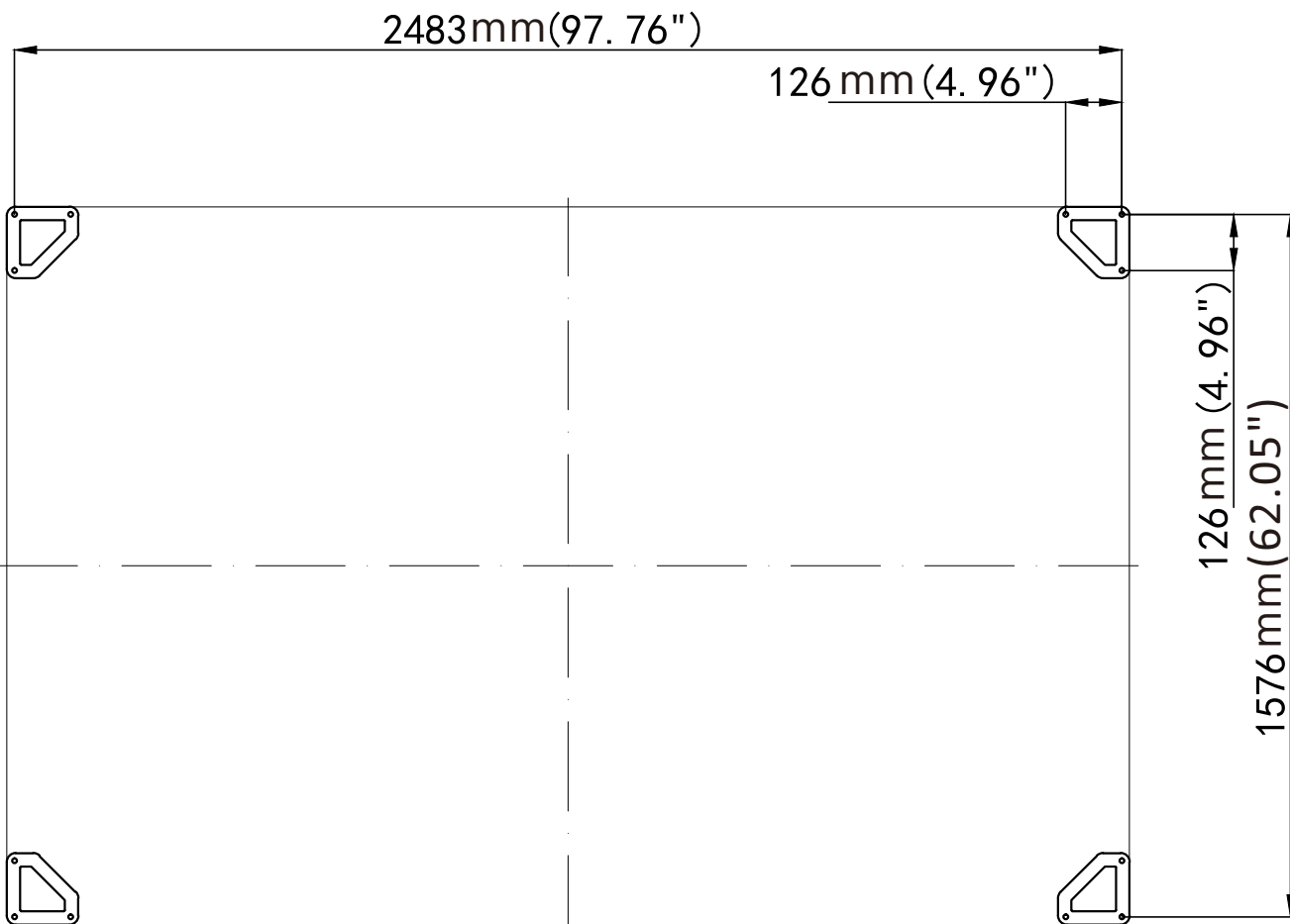



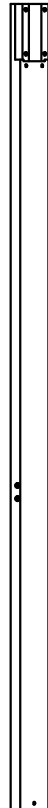
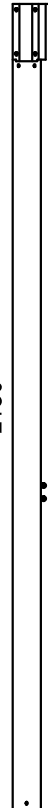
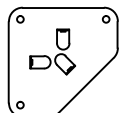
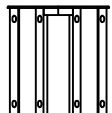


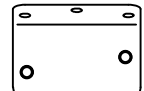
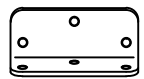


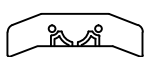

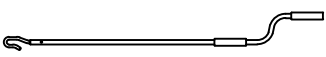
Or you can make a concrete footing for pergola 12 x 12 x 12 Inches is recommended use expansion bolts to mount.


300mm (11.81")


1750mm (68.90")

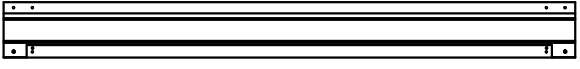
# MOUNTING BLUEPRINT Pergola 8'x 5'

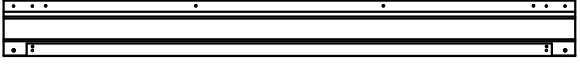


 <p>2150</p> <p>A(x1)</p>	 <p>2150</p> <p>A1(x1)</p>	 <p>2150</p> <p>A2(x2)</p>	 <p>A3(x4)</p>	 <p>A4(x4)</p>
			 <p>E(x4)</p>	 <p>E1(x4)</p>
			 <p>F(x1)</p>	 <p>F1(x1)</p>
			 <p>G(x1)</p>	 <p>G1(x1)</p>
			 <p>H(x34)</p>	 <p>K(x1)</p>
			 <p>Y(x1)</p>	

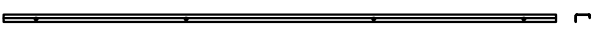
 <p>2391</p> <p>B1(x1)</p>
---

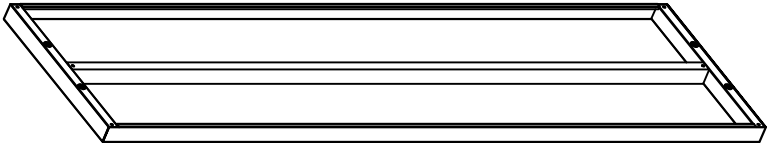
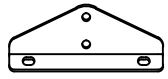
 <p>2391</p> <p>B2(x1)</p>
--

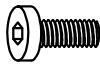

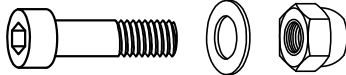
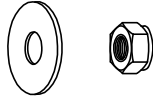
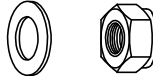




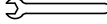
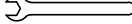
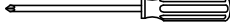
 <p>1524</p> <p>B3(x1)</p>
---

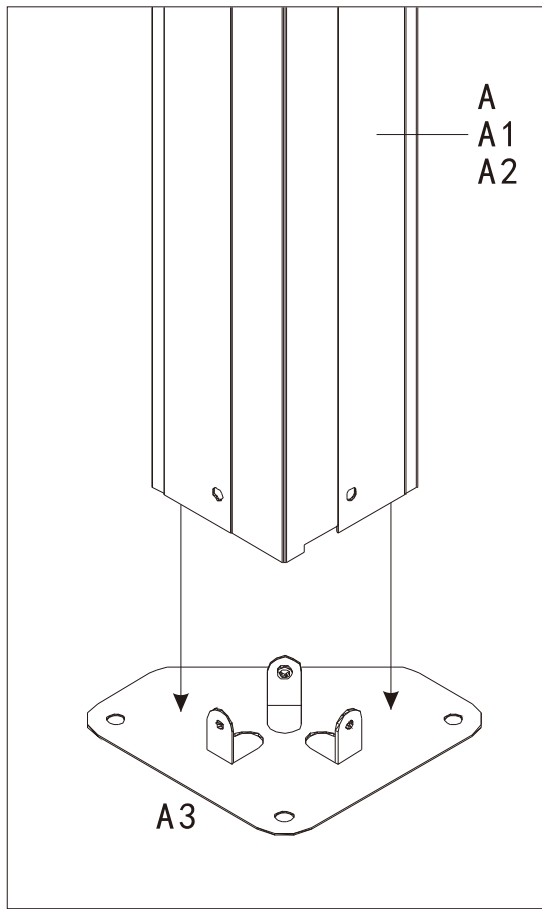
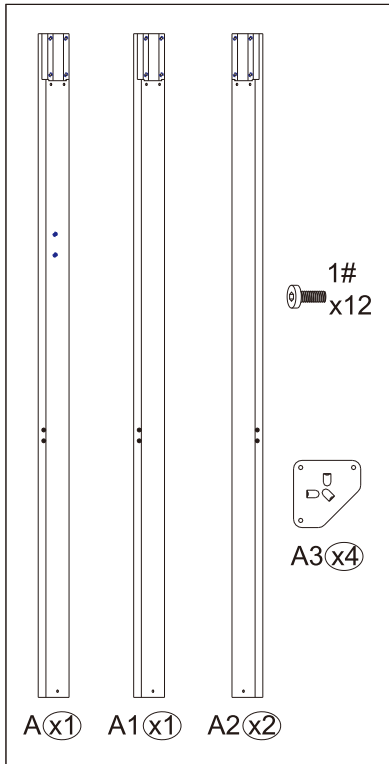
 <p>1524</p> <p>B4(x1)</p>
---

 <p>1473</p> <p>C(x17)</p>
---

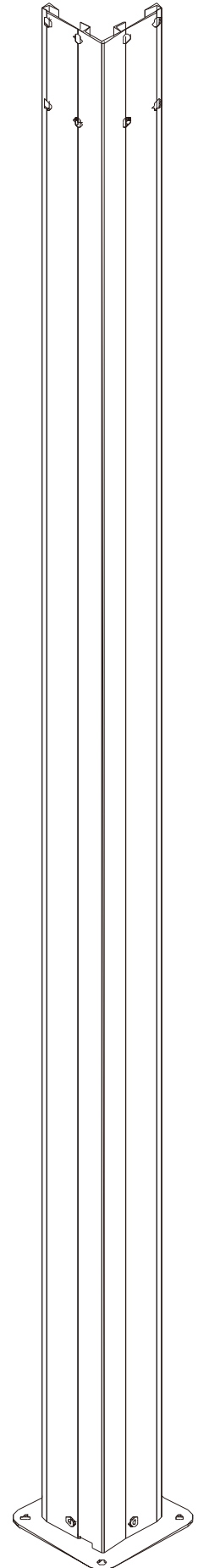
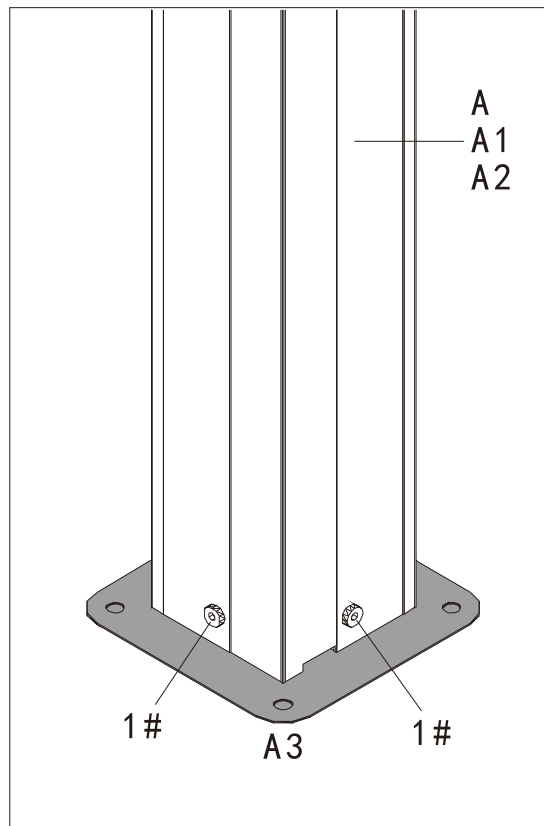
 <p>1473</p> <p>D(x1)</p>
--

 <p>Z(x2)</p>	 <p>Z1(x4)</p>
--	---

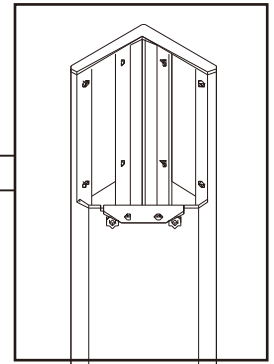
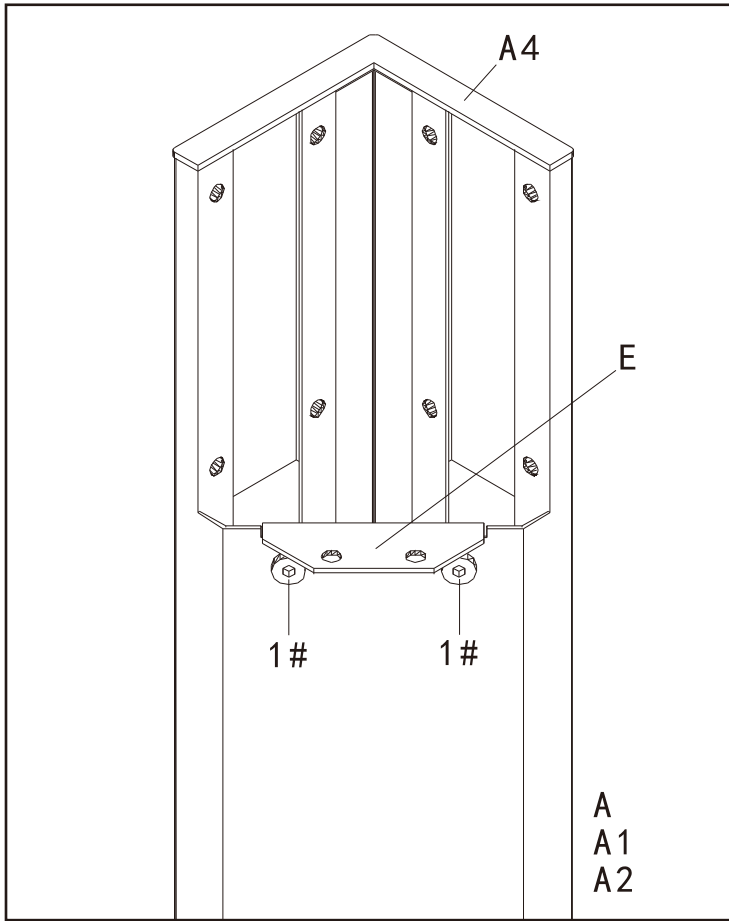
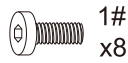
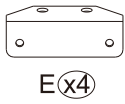
	M6x16	1# x84		
	M5x8	2# x12		
	M8x34	3# x2		
	M6	4# x1		
	M8	5# x1		
	ST3.5x16	6# x68		
	4x6	7# x68		
 S6 x1	 S4 x1	 S10 x1	 S13 x2	 x1



**Step 1:**  
Connect Part #A/A1/A2 and  
Part #A3 with 3 Bolts #1 as shown.



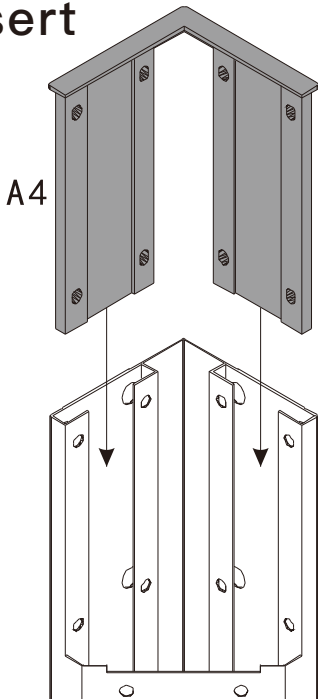
Repeat the above procedures to assemble the other Part #A2.



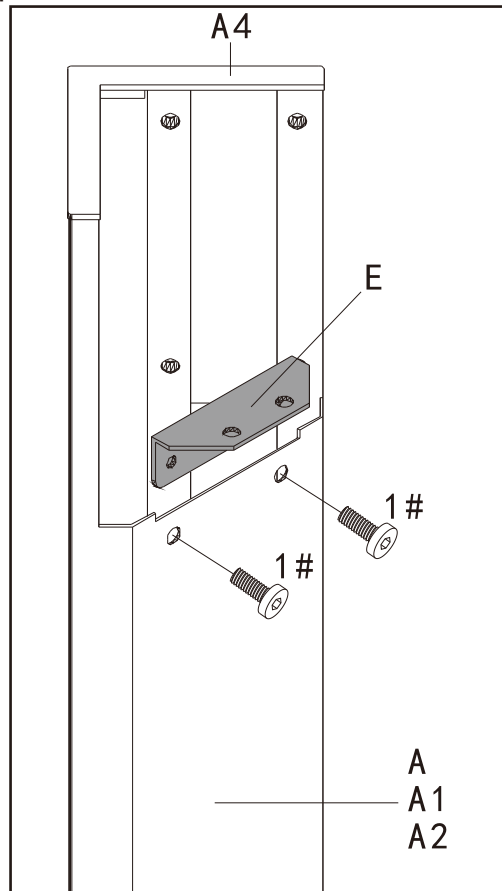
**Step 2:**

Insert part #A4, connect part #E with 2 bolts #1.

**Insert**



A  
A1  
A2



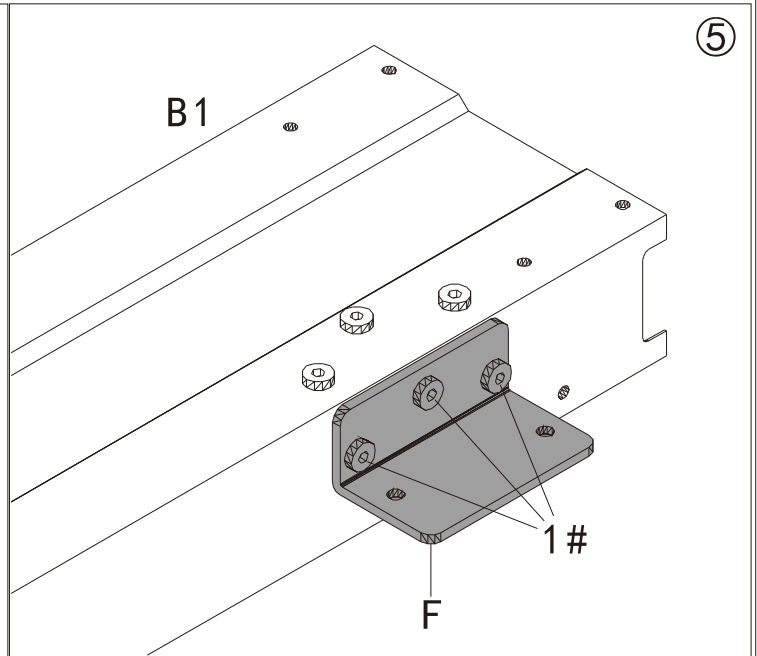
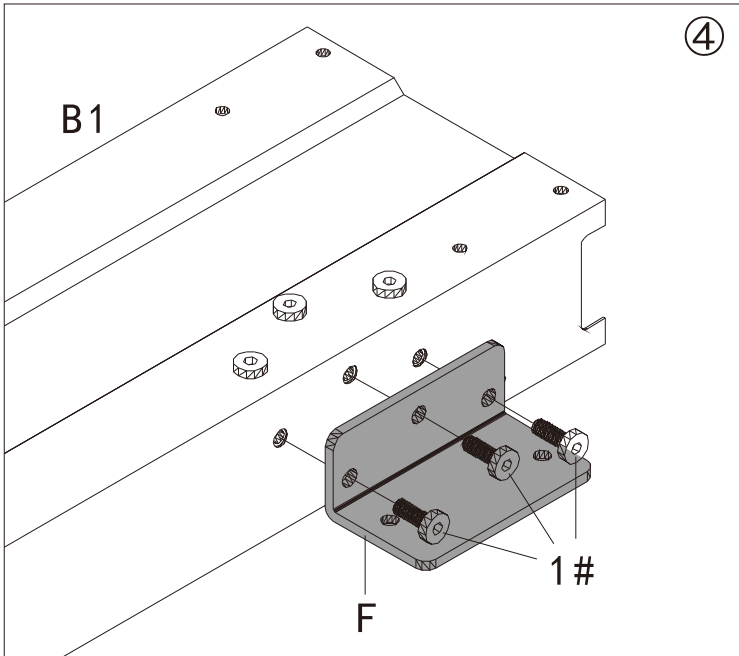
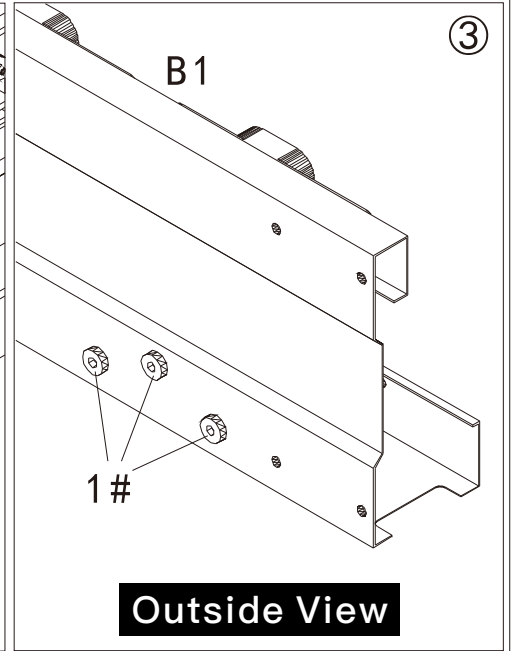
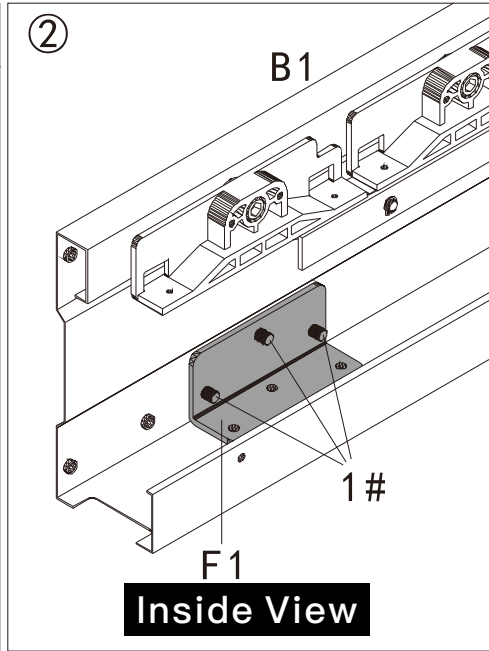
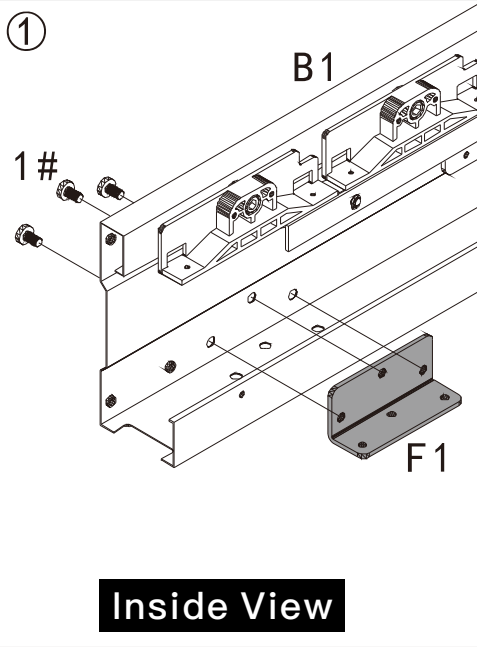
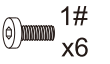
A  
A1  
A2

A  
A1  
A2



Repeat the above procedures to assemble the other 3 poles.

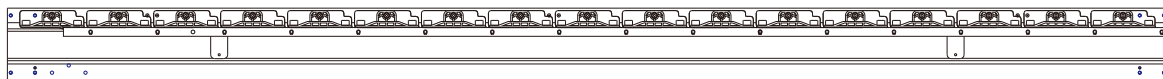
B1(x1)



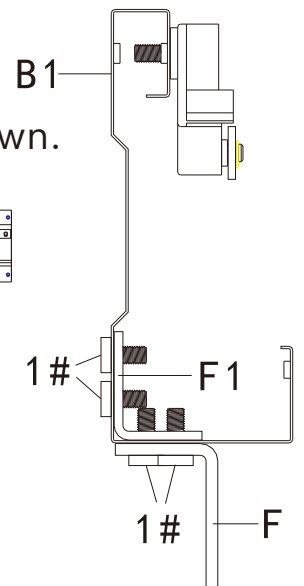
**Step 3:**

Insert Part #F1 into Part #B1. Secure with 3 Bolts #1 as shown.

B1



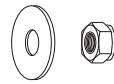
F



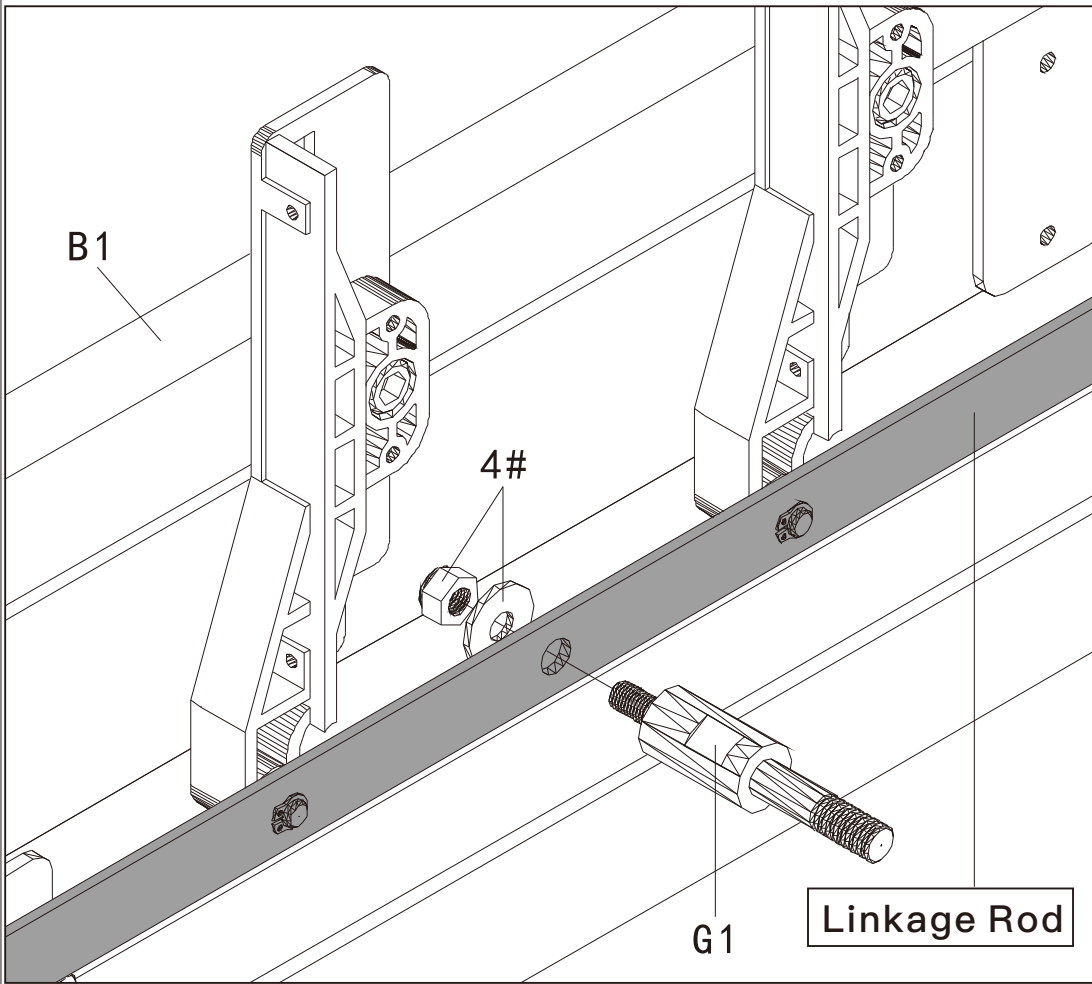
Secure Part #F with 3 bolts #1 as shown in ④, ⑤.



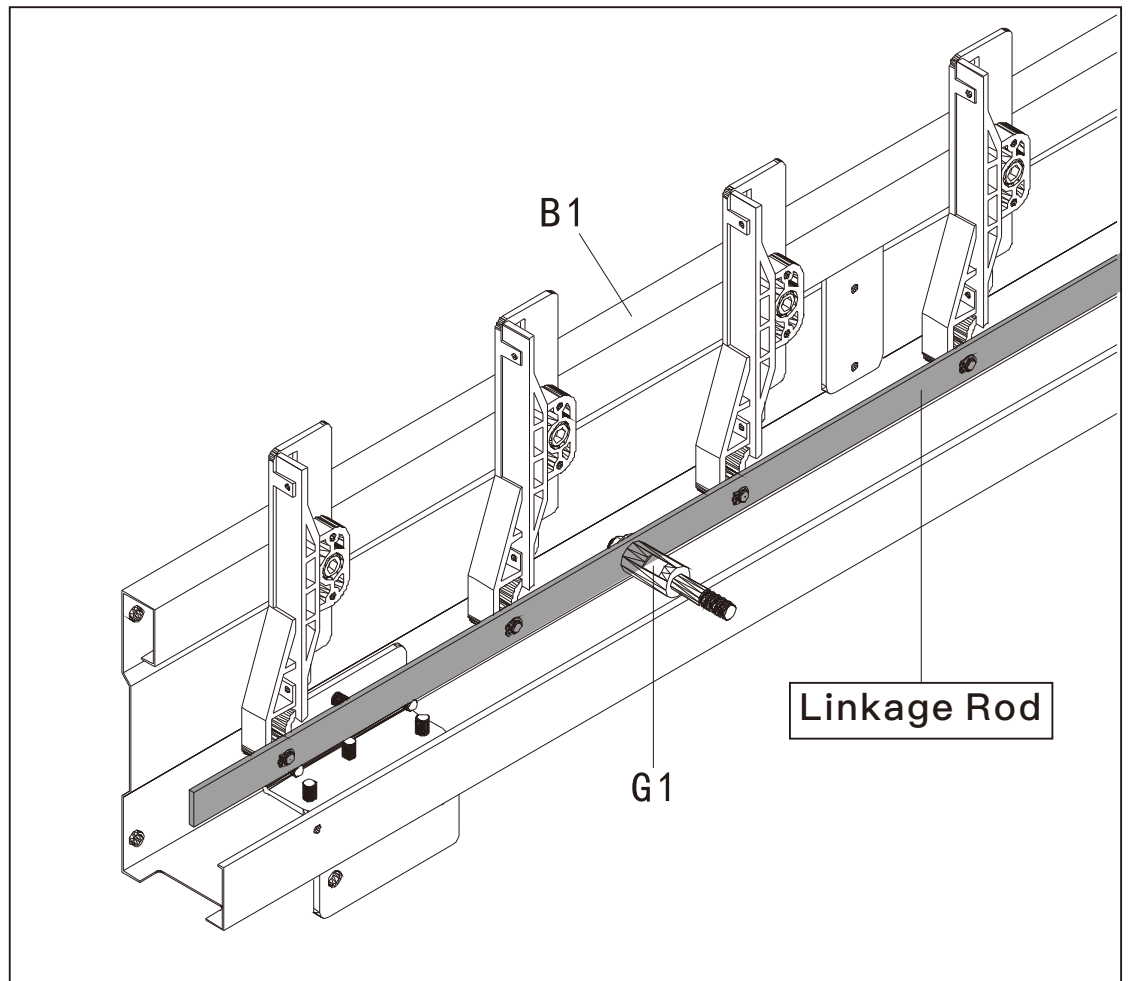
G1(x1)

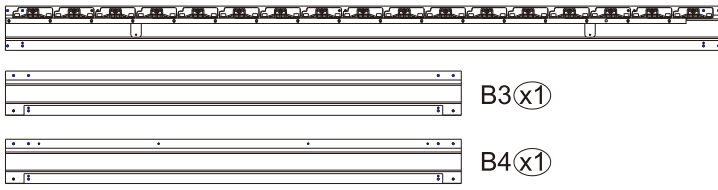


4#  
x1



**Step 4:**  
Insert Part #G1 into  
the hole on Linkage  
Rod of Beam #B1.  
Secure with nut and  
gasket #4 as shown.



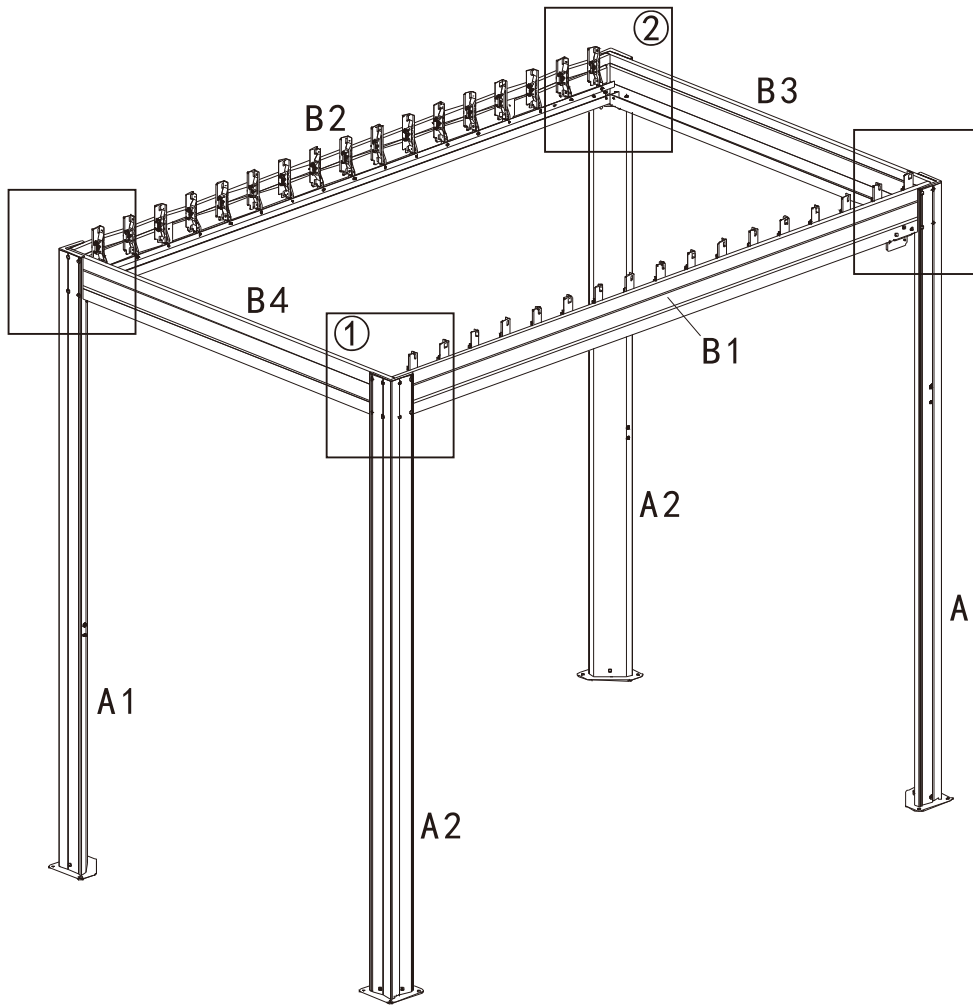


B2(x1)

B3(x1)

B4(x1)

1#  
x32



**Step 5:**

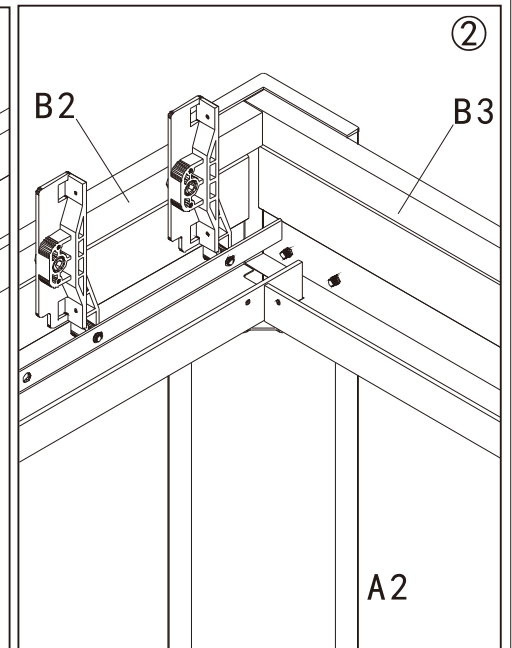
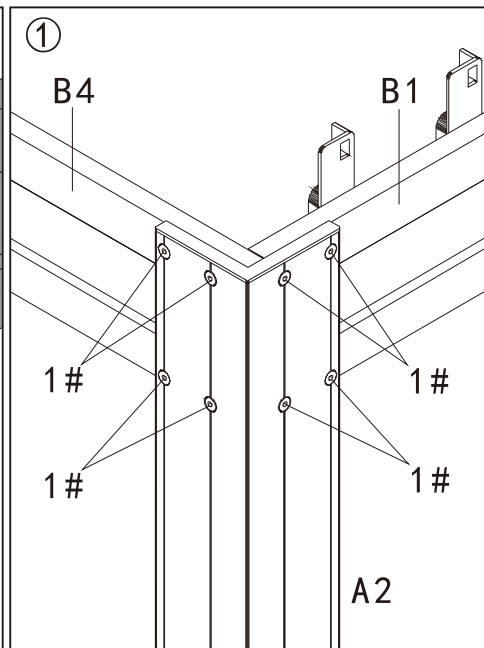
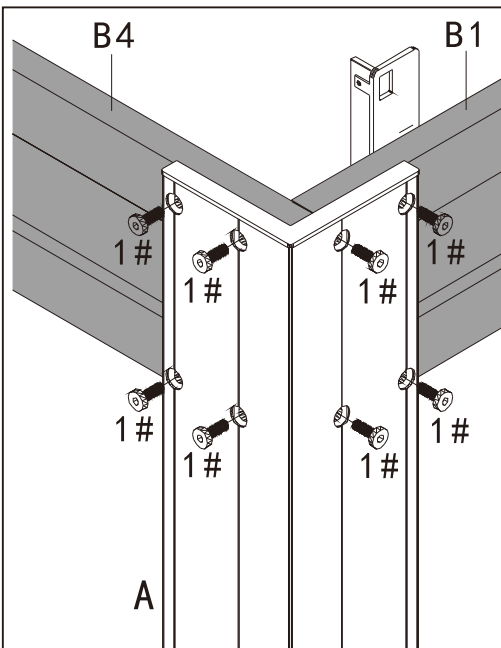
Use 8 Bolts # 1 to install Beam #B1 & #B4 with Part #A2.

Repeat the above procedures to assemble the other 3 sides.

**⚠ ATTENTION:** Don't tighten the bolts before all bolts are in the correct place.

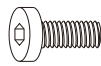
**Outside View**

**Inside View**





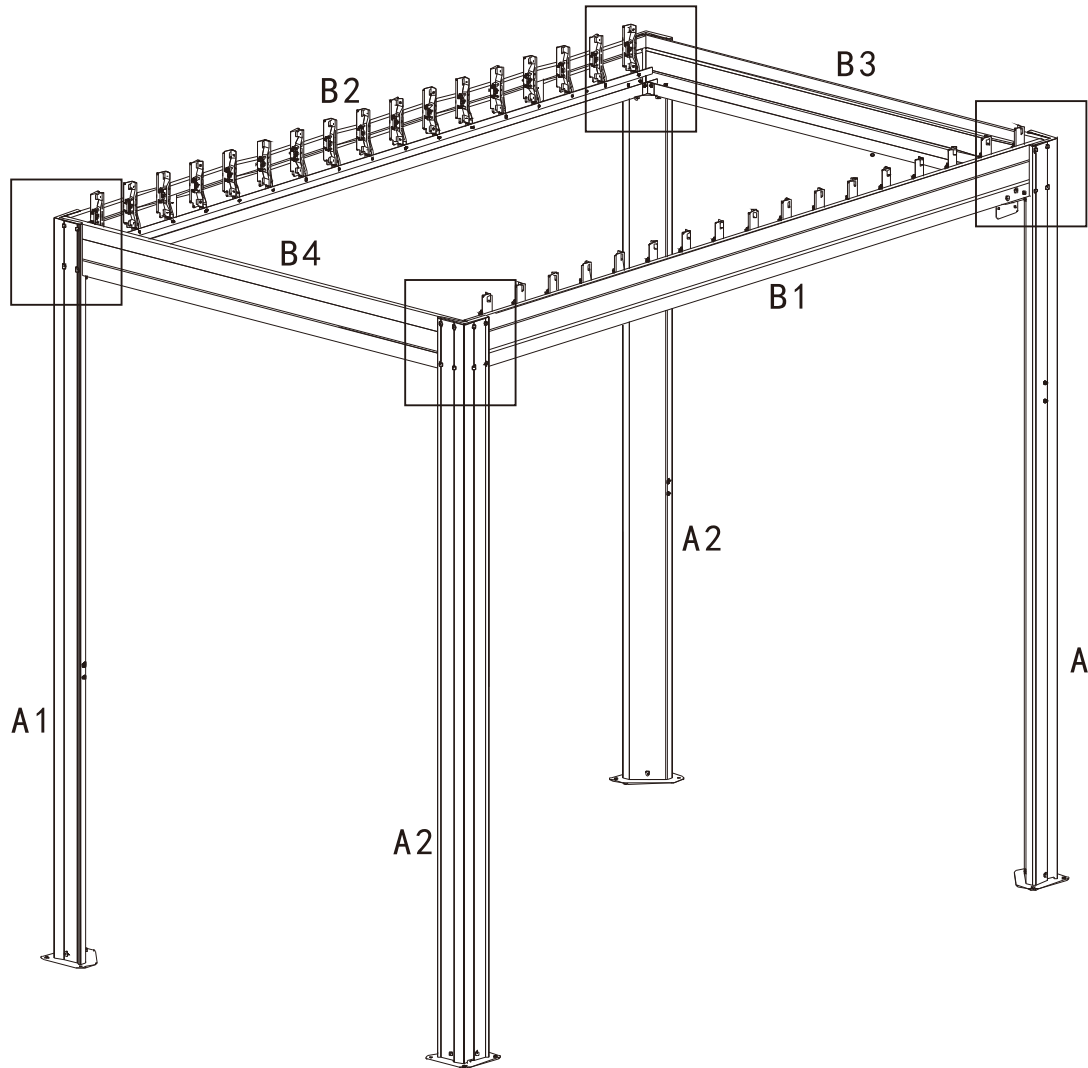
E1 x4



1#  
x8



2#  
x8



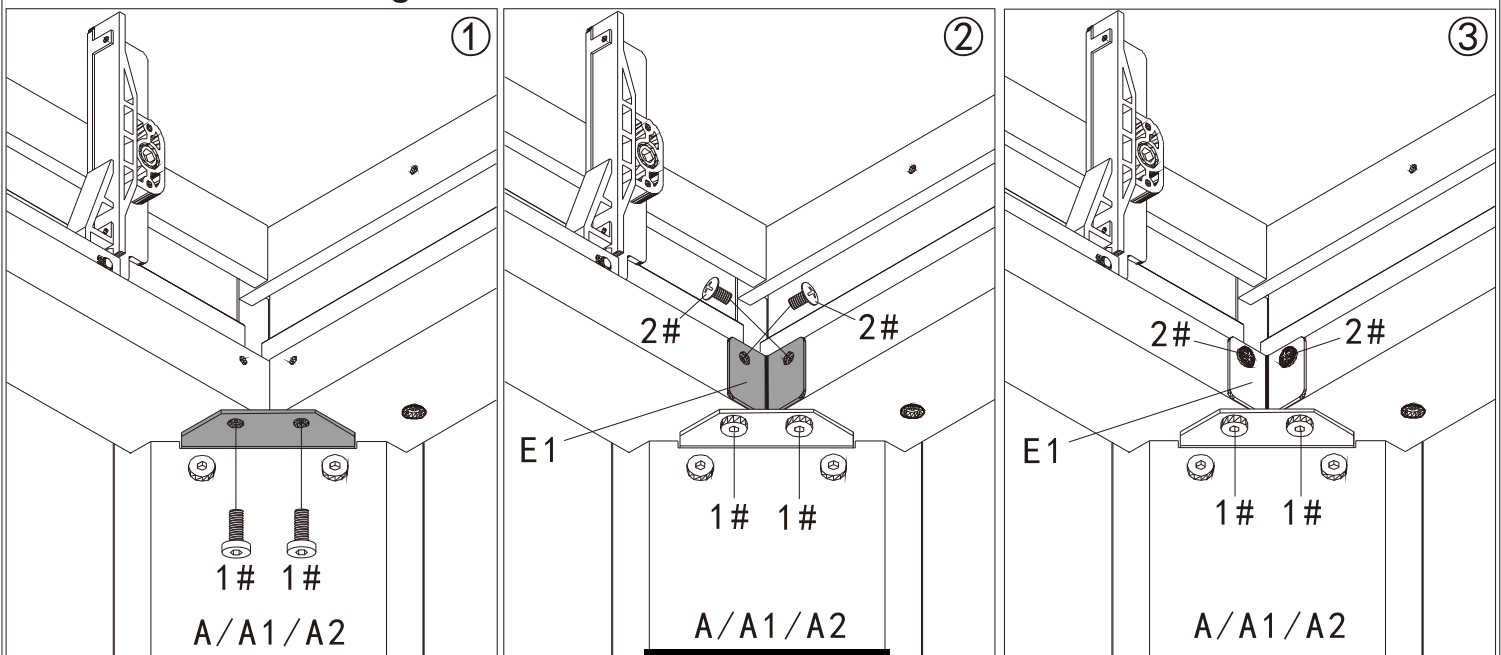
### Step 6:

①: Use 2 bolts #1 to secure part #E with 2 beams.

②: Use 2 bolts #2 to secure part #E1 with 2 beams.

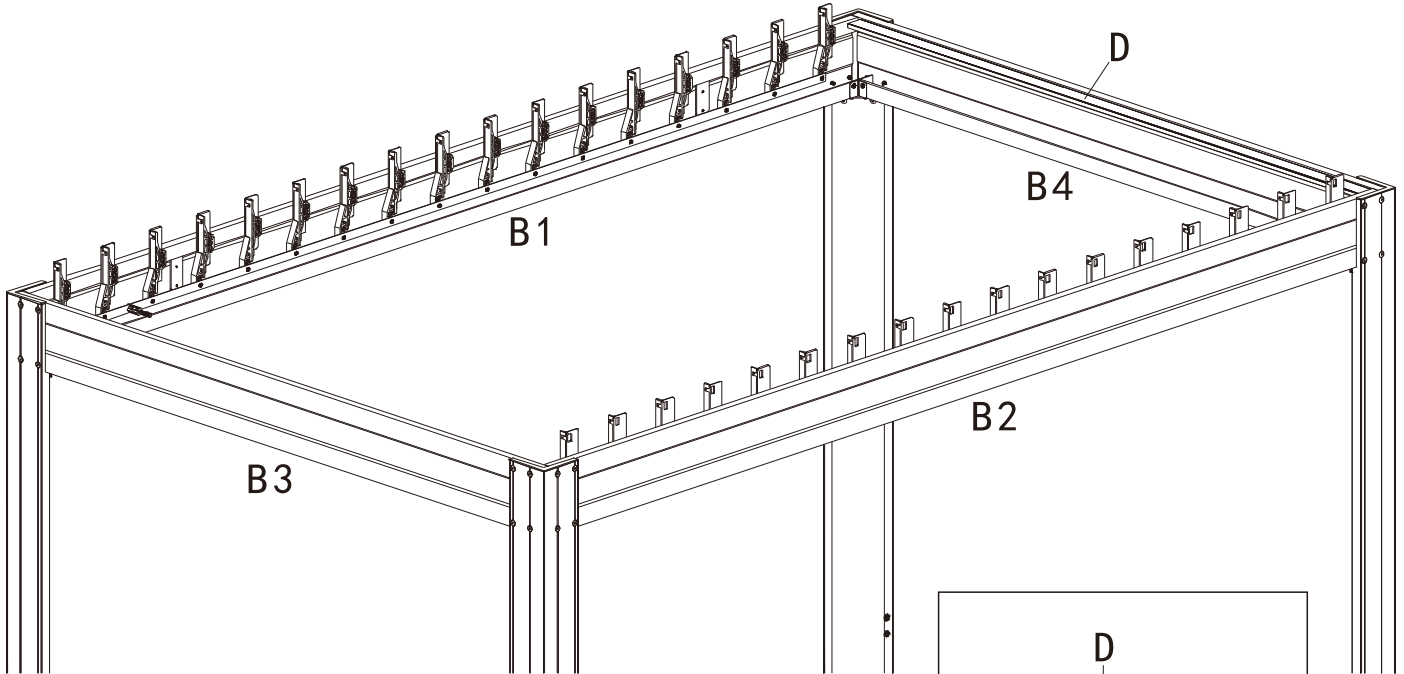
Repeat the above procedures to assemble the other 3 sides.

**⚠ ATTENTION: Tighten all the bolts.**

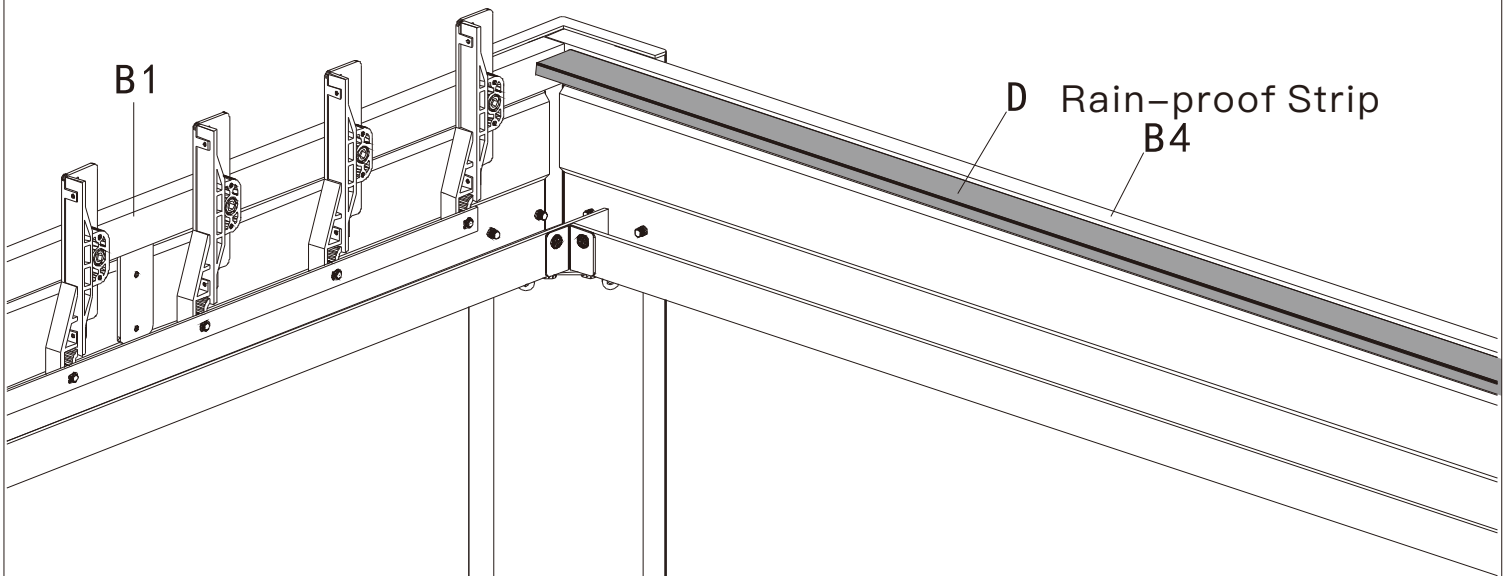
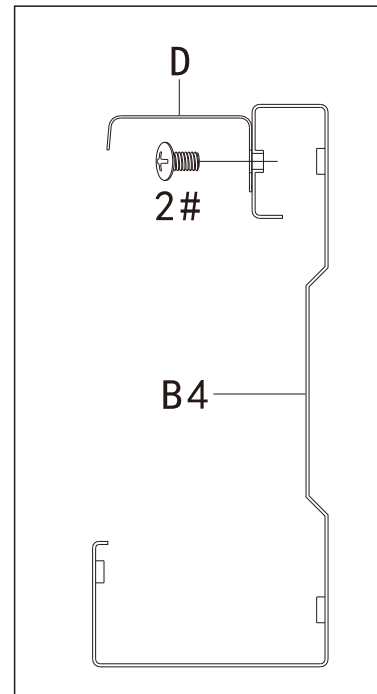


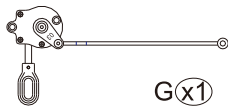
**Inside View**

# Rain-proof Strip Assembly:



**Step 7:**  
Install Part #D to the joint of  
Part B4 with 4 Bolts #2 as shown.





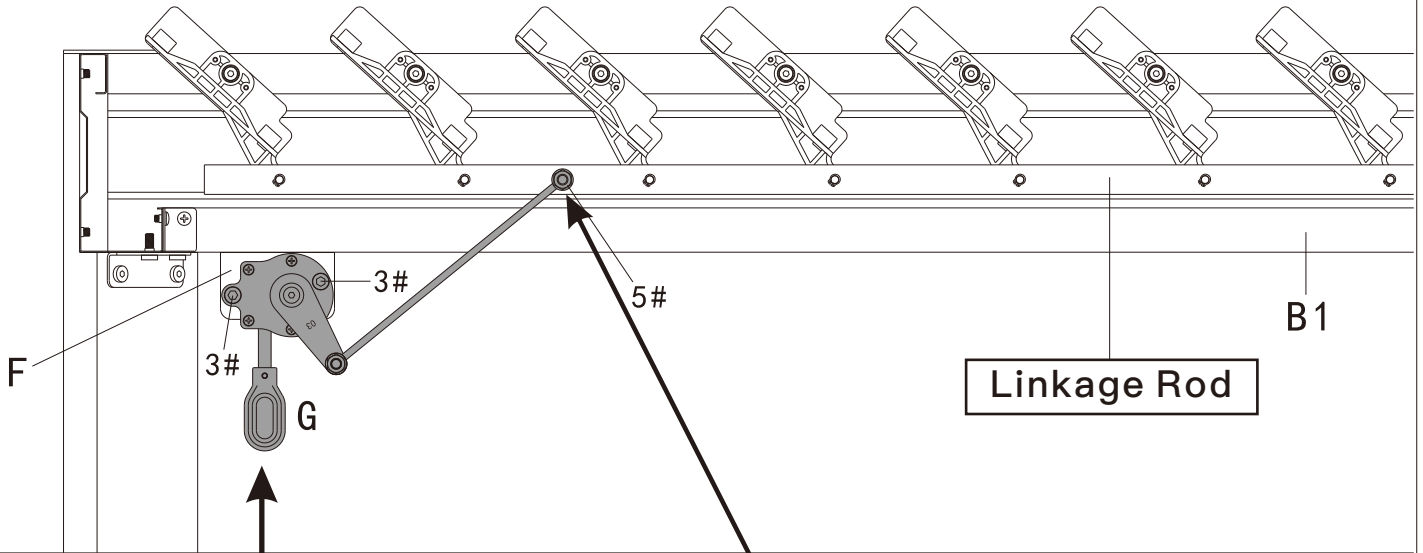
Gx1



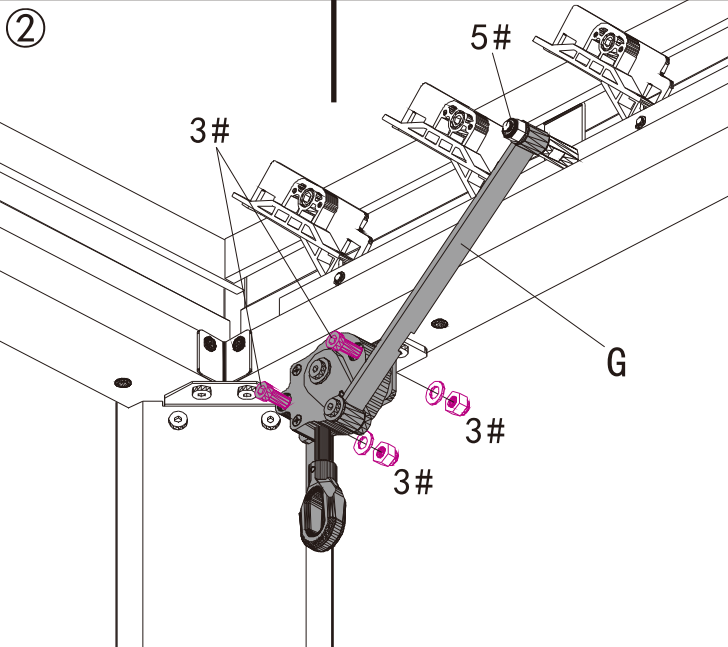
3#  
x2



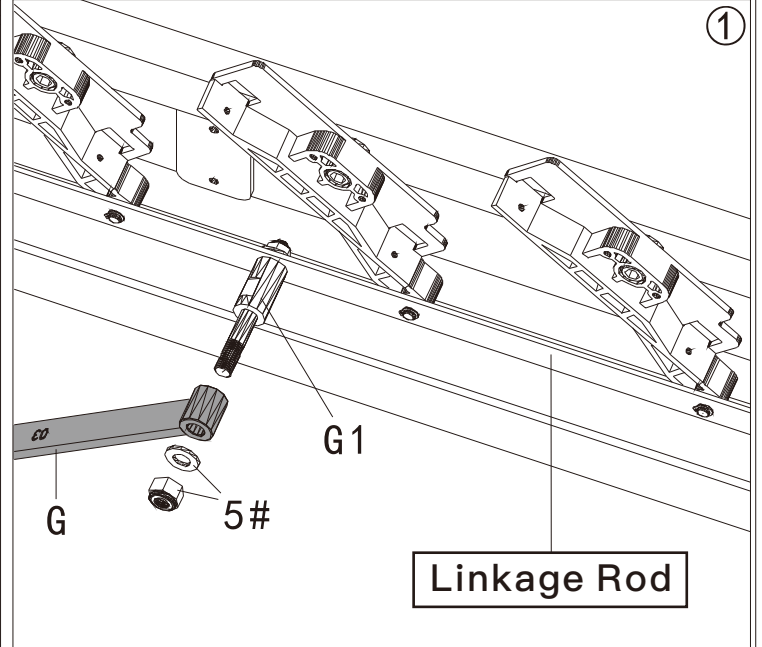
5#  
x1



Step 8:



② Use 2 bolts, gaskets and nuts #3 to fix part #G with bracket #F.



① Insert the connecting rod end of Part #G into Part #G1 and secure with 1 nut and gasket #5.



C x 17



H x 34



6#  
x 68



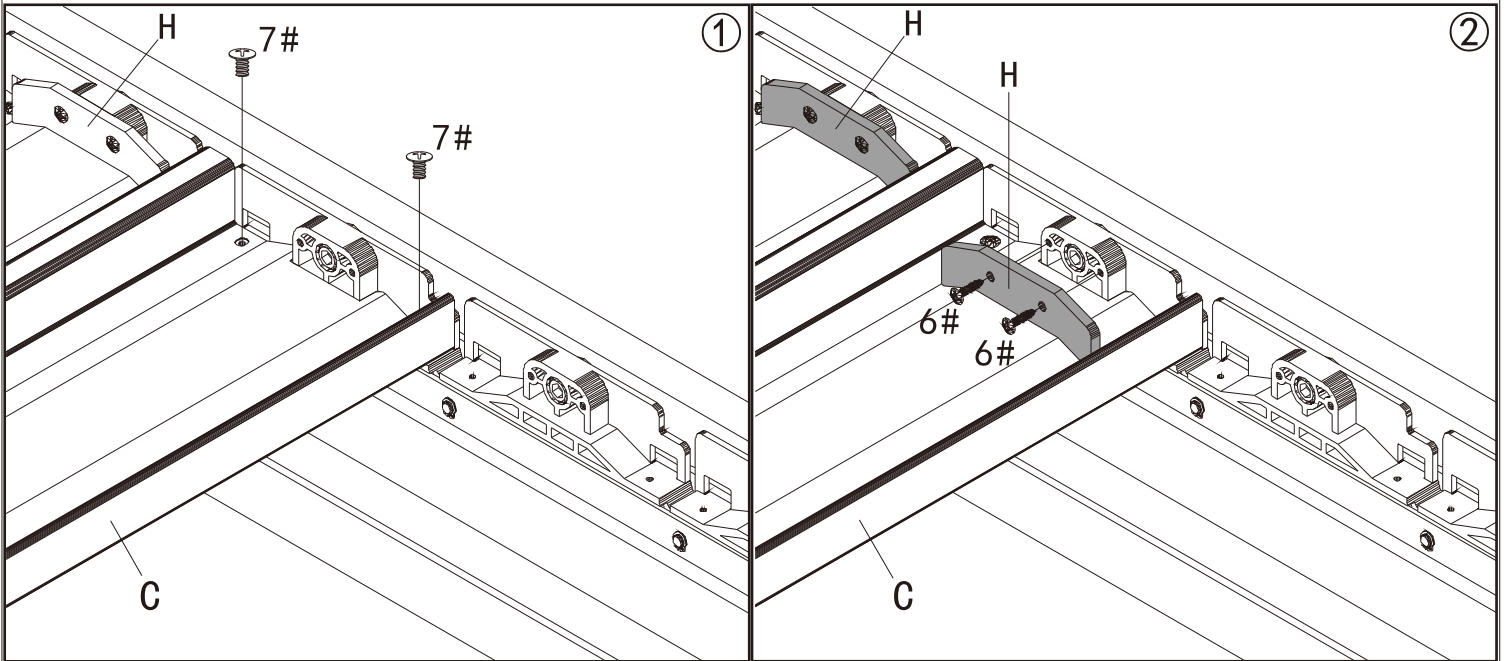
7#  
x 68

### Step 9:

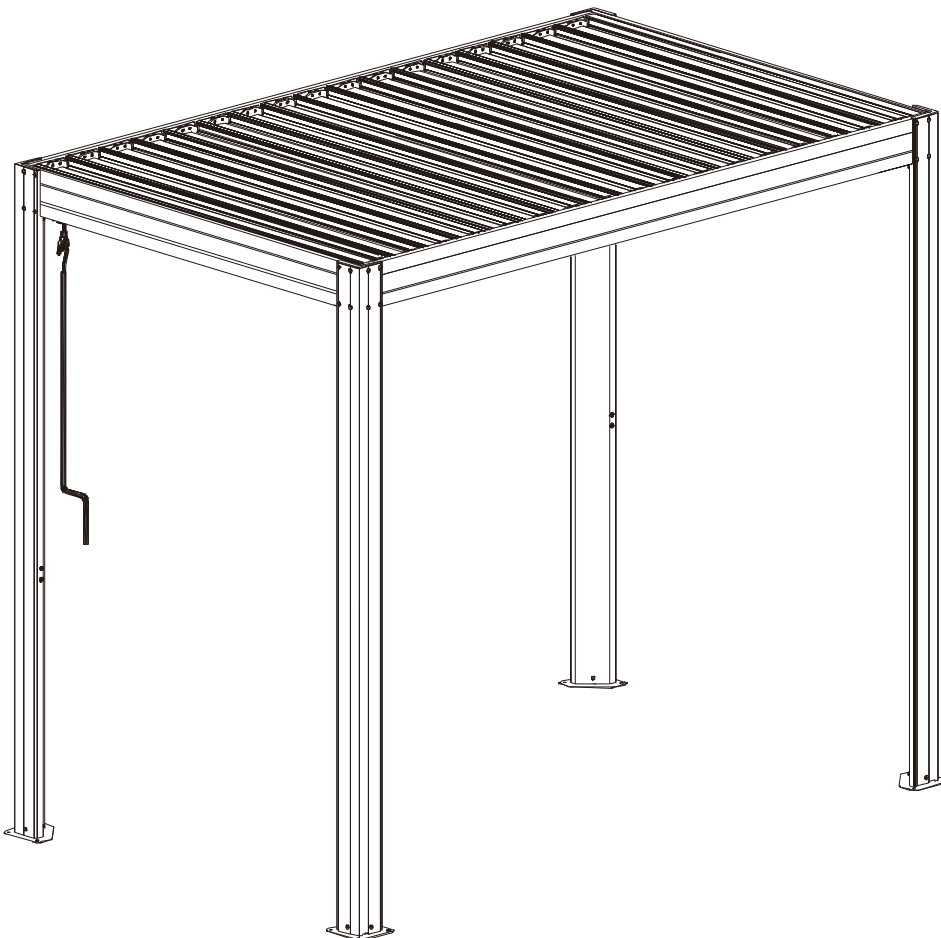
Place the roof panel, align the holes and fix with bolts #7.

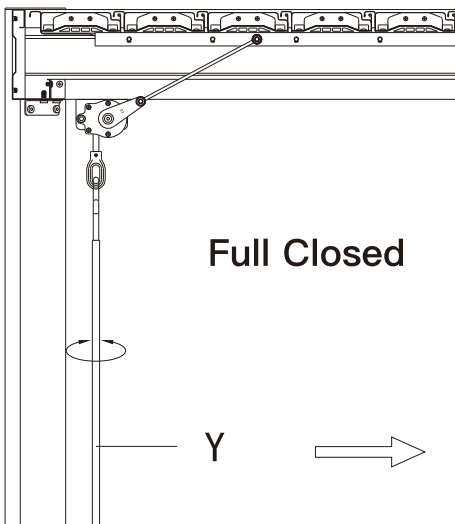
### Step 10:

Insert part #H, and secure with screws #6

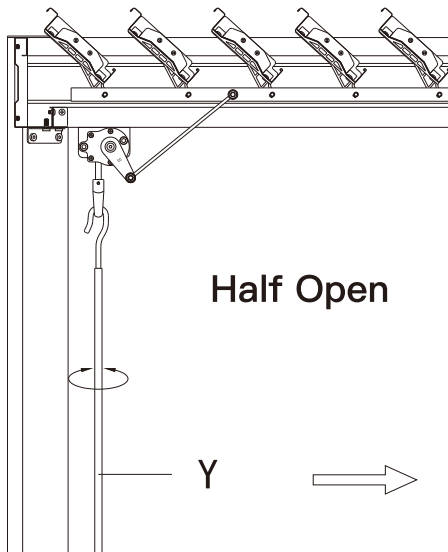


**\* If moderate to heavy snow is forecast, Please open the louvers to avoid snow accumulating.**

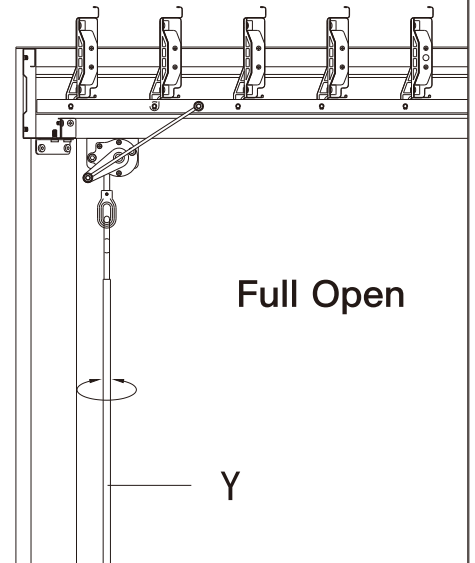




Full Closed



Half Open

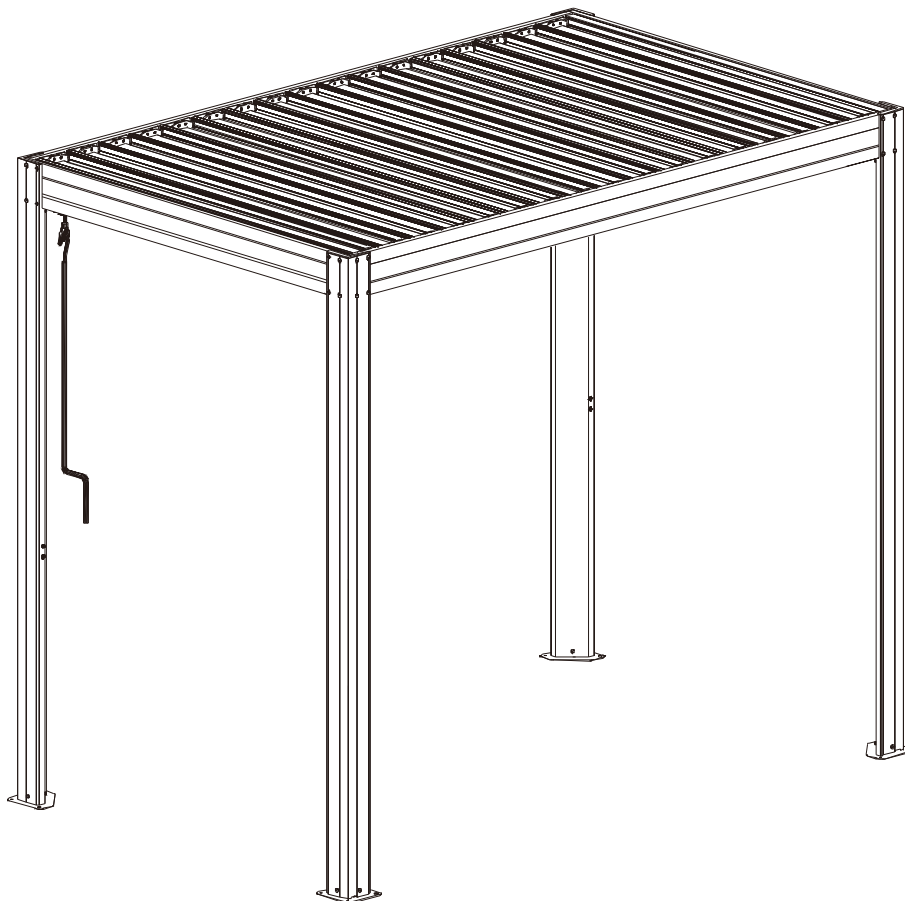


Full Open

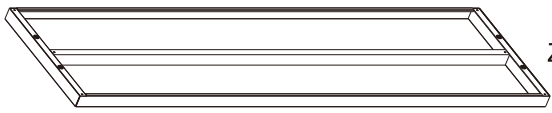
### Step 11:

Just shake the roller rod anytime you want let the sun in or block the sunray.

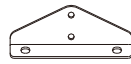
⚠ (ATTENTION: Louvers can be opened and closed in cycles.)



⚠ Please confirm the louvers can be fully closed for waterproofness.



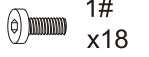
Z x2



Z1 x4

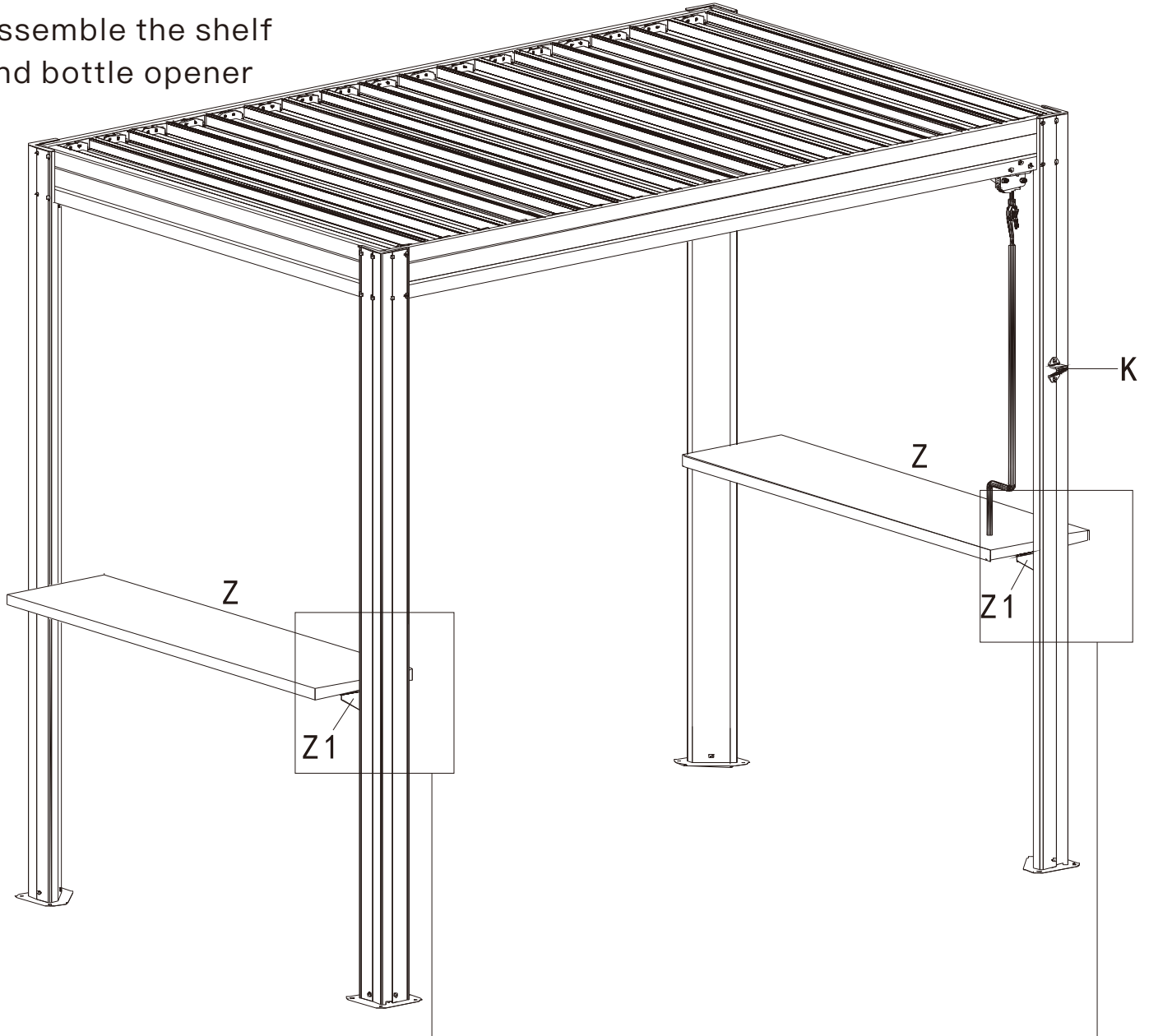


K x1



1#  
x18

Assemble the shelf  
and bottle opener



Z

1#

1#

Z1

1#

Bottom View

1#

K

1#

# Thanks for your purchase.

At domi outdoor living, we believe in our products.

That's why we provide a 12-month warranty and friendly, easy-to-reach after-sales service. So, if you have any questions about our product or assembly, please feel free to contact us. We are here for you.

**Support:**



**After-sales contact email:**

[service@domioutdoorliving.com](mailto:service@domioutdoorliving.com)

Please have your order ID available if you reach out for support.

If you have damaged parts or product, please send us photos for an immediate response.