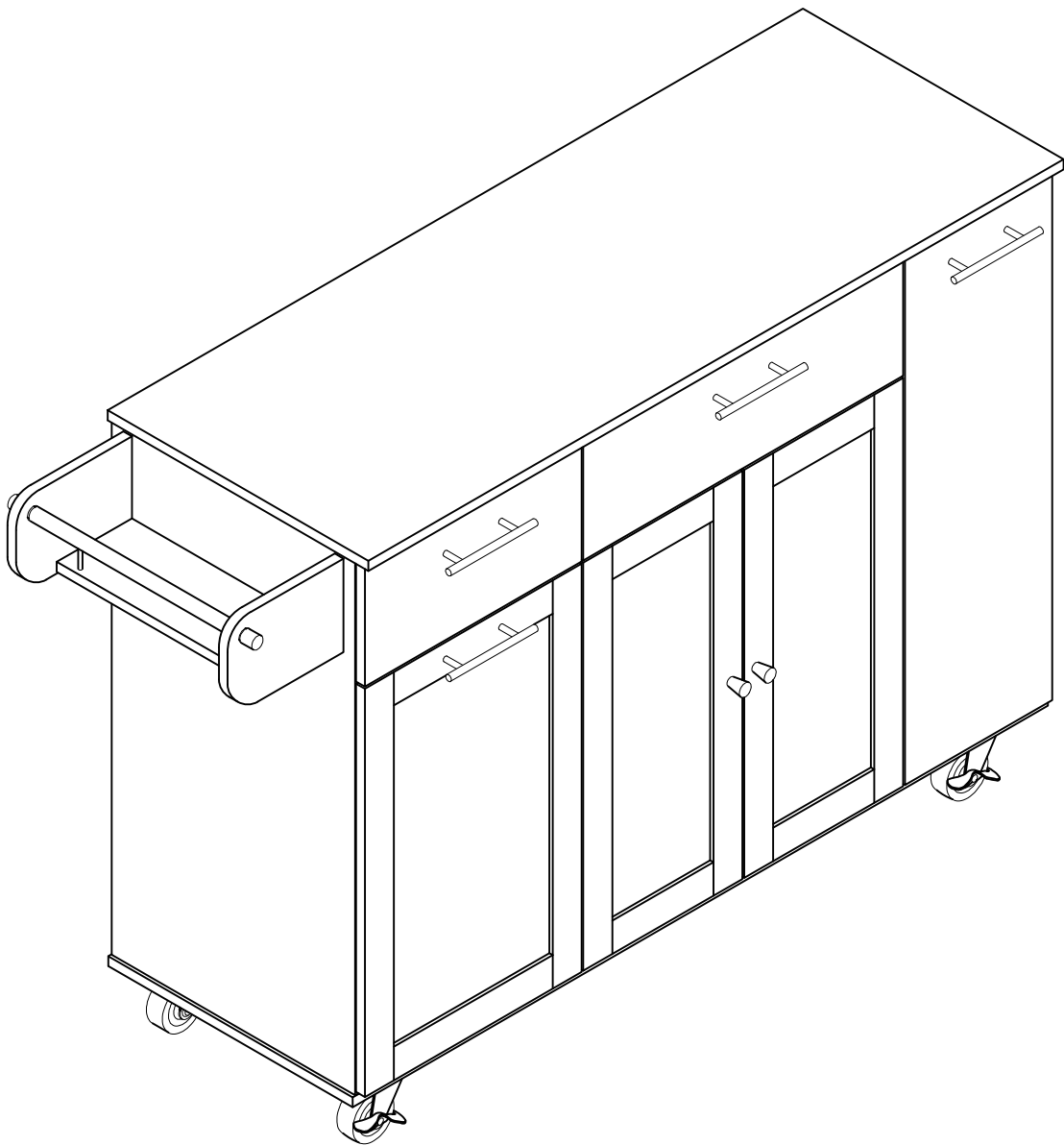
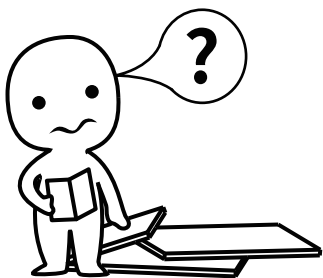


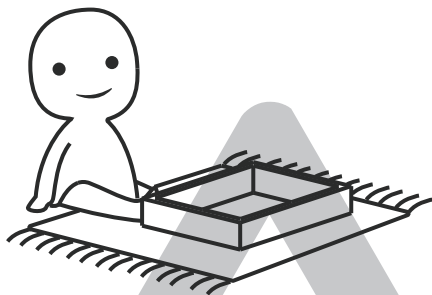
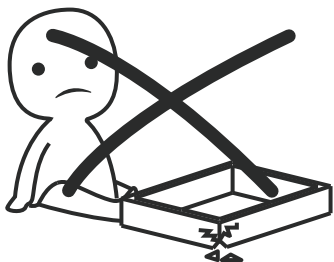
ASSEMBLY INSTRUCTION





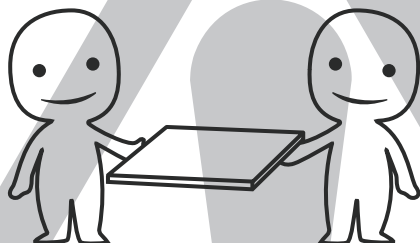
IMPORTANT INFORMATION!

Please read the entire manual before starting to assemble and/or using this product follow the manual thoroughly and keep it for further reference.



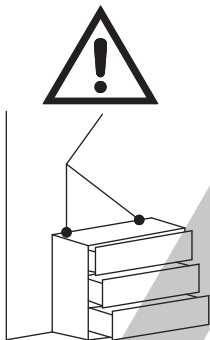
AVOID SCRATCHES!

In order to avoid scratching this furniture should be assembled on a soft layer-could be a rug.



IMPROVE EFFICIENCY !

Try to find a partner to install with you, which can speed up the installation efficiency and shorten the time.



ANTI-TOPPLE WARNING !

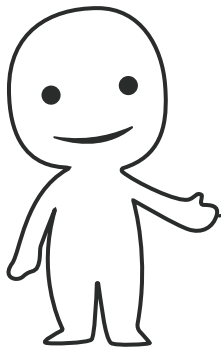
Overturnd furniture can cause serious or fatal crush injuries. To prevent tipping over, be sure to use the wall attachment, if not included with this product. Please purchase the wall attachment that fit your wall. If unsure, seek professional advice. Please read and follow each step of the instructions carefully.

IMPORTANT !

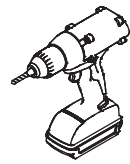
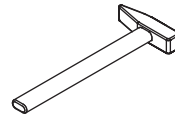
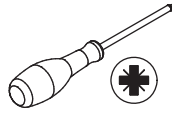
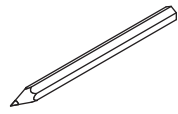
It is important that any product which is assembled using any kind of screw is re-tightened 2 weeks after assembly, and once every 3 months - in order to assure stability through-out the lifespan of the product.

For regular maintenance and cleaning of the product, for the frame, please use a rag dipped in neutral detergent to fully wipe it, and then dry it with a clean rag. For glass materials, wipe with a rag dampened with water glass cleaner, and then dry with a dry rag.

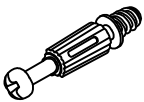

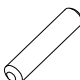

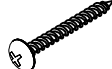

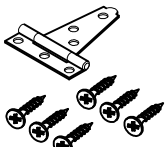
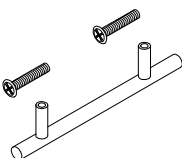


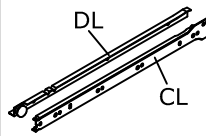
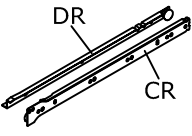
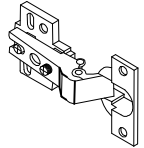
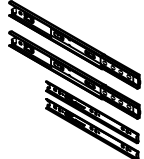
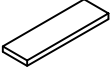







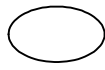
Do not use an electric screwdriver, and do not use too much force when installing, because the board is easy to break.

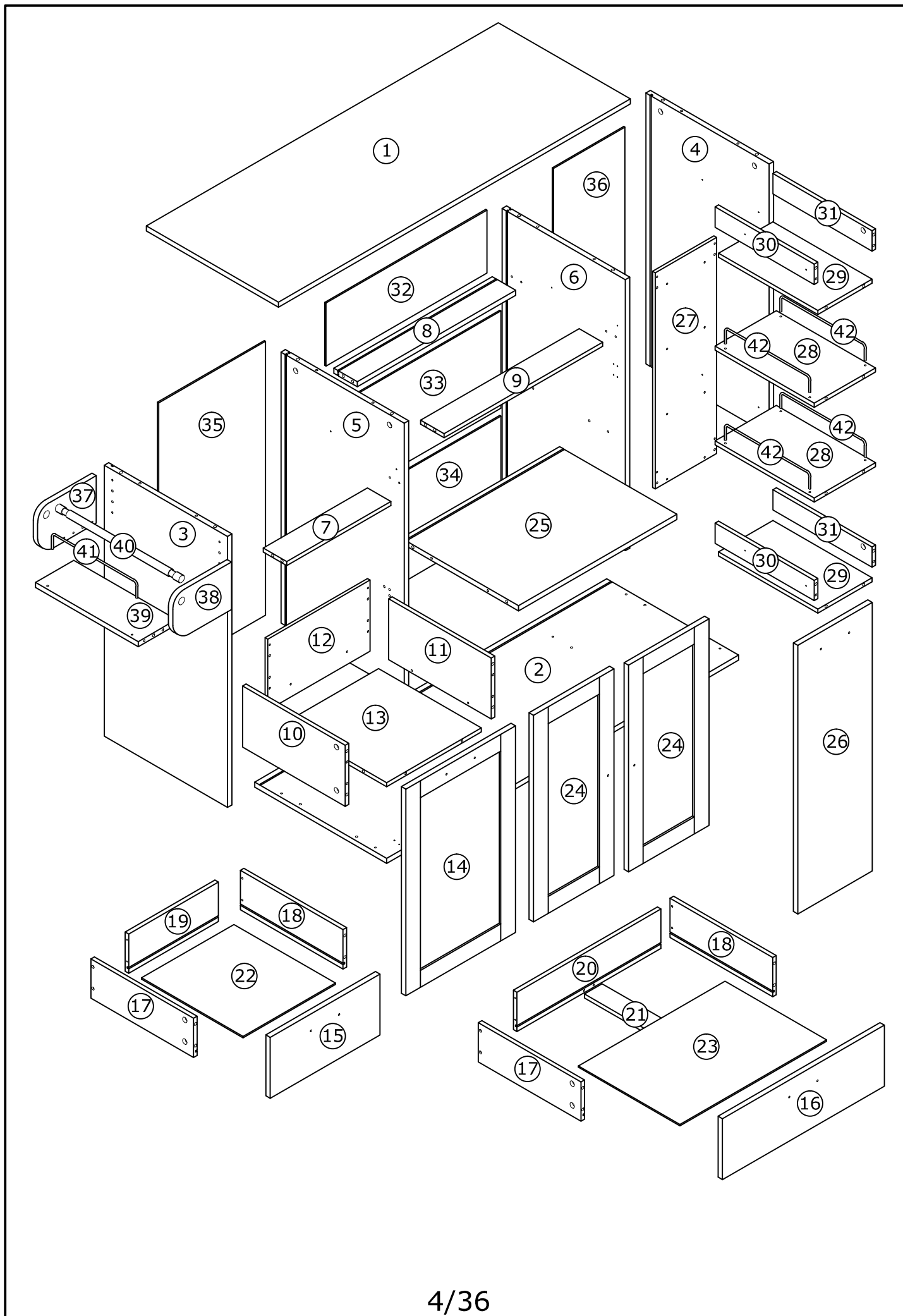


Please prepare the following tools

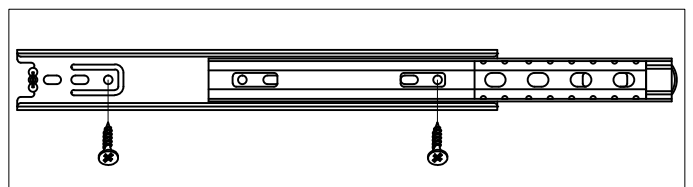
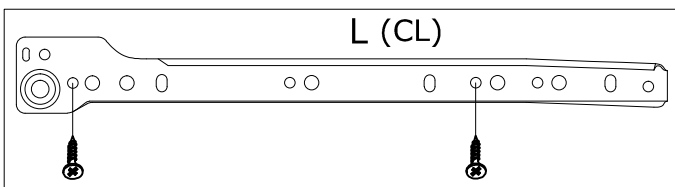
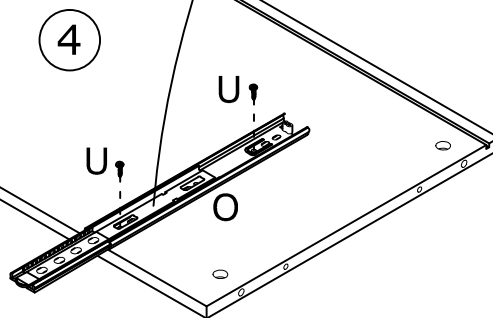
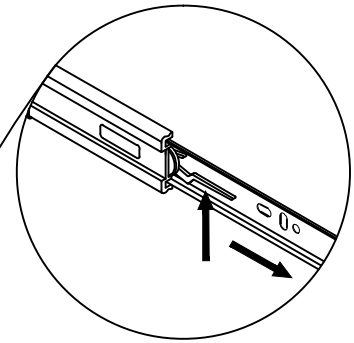
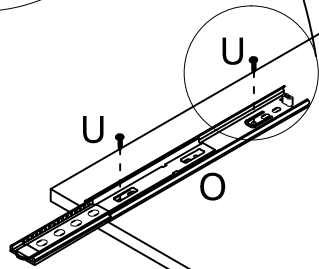
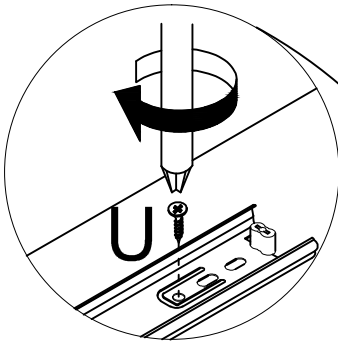
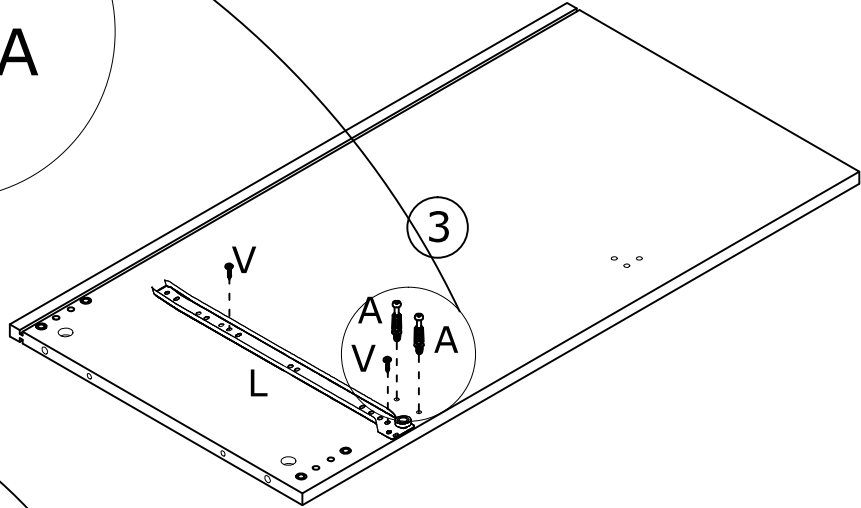
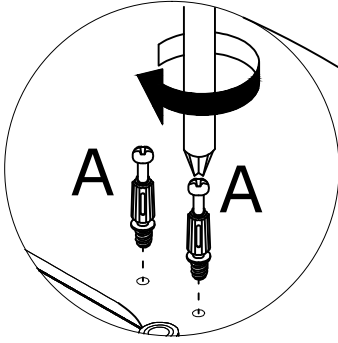
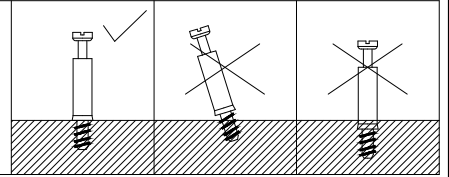
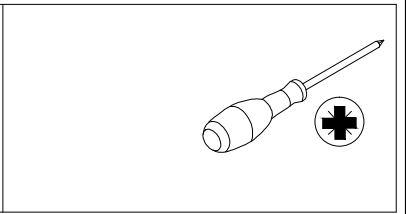
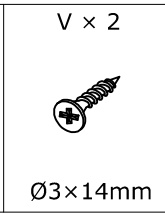
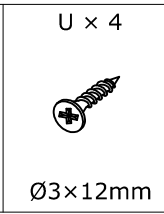
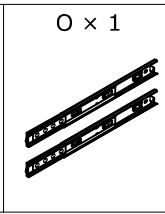
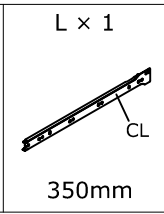
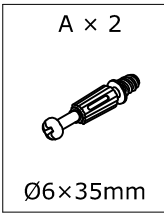


When installing, please carefully confirm whether each screw corresponds to the manual, accessories with similar shapes can be distinguished by size



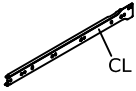
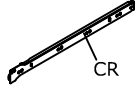

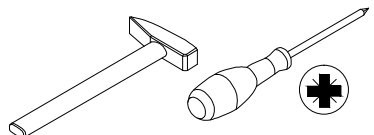
A × 60+1  Ø6×35mm	B × 60+2  Ø15×9.5mm	C × 46+2  Ø6×30mm	D × 20+1  Ø3.5×40mm	E × 18+1  Ø3.5×30mm	F × 20  Ø5×12mm
G × 2  Ø3.5×12mm	H × 4  Ø4×20mm	J × 2  Ø4×20mm	K × 20  Ø3×14mm	L × 2  350mm	M × 2  350mm
N × 4  half cover	O × 2  30*9*5mm	P × 2  30*9*5mm	Q × 2  30*9*5mm	R × 3  30*9*5mm	S × 2  Ø7×22mm
T × 2  Ø3.5×20mm	U × 16+2  Ø3×12mm	V × 16+2  Ø3×14mm	W × 24+2  Ø3.5×14mm	Y × 60  Ø20mm	

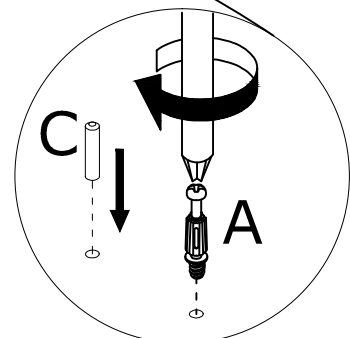
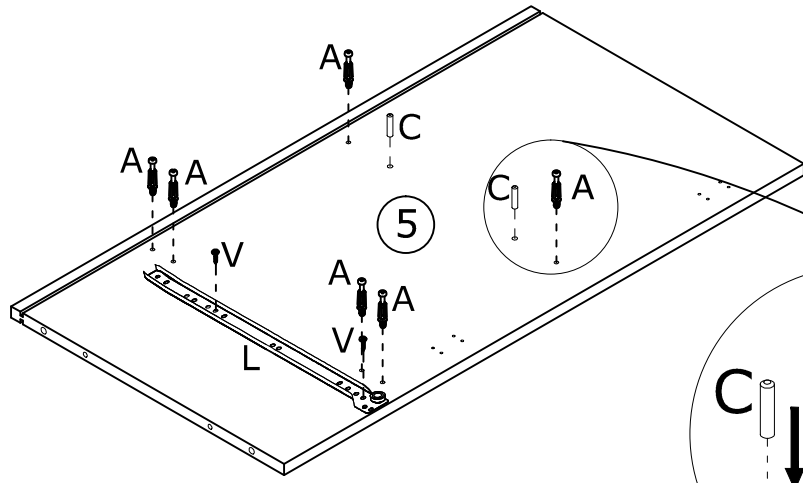
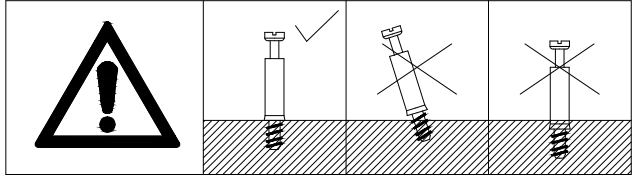
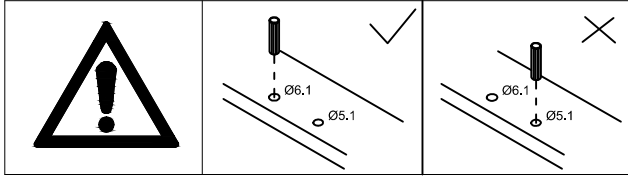


1

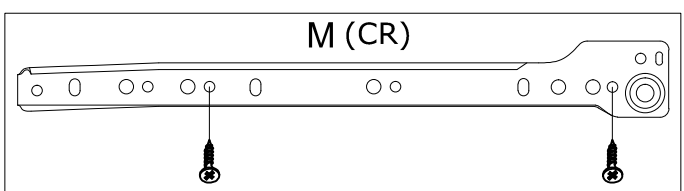
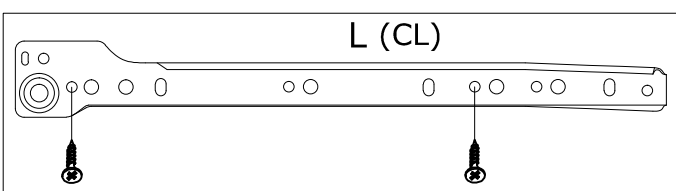
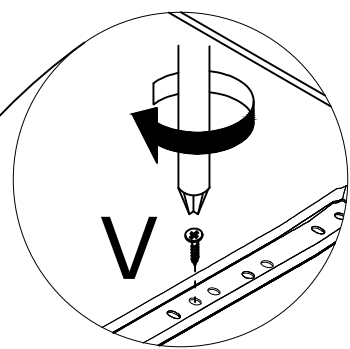
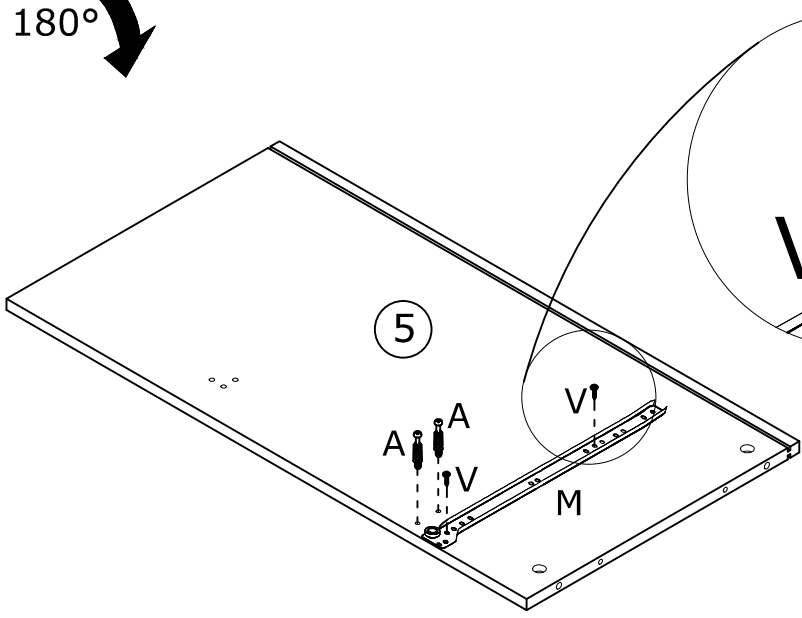


2

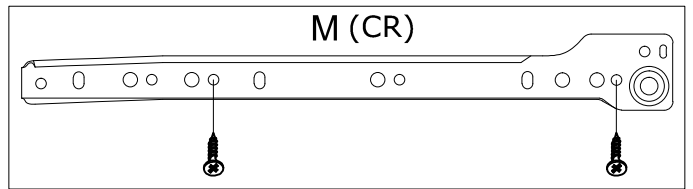
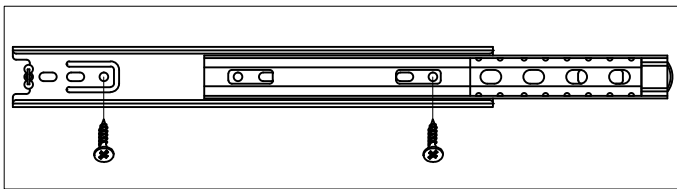
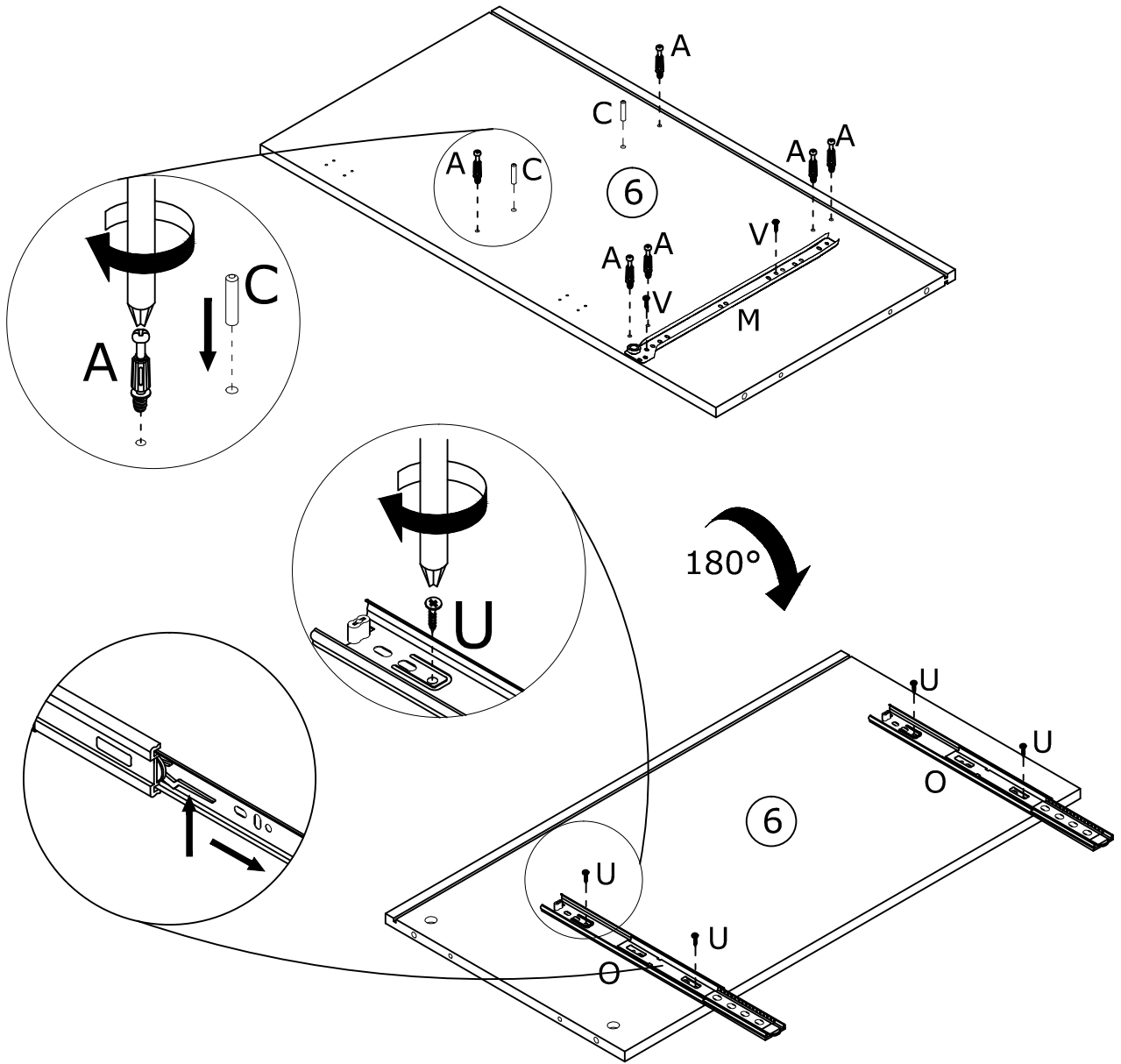
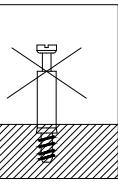
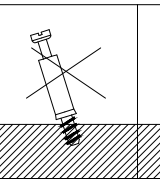
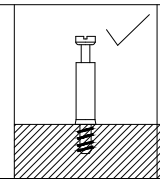
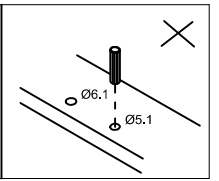
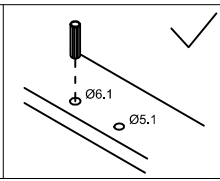
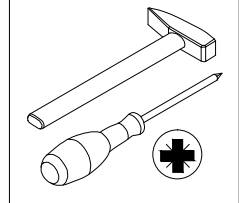
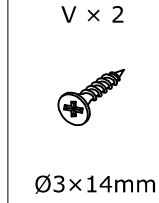
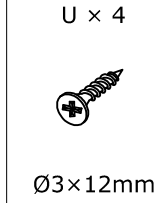
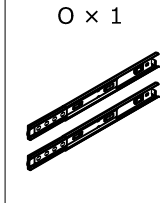
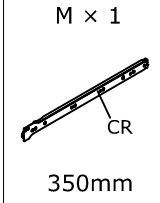
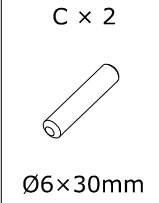
A × 8  Ø6×35mm	C × 2  Ø6×30mm	L × 1  CL 350mm	M × 1  CR 350mm	V × 4  Ø3×14mm	
--	--	---	---	---	---



180°



3

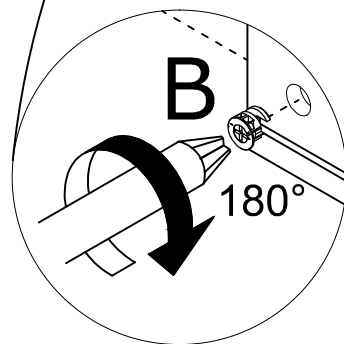
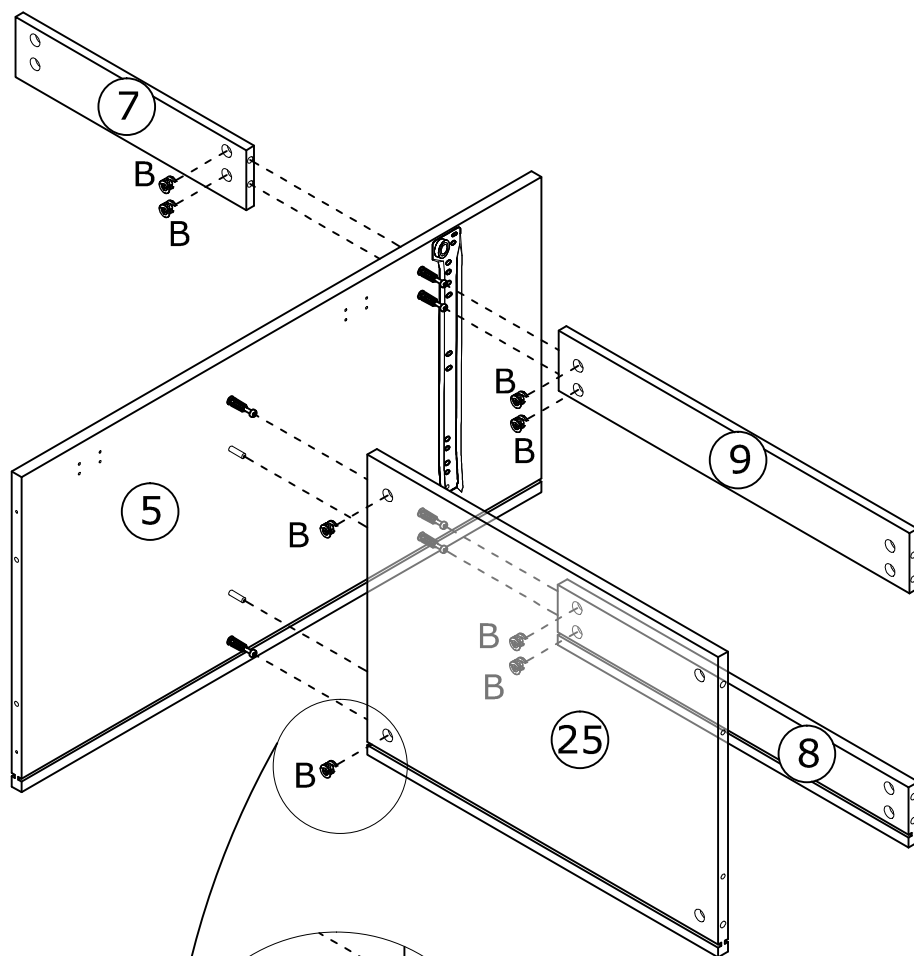
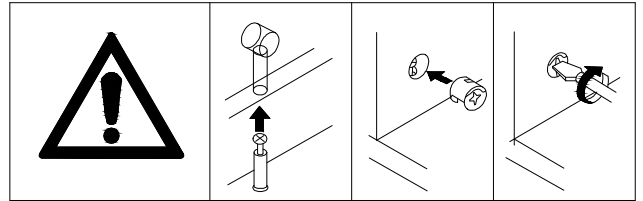
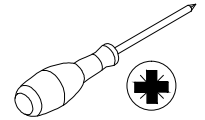


4

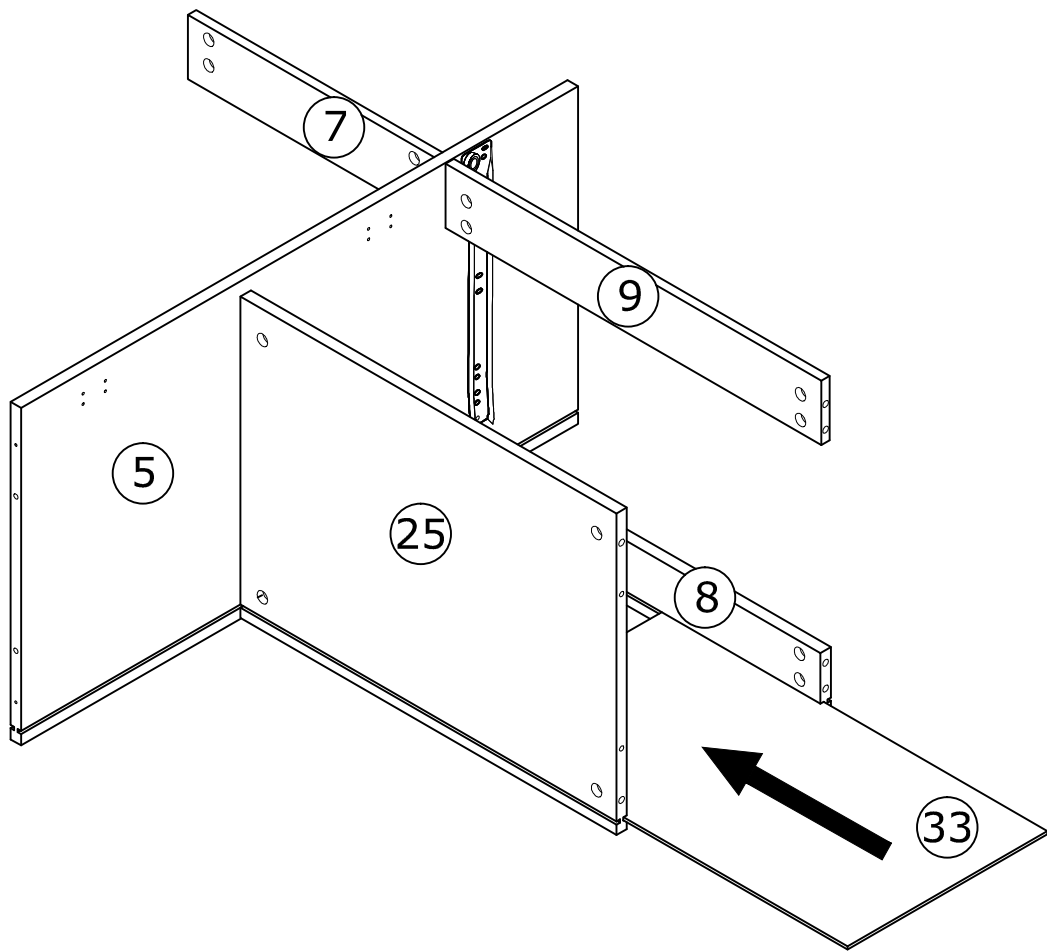
B × 8



Ø15×9.5mm



5

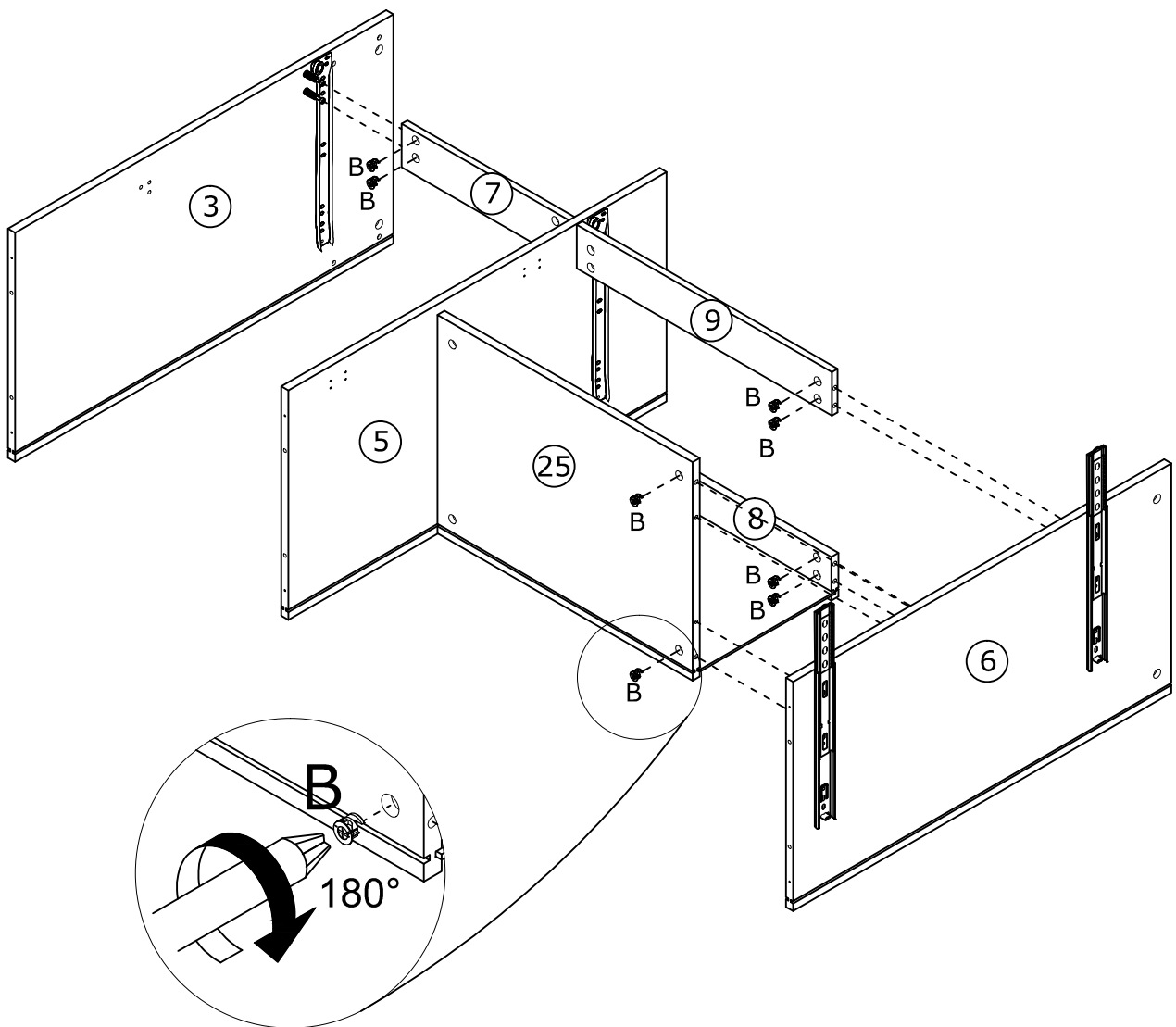
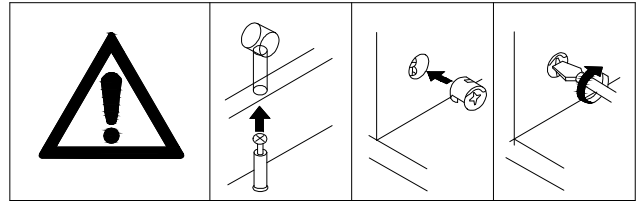
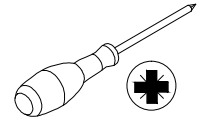


6

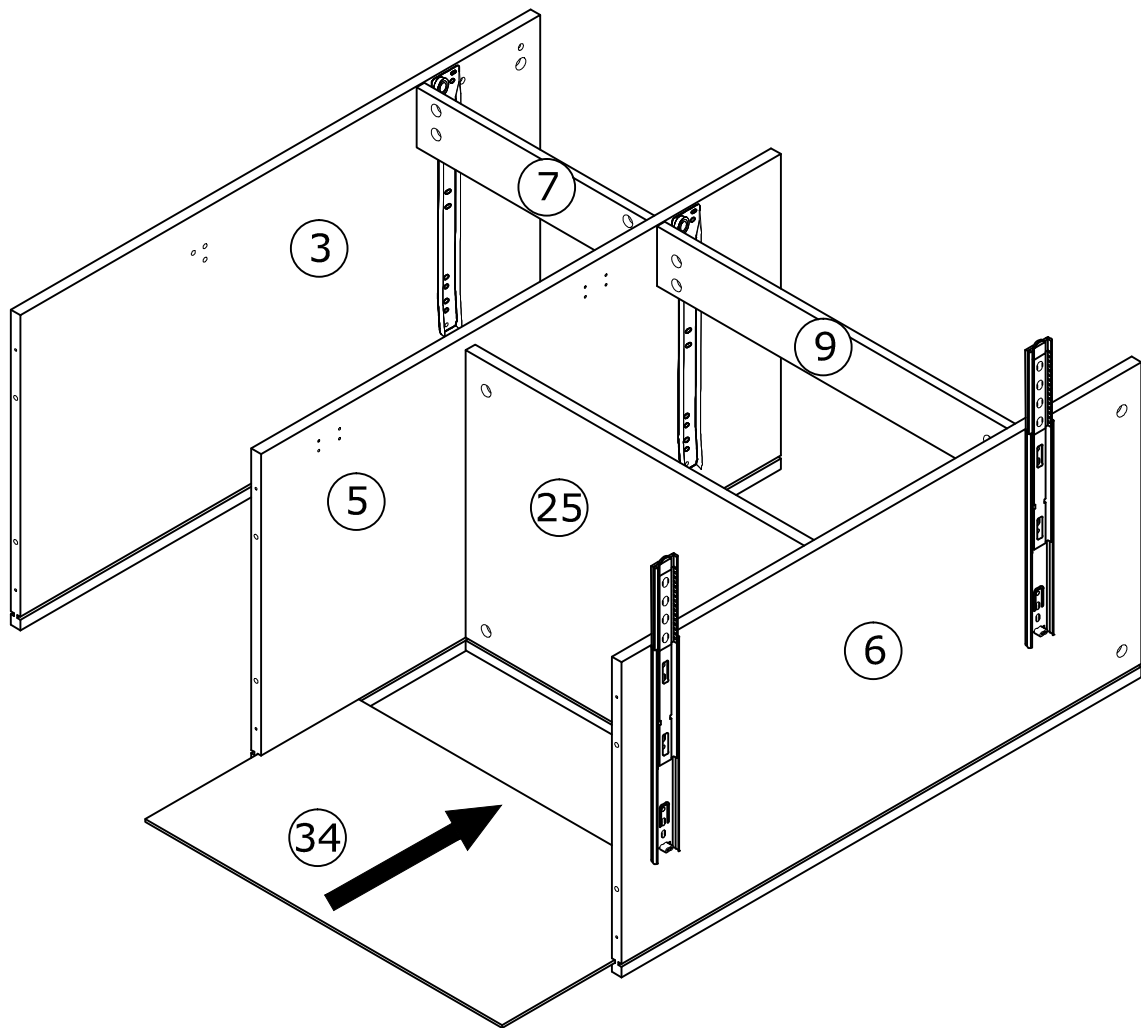
B × 8





Ø15×9.5mm

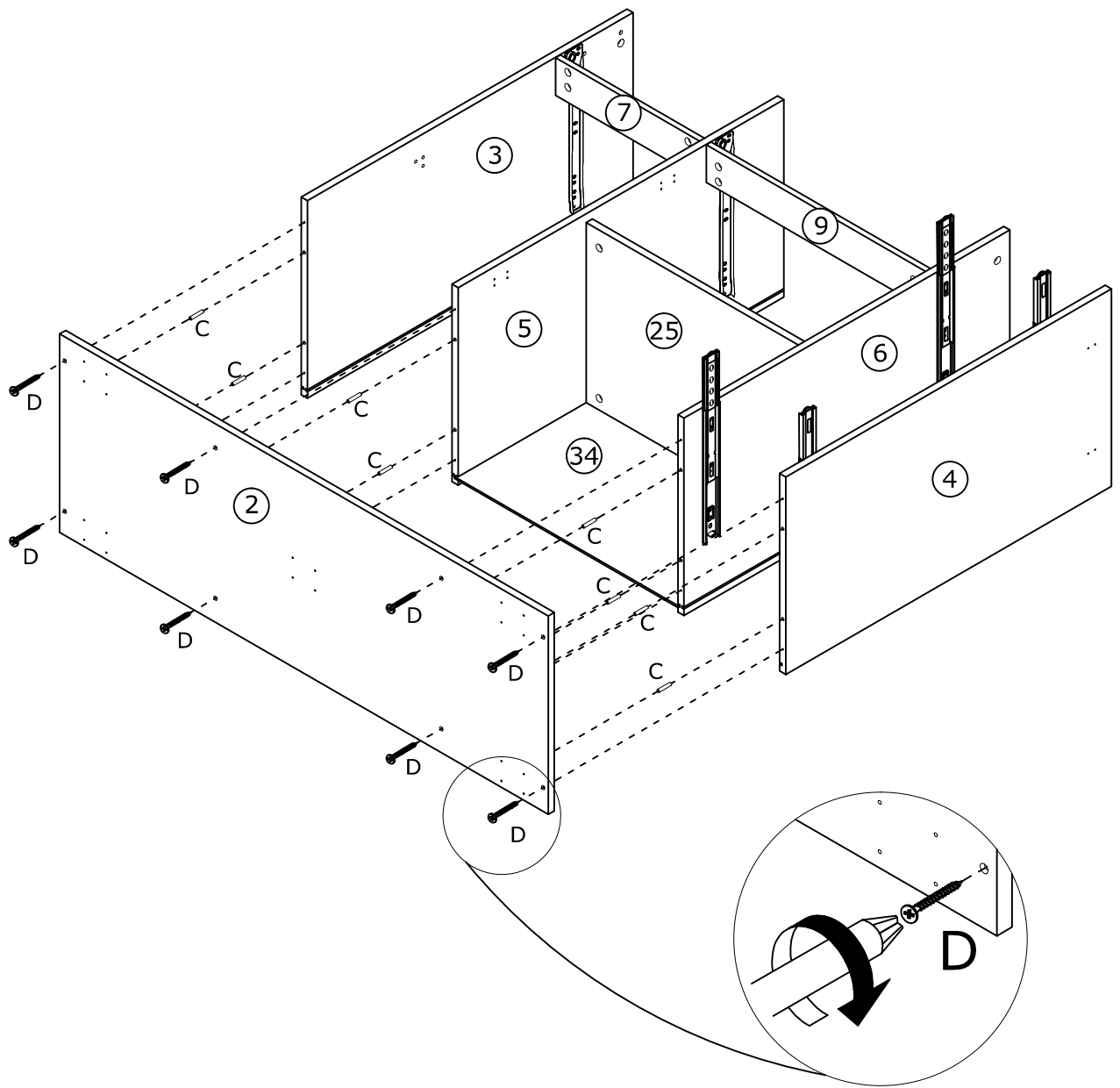
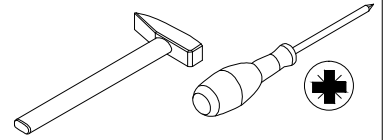


7




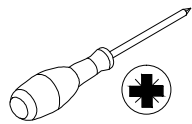


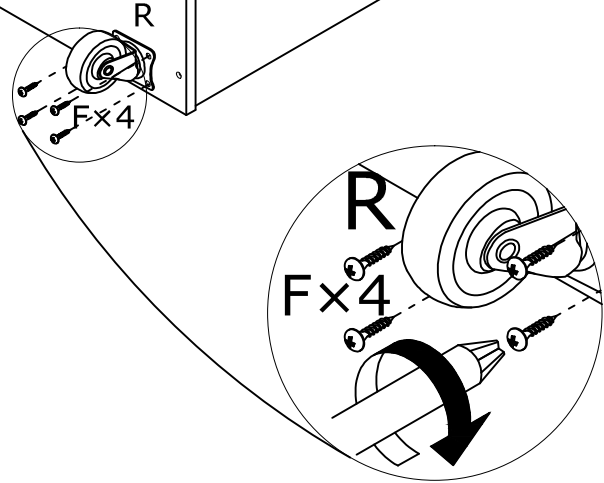
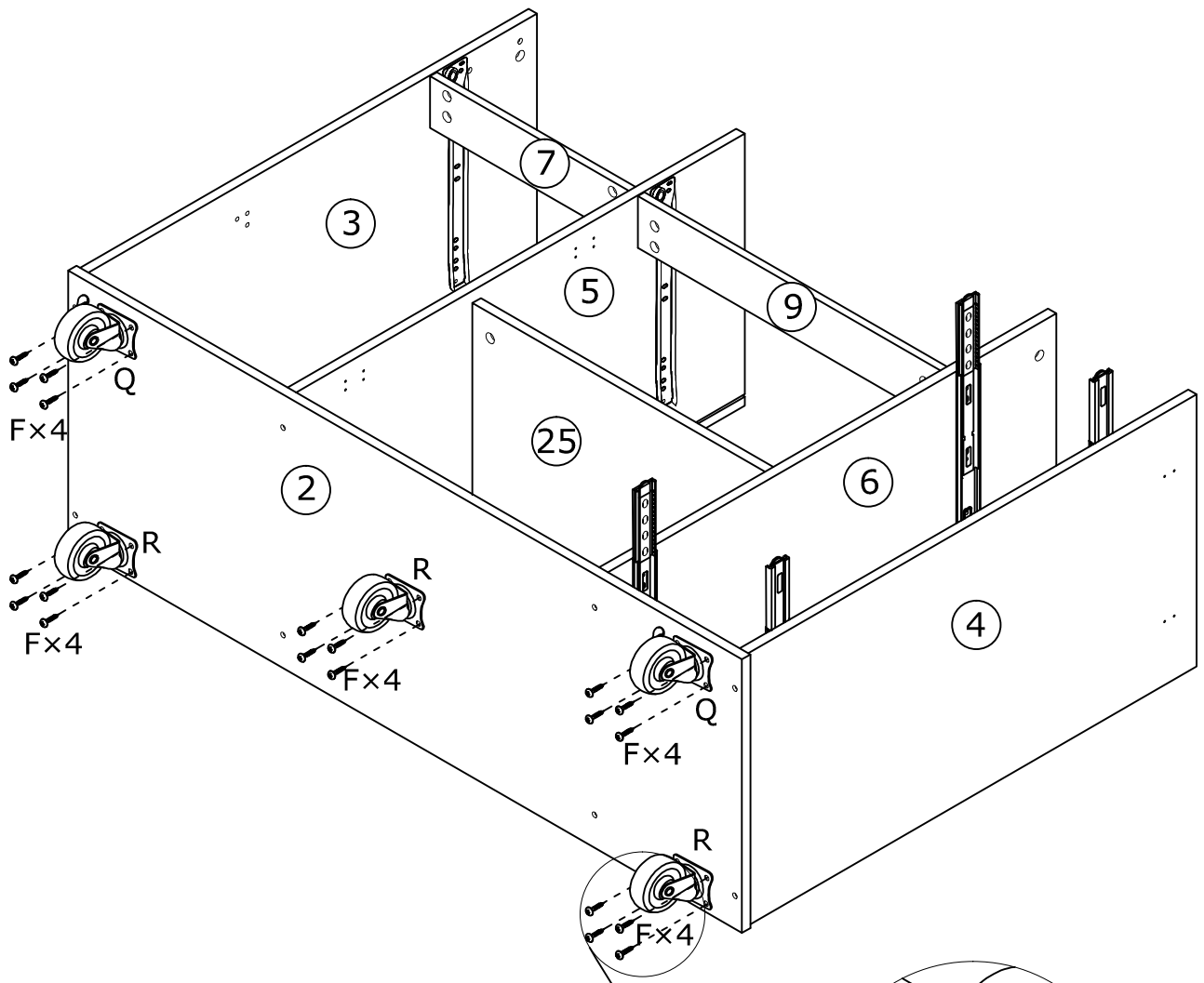
8

C × 8  Ø6×30mm	D × 8  Ø3.5×40mm
---	---



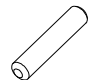


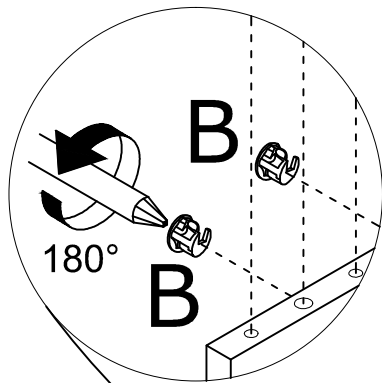
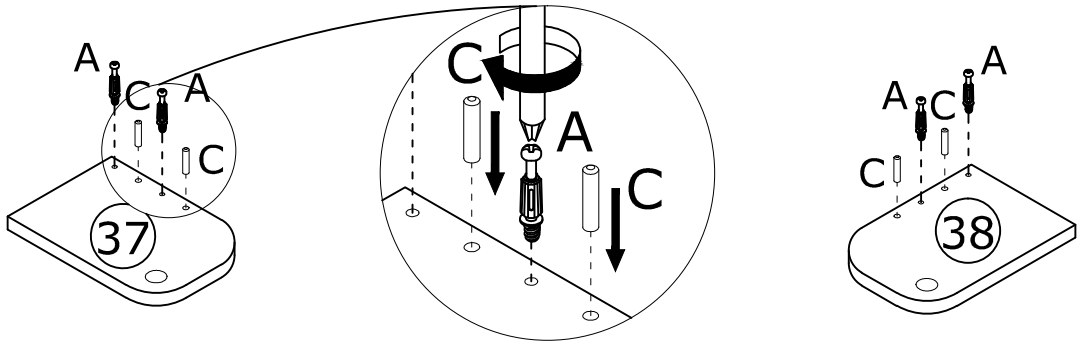
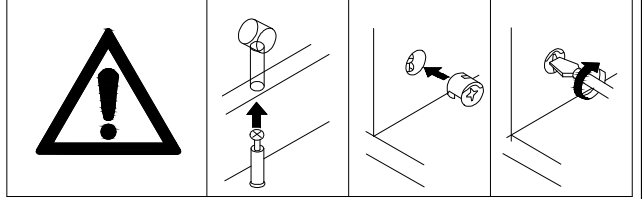
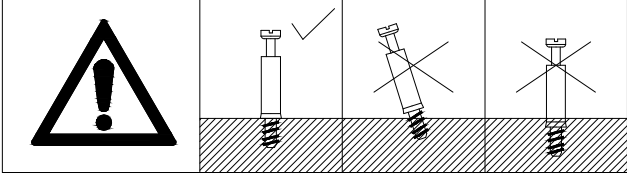
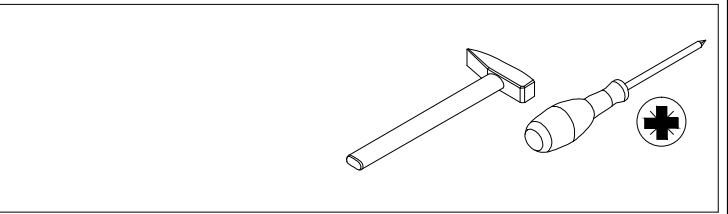
9

F × 20  Ø5×12mm	Q × 2 	R × 3 	
--	--	--	---

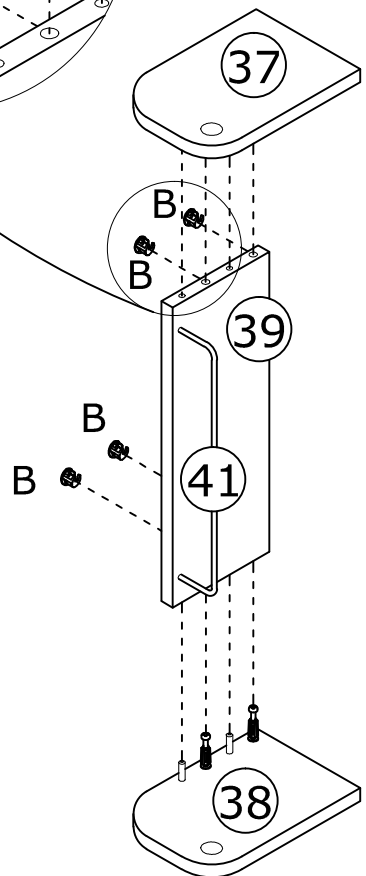
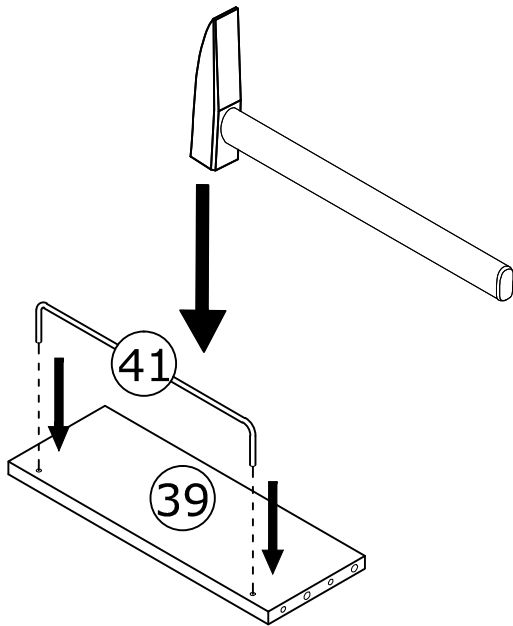


10



A x 4  Ø6x35mm	B x 4  Ø15x9.5mm	C x 4  Ø6x30mm
---	---	---

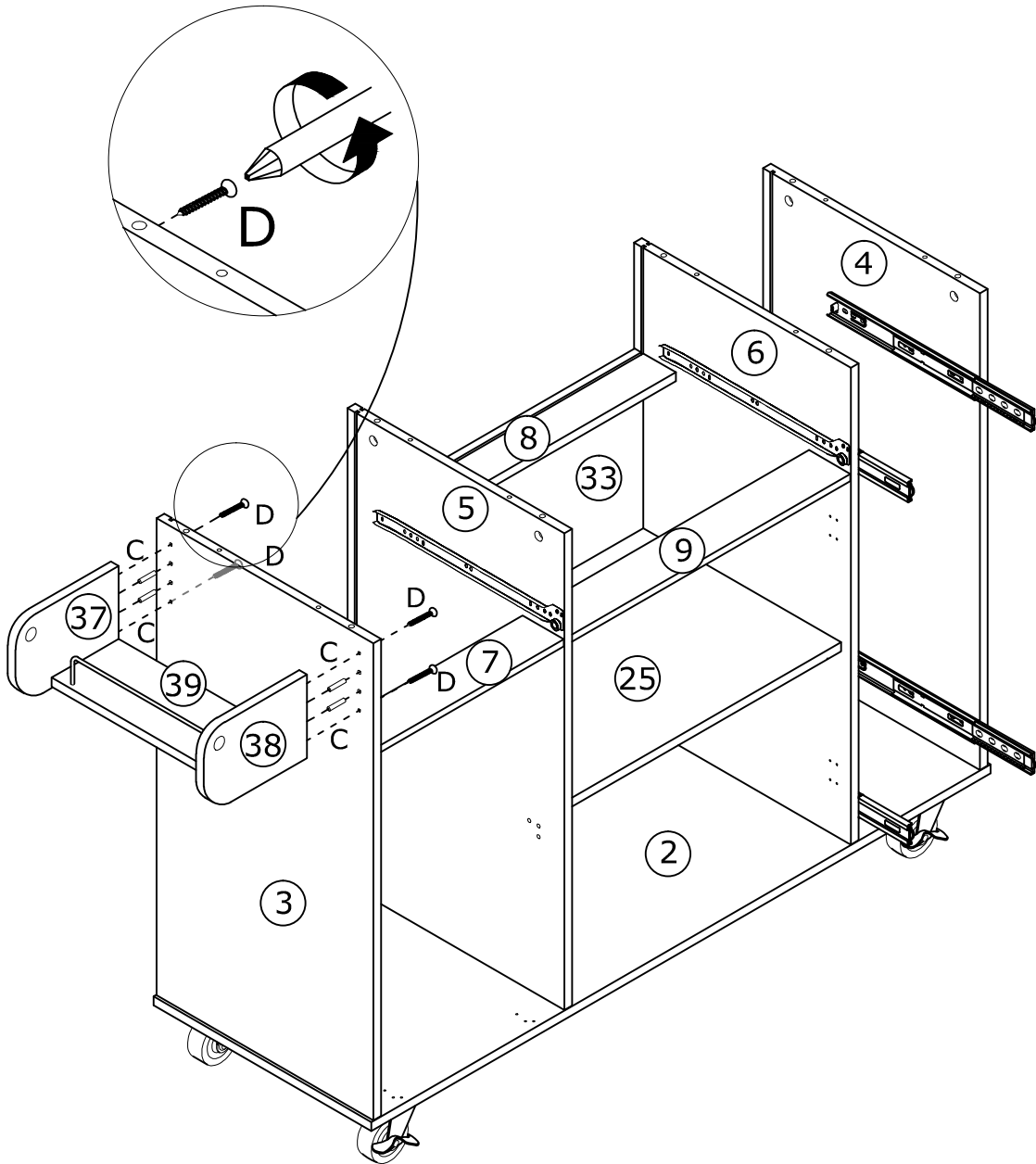
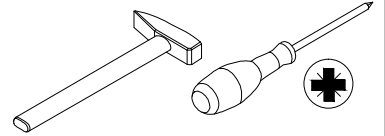


Rubber Hammer

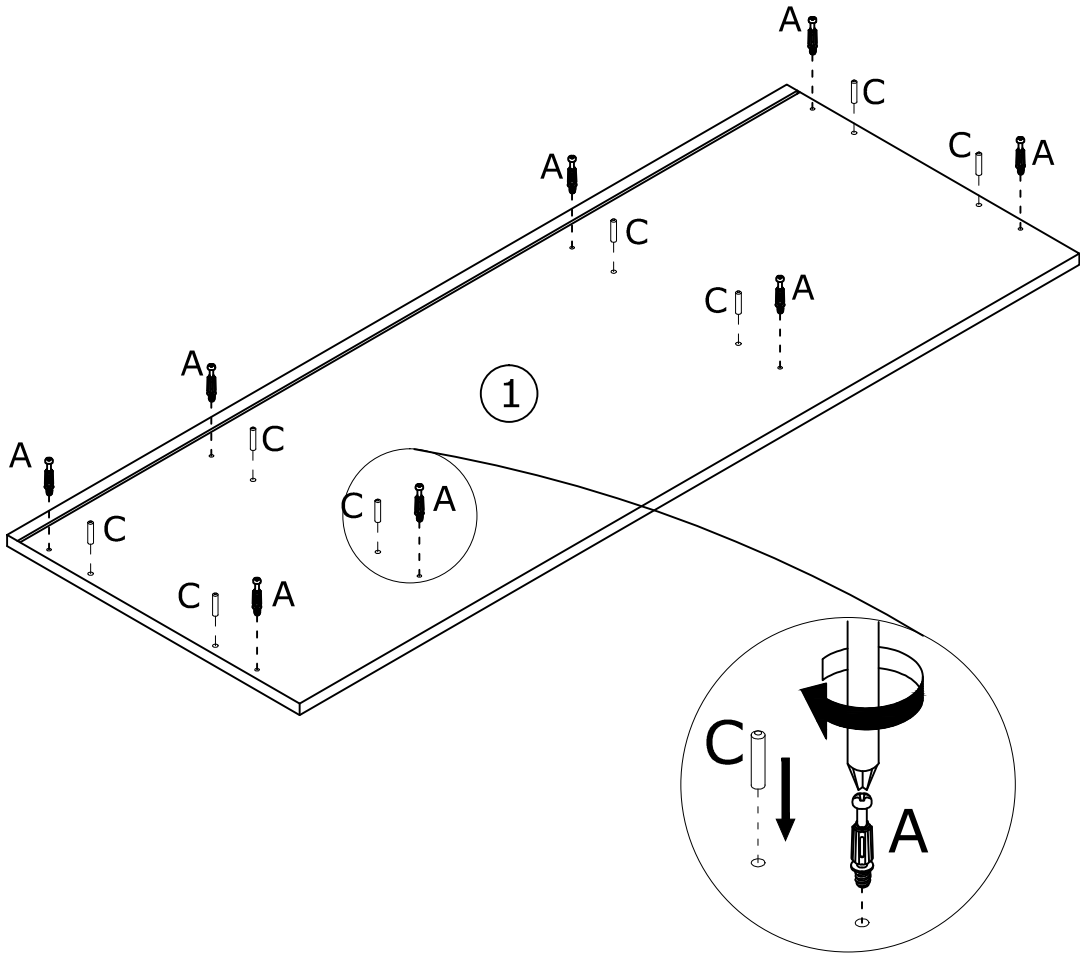
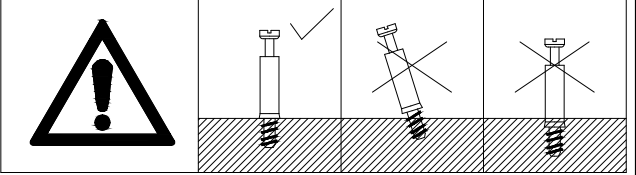
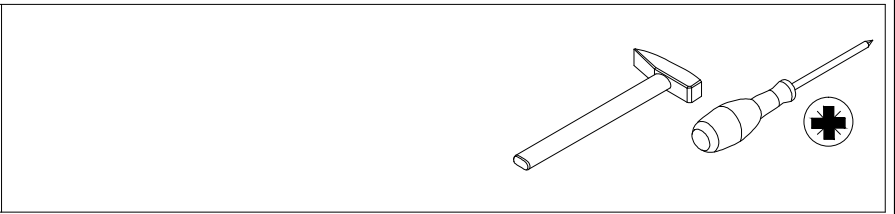
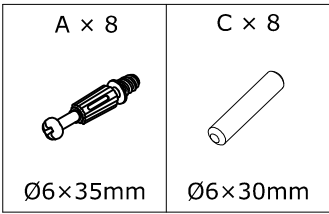


11

C × 4	D × 4
	
Ø6×30mm	Ø3.5×40mm



13

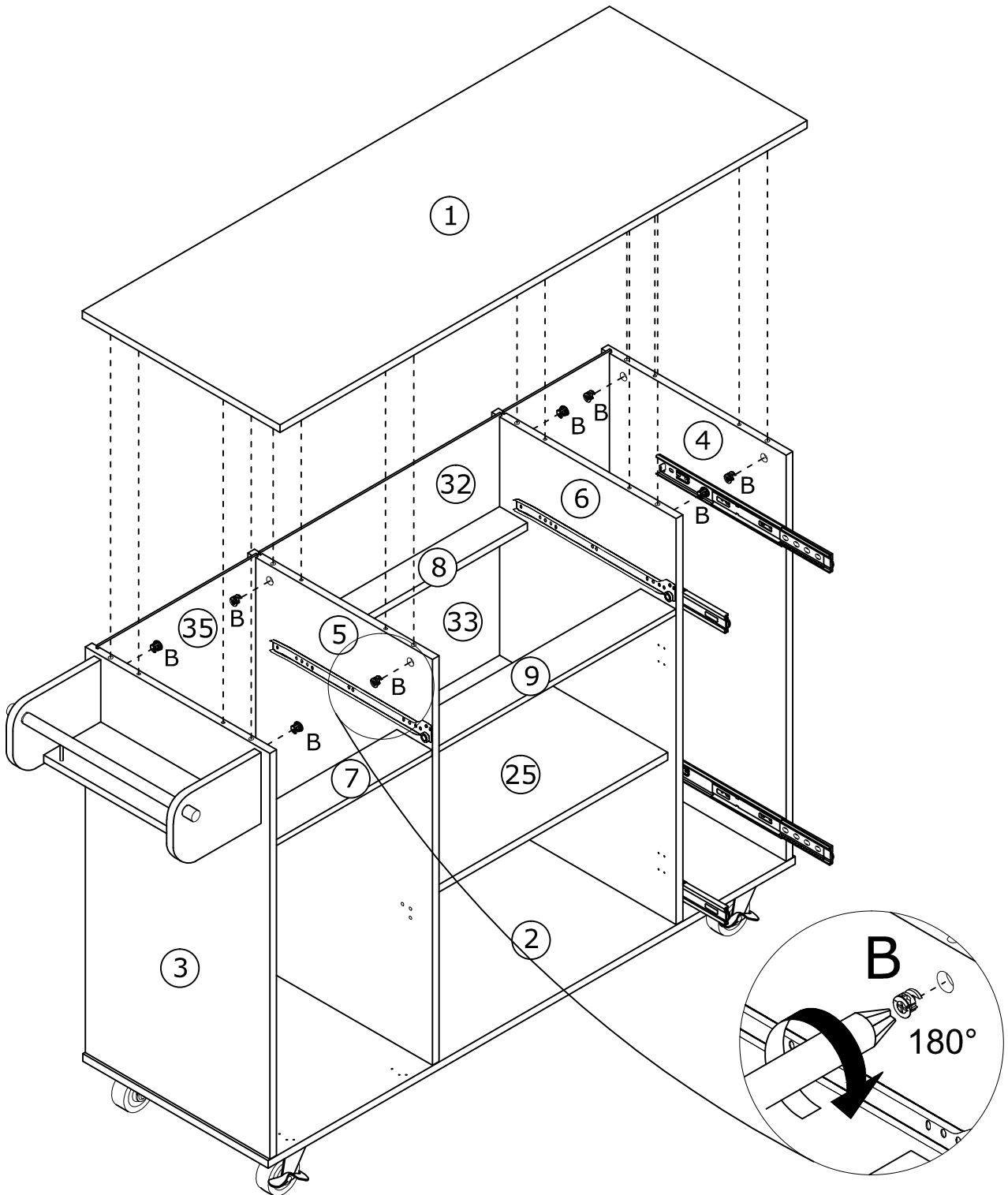
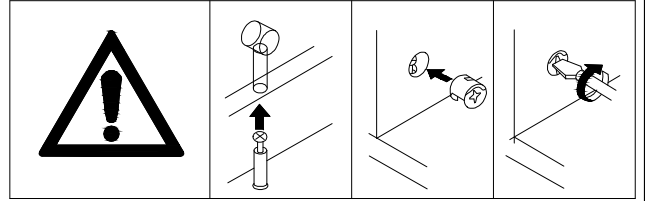
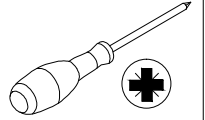


14

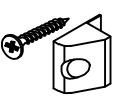

B × 8

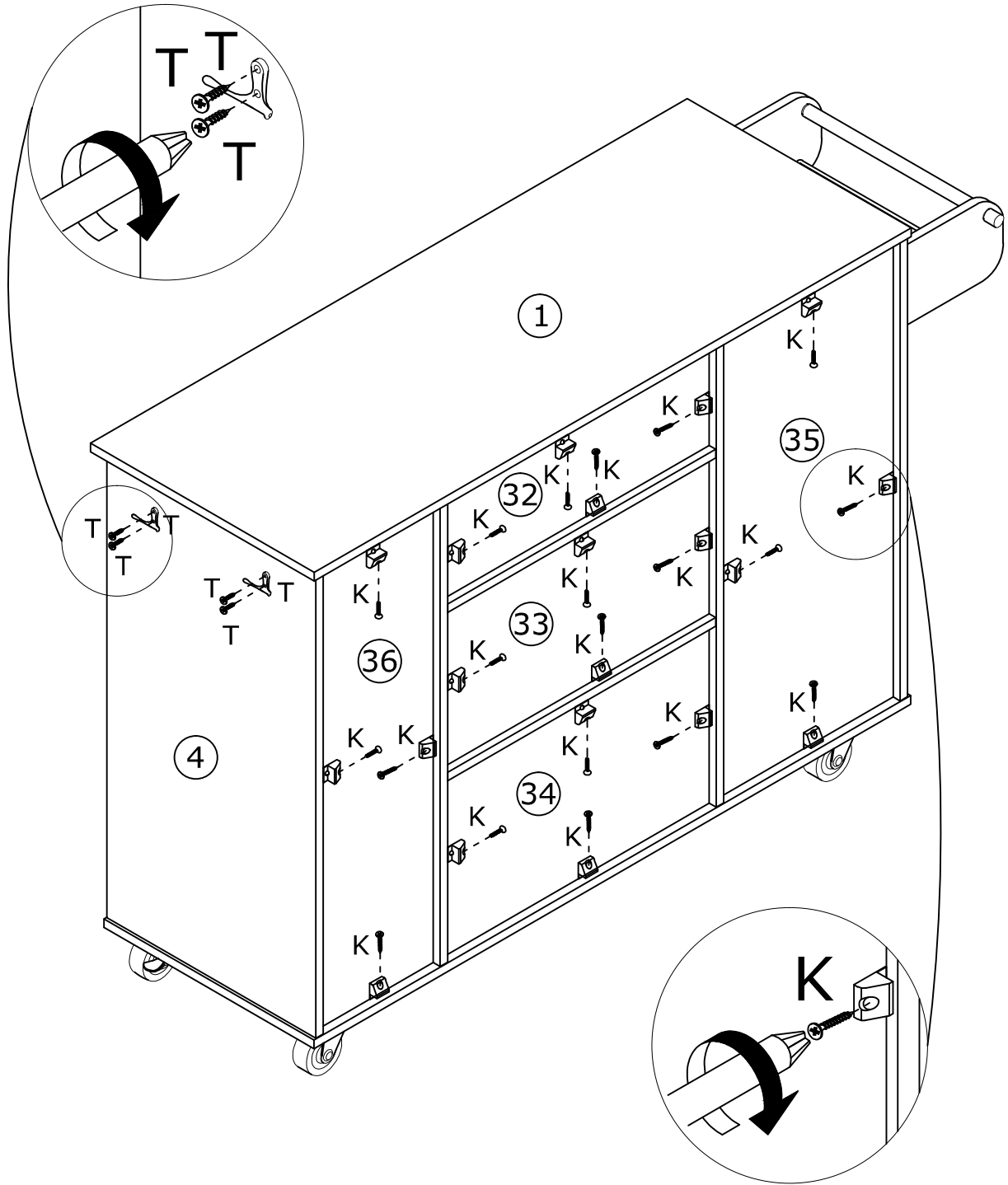
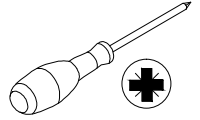


Ø15×9.5mm



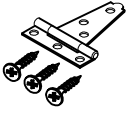
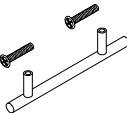

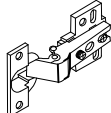
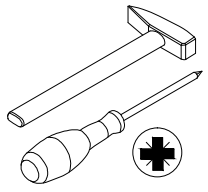

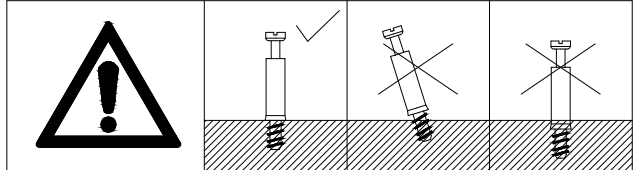


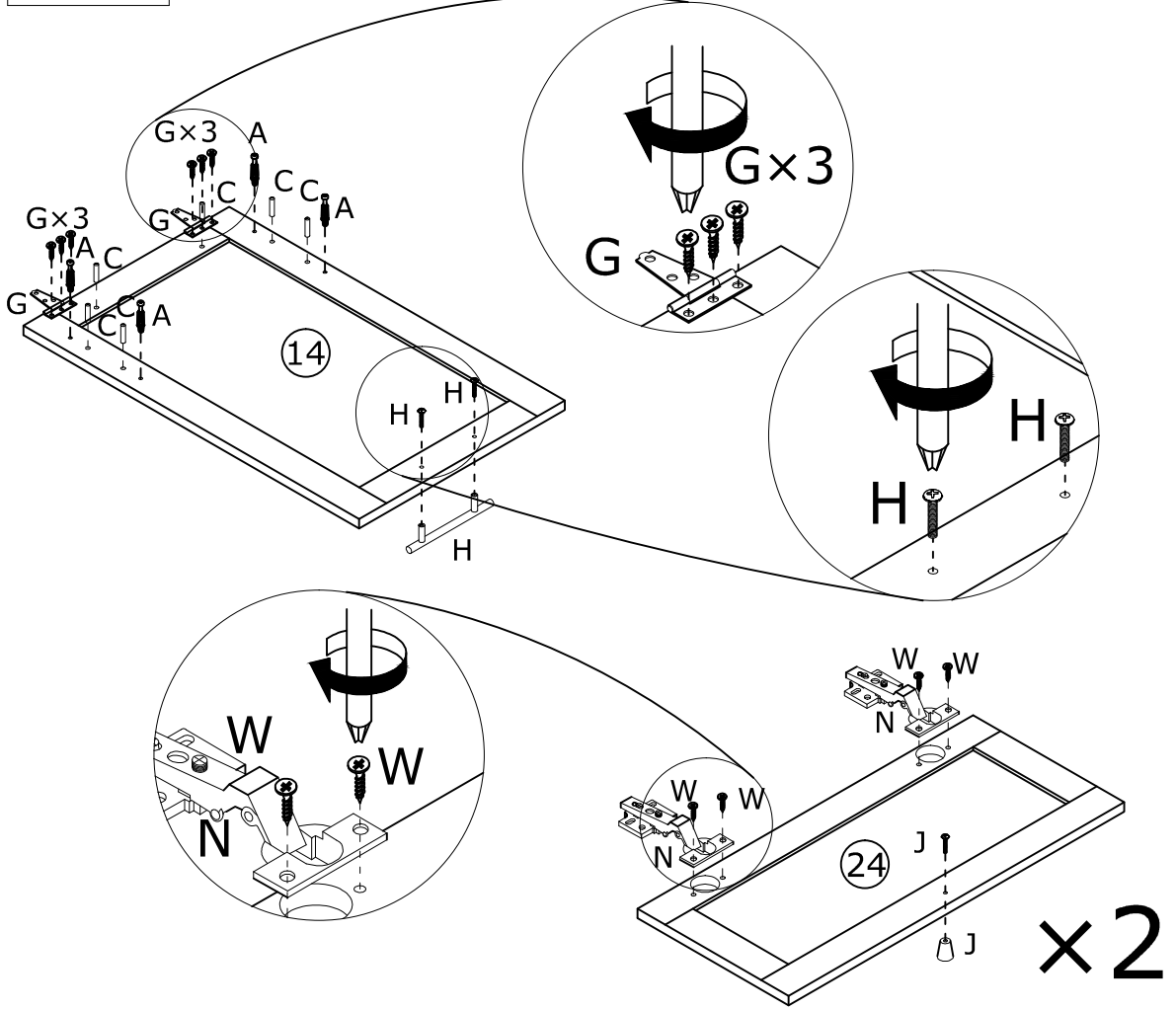
15

$K \times 20$  $\varnothing 3 \times 14 \text{ mm}$	$T \times 2$  $\varnothing 3.5 \times 20 \text{ mm}$
--	---

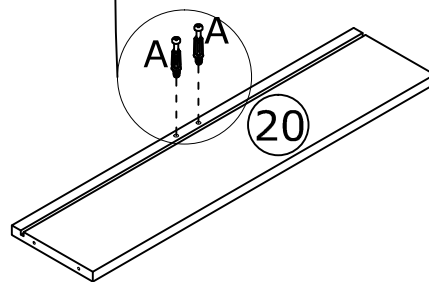
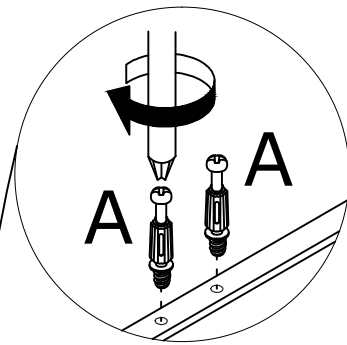
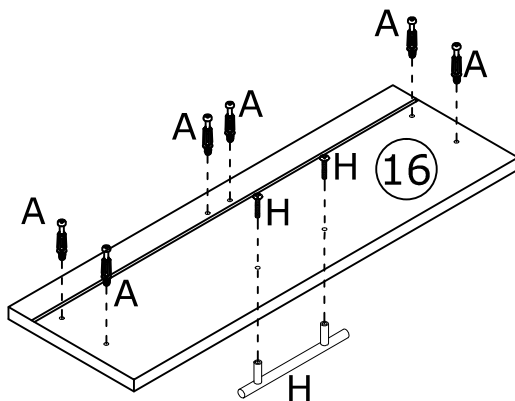
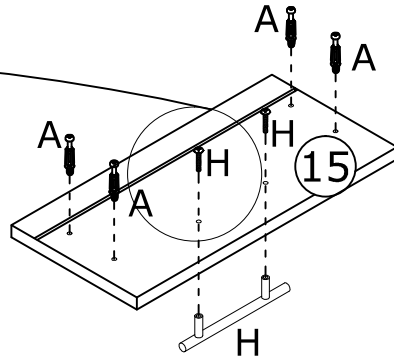
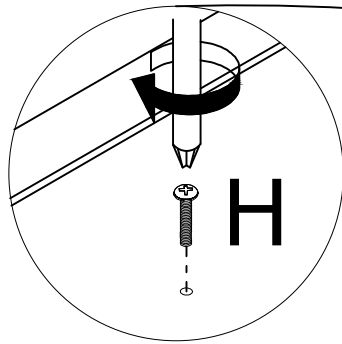
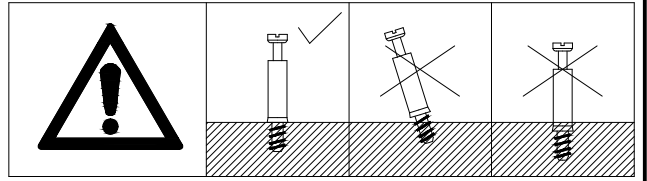
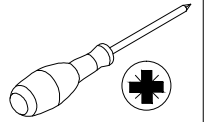
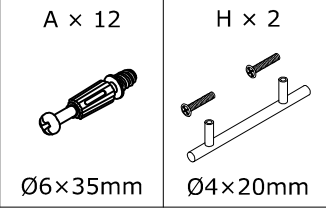


16


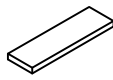
<p>A × 16</p>  <p>Ø6×35mm</p>	<p>C × 10</p>  <p>Ø6×30mm</p>	<p>G × 2</p>  <p>Ø3.5×12mm</p>	<p>H × 2</p>  <p>Ø4×20mm</p>	<p>J × 2</p>  <p>Ø4×20mm</p>	<p>N × 4</p> 	
<p>W × 8</p>  <p>Ø3.5×14mm</p>						

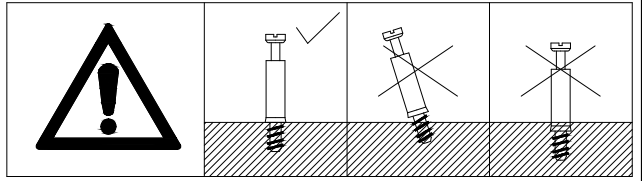
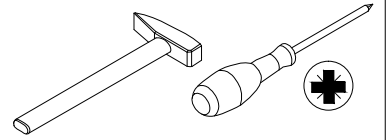


17

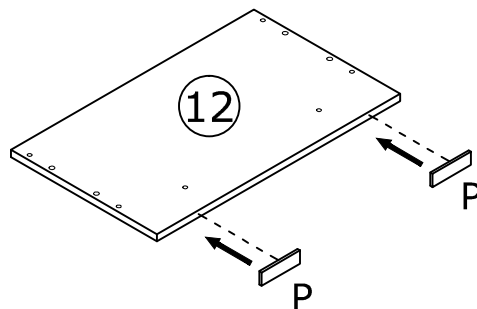
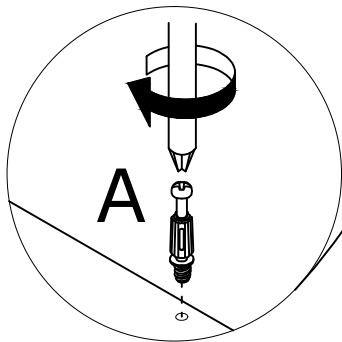
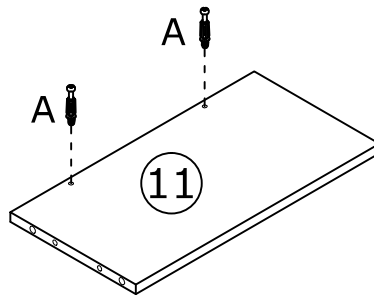
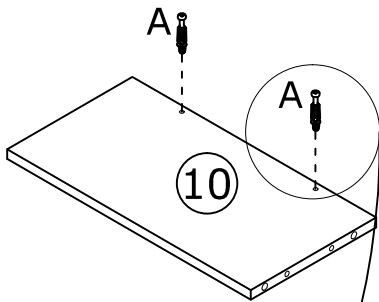
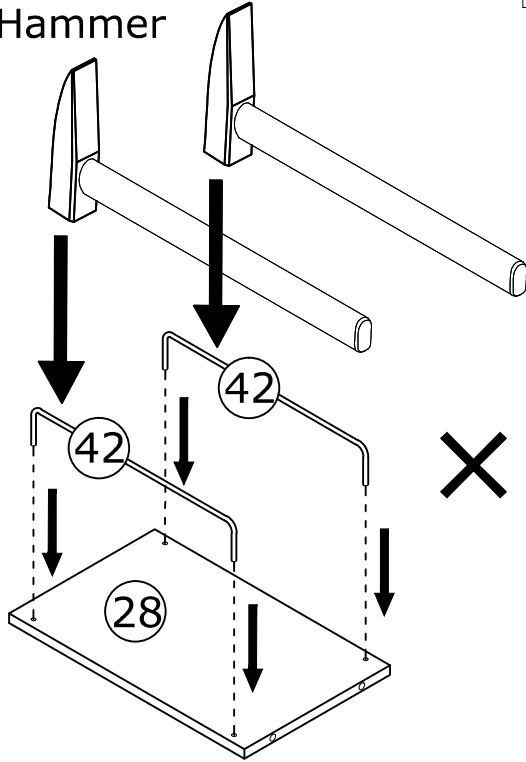


18



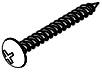
A x 4	P x 2
	
Ø6x35mm	30*9*5mm

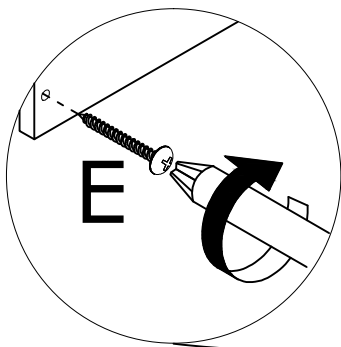
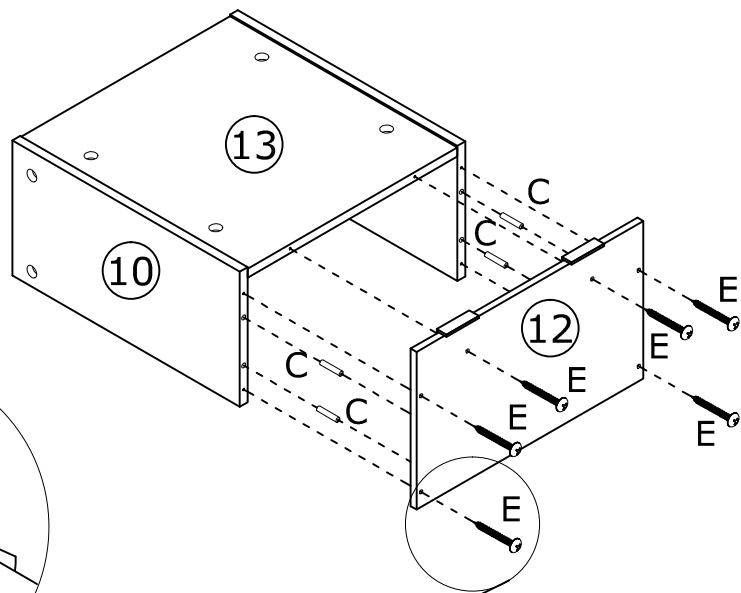
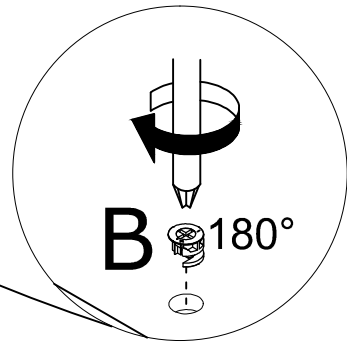
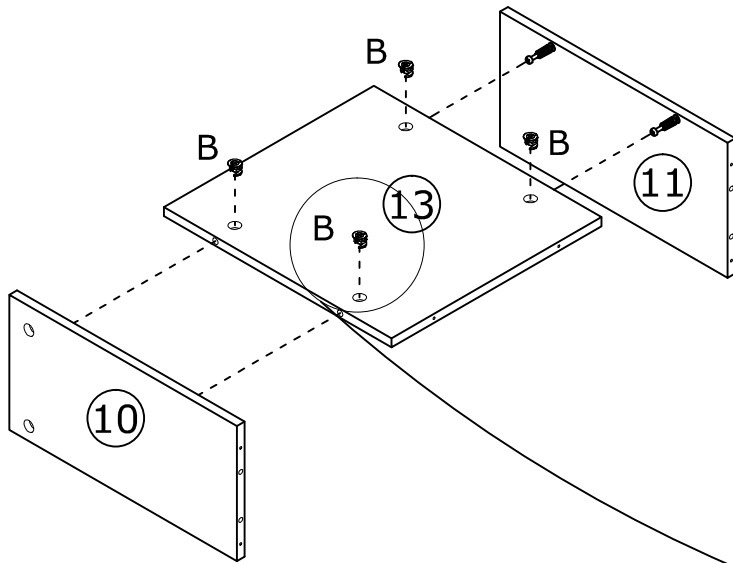
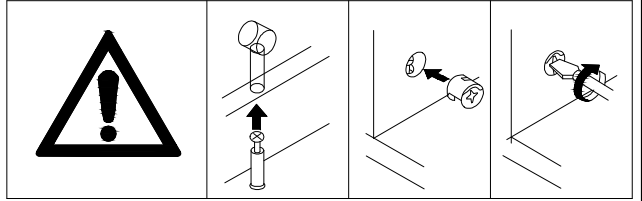
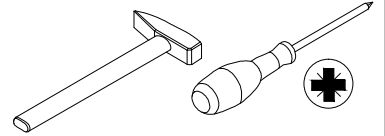


Rubber Hammer
Rubber Hammer



19

C × 4  Ø6×30mm	B × 4  Ø15×9.5mm	E × 6  Ø3.5×30mm
---	---	---

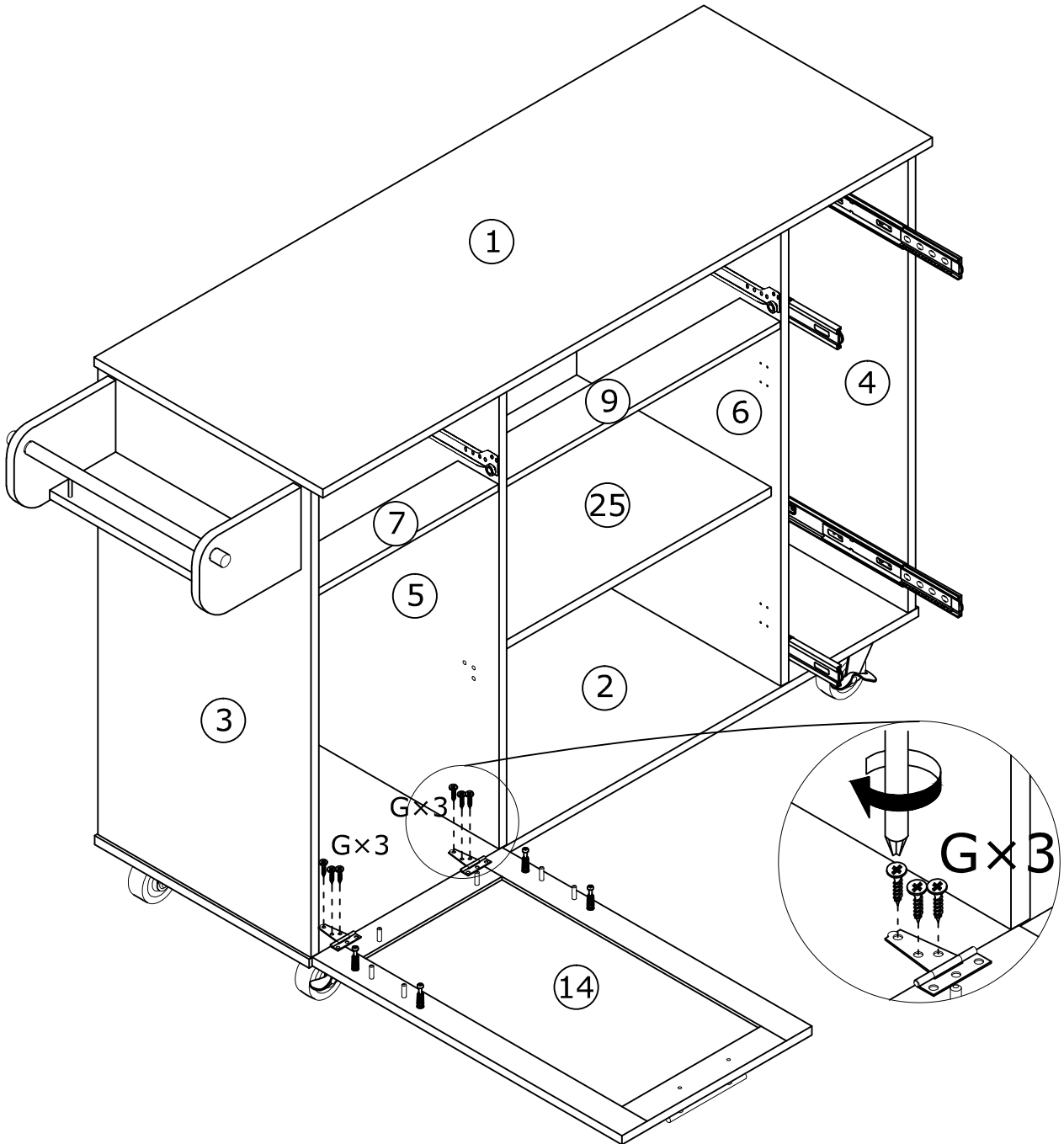
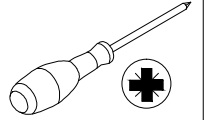


20

G x 2



Ø3.5x12mm

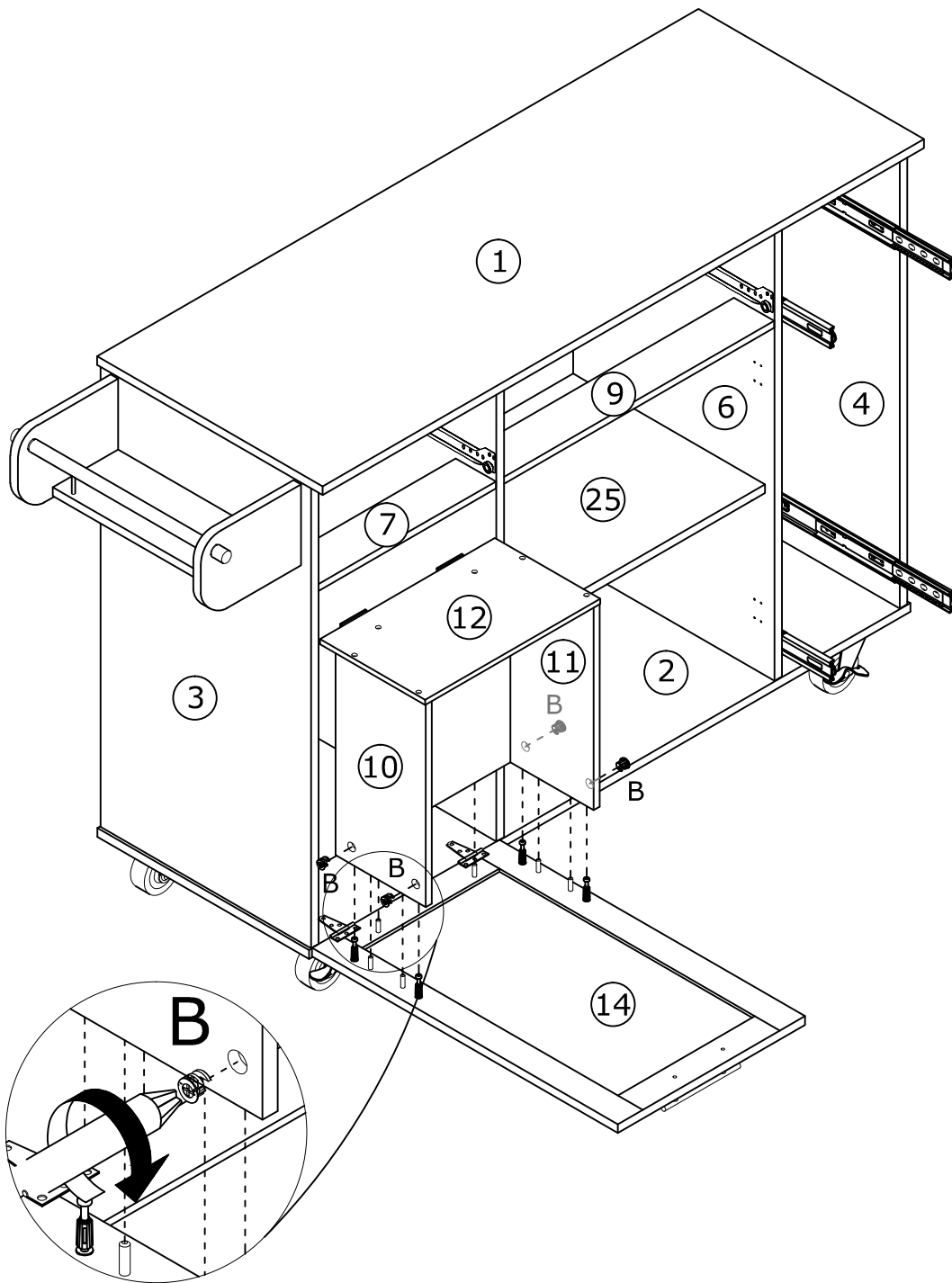
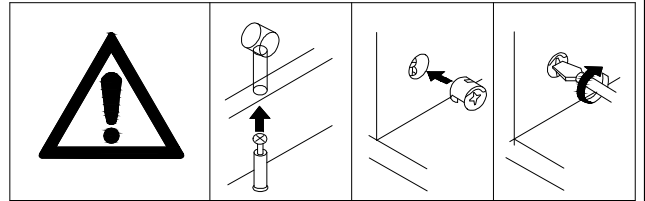
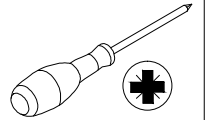


21

B × 4

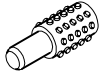


Ø15×9.5mm

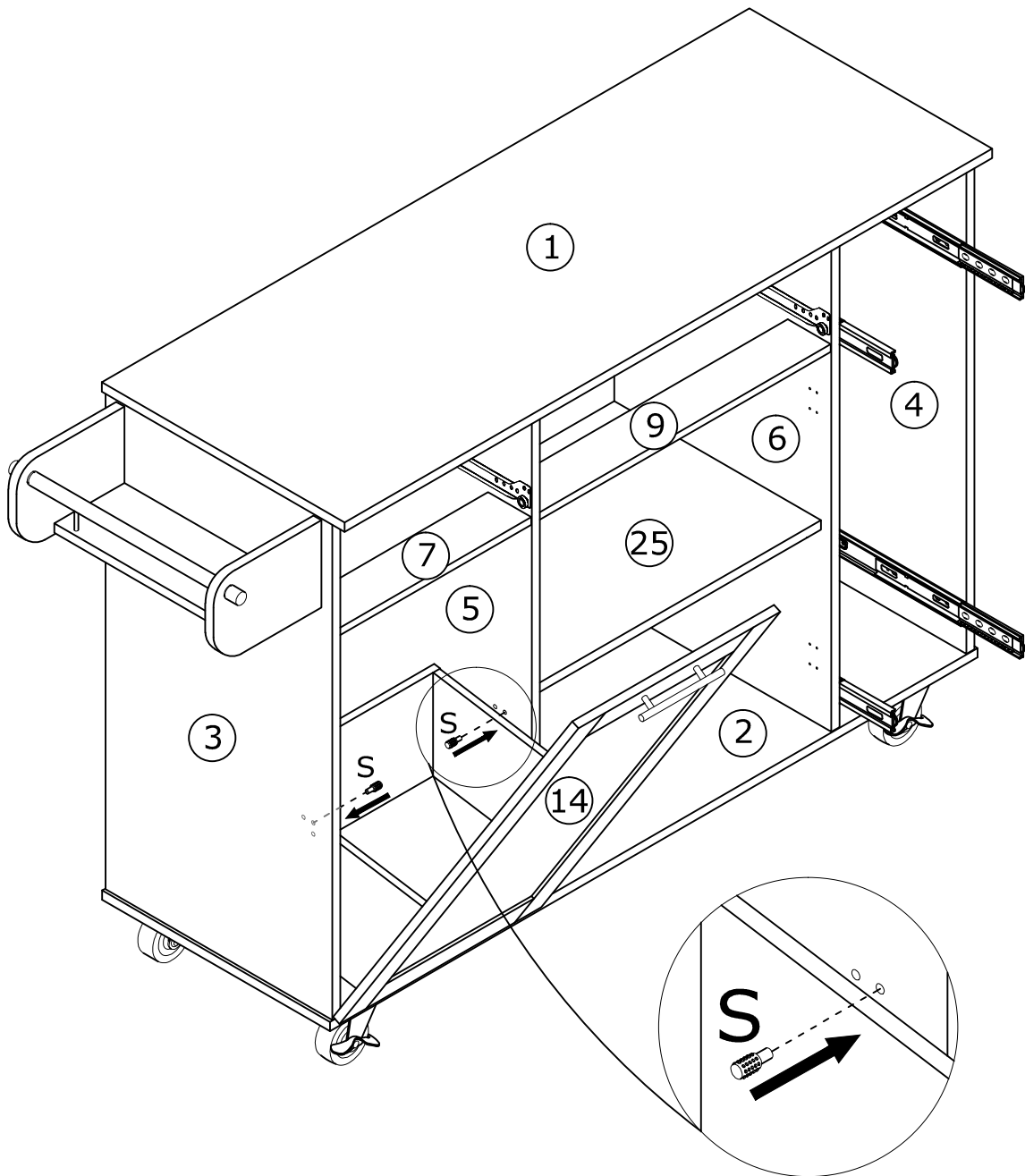


22

S × 2



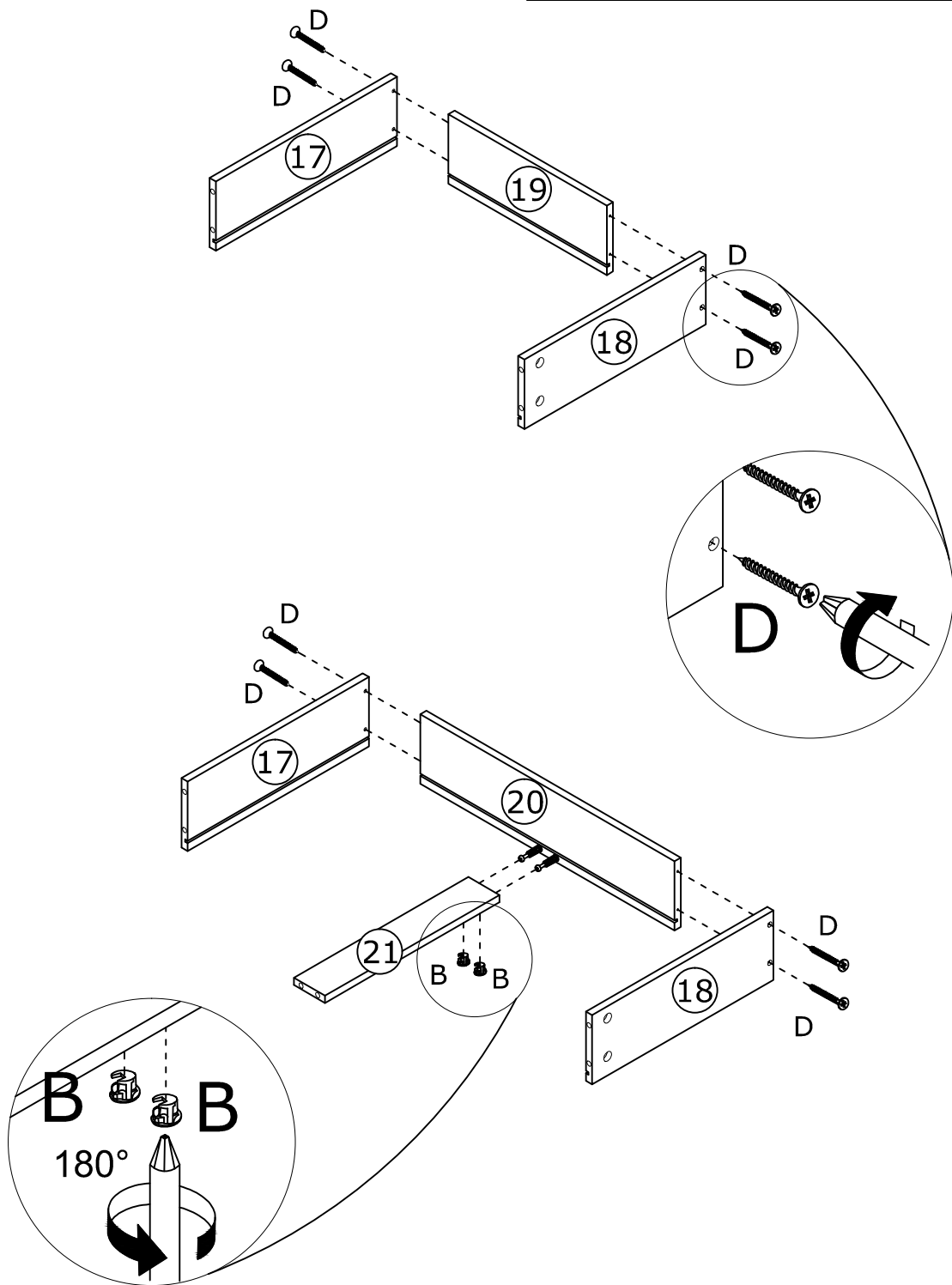
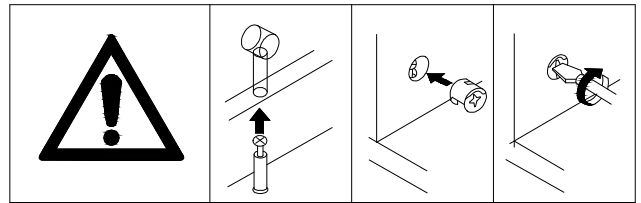
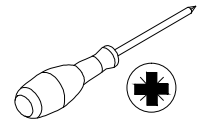
Ø7×22mm



23

B × 2
Ø15 × 9.5mm

D × 8
Ø3.5 × 40mm

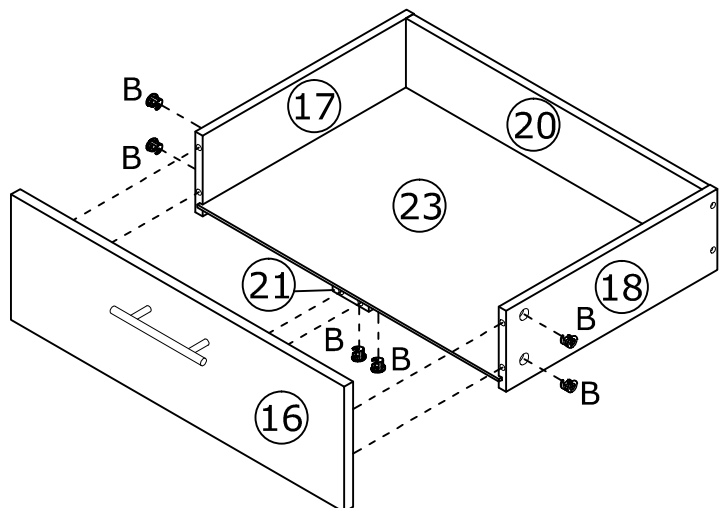
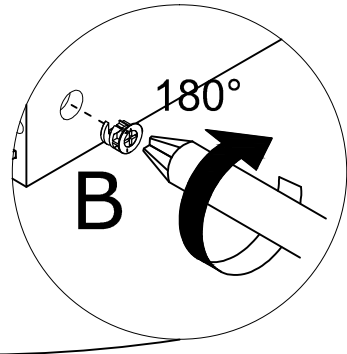
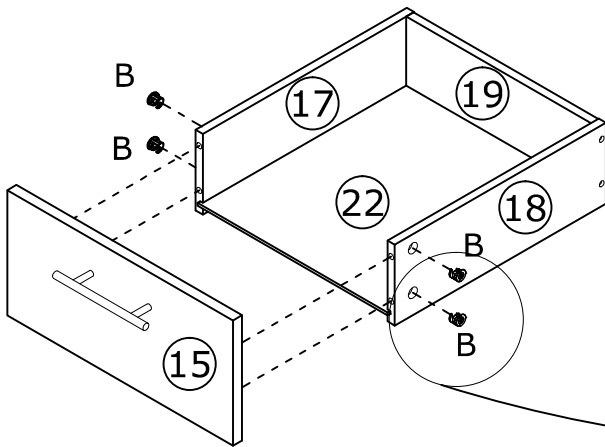
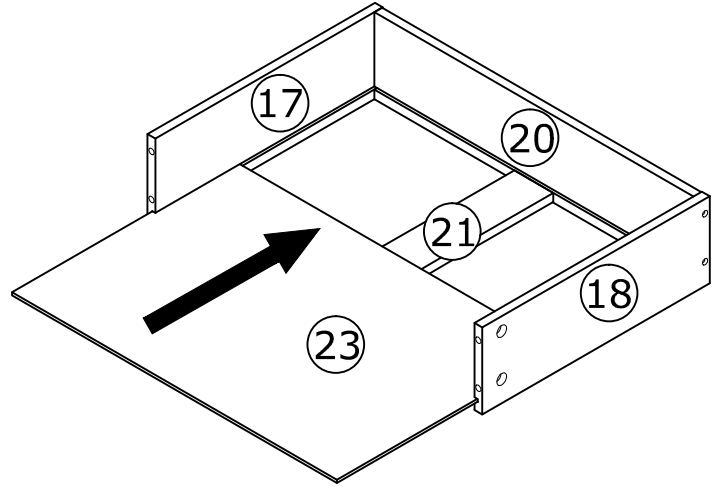
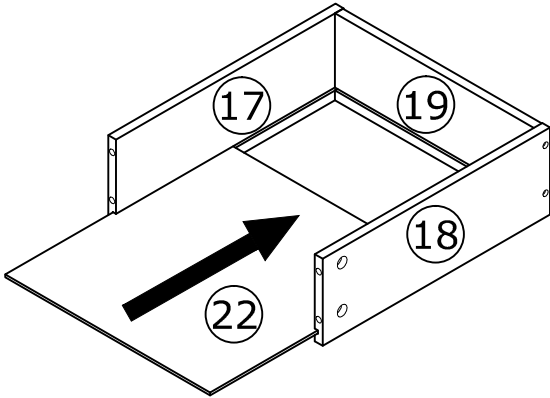
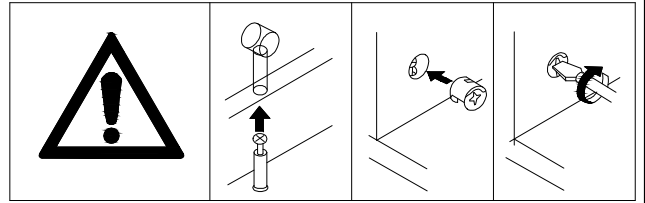
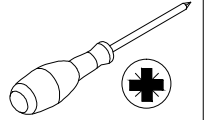


24

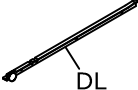
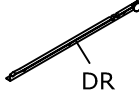

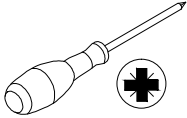
B x 10

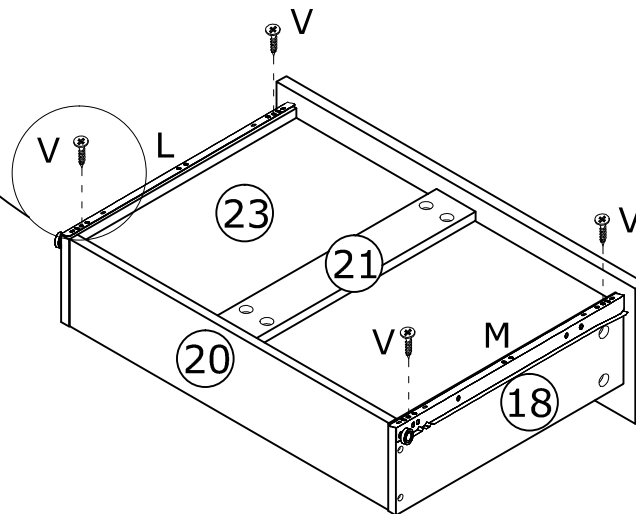
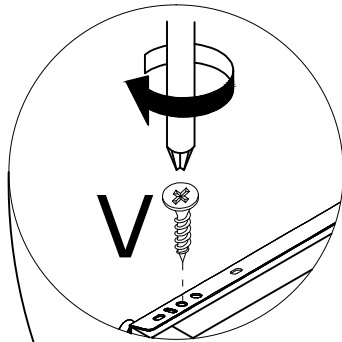
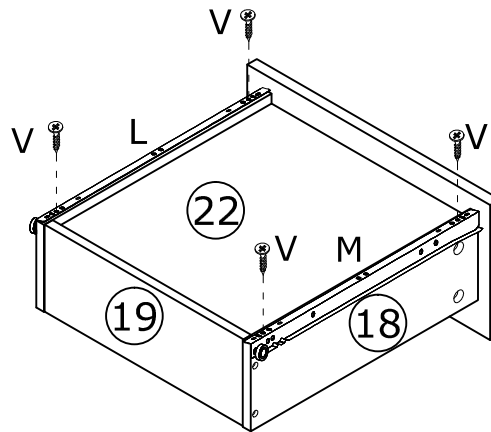


Ø15x9.5mm


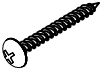


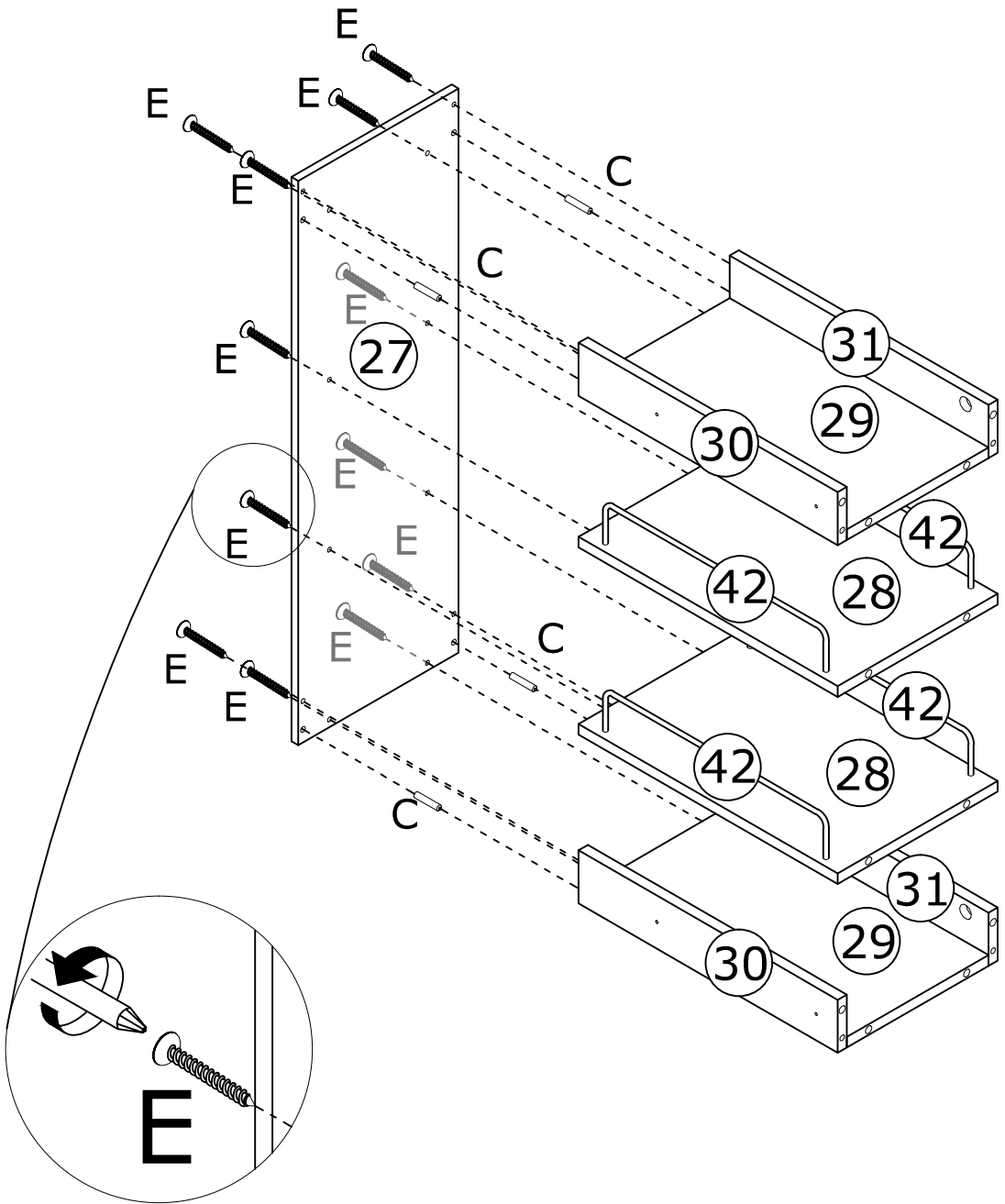
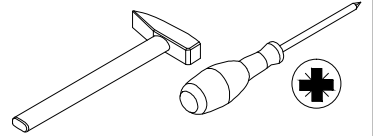
25

$L \times 2$  DL 350mm	$M \times 2$  DR 350mm	$V \times 8$  $\text{\O}3 \times 14\text{mm}$	
--	--	--	---



26

C x 4	E x 12
	
Ø6x30mm	Ø3.5x30mm

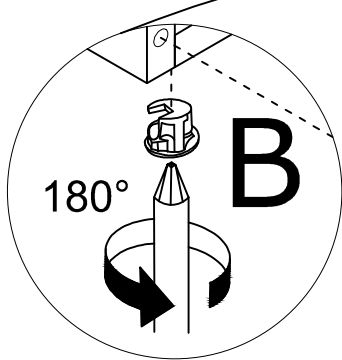
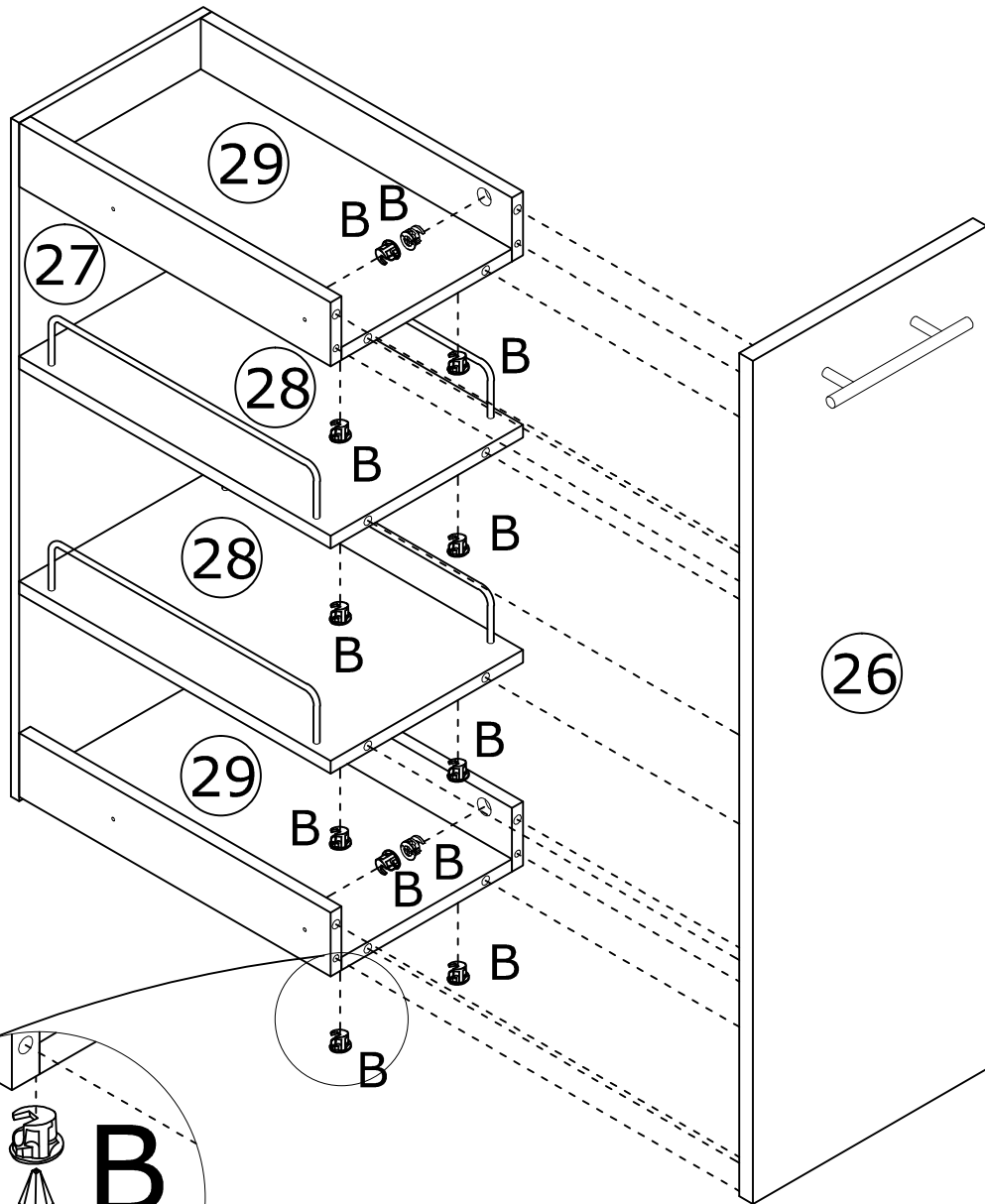
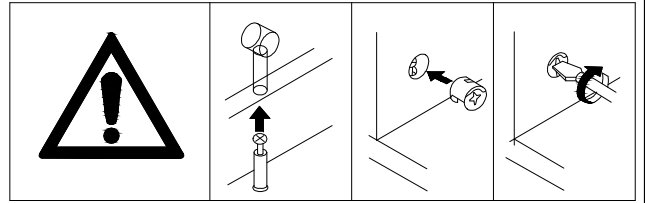
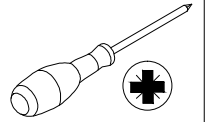


27

B x 12

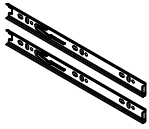


Ø15x9.5mm



28

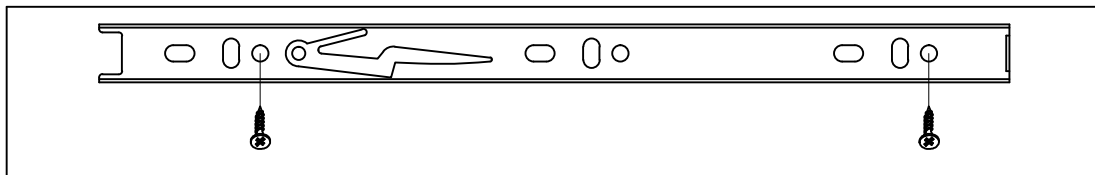
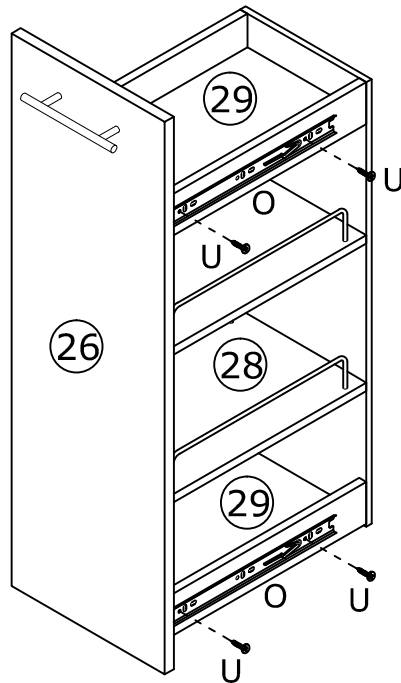
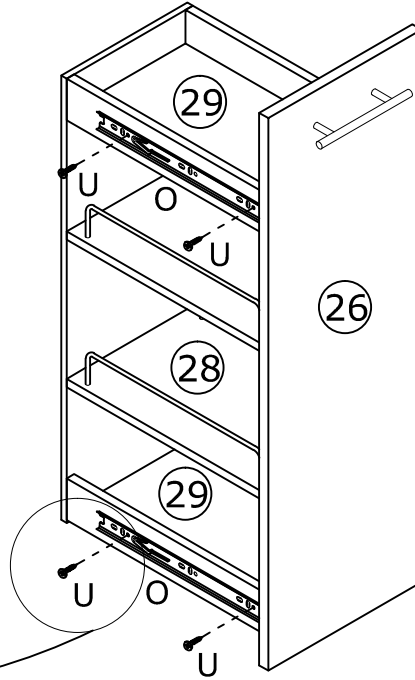
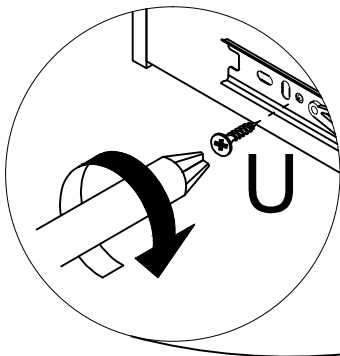
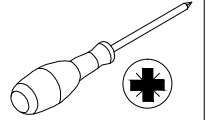
O x 2



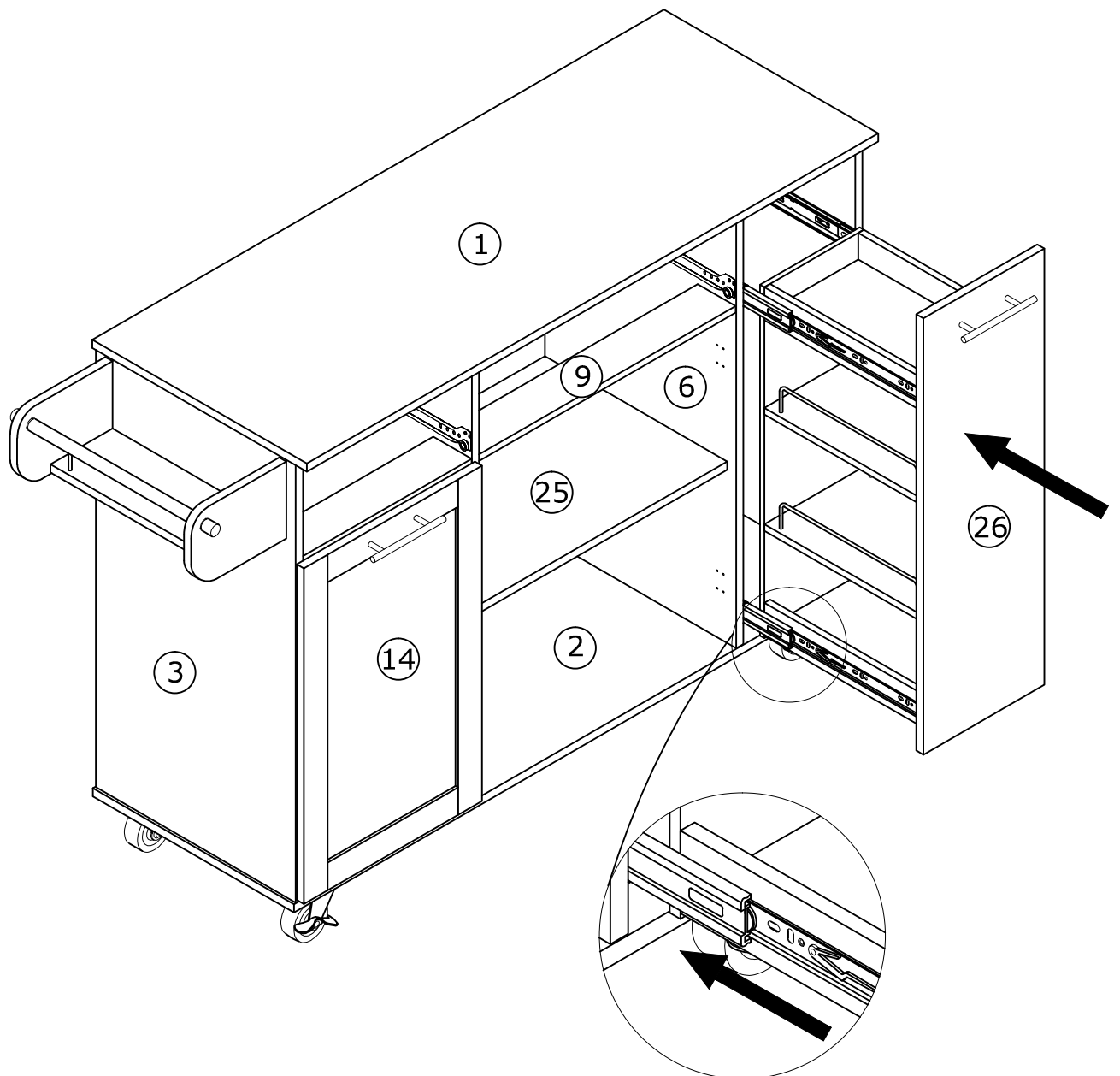
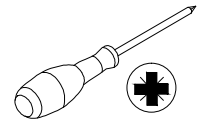
U x 8



Ø3x12mm



29

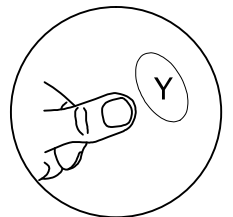
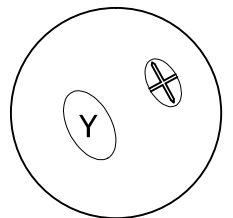
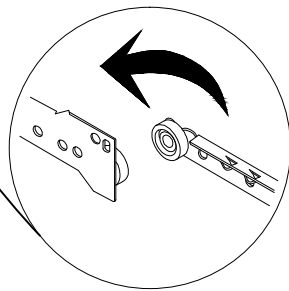
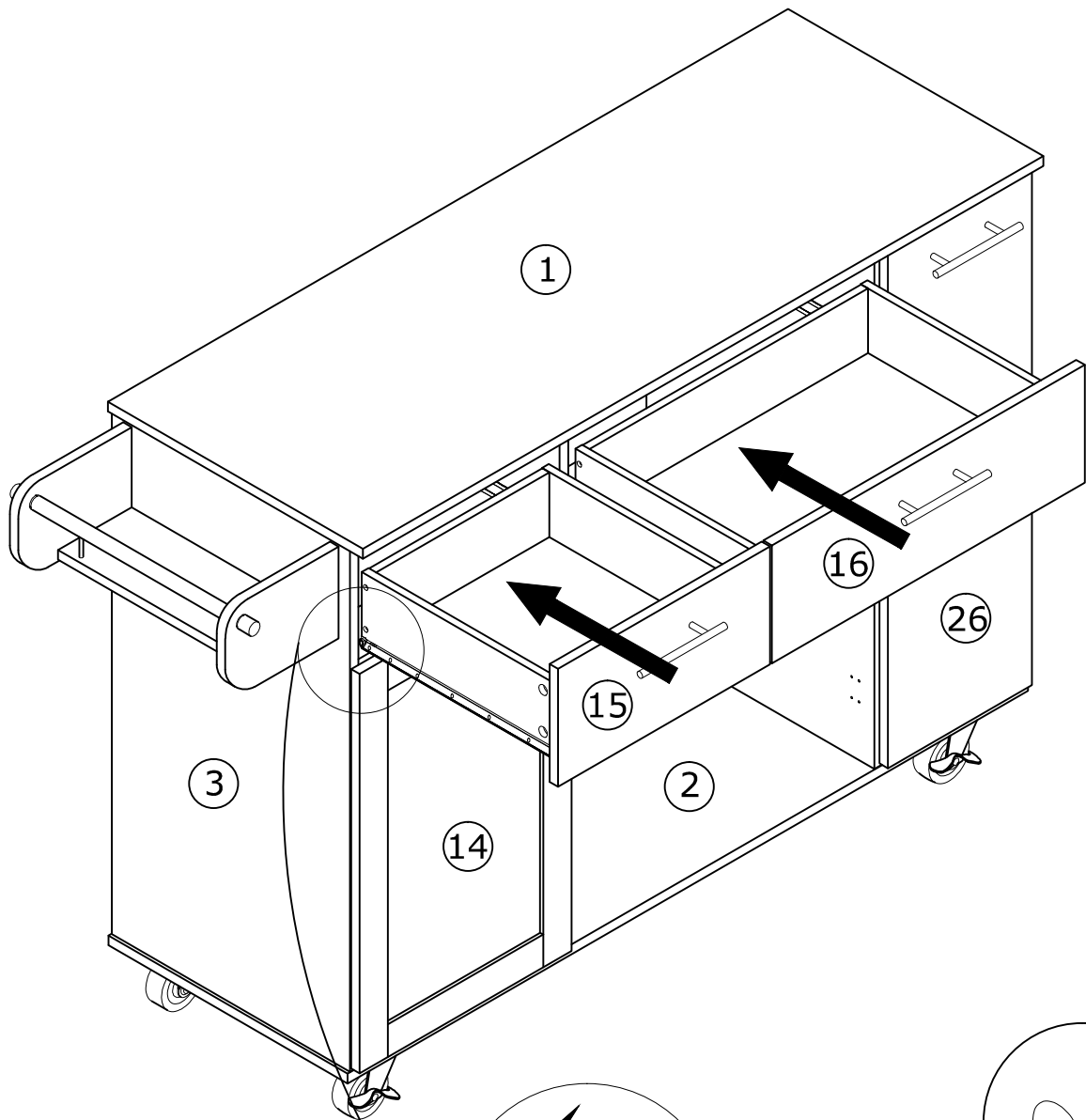


30

Y x 60



Ø20mm

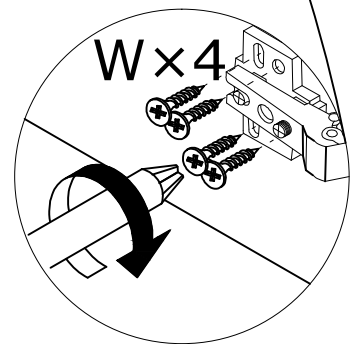
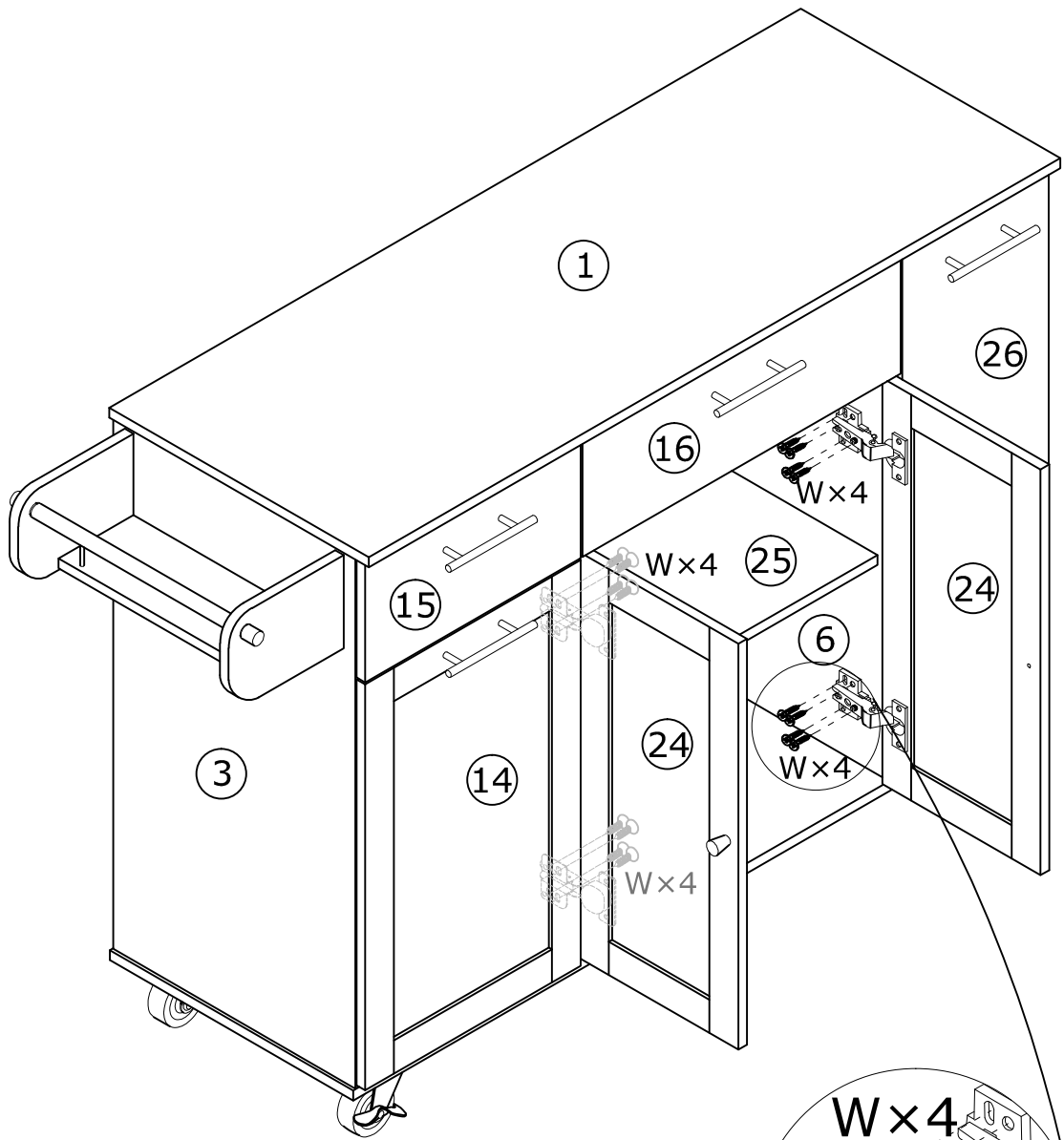
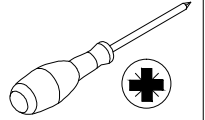


31

W × 16



Ø3.5×14mm



32

