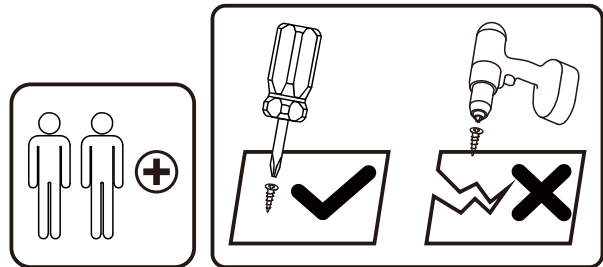
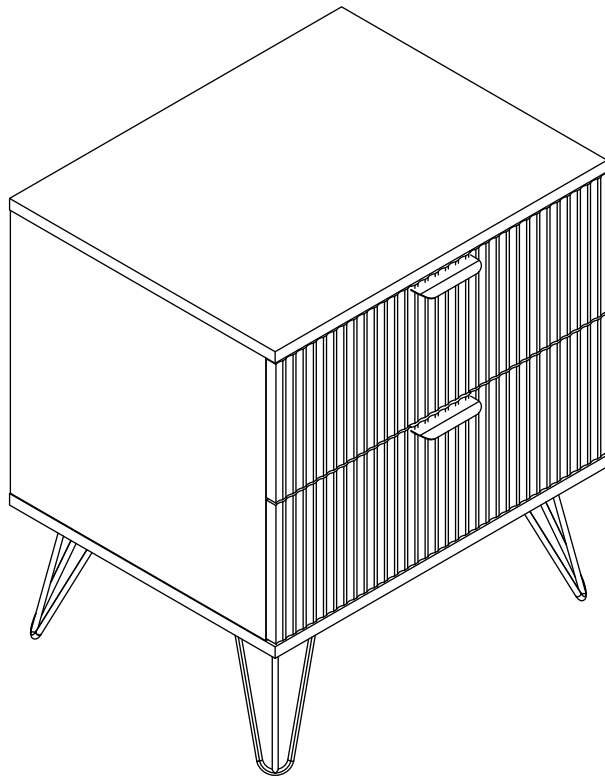


ASSEMBLY INSTRUCTIONS

Customer Service : cs@nbrehome.com



Tools Recommended

THIS INSTRUCTIONS CONTAINS IMPORTANT SAFETY INFORMATION.
PLEASE READ BEFORE ASSEMBLY AND KEEP FOR FUTURE REFERENCE.

Need Parts or Assistance? Email us : cs@nbrehome.com

IMPORTANT NOTICE

- This product contains small components, please ensure that they are kept away from small children.
- THIS INSTRUCTIONS CONTAINS IMPORTANT SAFETY INFORMATION. PLEASE READ BEFORE ASSEMBLY AND KEEP FOR FUTURE REFERENCE.
- Read each step carefully. It is very important that each step of instruction is performed in the correct order. If these steps are not followed in sequence, assembly difficulties will occur.
- Make sure all parts are included. Most parts are labelled or stamped on the raw edge.
- Work in spacious area, preferably on a carpet, near the place the unit will be used.
- Do not use power tools to assemble your furniture. Power tools may strip or damage the parts.
- Move your new furniture carefully, with two people lift and carry the unit to it's new location.
- Never push, drag or pull your furniture (especially on carpet)



PLEASE DO NOT RETURN PRODUCT TO US IMMEDIATELY

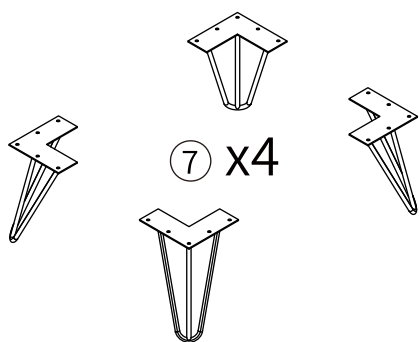
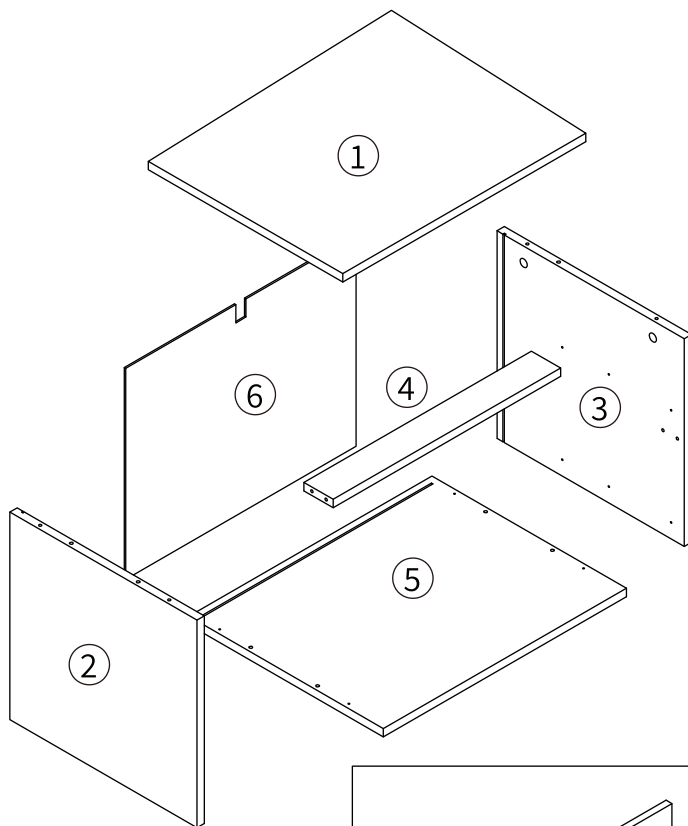
If a part is missing or damaged, email our customer service. We will gladly ship your replacement parts FREE of charge.

Need Parts or Assistance? Email us : cs@nbrehome.com

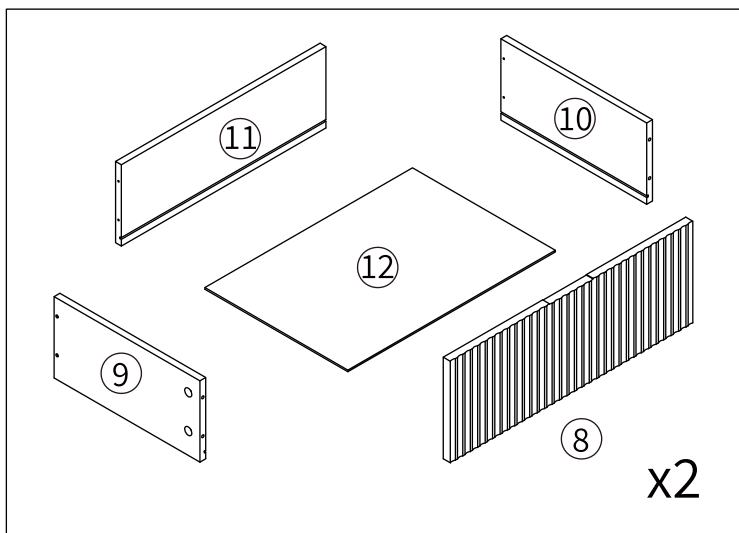
For Prompt, reliable service, please have your assemble instruction ready

 WARNING	
	Children have died from furniture tipover. To reduce the risk of furniture tipover: <ul style="list-style-type: none">• ALWAYS install anti-tip device provided.• NEVER put a TV on this product.• NEVER allow children to stand, climb or hang on any drawers, doors, or shelves.• NEVER open more than one drawer at a time.• Place heaviest items in the lowest drawers.
	<p>This is a permanent label. Do not remove!</p>



















The installation direction should be aligned with the instructions to prevent plate breakage caused by product tipping during installation.



7 x4

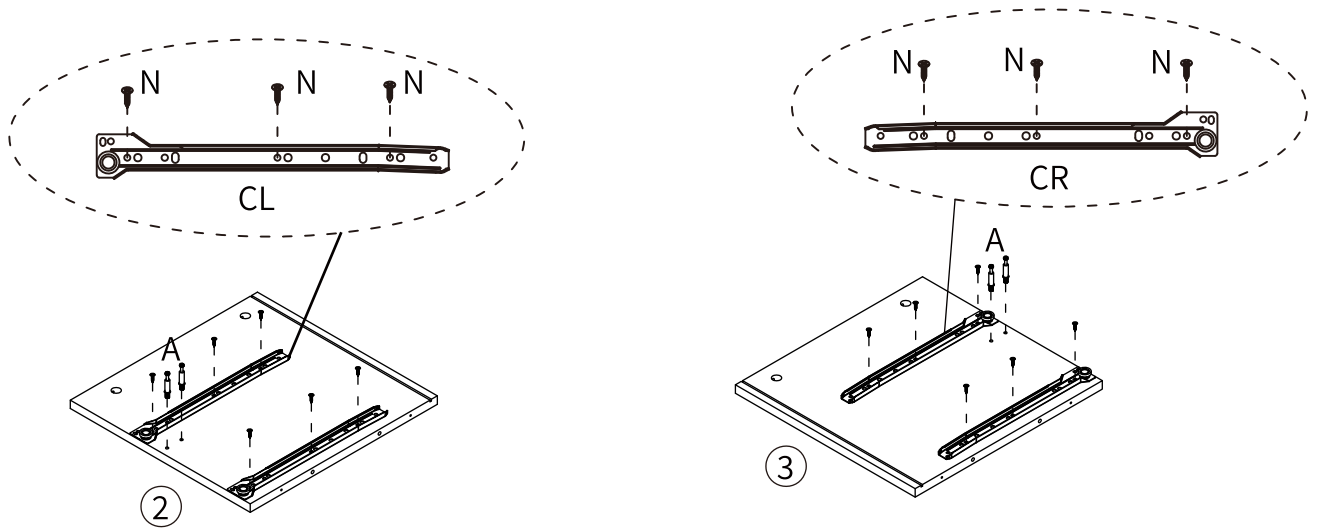






8 x2

A x16  6x35mm	B x16  6x35mm	C x8  6x30mm	D x4  4x40mm	E x2 	F x4  3x12mm	G x8  3x14mm
H x8 	I x1 	J x21  4x12mm	K x1  4x35mm	L x1 	M x8  4x30mm	N x24  3.5x12mm
CL x2 	CR x2 	DL x2 	DR x2 			

Step 1

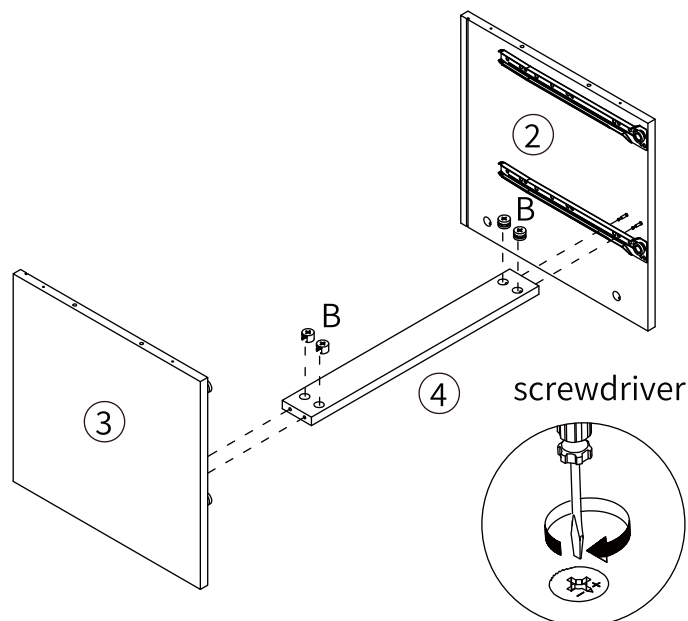
Lock the guide rail (CL) to the part ② with screw (N) and lock the guide rail (CR) to the part ③ with screw (N), insert the screw (A) into the corresponding holes on part ② & ③, the installation position is as shown.




N x12	CL x2	CR x2	A x4
			

Step 2

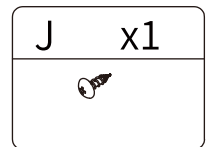
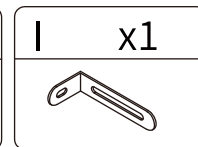
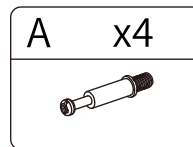
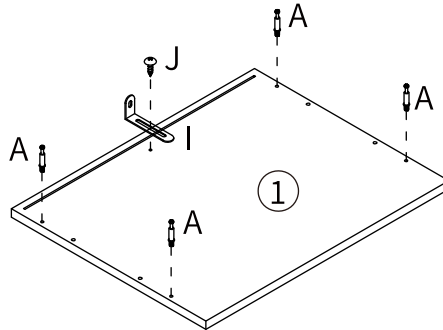
Connect part ② & ③ & ④ with cam lock (B), insert cam lock (B) into the corresponding holes on part ④ and use a screwdriver to turn it clockwise to tighten, the installation position is as shown.



B x4


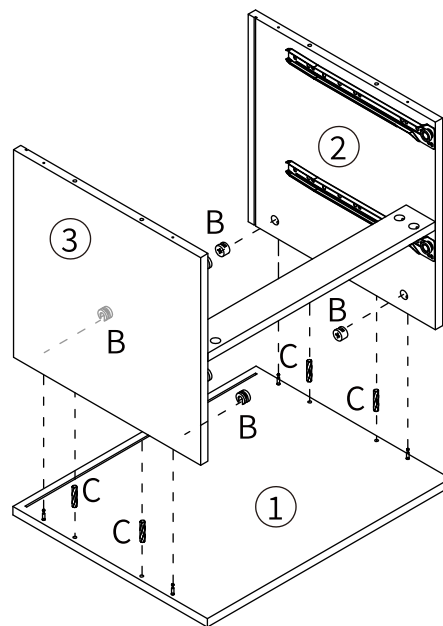
Step 3

Install the screw (A) on the part ①, fasten the L-shaped iron piece (I) with screw (J).

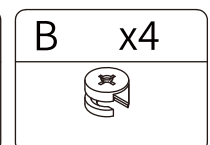
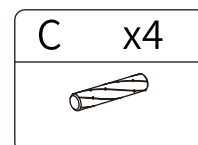
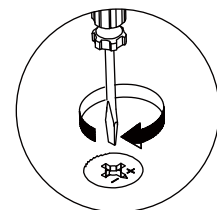


Step 4

Insert the dowel (C) on part ①, then connect ①&②&③ with cam lock (B), put the cam lock (B) into the corresponding holes on part ②&③ and use a screwdriver to turn it clockwise to tighten, the installation position is as shown.

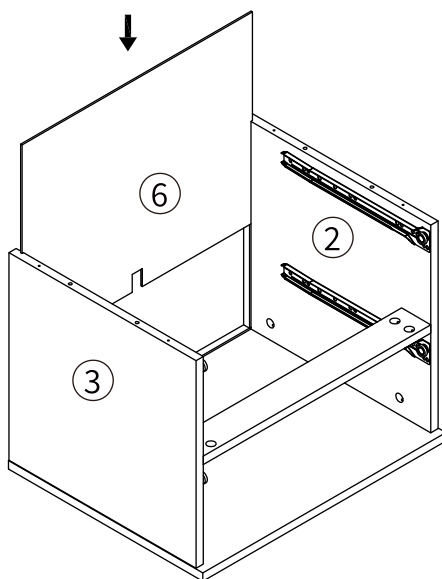


screwdriver



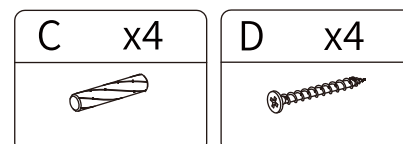
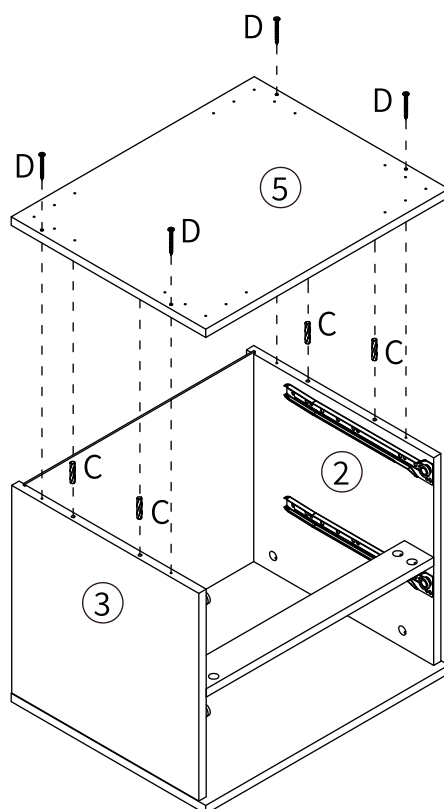
Step 5

Insert part ⑥ along the slot between part ② & ③, the position is as shown.



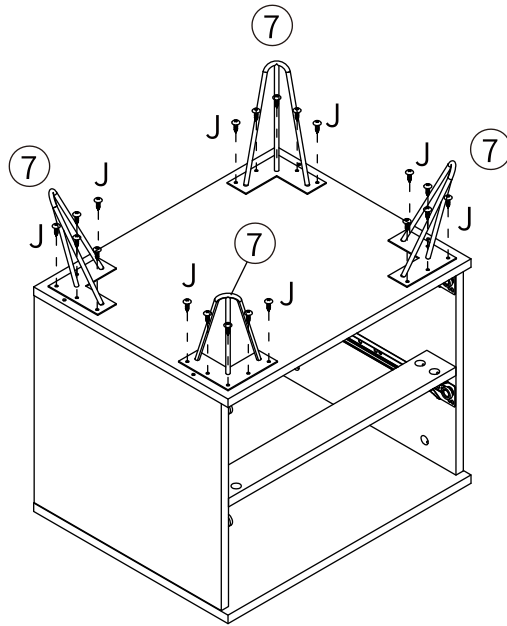
Step 6


Insert the dowel (C) on part ② & ③, then connect ② & ③ & ⑤ with screw (D), the installation position is as shown.



Step 7

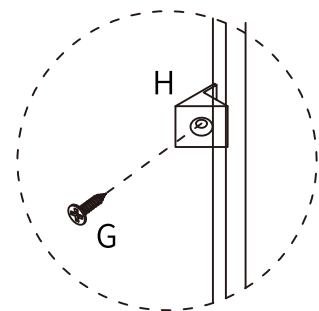
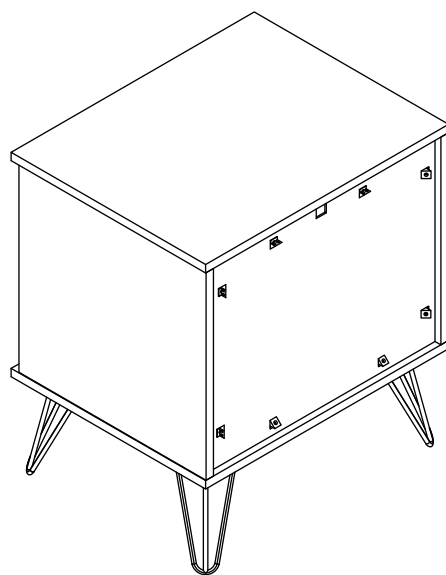
Connect metal legs (7) to part (5) with screw (J).





J	x20
	

Step 8

Use the screws in component (G), (H) to fasten the back plate buckle. The installation position is as shown.

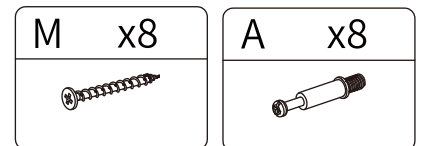
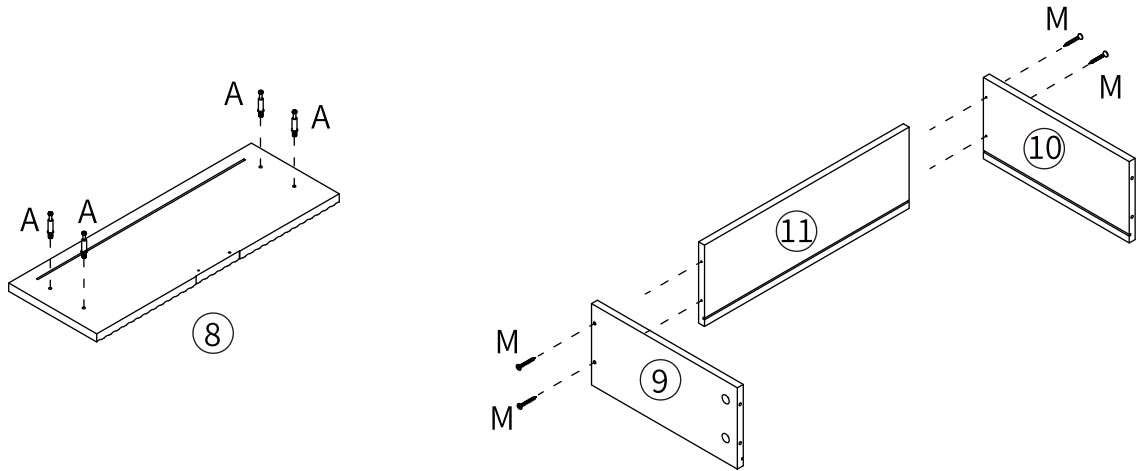


G	x8	H	x8
			

Step 9

Install the screw (A) on the drawer panel (8) and use the screw (M) to connect the side panels (9) & (10) and the back panel (11).

x2

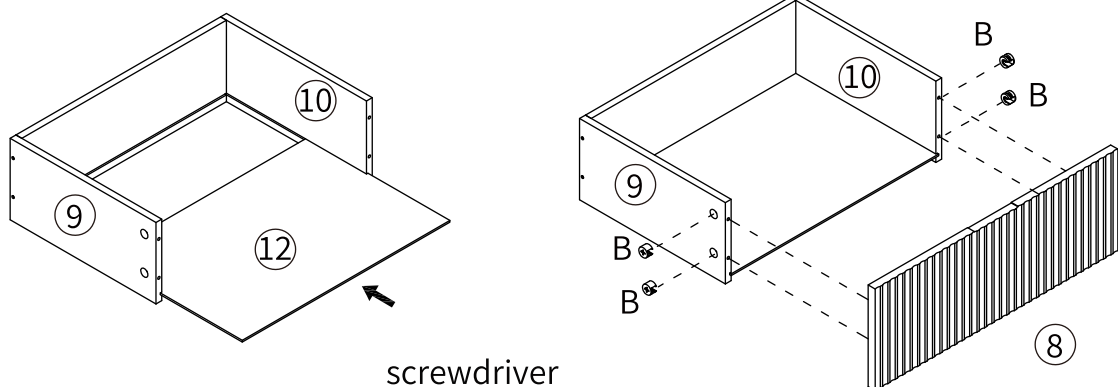


Step 10

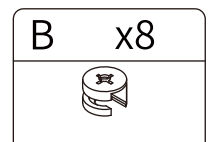
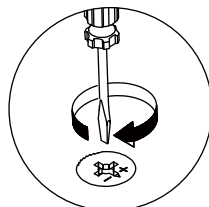
Insert the bottom plate (12) along the slot.

Put the cam lock (B) into the corresponding holes on part (9) & (10) and use a screwdriver to turn clockwise to tighten, assemble the drawer front plate (8) to the drawer.

x2



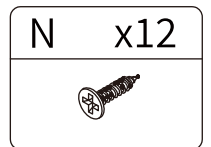
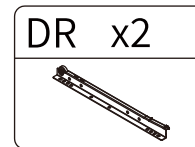
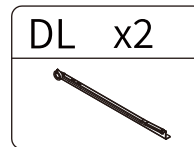
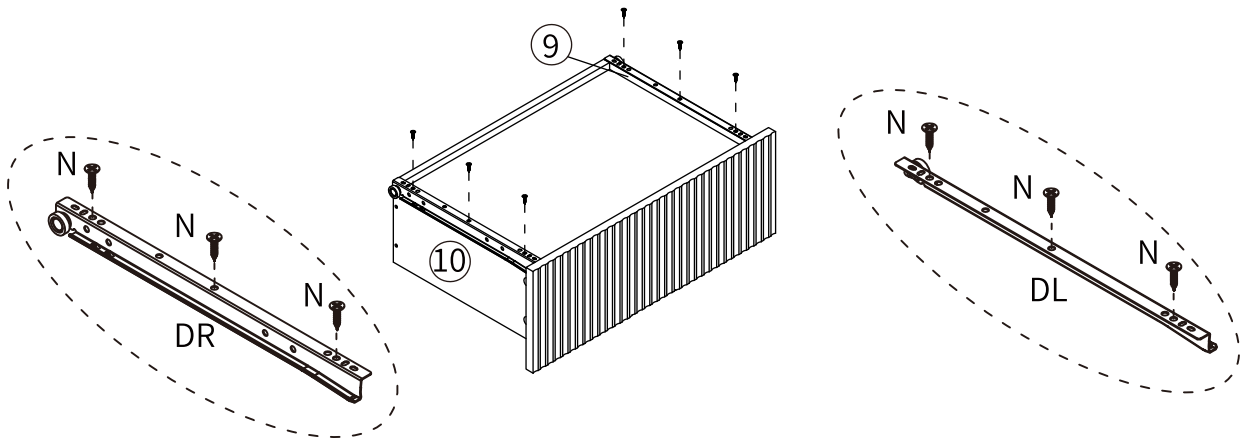
screwdriver



Step 11

Use the screw (N) to install the guide rail (DR) on the side panel ⑩ and install the guide rail (DL) on the side panel ⑨ with screw (N), the installation position is as shown.

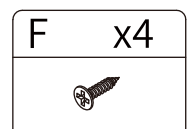
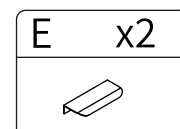
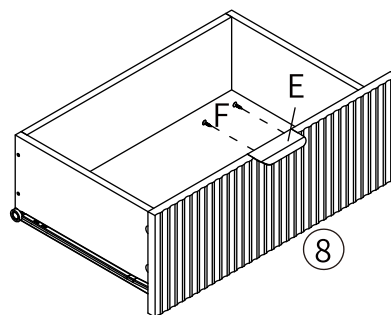
x2



Step 12

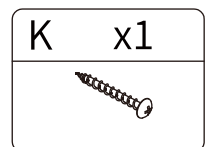
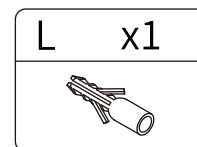
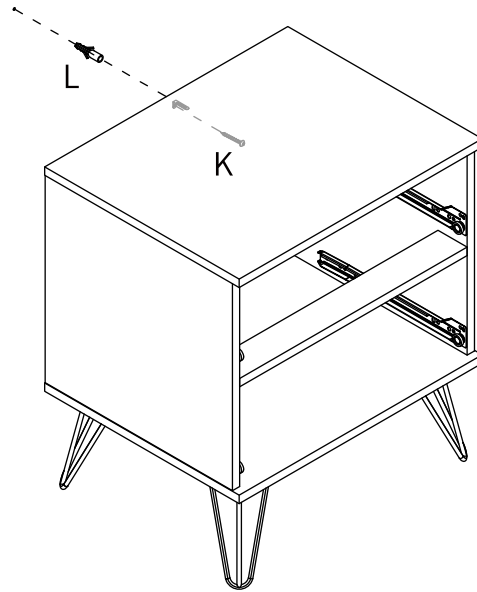
Use the screw (F) to lock the handle (E) on the drawer panel ⑧.

x2



Step 13

First drill holes on the wall where it is placed, then use expansion screw (L) to fix the cabinet with screw (K). The installation location is as shown.



Step 14

Install the drawer into the drawer spaces, the installation position is as shown.

