
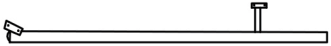


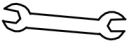
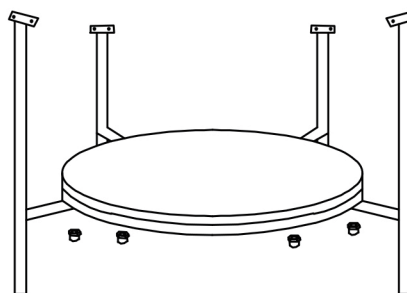


ASSEMBLY INSTRUCTIONS

<Before assembling, read all the instruction>

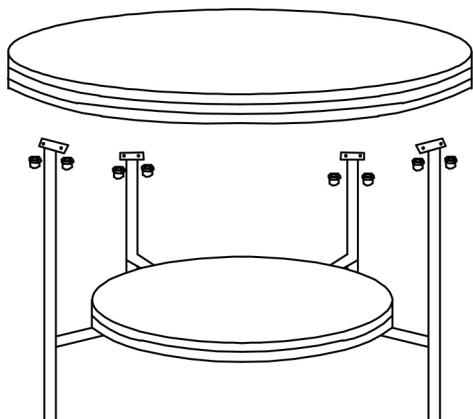
A	 table top	1PC
B	 table leg	4PCS
C	 bottom shelf	1PC
D	 nut	12PCS
E	 wrench	1PC

step1



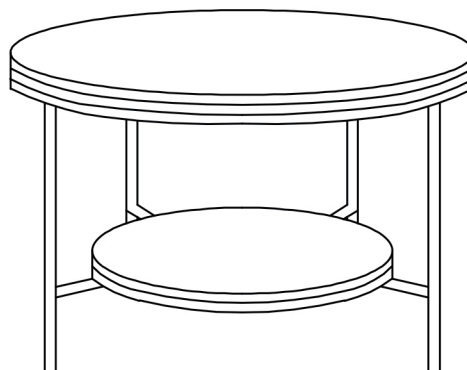
Assemble the bottom shelf and legs , then tighten the nuts .

step2



Assemble the table top and legs , then tighten the nuts .

step3



SAFETY NOTICE

PREVENT FURNITURE TIP OVER ACCIDENTS

Free Standing Furniture above 600mm in height must be securely attached to the wall to prevent it from tipping over and causing injury.

Please Use the anti-tip restraint provided



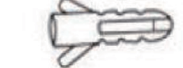


One end of this restraint must be secured to the cabinet with the screw(s) provided in the fittings pack.

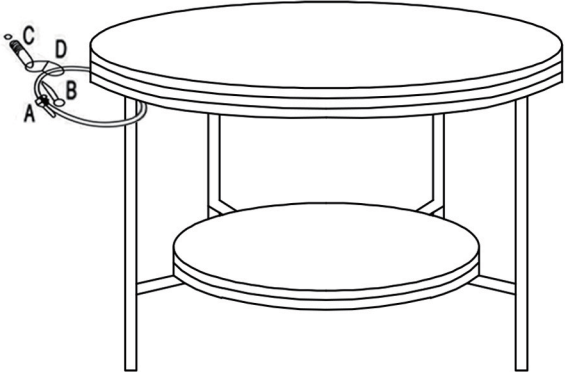
The other end of the restraint must be attached to the wall with hardware appropriate for that wall type.

Never put a TV or other heavy objects on top of a chest of drawers or any furniture not intended for use with a TV.

Place heavy objects in the lowest drawers or shelves

Never let children climb or hang on drawers, doors or shelves

Hardware	
A. Nylon anchor x2	
B. Long Screw x2	
C. Plastic anchor x2	
D. Wall Brackets x2	
E. Short Screw x2	



The diagram shows a two-tier table with a round top and a round base. On the left side, there are four labels: 'A' points to a screw on the base, 'B' points to a screw on the top, 'C' points to a wall bracket on the wall, and 'D' points to a screw on the wall bracket.