



# PENDANT LAMP ASSEMBLING INSTRUCTION

Please read the instructions care fully before start insatllation



Suggested tools for assembling



Wrench



Screw driver



Drill



Measurement tape

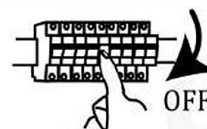
Before start assembling

- Safety first
- Turn off power
- Use proper tools
- Check for damage
- Follow the instructions
- Keep the product dry
- Don't work alone
- Seek professional help

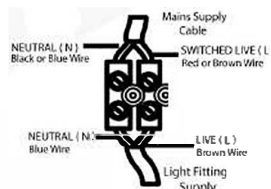
**WARNING !!!**

Before proceeding make sure the electricity is switch off at the main supply

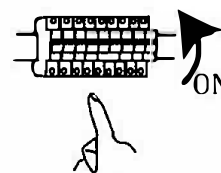
Basic installation Instructions



Make sure to turn off the power source to the circuit you will be working on. Locate the circuit breaker or fusebox and turn off the switch or remove the fuse that controls the circuit.



Use wire connectors for safty connection. Wire connectors are a common and important electromechanical component. Connectors can join to



Dont forget to restore the power supply after the full installation

Continue to next page for the product Assembling

**WARNING !!!**

Before proceeding make sure the electricity is switch off at the main supply

## ACCESSORIES FIGURE

	x1Pcs <b>A</b>		— x1Pcs <b>G</b>	
	x2Pcs <b>B</b>		— x1Pcs <b>H</b>	
	— x2Pcs <b>C</b>		— x1Pcs <b>I</b>	
	— x2Pcs <b>D</b>		— x1Pcs <b>J</b>	
	— x1Pcs <b>E</b>		— x1Pcs <b>L</b>	
	— x1Pcs <b>F</b>			

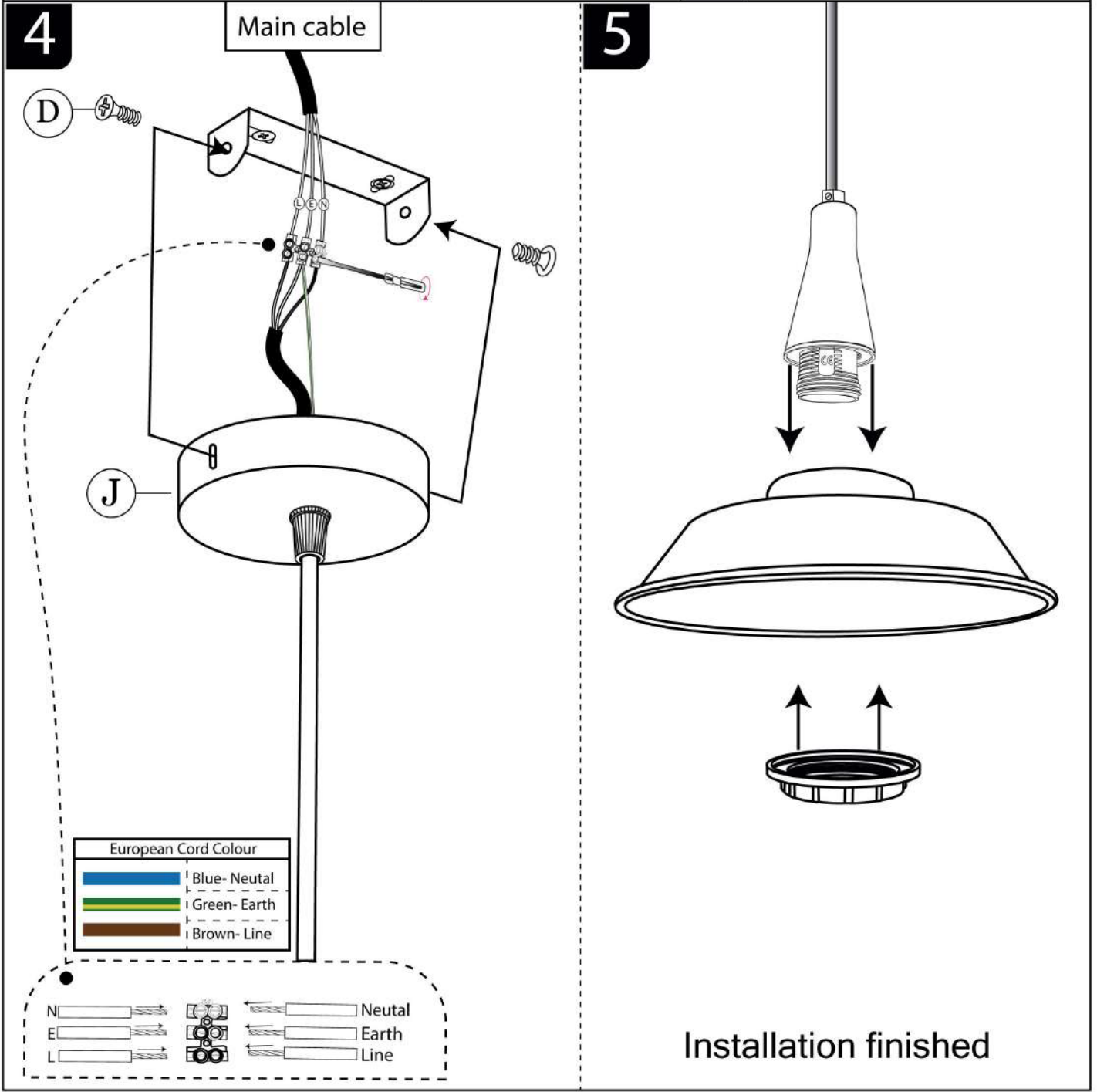
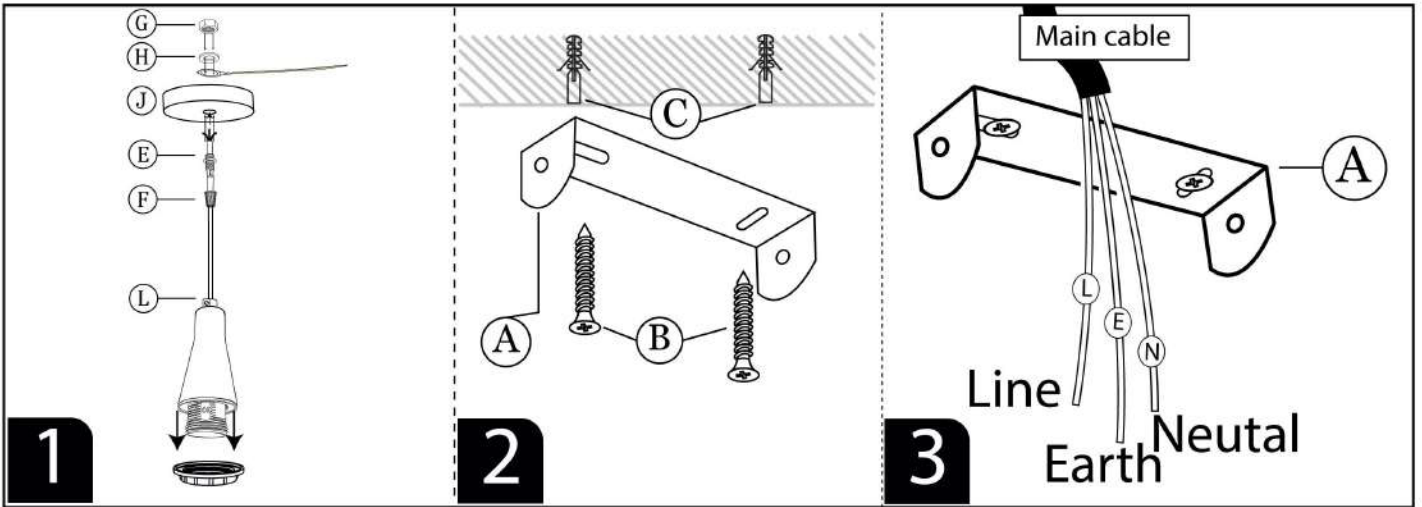


110V-240V~50Hz

RoHS



# PENDANT LAMP ASSEMBLING INSTRUCTION



Installation finished