

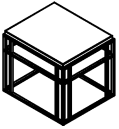
ASSEMBLY INSTRUCTIONS

114-915 END TABLE

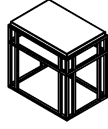
114-918 CHAIRSIDE TABLE

114-925 SOFA TABLE

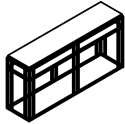
114-912 SQUARE COFFEE TABLE



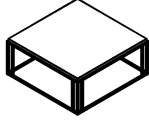
114-915



114-918



114-925



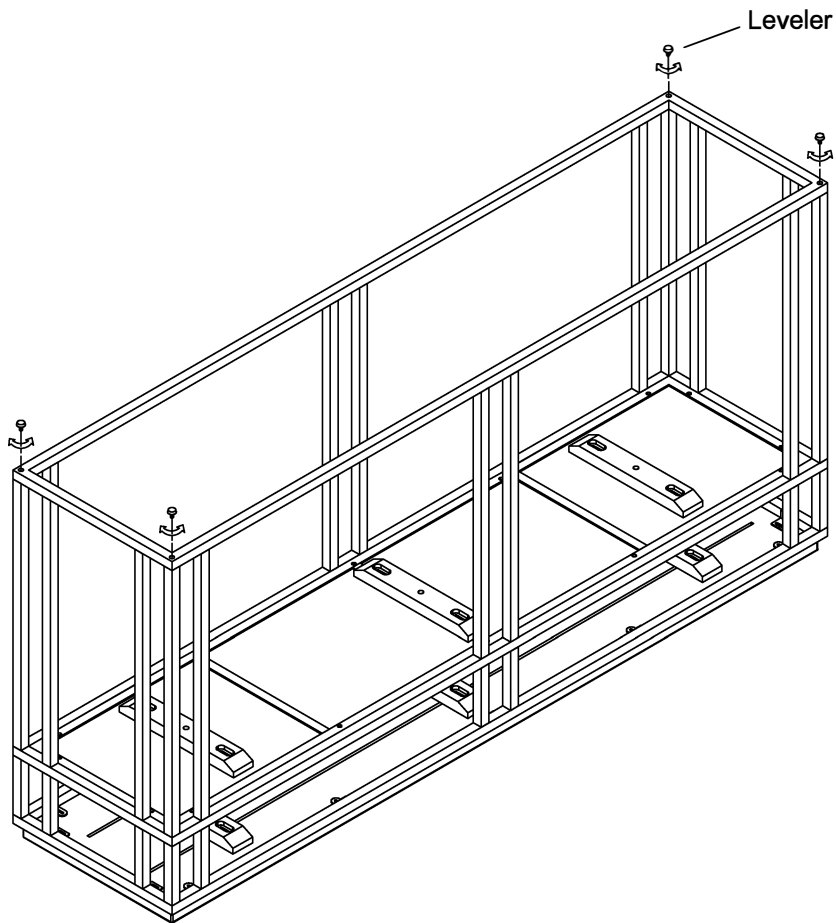
114-912

IMPORTANT NOTES :

- . Place all parts on the clean and smooth surface such as a rug or carpet to prevent the parts from being scratched.
- . Check to be sure that you have all parts and hardware.
- . Remove all wrapping materials, including staples and packing straps before you start to assemble.
- . Do not tighten all screws and bolts until completely assembled.
- . Keep all hardware out of the reach of children.

Note:

1. Adjust levelers on the bottom of table legs to make table flat.



MADE IN VIETNAM