



**INSTRUCTIONS D'ASSEMBLAGE  
ASSEMBLY INSTRUCTIONS**

---

---

**TABLE D'APPOINT -  
48" L / CONSOLE D'ENTREE SIMILI-CIMENT**

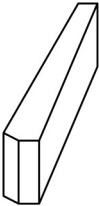
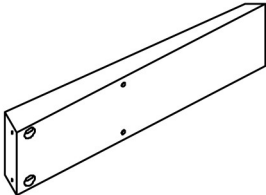
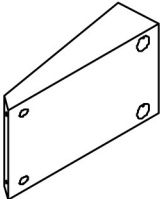
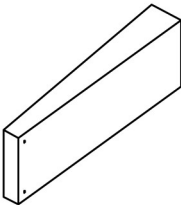
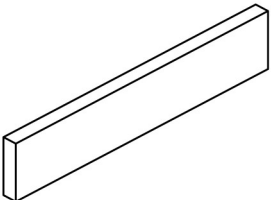
**ACCENT TABLE -  
48" L / CEMENT-LOOK HALL CONSOLE**



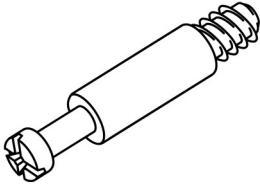
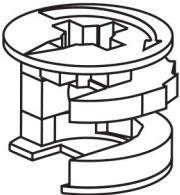
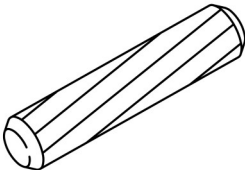
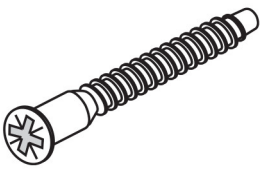
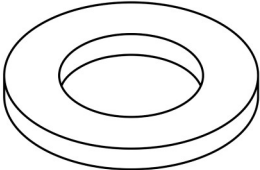
**POUR DE L'ASSISTANCE OU POUR COMMANDER  
DES PIÈCES CONTACTEZ NOTRE DÉPARTEMENT  
DE SERVICE À LA CLIENTÈLE.**

**FOR ASSISTANCE OR TO ORDER PARTS  
CONTACT OUR CUSTOMER SERVICE DEPARTMENT**

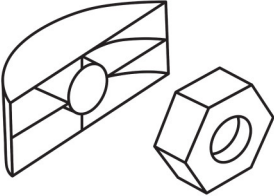
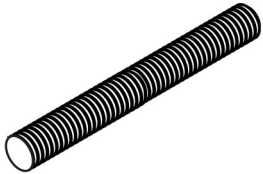
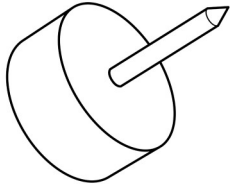
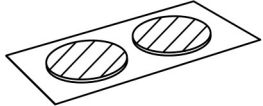
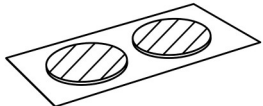
**LISTE DES PIÈCES**  
**PARTS LIST**

PIÈCE / PART #	IMAGE	DESCRIPTION	QTY / QTÉ
<b>1</b>		<b>FRONT FACING LEFT LEG PATTE AVANT GAUCHE</b>	<b>1</b>
<b>2</b>		<b>SUPPORT PANEL PANNEAU DE SOUTIENT</b>	<b>1</b>
<b>3</b>		<b>SUPPORT PANEL PANNEAU DE SOUTIENT</b>	<b>1</b>
<b>4</b>		<b>FRONT FACING RIGHT LEG PATTE AVANT DROITE</b>	<b>1</b>
<b>5</b>		<b>TABLE TOP SURFACE DE TABLE</b>	<b>1</b>

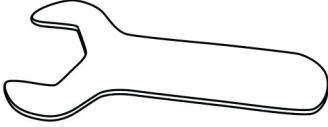
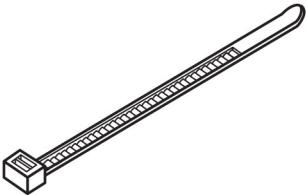
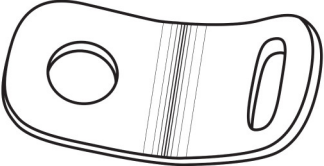
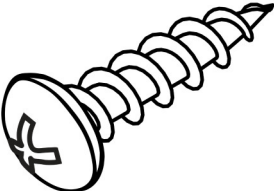
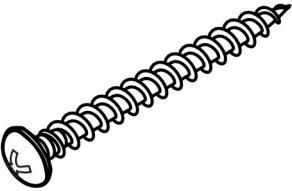
**LISTE DES PIÈCES DE MONTAGE**  
**HARDWARE LIST**

PIÈCE / PART #	IMAGE	DESCRIPTION	QTY / QTÉ
<b>A</b>		CAM LOCK SCREW - 1 1/8" VIS CAM LOCK - 1 1/8"	4
<b>B</b>		CAM LOCK CONNECTOR - Ø1/2" ÉCROU CAM LOCK - Ø1/2"	4
<b>C</b>		WOOD DOWEL - Ø3/8" X 1" GOUJON DE BOIS - Ø3/8" X 1"	8
<b>D</b>		ASSEMBLING BOLT - Ø1/4" X 2 1/4" BOULON D'ASSEMBLAGE - Ø1/4" X 2 1/4"	4
<b>E</b>		METAL WASHER - Ø3/8" X 5/8" RONDELLE DE MÉTAL - Ø3/8" X 5/8"	8

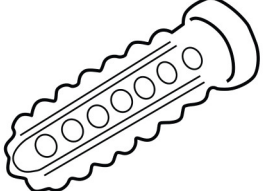
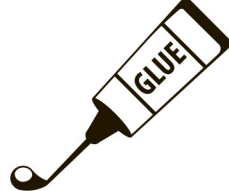
**LISTE DES PIÈCES DE MONTAGE**  
**HARDWARE LIST**

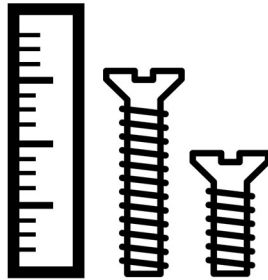
PIÈCE / PART #	IMAGE	DESCRIPTION	QTY / QTÉ
F		<p style="text-align: center;">NUT SET ENSEMBLE D'ÉCROU</p>	4
G		<p style="text-align: center;">THREADED ROD - Ø3/8" X 3" TIGE FILETÉE - Ø3/8" X 3"</p>	4
H		<p style="text-align: center;">FLOOR PROTECTOR - Ø5/8" PROTECTEUR DE PLANCHER - Ø5/8"</p>	4
I		<p style="text-align: center;">FINISHING STICKER - Ø7/8" COLLANT DE FINITION - Ø7/8"</p>	8
J		<p style="text-align: center;">FINISHING STICKER - Ø1 3/4" COLLANT DE FINITION - Ø1 3/4"</p>	4

**LISTE DES PIÈCES DE MONTAGE**  
**HARDWARE LIST**

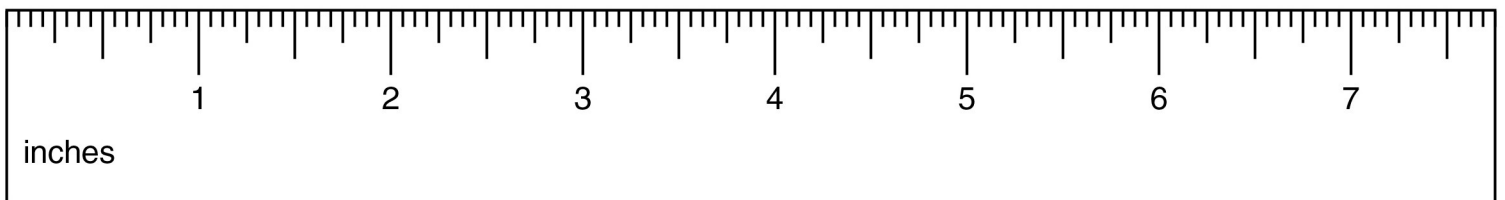
PIÈCE / PART #	IMAGE	DESCRIPTION	QTY / QTÉ
K		<p style="text-align: center;">SPANNER CLÉ ANGLAISE</p>	1
L		<p style="text-align: center;">ZIP TIE - 7 3/4" X 1/8" ATTACHE AUTOBLOQUANTE - 7 3/4" X 1/8"</p>	1
M		<p style="text-align: center;">METAL BRACKET - 1/2" X 1/2" SUPPORT DE MÉTAL - 1/2" X 1/2"</p>	2
N		<p style="text-align: center;">ASSEMBLING SCREW - Ø1/8" X 1" VIS D'ASSEMBLAGE - Ø1/8" X 1"</p>	1
O		<p style="text-align: center;">ASSEMBLING SCREW - Ø1/8" X 1 1/2" VIS D'ASSEMBLAGE - Ø1/8" X 1 1/2"</p>	1

**LISTE DES PIÈCES DE MONTAGE**  
**HARDWARE LIST**

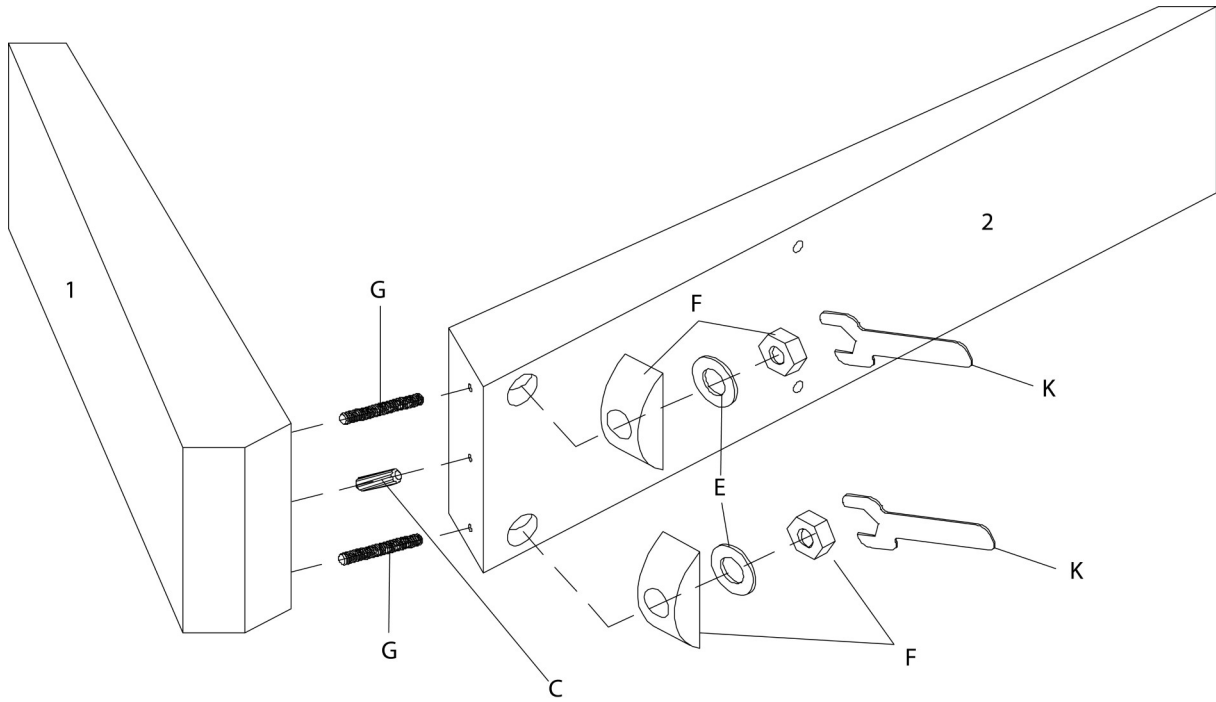
PIÈCE / PART #	IMAGE	DESCRIPTION	QTY / QTÉ
P	 A technical drawing of an anchor bolt. It features a cylindrical head with a hexagonal base and a threaded shaft with a series of circular indentations along its length. The end of the shaft is flared and has a scalloped edge.	ANCHOR - Ø3/8" X 1 1/2"  ANCRE - Ø3/8" X 1 1/2"	1
Q	 A technical drawing of a glue applicator. It consists of a small, rectangular tube with a pointed nozzle at one end. The tube is labeled 'GLUE' in capital letters.	GLUE  COLLE	1



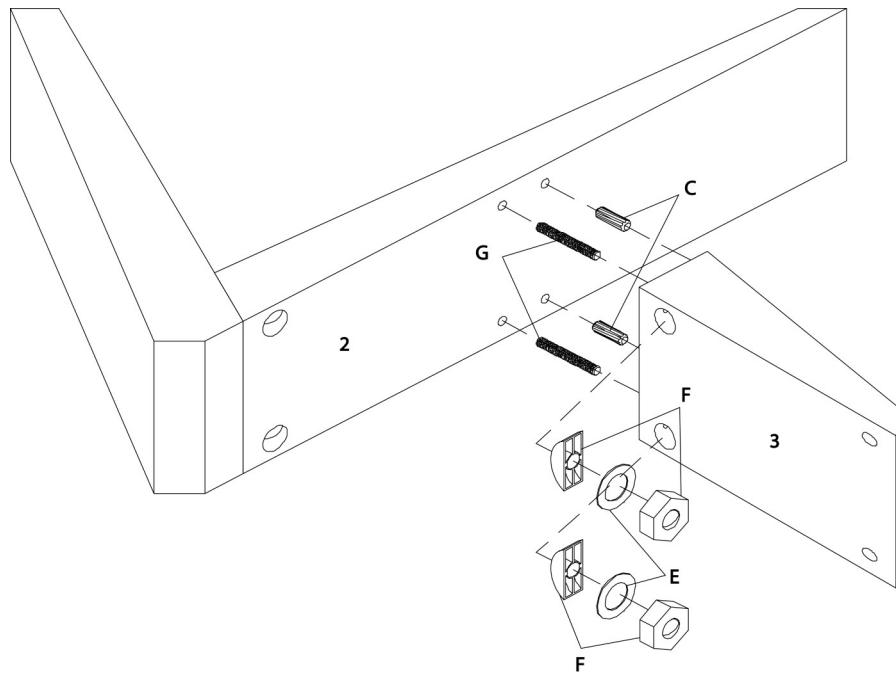
**OUTIL DE VÉRIFICATION DE DIMENSIONS DES PIÈCES  
HARDWARE DIMENSIONS VERIFICATION TOOL**



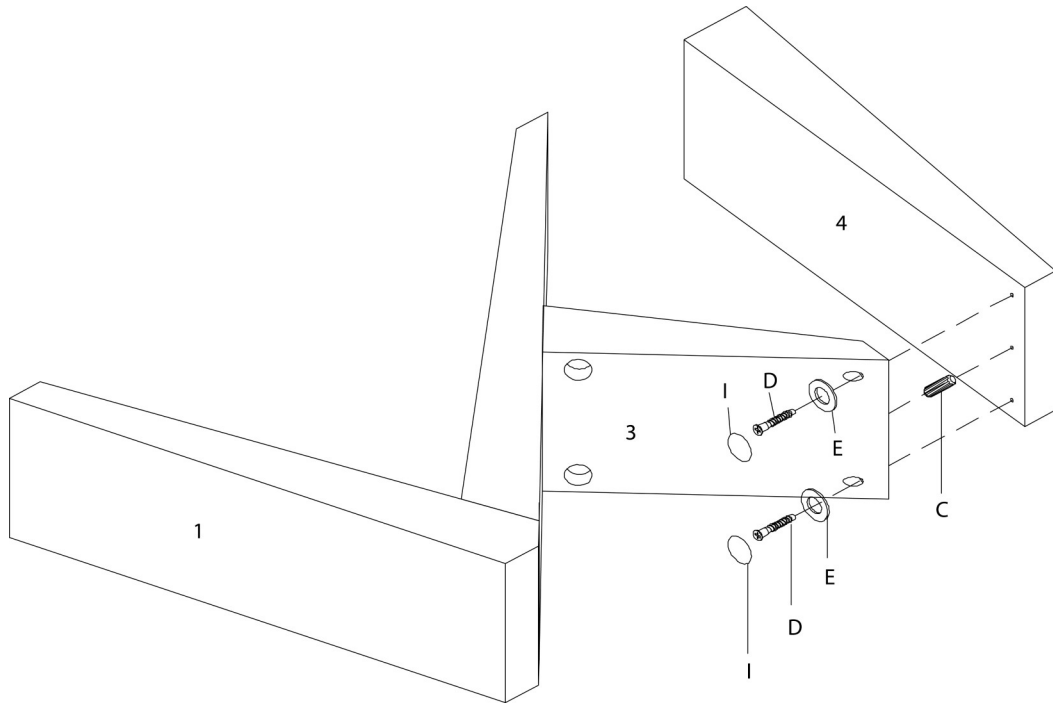
ÉTAPE / STEP 1



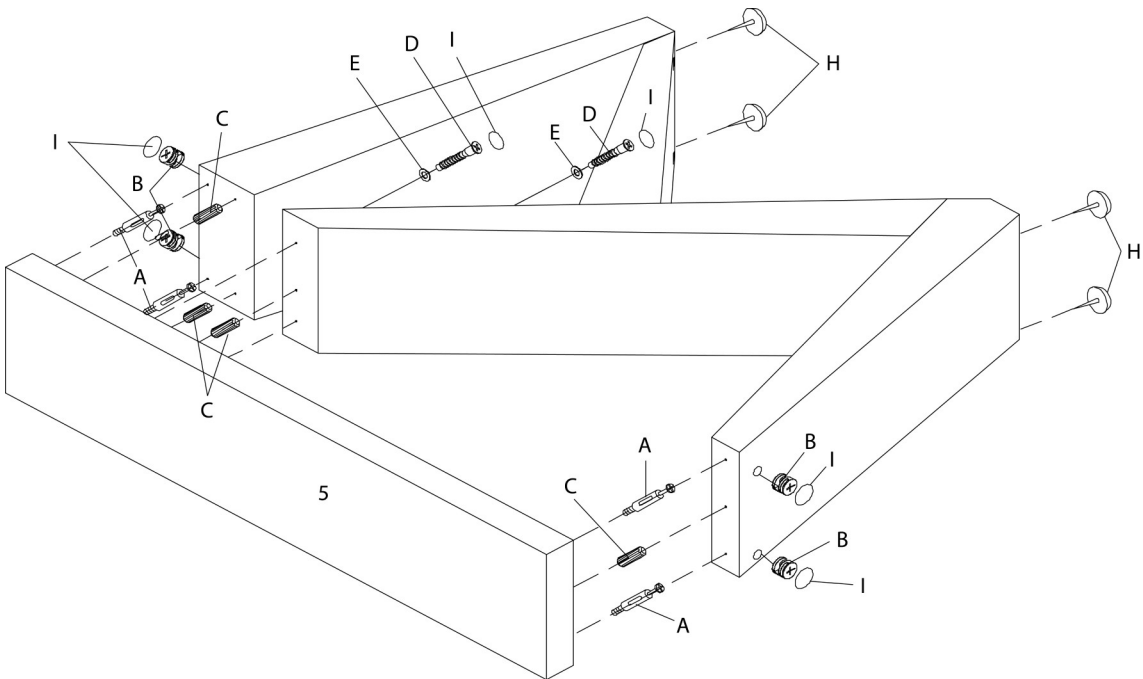
ÉTAPE / STEP 2



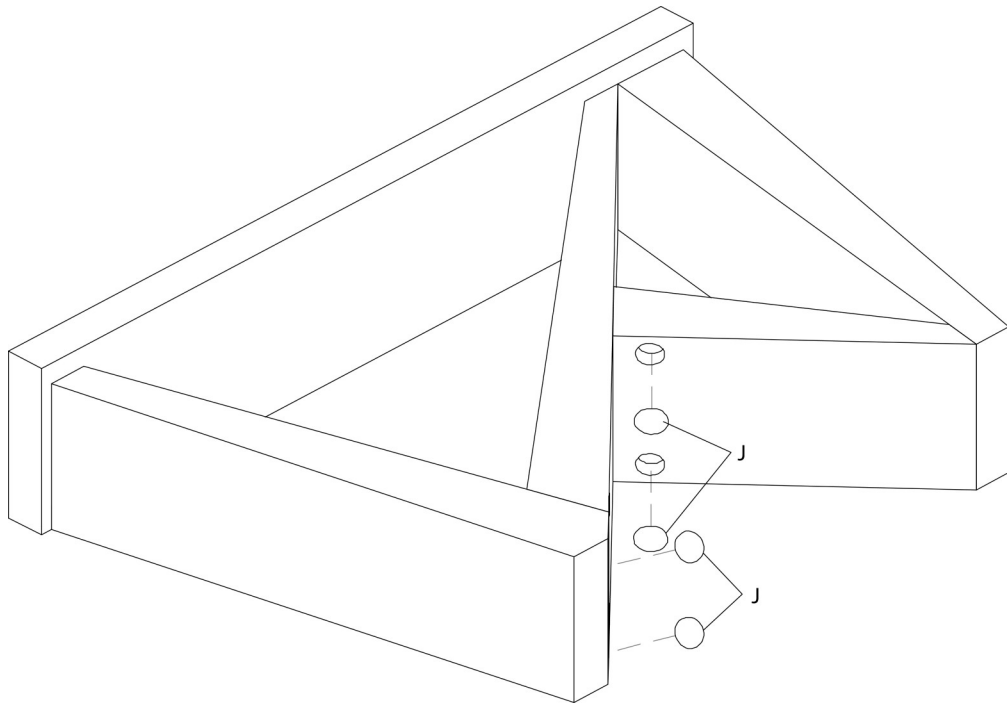
ÉTAPE / STEP 3



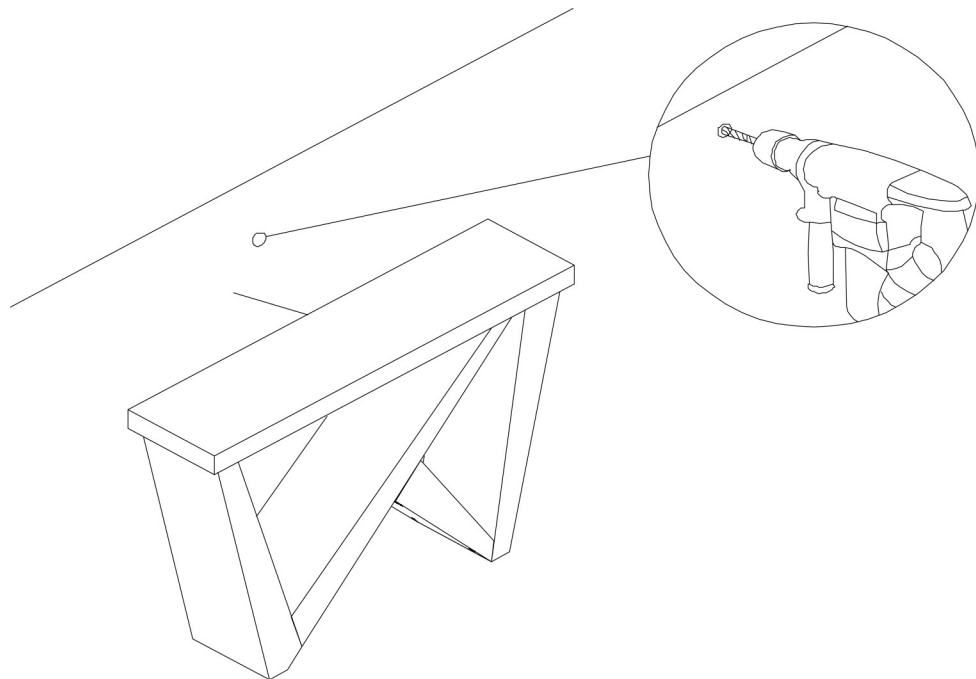
ÉTAPE / STEP 4



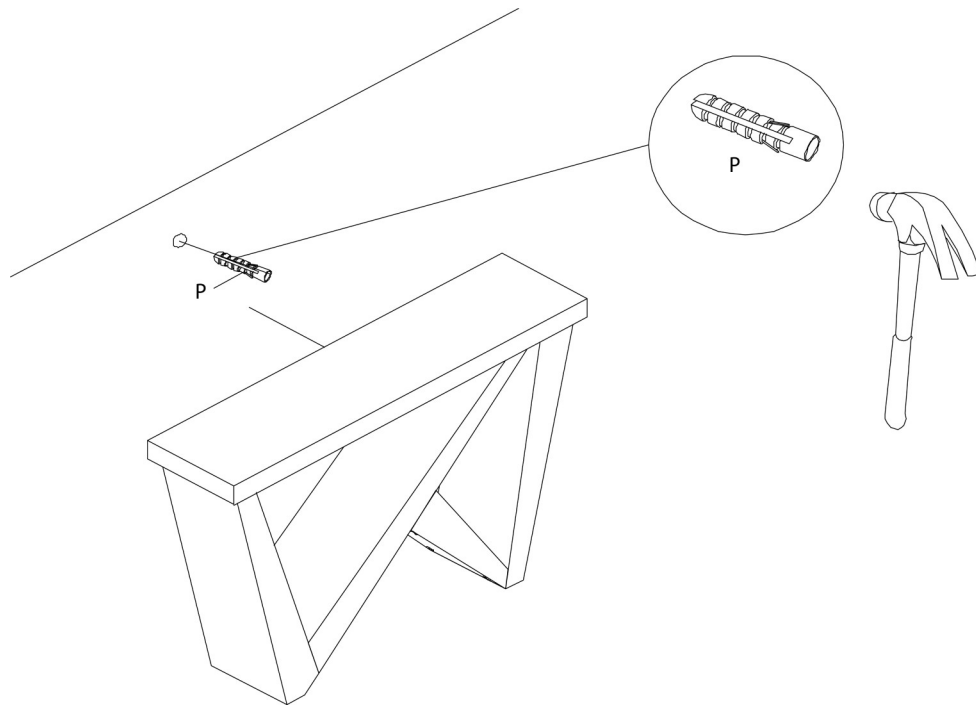
**ÉTAPE / STEP 5**



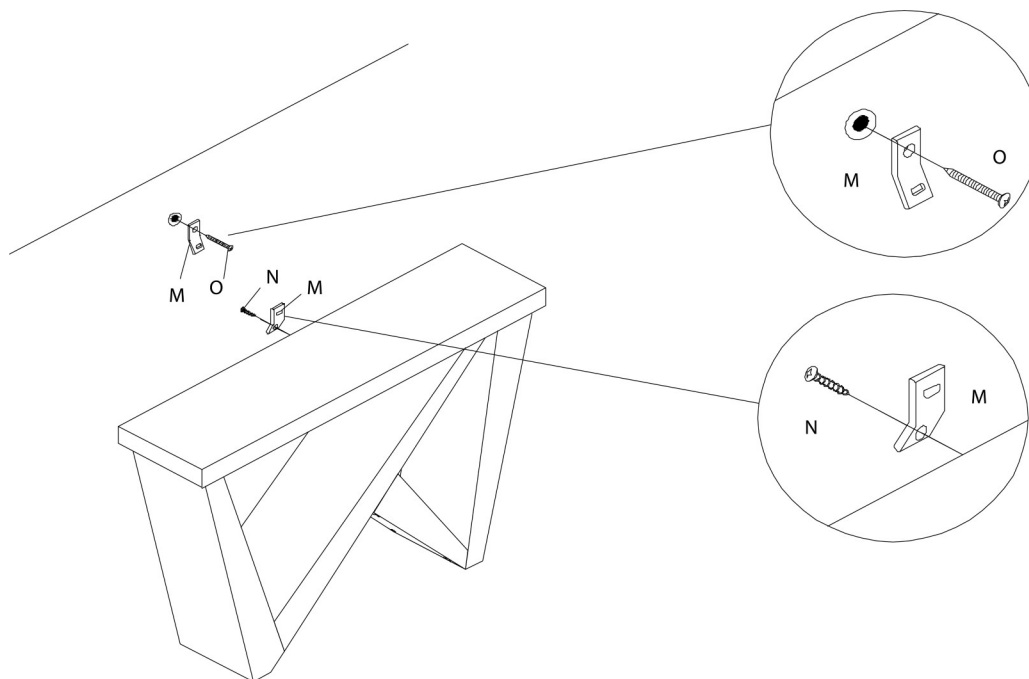
**ÉTAPE / STEP 6**



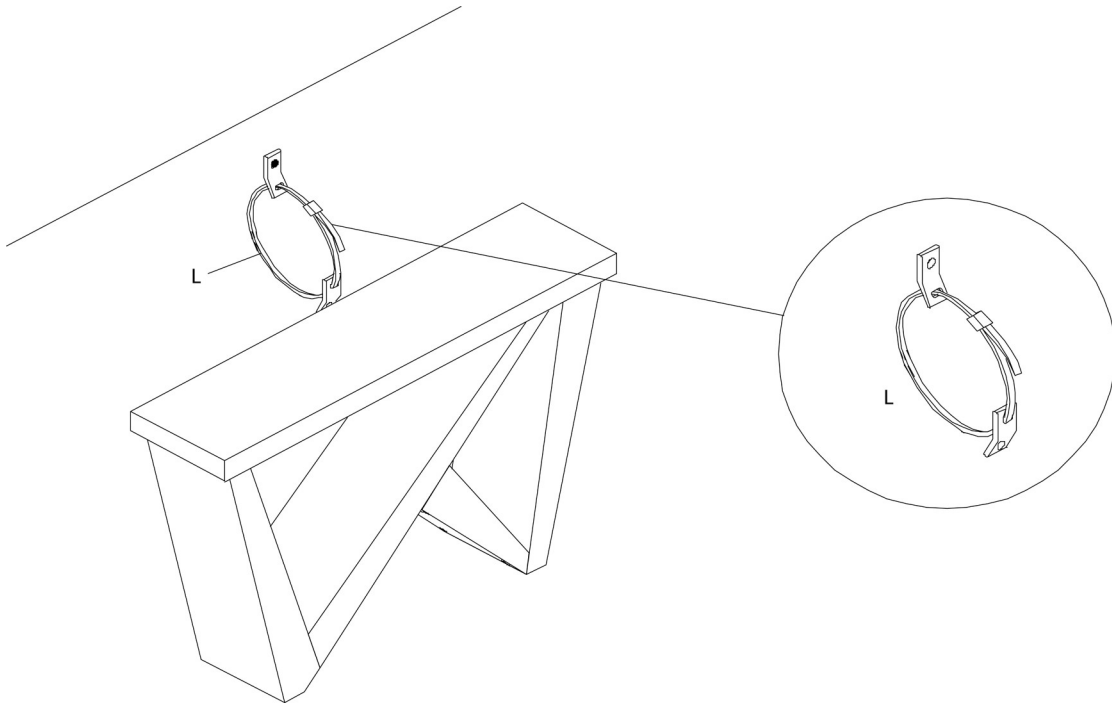
ÉTAPE / STEP 7



ÉTAPE / STEP 8



ÉTAPE / STEP 9



ÉTAPE / STEP 10

