

TABLE OF CONTENTS

01	Important Safety Instructions	01	Tools Needed
----	-------------------------------	----	--------------

02	Parts List	04	Assembly
----	------------	----	----------

18	Warranty Information		
----	----------------------	--	--

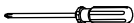
Thank you so much for choosing our product. If you encounter any questions during use, feel free to contact us. We will try our best to solve it.

IMPORTANT SAFETY INSTRUCTIONS

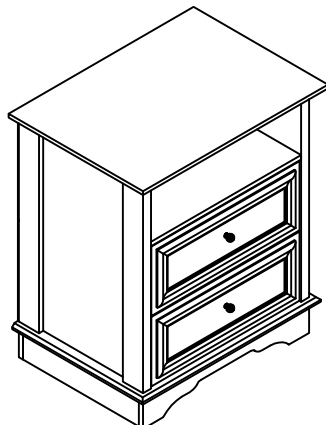
- Check if all the parts are complete before installation.
- Read through the instructions before installing the cabinet.
- Keep the small parts away from children to avoid the risk of swallowing.

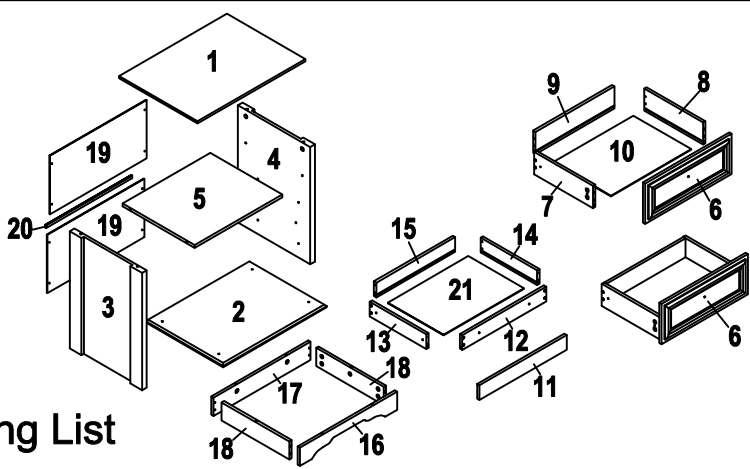
TOOLS NEEDED

Screws Driver -1PC

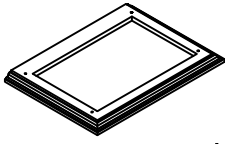
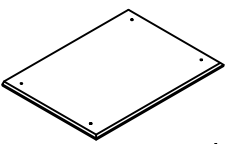
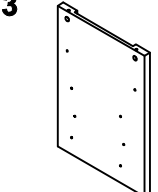
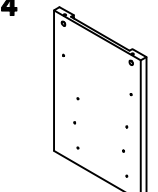
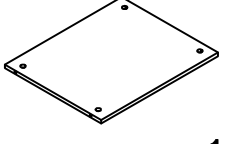
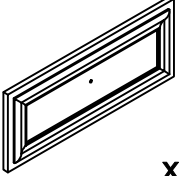
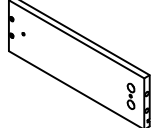
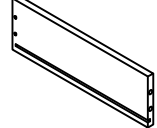
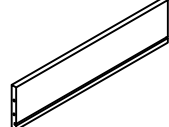
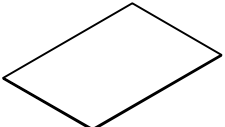
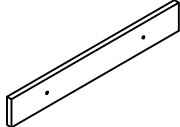
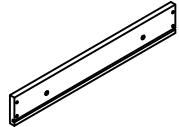
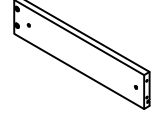
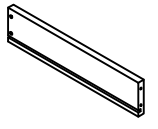
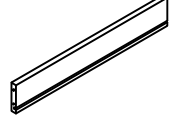
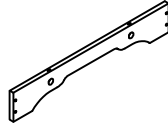


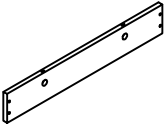
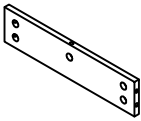
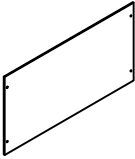

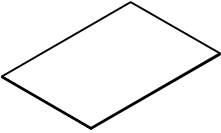
(Not included)



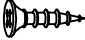
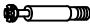










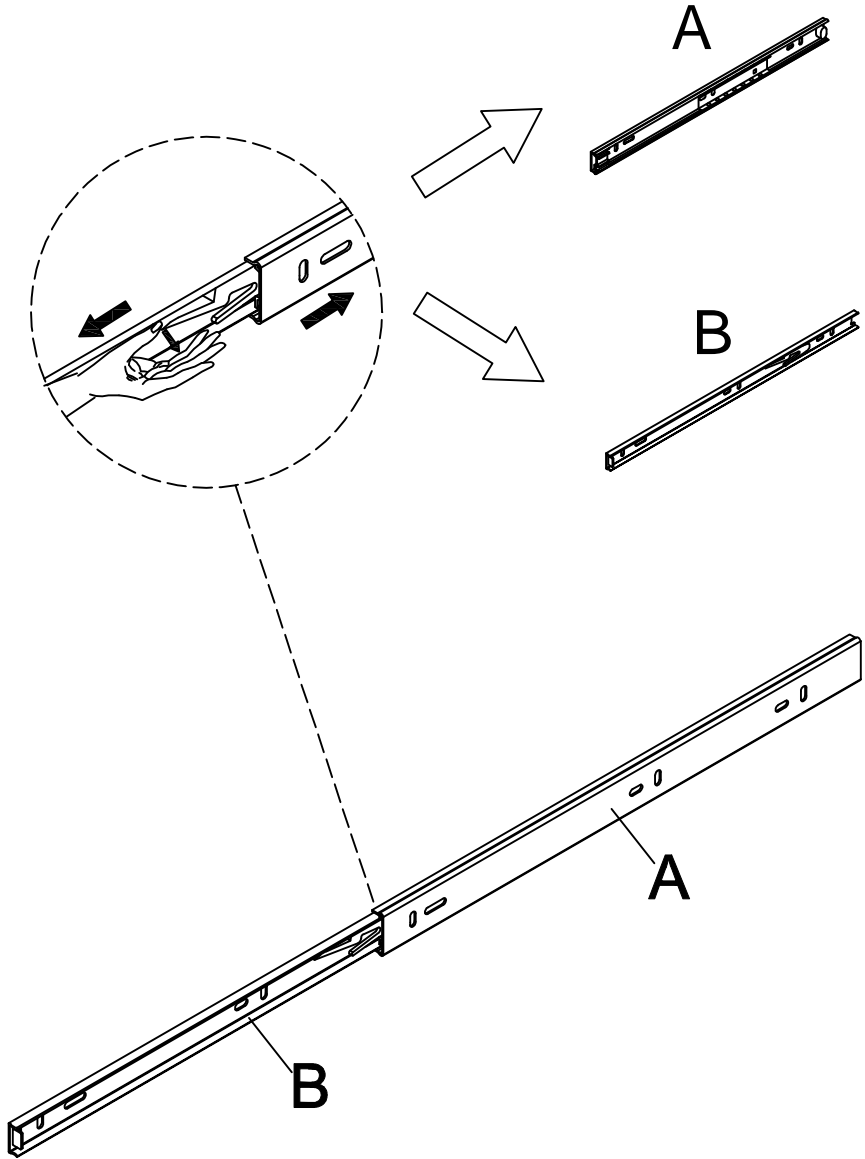
Packing List

<p>1</p>  <p>x1</p>	<p>2</p>  <p>x1</p>	<p>3</p>  <p>x1</p>	<p>4</p>  <p>x1</p>
<p>5</p>  <p>x1</p>	<p>6</p>  <p>x2</p>	<p>7</p>  <p>x2</p>	<p>8</p>  <p>x2</p>
<p>9</p>  <p>x2</p>	<p>10</p>  <p>x2</p>	<p>11</p>  <p>x1</p>	<p>12</p>  <p>x1</p>
<p>13</p>  <p>x1</p>	<p>14</p>  <p>x1</p>	<p>15</p>  <p>x1</p>	<p>16</p>  <p>x1</p>

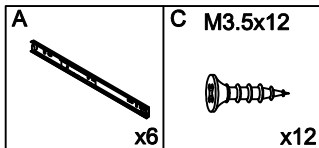
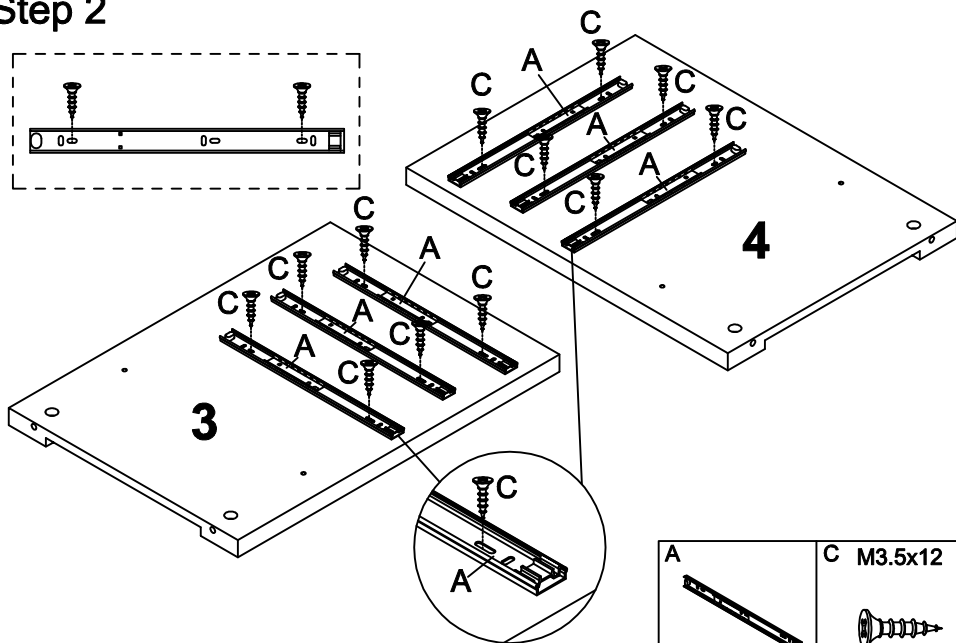
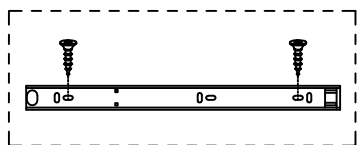
<p>17</p>  <p>x1</p>	<p>18</p>  <p>x2</p>	<p>19</p>  <p>x2</p>	<p>20</p>  <p>440mm</p> <p>x1</p>
<p>21</p>  <p>x1</p>			

<p>A</p>  <p>x6</p>	<p>B</p>  <p>x6</p>	<p>C M3.5x12</p>  <p>x32</p>	<p>D</p>  <p>x30</p>	<p>E</p>  <p>x30</p>
<p>F M5x40</p>  <p>x4</p>	<p>G M3.5x40</p>  <p>x16</p>	<p>H M4x20</p>  <p>x2</p>	<p>I</p>  <p>x2</p>	<p>J M4x16</p>  <p>x2</p>

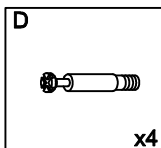
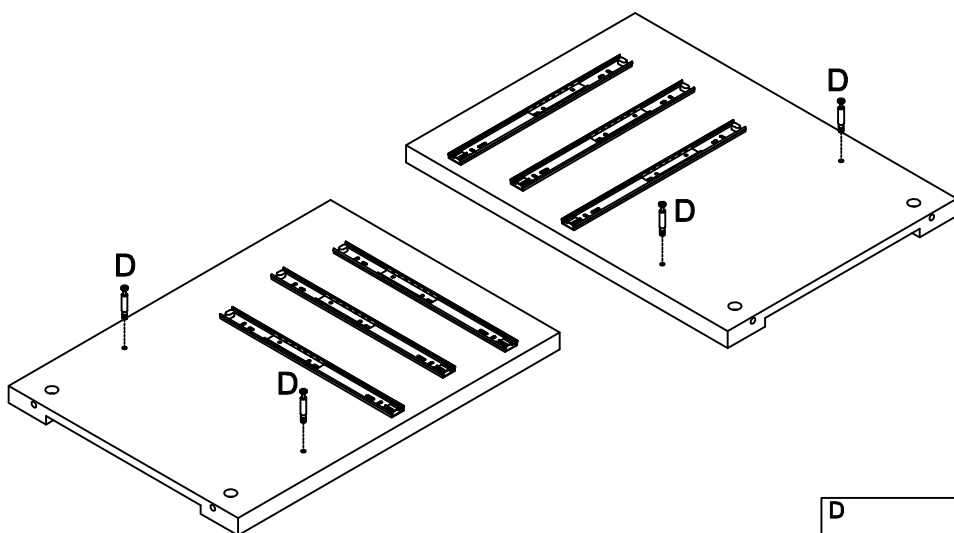
Step 1



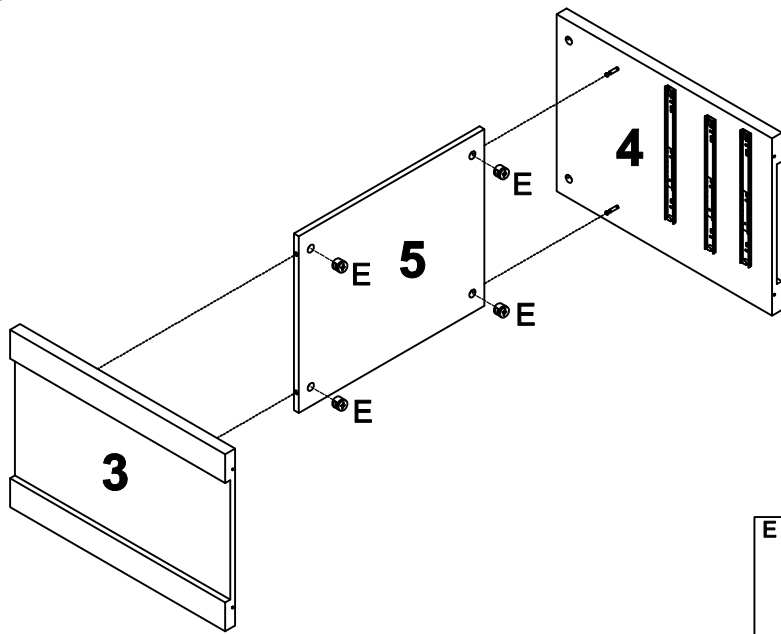
Step 2



Step 3



Step 4

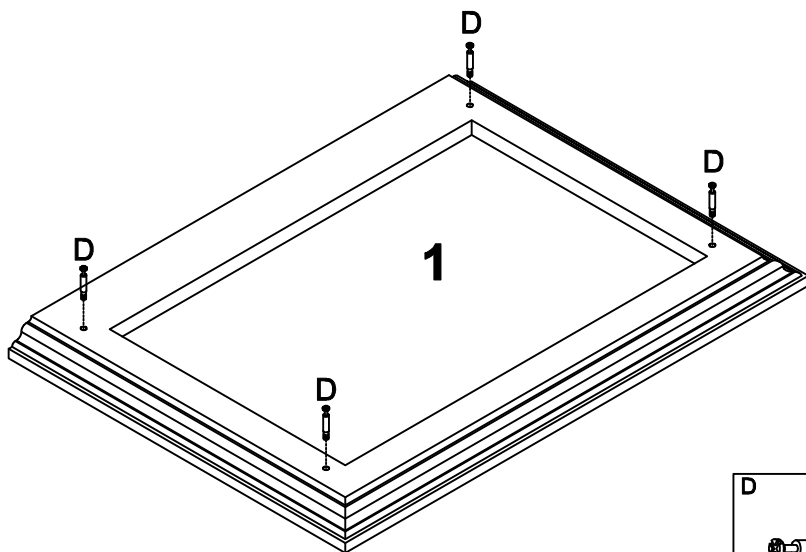


E

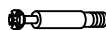


x4

Step 5

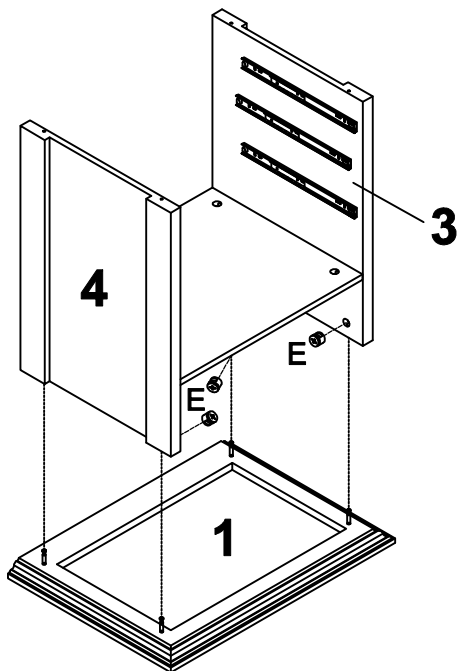


D



x4

Step 6

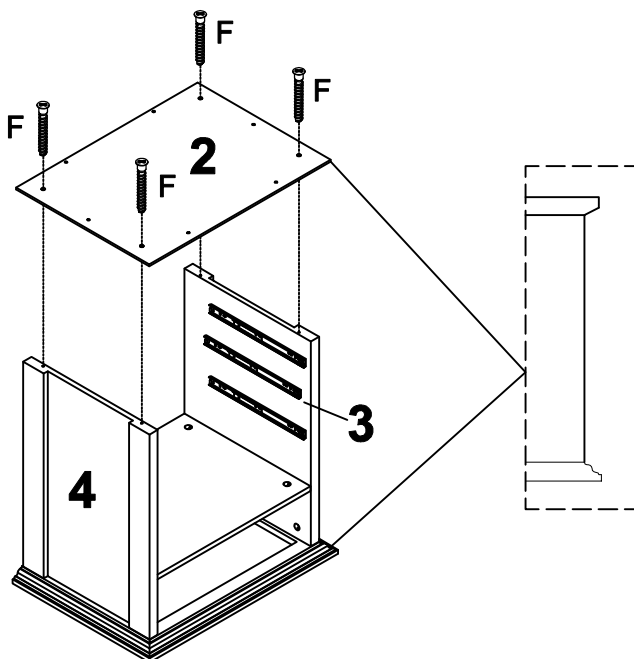


E



x4

Step 7

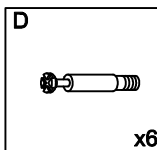
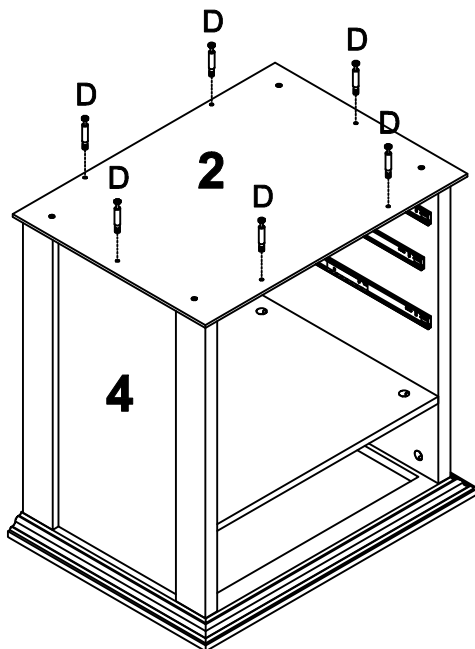


F M5x40

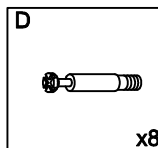
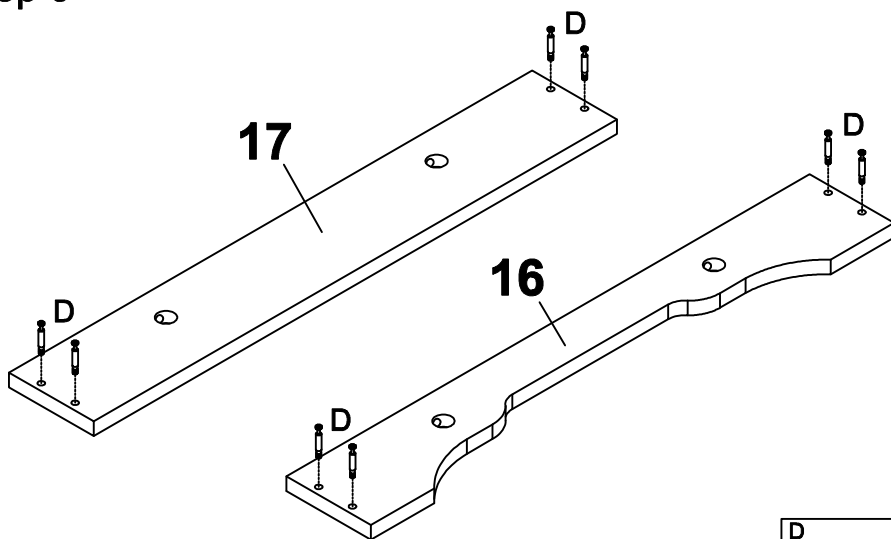


x4

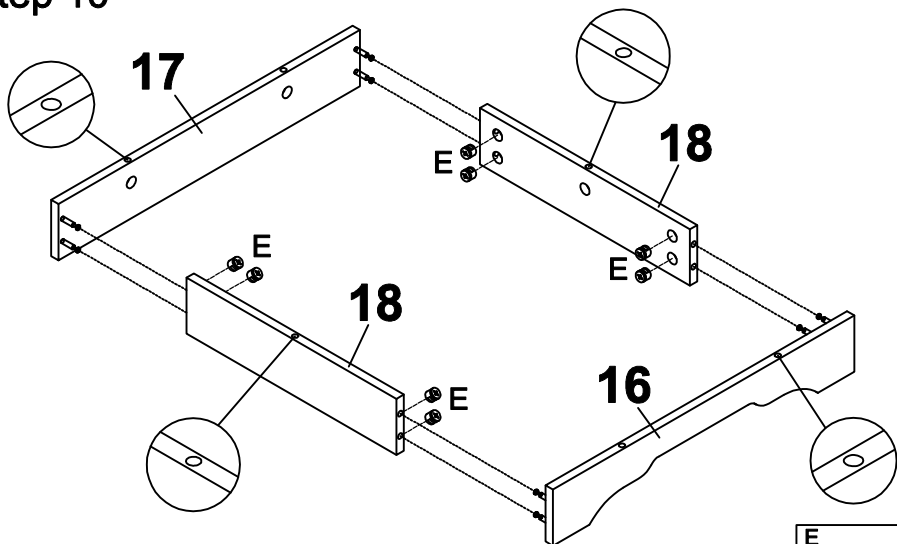
Step 8



Step 9



Step 10

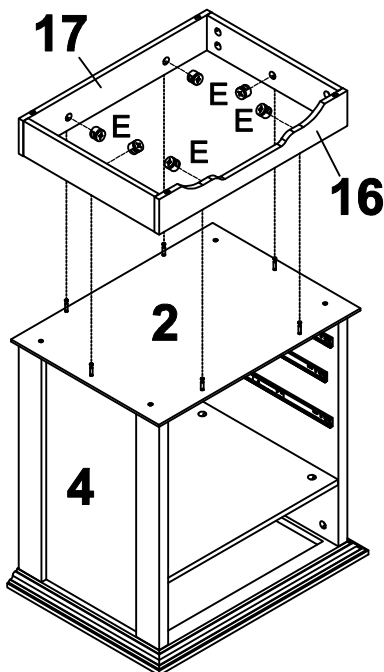


E



x8

Step 11

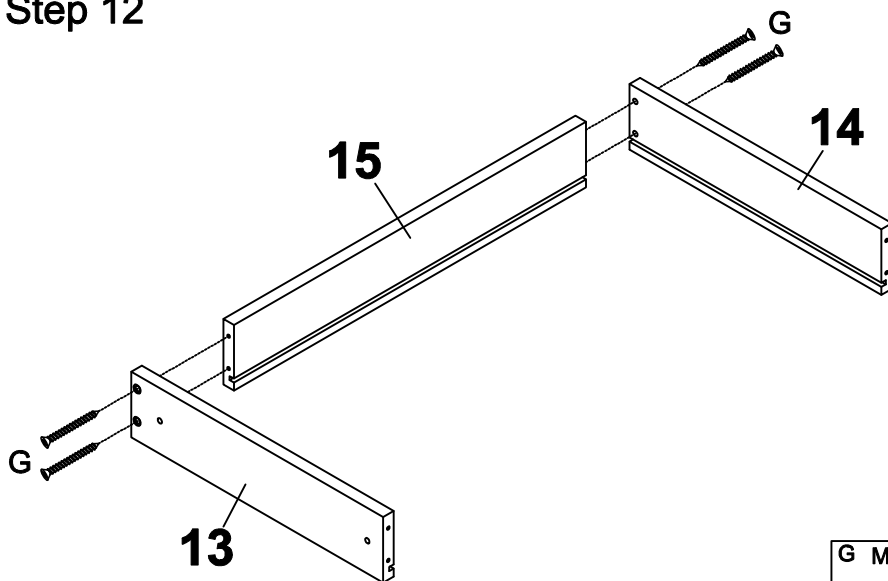


E



x6

Step 12

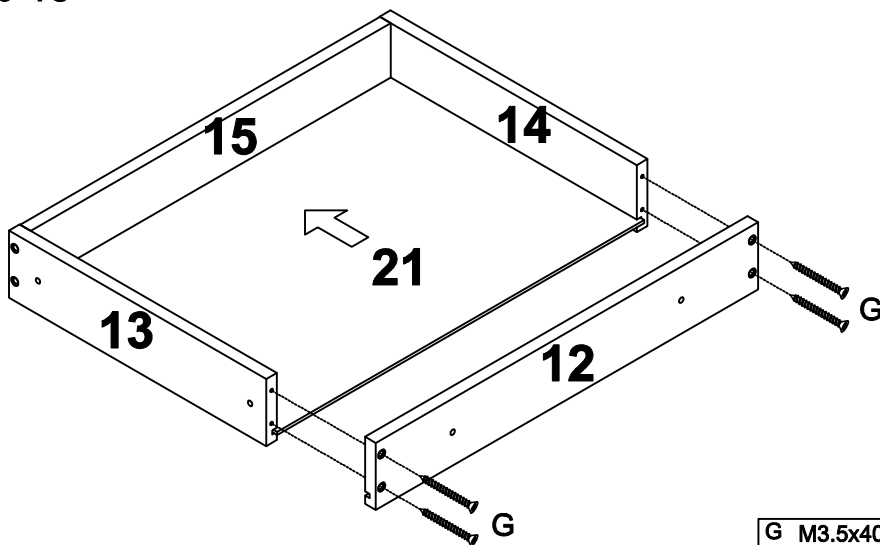


G M3.5x40



x4

Step 13

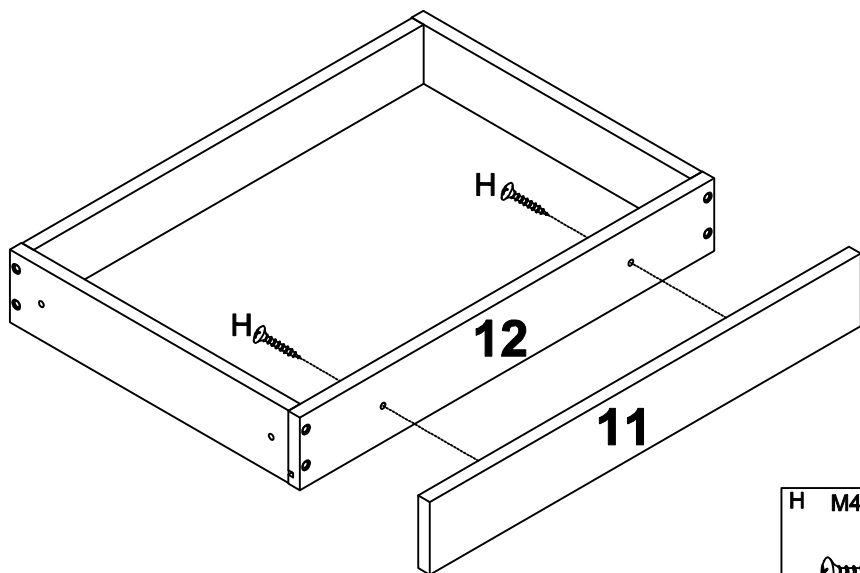


G M3.5x40



x4

Step 14

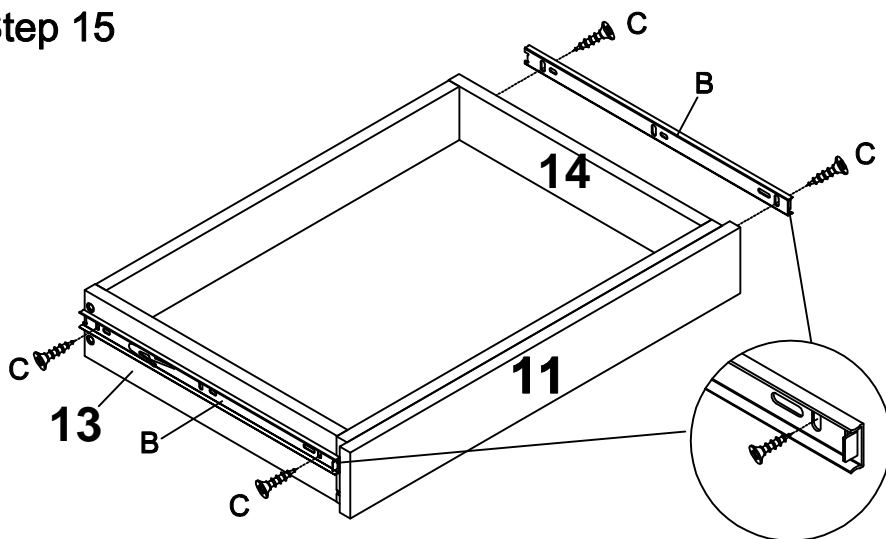


H M4x20



x2

Step 15



B



x2

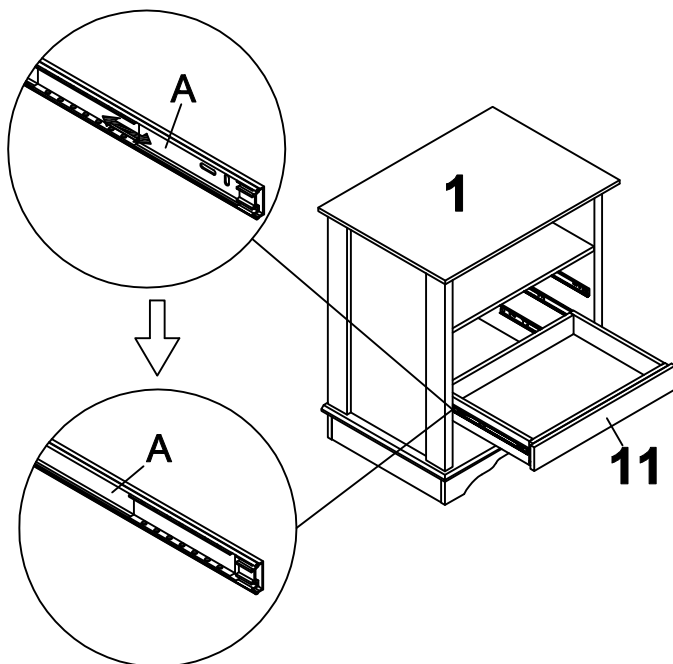
C M3.5x12



x4

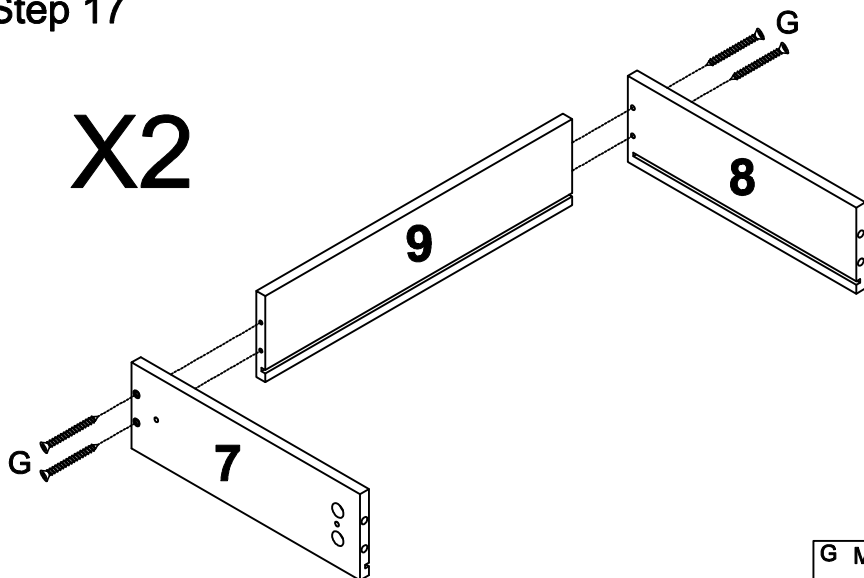
Step 16

Please move the rail balls to the front of sliding rail A to make sure it can be fit to sliding rail B on the drawer.



Step 17

X2



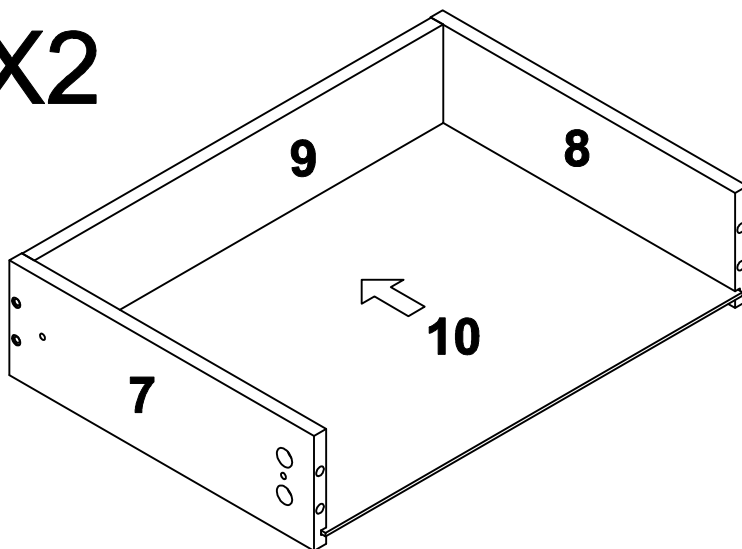
G M3.5x40



x8

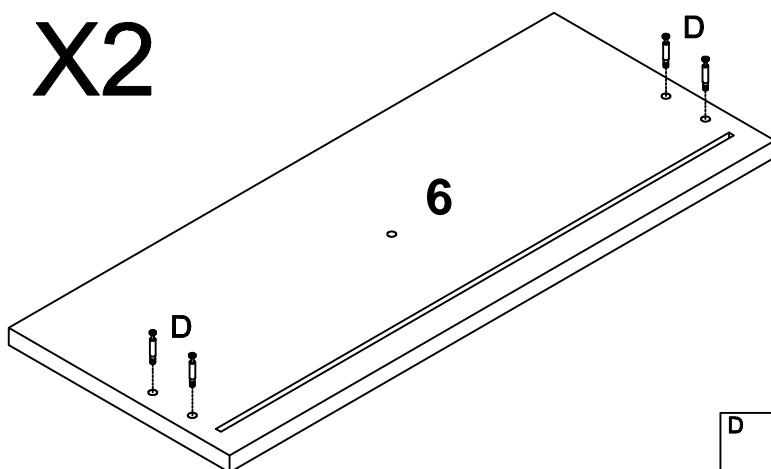
Step 18

X2

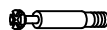


Step 19

X2

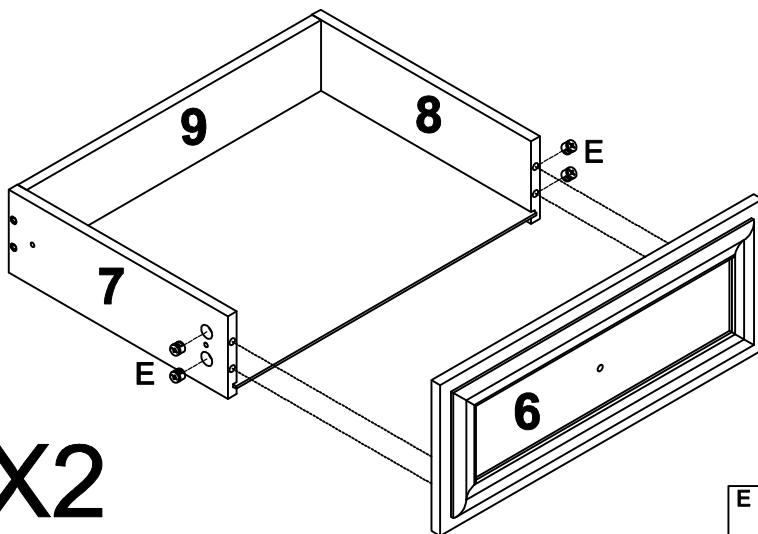


D



x8

Step 20



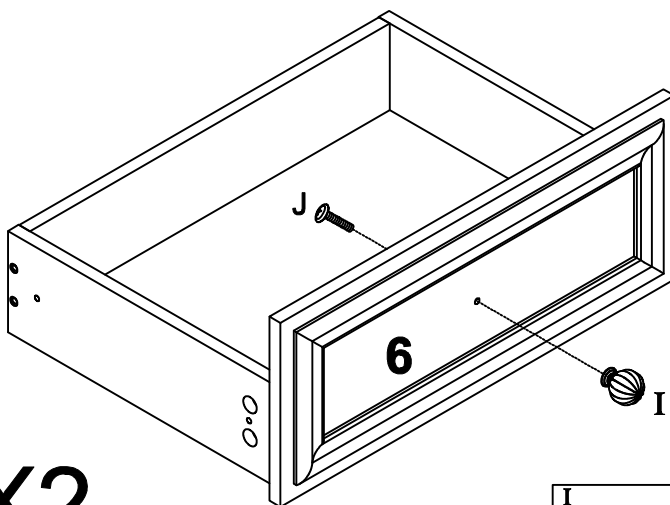
X2

E



x8

Step 21



X2

I



x2

J

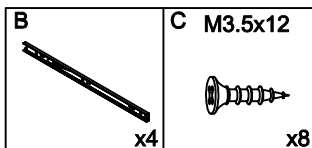
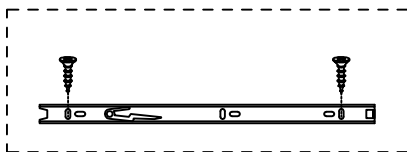
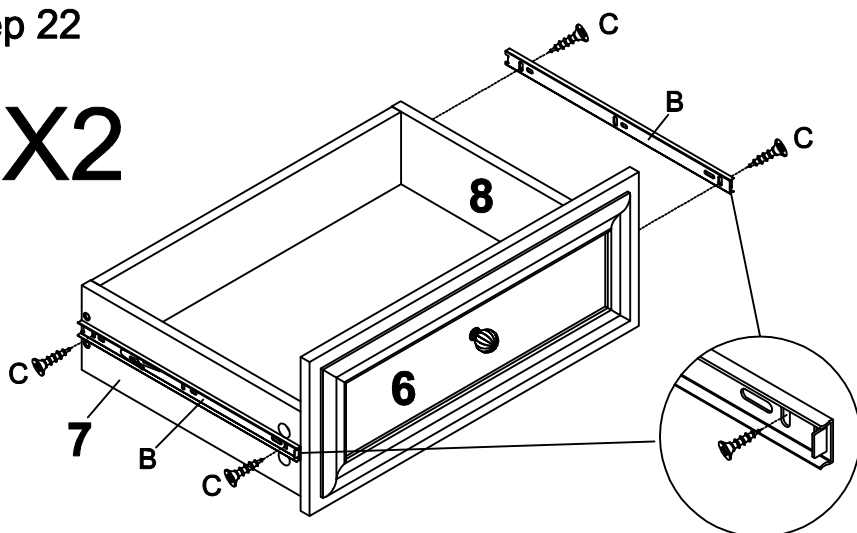
M4x16



x2

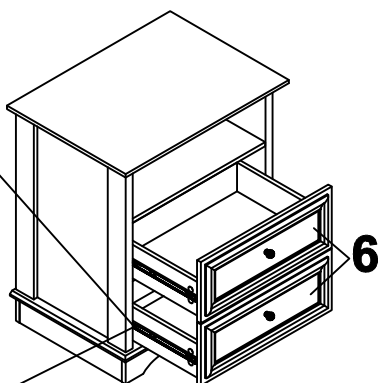
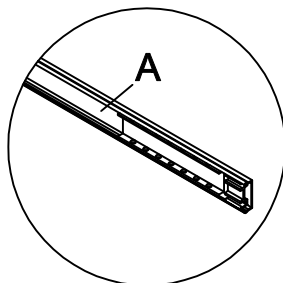
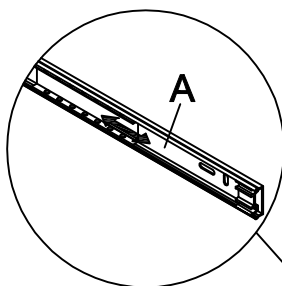
Step 22

X2

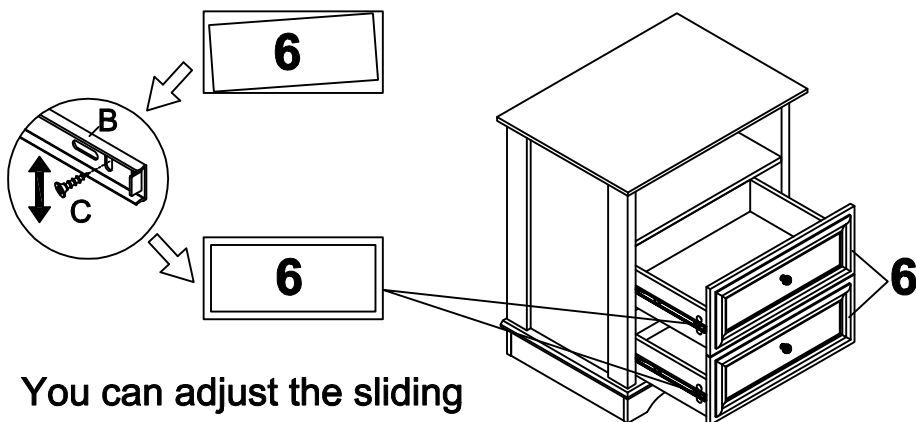


Step 23

Please move the rail balls to the front of sliding rail A to make sure it can be fit to sliding rail B on the drawer.

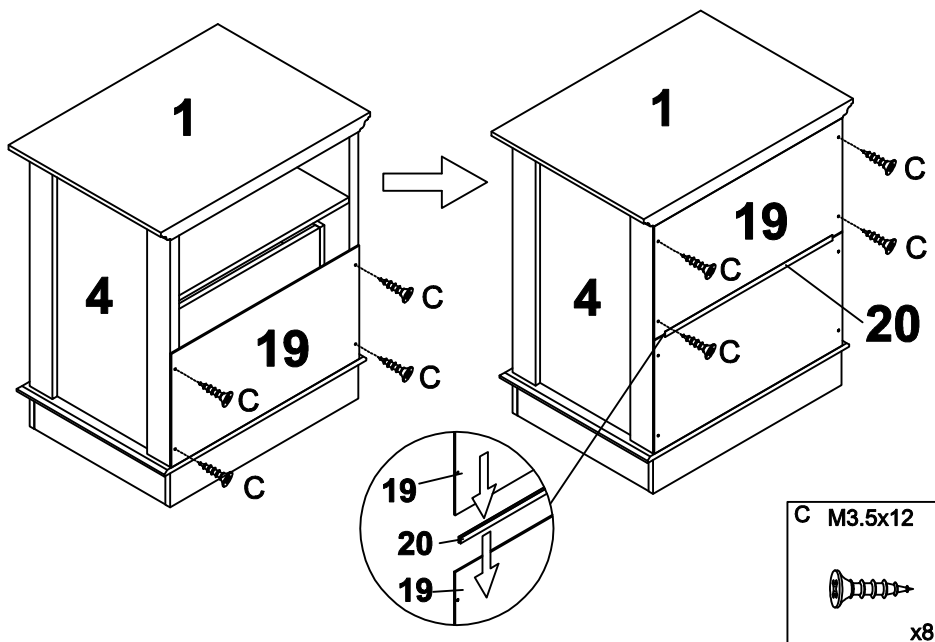


Step 24

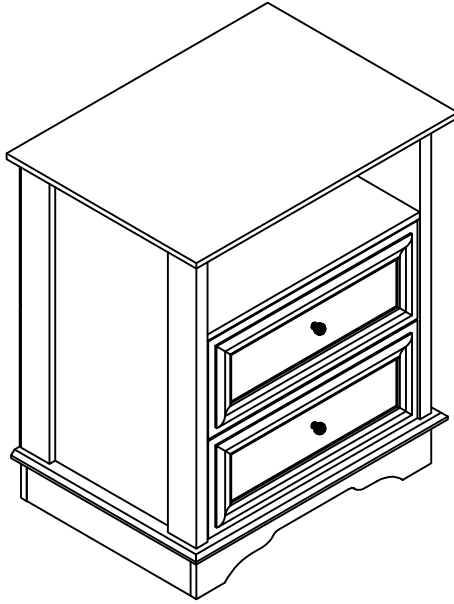


You can adjust the sliding rail's hole to make sure the drawer is on level when assemble C screws.

Step 25



Finish !!!



WARRANTY INFORMATION

- Do not expose the surfaces to direct sunlight or to extreme environmental conditions.
- Clean the surfaces preferable with a clean damp cloth, then dry with a clean towel.
- Do not use solvents or abrasive materials to clean the unit. If you decide to use a cleaning agent, test first on an area hidden from view.
- Replacement parts might be available to you at no charge, with an original proof of purchase and where a defect has arisen, wholly or substantially, as a result of faulty manufacturing, parts or workmanship during the Warranty Period.
- The warranty does not extend to regular wear and tear, nor the manufacturer assumes liability for damages or consequences due to accidents, incorrect assembly, negligence, improper use, modifications, or not heeding the above warnings.
- Thank you so much for your support! We hope you enjoy your purchase. If there is any damage or missing accessories, please feel free to contact us for free replacement or refund. You can quickly find us through

with your order number, we will try our best to solve this problem for you

Thank you !