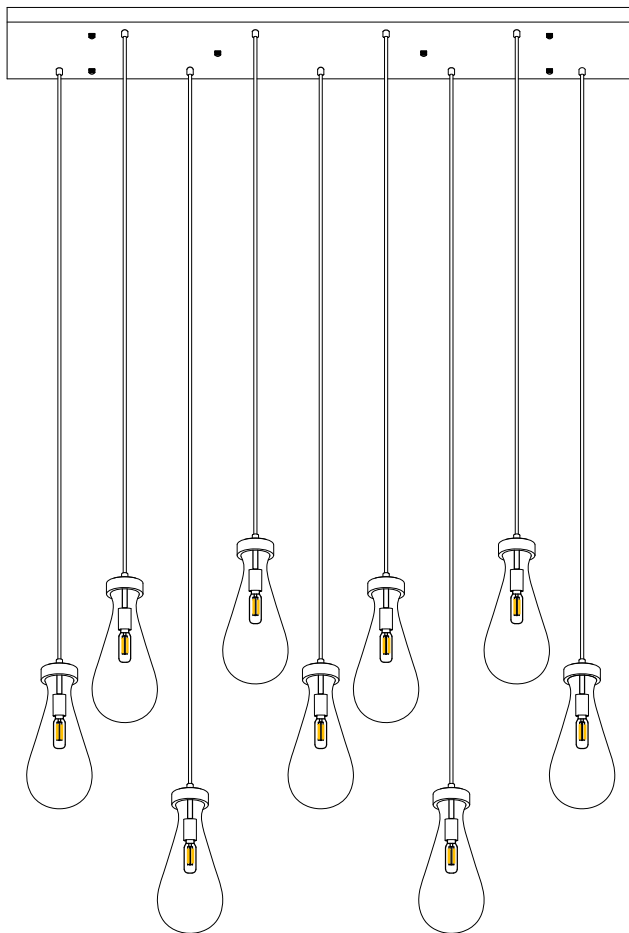


# INSTALLATION MANUAL

## CHANDELIER



# Safety Rules

---

**WARNING: BE SURE THE ELECTRICITY TO THE WIRES YOU ARE WORKING ON IS SHUT OFF; EITHER THE FUSE IS REMOVED OR THE CIRCUIT BREAKER IS TURNED OFF. TURNING THE POWER OFF USING THE LIGHT SWITCH IS NOT SUFFICIENT TO PREVENT ELECTRICAL SHOCK.**

**NOTE:** The important safeguards and instructions appearing in this manual are not meant to cover all possible conditions or situations that may occur. It must be understood that common sense, caution, and care, are factors which cannot be built into any product. These factors must be supplied by the person(s) installing this unit.

## **READ & SAVE THESE INSTRUCTIONS**

**CAUTION:** Before assembling the lighting fixture, refer to the section titled Wiring Connections. If you feel you do not have enough electrical wiring experience, either refer to a do-it-yourself wiring handbook or have your lighting fixture installed by a qualified, licensed electrician.

## **INSTALLATION & OPERATION INSTRUCTIONS GENERAL**

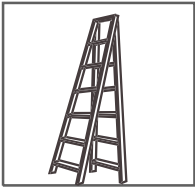
Before starting the installation, disconnect the power by turning off the circuit breaker or by removing the appropriate fuse at the fuse box. Turning the power off using the light switch is not sufficient to prevent electrical shock.

All electrical connections must be in accordance with local and National Electrical Code (NEC) standards. If you are unfamiliar with proper electrical wiring connections, obtain the services of a qualified electrician.

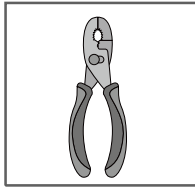
# Installation Preparation

---

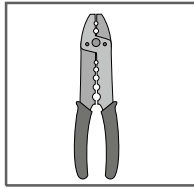
## Tools You Need



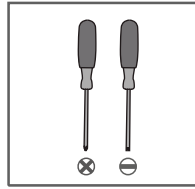
Ladder



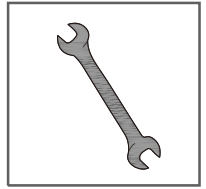
Pliers



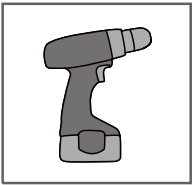
Wire Strippers



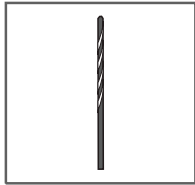
Screwdrivers



Wrench



Power Drill  
(optional)

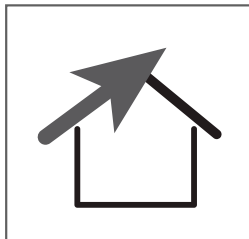


Drill Bit  
(optional)

## What to Expect with your Installation

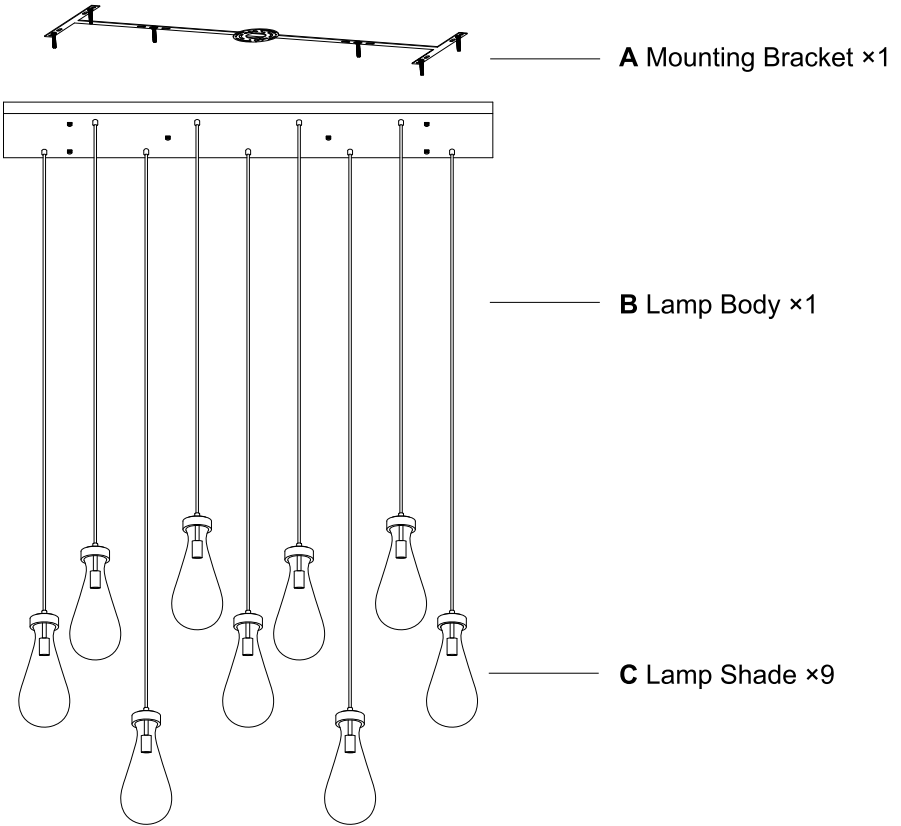


Check the box to see the weight of the light


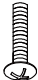







Angled ceiling applicable

# Packing List



# Installation Kit

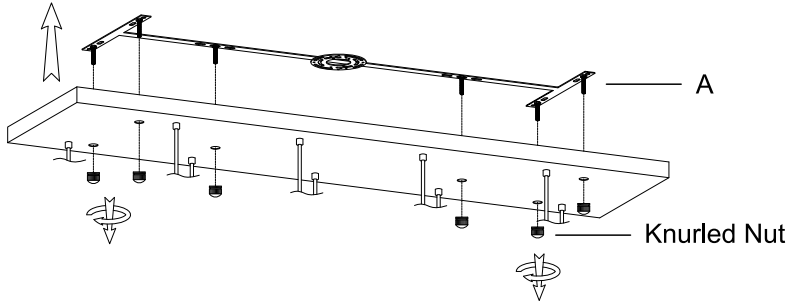
<p>AA</p>  <p>Wire Nut</p> <p>3x</p>	<p>BB</p>  <p>Outlet Box Screw</p> <p>2x</p>	<p>CC</p>  <p>Wood Screw</p> <p>6x</p>	<p>DD</p>  <p>Washer</p> <p>8x</p>
<p>EE</p>  <p>Plastic Anchor</p> <p>6x</p>	<p>FF</p>  <p>Anchor Bolt</p> <p>6x</p>	<p>GG</p>  <p>Gloves</p> <p>1x</p>	

**NOTE:** The listed quantity is for installation, extra hardware may be included.

# Installation Instructions

## 1. Remove the Mounting Bracket

Loosen the knurled nuts from the canopy of the lamp body(B), and take out the mounting bracket (A).



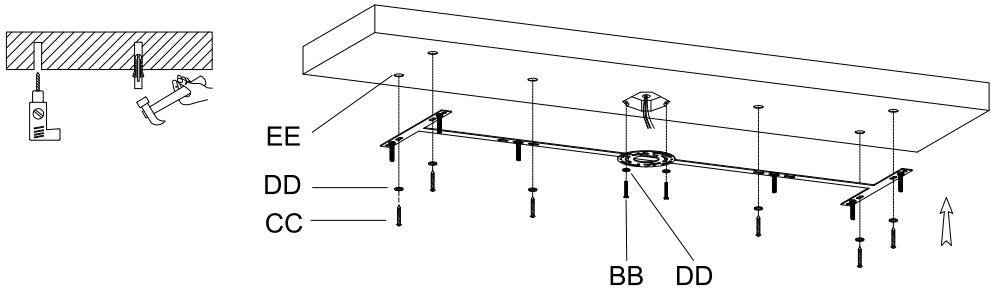
## 2. Mount the Bracket (3 Options)

### Option1. (For Outlet Box)

Step 1: Mark and drill the anchor holes on the ceiling, insert the plastic anchors (EE).

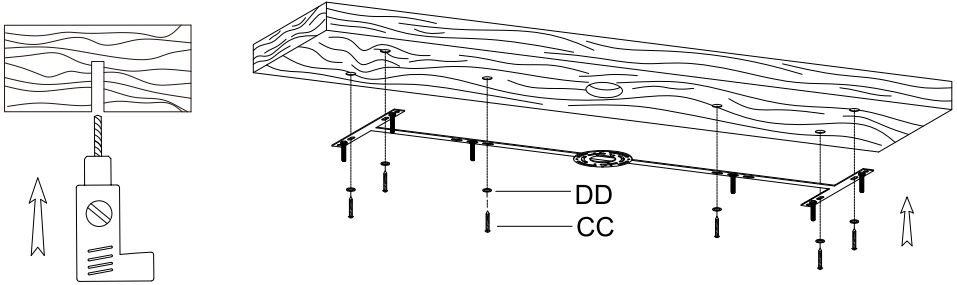
Step 2: Secure the mounting bracket (A) to the outlet box with screws taken off from outlet box or screws (BB) provided.

Step 3: Secure the ends of the bracket to the anchors (EE) with wood screws (CC) and washers (DD).



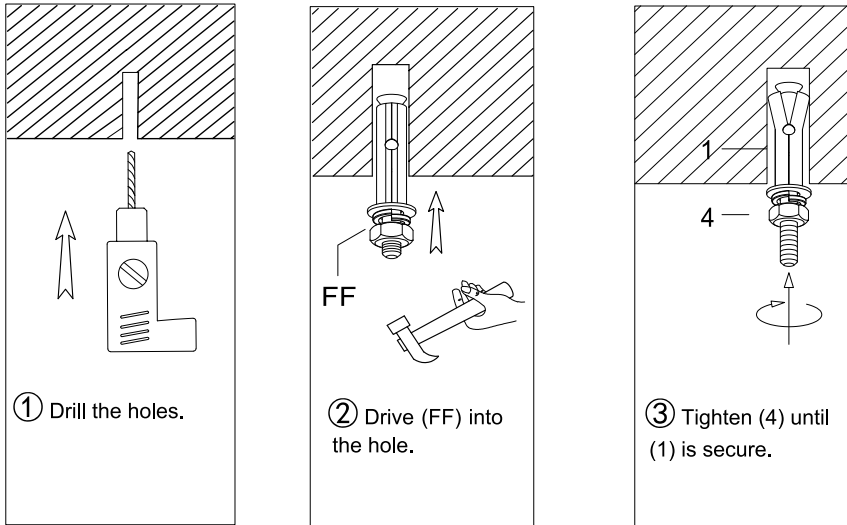
### Option 2. (For Solid Wood Structure)

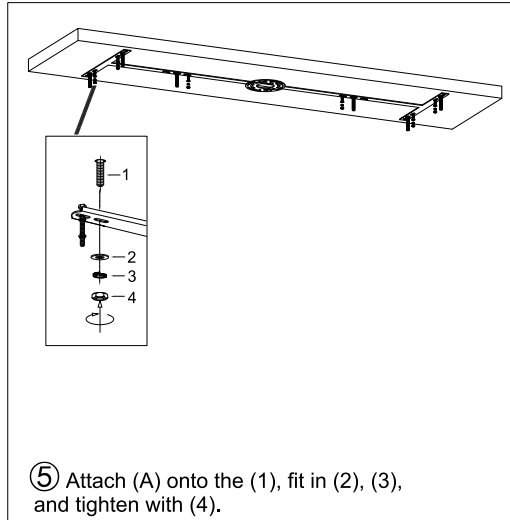
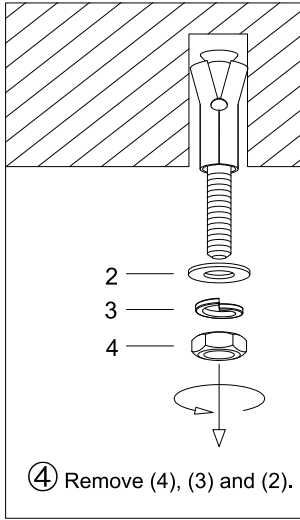
Mark and drill the screw holes on the solid wood structure.  
Mount the mounting bracket with screws (CC) and washers (DD).



### Option 3. (For Concrete Structure)

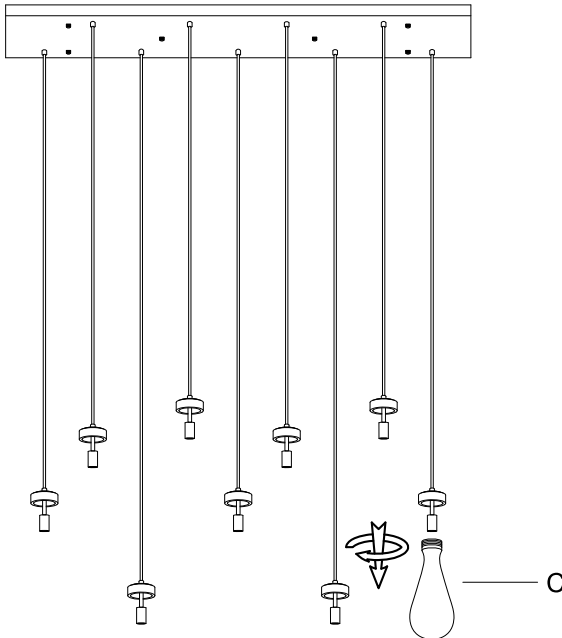
Mount the mounting bracket to the concrete structure with anchor bolt (FF).





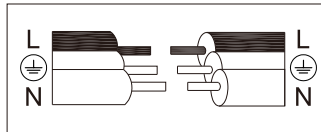
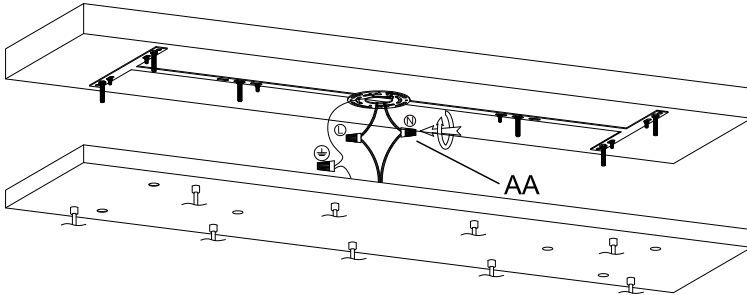
### 3. Remove the Lamp shade

Remove the lamp shades (C) from the lamp body (B).



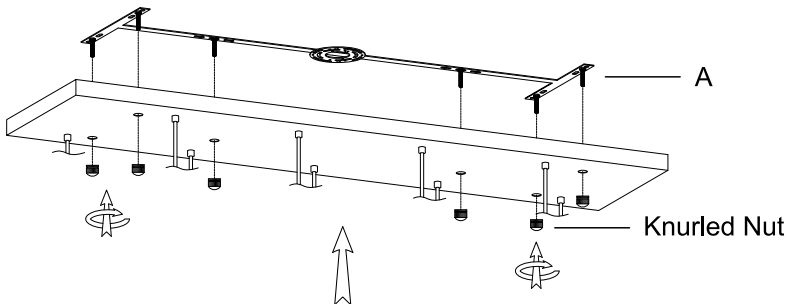
## 4. Connect the Wires

Connect the wires from the fixture to the house supply wires with wire nuts (AA), neutral wire (white) to neutral wire, and hot wire (black) to the hot wire. Wrap the connection with electrical tape.



## 5. Fix the Canopy

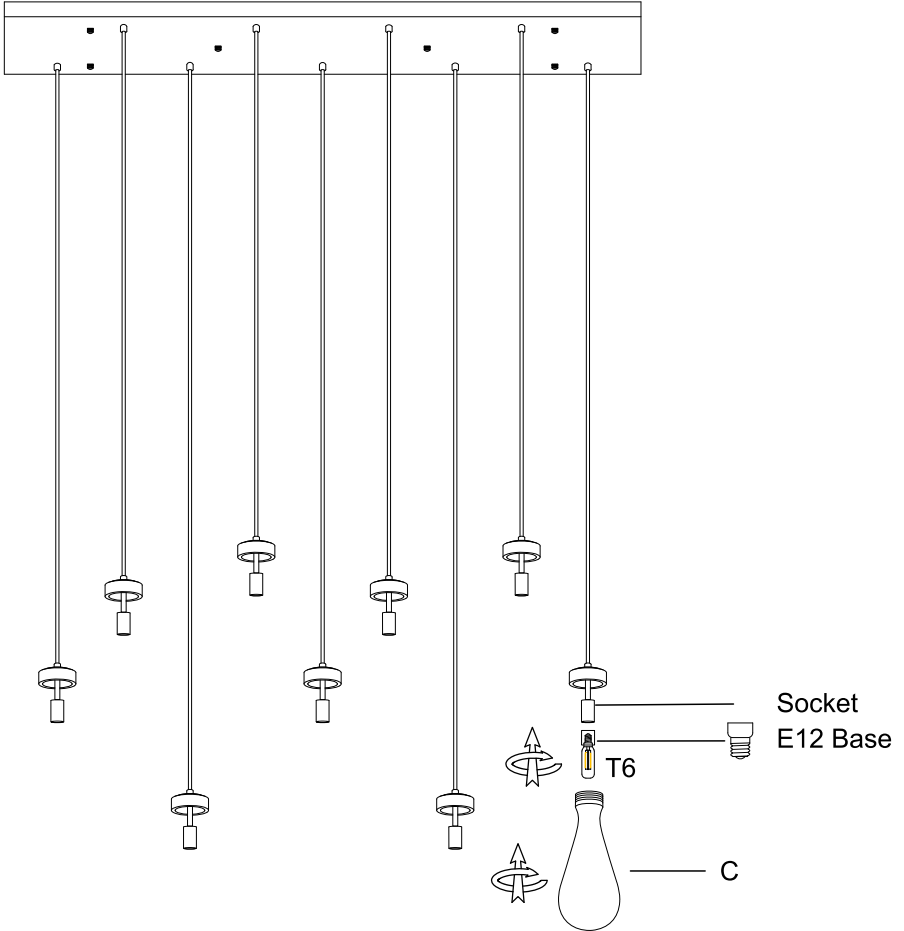
Pass the canopy (B) through the mounting bracket (A) and lock it with the knurled nut.



## 6. Install the Bulbs and Lamp Shade

Step 1: Install Bulbs. (E12 x 9, Max 40W each, not included).

Step 2: Install the lamp shade (C) on the socket.



### Note:

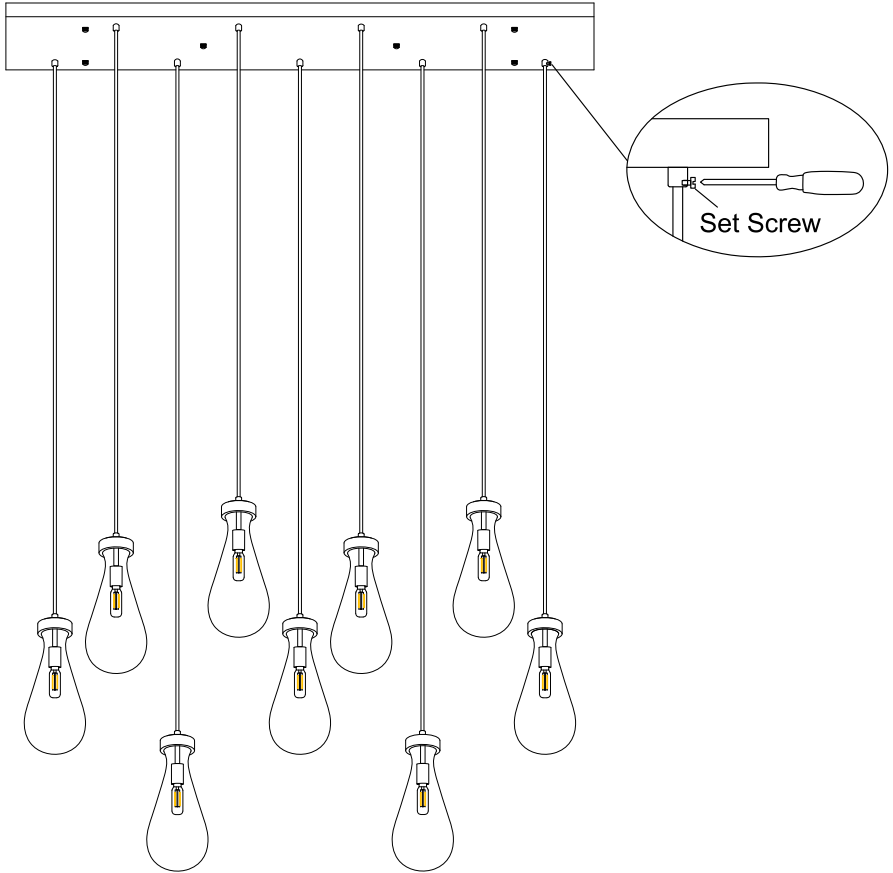
The illustrated bulb is recommended and compatible alternatives may be selected as needed.

To achieve dimming functionality, you need to use dimmable bulbs and a dimmer switch.

For bulbs with color temperature control, repeatedly switch “on” and “off” using the wall switch to change settings.

## 7. Adjust the Height

The wire length is adjustable to suit your needs. Loosen the set screw to adjust the wire length, then tighten the set screw to secure it.



# Trouble Shooting

---

## **1. Missing / Broken Parts**

- Make a list of the missing/broken parts according to the packing list, take photos for broken parts, then email us for free replacements.

## **2. Bulbs Do Not Light Up**

- Check your power and switch to make sure it's power on.
- For regular bulbs, make sure it is connected to the ON/OFF wall switch, not the dimmer switch.
- Replace the bulb with a new one.

## **3. Bulbs Flicker**

- If it is a dimmer switch, use a dimmable bulb.
- Replace the bulb with a new one.

## **4. Could Not Install / Assemble**

- Take photos of the ceiling / fixture, contact seller for technical support.

## **Clean And Care**

---

To clean, wipe the fixture with a soft cloth. Spraying from chemical cleaners can discolor the finish of the fixture.

Do not use scouring pads, powders, steel wool, or abrasive paper to clean this fixture.

## **Ordering Parts**

---

Keep this manual for future reference, and in case replacement parts are needed. Available parts can be ordered from the place of purchase. Use exact wording from diagrams when ordering parts.