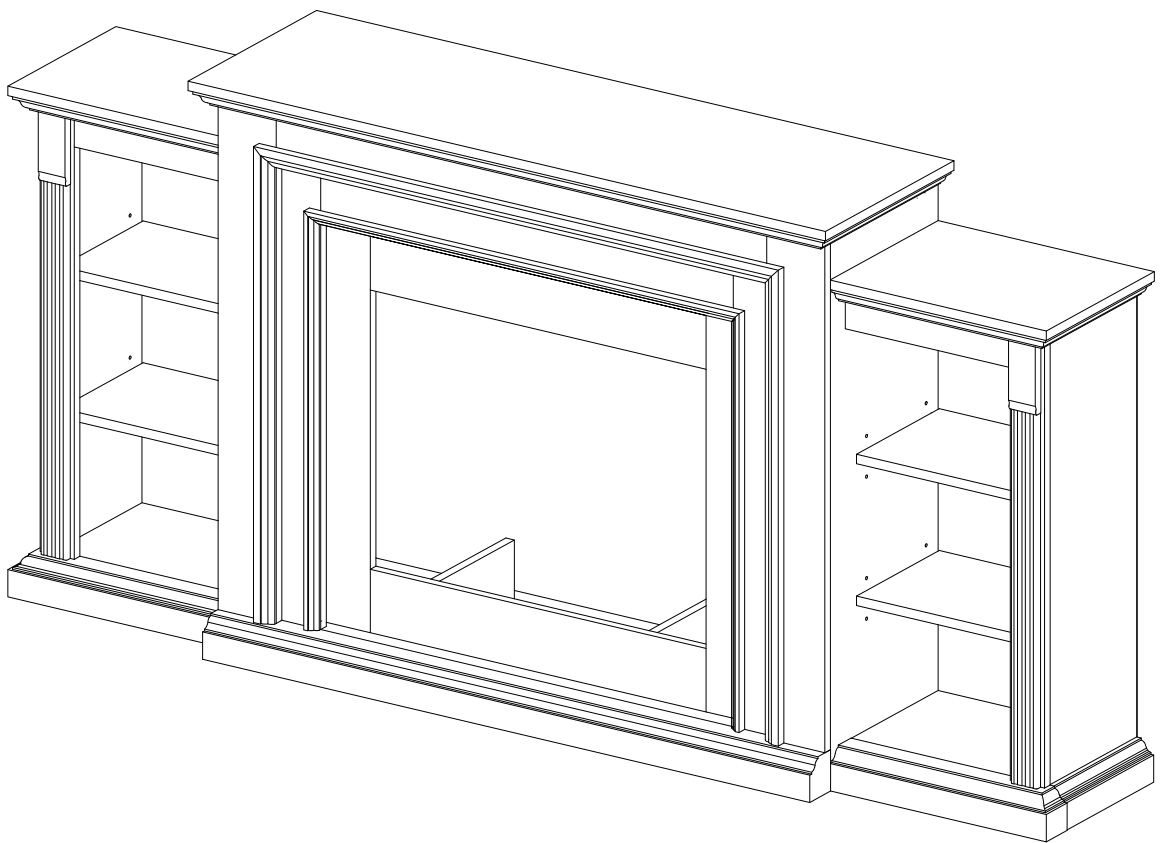
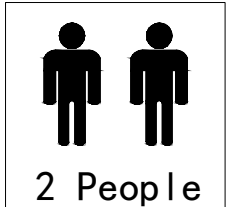


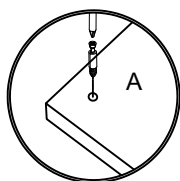
# ASSEMBLY INSTRUCTIONS

## ITEM:SKU220096/97

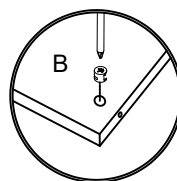


**Email:weipufurniture@gmail.com**

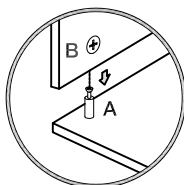
# How to use the cam lock system



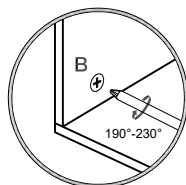
1. Screw cam bolt into panel



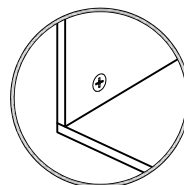
2. Push cam into panel - arrow feature on cam top points to panel edge



3. Align cam bolt(s) with cam(s) and insert all the way into cross-bored hole(s)

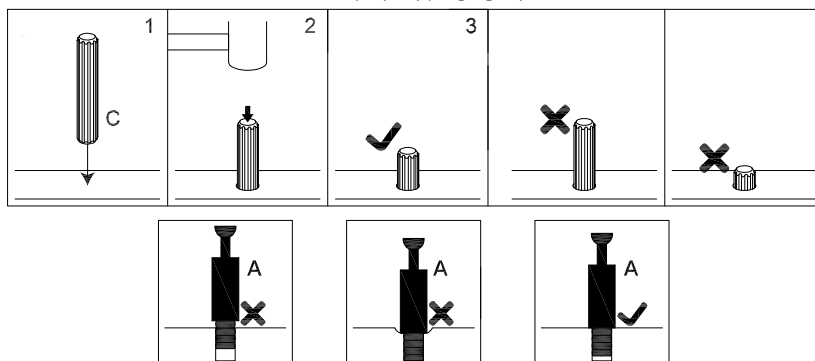


4. Rotate cam(s) clockwise 190°-230° to lock panels together



5. Panels should be tight against each other and connection should be rigid

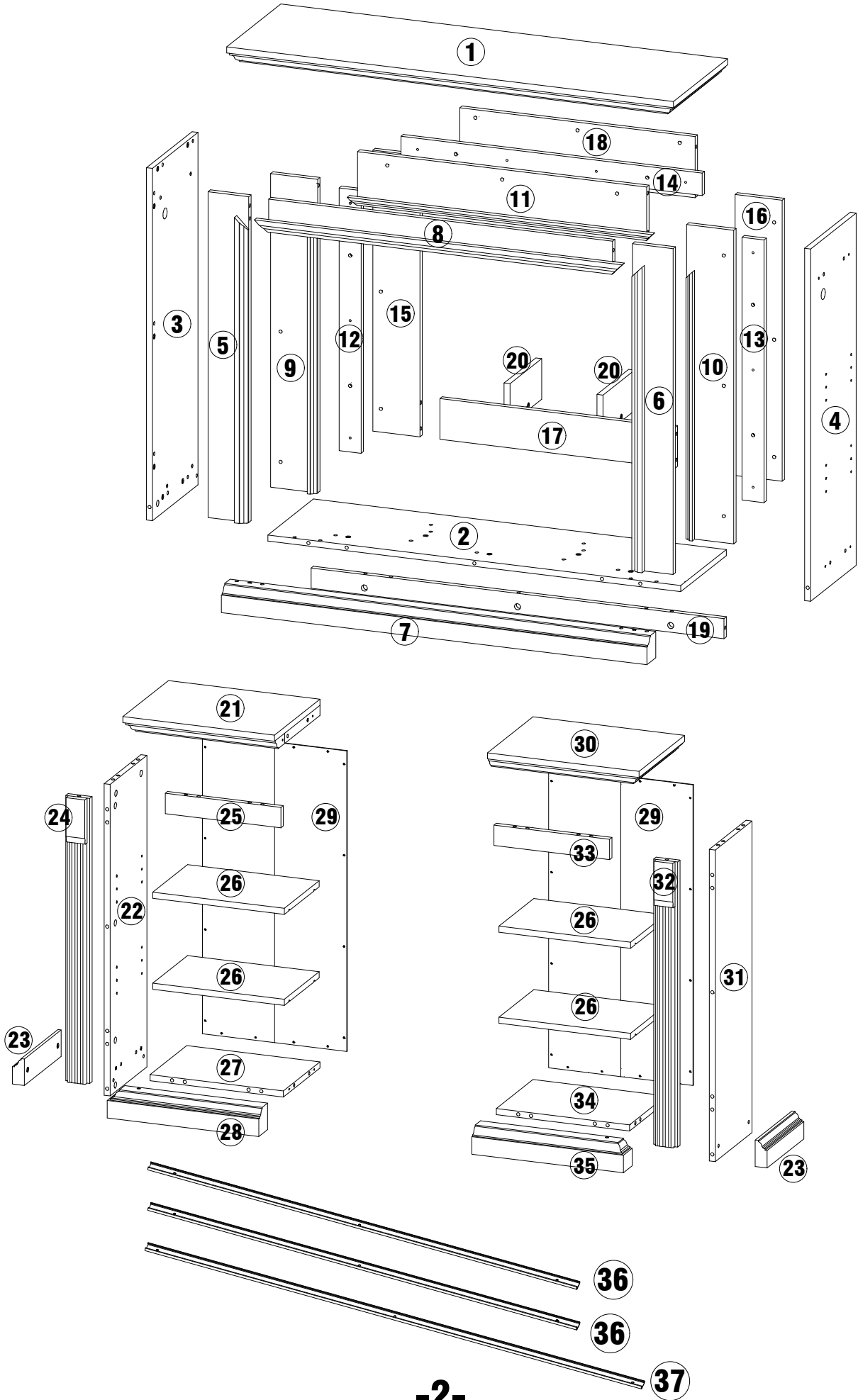
Insert the wood dowel [C] at least half way by tapping lightly with a rubber mallet, IF NECESSARY.



## ⚠ WARNING

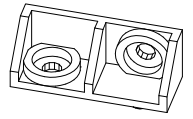
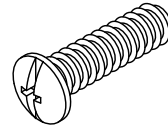
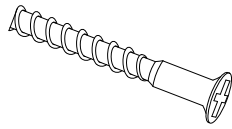
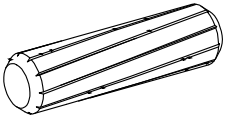
- Unit must be placed on a level surface or leveled with included hardware (when applicable).
- Do not sit or stand on or allow children to climb, sit or stand on the assembled product.
- For safety reasons, it is imperative that this unit be mounted to the wall.
- Do not use without installing the tip restraint.
- Unit can tip over causing severe injury or death.
- Do not exceed the recommended weight limits.
- Evenly distribute the weight on each level and always keep the heavier loads on the bottom.
- Before cutting, drilling or hammering into any wall or floor surface, verify the location of electrical, plumbing and gas lines. Cutting may cause serious injury.

# PACKAGE INCLUDE



# PACKAGE CONTENT

**φ8X30MM**



**A**

**66X+2**

**B**

**8X**

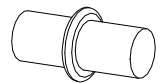
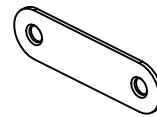
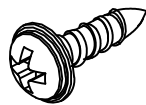
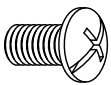
**C**

**22X+1**

**D**

**22X+1**

**φ3.5X12MM**



**E**

**44X+1**

**F**

**61X+2**

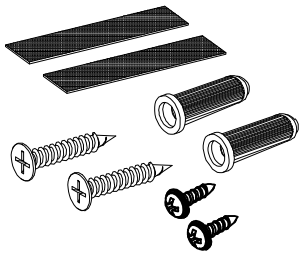
**G**

**10X**

**H**

**16X+1**

**φ8X20MM**



**J**

**1X**

**K**

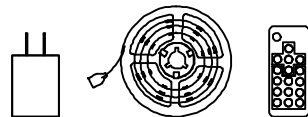
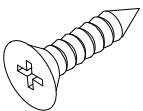
**6X**

**L**

**34X+2**

**M**

**34X+2**



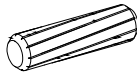


**N**

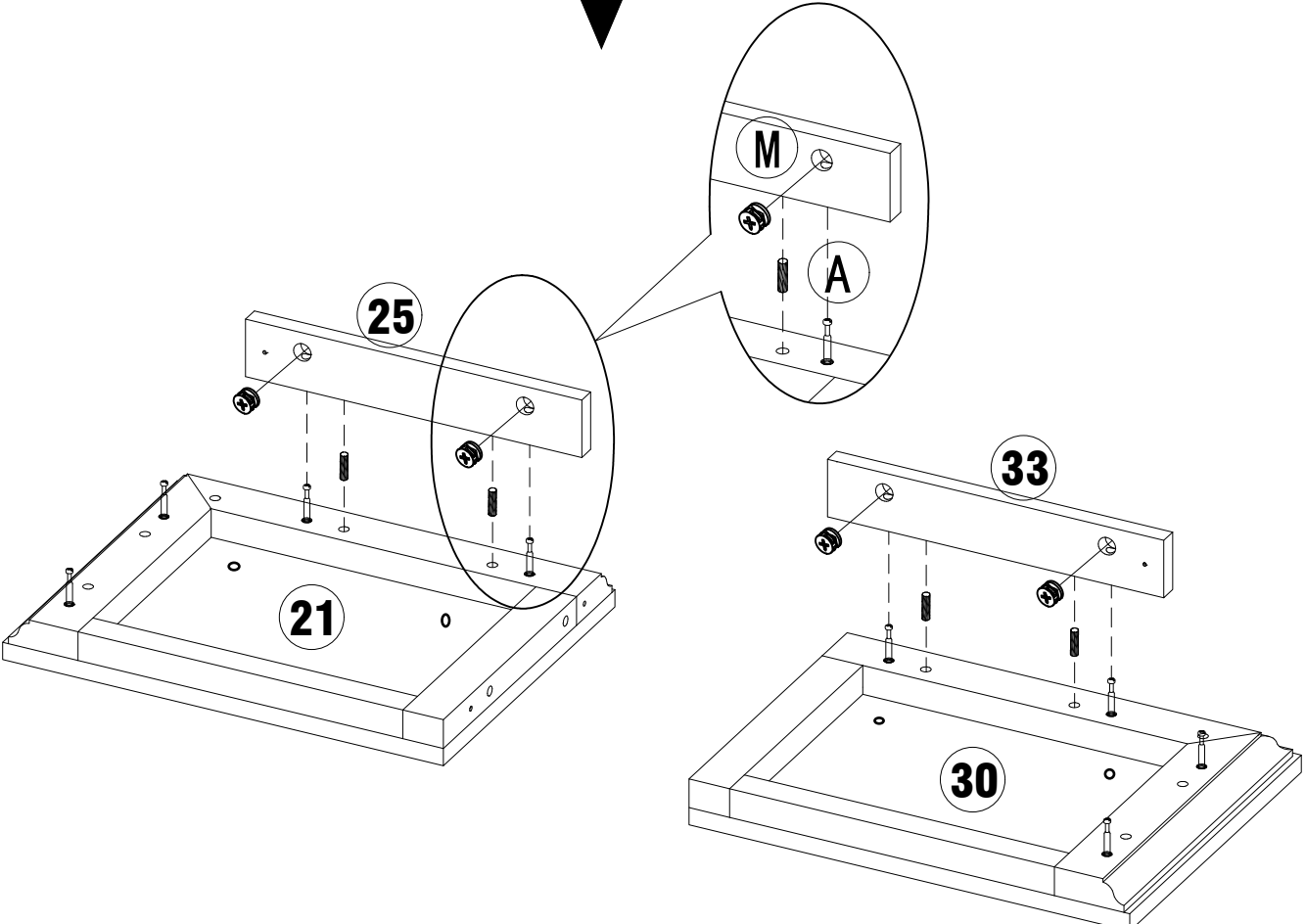
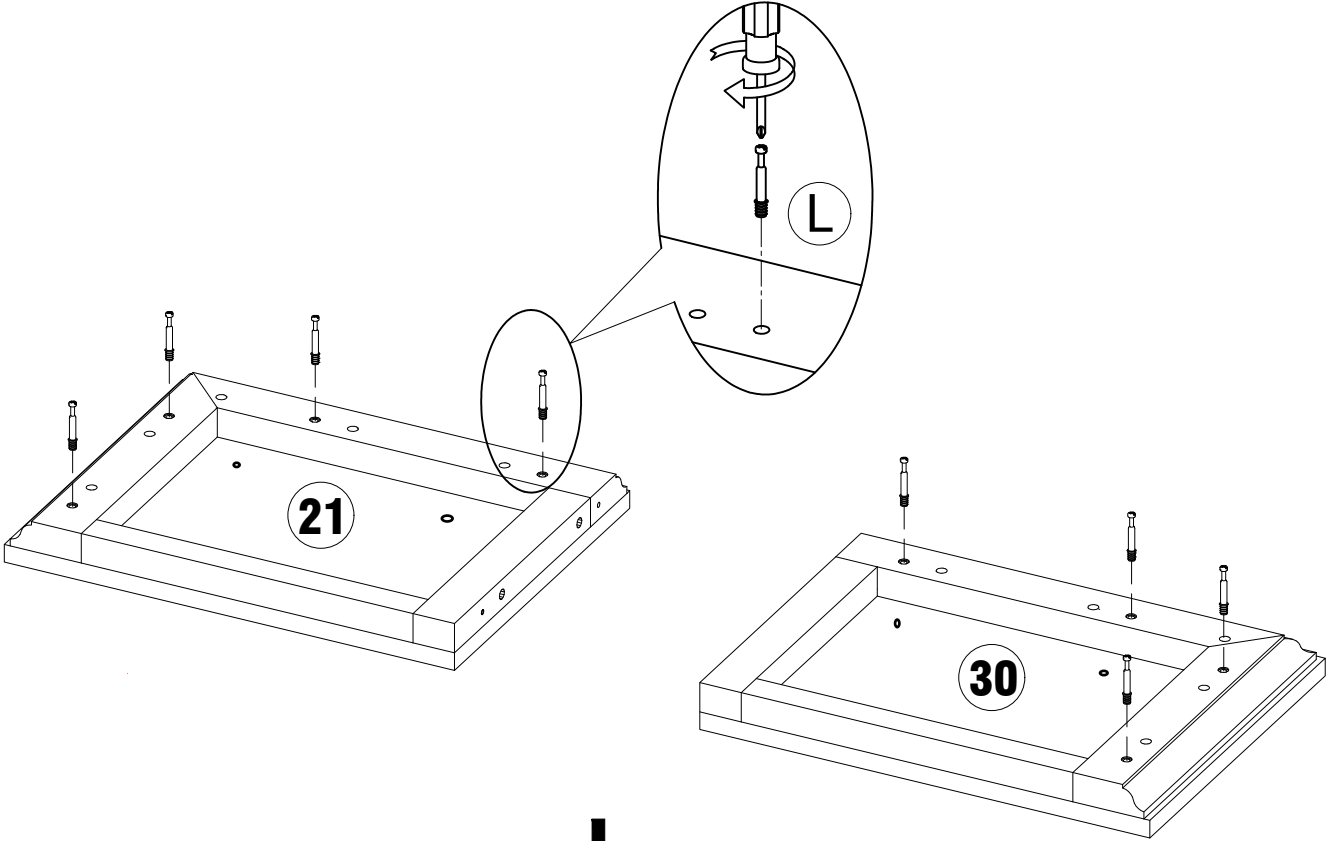
**10X**

**P**

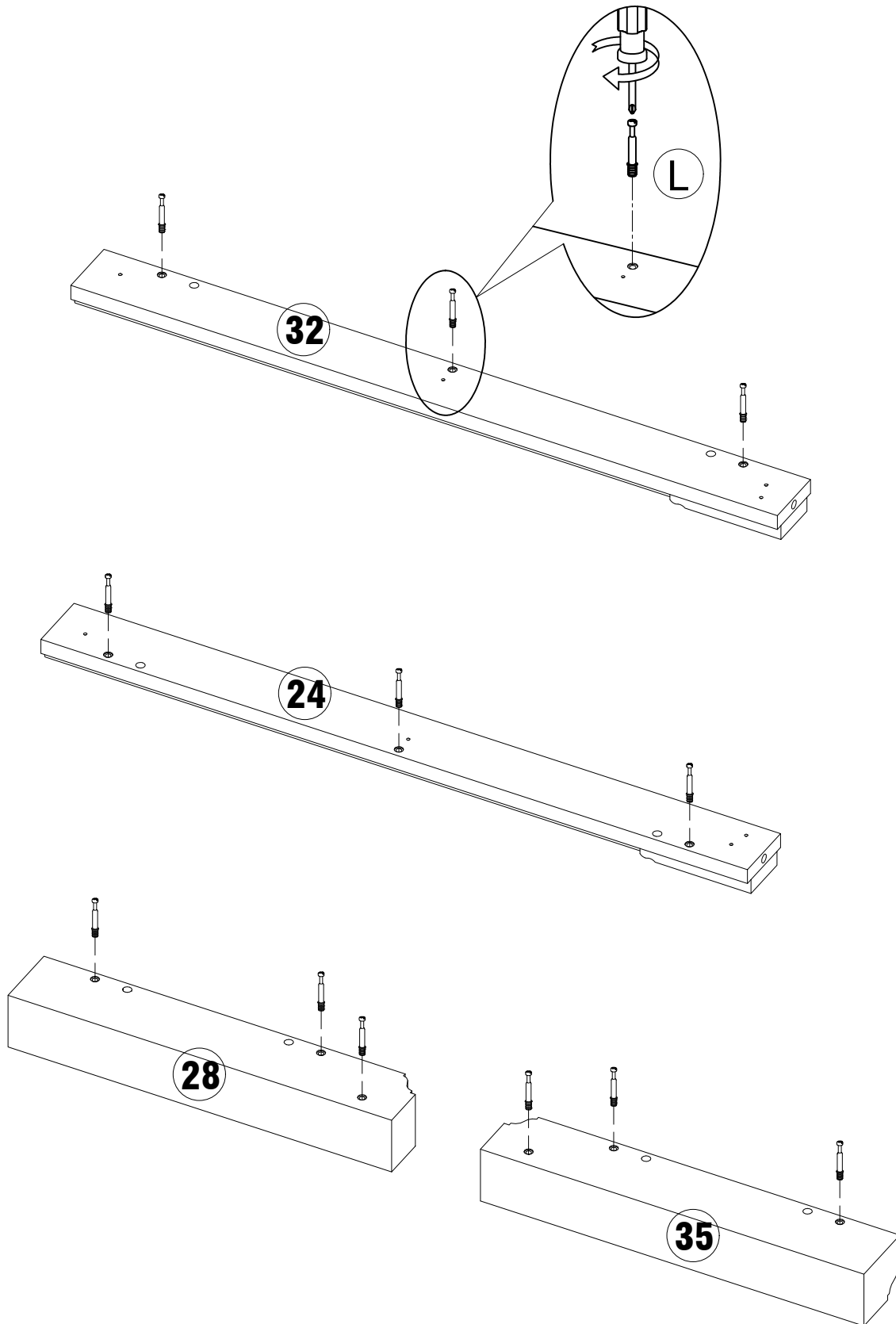
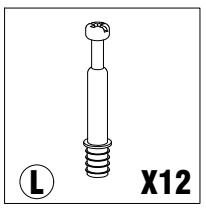
**1X**

# STEP 1

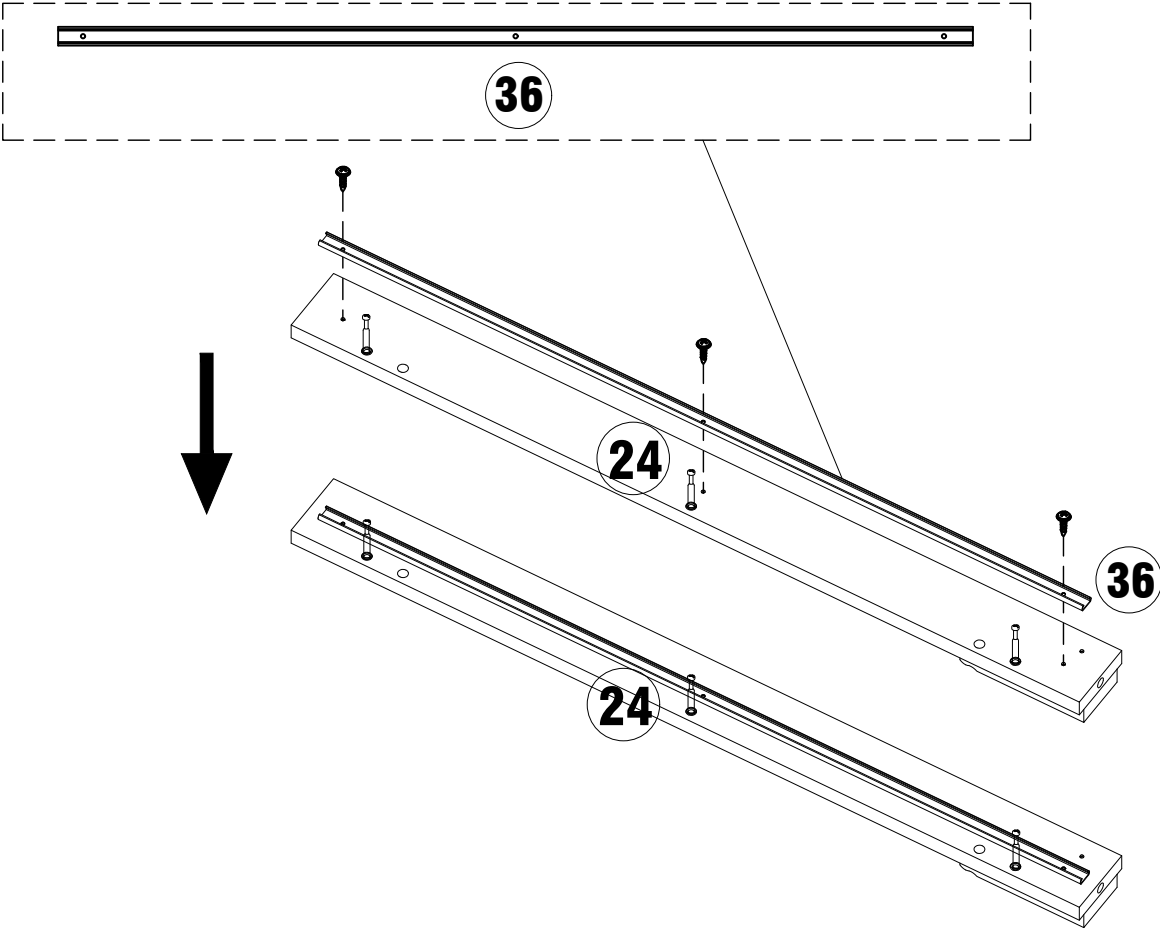
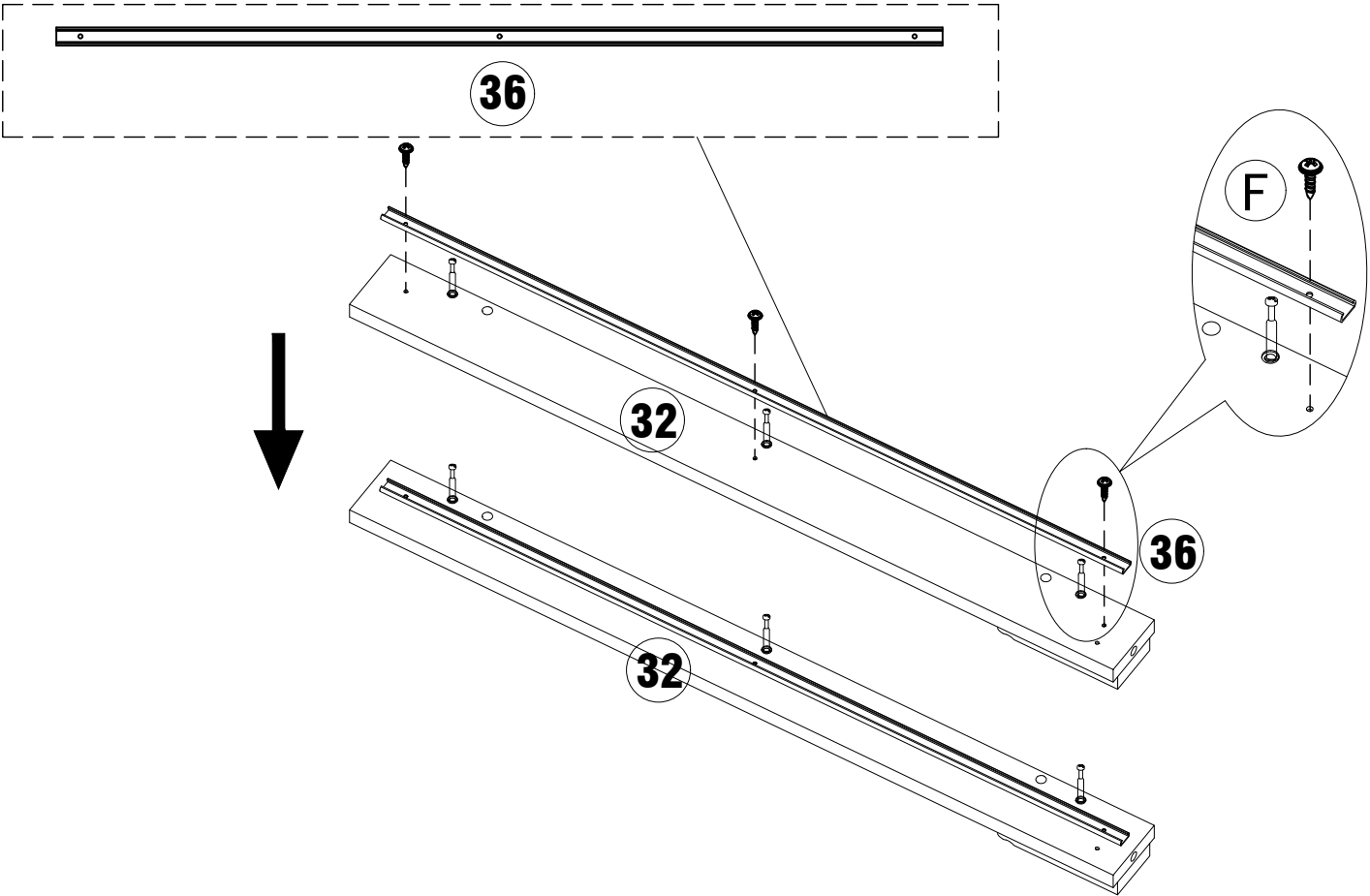
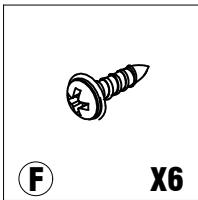
		
<b>A</b>	<b>L</b>	<b>M</b>
<b>X4</b>	<b>X8</b>	<b>X4</b>



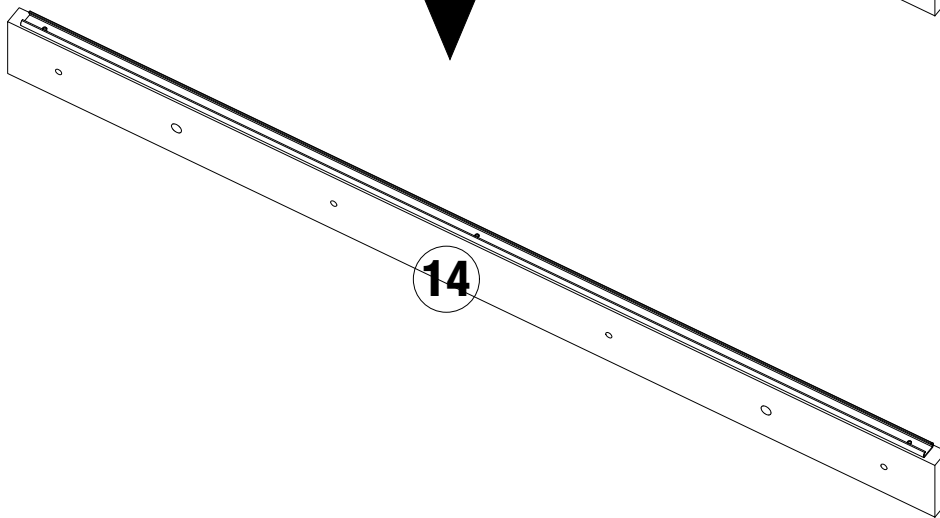
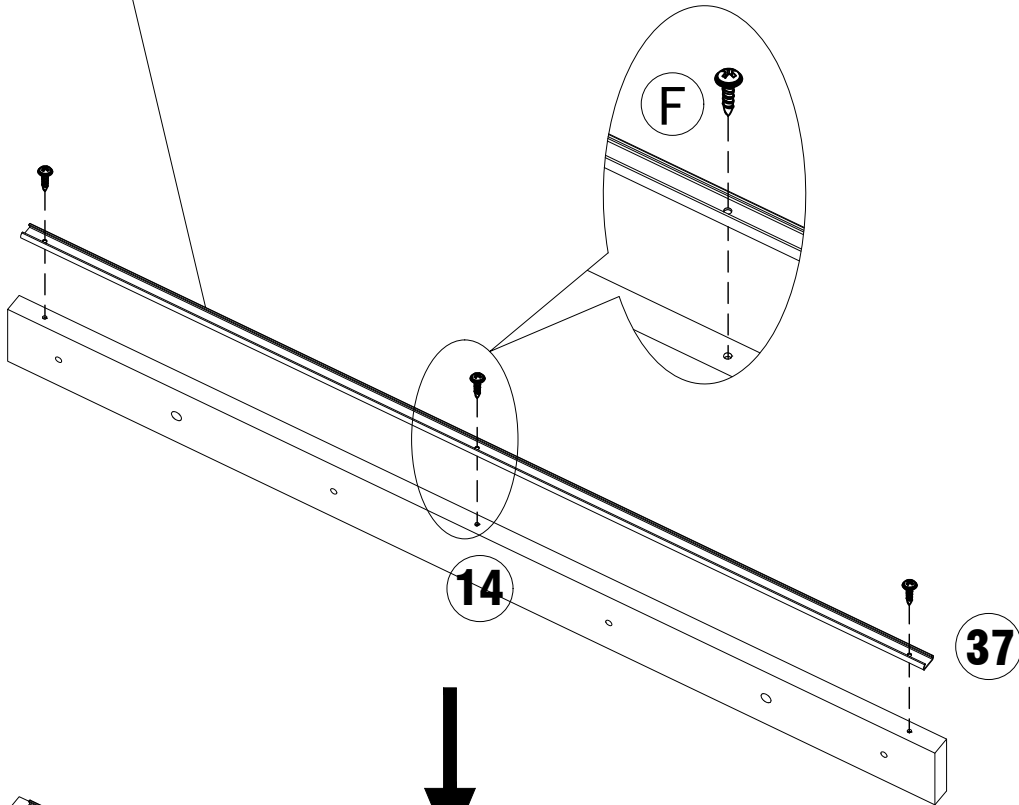
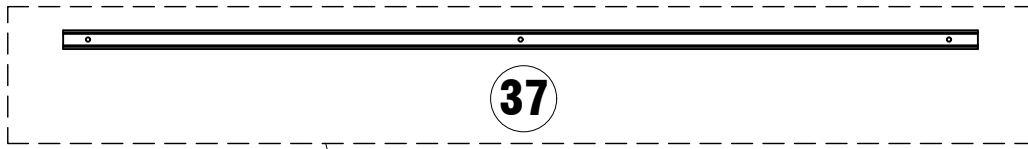
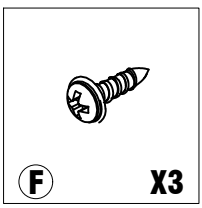
# STEP 2



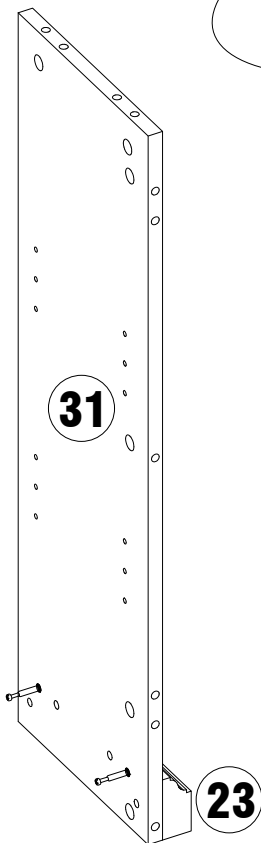
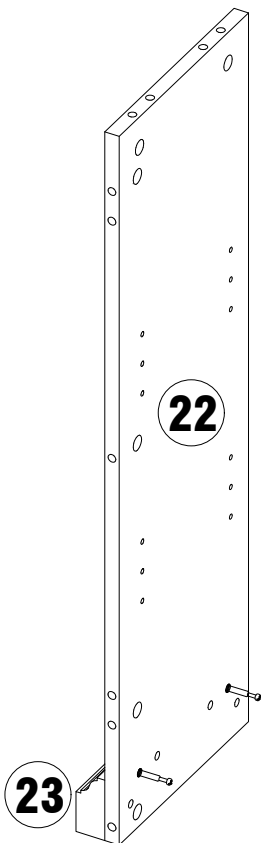
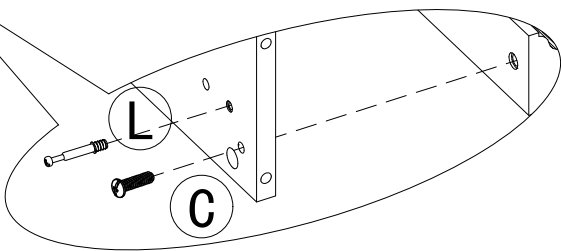
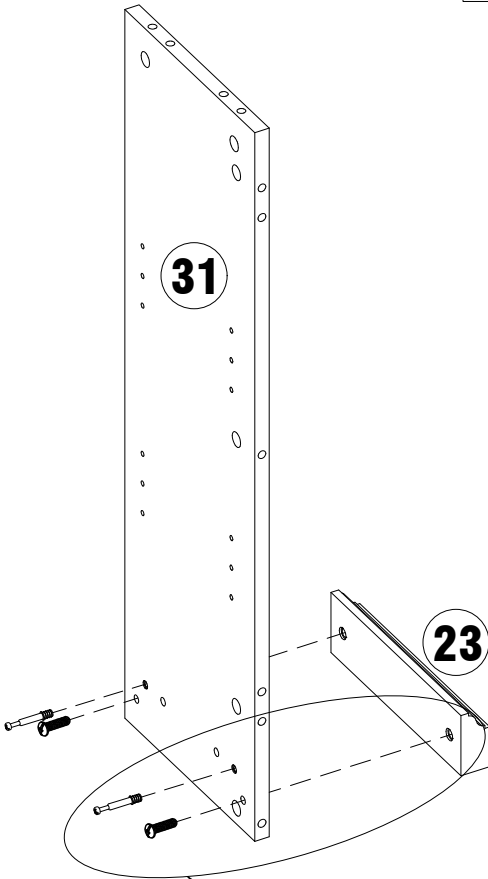
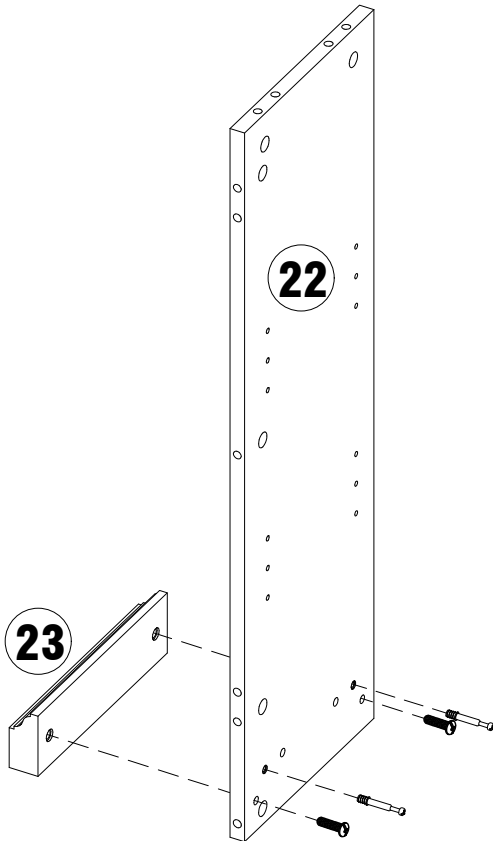
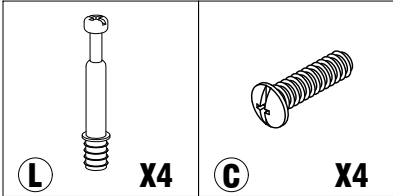
# STEP 3





# STEP 4

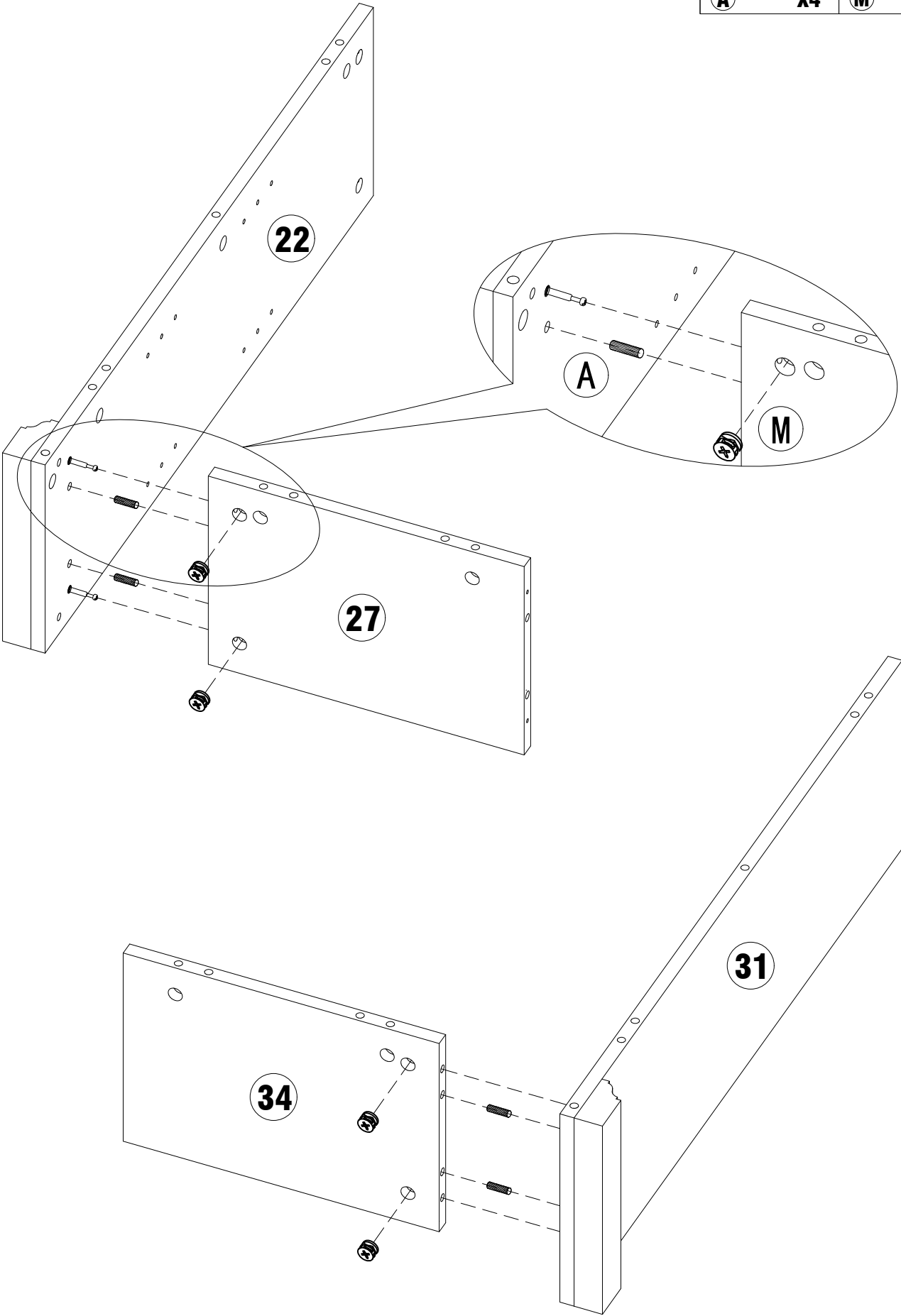


# STEP 5





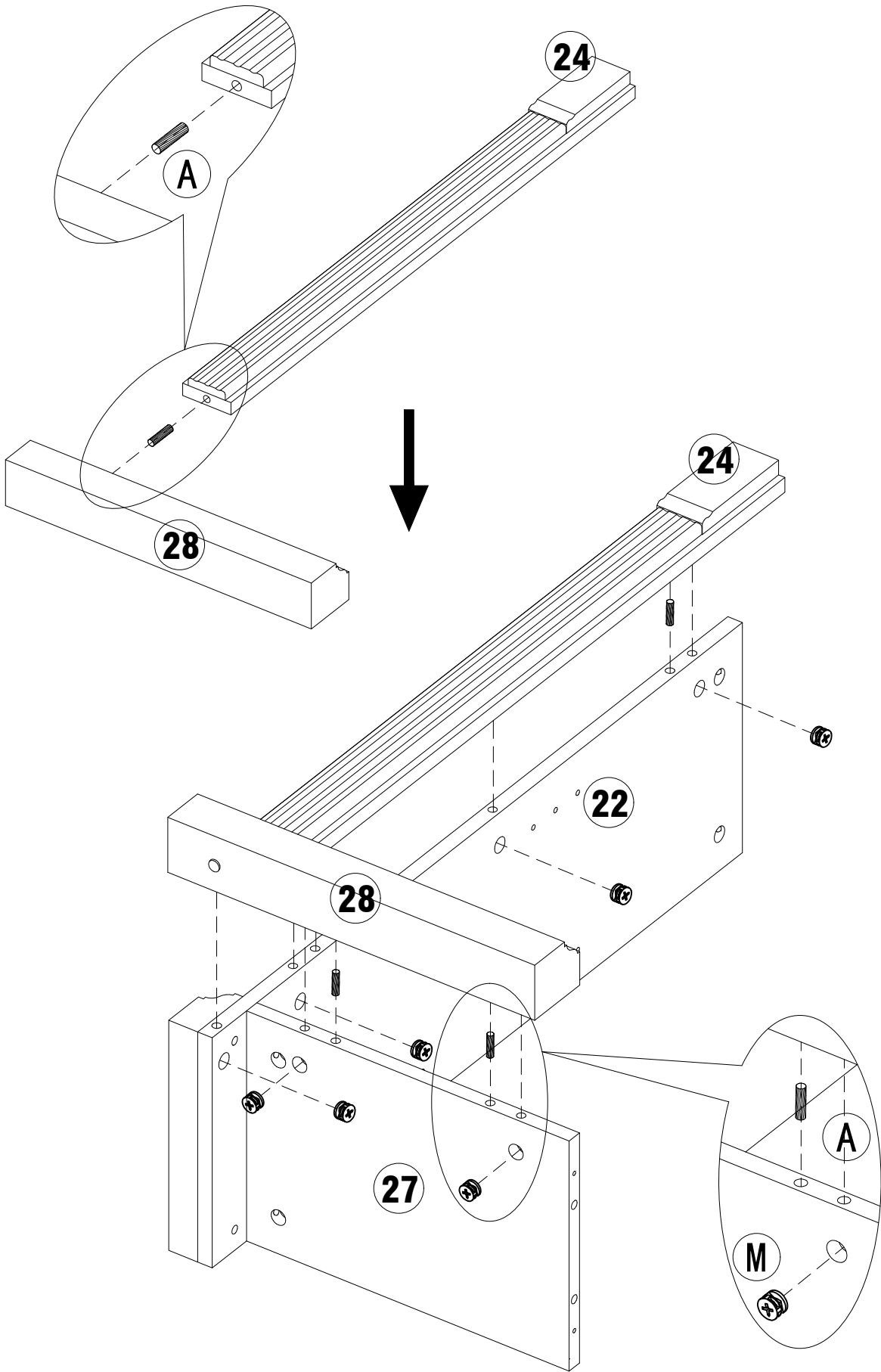
# STEP 6

	
<b>A</b>	<b>M</b>
<b>X4</b>	<b>X4</b>





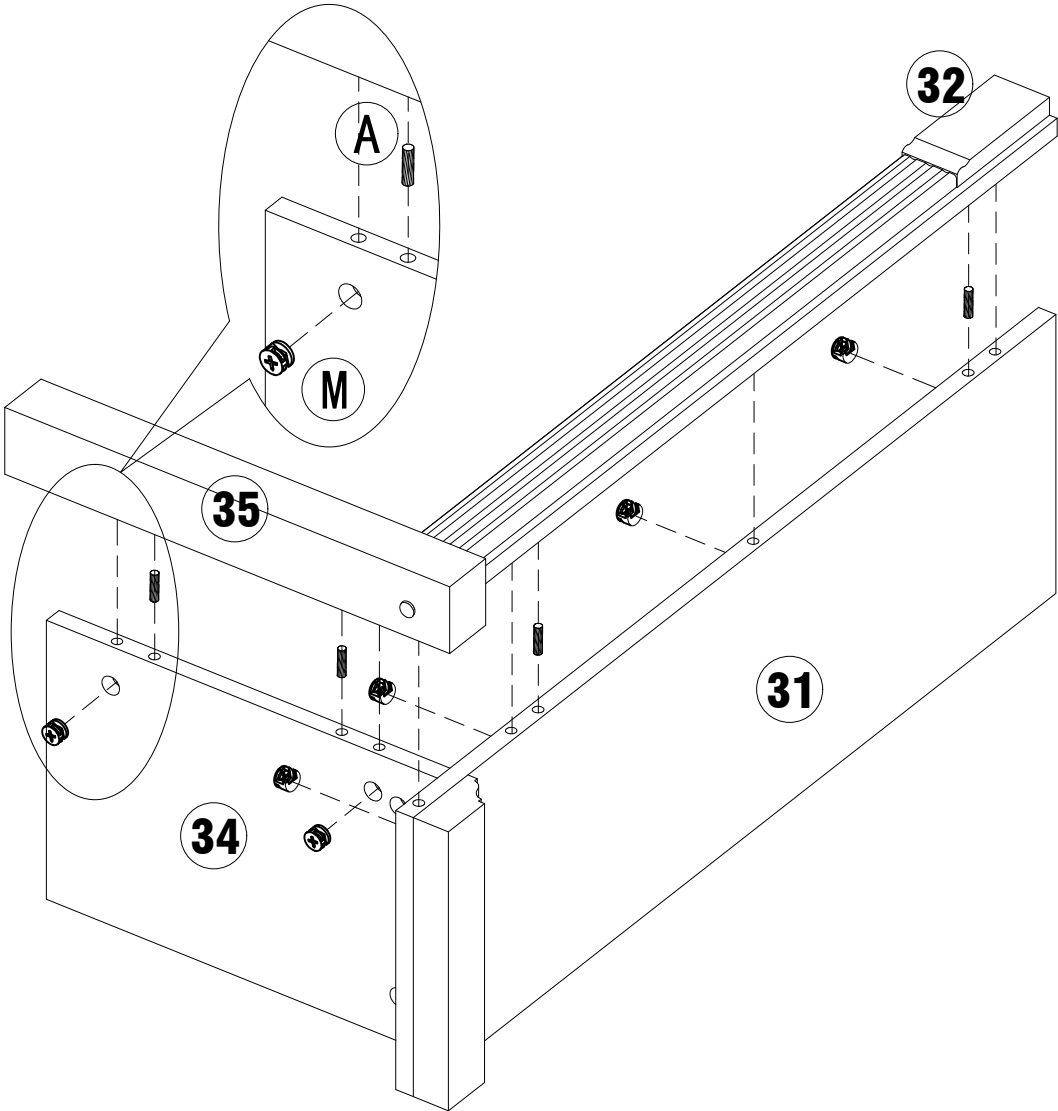
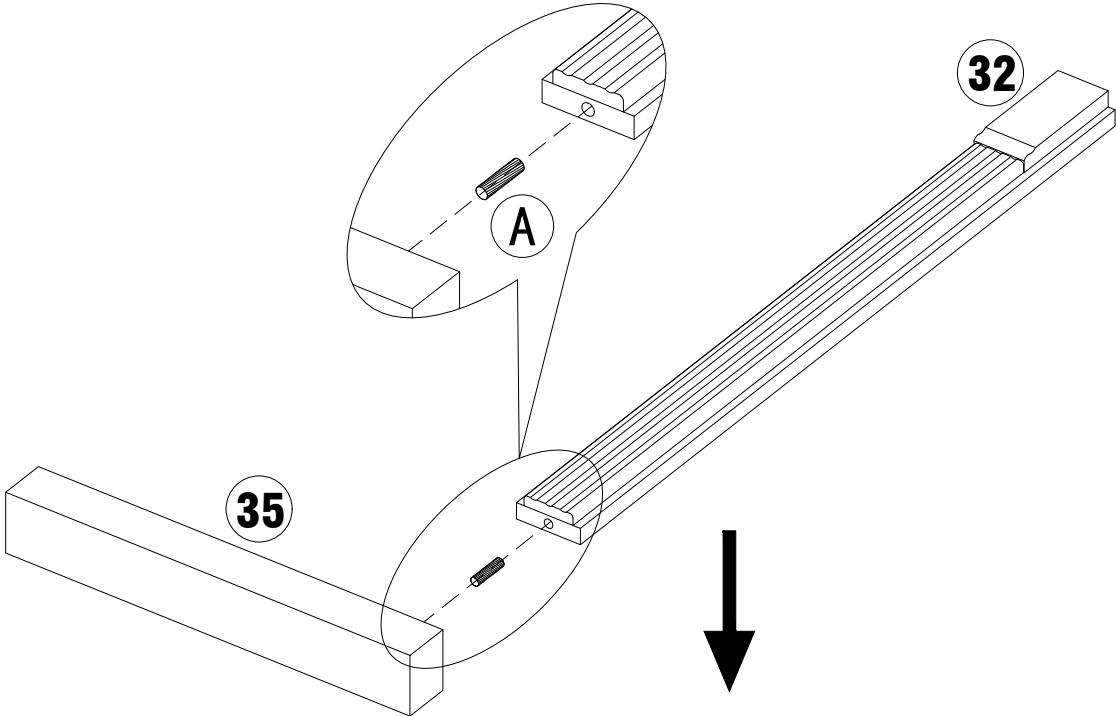
# STEP 7

	
<b>A</b>	<b>M</b>
<b>X5</b>	<b>X6</b>





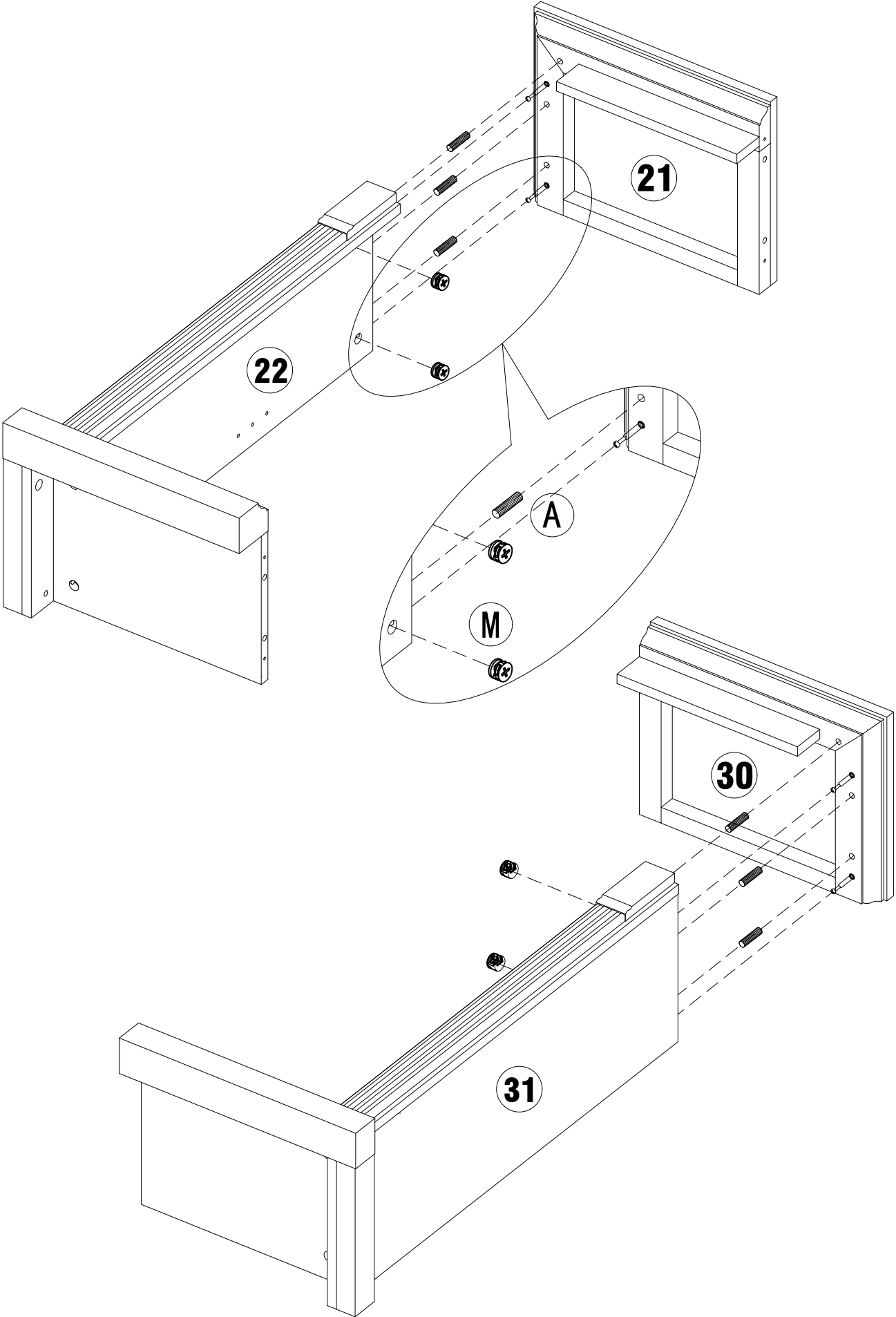
# STEP 8

	
<b>A</b>	<b>M</b>
<b>X5</b>	<b>X6</b>

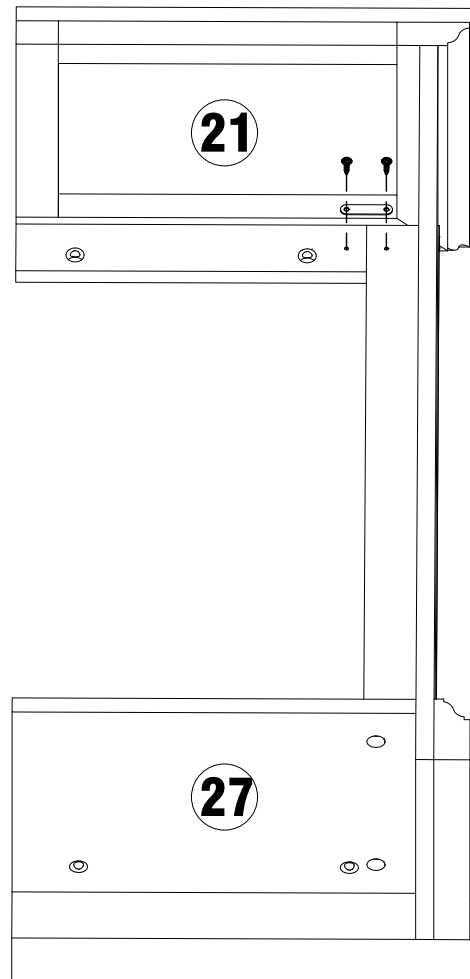
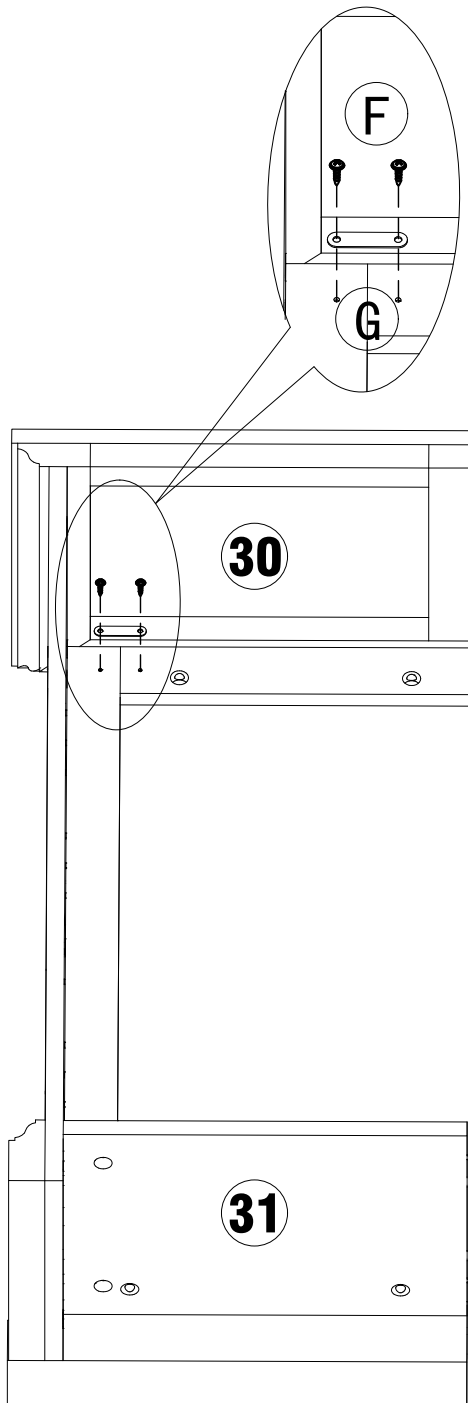
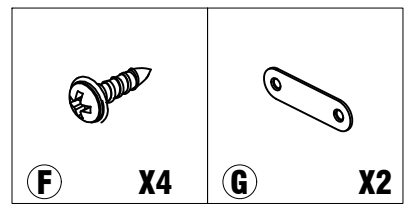


# STEP 9

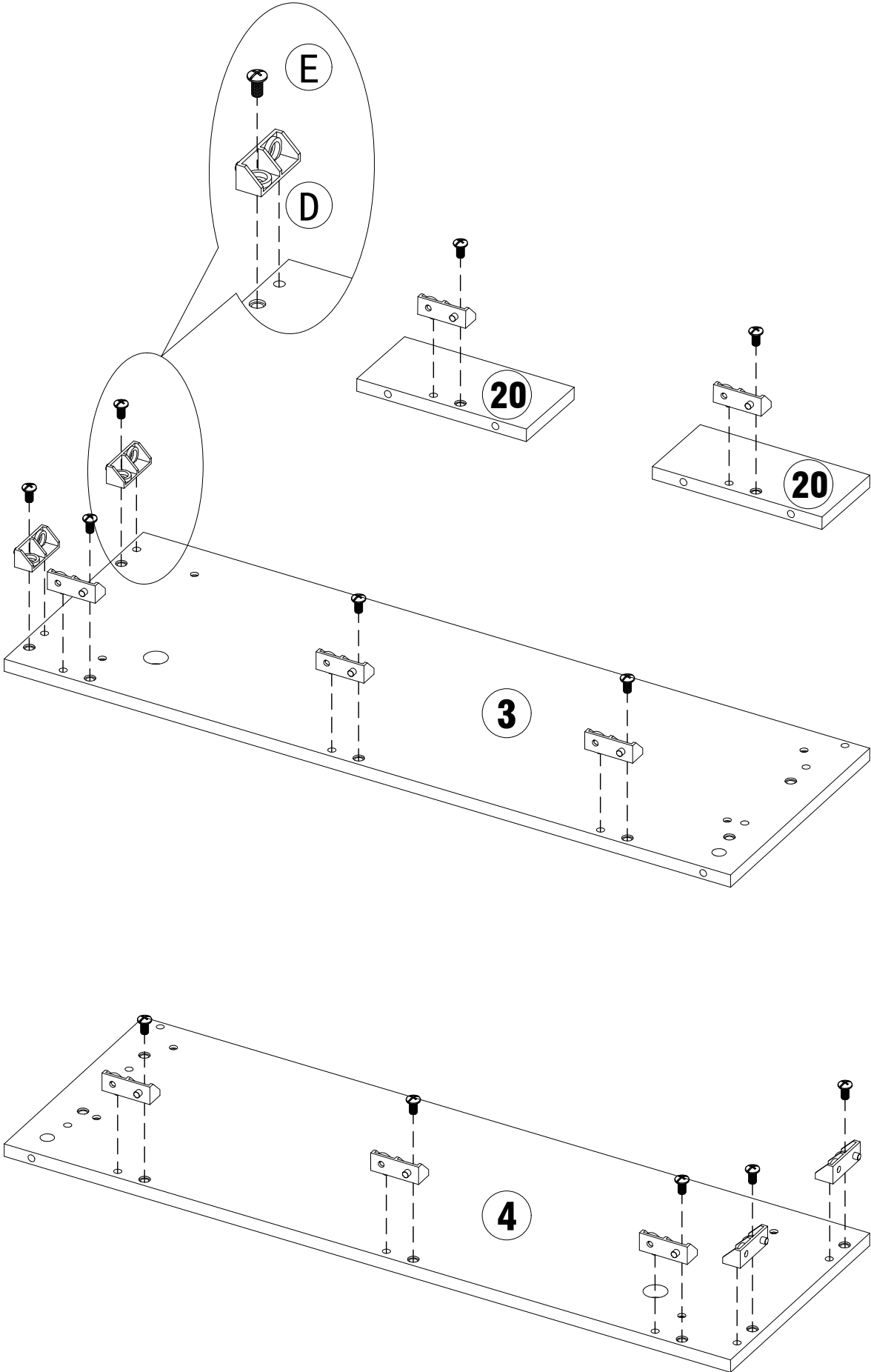
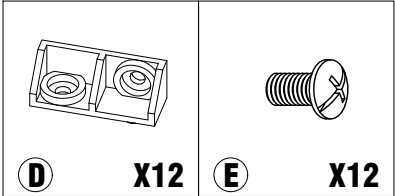
	
<b>A</b>	<b>M</b>
<b>X6</b>	<b>X4</b>



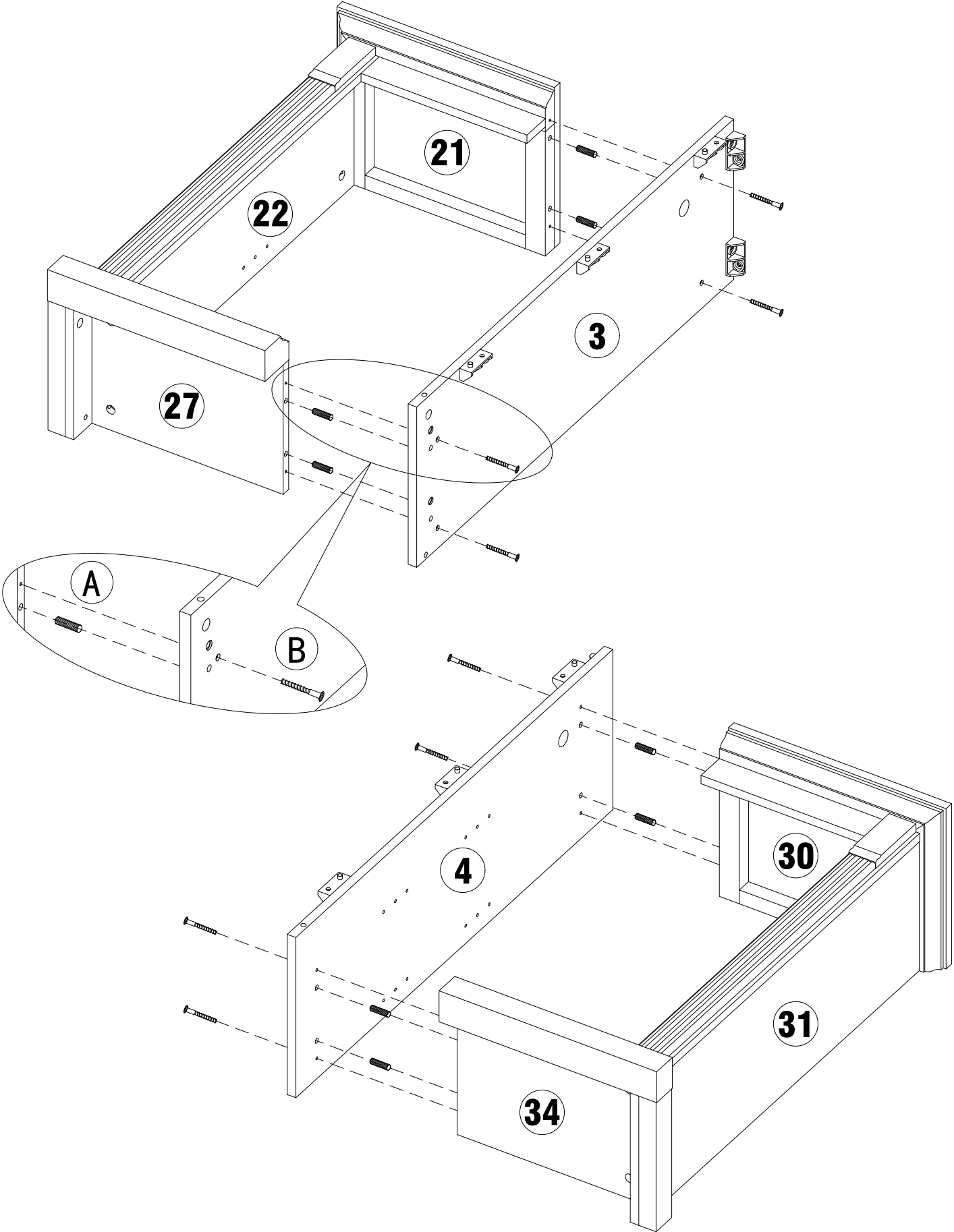
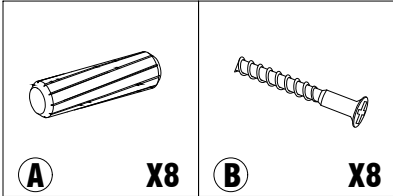
# STEP 10




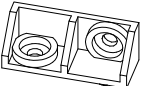
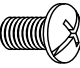


# STEP 11

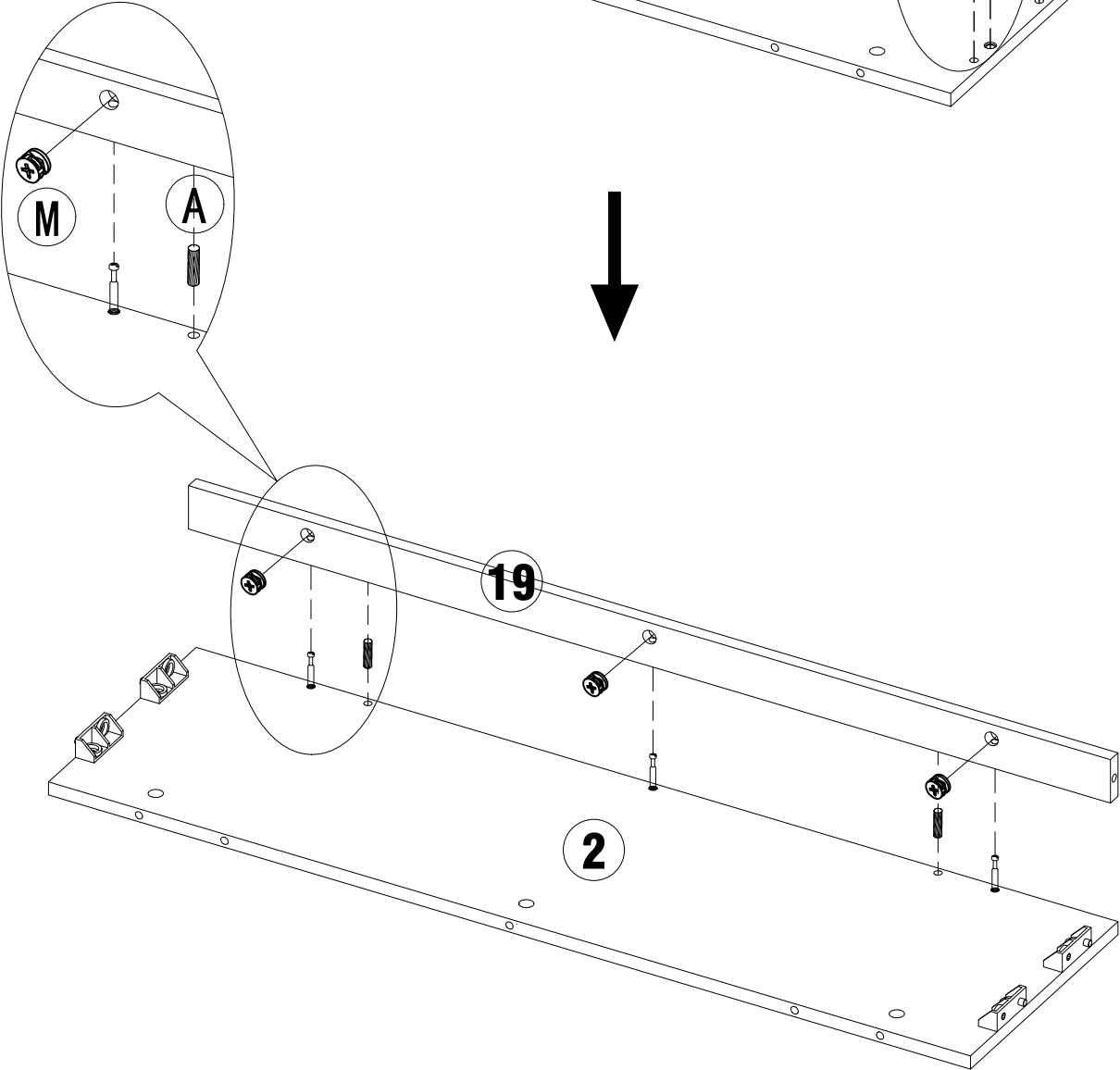
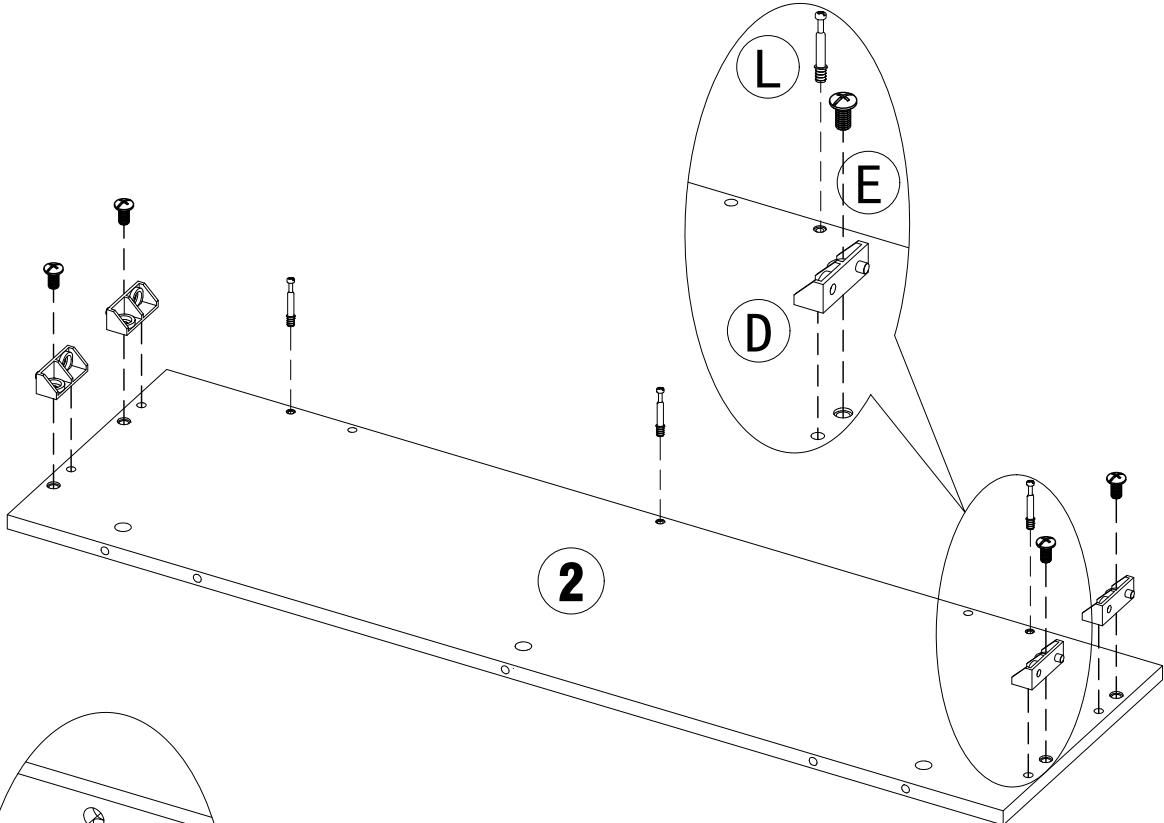


# STEP 12

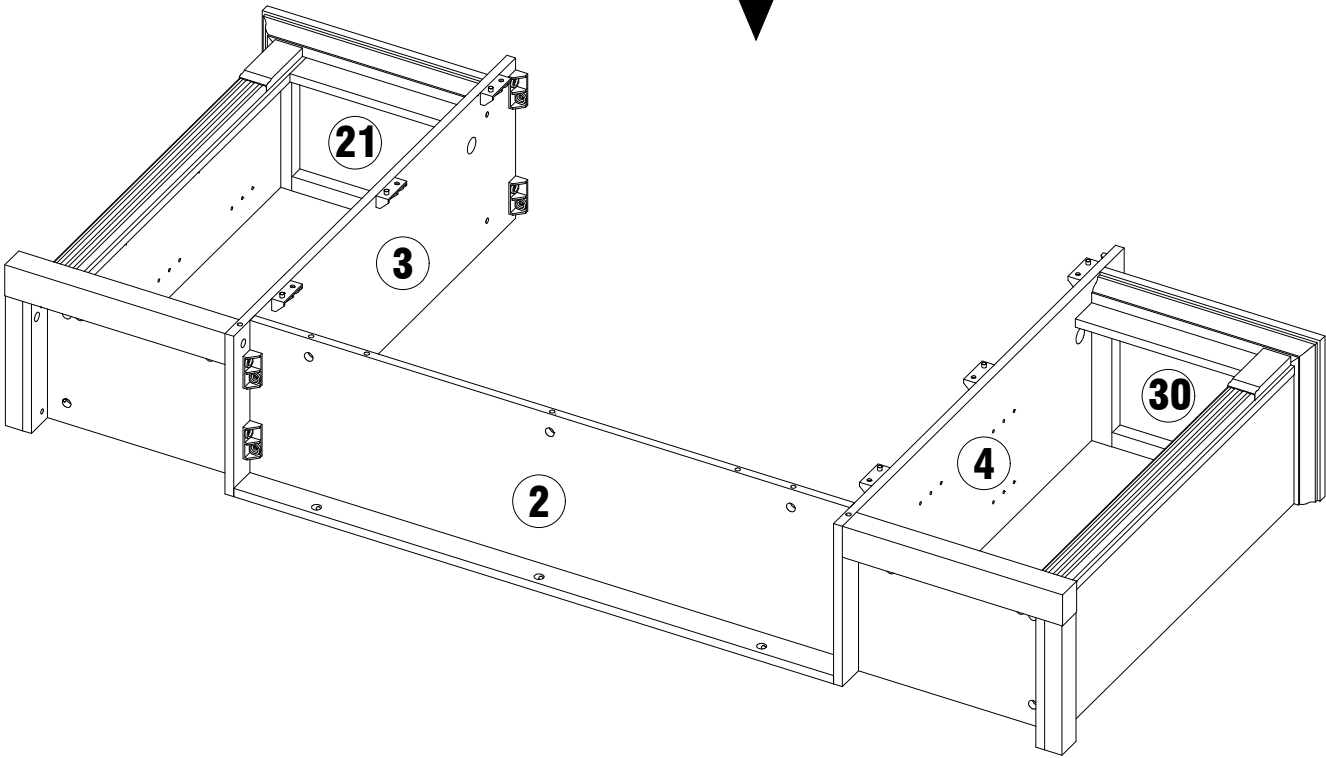
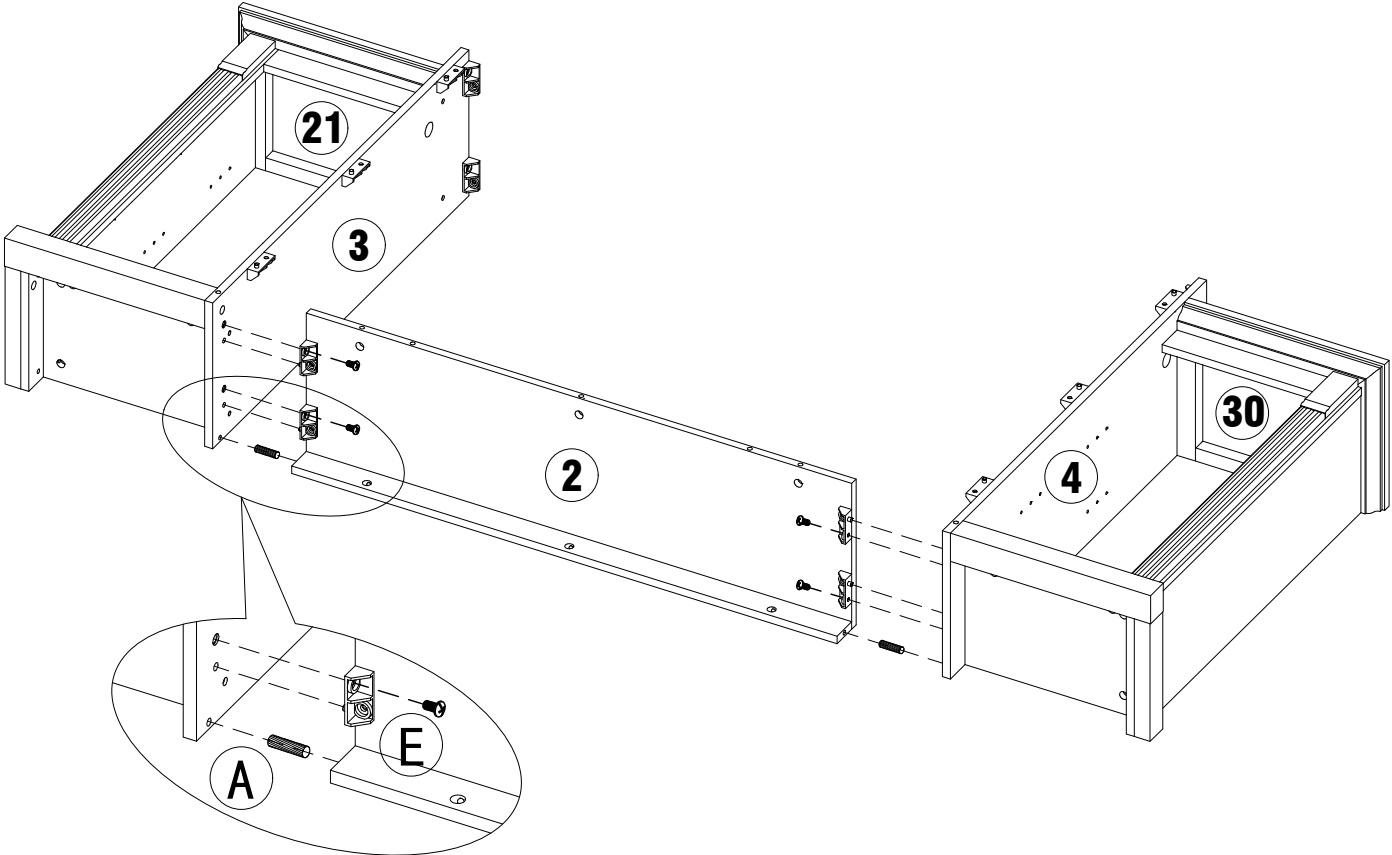
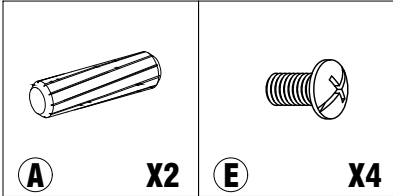


# STEP 13

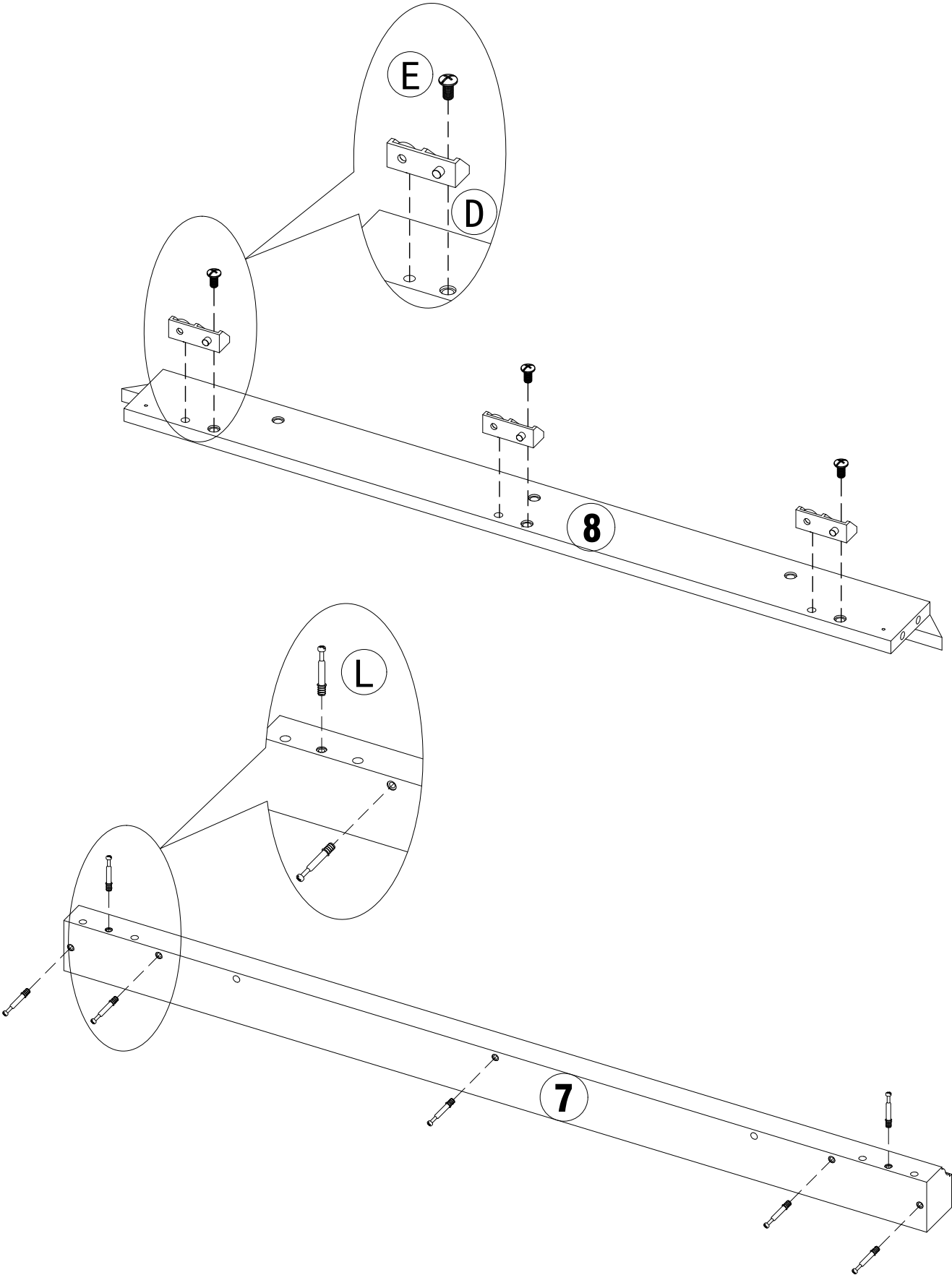
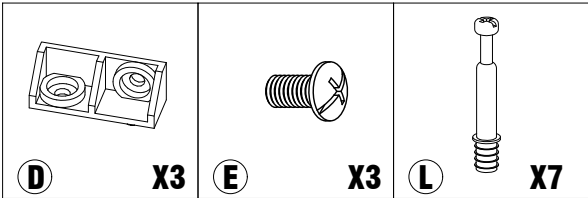
									
<b>A</b>	<b>X2</b>	<b>D</b>	<b>X4</b>	<b>E</b>	<b>X4</b>	<b>L</b>	<b>X3</b>	<b>M</b>	<b>X3</b>






# STEP 14

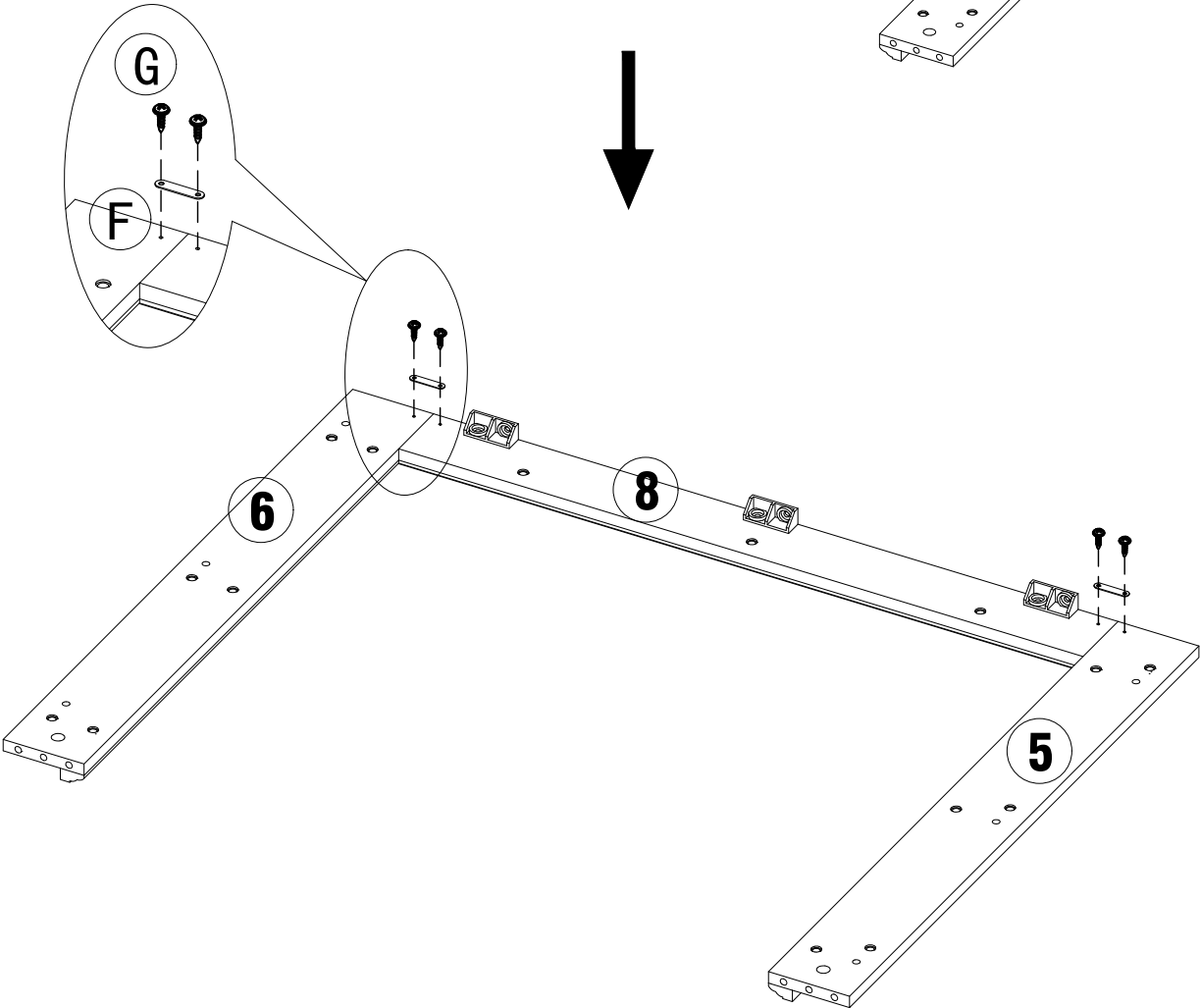
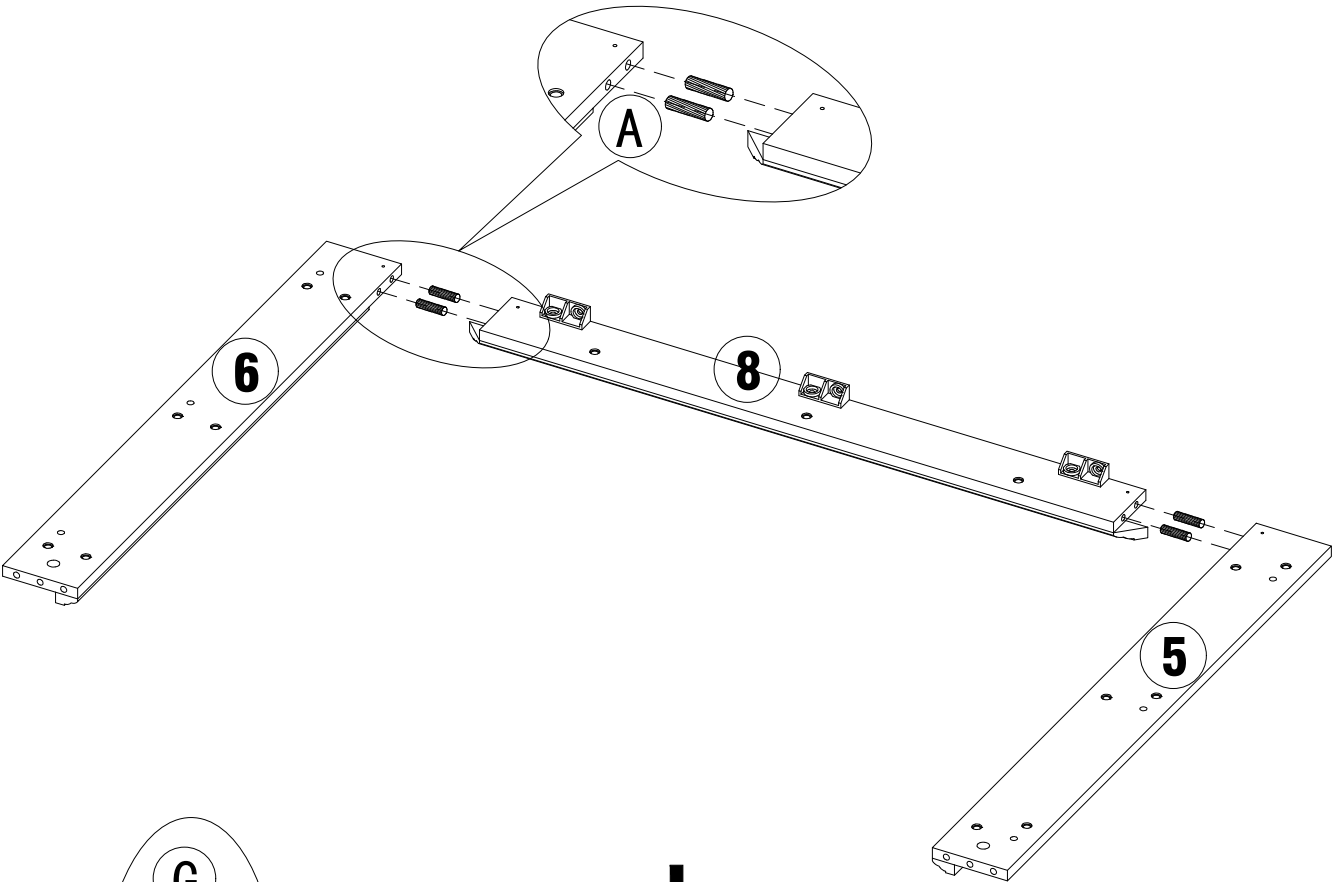


# STEP 15





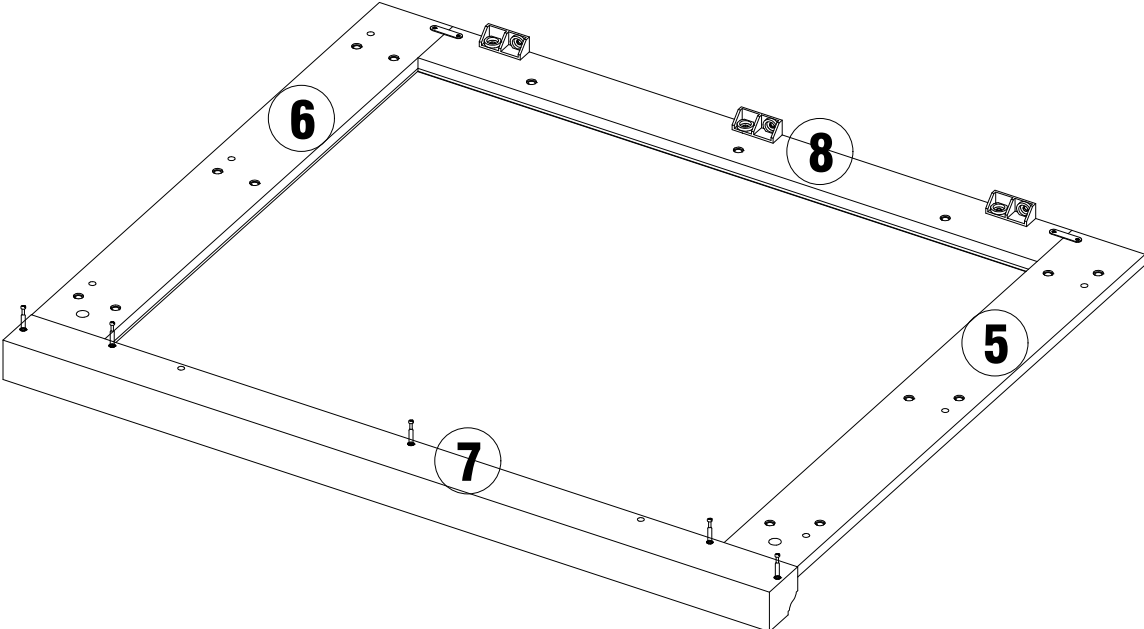
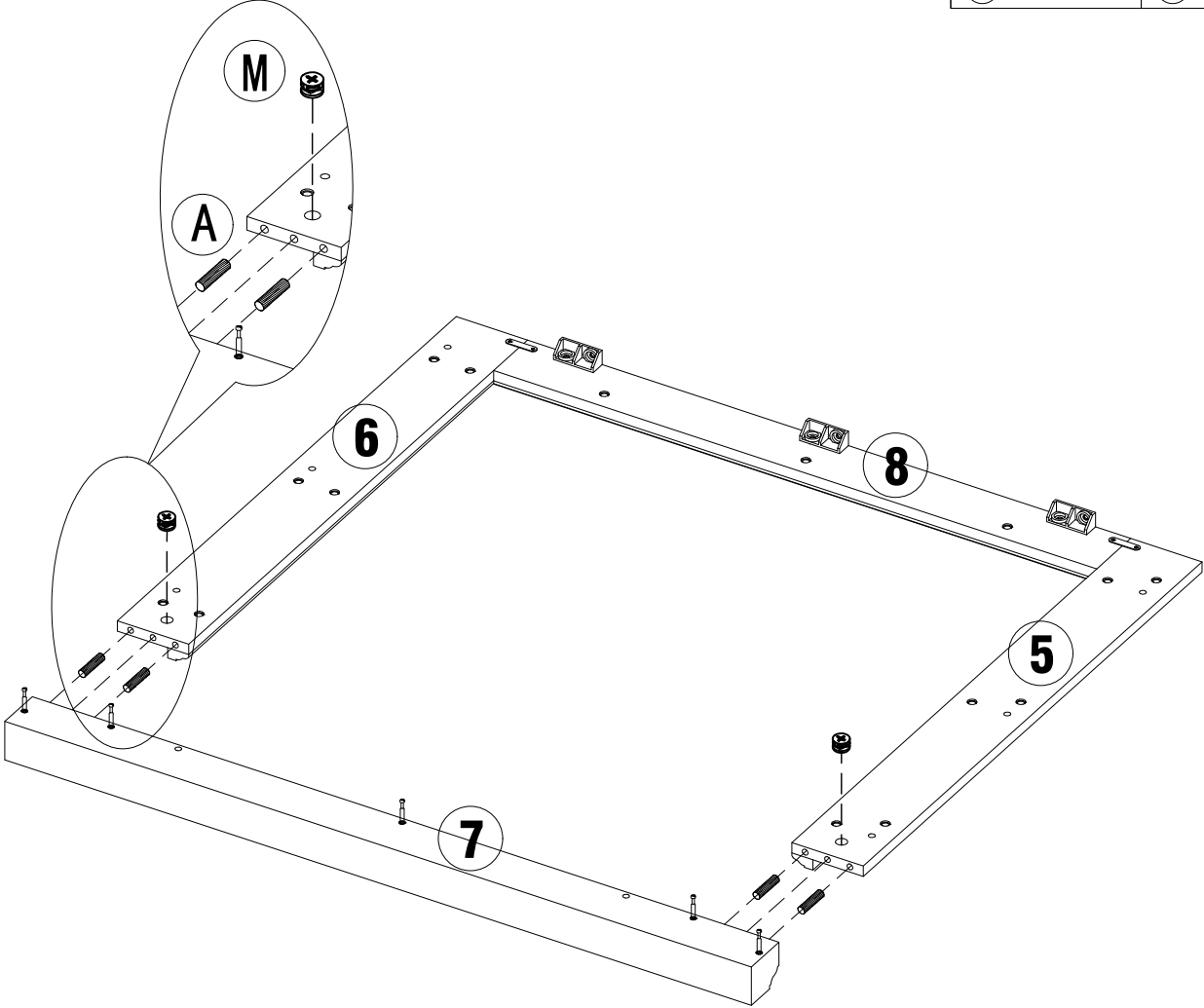
# STEP 16

					
<b>A</b>	<b>X4</b>	<b>F</b>	<b>X4</b>	<b>G</b>	<b>X2</b>





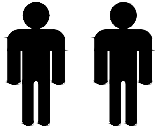
# STEP 17

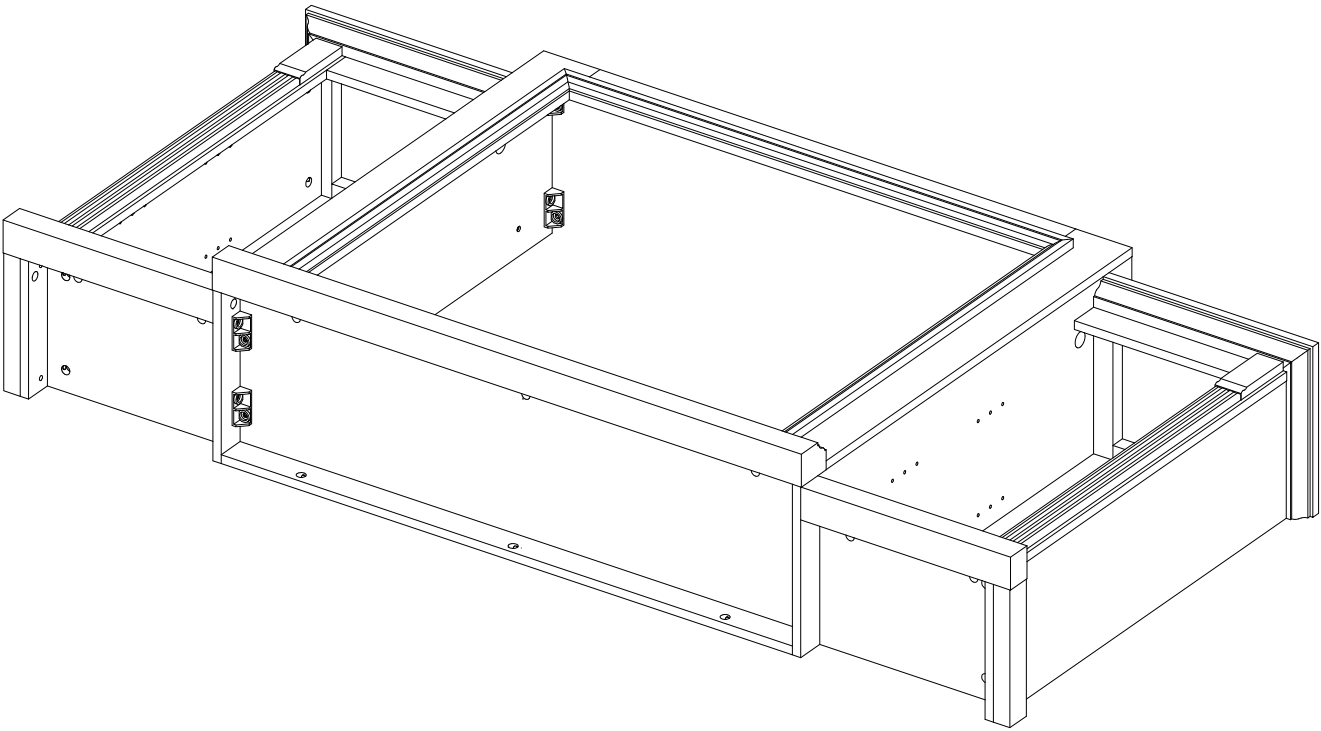
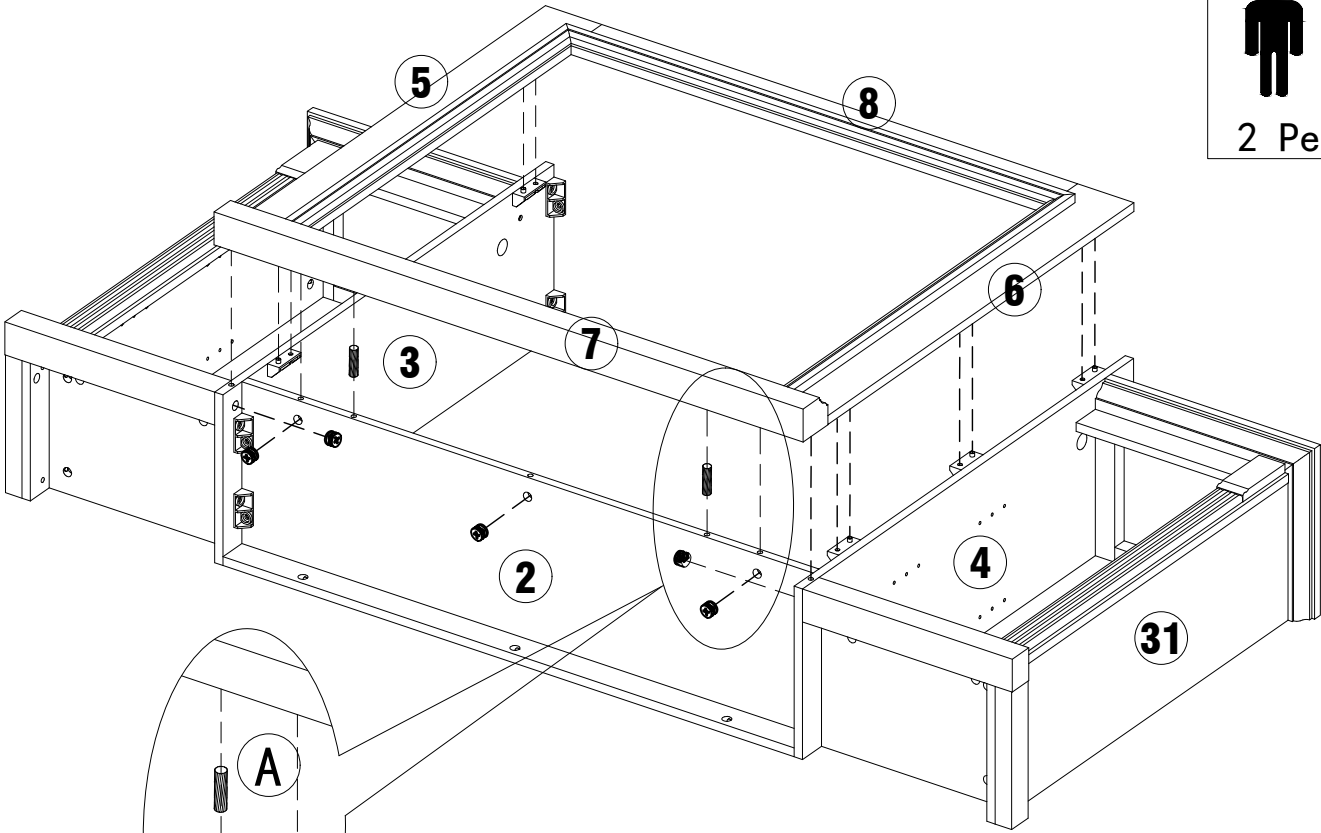
	
<b>A</b>	<b>X4</b>
	<b>M</b>
	<b>X2</b>



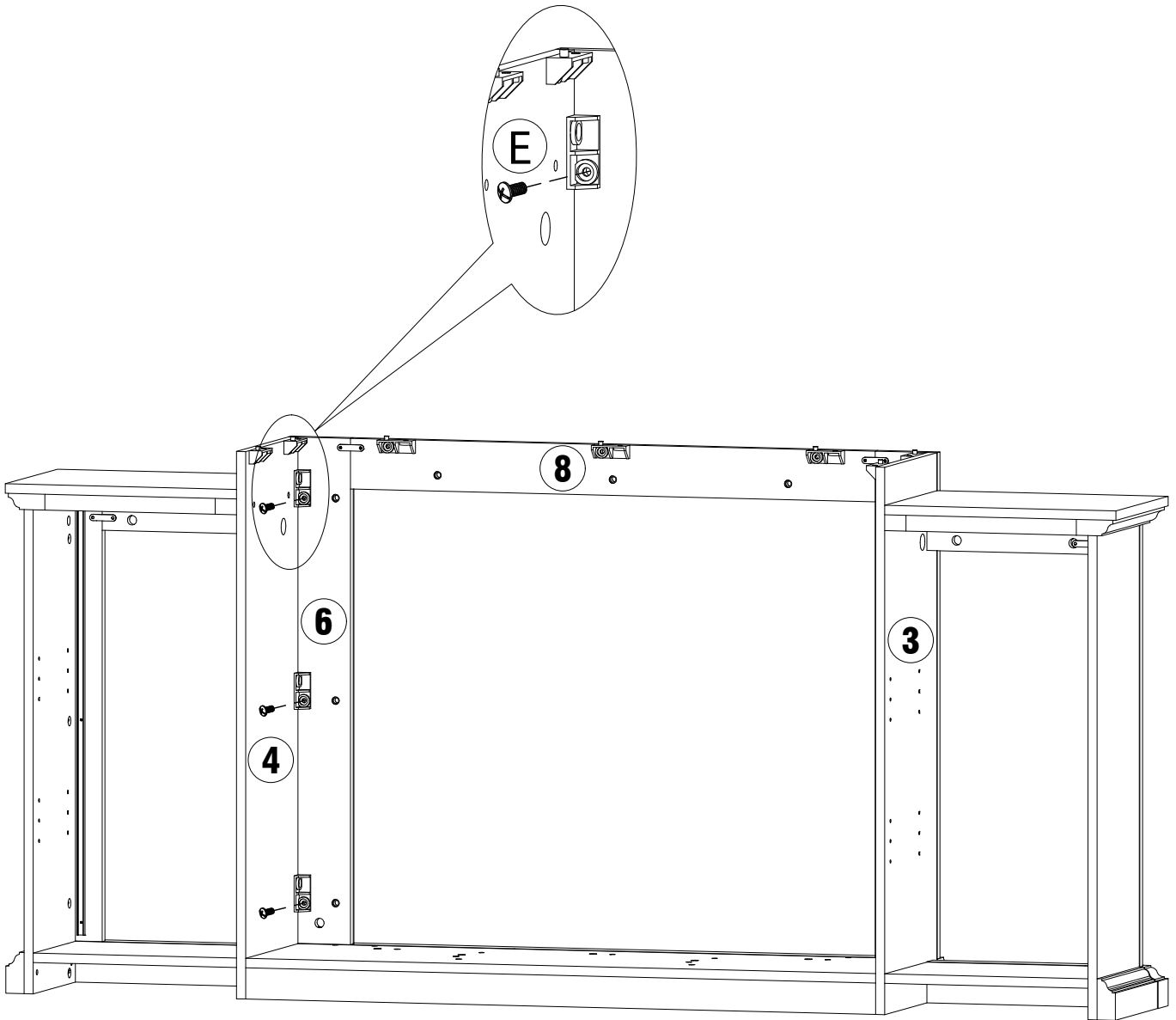
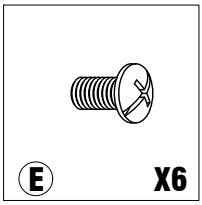
# STEP 18

	
<b>A</b>	<b>M</b>
<b>X2</b>	<b>X5</b>

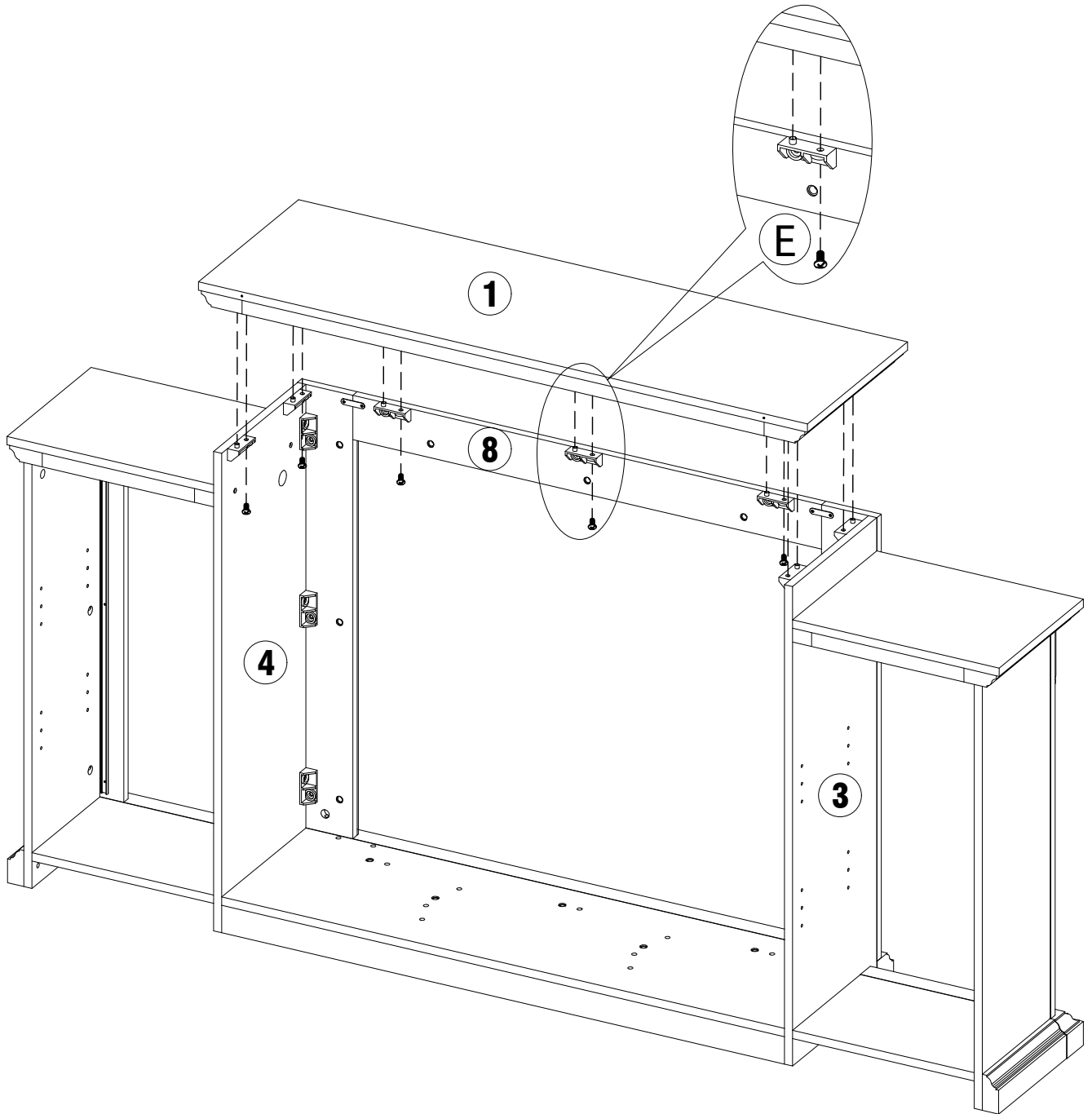
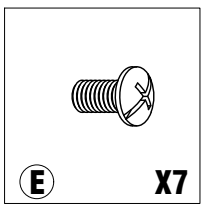

<b>2 People</b>






# STEP 19

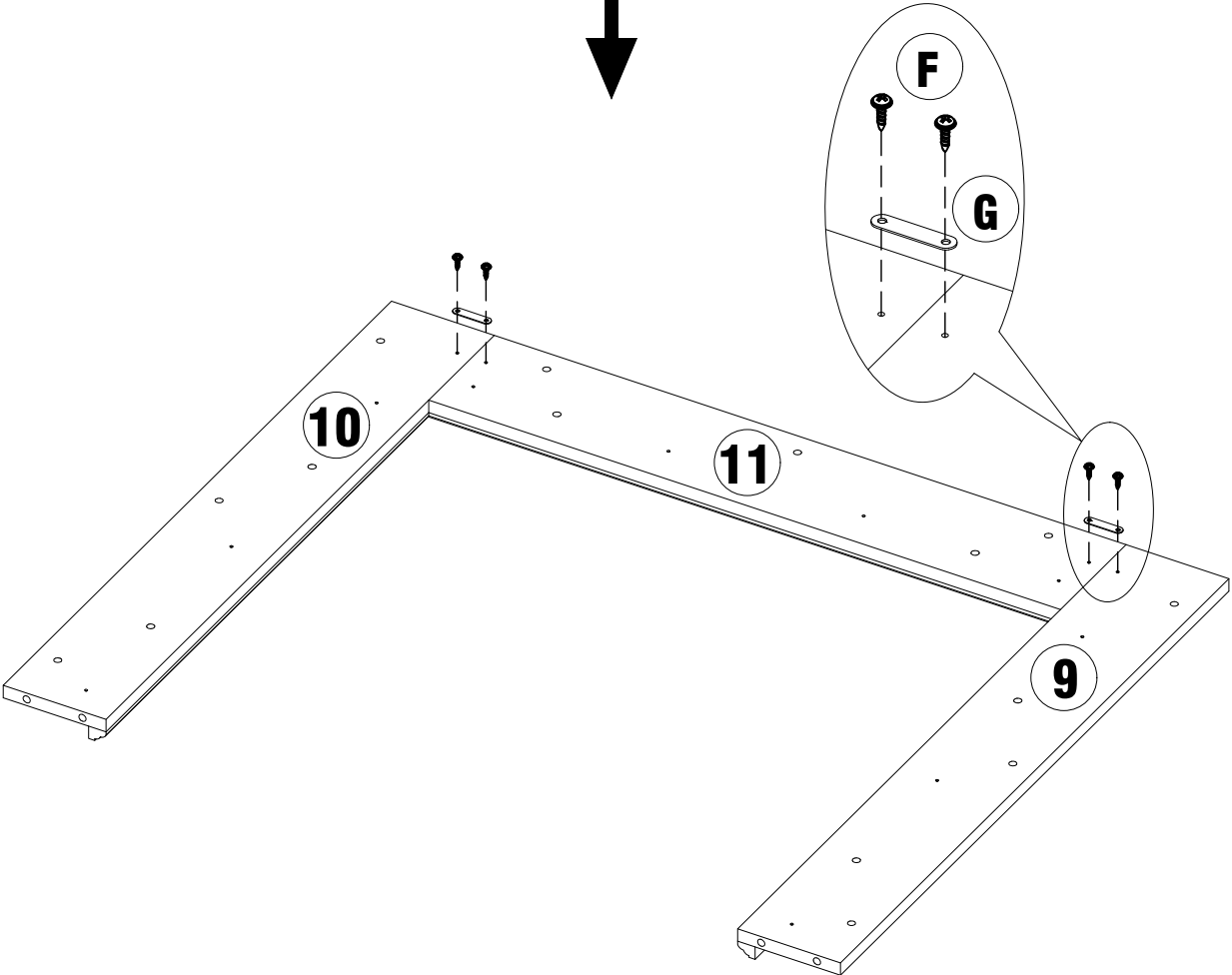
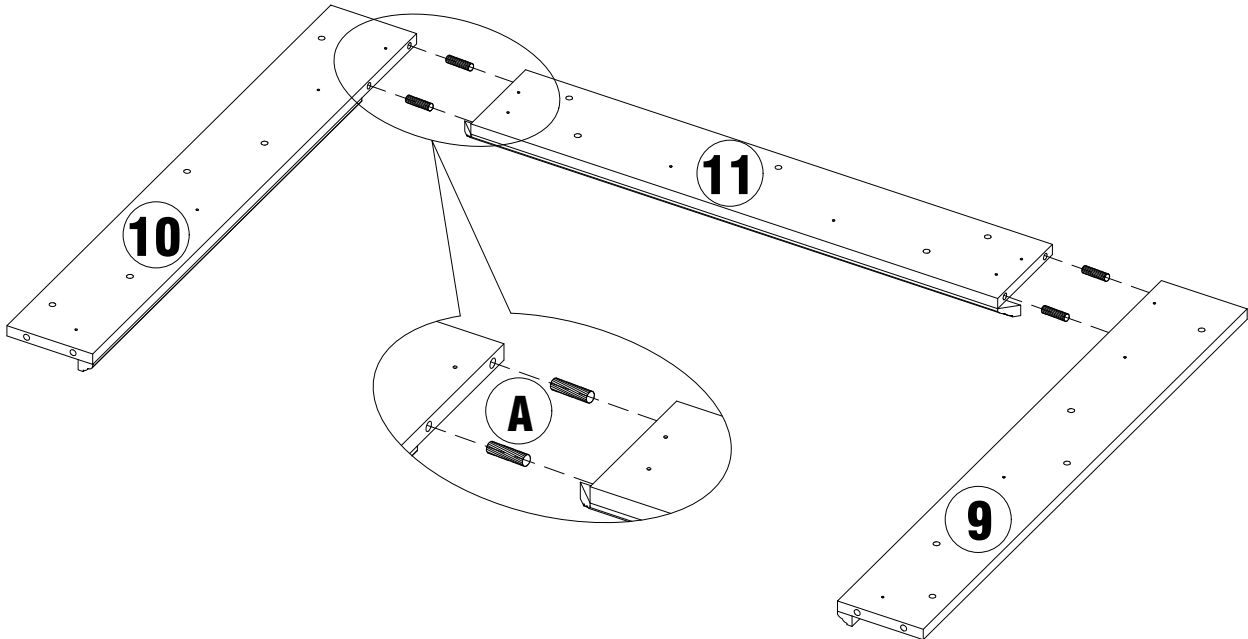


# STEP 20


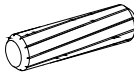
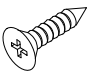


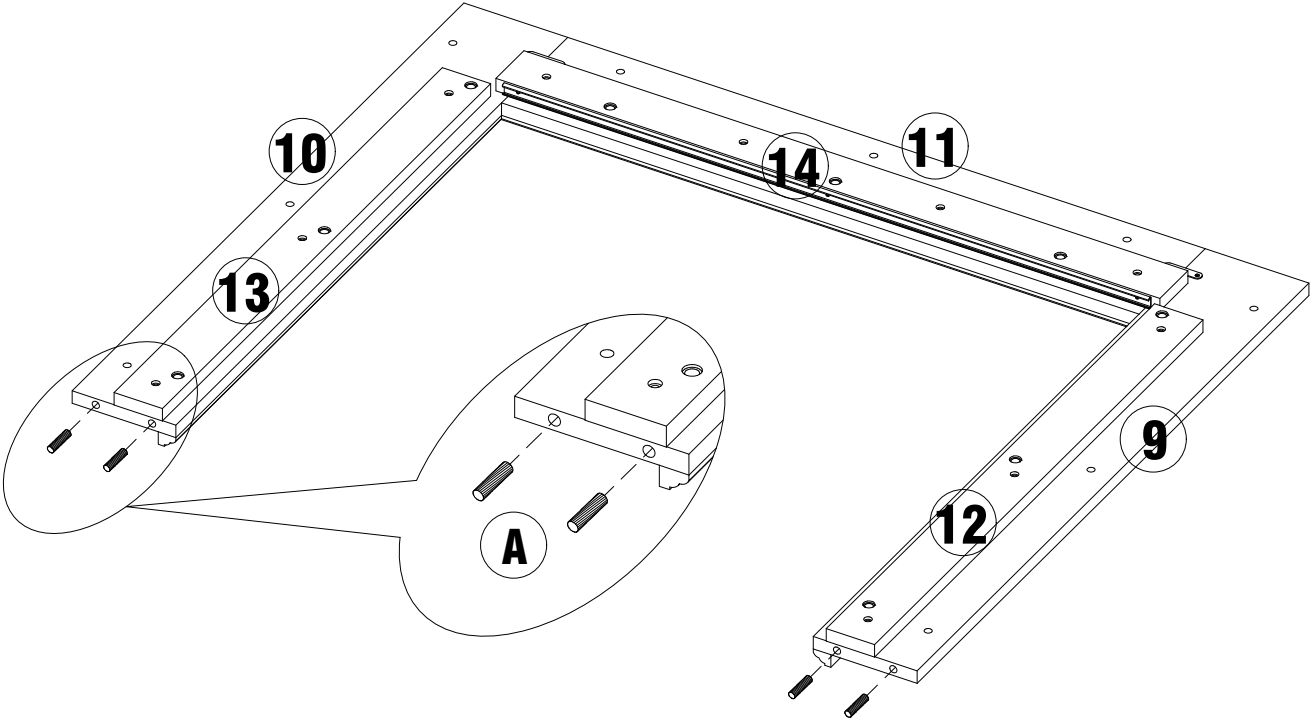
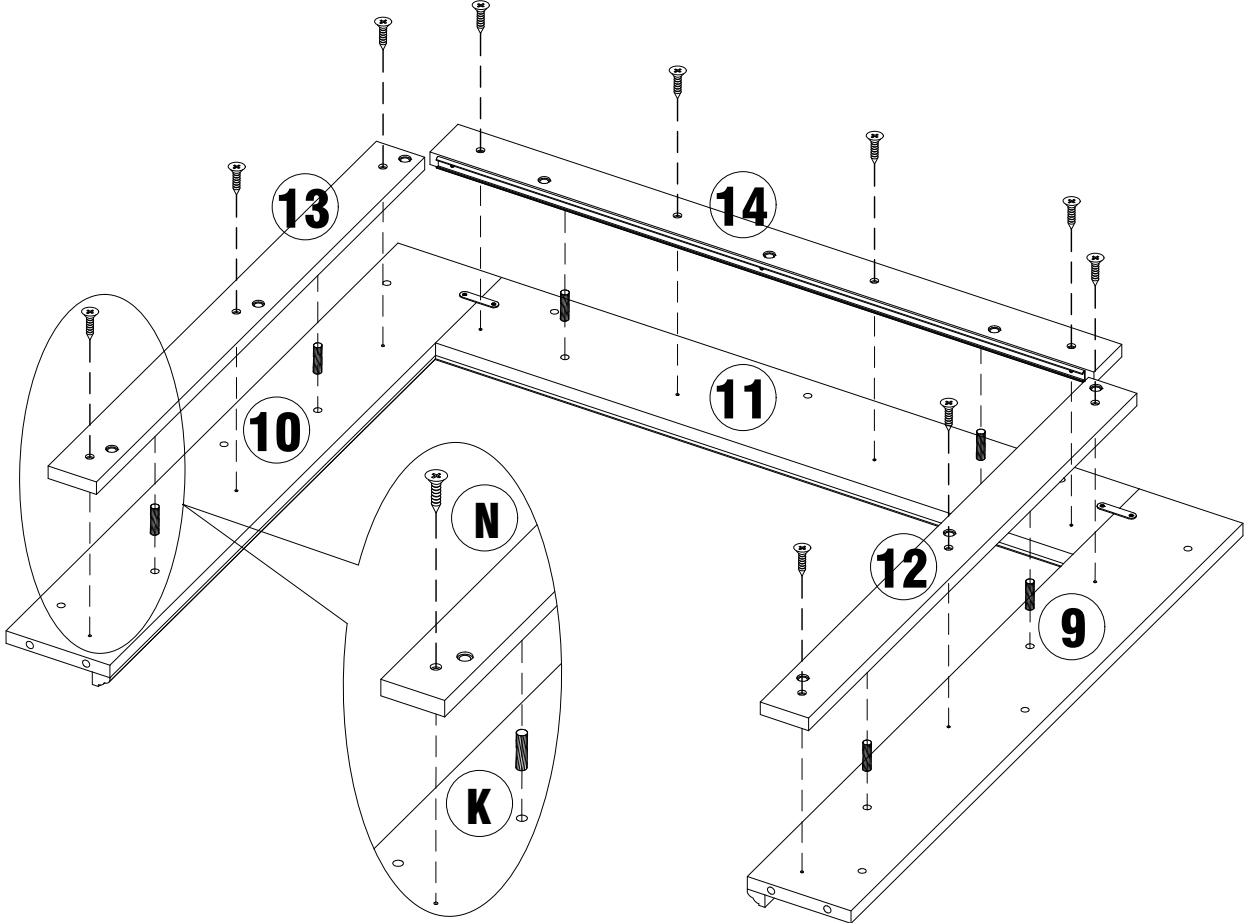
# STEP 21

					
<b>A</b>	<b>X4</b>	<b>F</b>	<b>X4</b>	<b>G</b>	<b>X2</b>

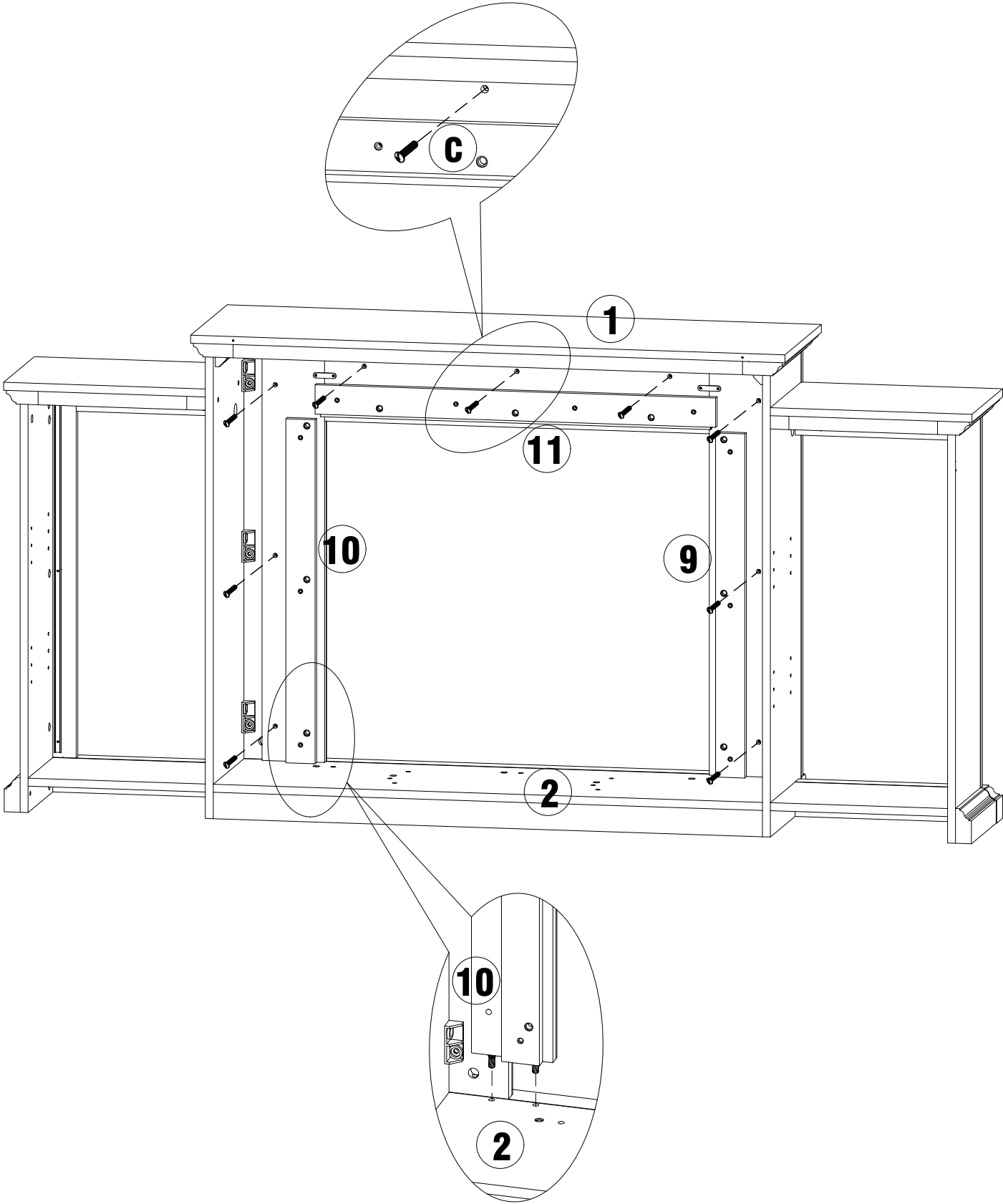
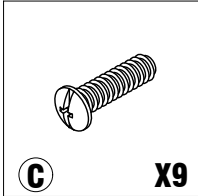


# STEP 22

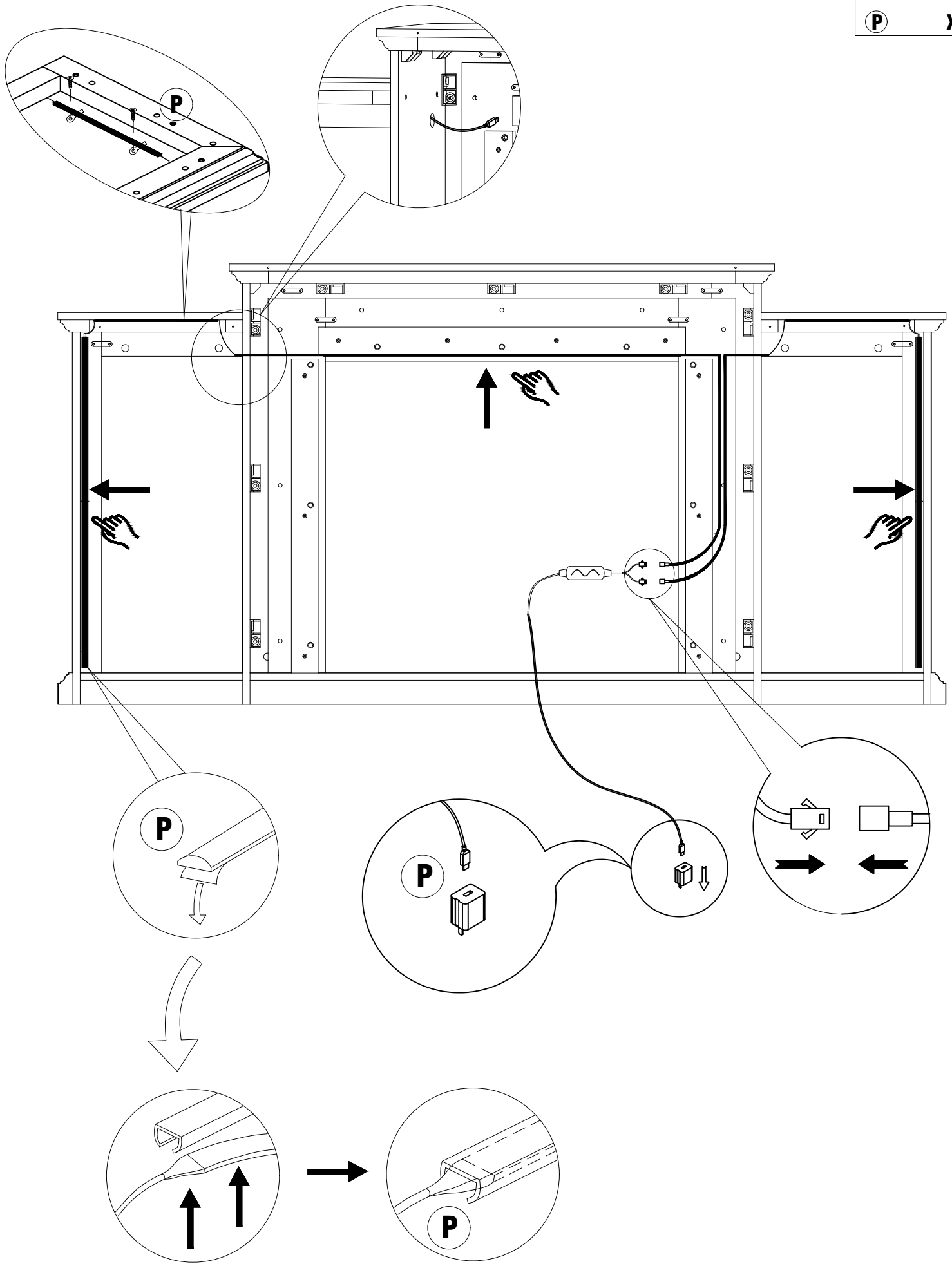
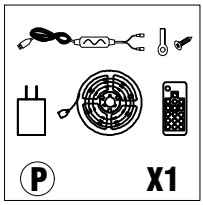
					
<b>A</b>	<b>X4</b>	<b>K</b>	<b>X6</b>	<b>N</b>	<b>X10</b>




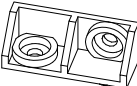
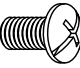


# STEP 23

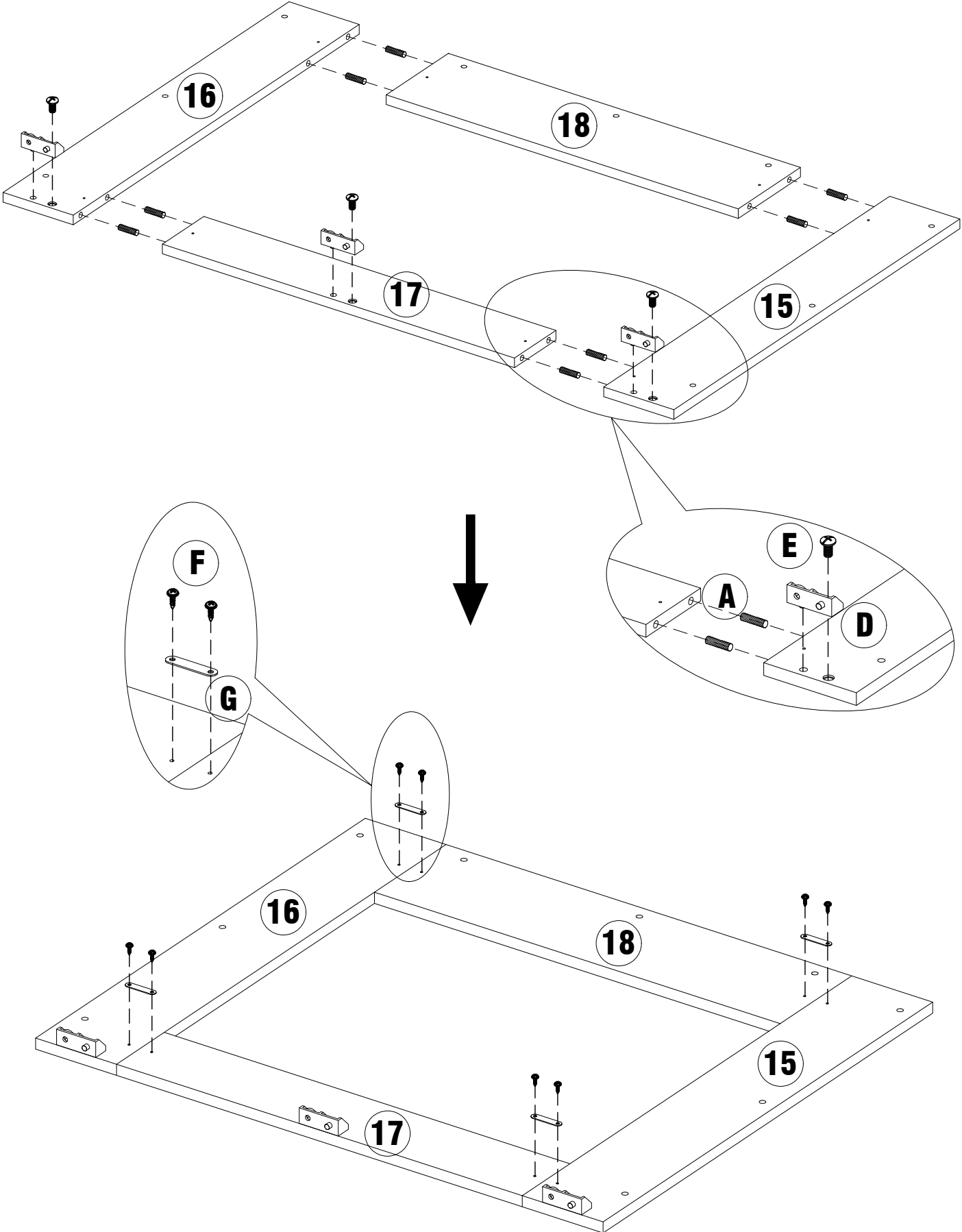


# STEP 24

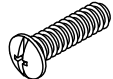
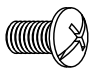


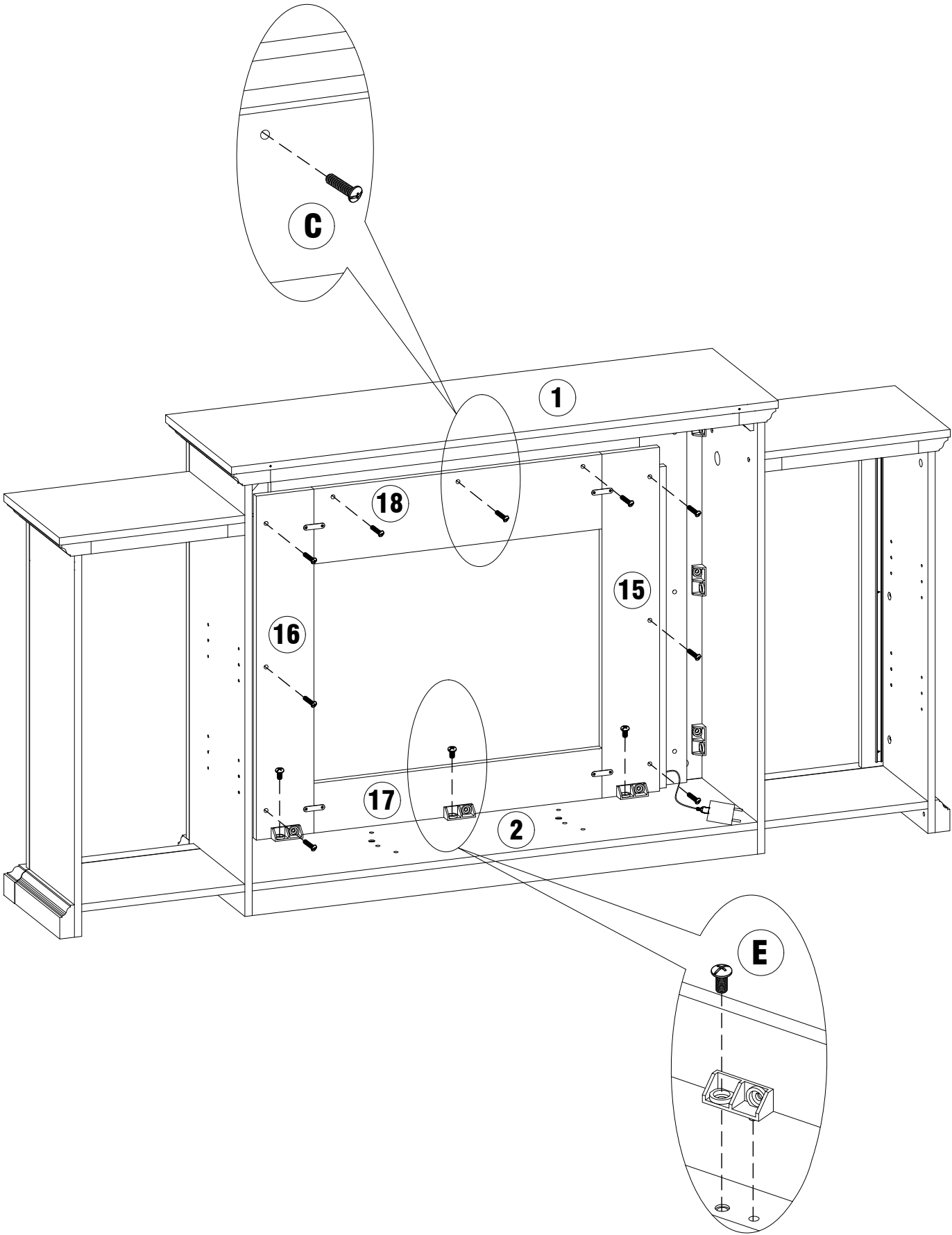
# STEP 25

				
<b>A</b> X8	<b>D</b> X3	<b>E</b> X3	<b>F</b> X8	<b>G</b> X4

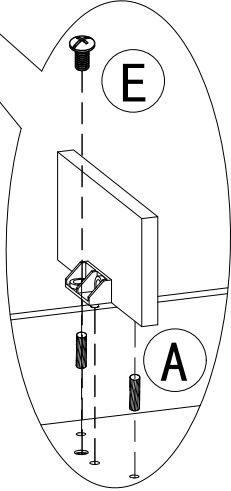
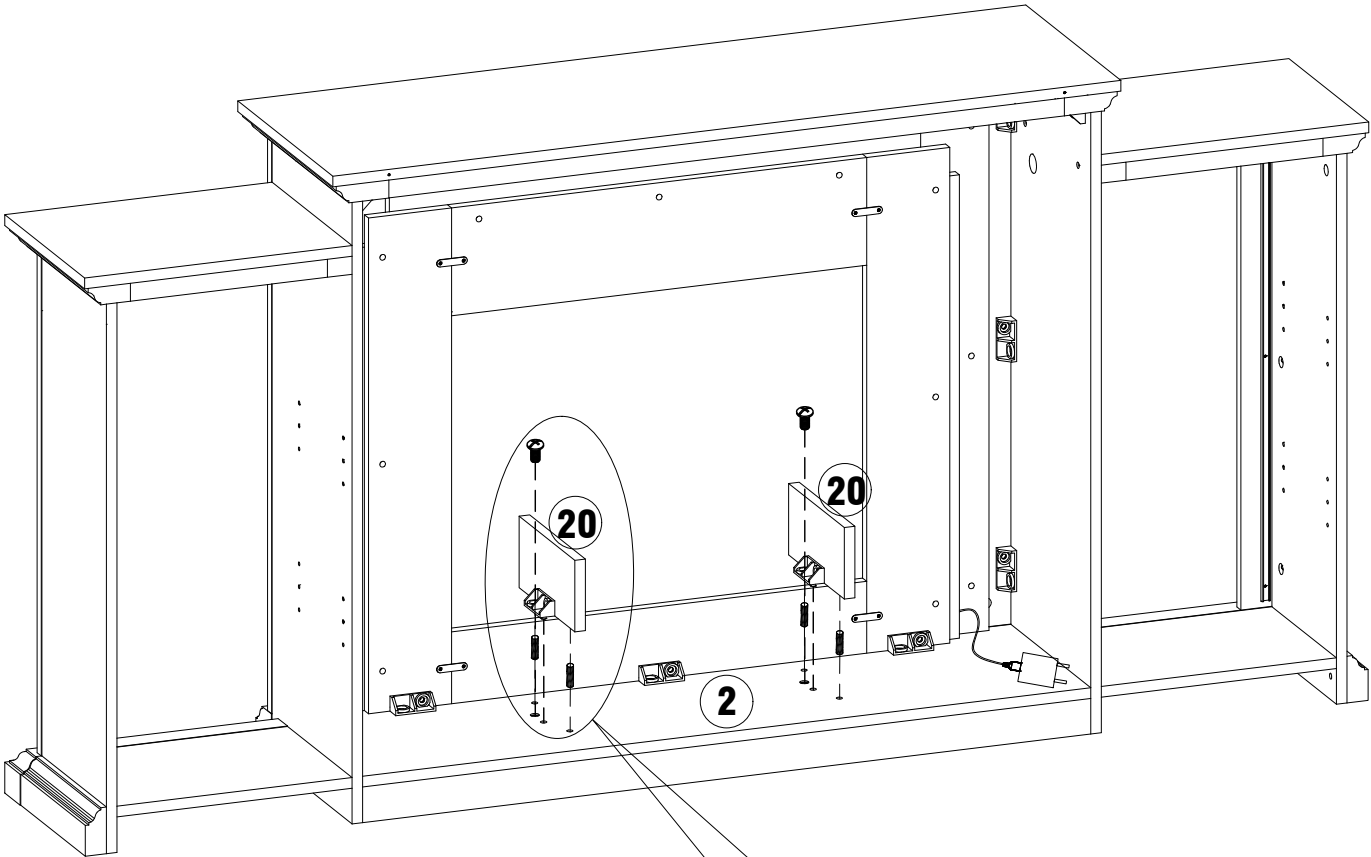
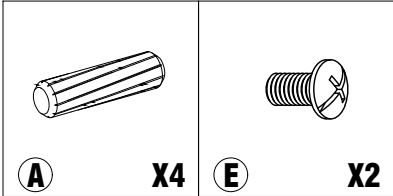


# STEP 26

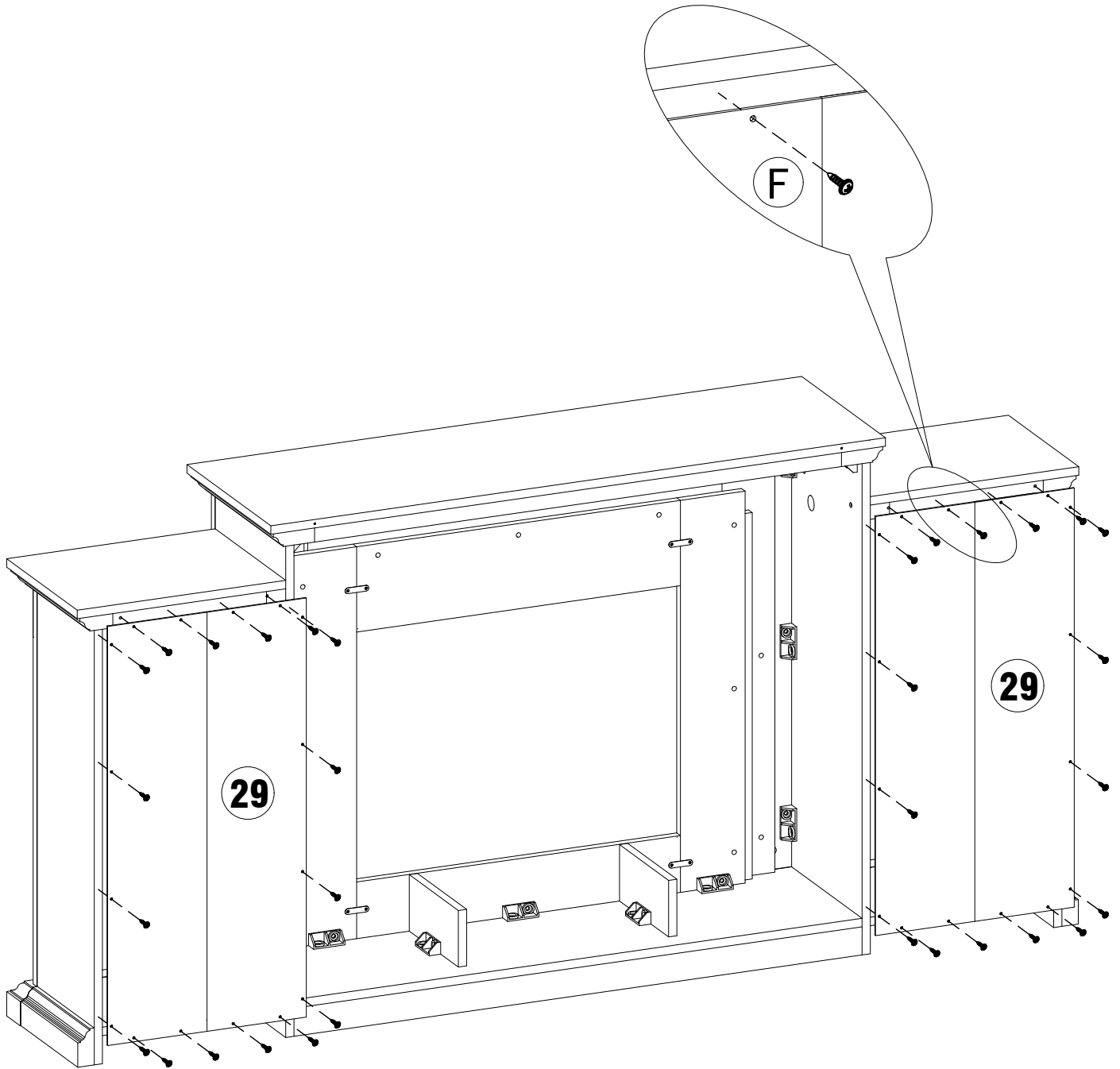
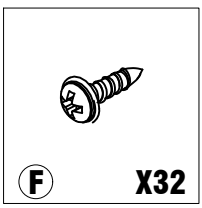
	
<b>C</b>	<b>E</b>
<b>X9</b>	<b>X3</b>



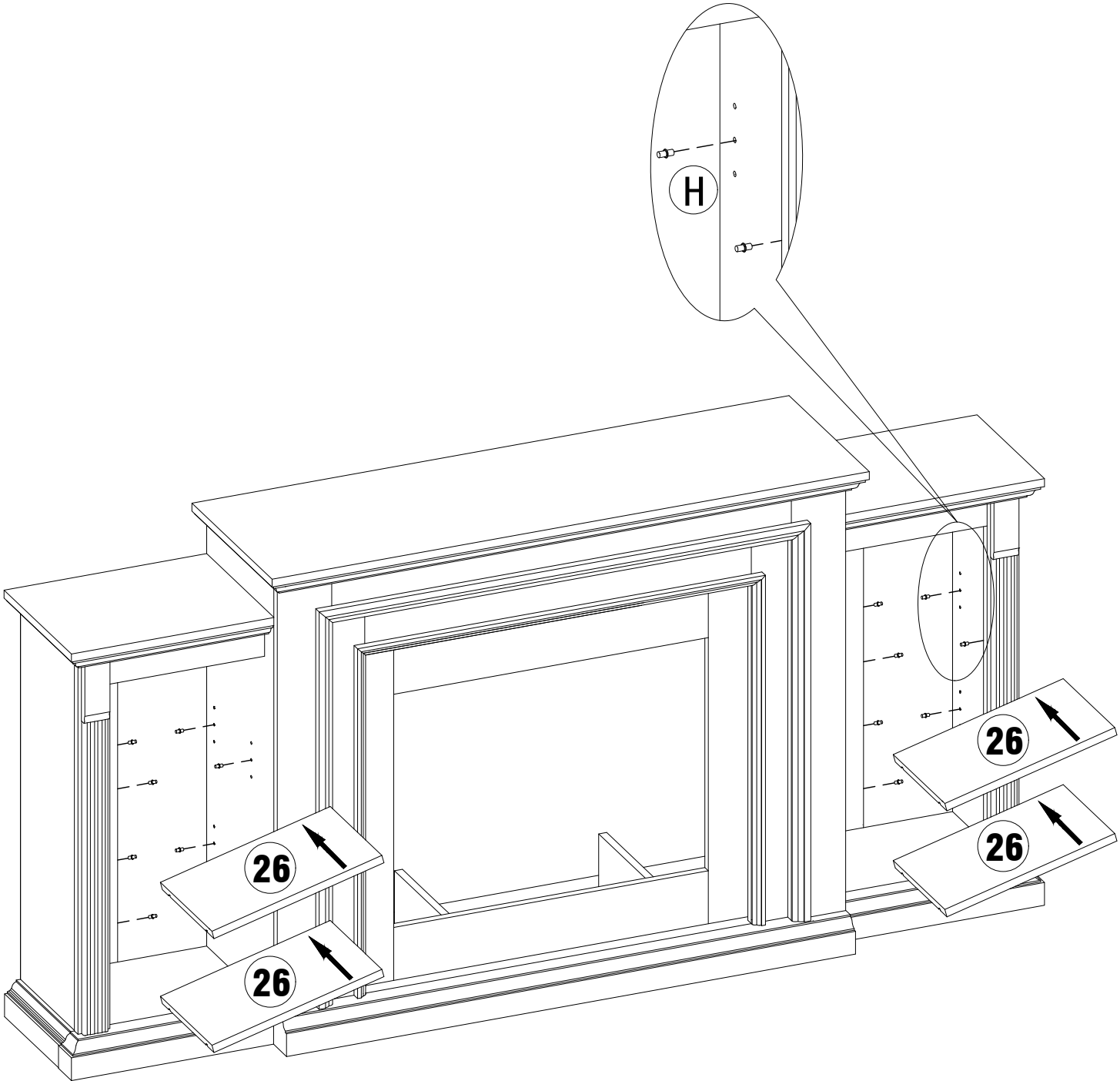
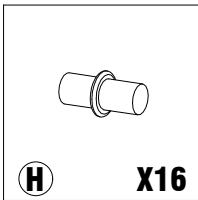
# STEP 27



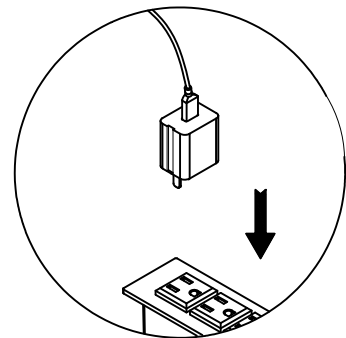
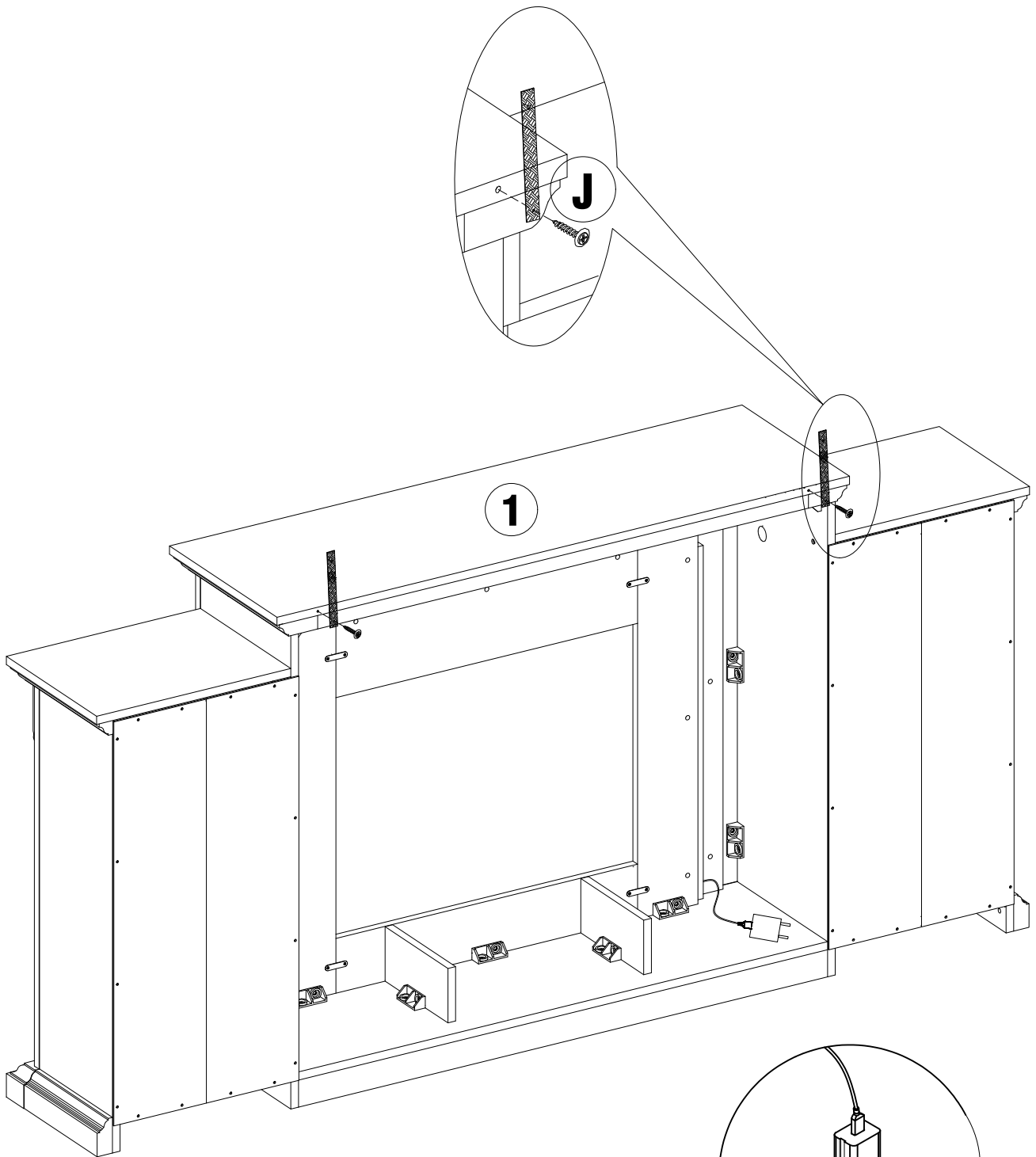
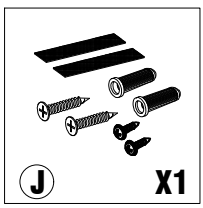
# STEP 28



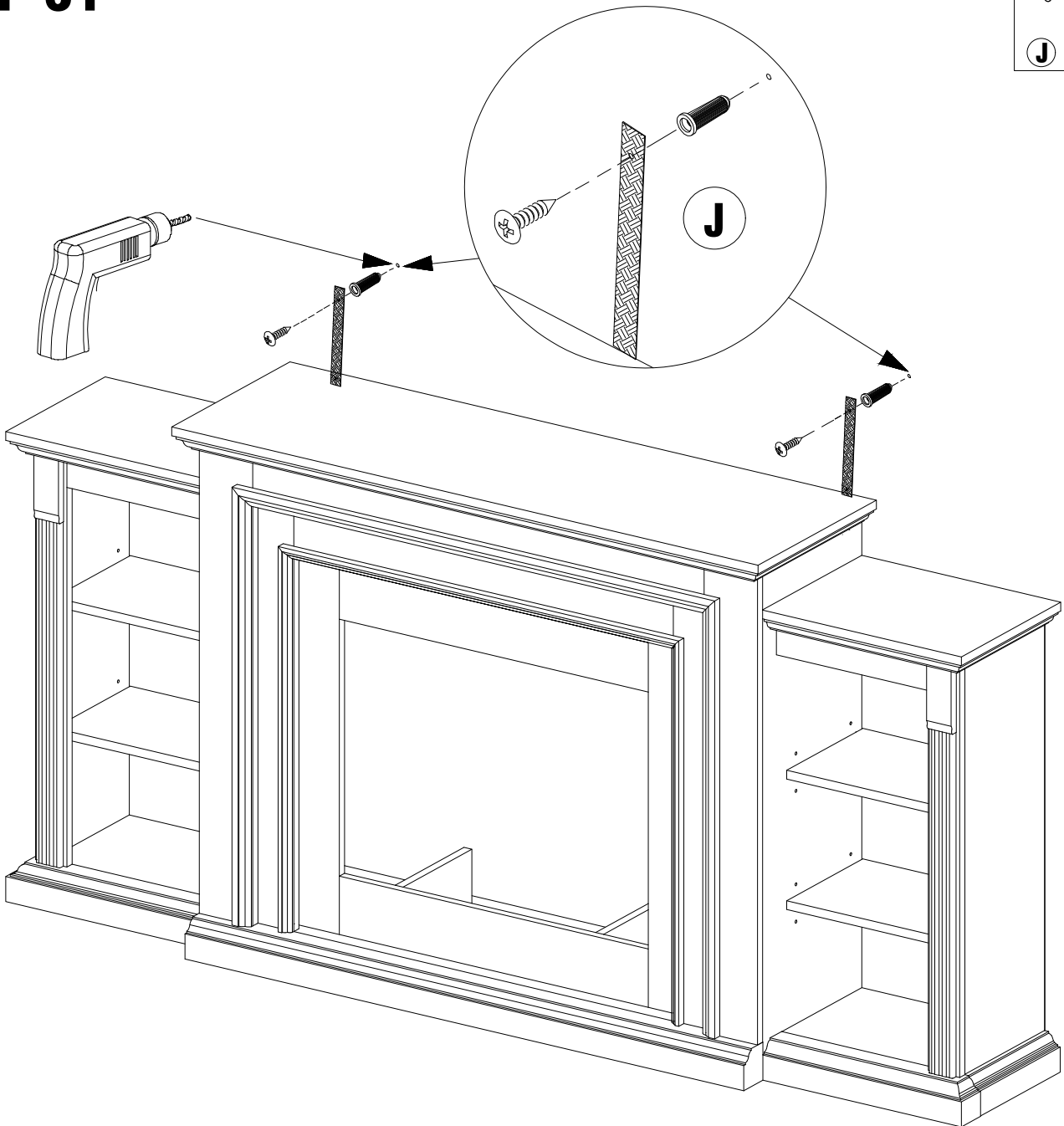
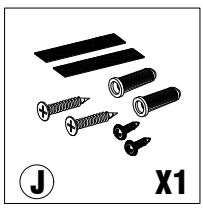
# STEP 29



# STEP 30



# STEP 31



## **⚠ WARNING**



**Children have died from furniture tipover.  
To reduce the risk of furniture tipover:**

- ALWAYS install tipover restraint provided.
- NEVER put a TV on this product.
- NEVER allow children to stand, climb or hang on drawers, doors, or shelves.
- NEVER open more than one drawer at a time.
- Place heaviest items in the lowest drawers.

*This is a permanent label.  
Do not remove!*