



## Designer Collection Tubs

### Parisian® 1

MODEL #: 146  
66" x 35.75" x 23"

#### GENERAL SPECIFICATIONS

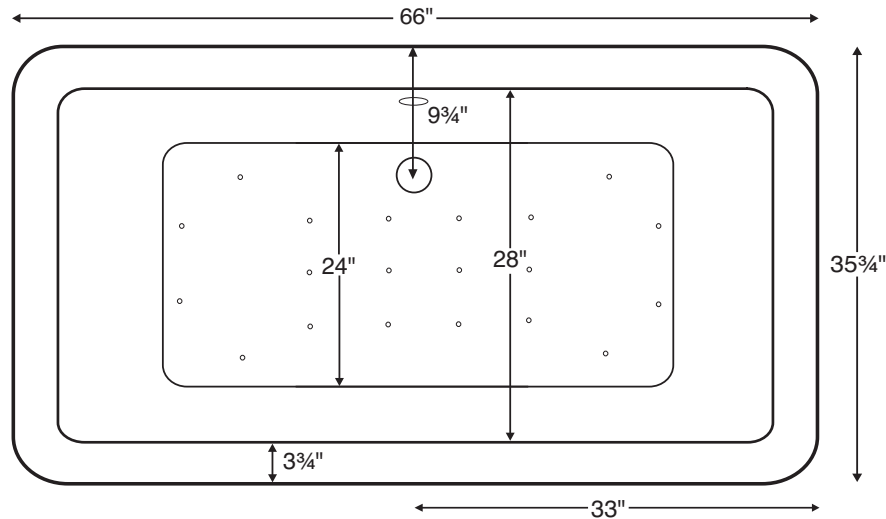
**Material** - Acrylic

**Installation** - Freestanding

**Soaker Weight** - 280 lbs / 127 kg

**Maximum Fill** - 87 gal to overflow

*NOTE: Filling this tub to the maximum may require an above average size or dedicated water heater.*

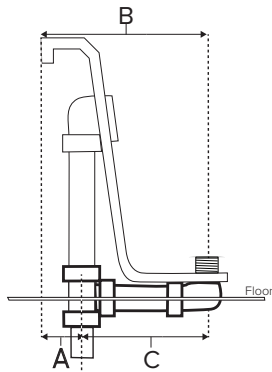


#### IMPORTANT:

Must have access to the drain from underneath the tub for installation and servicing.

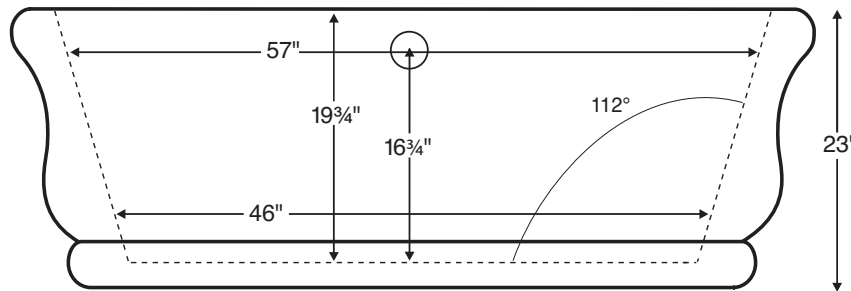
Drain Rough-In Measurements

A	B	C
4 3/4"	9 3/4"	5"



Requires use of a wall-mounted or freestanding tub filler.

Shown with Air Massage Package.



#### ELECTRICAL COMPONENTS & SPECIFICATIONS

Required Electrical Service - 110 Volt

Hydrotherapy Package	Components Included	GFCI
Air Massage	heated blower	1-15 amp
Air Massage Elite	heated blower, chromatherapy	1-15 amp

Electrical requirements may change with the addition of optional therapy components.  
See specific option details or installation information.  
CSA Certified C/US; ANSI Z124.1 and ANSI 112.19.7

See the Installation & Operation Manual for more details.  
MTI's Customer Service: Monday-Friday 8am-6pm EST  
**800-783-8827** or [service@mtibaths.com](mailto:service@mtibaths.com)

#### IMPORTANT ORDERING & INSTALLATION INFORMATION:

- Before ordering or installing, please consider future access to equipment.
- No access panel. Tub features factory installed overflow with toe tap drain.
- Air baths require job site preparations for remote mounting the blower and required check valve. Check valve must be installed higher than the rim of the tub.
- Hydrotherapy equipment may ship loose for remote installation depending on tub model. See package content on the following page for details.
- Radiance placed on floor locations will affect placement of air jets.
- Faucet valves cannot be installed on this tub model.

- Before discarding tub crate, check for accessories that may be packaged inside.
- All product measurements are  $\pm 1/2"$ .
- Specifications and configurations are subject to change without notice.
- Measurements herein supersede all others published prior to publication date below.

