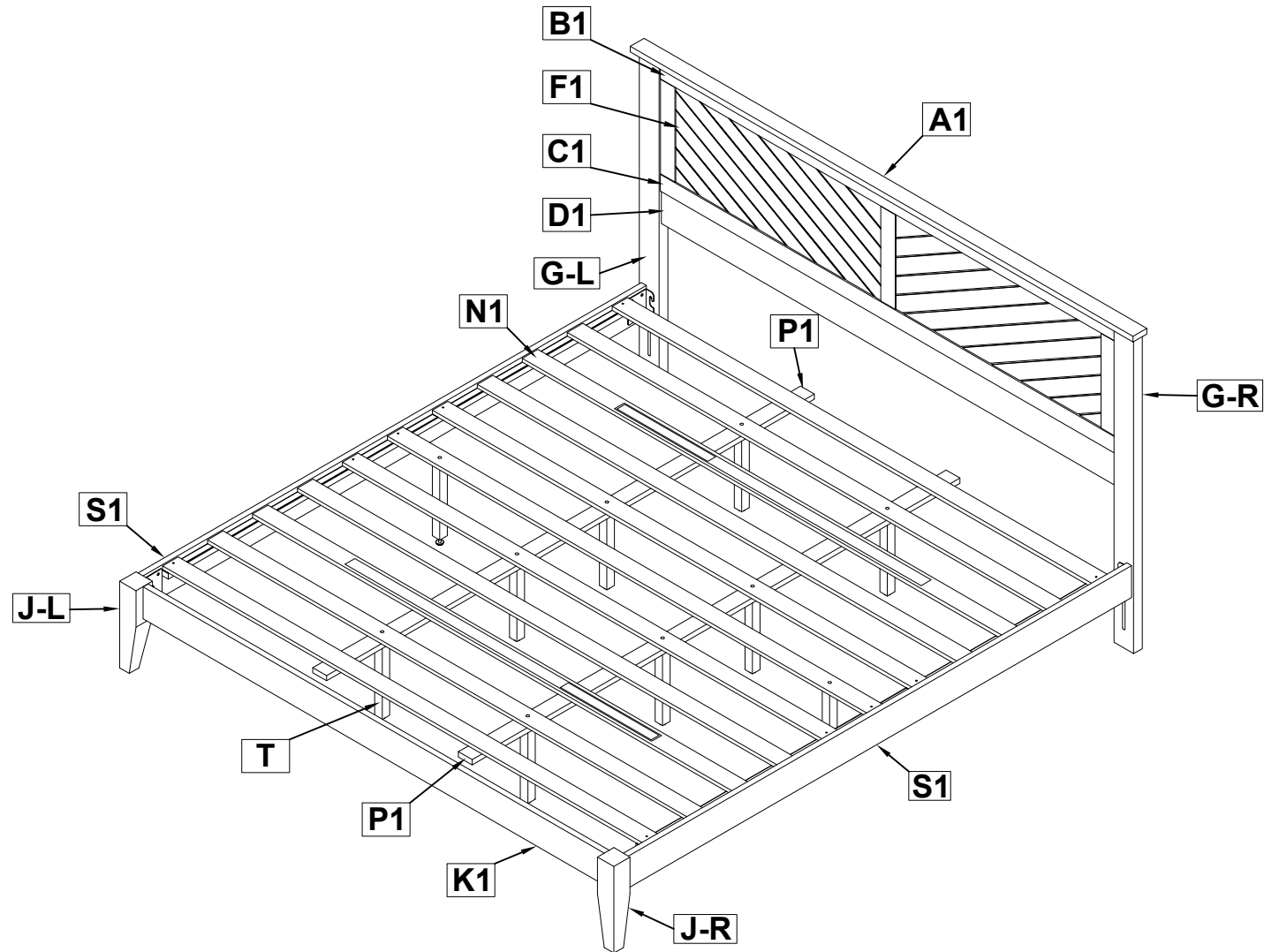


ASSEMBLY INSTRUCTIONS:

KING BED



KING BED

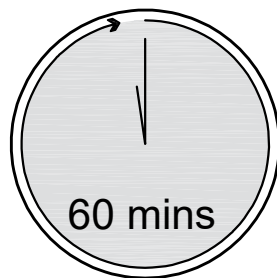
ASSEMBLY INSTRUCTIONS

Read these instructions carefully and keep for future reference. Refer to parts inventory for guidance, and ensure you have all pieces before starting.

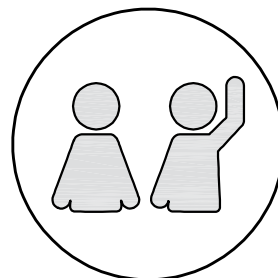
When assembling, place all parts on a soft, clean, and flat surface such as a carpet to prevent scratches.

Attention : Veuillez Lire Toutes Les Instructions Avant De Commencer L'assemblage De Ce Produit. Les Pièces Sont Lourdes. Pour Éviter Toute Blessure Et Pour Vous Assurer Que Le Produit N'est Pas Endommagé Pendant L'assemblage, Nous Vous Recommandons De Faire Appel À Une Ou Plusieurs Autres Personnes.

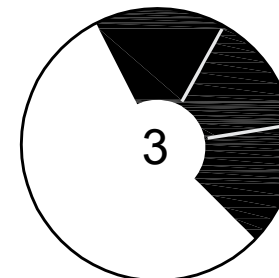
Cuidado: Favor De Leer Todas Las Instrucciones Antes De Ensamblar Su Producto. Estas Piezas Son Pesadas. Para Prevenir Heridas Personales Y Asegurar Que Su Producto No Sea Dañado Mientras Es Ensamblado, Se Recomienda La Asistencia De Una O Más Personas.



TIME



OF PEOPLE



DIFFICULTY

Important: Use hand tools for assembly. Power tools can lead to over-tightening and damage.

KING BED

Parts List

CODE	DESCRIPTION	QTY	CODE	DESCRIPTION	QTY
A1	Headboard Top	1 pc	K1	Footboard	1 pc
B1	Crossbar Top	1 pc	S1	Side Rails	2 pcs
F1	Headboard	1 pc	J-L	Left Leg	1 pc
C1	Crossbar	1 pc	J-R	Right Leg	1 pc
D1	Crossbar Bottom	1 pc	P1	Middle Cross Slats	2 pcs
G-R	Right Leg	1 pc	N1	Slats	1 rolls
G-L	Left Leg	1 pc	T	Support Legs	10 pcs

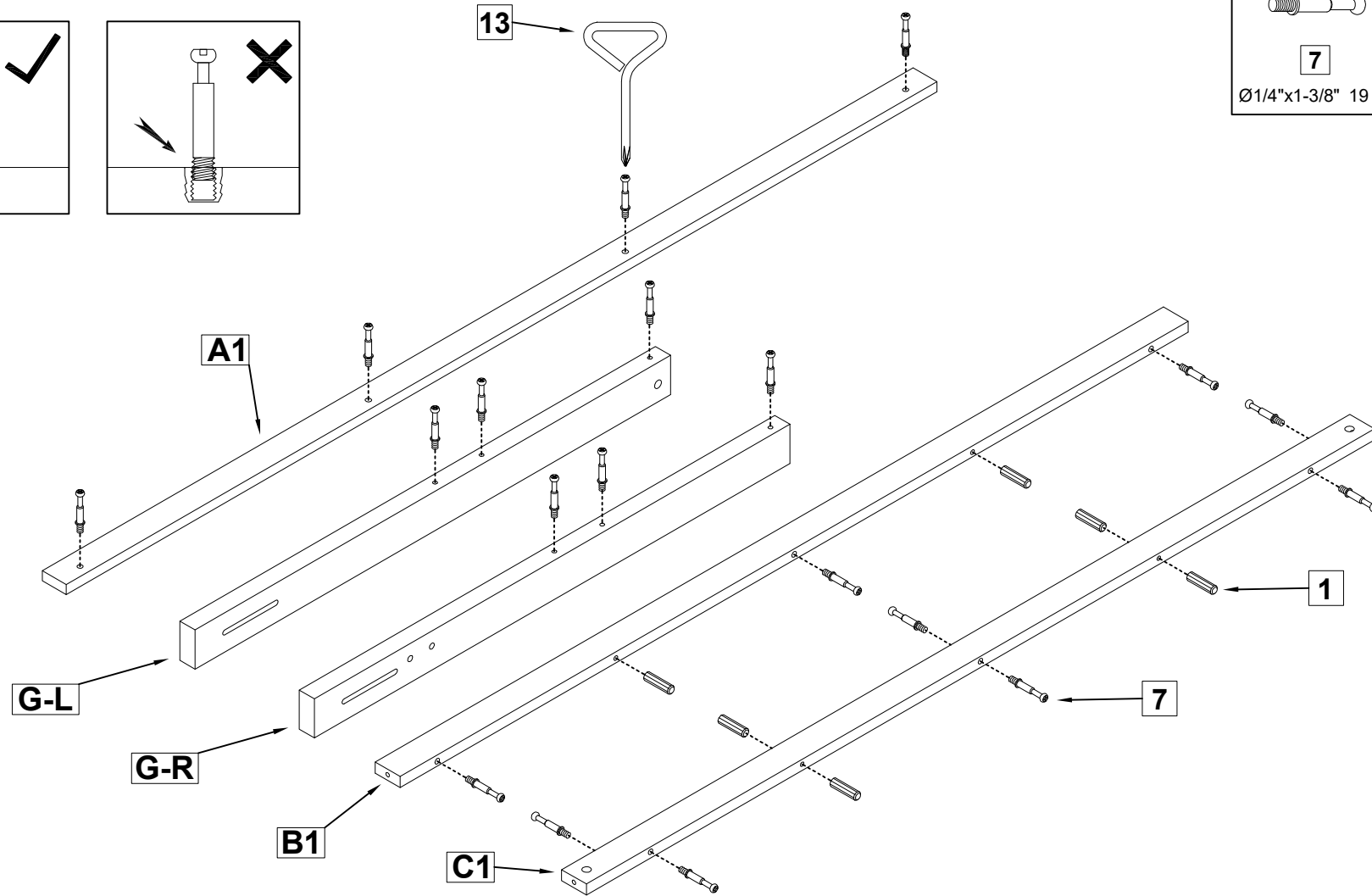
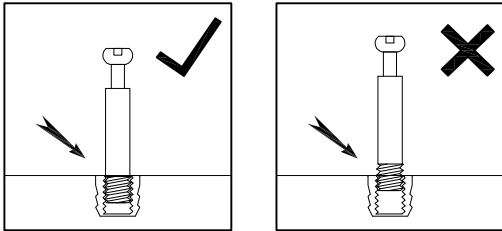
KING BED

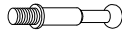

Hardware List

CODE	DESCRIPTION	QTY	CODE	DESCRIPTION	QTY
1	Dowel Ø8x1-1/8"	7 pcs	11	Wrench	1 pc
2	Dowel Ø10x1-5/8"	5 pcs	12	Allen Key	1 pc
3	Bolt Ø5/16"x2"	10 pcs	13	Philips Head Screwdriver	1 pc
4	Bolt Ø5/16"x1"	8 pcs	14	Screw #8x1-1/4"	10 pcs
5	Nut Ø5/16"	2 pcs	15	Bolt Ø5/16"x3"	2 pcs
6	Flat Head Screwdriver	1 pc	16	Curved Washer Ø5/16"	2 pcs
7	Cam Lock Bolt Ø1/4"x1-3/8"	20 pcs			
8	Cam Lock Ø15	20 pcs			
9	Spring Washer Ø5/16"	10 pcs			
10	Flat Washer Ø5/16"x3/4"	18 pcs			

KING BED

1



	
7	1
Ø1/4"x1-3/8" 19 pcs	Ø8x1-1/8" 6 pcs

KING BED

2

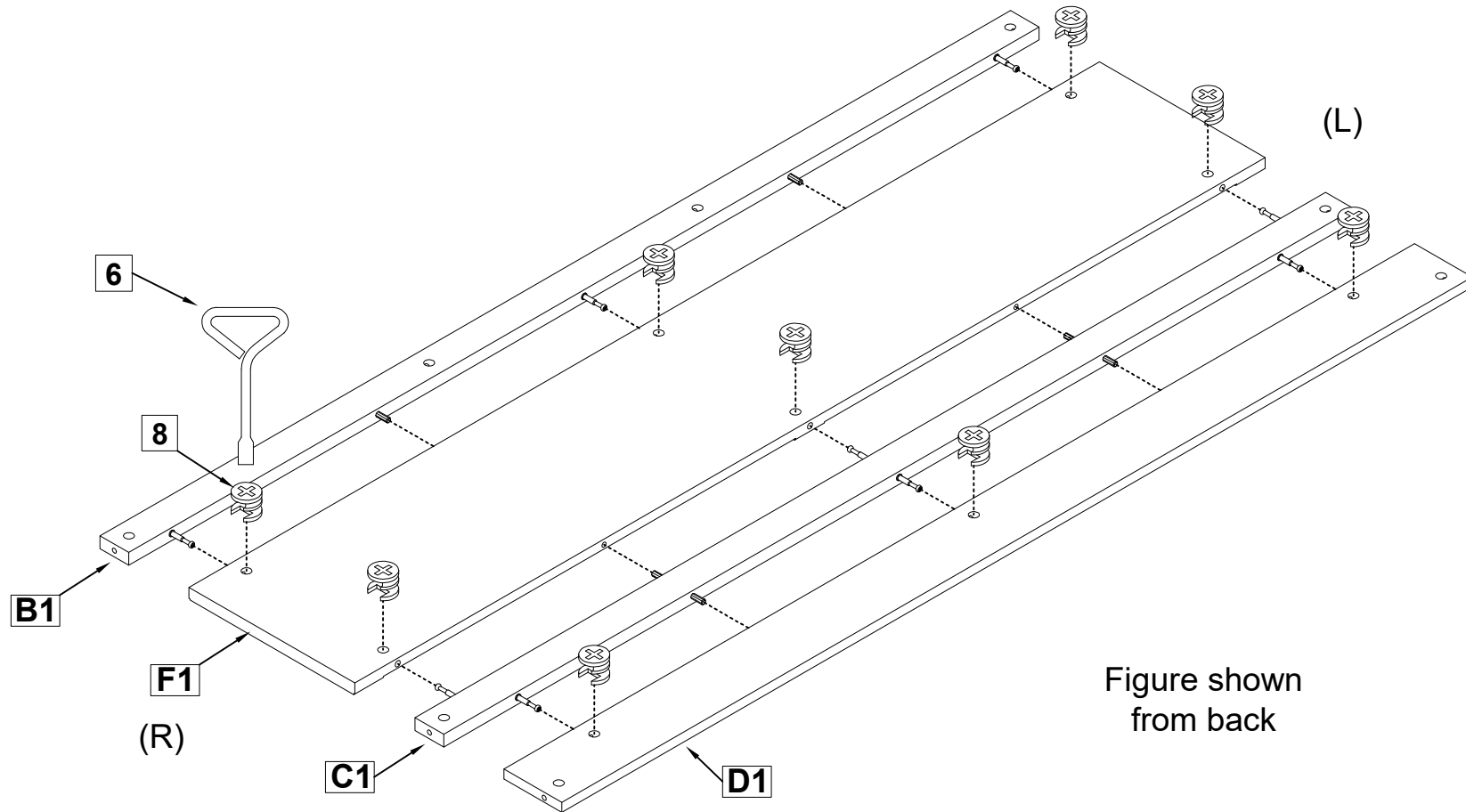
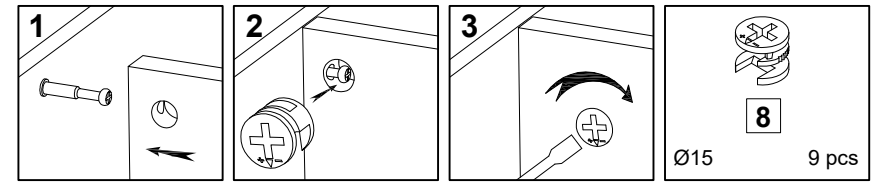
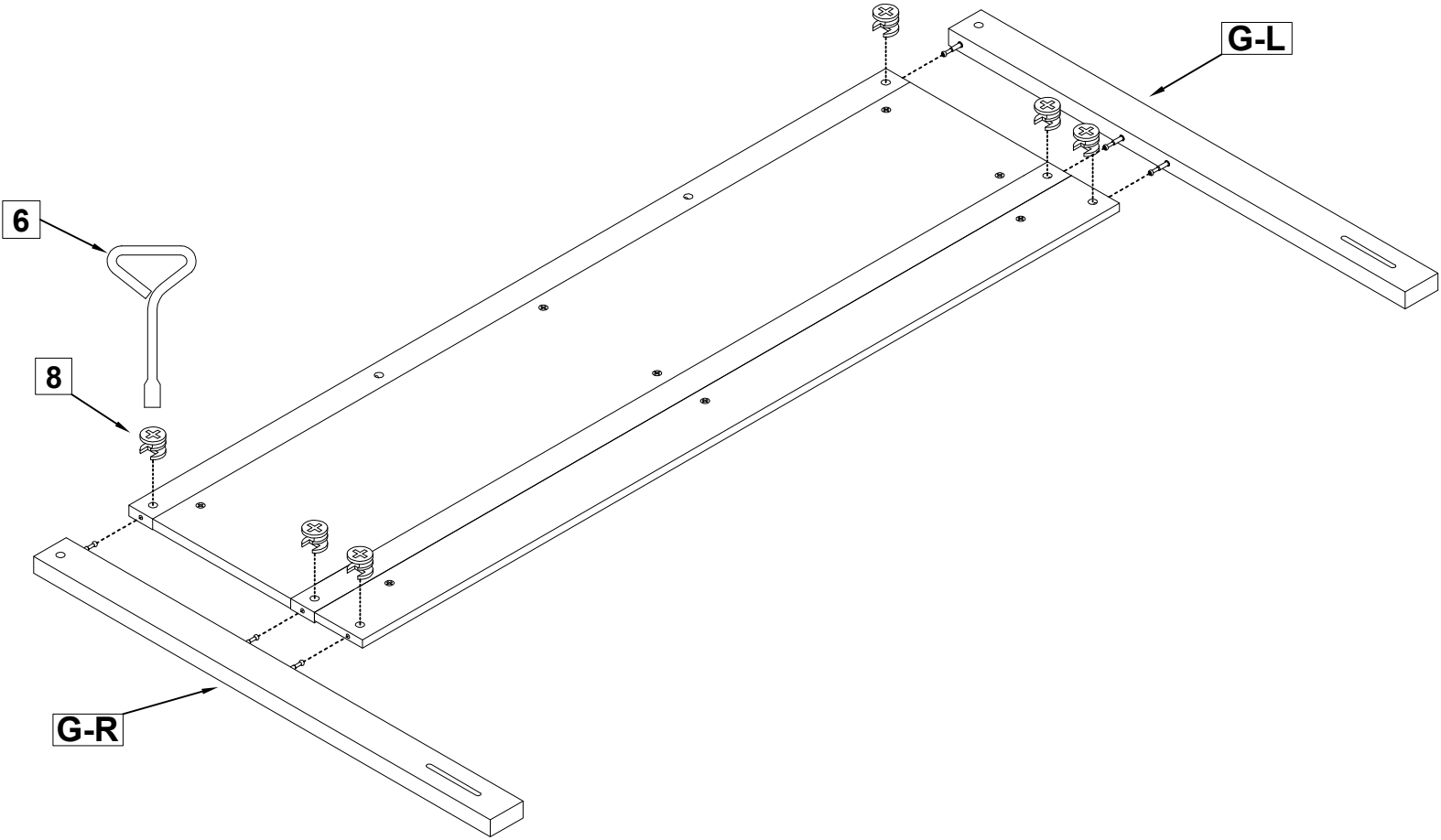
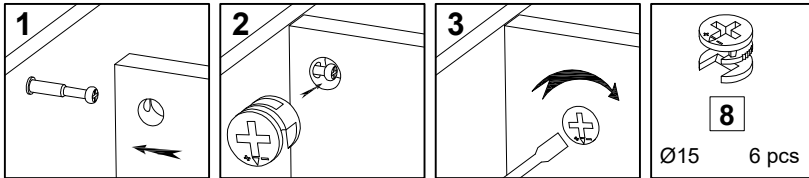


Figure shown
from back

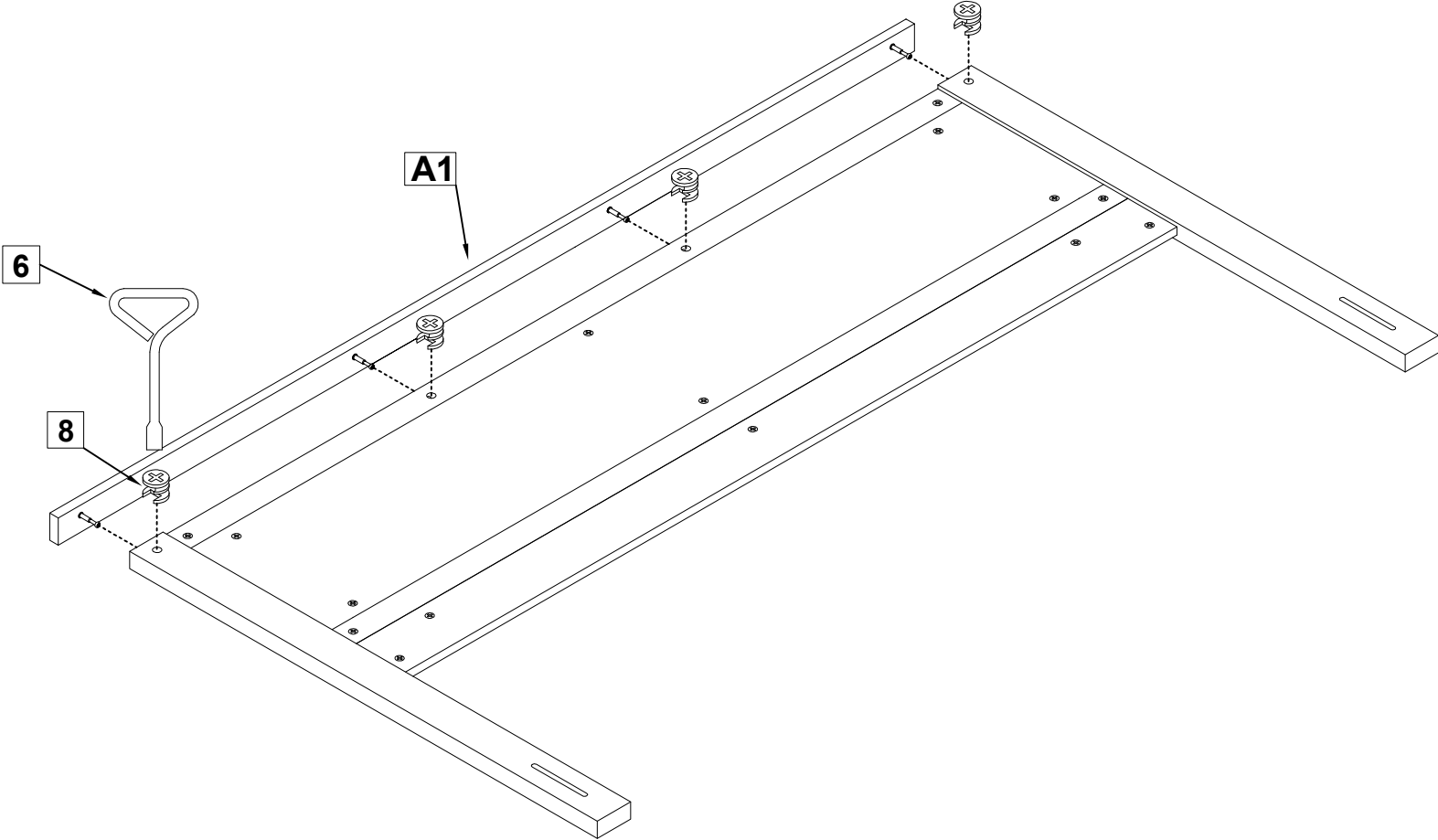
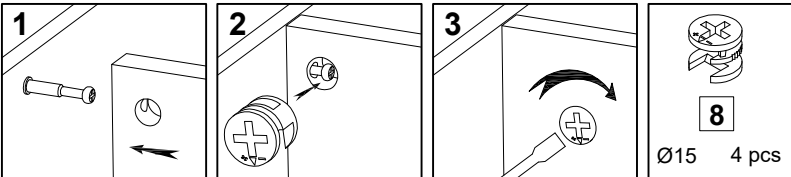
KING BED

3



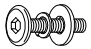
KING BED

4

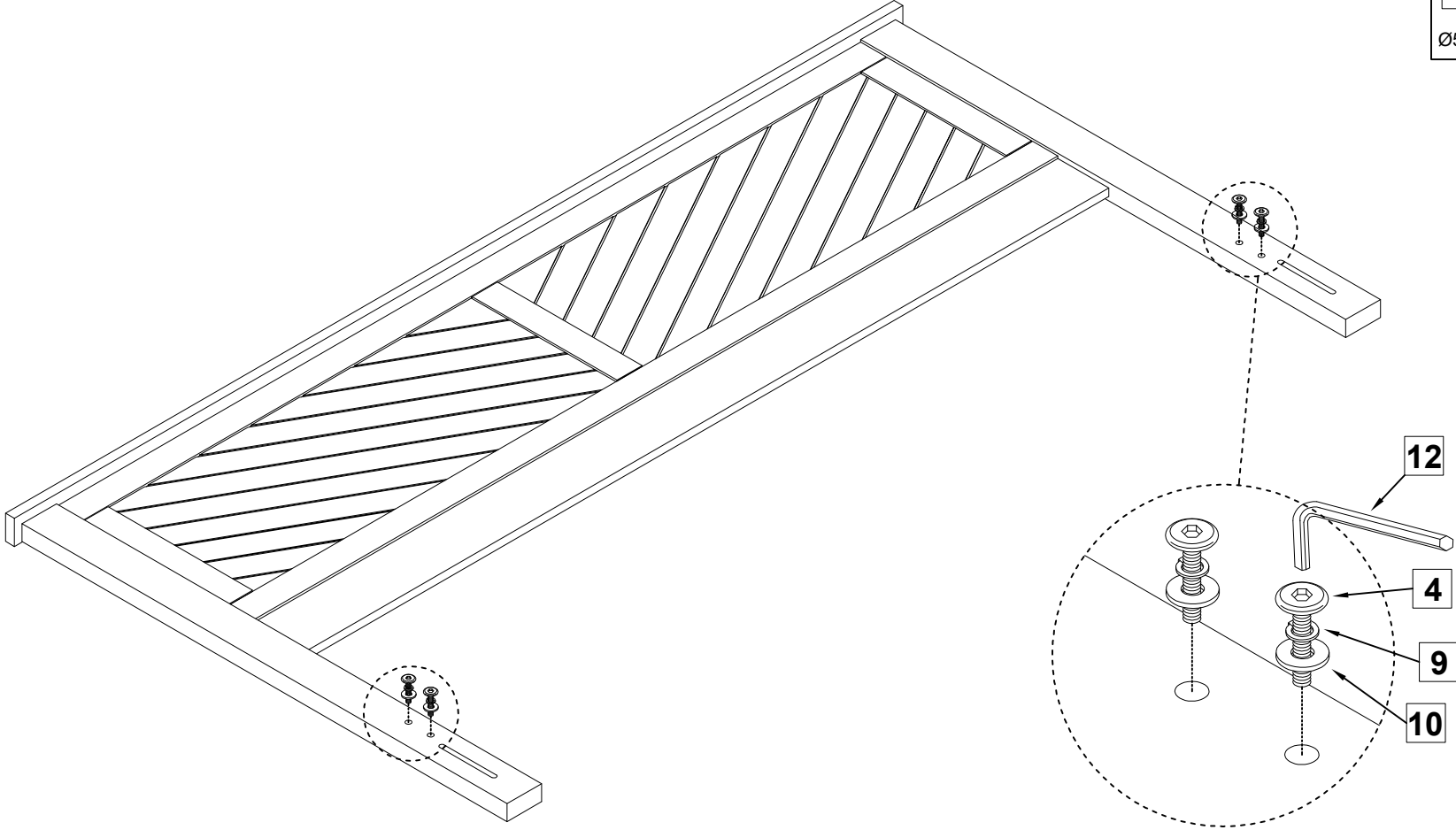


KING BED

5



4 + 9 + 10
Ø5/16"x1" 4 pcs




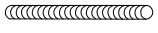




12

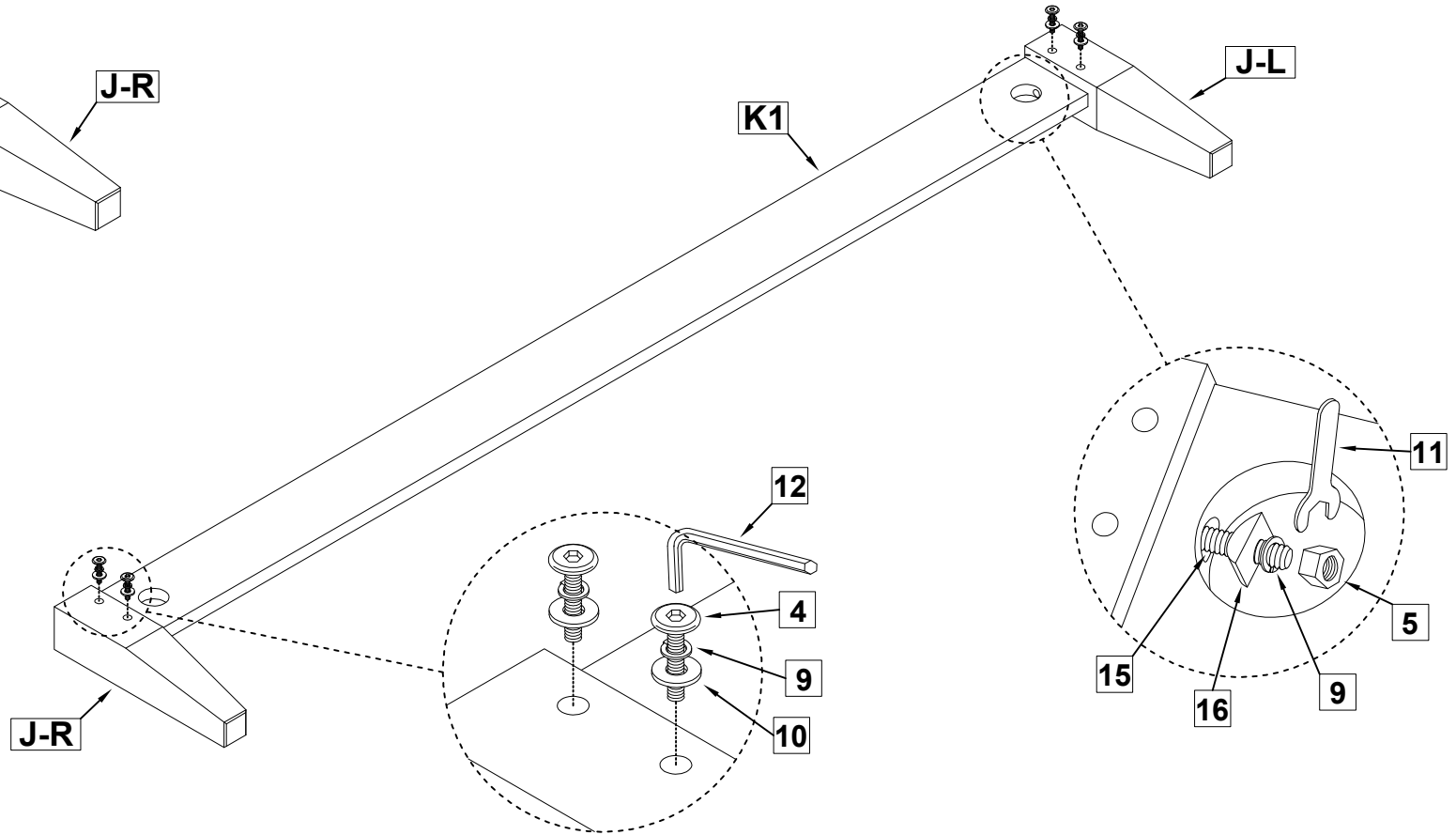
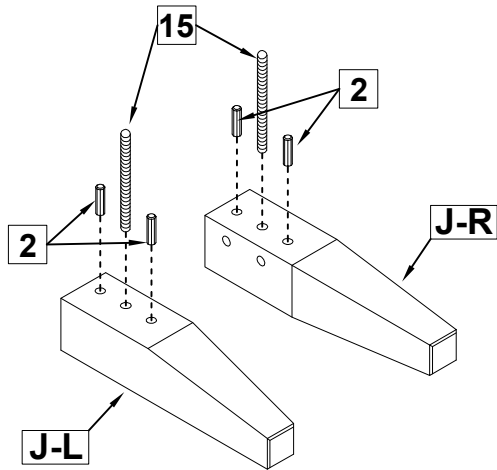
4

9

10

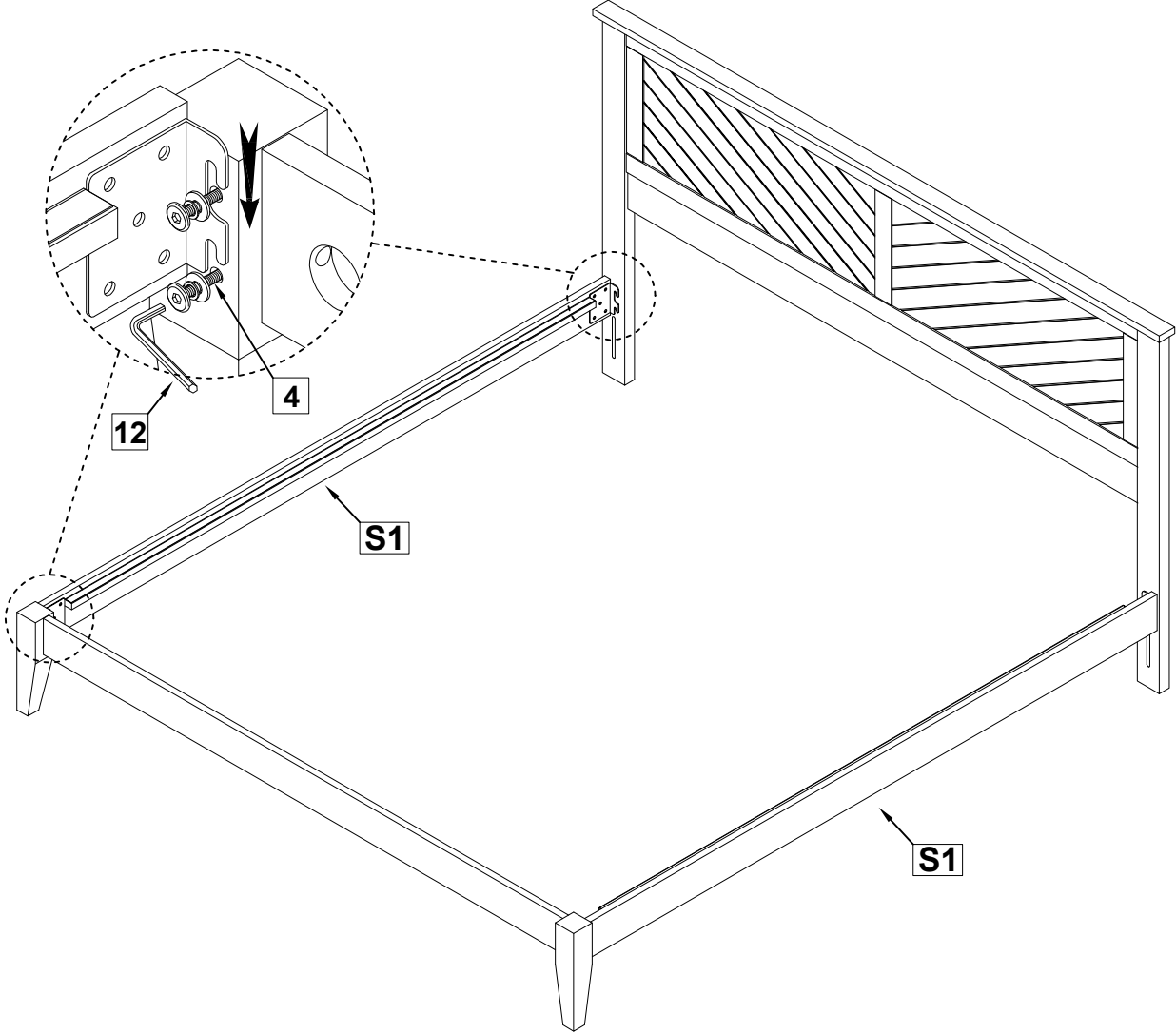
6

 2 Ø10x1-5/8" 4 pcs	 15 Ø5/16"x3" 2 pcs	 16 Ø5/16" 2 pcs	 5 Ø5/16" 2 pcs	 9 Ø5/16" 2 pcs	 4 + 9 + 10 Ø5/16"x1" 4 pcs
---	---	--	---	---	---



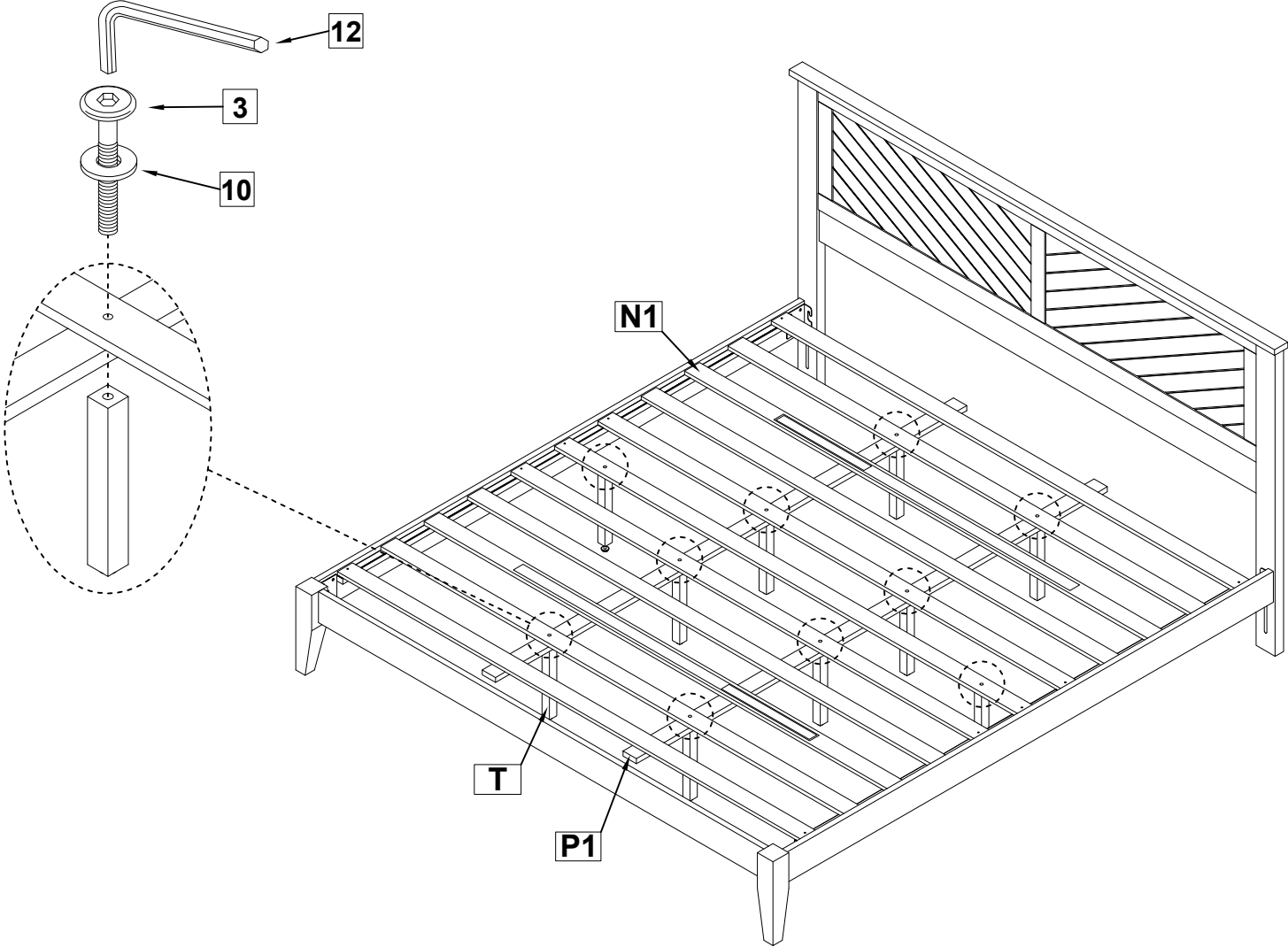
KING BED

7



KING BED

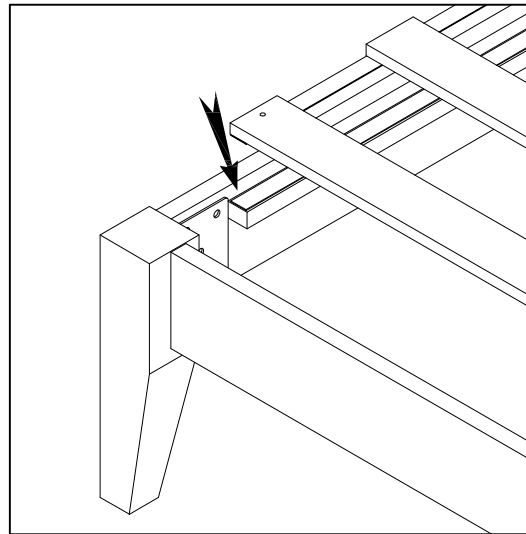
8



3 + 10
Ø5/16"x2" 10 pcs

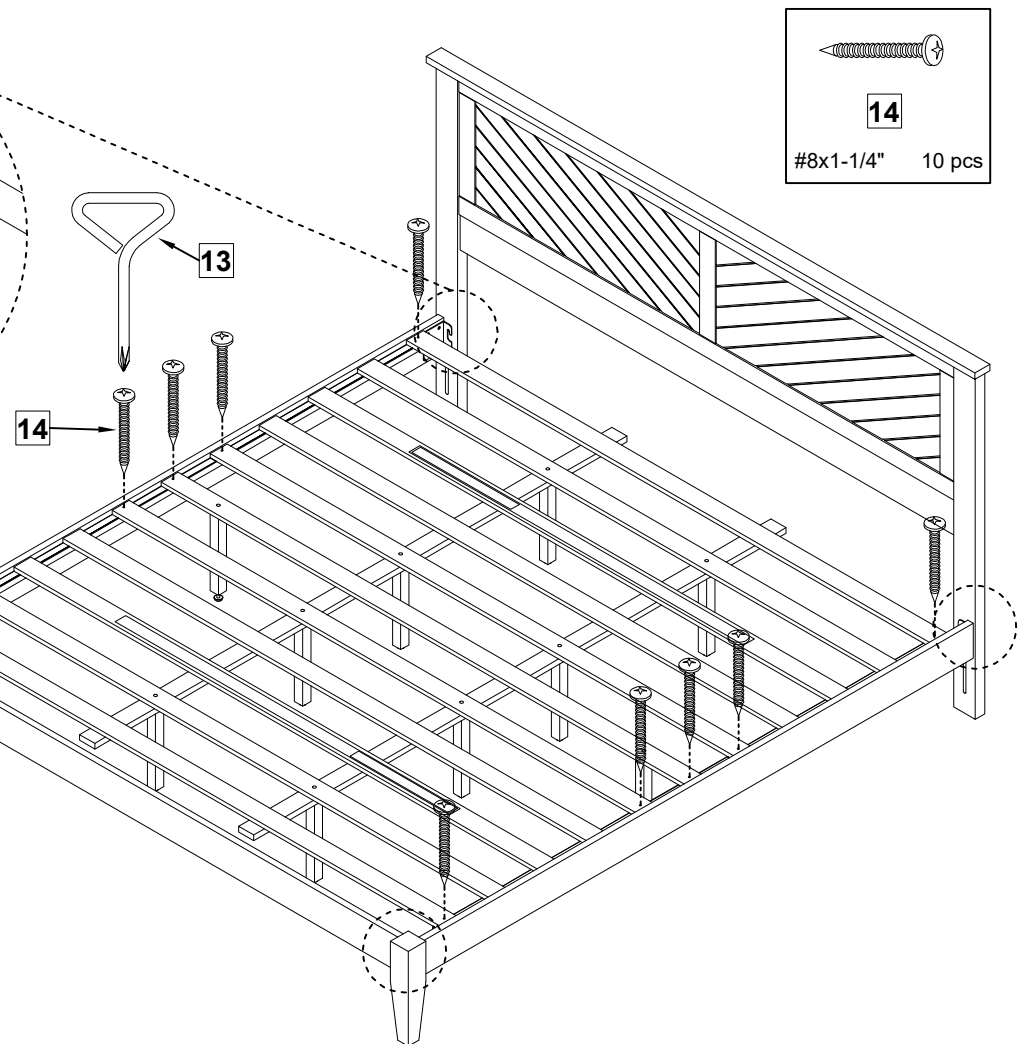
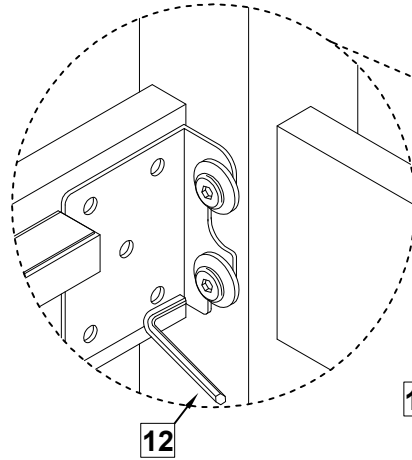
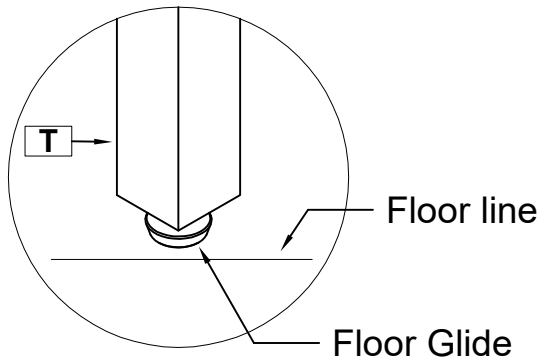
9

After the slat system is assembled, place the slats into the frame of the bed as shown, and velcro the slats to the cleat of side rail as shown below.



Velcro the ends of slat to the cleats of side rail

10



NOTE:

The center support leg glide sits approximately 1/4" off of the floor. The glide will usually touch the floor after a mattress is placed on the bedframe.

Do not place a mattress on bedframe until it is fully assembled and tightened. The bedframe should be located in your desired location. Sliding the bed with weight upon it can compromise the integrity of the center support legs.

You're all finished! Sweet dreams!