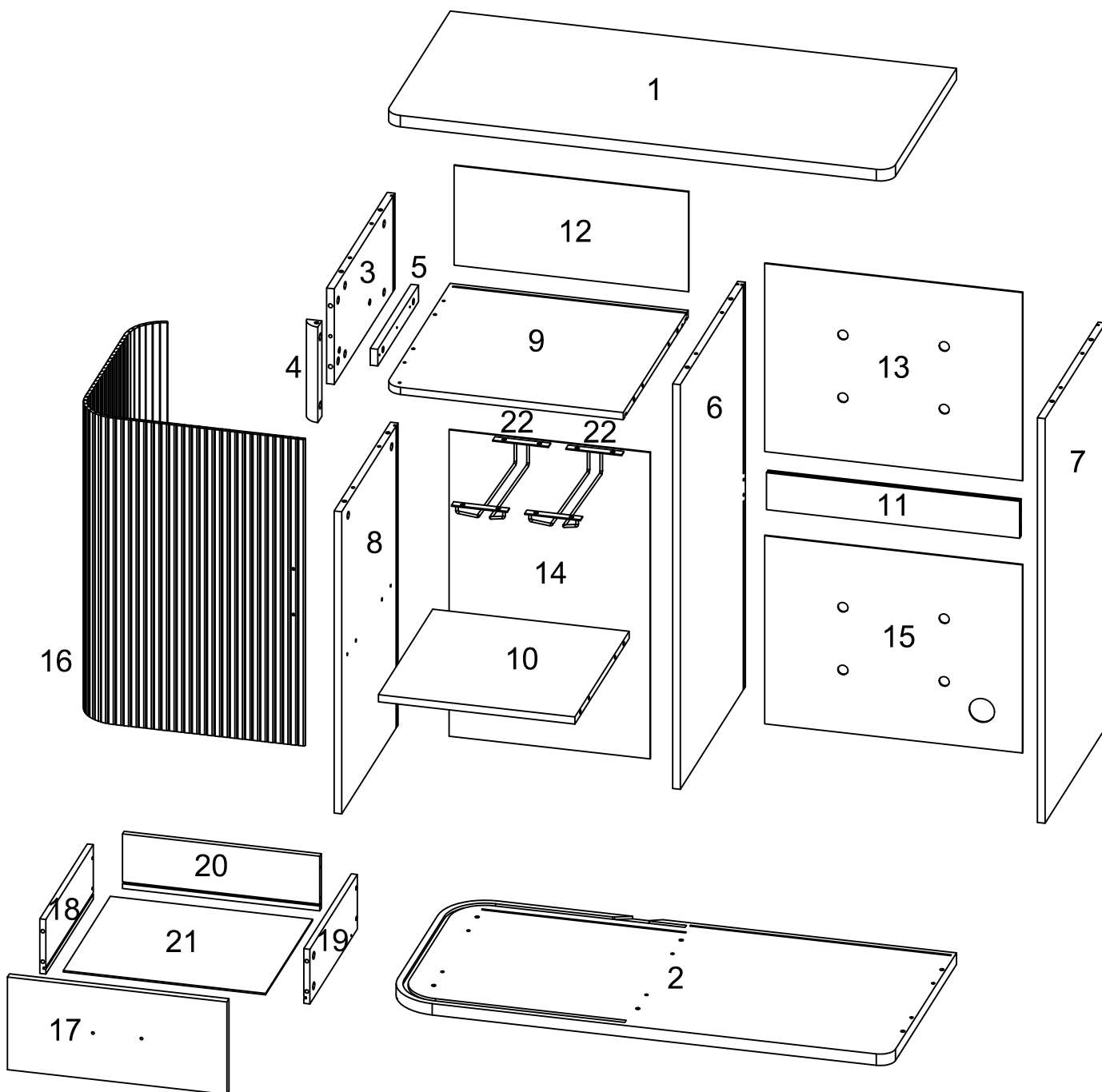
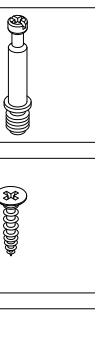


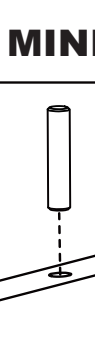


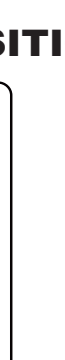

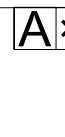
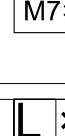
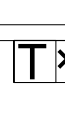
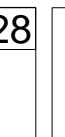

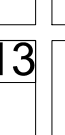

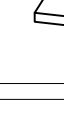
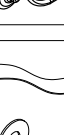

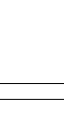
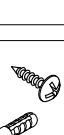
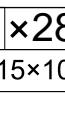
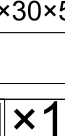
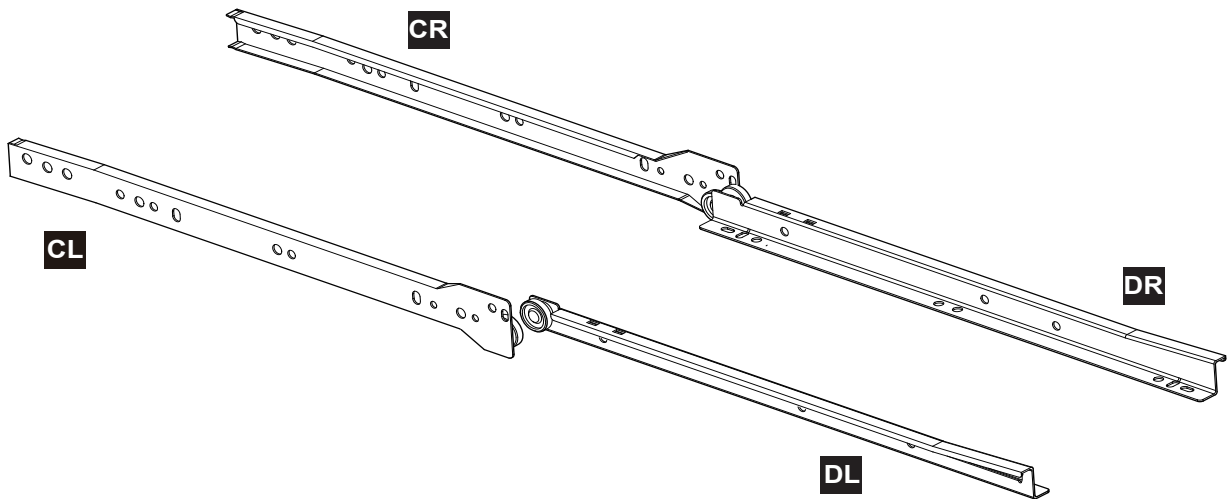


EXPLODED DRAWING

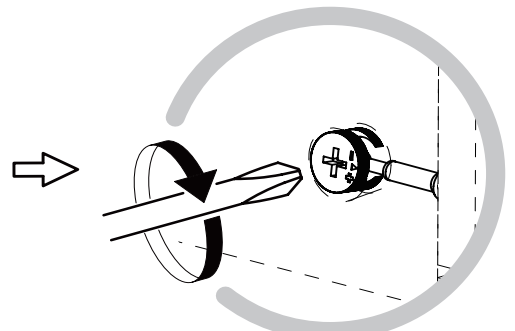
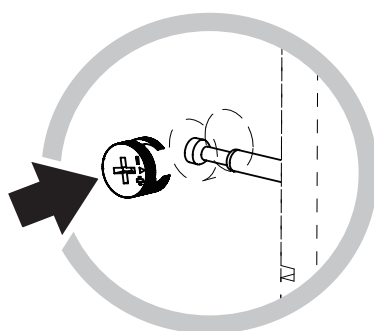
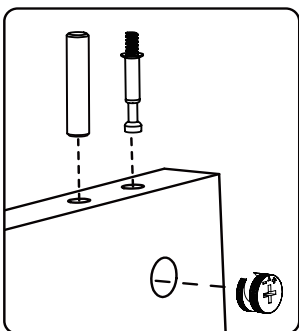


PARTS

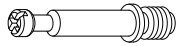

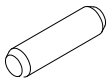


| | | | | | | |
|---|--------------------------|---|-----------------------------|--|--------------------------|--|
|  | A × 28 |  | B × 28 M15 × 10 |  | C × 23 M6 × 30 |  D × 1 350     |
|  | E × 12 M3 × 12 |  | F × 2 M6 × 20 |  | G × 8 M6 × 12 | |
|  | H × 6 M7 × 50 |  | J × 6 30 × 30 × 5 |  | K × 16 | |
|  | L × 16 M3 × 14 |  | M × 1 110 |  | N × 2 M4 × 10 | |
|  | P × 4 M4 × 35 |  | Q × 1 |  | R × 2 M4 × 20 | |
|  | T × 13 |  | U × 2 | | | |

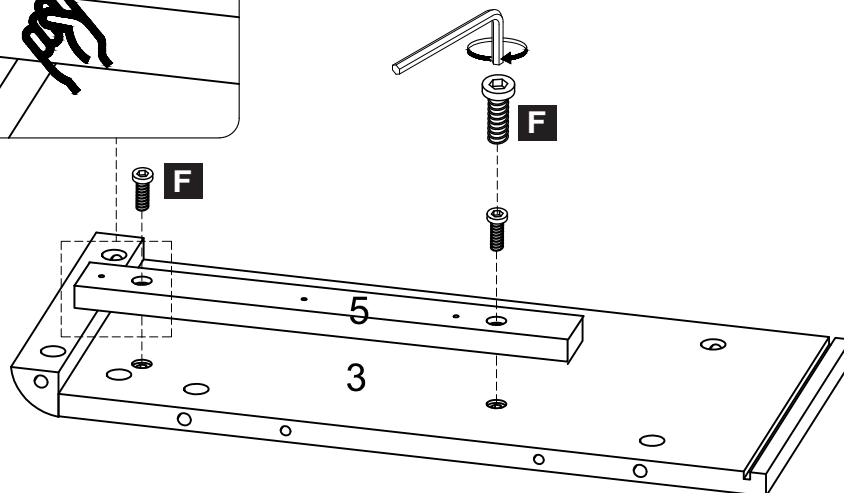
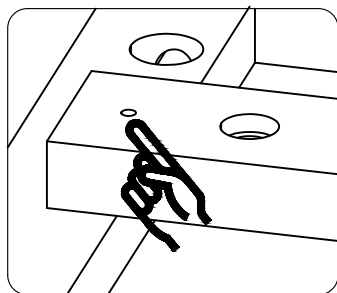
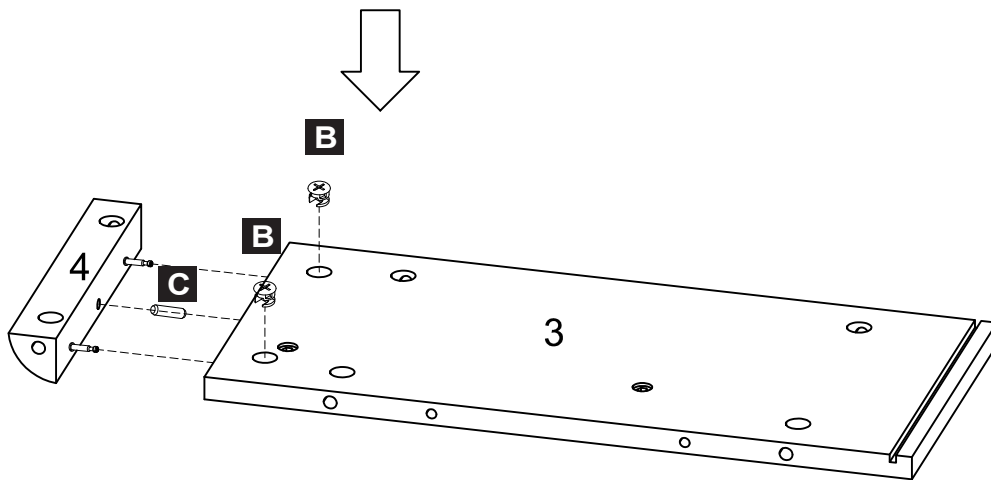
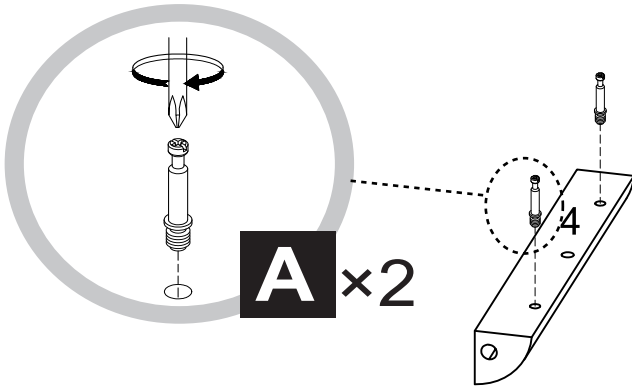


MINIFIX POSITION






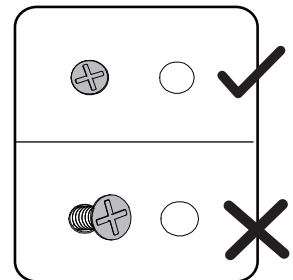
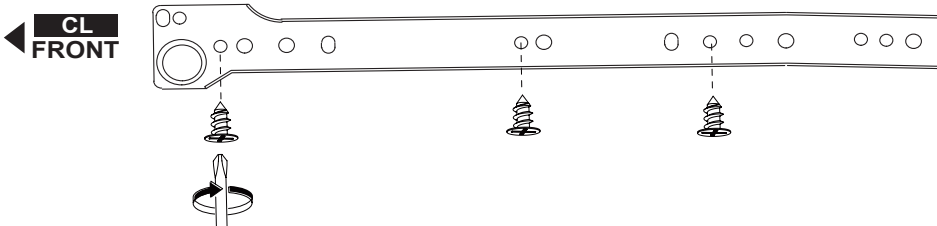
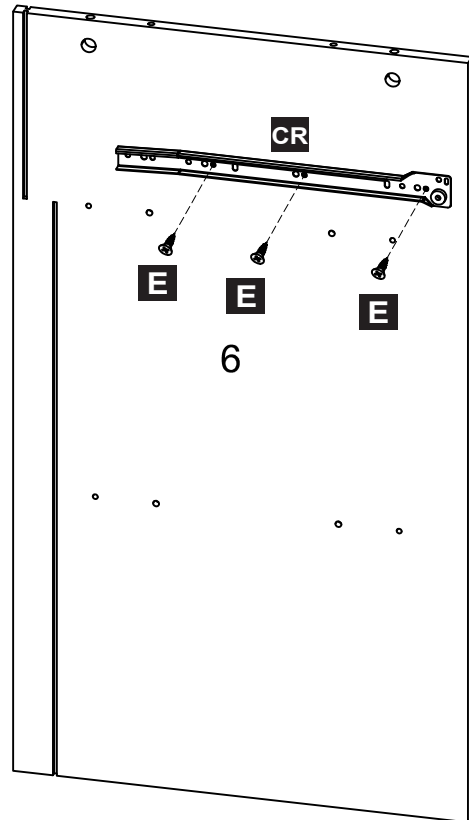
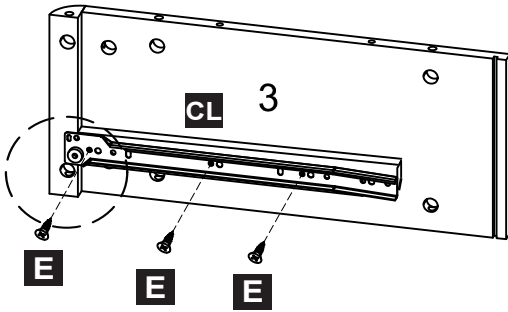
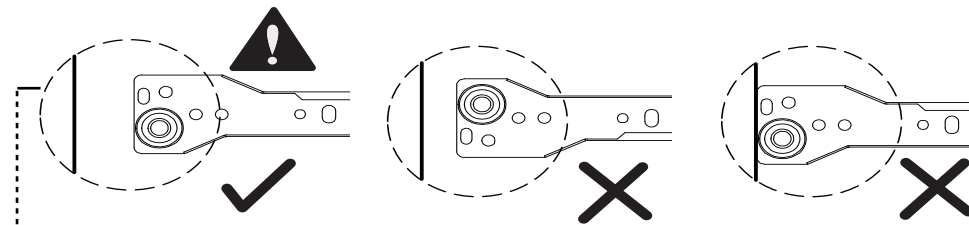
1

| | | | |
|--|-----------------------|---|------------------------|
|  | A × 2 M6×35 |  | B × 2 M15×10 |
|  | C × 1 M6×30 |  | F × 2 M6×20 |
| | |  | S × 1 M4 |

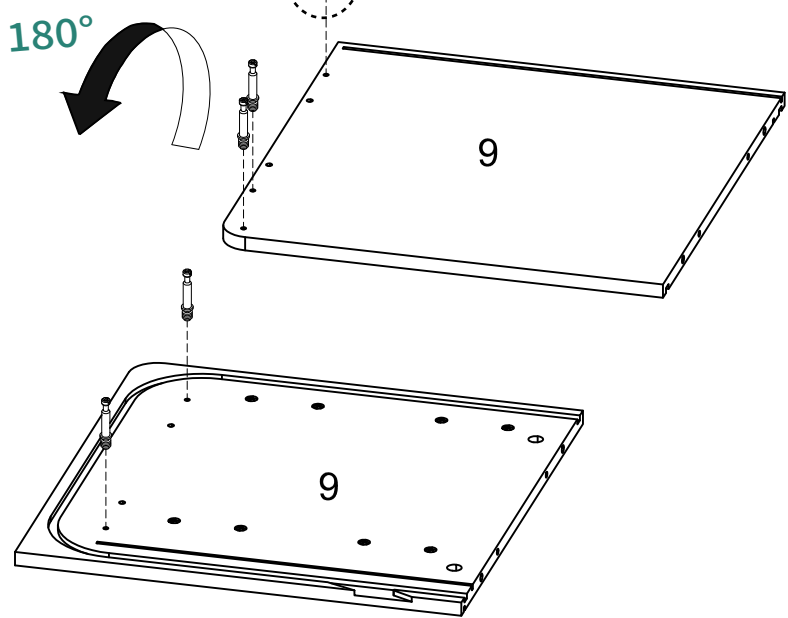
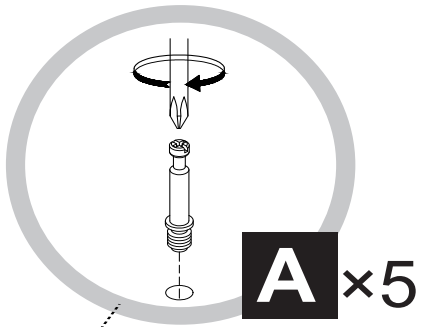
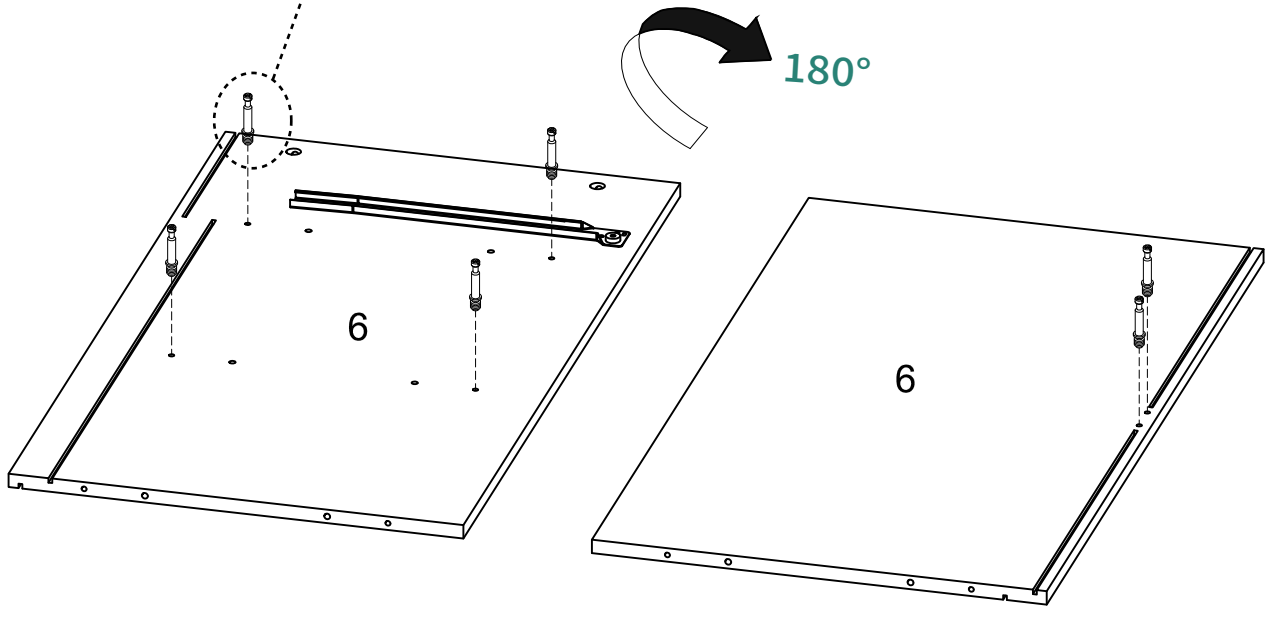
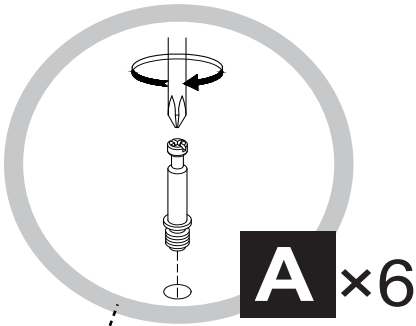
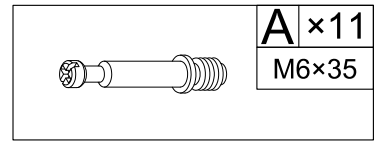


2

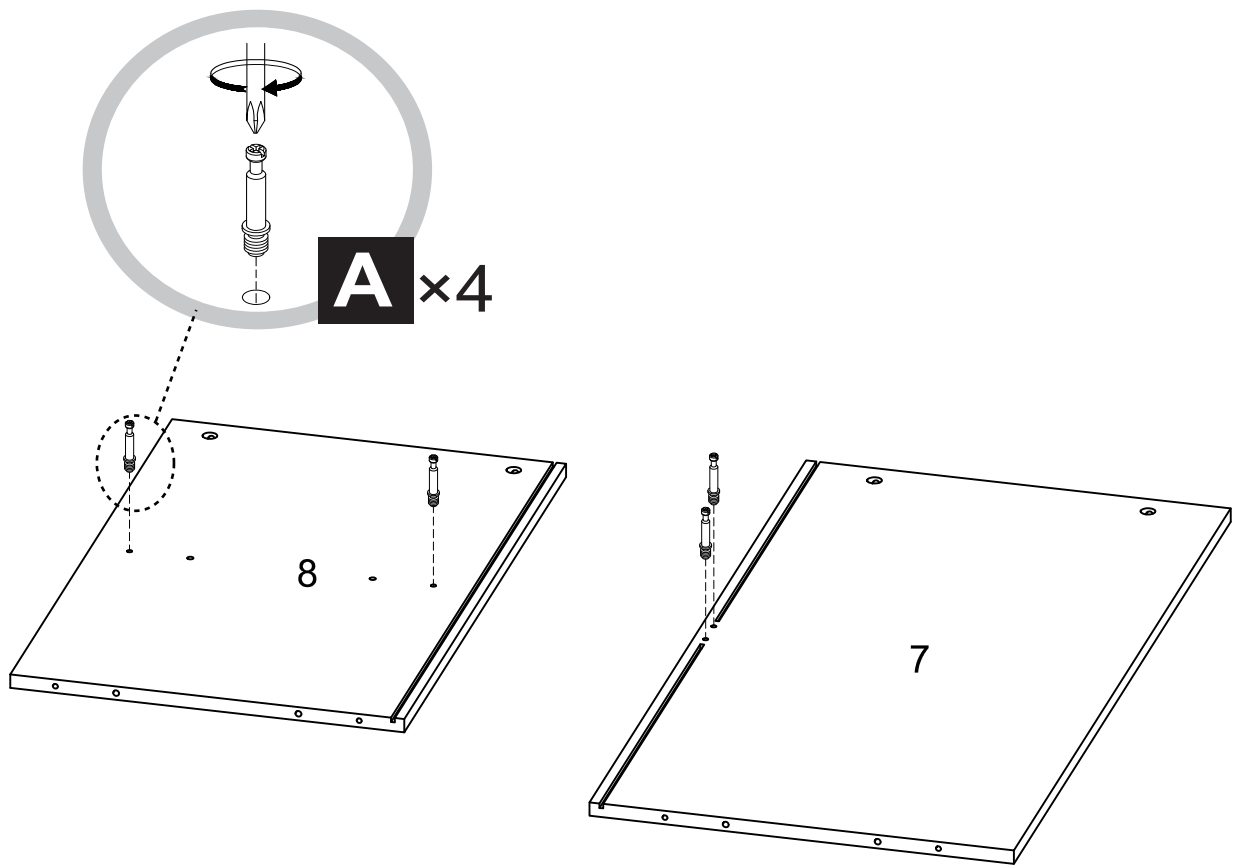
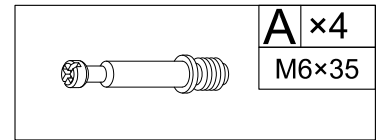
| | | |
|---|---------------|--|
|  | E x6 M3x12 | CL x1  |
| | | CR x1  |




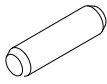
3

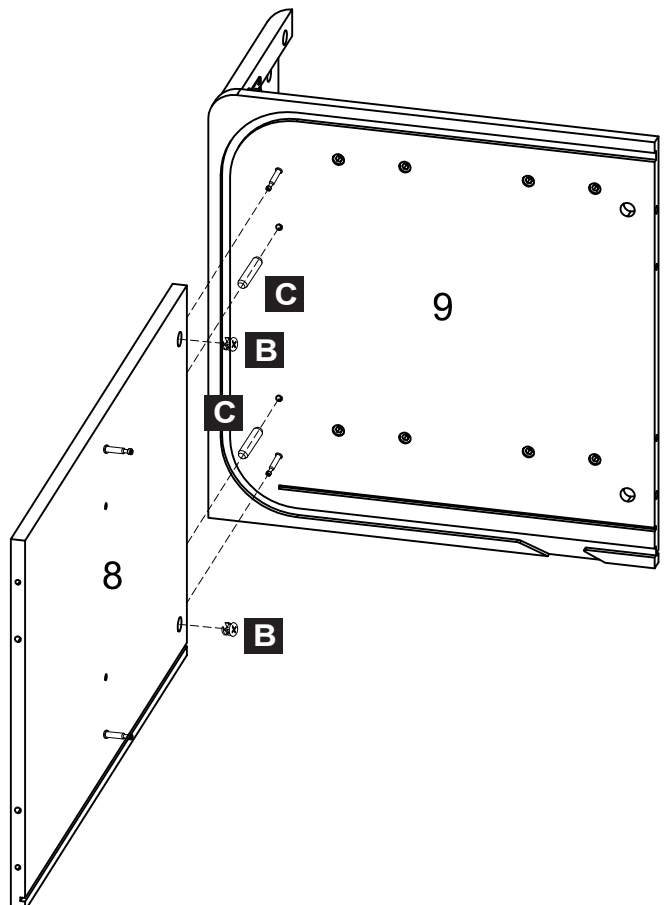
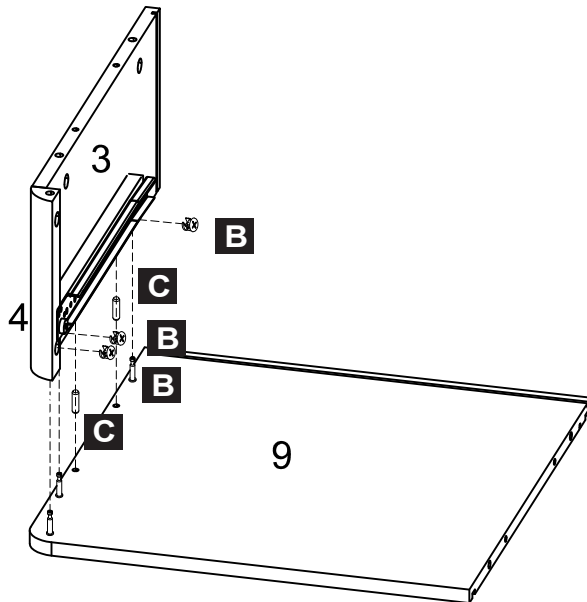


5




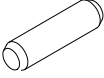


5

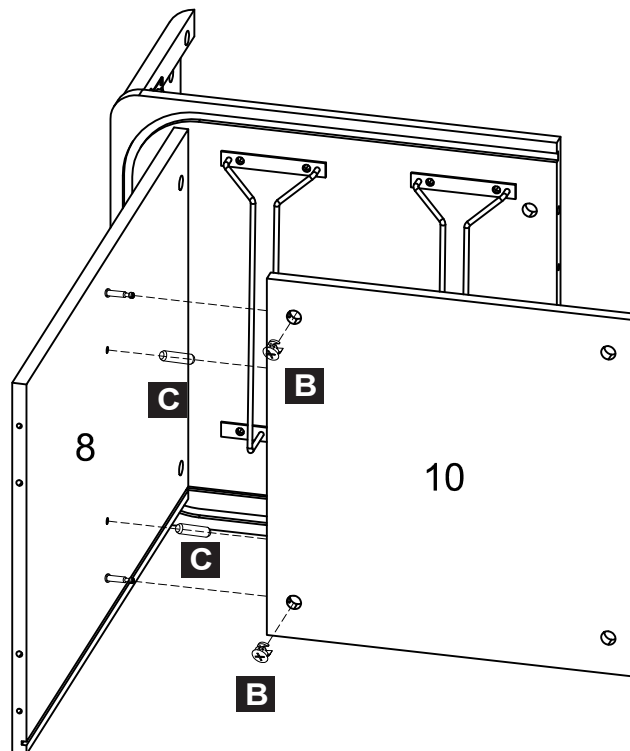
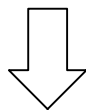
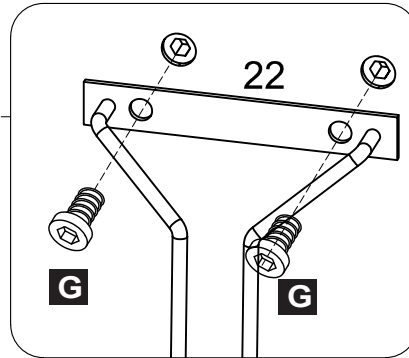
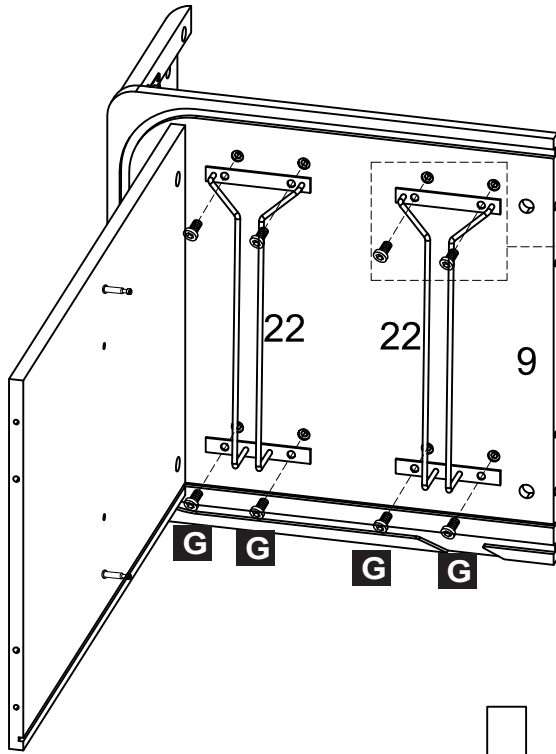
| | | | |
|---|--------------|---|--------------|
|  | B × 5 |  | C × 4 |
| | M15×10 | | M6×30 |


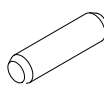


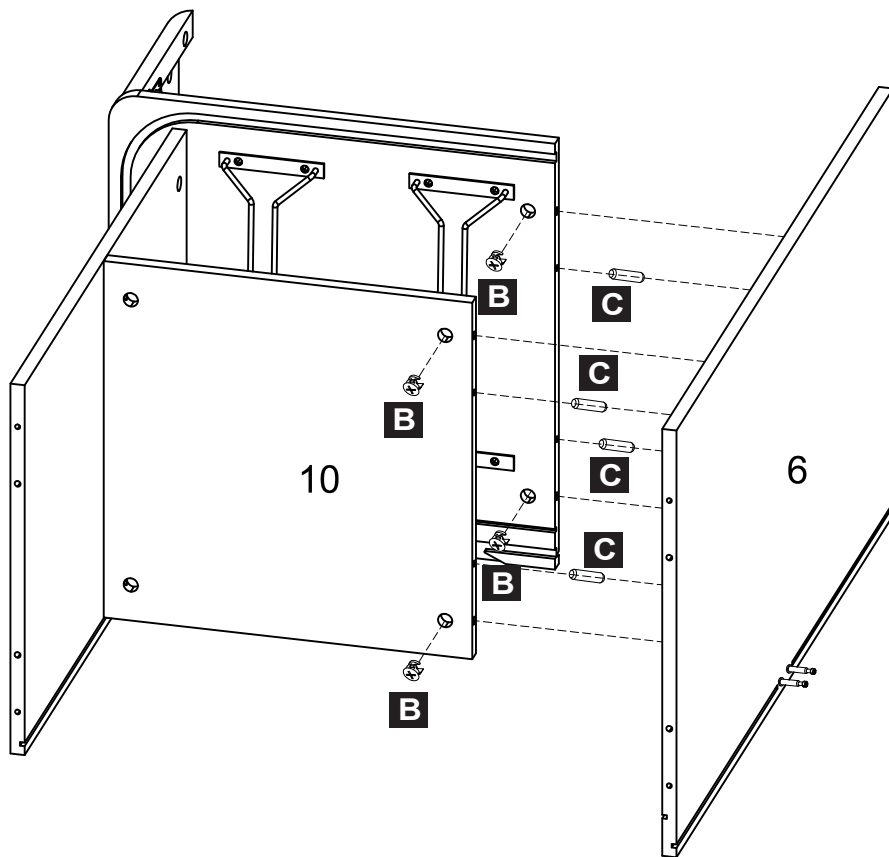
7

6

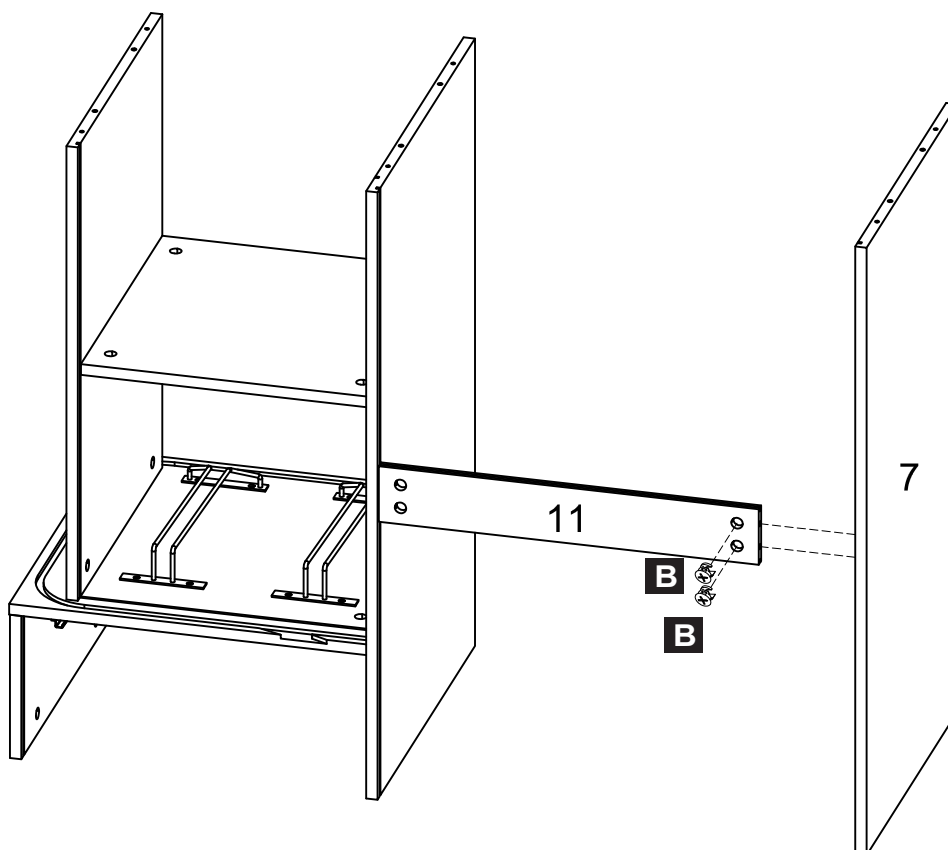
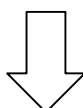
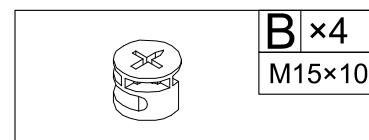
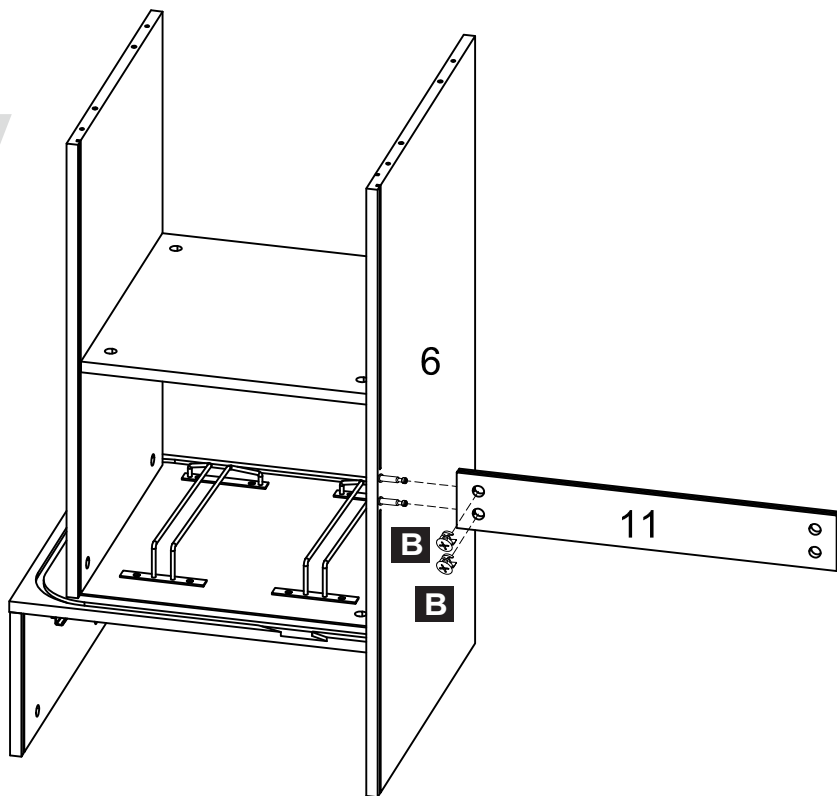
| | | | |
|---|------------------------|---|-----------------------|
|  | B × 2 M15×10 |  | C × 2 M6×30 |
|  | G × 8 M6×12 |  | S × 1 M4 |

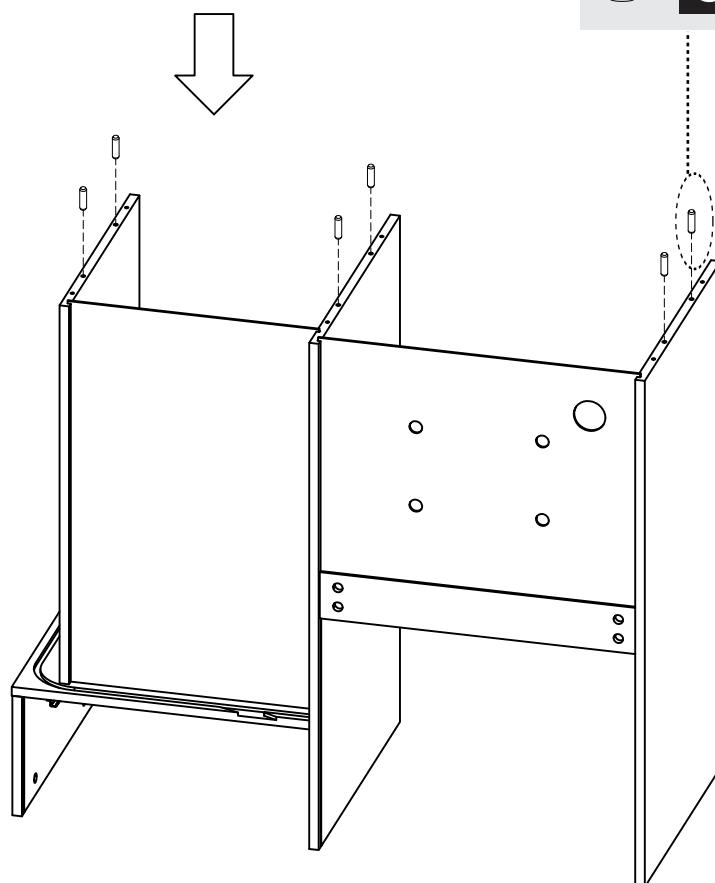
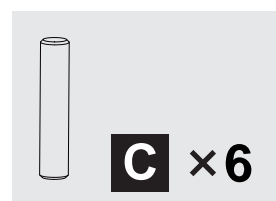
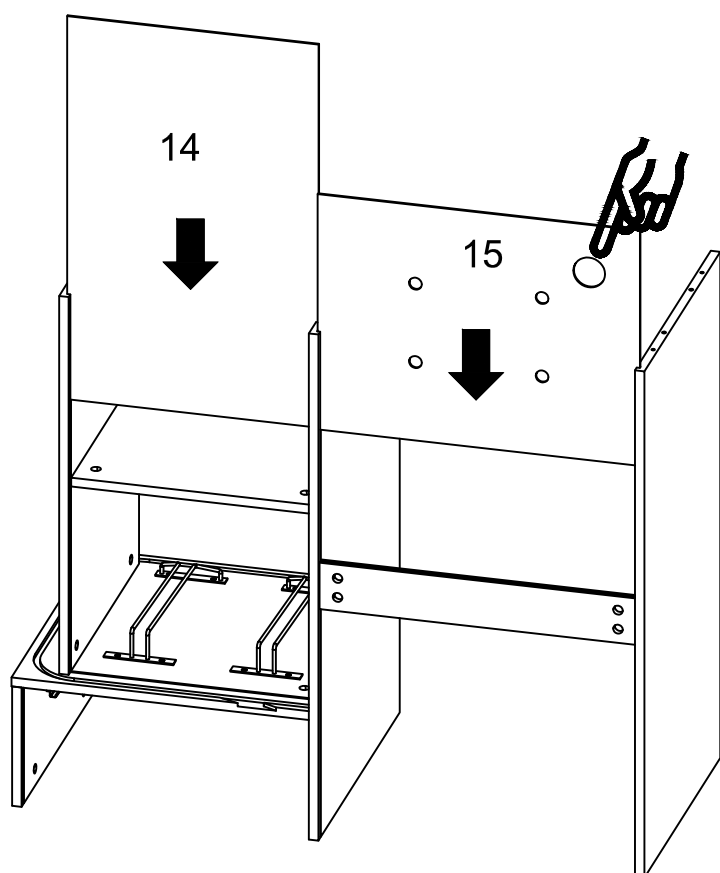
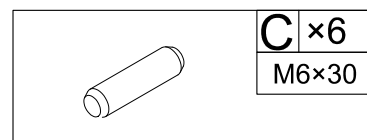


| | | | |
|---|-------------|---|-------------|
|  | B ×4 |  | C ×4 |
| | M15×10 | | M6×30 |

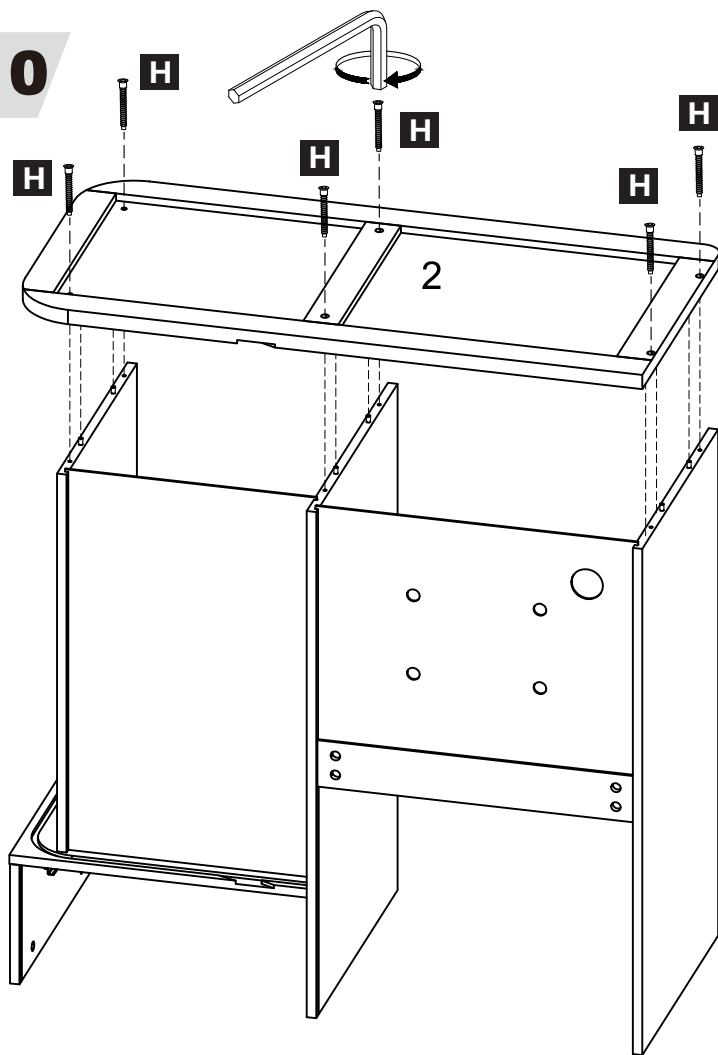


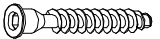


8

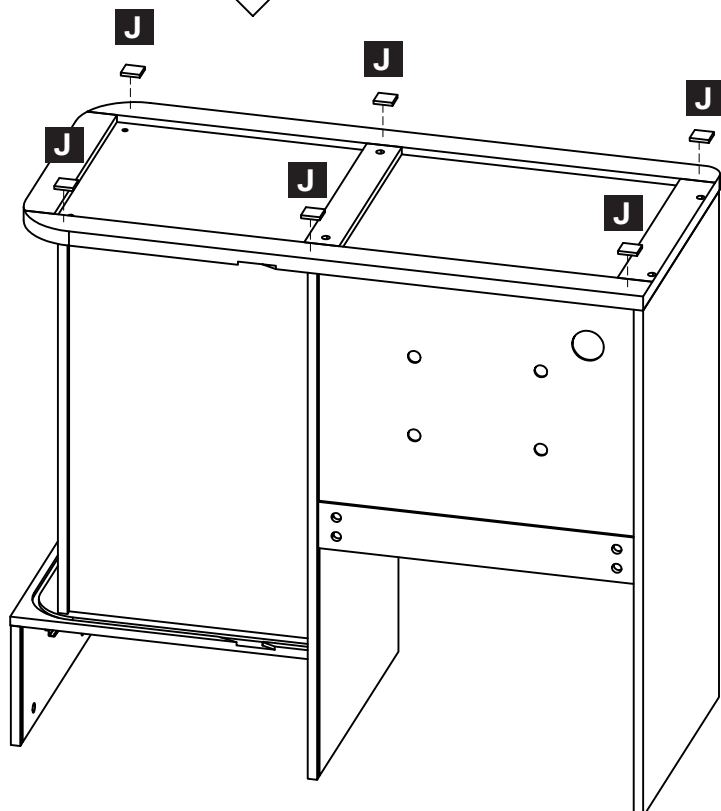
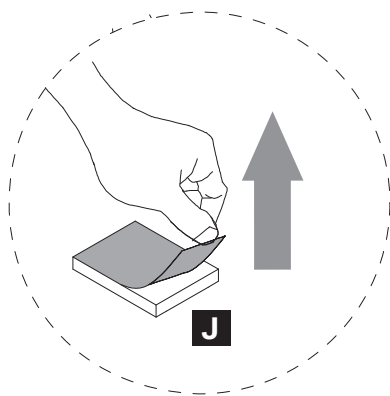
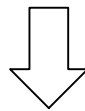


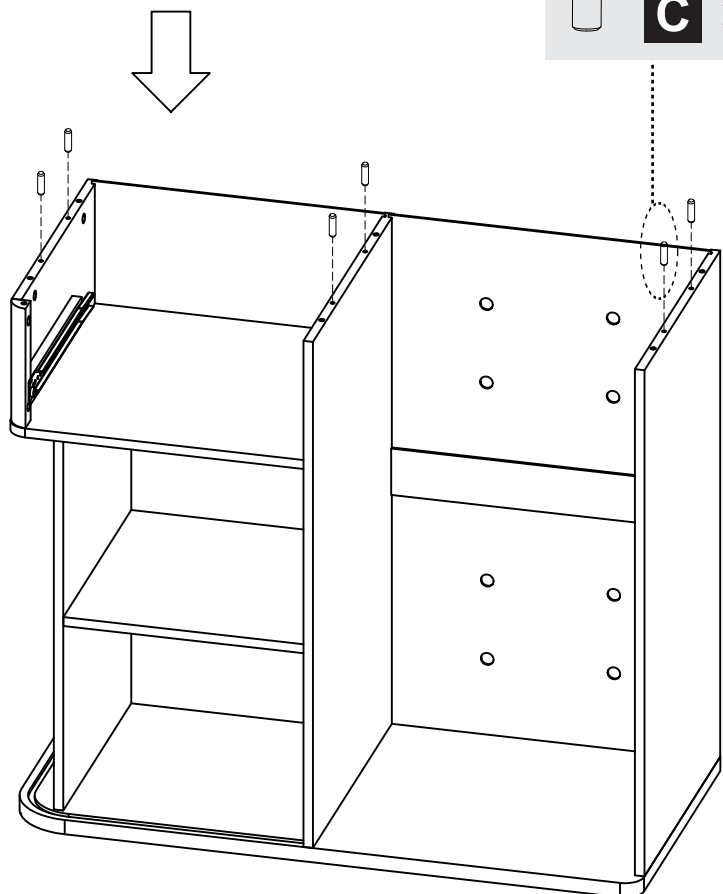
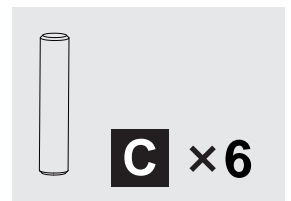
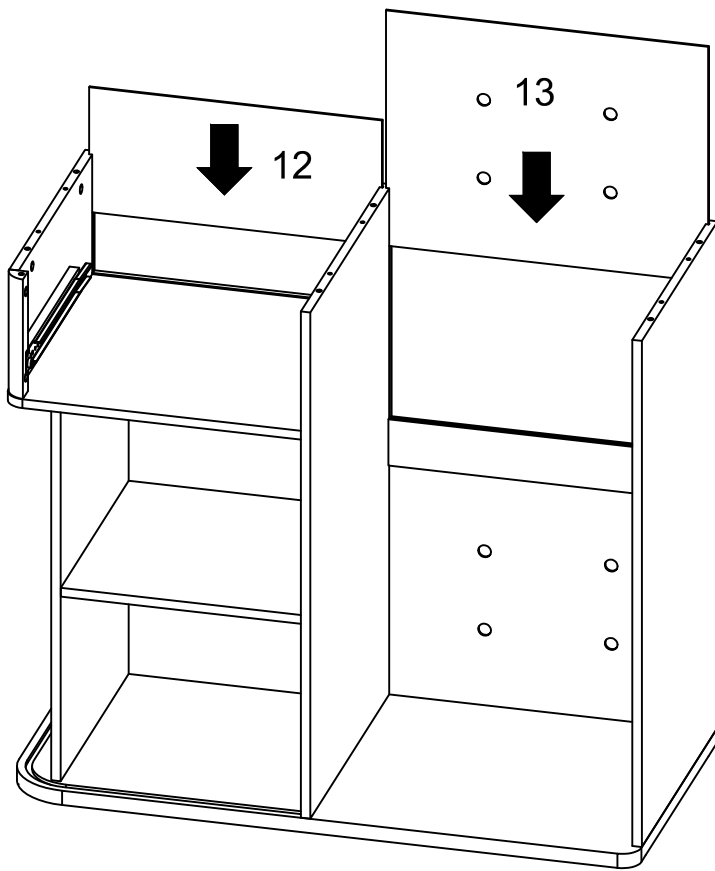
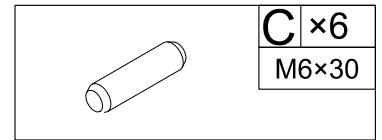


10

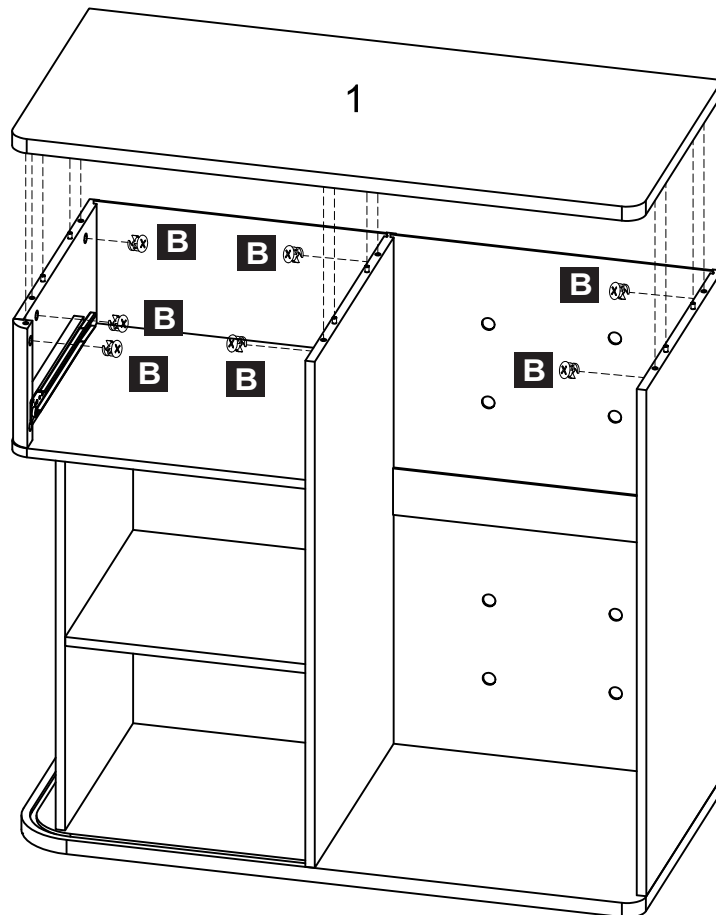
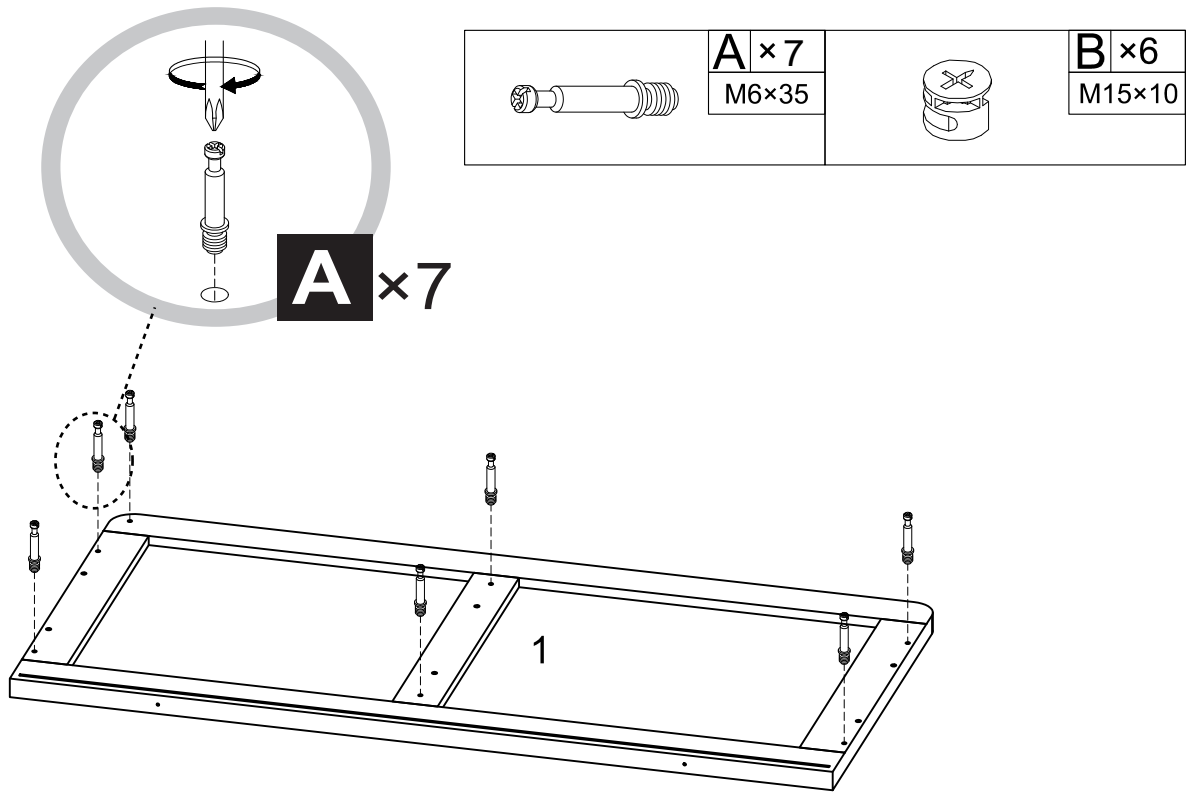


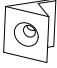

| | |
|---|-------------------------|
|  | H × 6 M7×50 |
|  | J × 6 30×30×5 |
|  | S × 1 M4 |

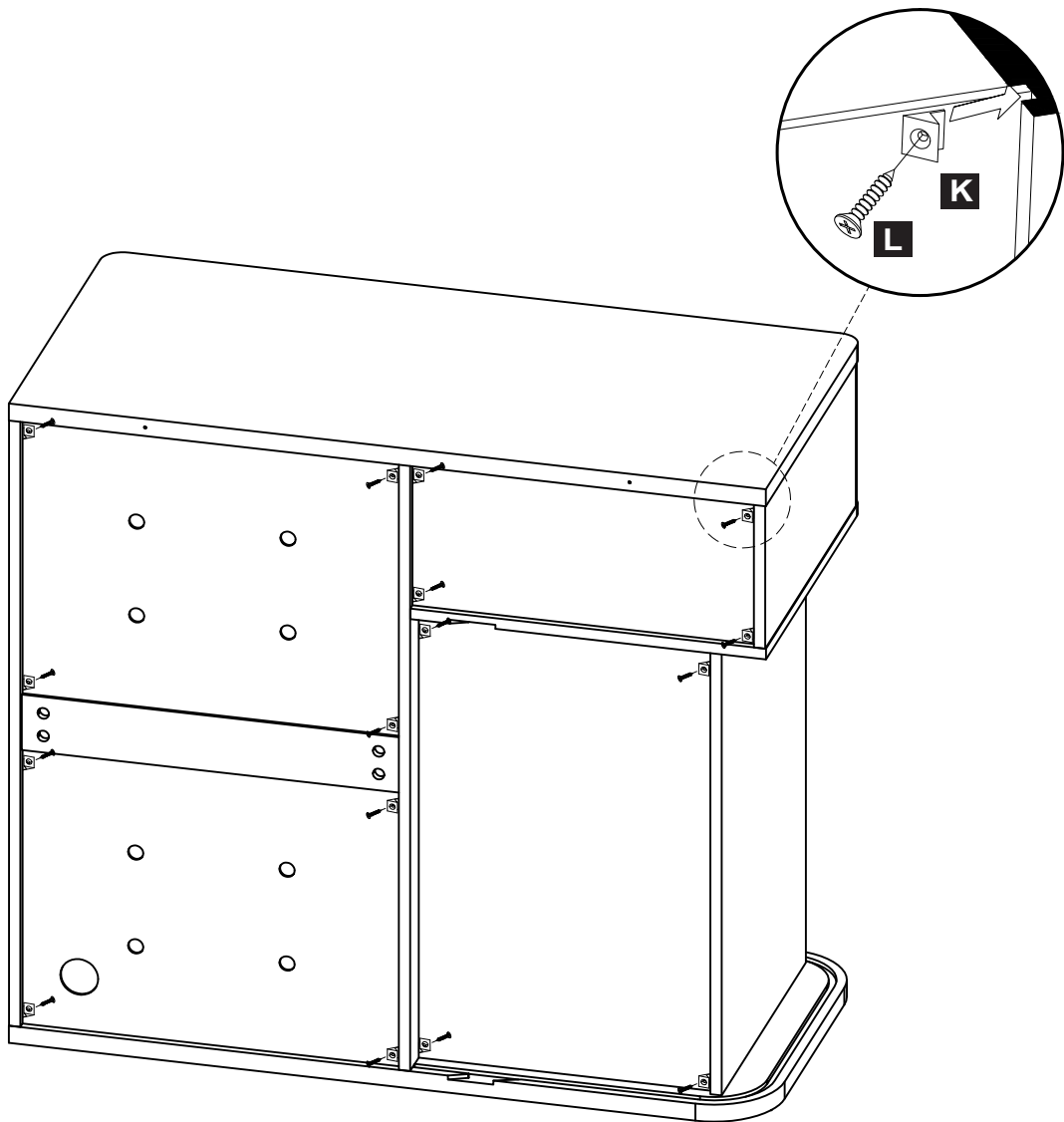



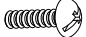


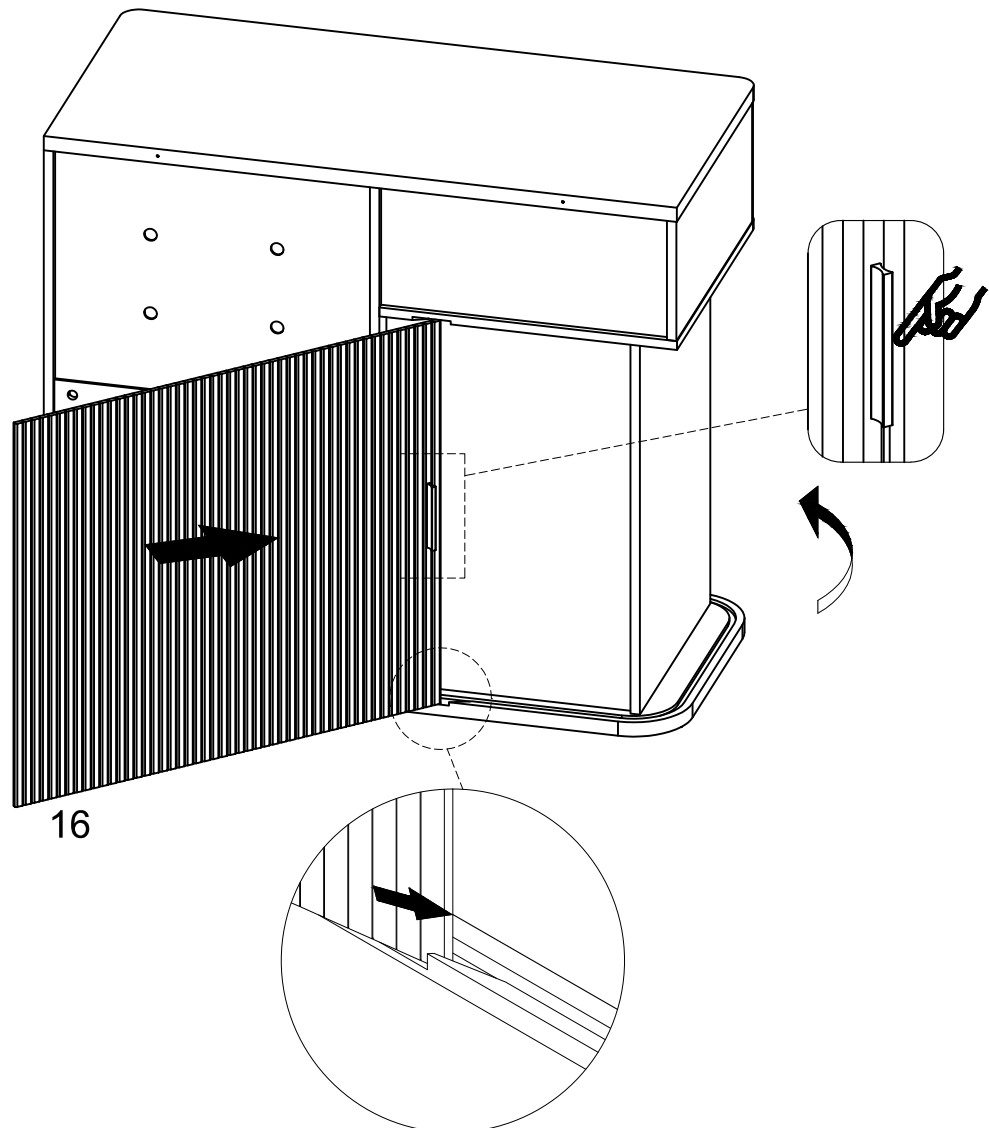
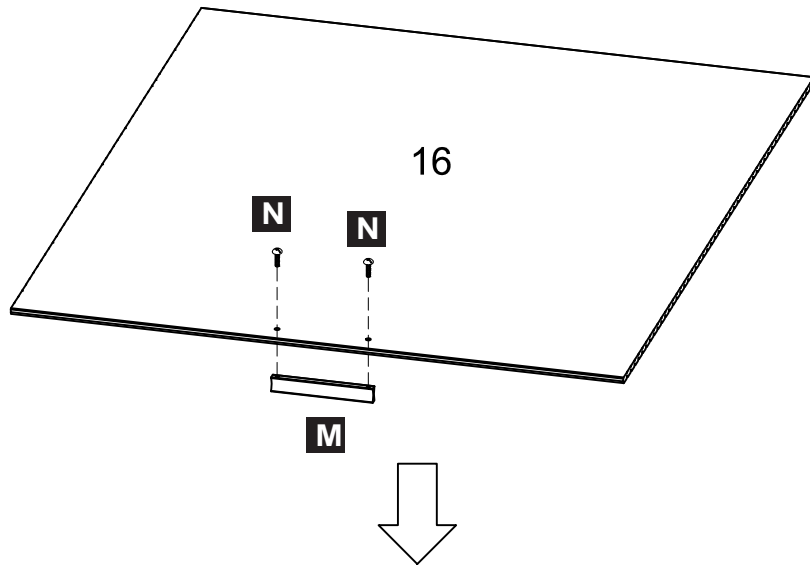
12

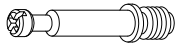




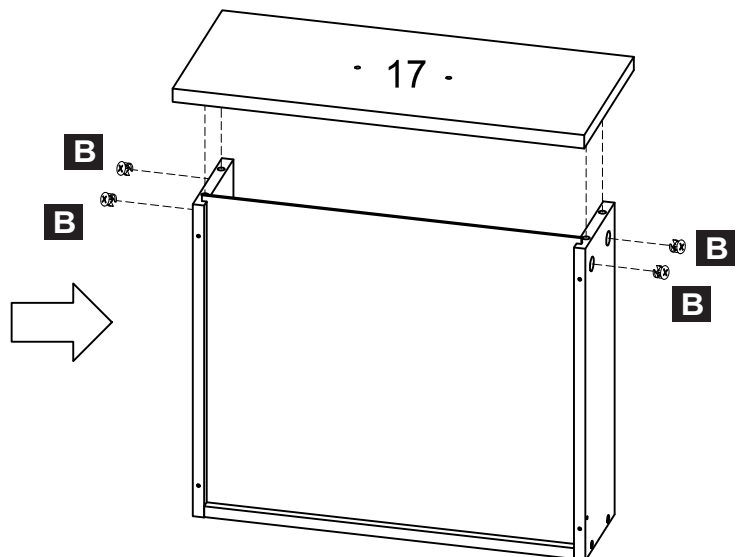
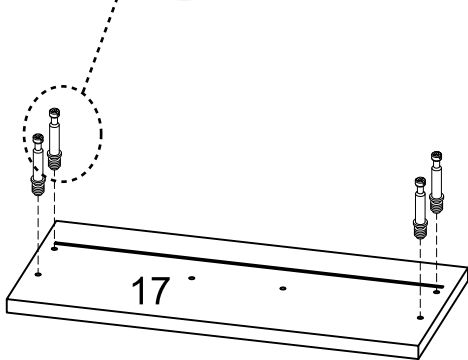
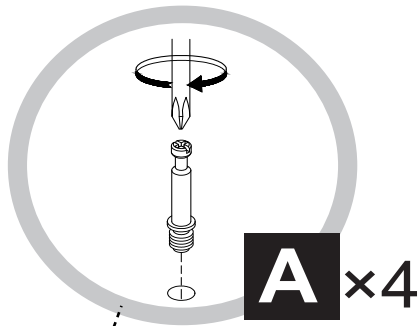
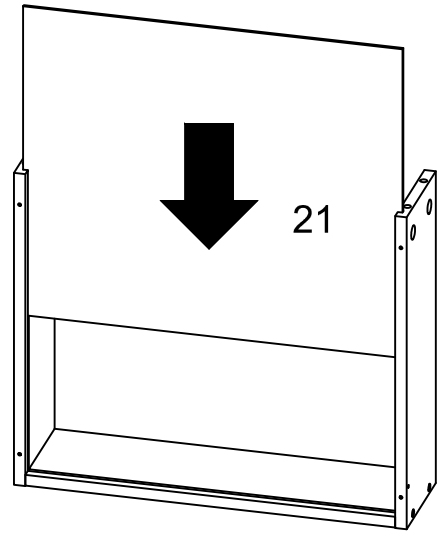
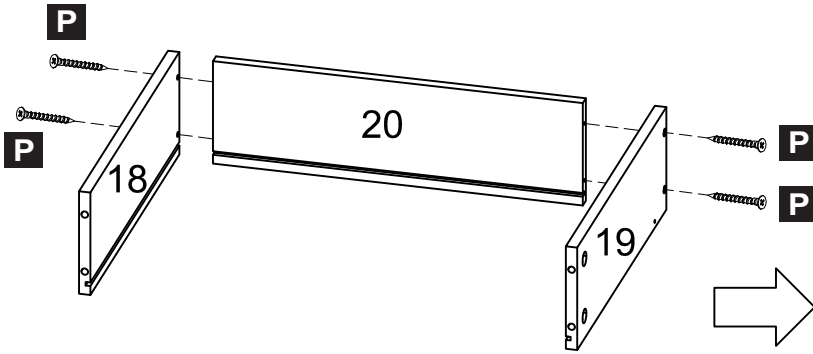
| | | | |
|---|--------------|---|-----------------------|
|  | K ×16 |  | L ×16 M3×14 |
|---|--------------|---|-----------------------|




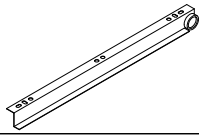
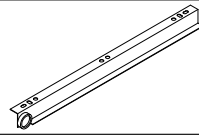


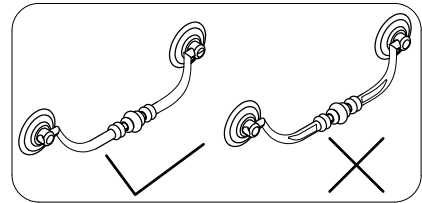
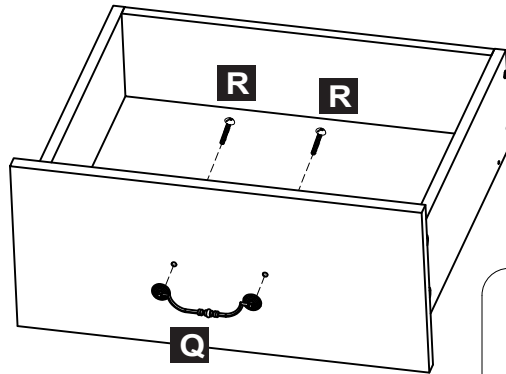
| | | | |
|--|-------|---|---------|
|  | M x 1 |  | N x 2 |
| | | | M4 x 10 |



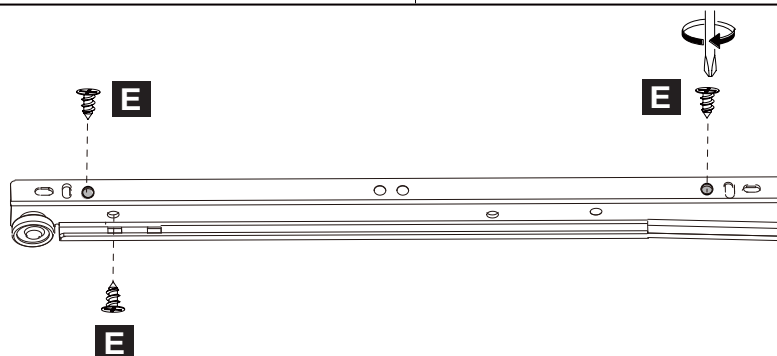
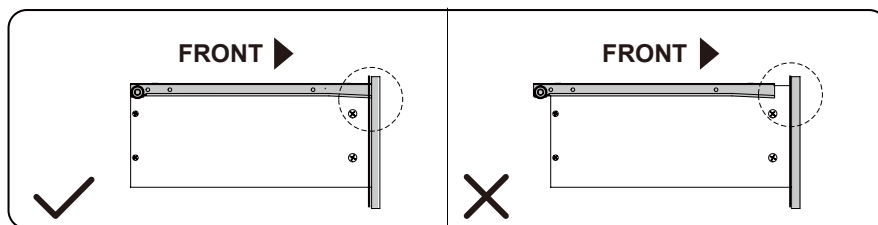
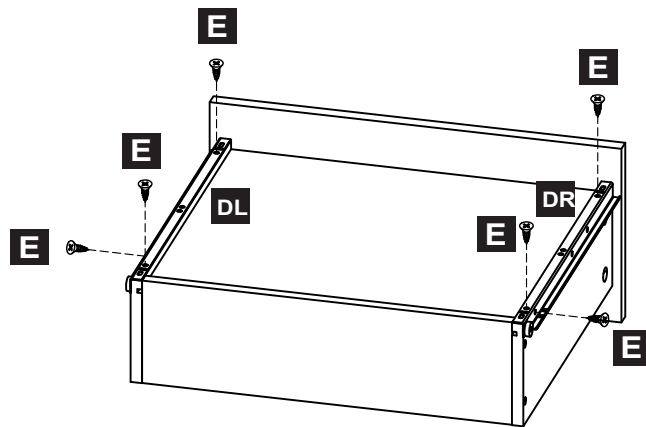
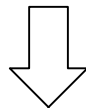
| | | | |
|--|--------------|---|--------------|
|  | A × 4 |  | B × 4 |
| | M6×35 | | M15×10 |
| | |  | P × 4 |
| | | | M4×35 |



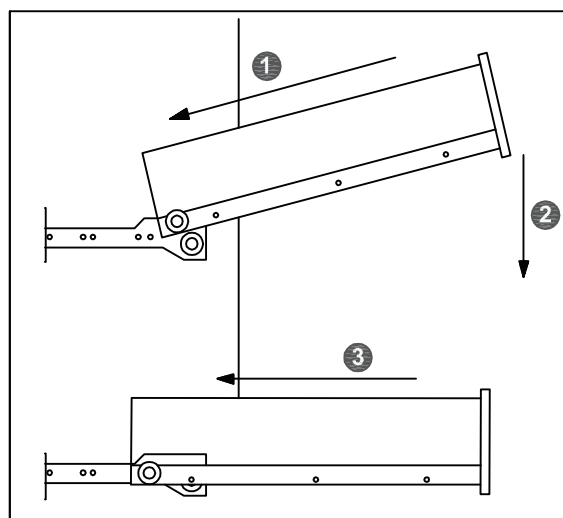
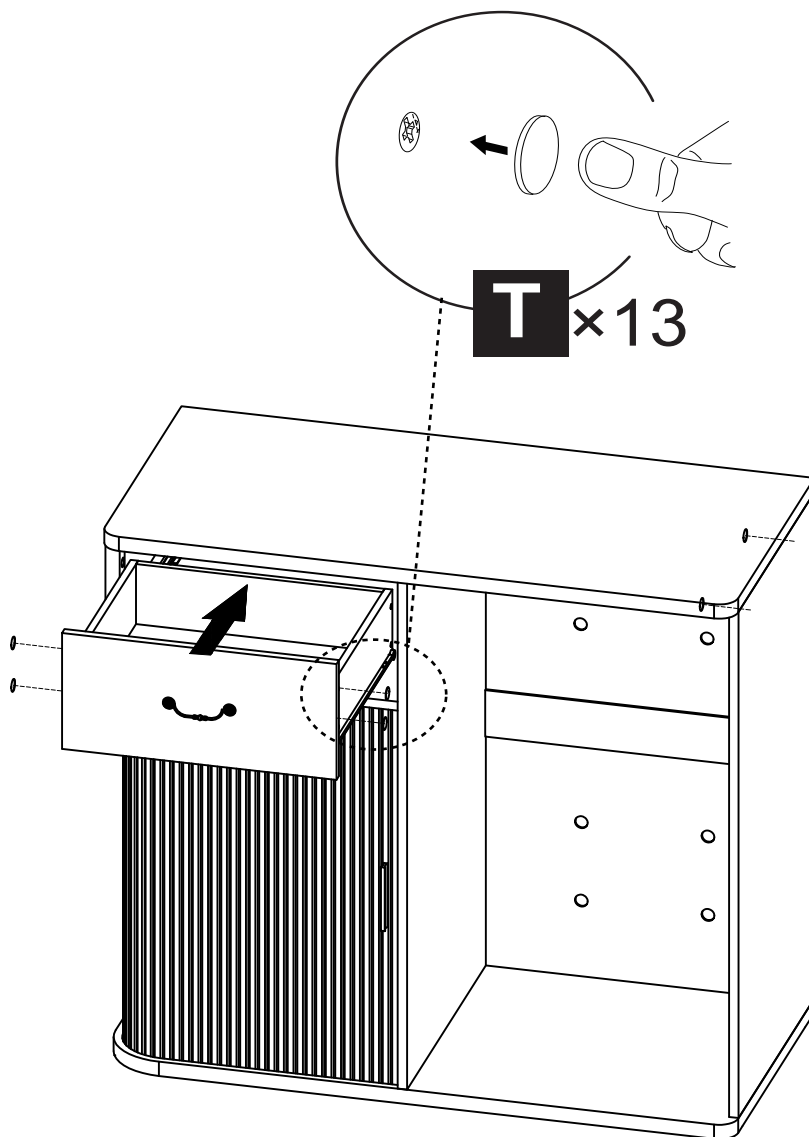
| | | | |
|---|-------------------------|---|-------------------------|
|  | Q × 1 |  | R × 2 M4 × 20 |
|  | E × 6 M3 × 12 |  | DL × 1 |
| | |  | DR × 1 |

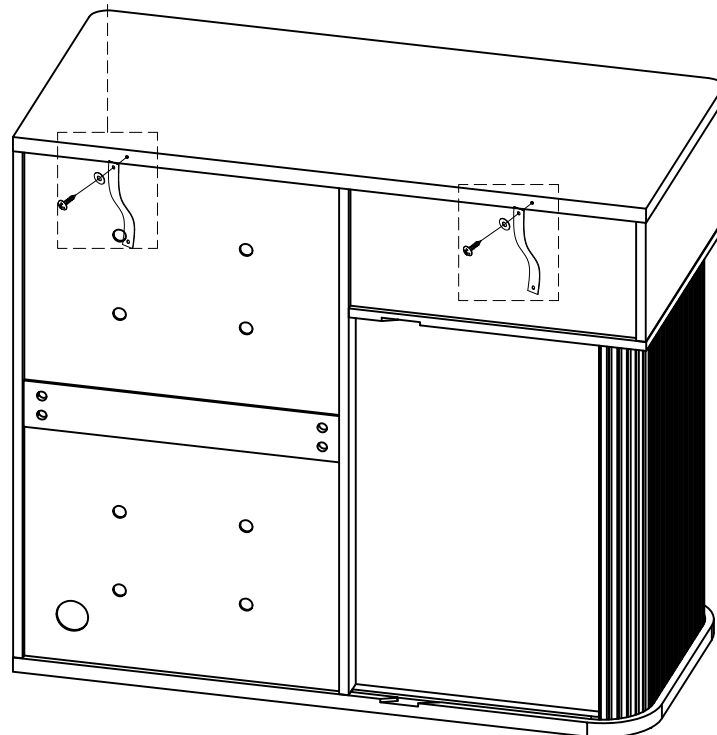
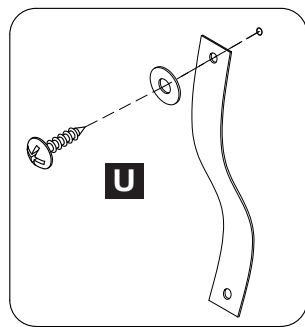
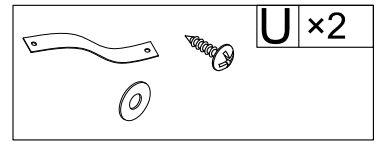


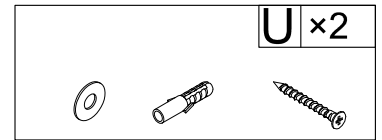
Note: Front and reverse side of handle



| | |
|--|--------|
| | T × 13 |
| | Ø20 |







WALL

(1)

WALL
drilling hole
Ø6x30mm

(2)

WALL

U

(3)

(4)

