

# INSTALLATION MANUAL

Model: FBU0190\_00  
FBU0180\_00

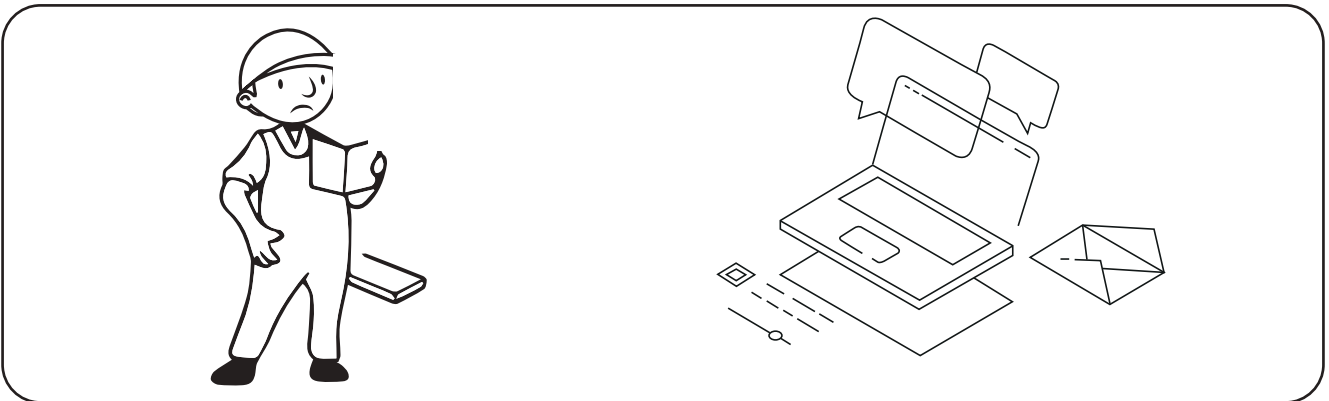
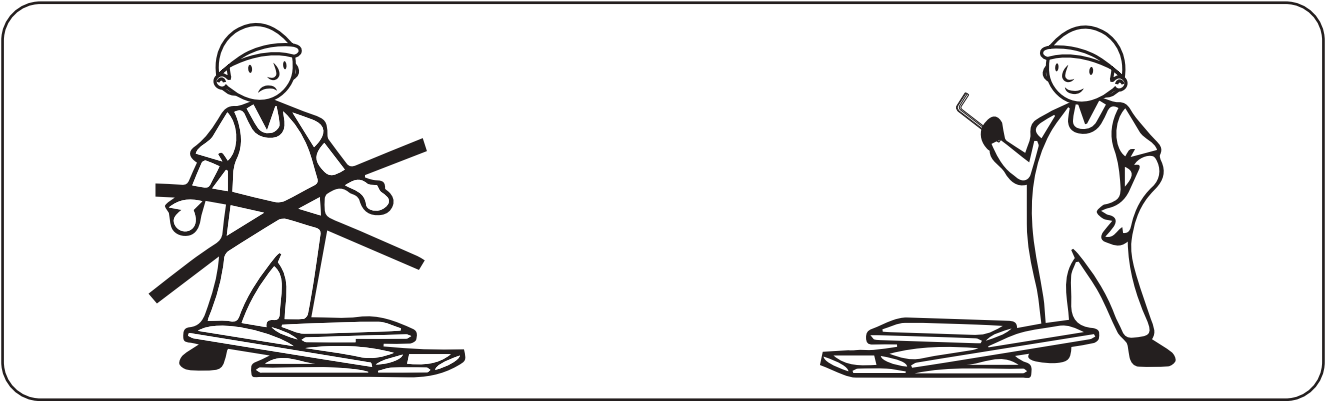
Support : [ServiceTeam86@outlook.com](mailto:ServiceTeam86@outlook.com)

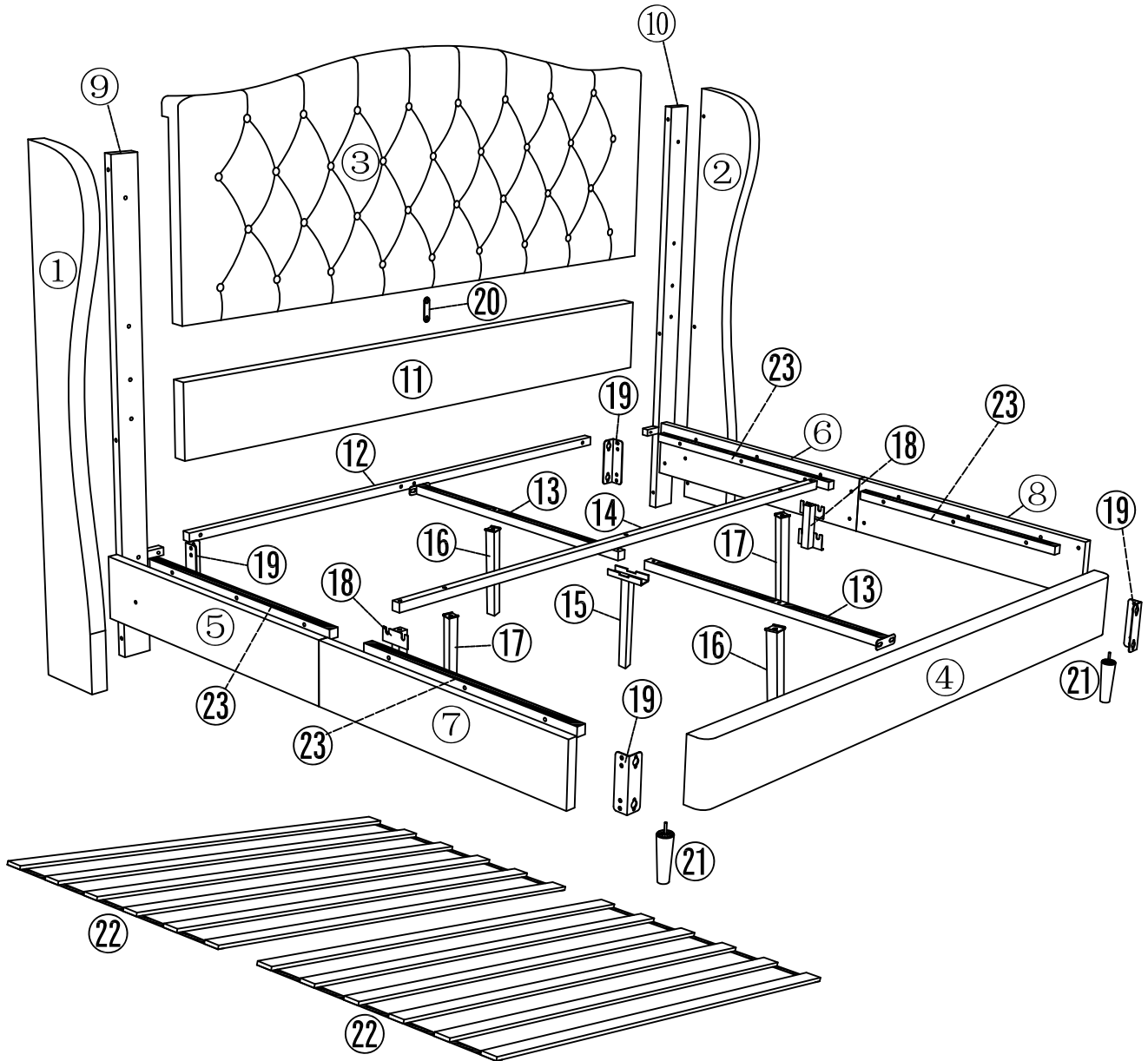


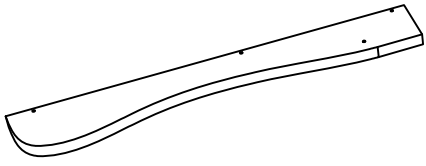
\* Tools we provide in the box:



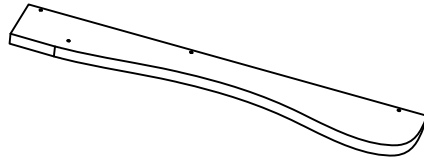
ALLEN KEY



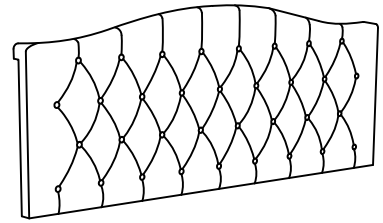




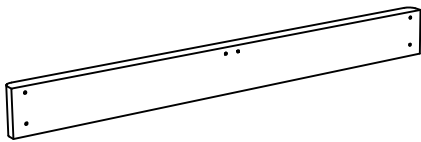
① x 1PC



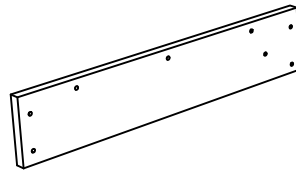
② x 1PC



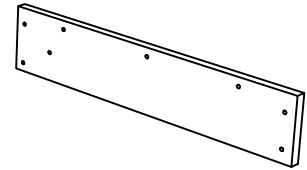
③ x 1PC



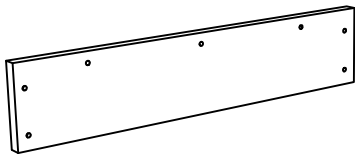
④ x 1PC



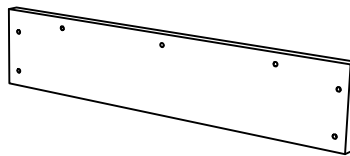
⑤ x 1PC



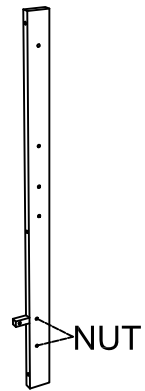
⑥ x 1PC



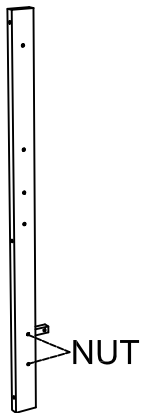
⑦ x 1PC



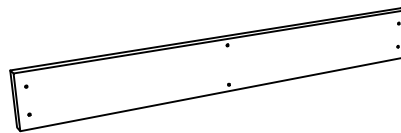
⑧ x 1PC



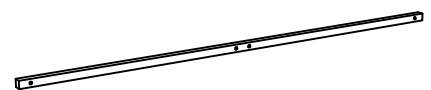
⑨ x 1PC



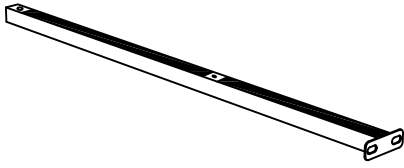
⑩ x 1pc



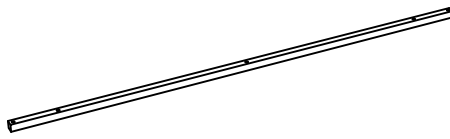
⑪ x 1PC



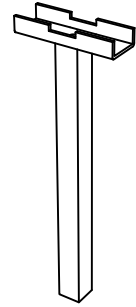
⑫ x1PC



⑬ x 2PCS



⑭ x 1PC



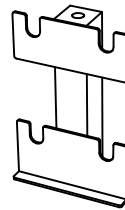
⑮ x 1PC



⑯ x 2PCS



⑰ x 2PCS



⑱ x 2PCS



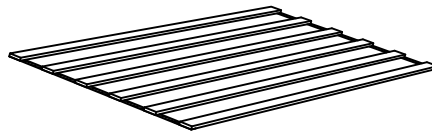
⑲ x 4PCS



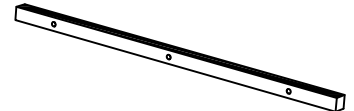
⑳ x 1PC



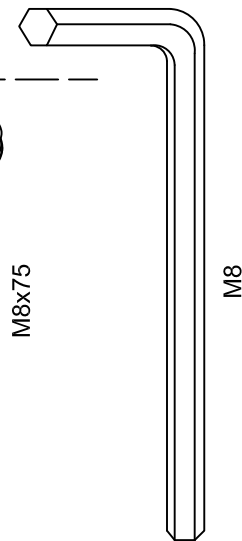
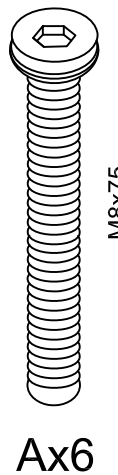
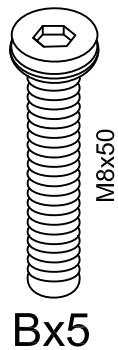
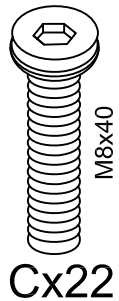
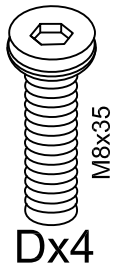
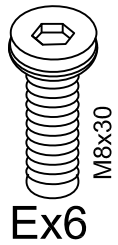
㉑ x 2PCS




㉒ x 2PCS

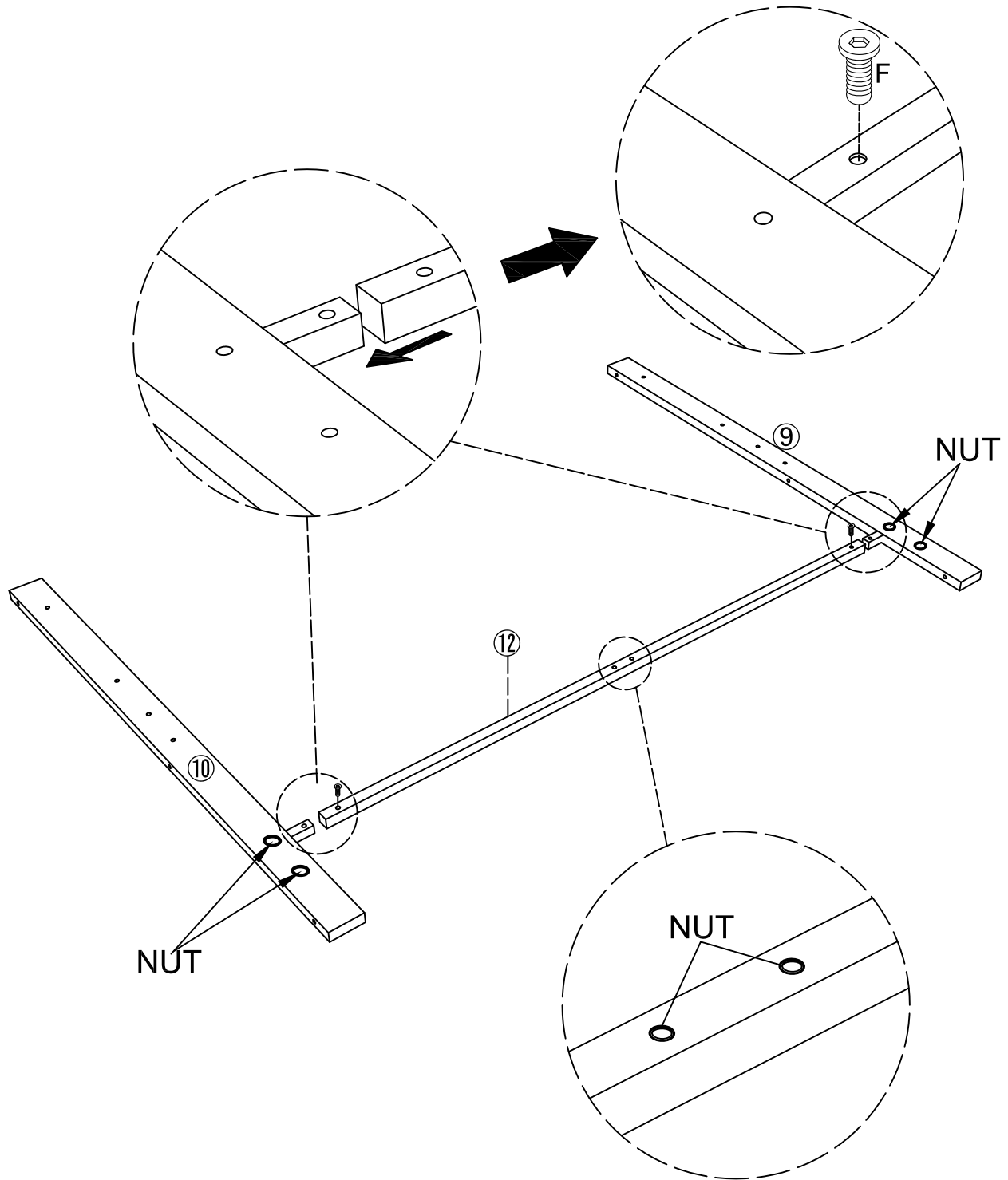





㉓ x 4PCS

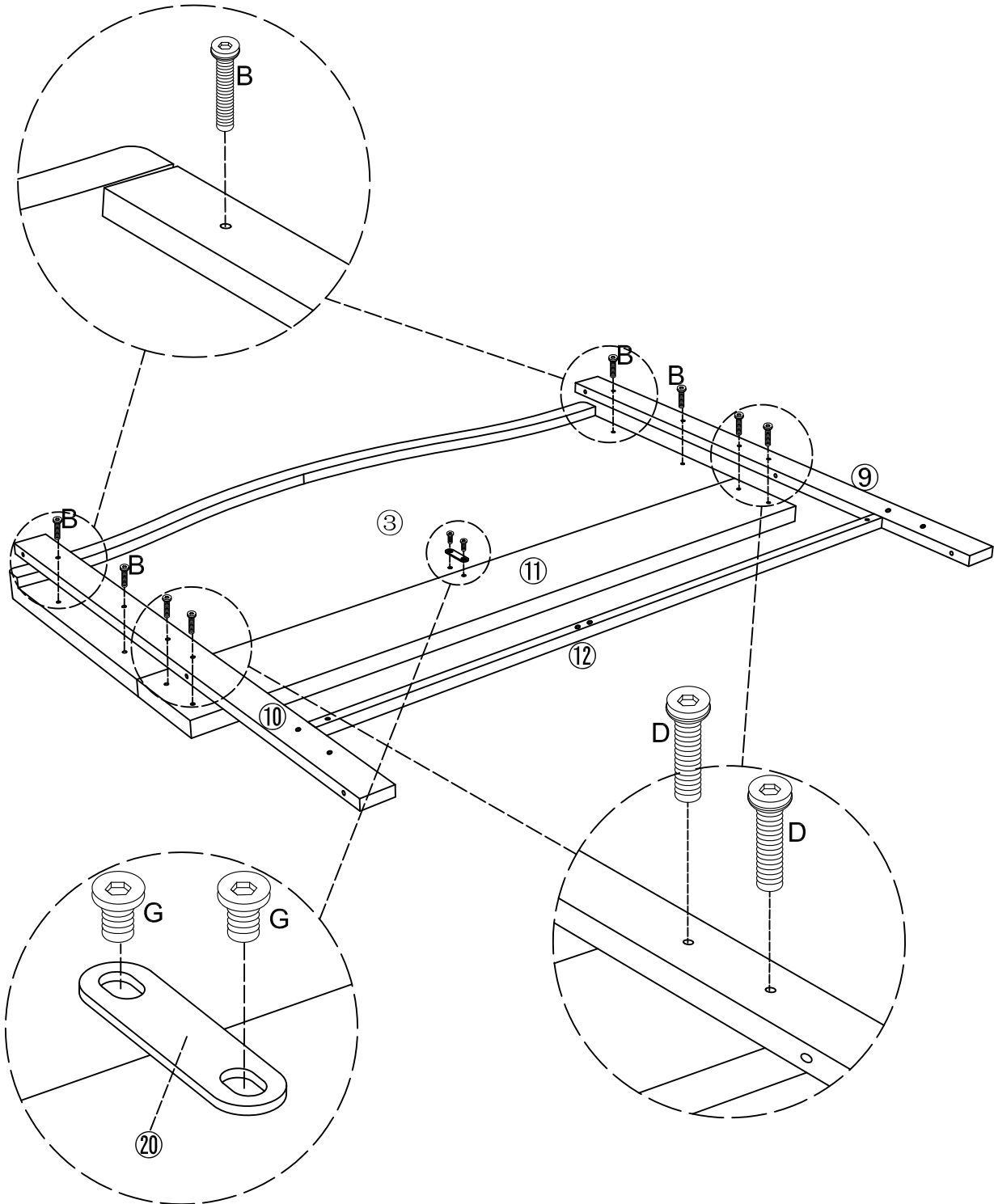


Hx1

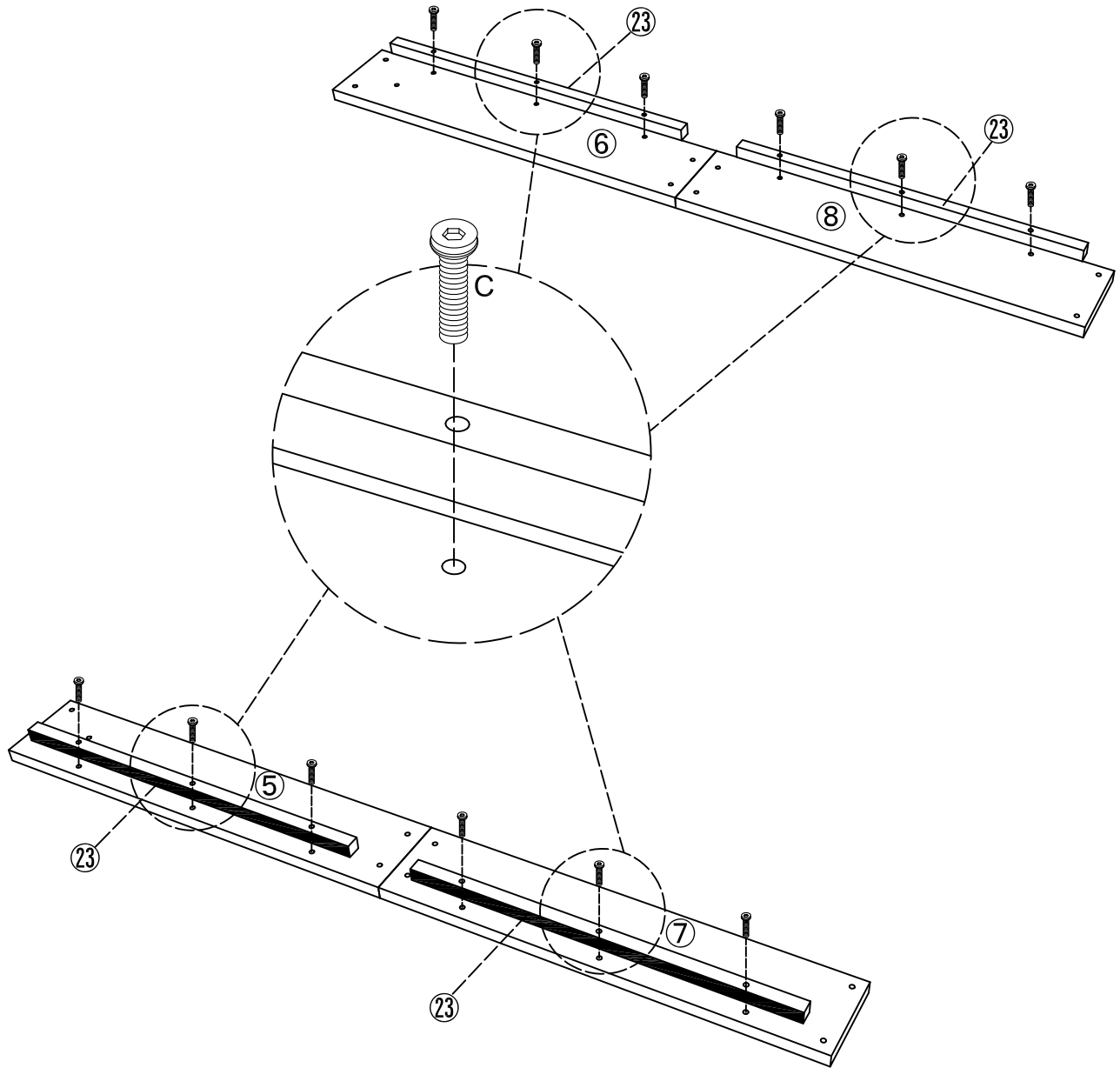
F	 M8x20	2
---	--	---



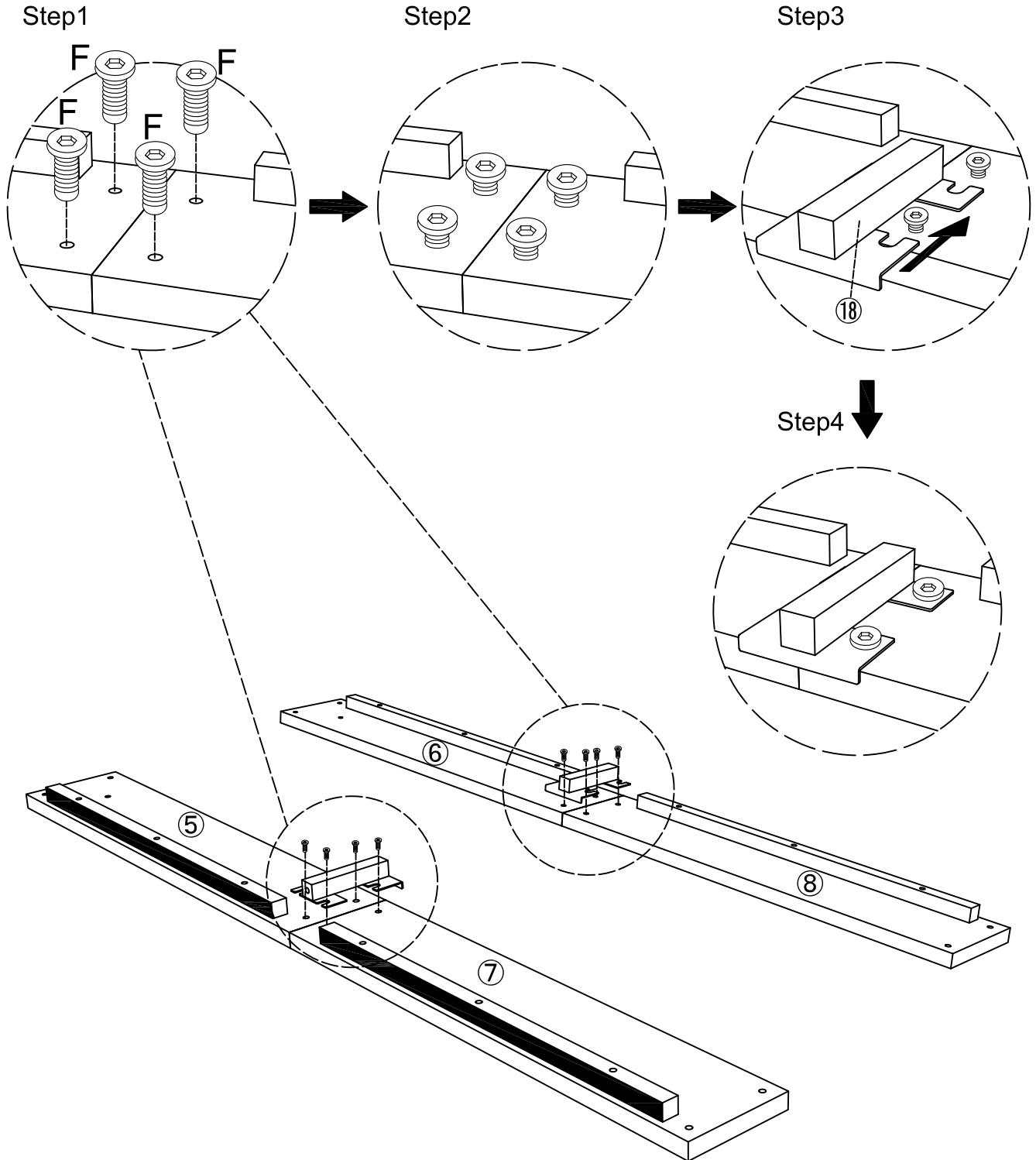
B		4	D		4	G		2
	M8x50			M8x35			M8x15	



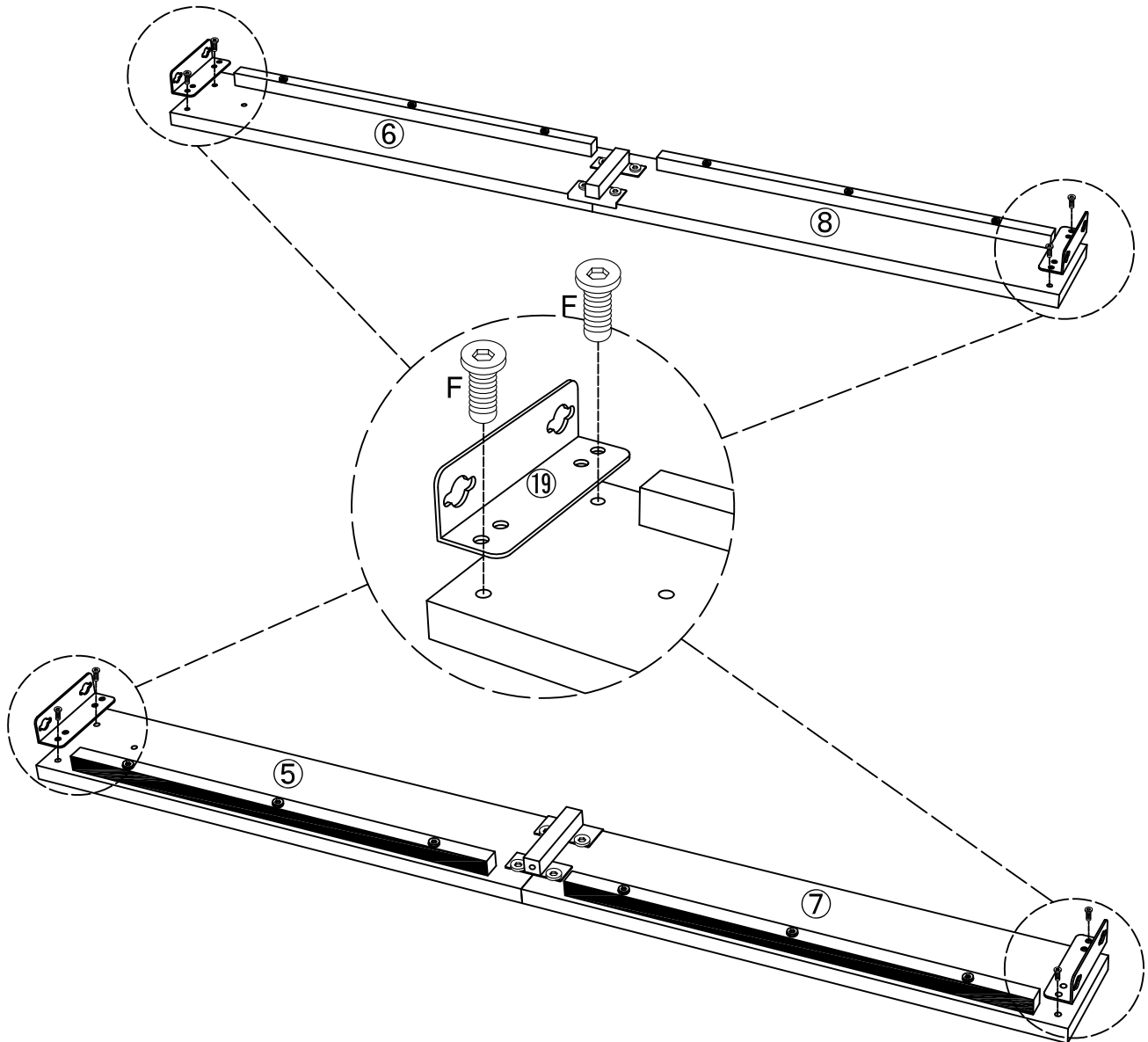
C	 M8x40	12
---	--	----

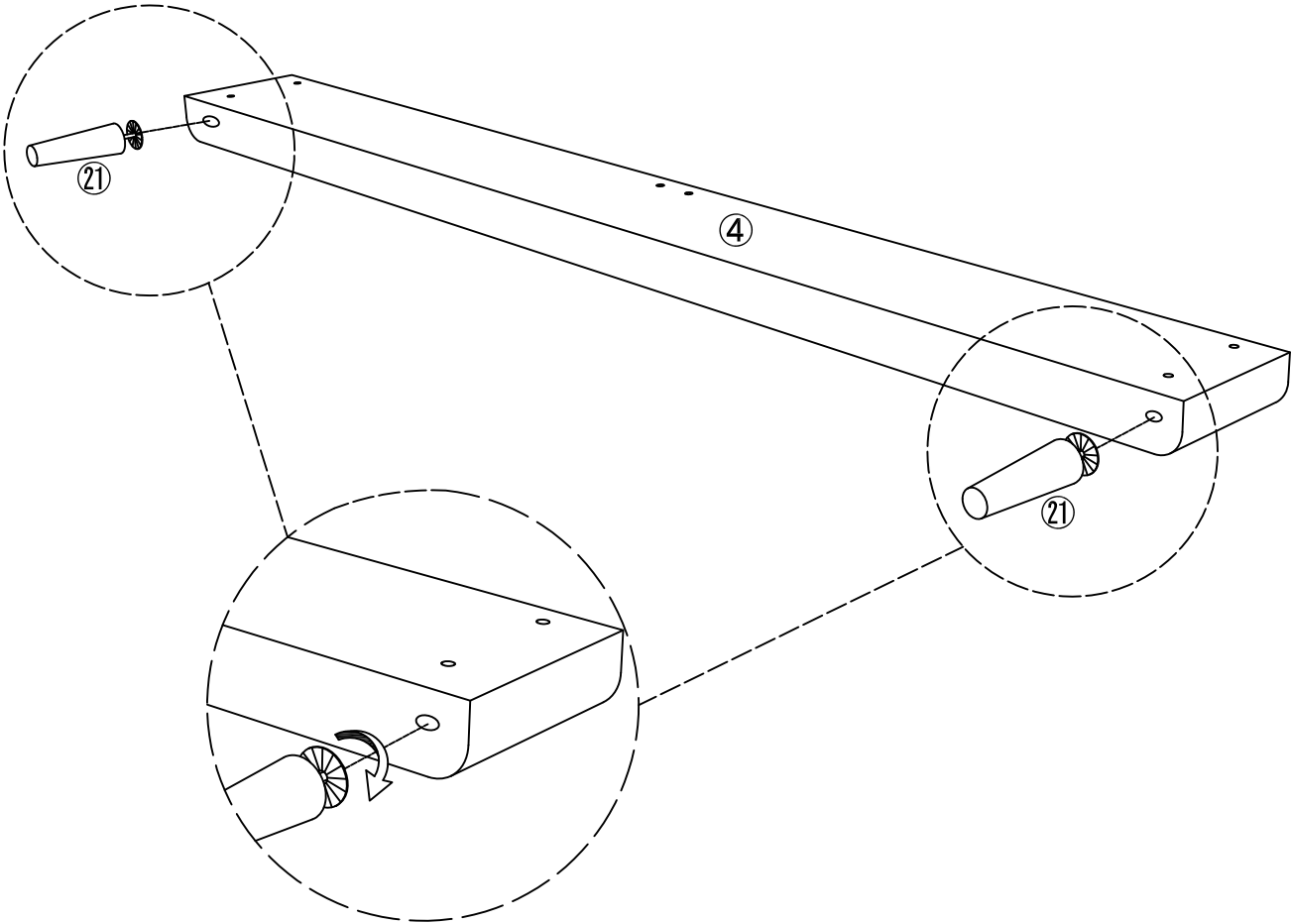


F	 M8x20	8
---	--	---



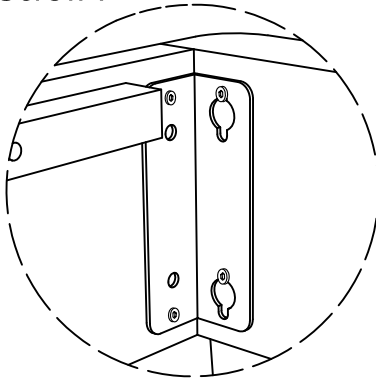
F	 M8x20	8
---	--	---



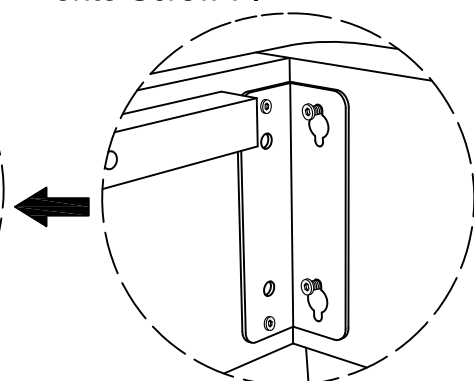


F	 M8x20	4
---	--	---

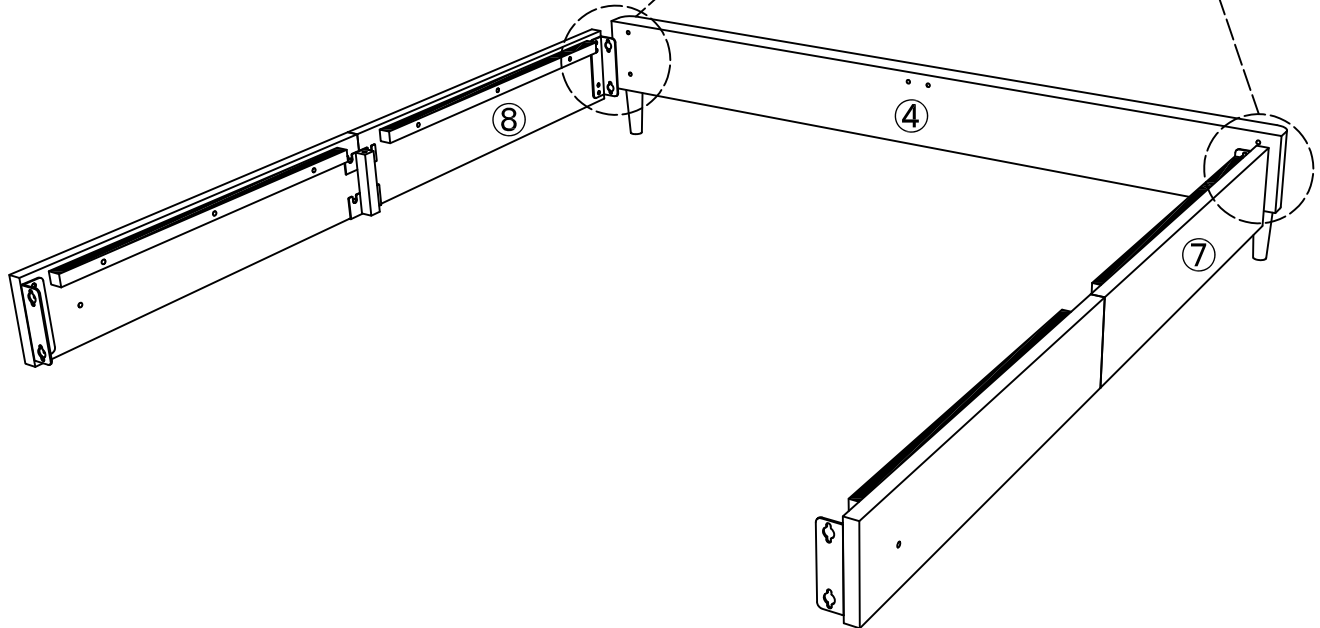
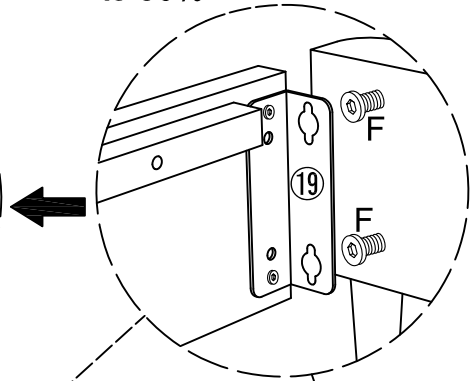
Step 3: Fully tighten  
Screw F



Step 2: Position the bracket  
onto Screw F.

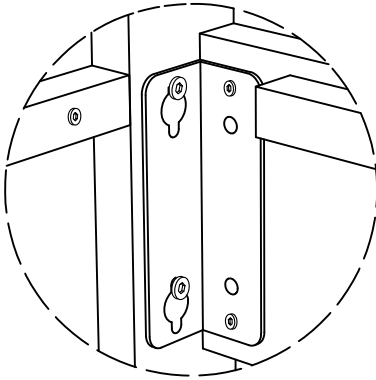


Step 1: Tighten Screw F  
to 50%

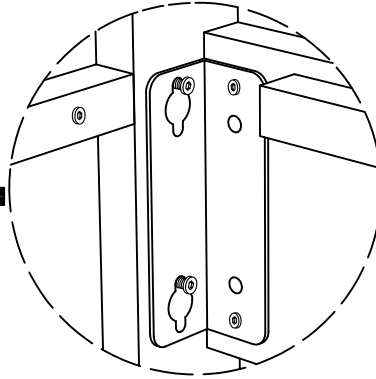


E	 M8x30	4
---	--	---

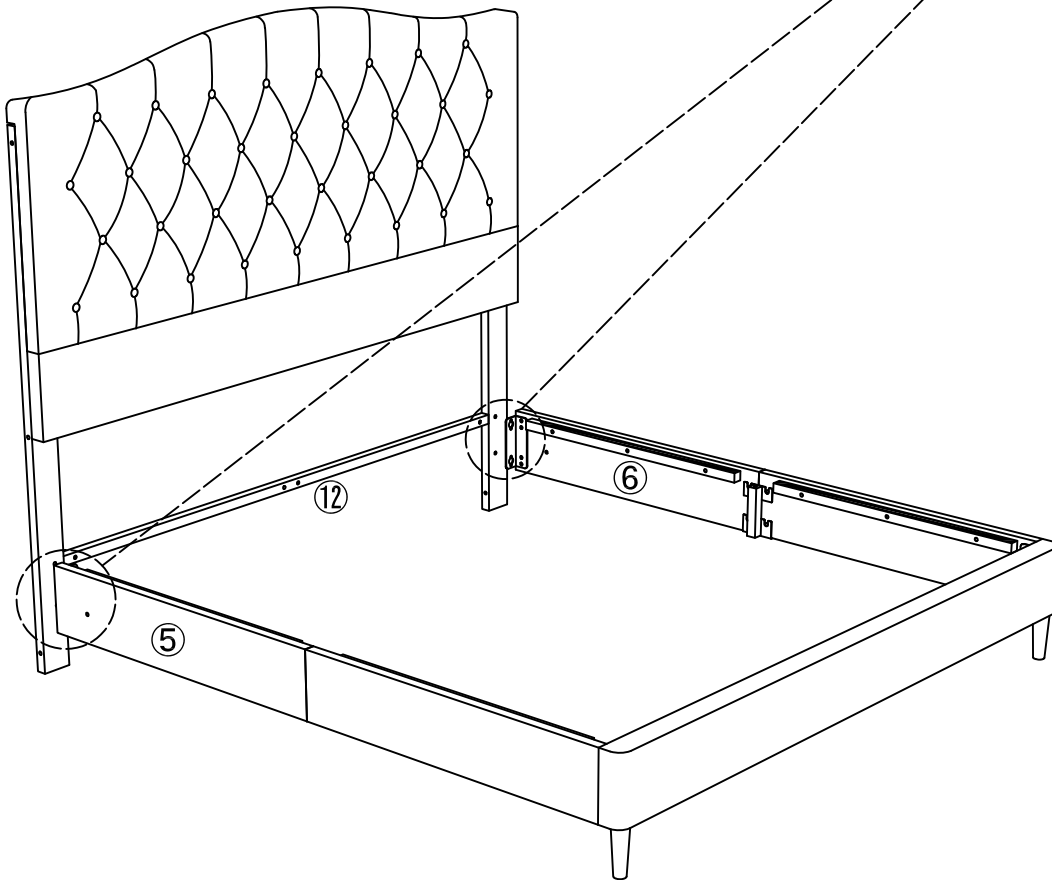
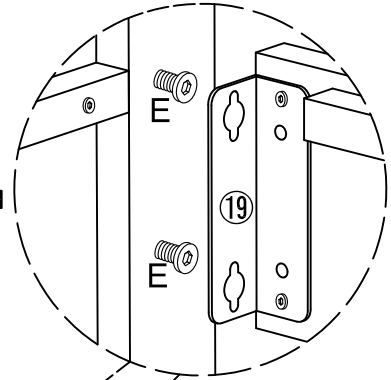
Step 3: Fully tighten  
Screw E

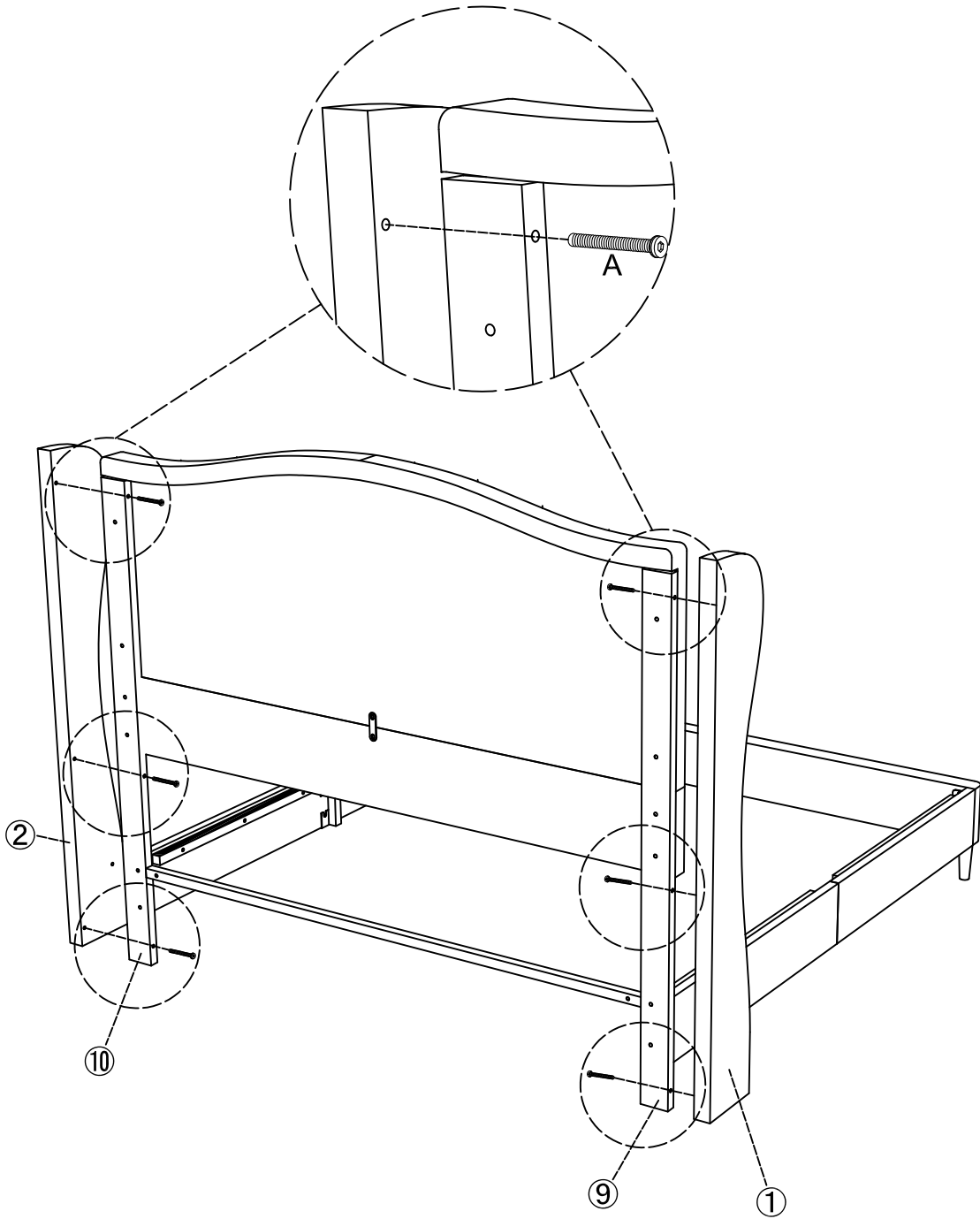


Step 2: Position the bracket  
onto Screw E.

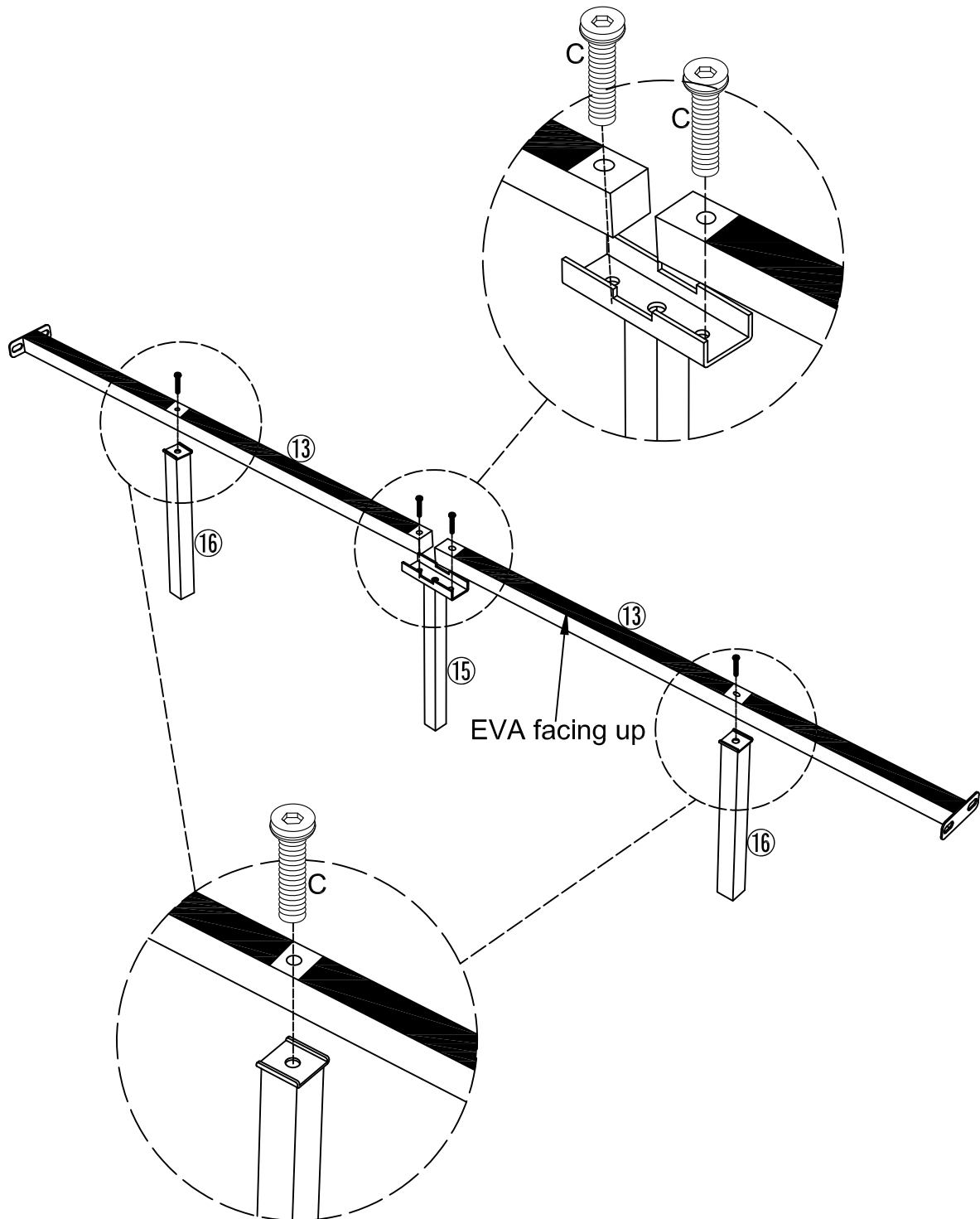


Step 1: Tighten Screw E  
to 50%

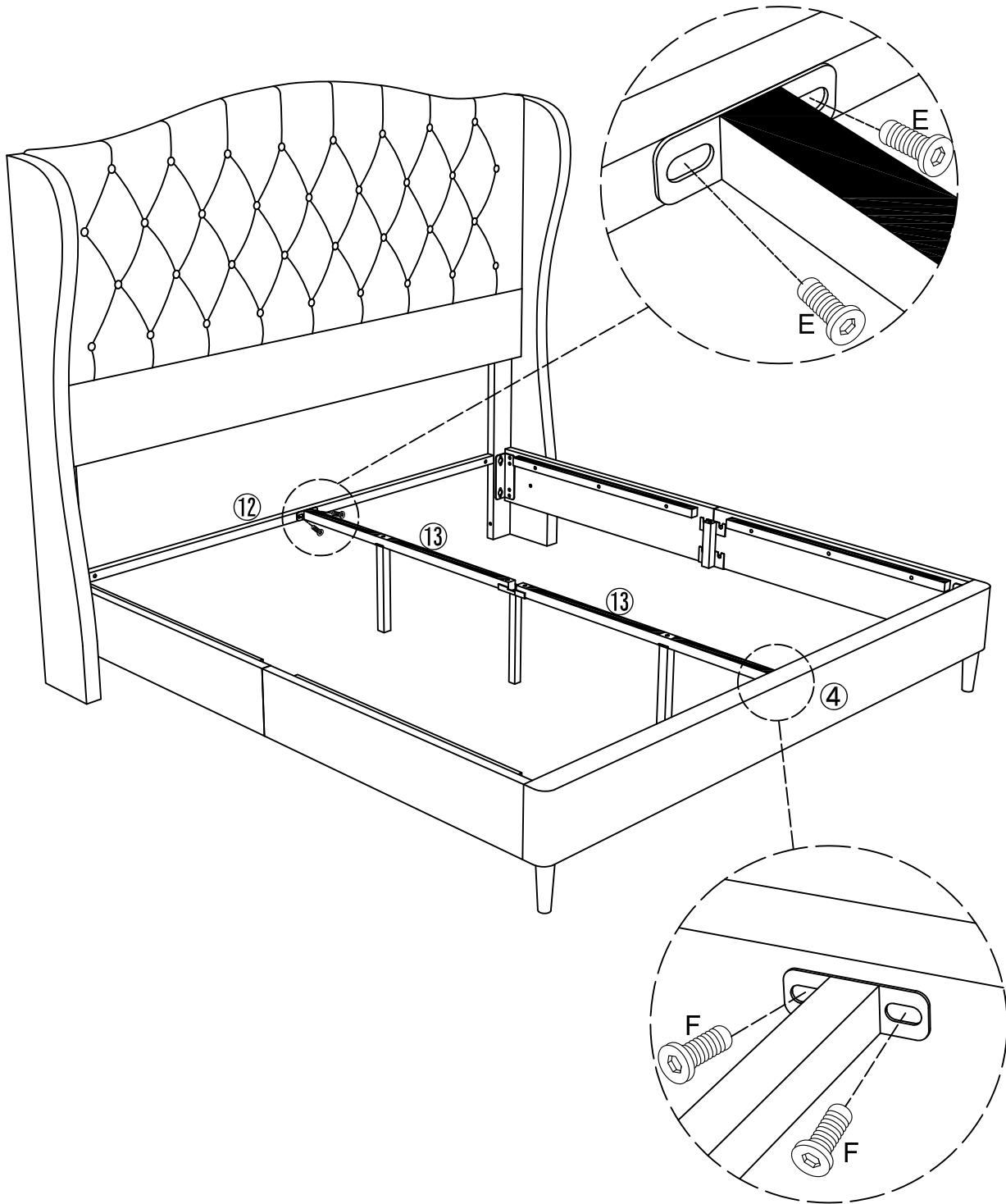






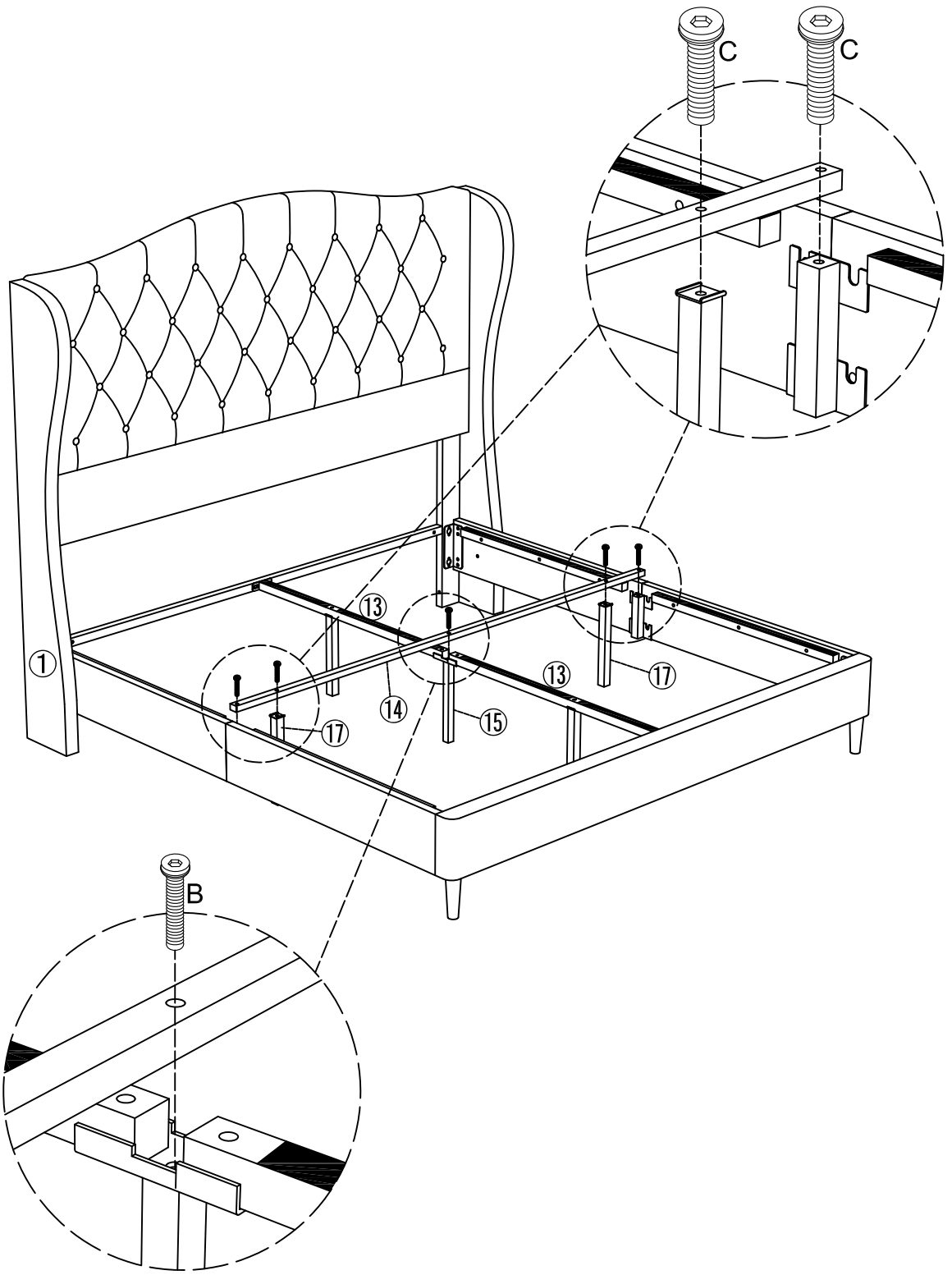
C	 M8x40	4
---	--	---



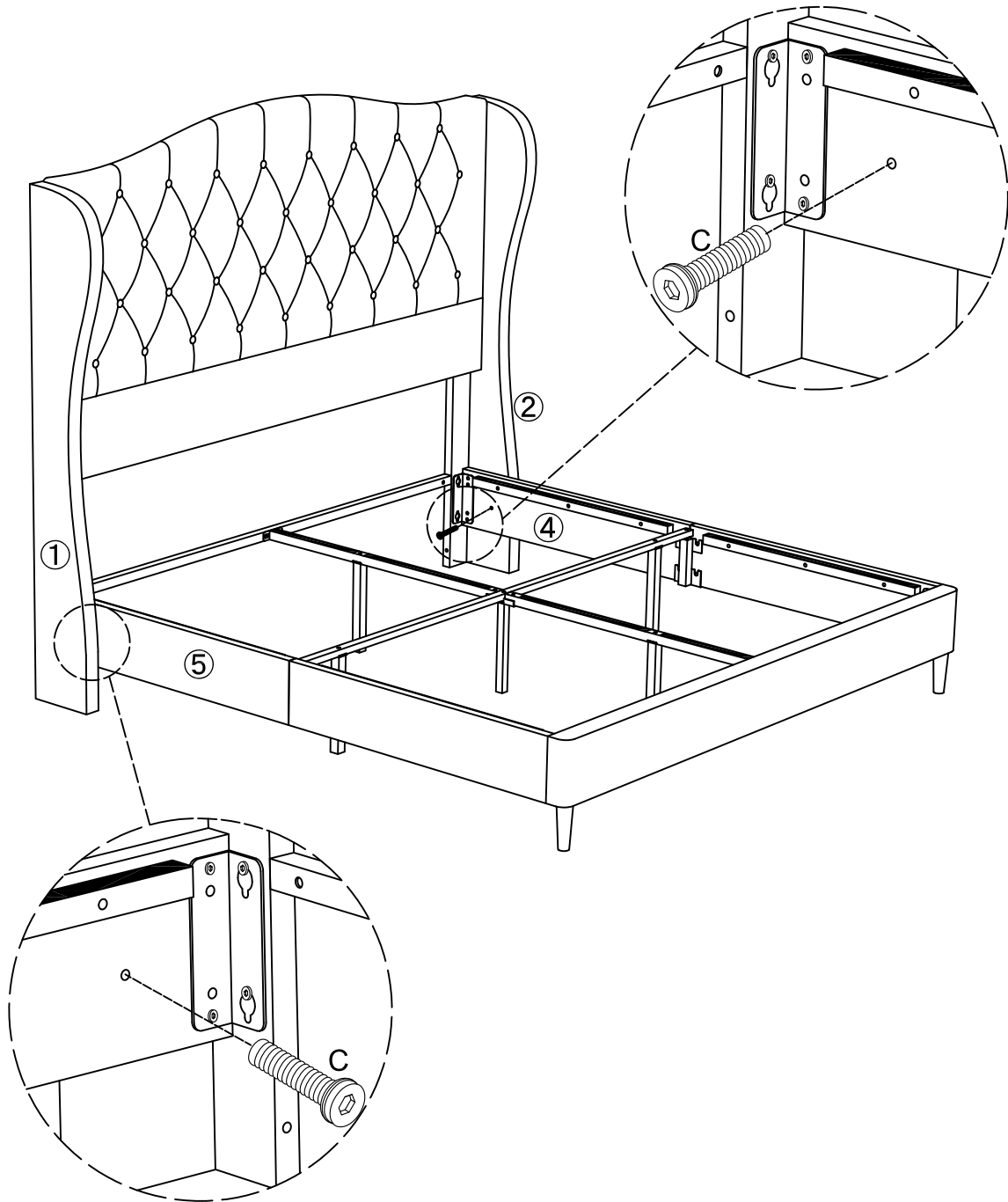
F	 M8x20	2	E	 M8x30	2
---	--	---	---	--	---

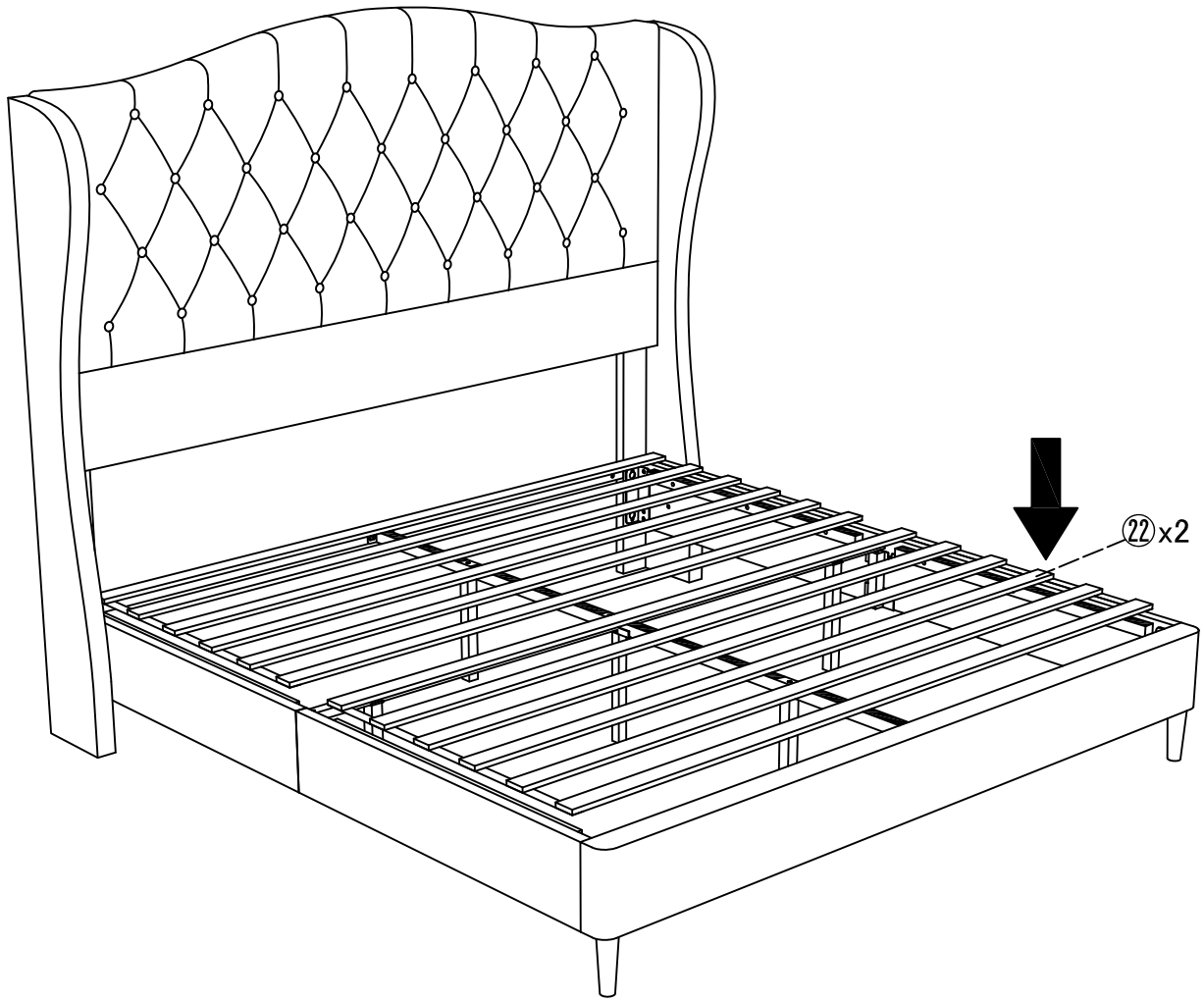


B	 M8x50	1	C	 M8x40	4
---	--	---	---	--	---

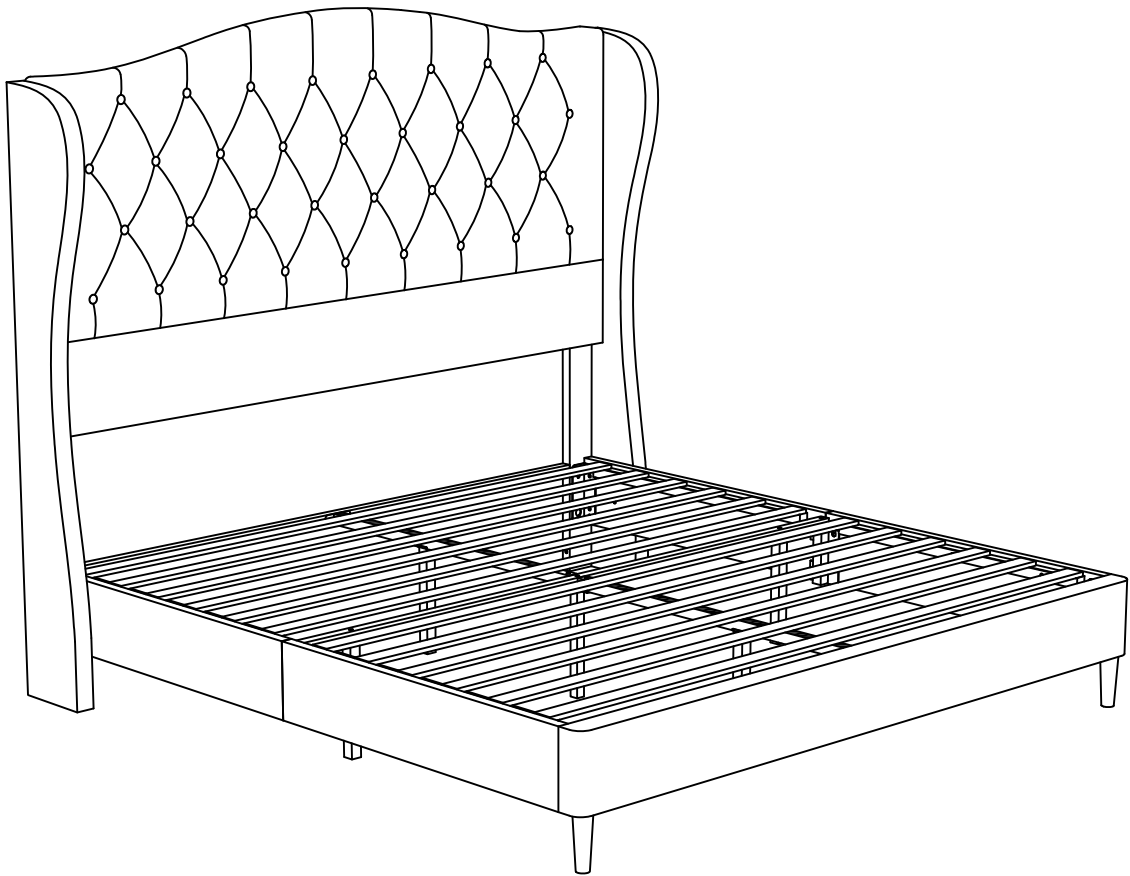


C	 M8x40	2
---	--	---



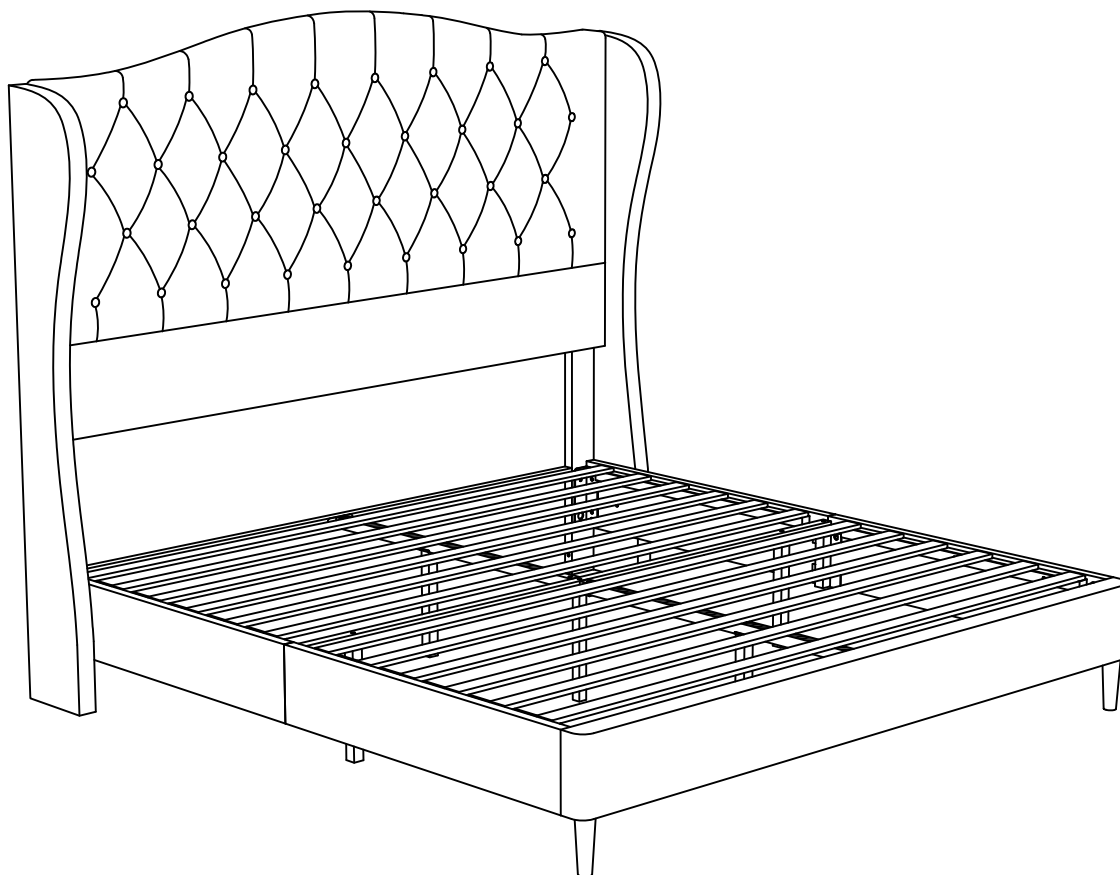


Tighten all screws to 100% after inspection.



## CONGRATULATIONS!

You have finished assembling the latest addition to your living space. We hope that the installation was smooth and enjoy using what is in front of you. May our product bring you much functional use in the days to come!



## **SAFETY FIRST, STYLE ALWAYS**

Thank you for choosing our products. To ensure safety and performance, please follow these instructions:

- **Assembly:** Carefully follow instructions and tighten all parts.
- **Intended Use:** Use furniture as intended and adhere to weight limits.
- **Handling:** Move gently and check for loose parts regularly.
- **Tipping:** Tall or unstable furniture may tip over if not secured, especially in homes with children or pets.
- **Overloading:** Exceeding weight limits can lead to collapse or damage.
- **Sharp Edges:** Handle furniture with sharp corners carefully, especially around children.

## **MAINTAINENCE & CLEANING TIPS**

- **Regular Cleaning:** Use a soft, dry cloth to wipe the surface of the bed frame regularly. Avoid harsh chemical cleaners.
- **Protect from Sunlight:** Keep the bed frame out of direct sunlight to prevent damage to the material and finish.

## **DON'T WORRY, WE'VE GOT YOUR BACK.**

We don't just sell furniture — we're here for the long haul! If you run into any issues due to manufacturing defects or material problems, we offer a 1-year warranty. That means we'll replace any faulty parts for free — no hassle.

Email: ServiceTeam86@outlook.com