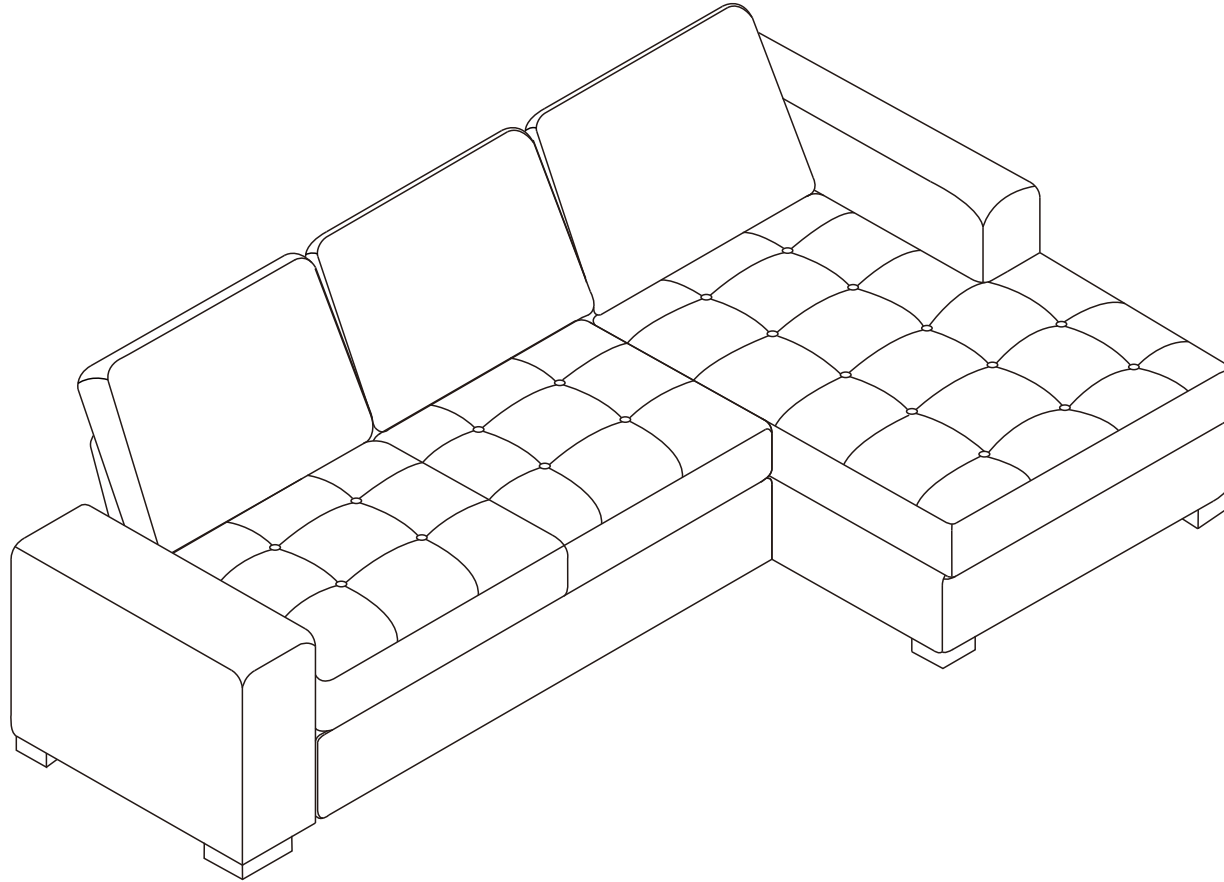


Combination Sofa

Assembly Instruction



1. There are 2 boxes of products, please do not further unpack and install before receiving the complete 2 boxes.
2. Assembly instructions (located in the Box1), hardware accessories (located in the Box1), please find all hardware accessories before installation.



Before Installation

Thank you for choosing our product! To ensure a smooth installation process, please read this guide carefully to familiarize yourself with the required tools, materials, and installation steps. Follow the relevant sections to avoid any damage caused by improper installation, and make sure to review all operation and safety guidelines for correct installation procedures.

Installation Information

- All information in this guide is based on the product's condition at the time of printing. We reserve the right to modify product features, packaging, or availability without prior notice.
- Before installing the furniture, ensure that all necessary electrical or environmental preparations are completed.
- This manual contains important instructions on installation, cleaning, and maintenance. Please read it thoroughly and keep it for future reference.

Pre-Installation Checklist

1. Carefully inspect the new product for any damage or defects.
2. Ensure installation is carried out on a clean, flat surface to maintain balance and stability.
3. Avoid prolonged exposure of the product to damp environments or direct sunlight.
4. Handle with care during installation. Use protective materials (e.g., soft pads) to prevent scratches.
5. For any questions or technical support, refer to the customer service guide and contact the seller's customer service.

Usage and Maintenance Recommendations

1. Clean furniture regularly to maintain hygiene and prevent bacteria growth. Use a damp cloth that has been wrung out to avoid scratching the finish.
2. Avoid contact with acidic or alkaline corrosive liquids.
3. Do not use unauthorized replacement parts. For replacement parts, contact the manufacturer or distributor.
4. Do not machine wash or rinse any part of this product with water.



Safety Warnings

1. Warning Labels:

Do not remove warning labels on the product or packaging, and always follow the related instructions.

2. Regular Inspections:

Regularly check all parts of the product to ensure they are correctly installed, undamaged, and all connectors are securely tightened.

3. Safe Use:

Do not play on or under the sofa, and strictly avoid jumping or any actions that may harm the sofa or users.

4. Rope Hazard:

Do not attach ropes, hooks, straps, or other unintended items to any part of the product.

5. Guide Preservation:

Retain this manual for future reference.

6. Supervisory Responsibility:

Safety is a shared responsibility between the manufacturer and the user. Always adhere to safety guidelines when using the product.

Disclaimer

We are committed to providing safe and reliable products. If you have any questions about this product or require additional support, please contact our customer service team. We are here to assist you.



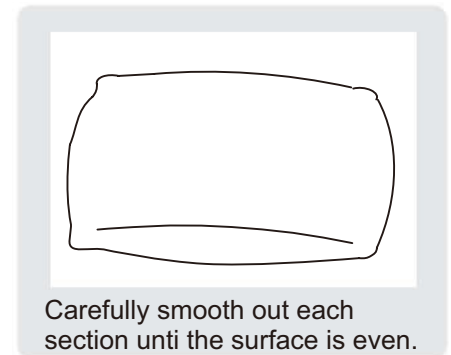
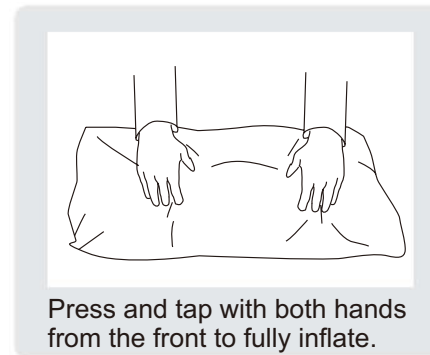
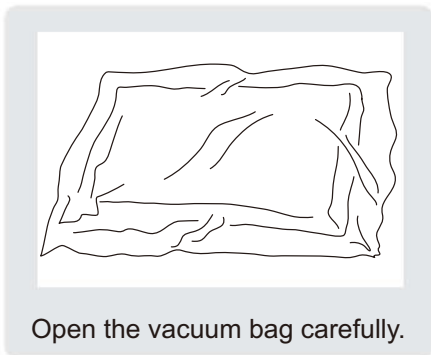
Safety and Care Advice

Important - Please read these instructions fully before starting assembly

Thanks for your purchase. Before assembling, please follow the instructions to check if all the spare parts and screws are intact.

- Considering the size and weight of the sofa, we recommend two adults to assemble the sofa, on a carpeted or padded area, in the room that it is intended for. Approximate assembly time: 1.5-2 hours.
- Keep all components and packaging out of reach of children or animals to avoid the risk of choking or suffocation.
- Please do not throw away any of the packaging or the instruction until all the components and hardware have been checked and the furniture is fully assembled. Please ensure that the packaging is disposed in a safe and environmentally friendly way.
- Please do not take off the cover, and do not wash.

Your cushions come vacuum packed and sealed for shipping. To restore the cushion's original shape, follow the steps below.



After packing up, place them somewhere dry and ventilated. After about 72-96 hours, it can be restored to the best-use condition.

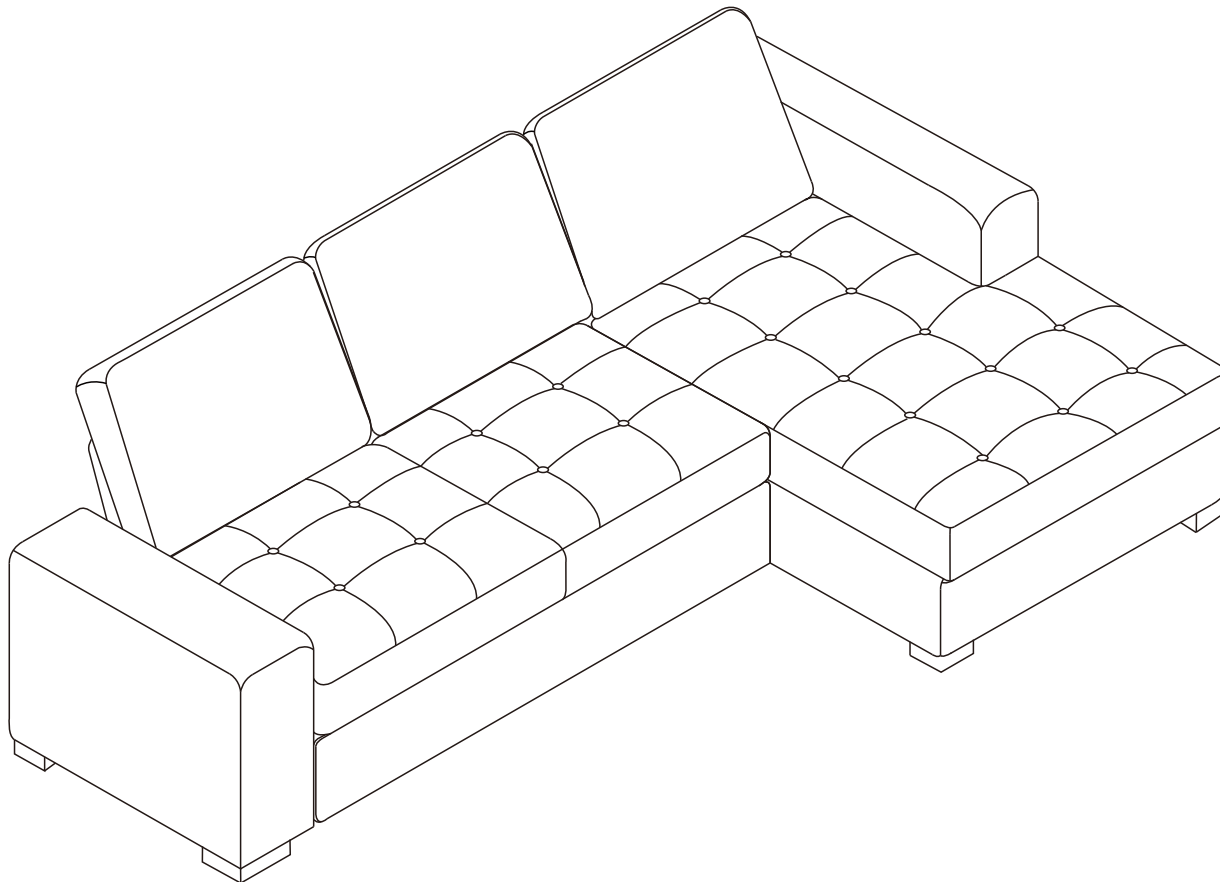
Sleep Sofa

Assembly Instructions - Please keep for reference

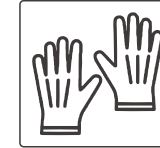


Note:

Delivered with **TWO PACKAGES** with **TWO TRACKINGS**, may **NOT** be delivered at the same time.



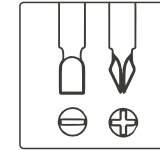
2 people needed



Work gloves



Tape measure



Other Tools Required
Phillips Screwdriver
(Not Included)

! SIMPLE ASSEMBLY STEPS

1. Read the manual carefully.
2. Check all parts and hardware.
3. Prepare necessary tools.
4. Have at least two adults for assembly.

Please follow the instructions and use a sanitary napkin to protect the product during your assembly process.

Note:

1. The assembly should be done on a flat surface to maintain balance.
2. Do not tighten the screws before the assembly is complete. To make the assembly process easier and better, two or more adults are needed.

Important - Please read these instructions fully before starting assembly

CUSTOMER SERVICE GUIDE

Thank you for choosing our product! We are committed to providing you with excellent service. If you find any missing parts, damaged packaging, or product damage after receiving all packages, please follow the steps below to quickly contact our customer service team. We will do our best to resolve your issue.

1. Missing Parts

Verify Parts:

1. Refer to the “Parts List” in the manual to verify the name, specifications, and quantity of the missing parts.
2. Take a clear photo of the parts list and mark the missing parts with detailed information, e.g., “Missing 5 pieces of M6x30mm screws.”

Contact Us:

- A description of the missing parts and a photo of the parts list.
- Order details (order number, purchase platform, purchase date).

2. Product or Packaging Damage

If it affects normal use:

Steps:

Take clear photos or videos showing the damaged parts and the extent of the damage (multi-angle shots are recommended).

Resolution:

After verification, we will arrange for a replacement part, product exchange, or refund as quickly as possible.

If it does not affect normal use:

Steps:

Provide a description of the damage and include relevant photos or videos.

Resolution:

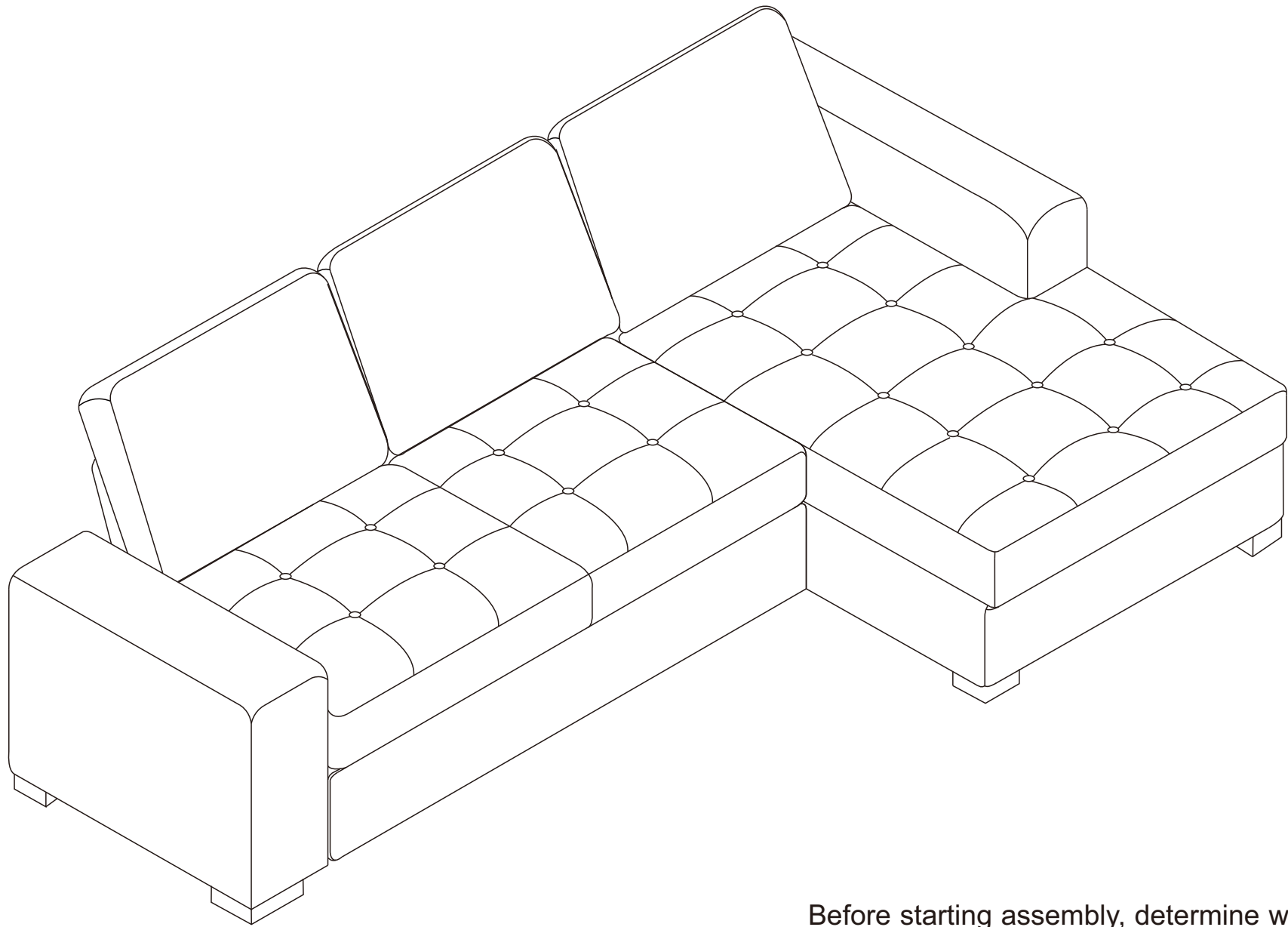
We will provide repair guidance or an appropriate compensation plan based on the specific situation.

Helpful Tips

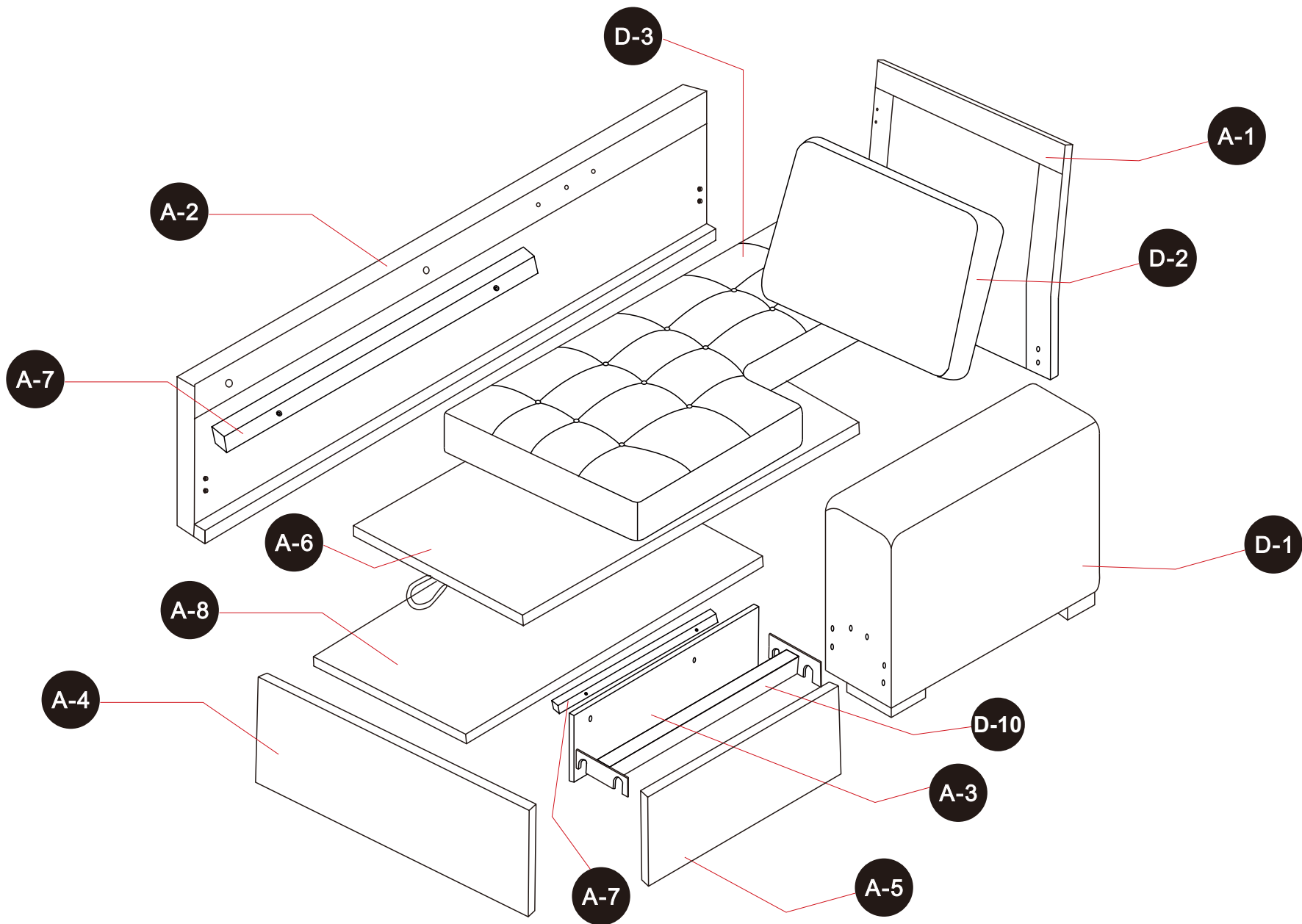
To process your issue efficiently, please prepare the following information:

- Order details (order number, purchase platform, purchase date).
- Clear photos or videos.
- We are committed to providing quick and professional solutions, no matter the size of the issue, to ensure your satisfaction.

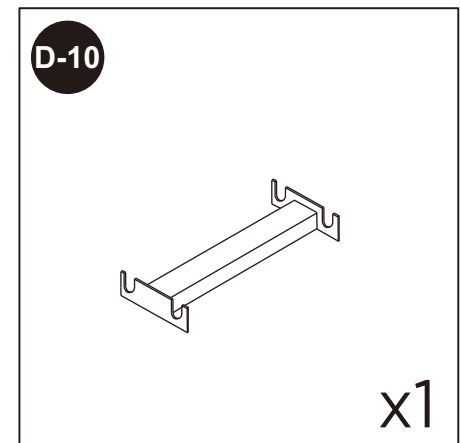
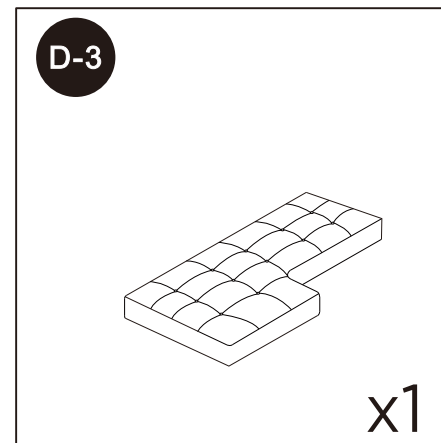
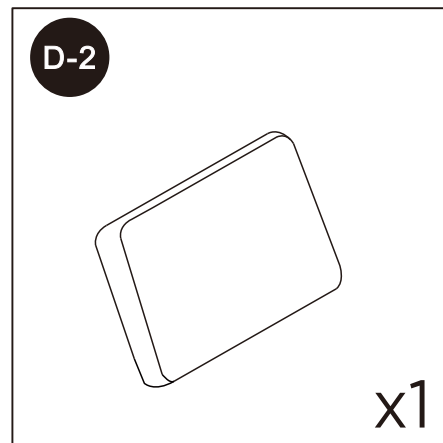
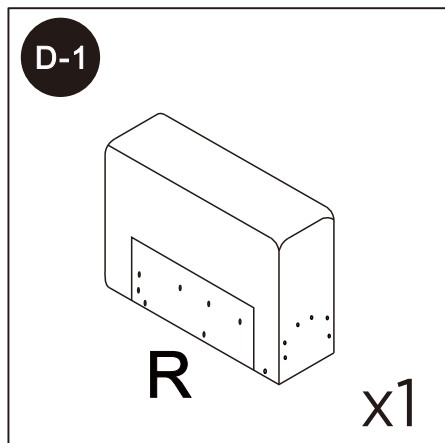
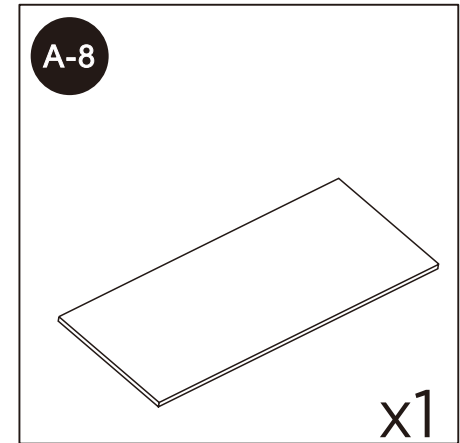
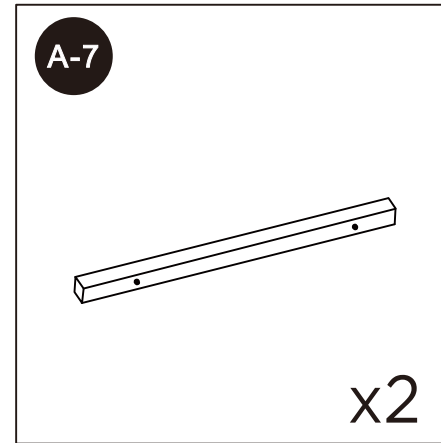
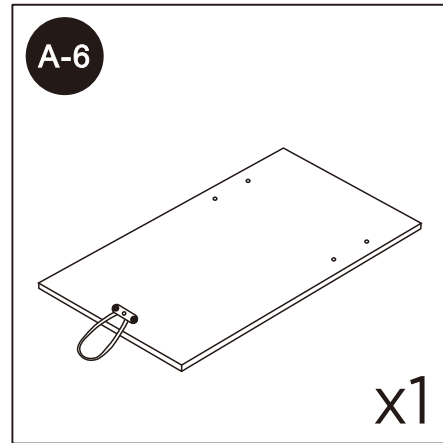
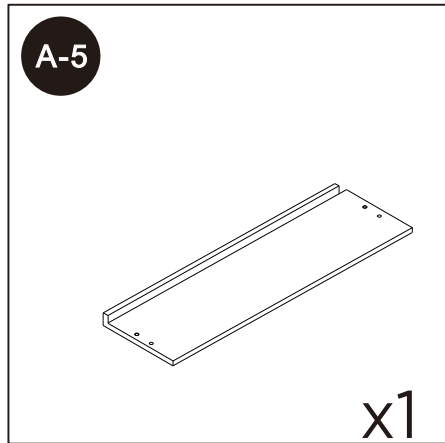
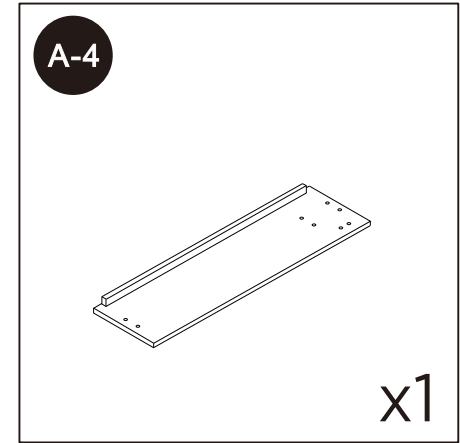
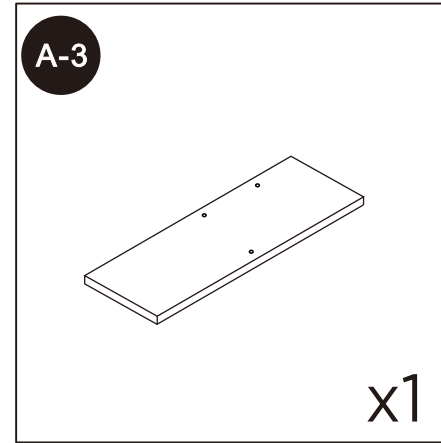
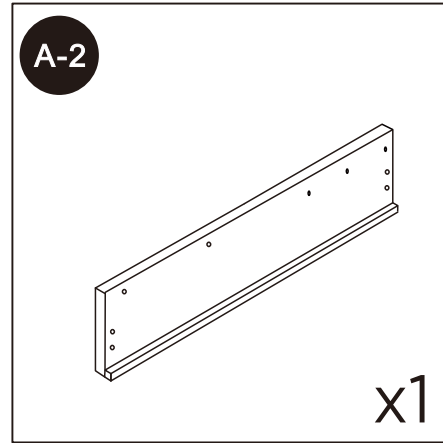
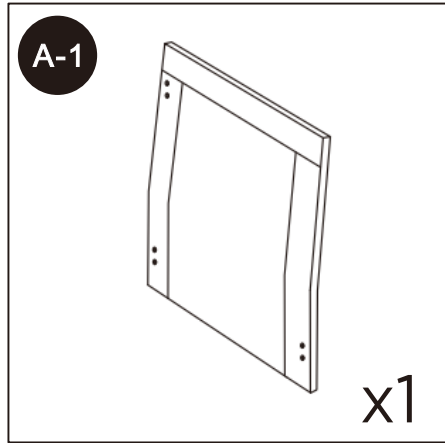
Thank you for your trust and support! We hope you enjoy using our product!



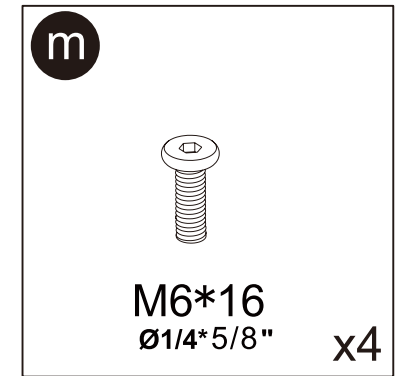
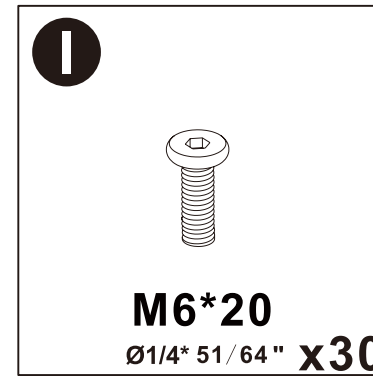
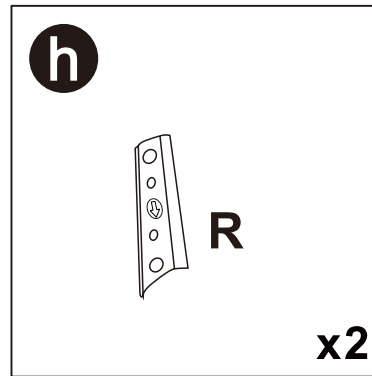
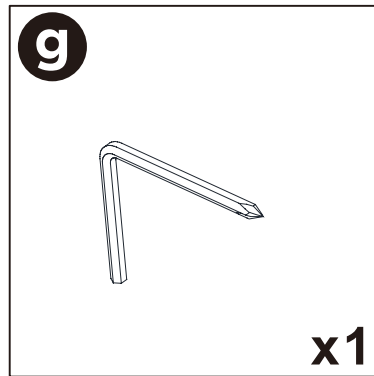
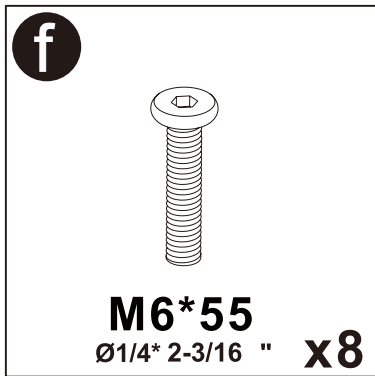
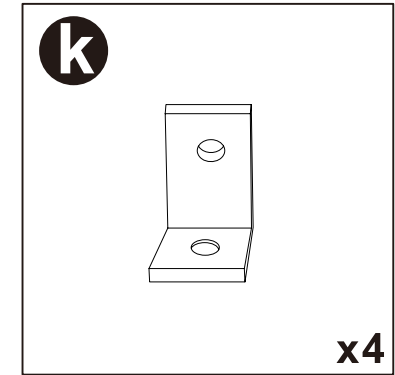
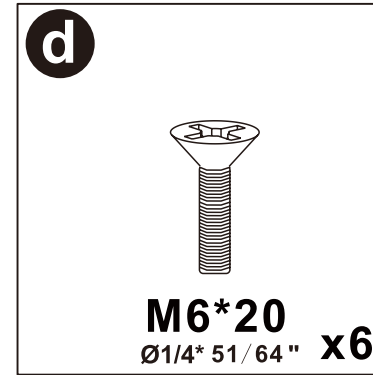
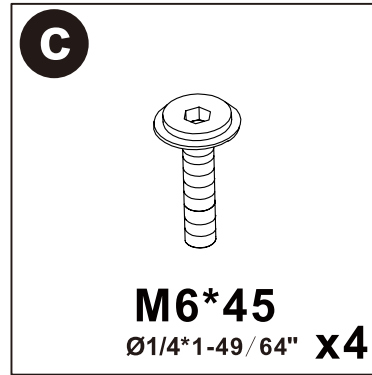
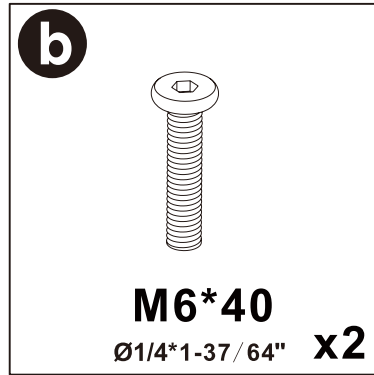
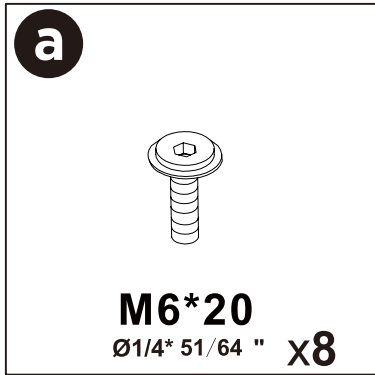
Before starting assembly, determine where the sofa will be placed and the orientation you want it to be.



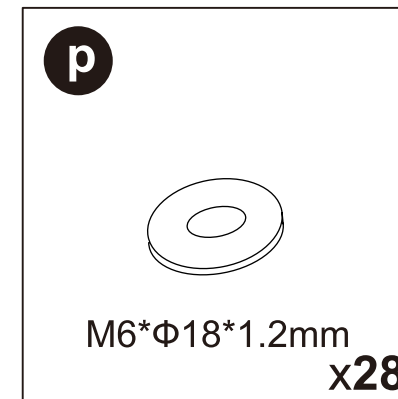
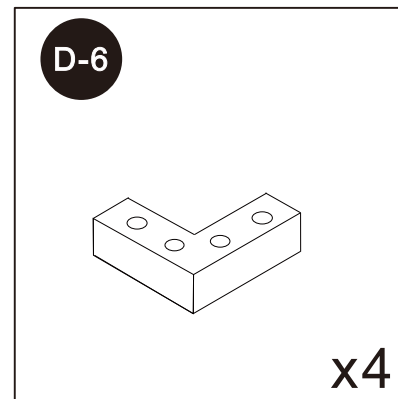
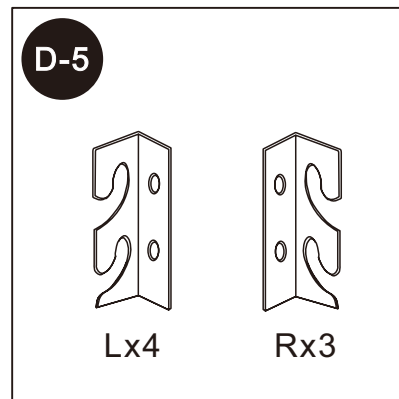
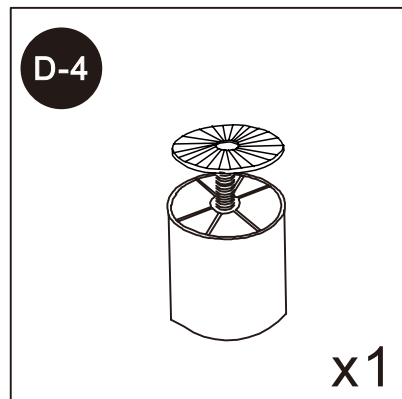
Main structure accessories



Hardware parts

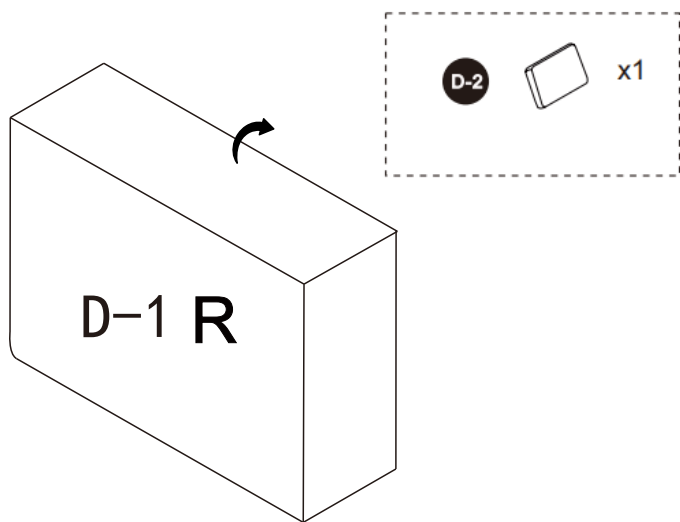


Structural accessories



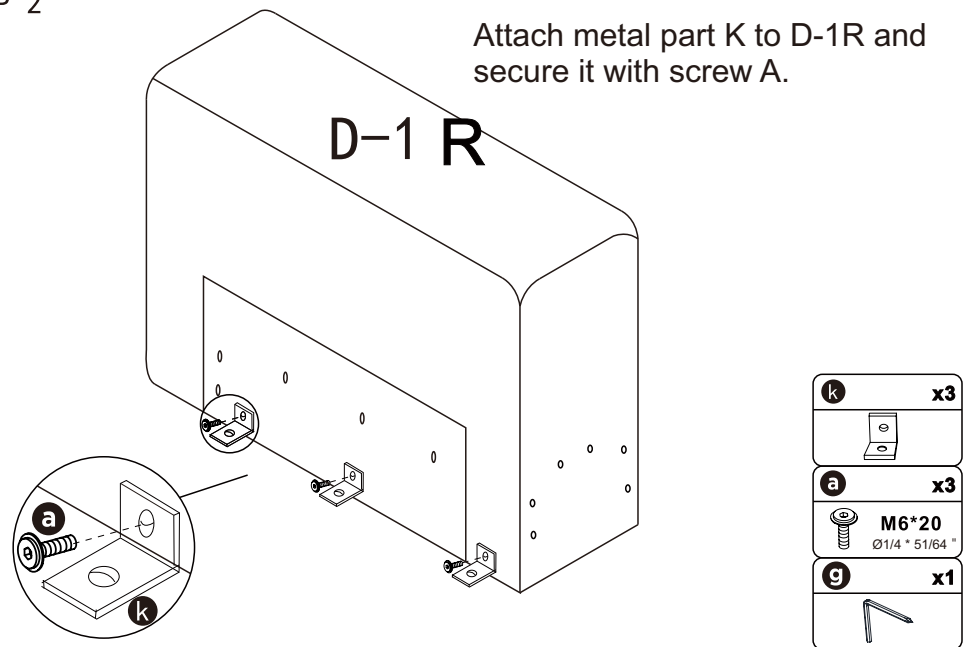
STEP 1

Take out part D-2 (1 pieces) from D-1R.



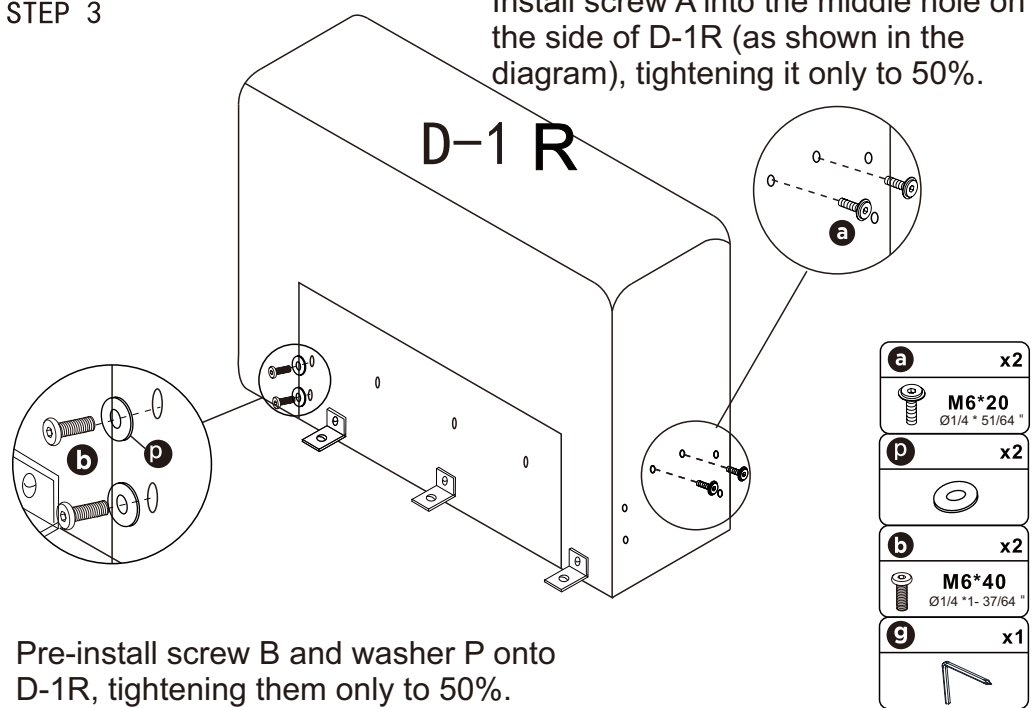
STEP 2

Attach metal part K to D-1R and secure it with screw A.



STEP 3

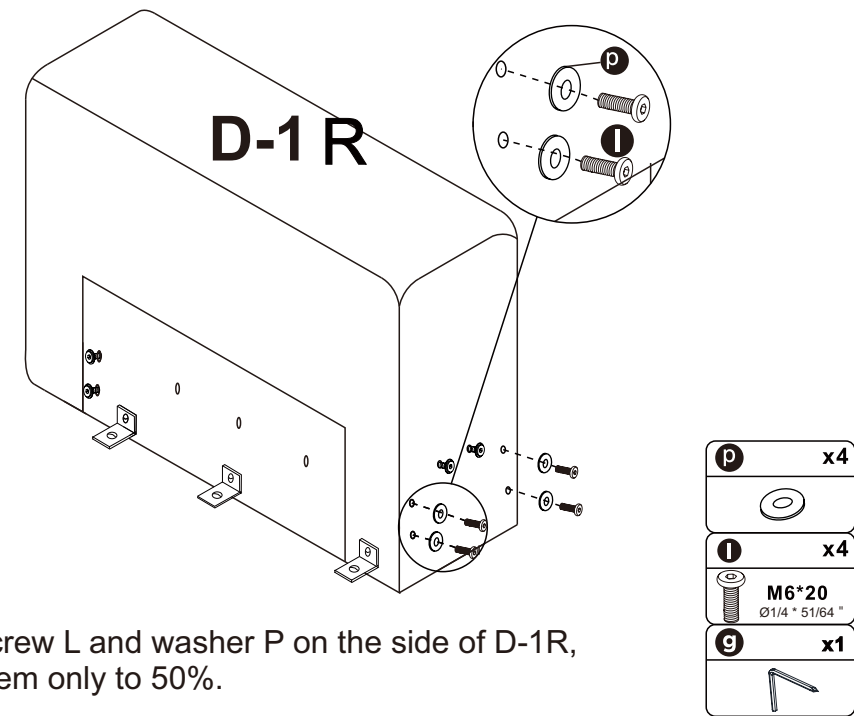
Install screw A into the middle hole on the side of D-1R (as shown in the diagram), tightening it only to 50%.



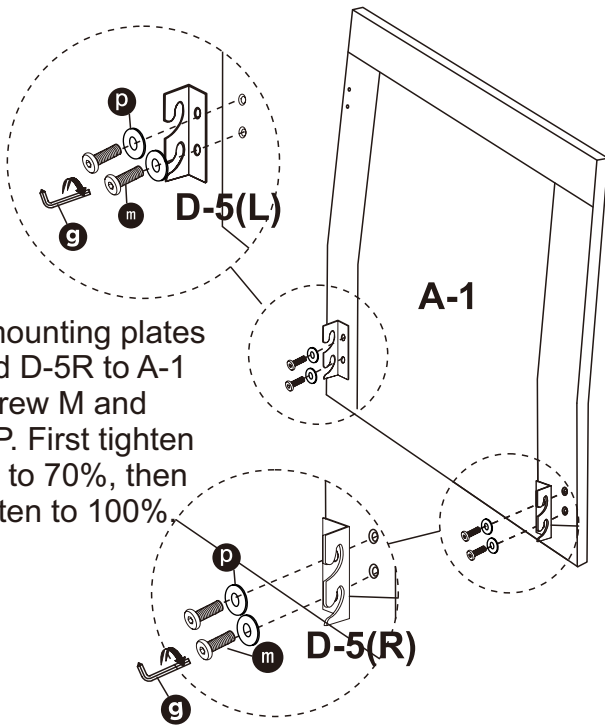
Pre-install screw B and washer P onto D-1R, tightening them only to 50%.

STEP 4

Pre-install screw L and washer P on the side of D-1R, tightening them only to 50%.



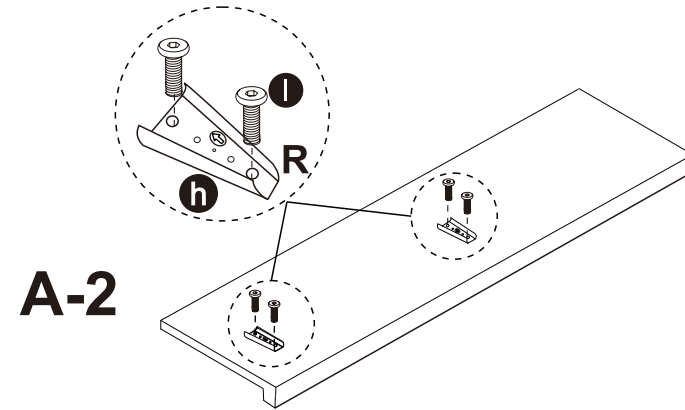
STEP 5



Attach mounting plates D-5L and D-5R to A-1 using screw M and washer P. First tighten screw M to 70%, then fully tighten to 100%.

p	x4
m	x4
	M6*16 Ø1/4" * 5/8"
D-5	x1
	Lx1
D-5	x1
	Rx1
g	x1

STEP 6

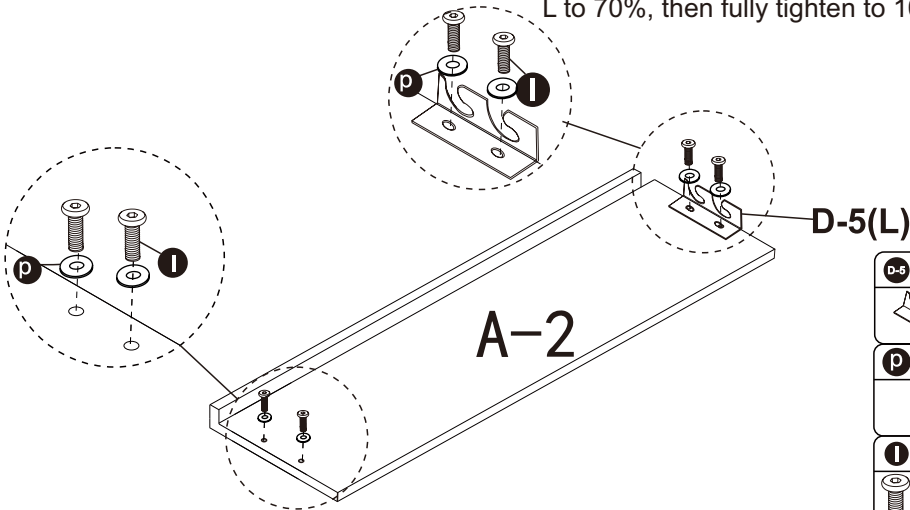


Attach H-R to A-2 using screw I. First tighten screw I to 70%, then fully tighten.

h	x2
	R
l	x4
	M6*20 Ø1/4" * 51/64"
g	x1

STEP 7

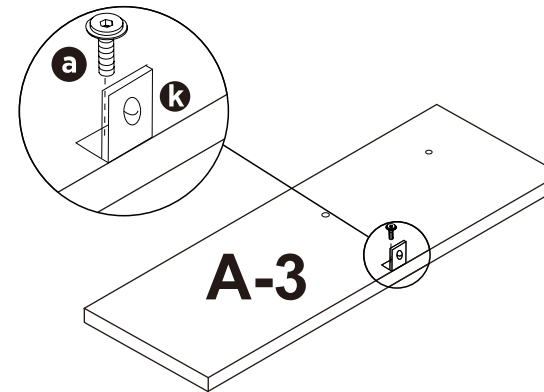
Attach mounting plate D-5L to A-2 using screw L and washer P. First tighten screw L to 70%, then fully tighten to 100%.



Pre-install screw I and washer P onto A-2, tightening them only to 50%.

D-5	x1
	Lx1
p	x4
l	x4
	M6*20 Ø1/4" * 51/64"
g	x1

STEP 8

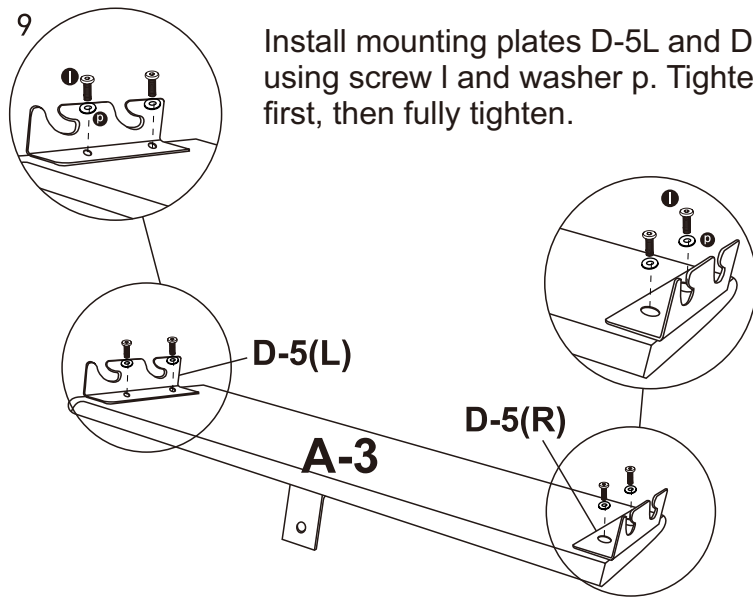


Attach metal plate K to A-3 (note that the shorter side of the metal plate should be fixed to A-3), and secure it with screw A.

k	x1
a	x1
	M6*20 Ø1/4" * 51/64"
g	x1

STEP 9

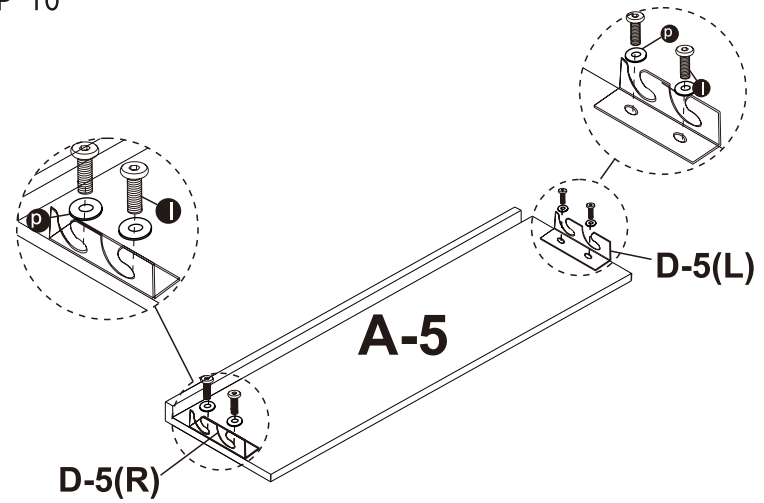
Install mounting plates D-5L and D-5R on A-3 using screw I and washer p. Tighten to 70% first, then fully tighten.



D-5	x1
	Lx1
D-5	x1
	Rx1
p	x4
I	x4
	M6*20 Ø1/4 * 51/64 "
g	x1

STEP 10

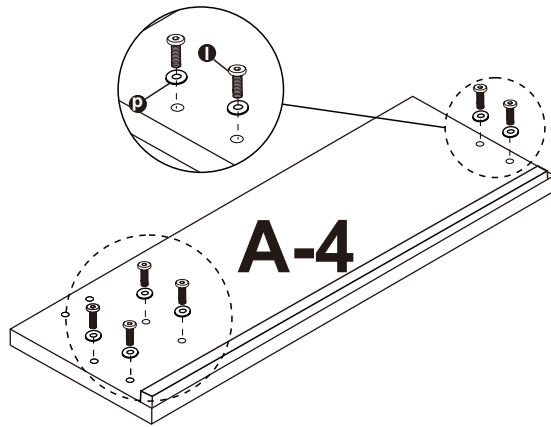
Install mounting plates D-5L and D-5R onto A-5 using screw I and washer p. Tighten screw I to 70% first, then fully tighten.



p	x4
I	x4
	M6*20 Ø1/4 * 51/64 "
D-5	x1
	Lx1
D-5	x1
	Rx1
g	x1

STEP 11

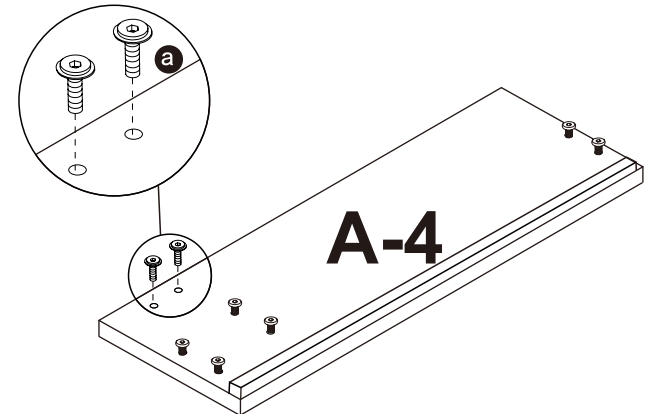
Pre-install screw I and washer p onto A-4, and tighten only to 50%.



p	x6
I	x6
	M6*20 Ø1/4 * 51/64 "
g	x1

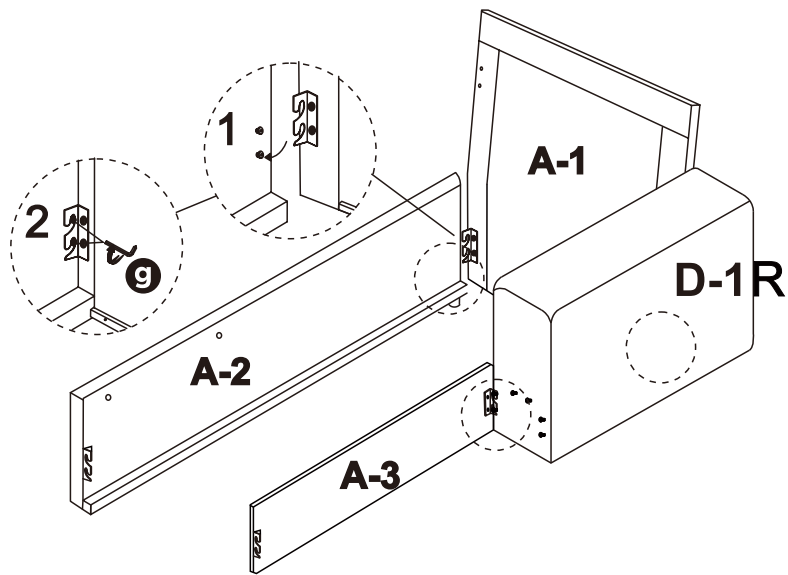
STEP 12

Pre-install screw a onto A-4, and tighten only to 50%.



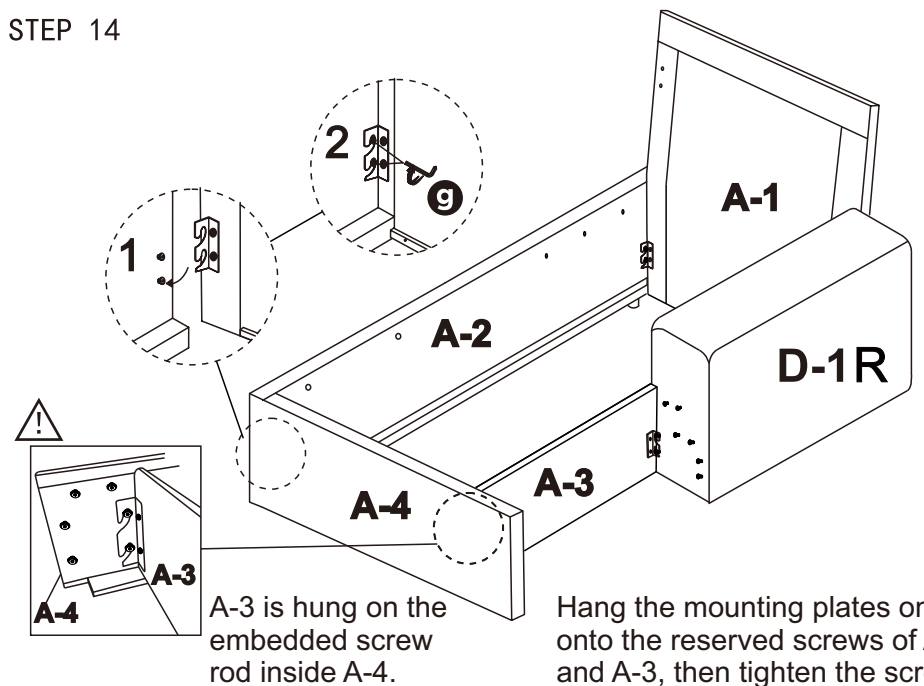
a	x2
	M6*20 Ø1/4 * 51/64 "
g	x1

STEP 13



Hang the mounting plates on A-1 onto the reserved screws of A-2 (with the crossbar facing inward) and D-1R, then tighten the screws. Hang the mounting plates on A-3 (with the L-shaped metal plate facing inward) onto the reserved screws of D-1R, and tighten the screws.

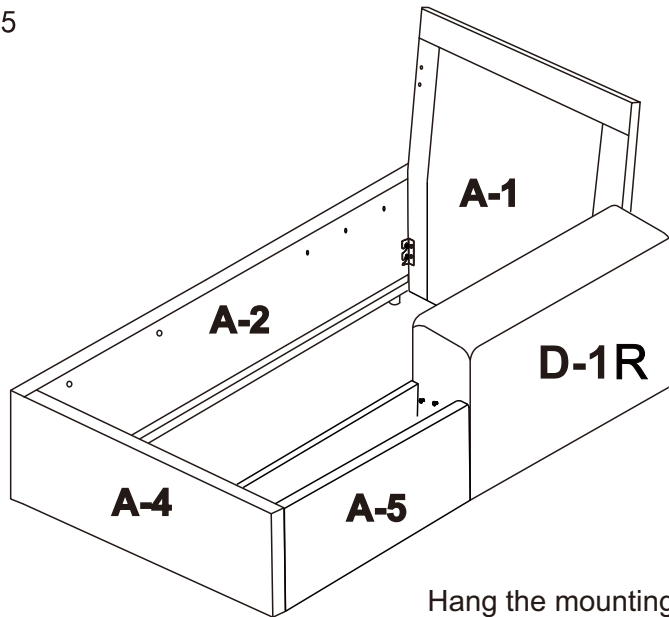
STEP 14



A-3 is hung on the embedded screw rod inside A-4.

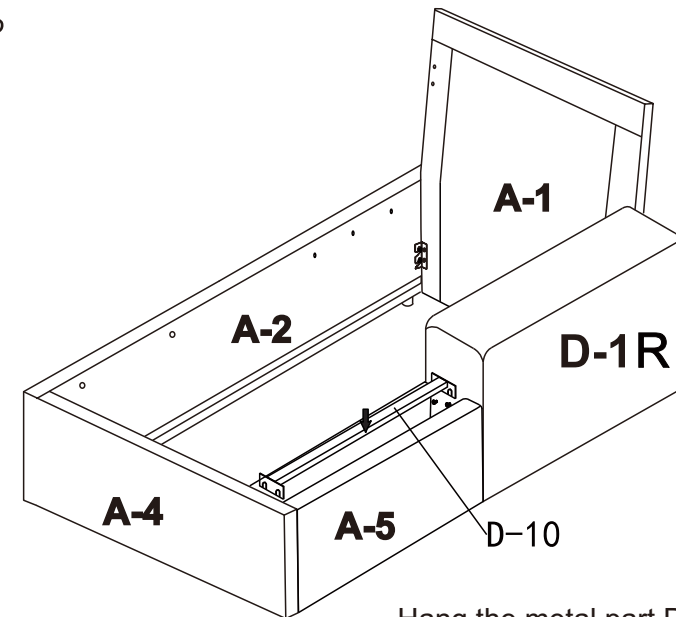
Hang the mounting plates on A-4 onto the reserved screws of A-2 and A-3, then tighten the screws.

STEP 15



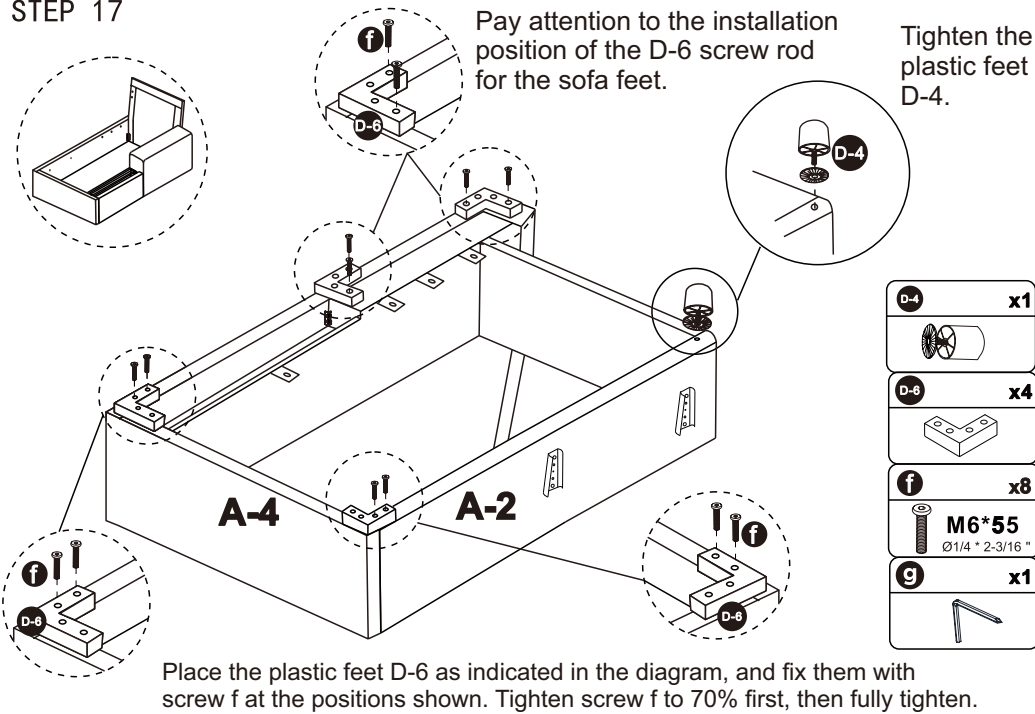
Hang the mounting plates on A-5 (with the crossbar facing inward) onto the reserved screws of A-4 and D-1R, then tighten the screws.

STEP 16

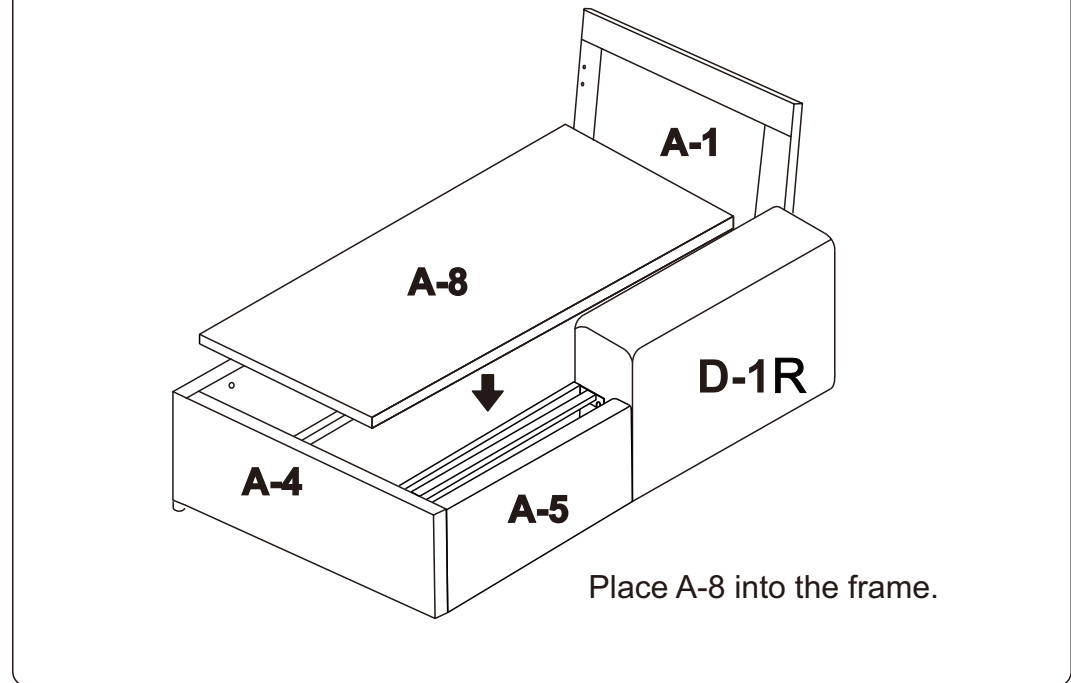


Hang the metal part D-10 onto the reserved screws of A-4 and D-1R, and tighten the screws.

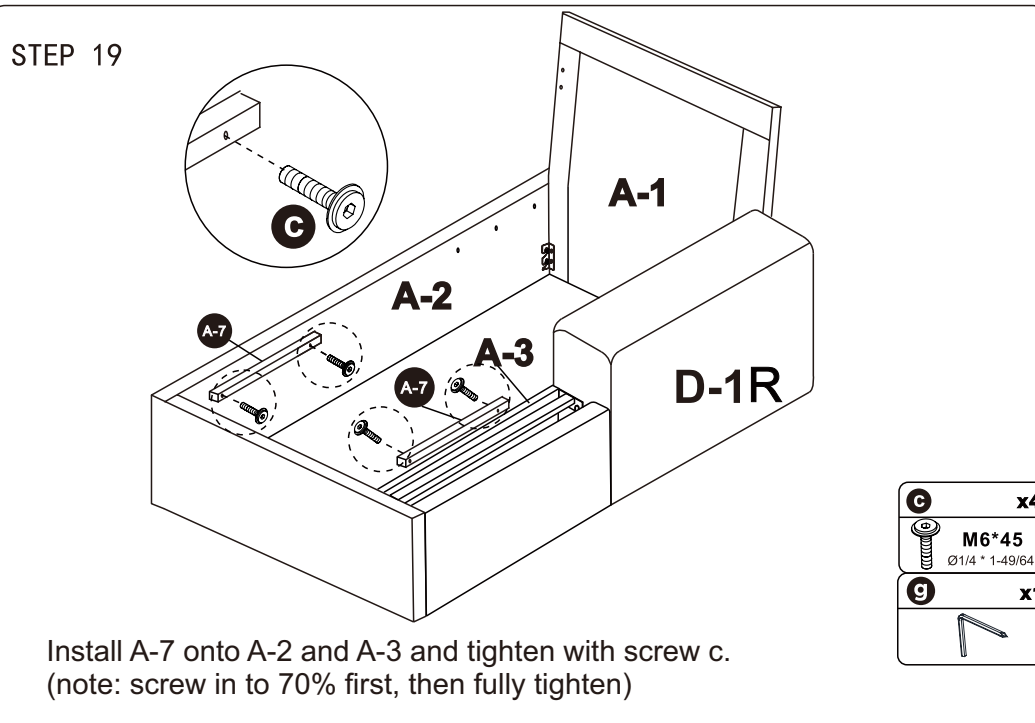
STEP 17



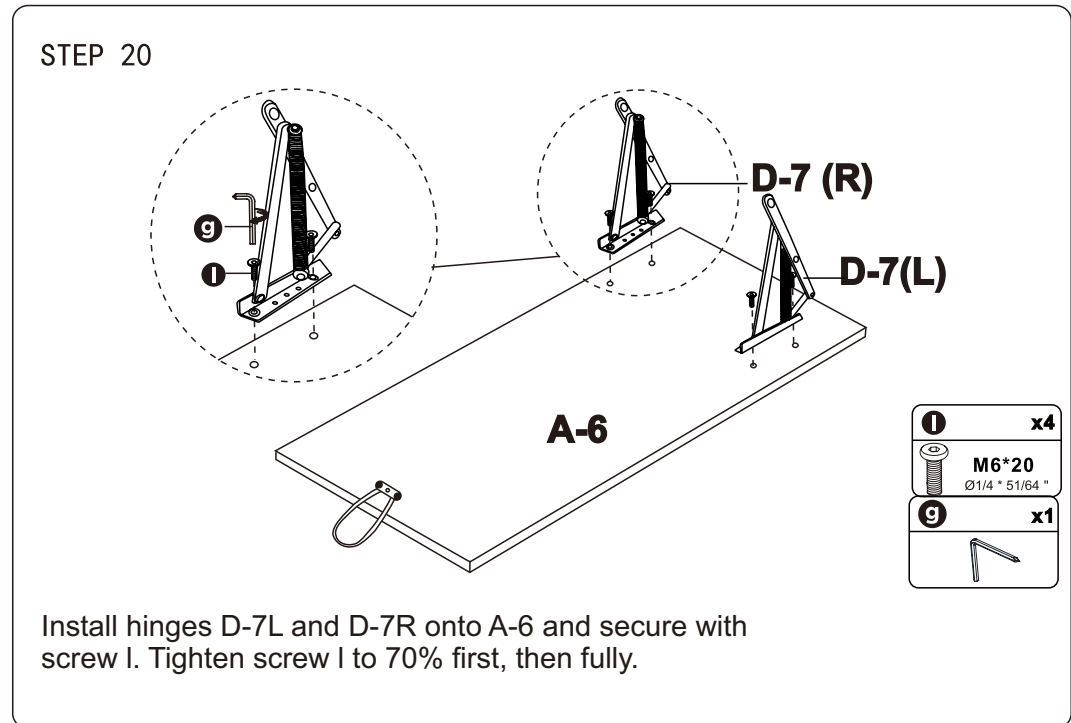
STEP 18



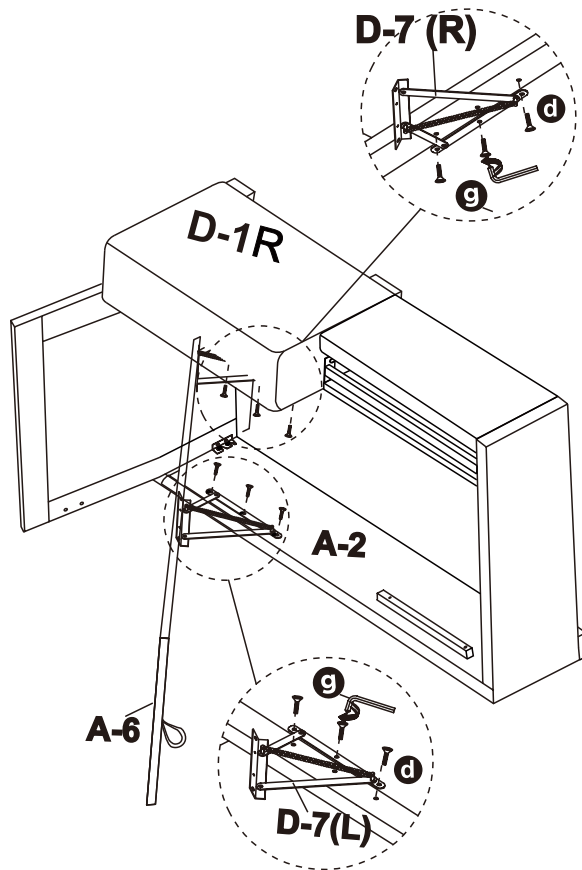
STEP 19



STEP 20



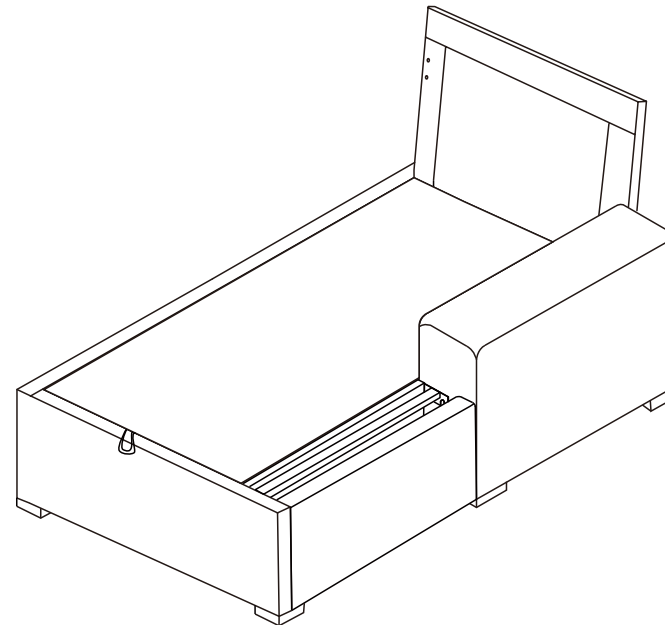
STEP 21



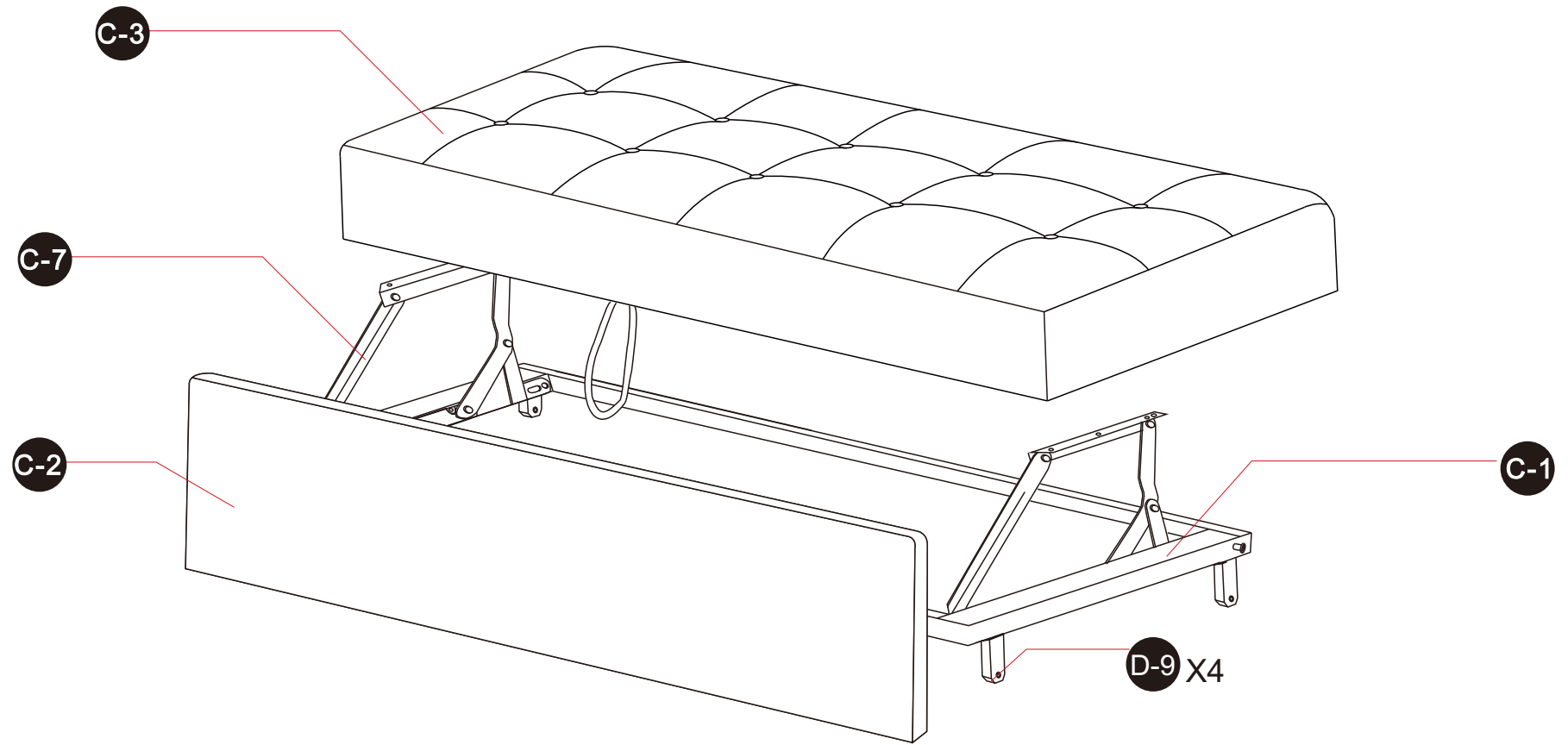
Connect hinge D-7L to A-2 and hinge D-7R to D-1R, and fix them with screw d. Tighten screw d to 70% first, then fully tighten.



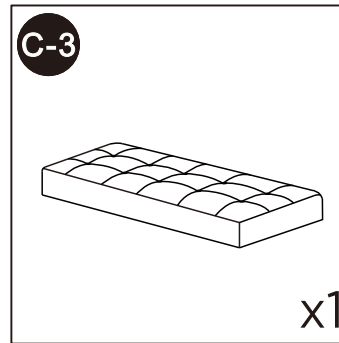
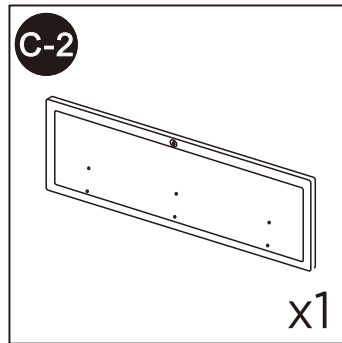
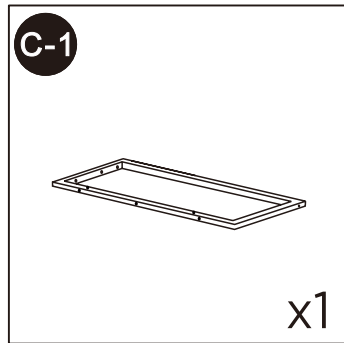
STEP 22



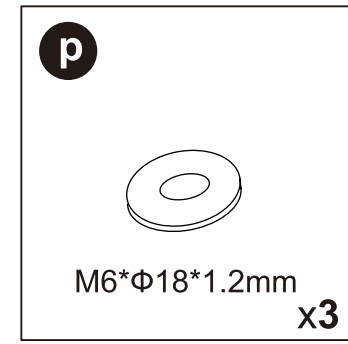
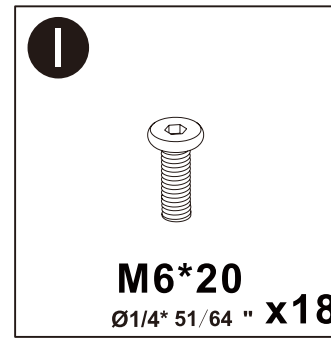
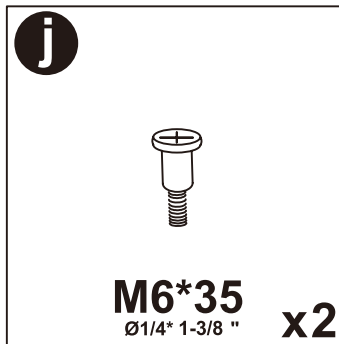
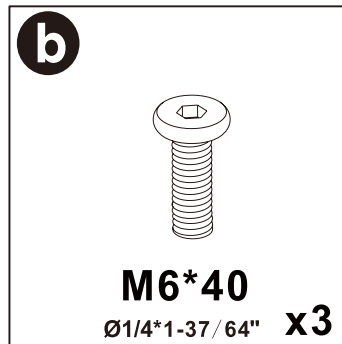
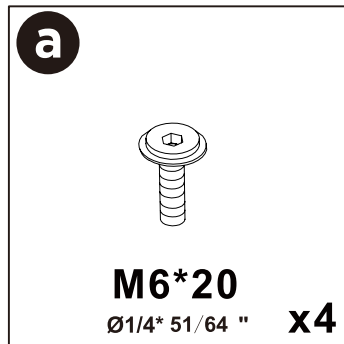
Chaise frame assembly complete.



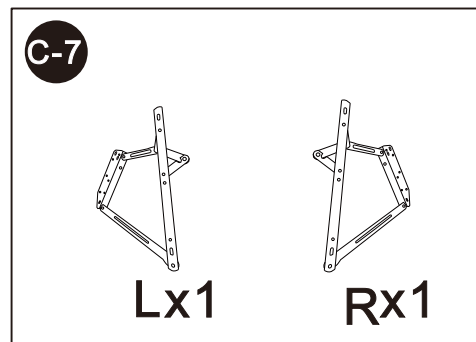
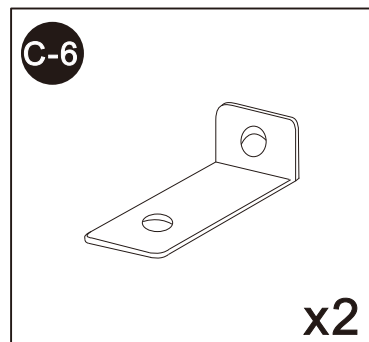
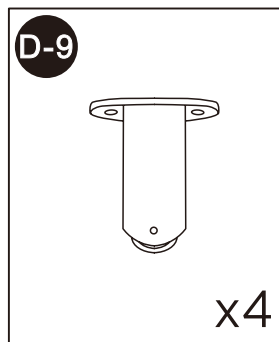
Main structure accessories



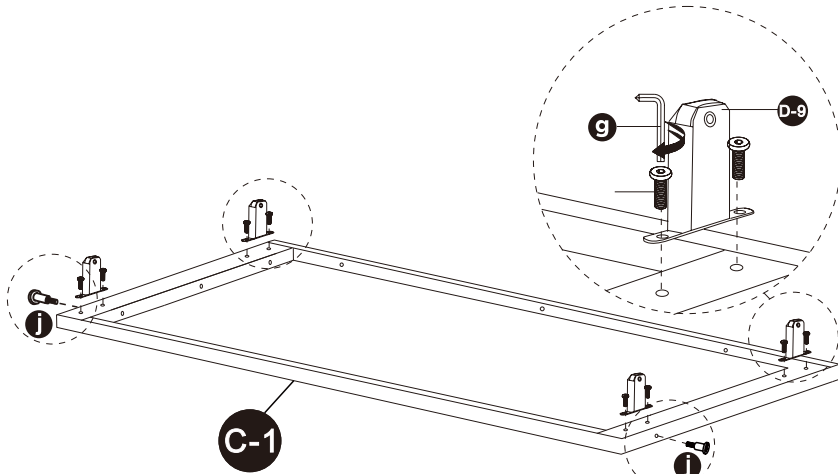
Hardware parts



Structural accessories



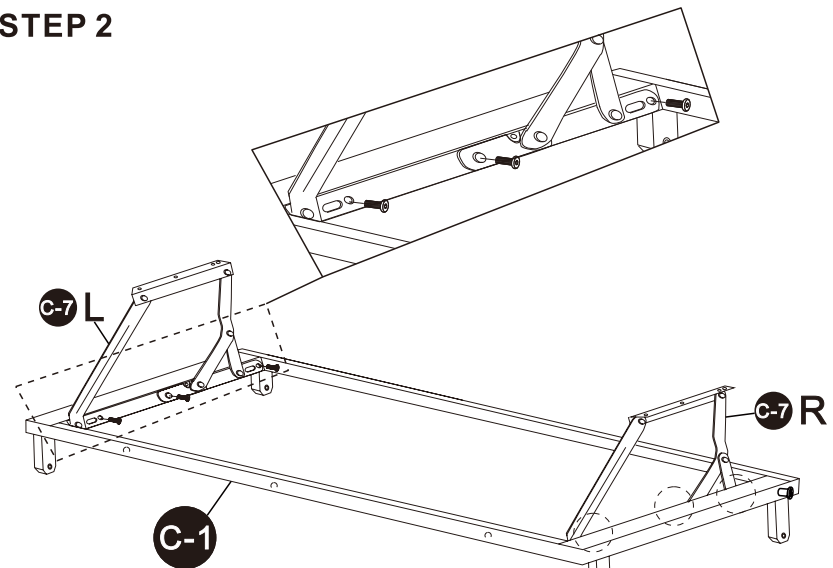
STEP 1



j	x2
	M6*35 Ø1/4" * 1-3/8"
D-9	x4
l	x8
	M6*20 Ø1/4" * 5/16"
g	x1

Install D-9 onto C-1 and fix it with screw l. Tighten screw l to 70% first, then fully tighten.
Install screw j in the position shown in the diagram and tighten it.

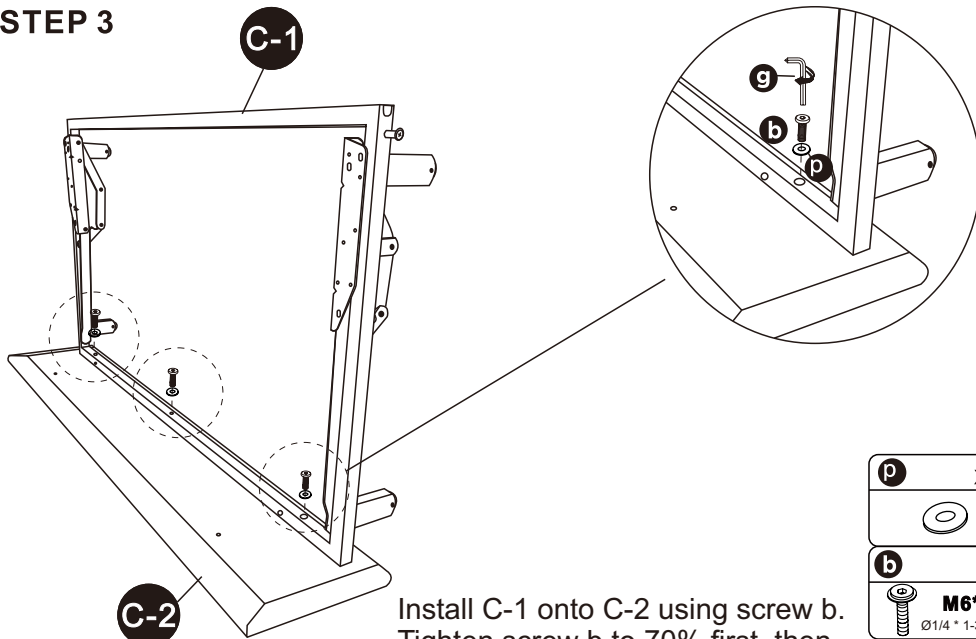
STEP 2



C-7	Lx1 Rx1
l	x6
	M6*20 Ø1/4" * 5/16"
g	x1

Install C-7L and C-7R onto C-1 using screw l. Tighten screw l to 70% first, then fully tighten.

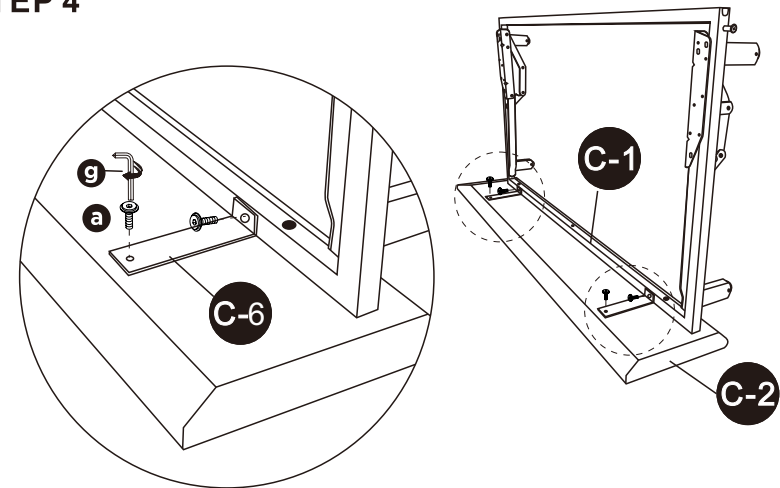
STEP 3



p	x3
b	x3
	M6*40 Ø1/4" * 1-3/8"
g	x1

Install C-1 onto C-2 using screw b. Tighten screw b to 70% first, then fully tighten.

STEP 4

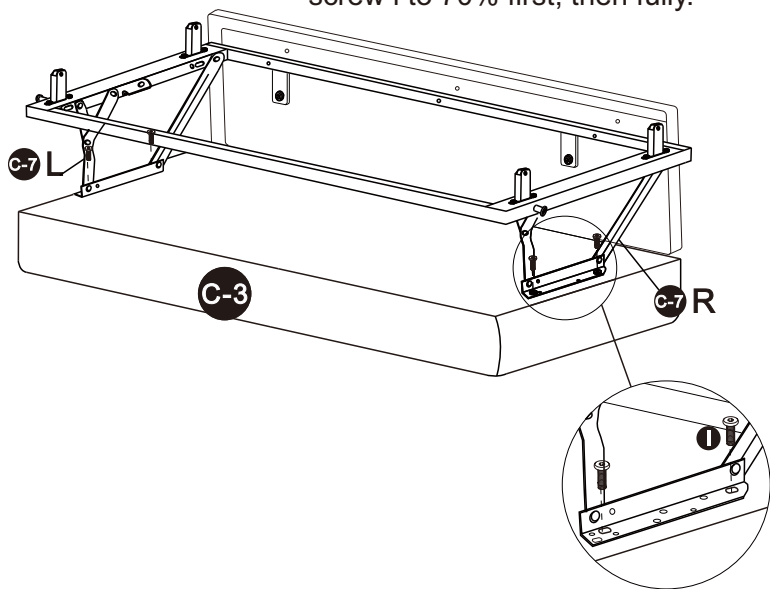


C-6	x2
a	x4
	M6*20 Ø1/4" * 5/16"
g	x1

Install C-6 between C-1 and C-2 for reinforcement. Fix it with screw a, tightening to 70% first, then fully.

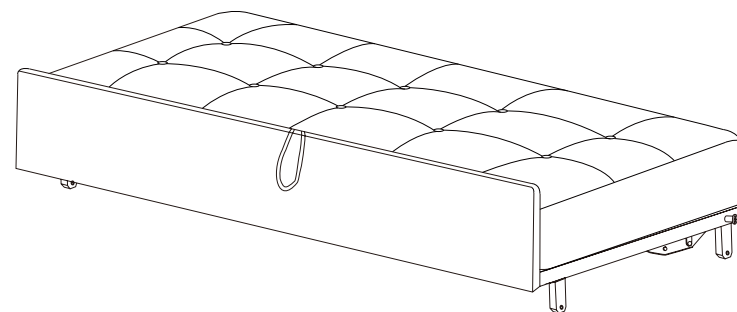
STEP 5

First unfold C-7L and C-7R into the position shown in the diagram, then install them onto C-3 using screw I (pay attention to the hole positions). Tighten screw I to 70% first, then fully.

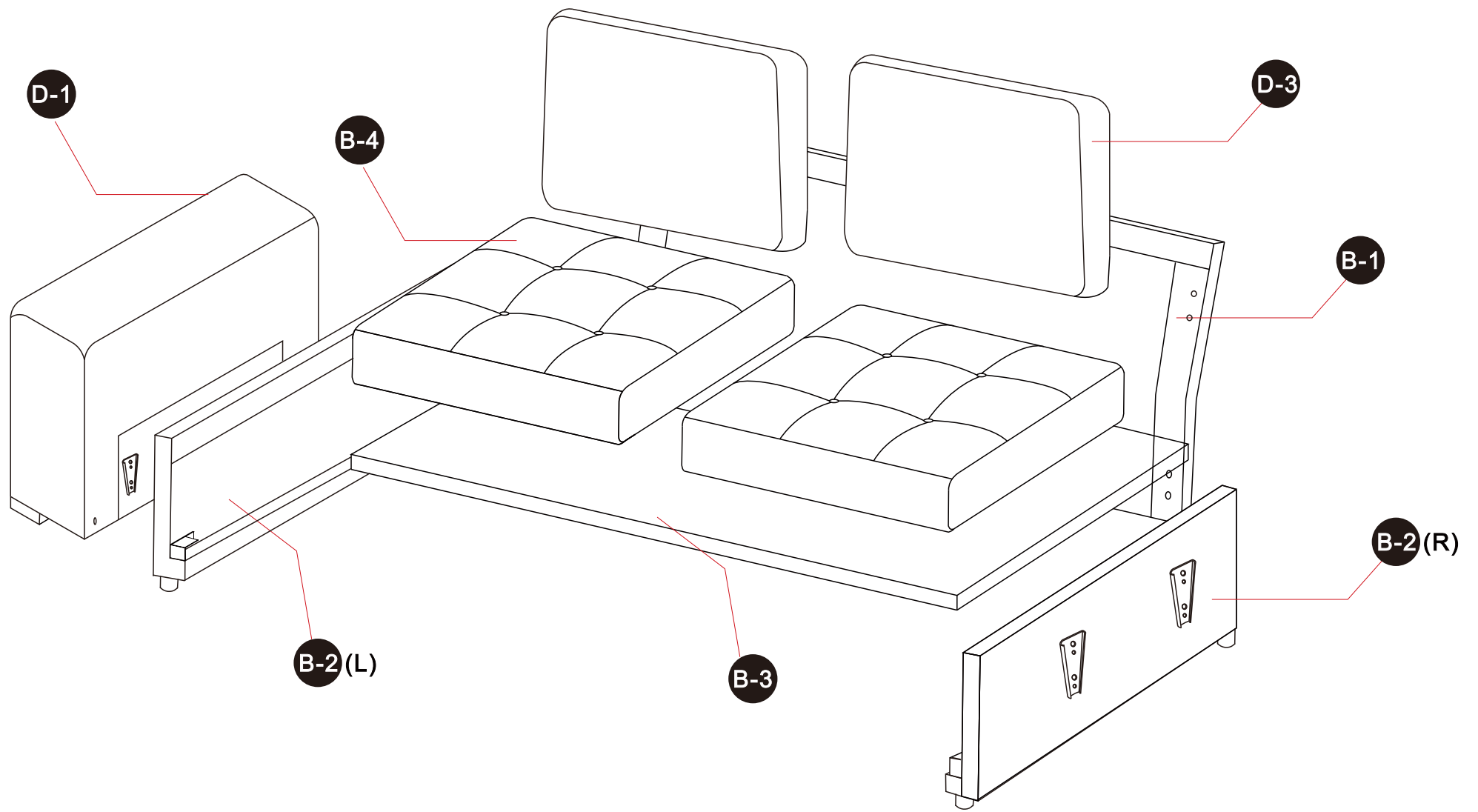


I	x4
	M6*20 Ø1/4" * 51/64"
9	x1
	

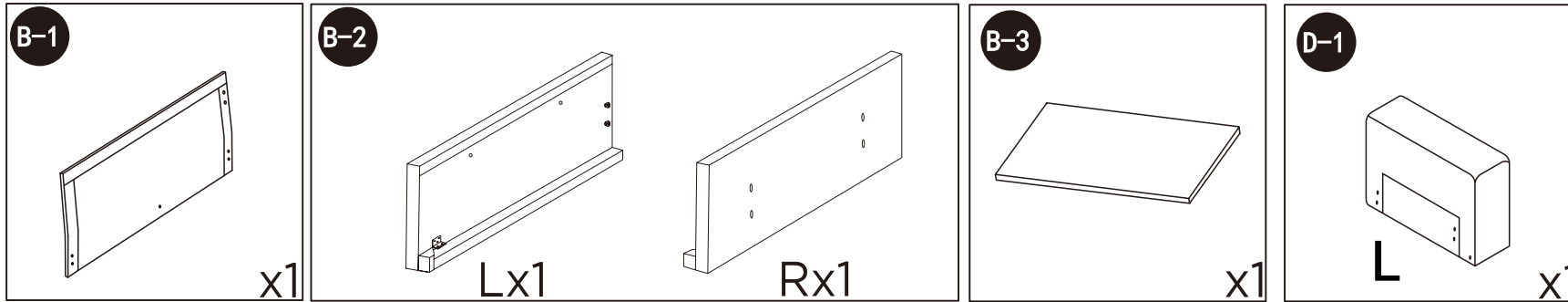
STEP 6



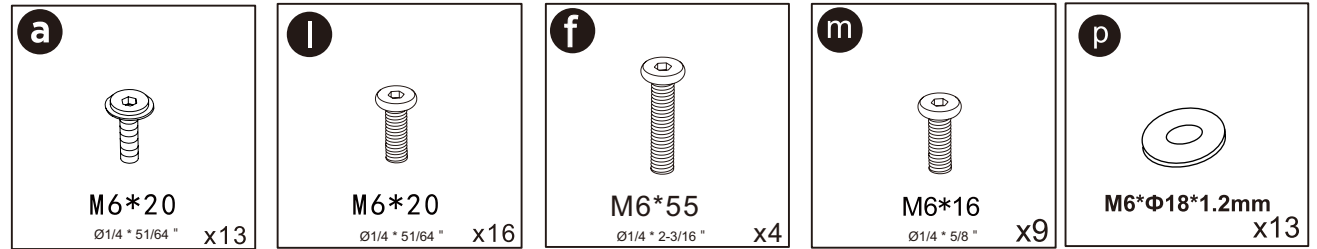
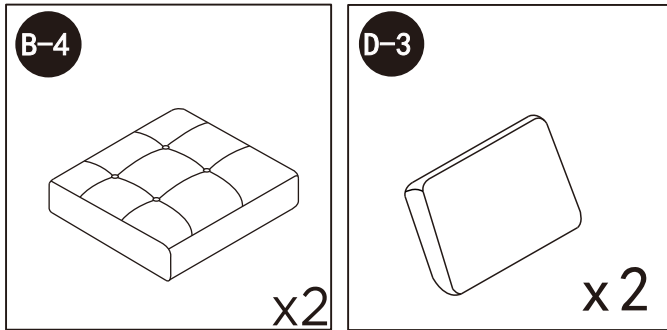
Trundle bed assembly complete.



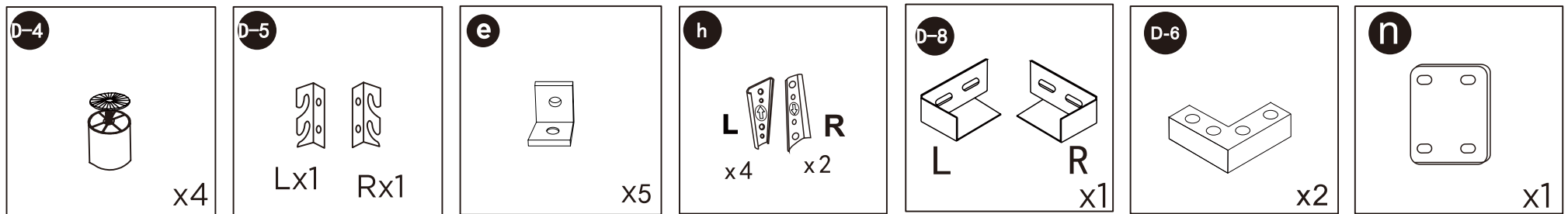
Main structure accessories



Hardware parts

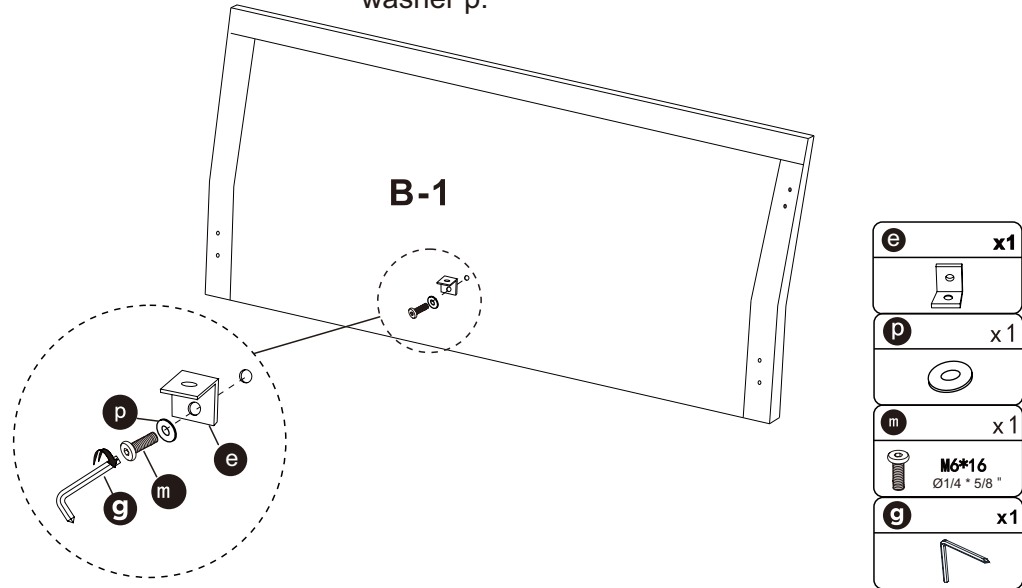


Structural accessories

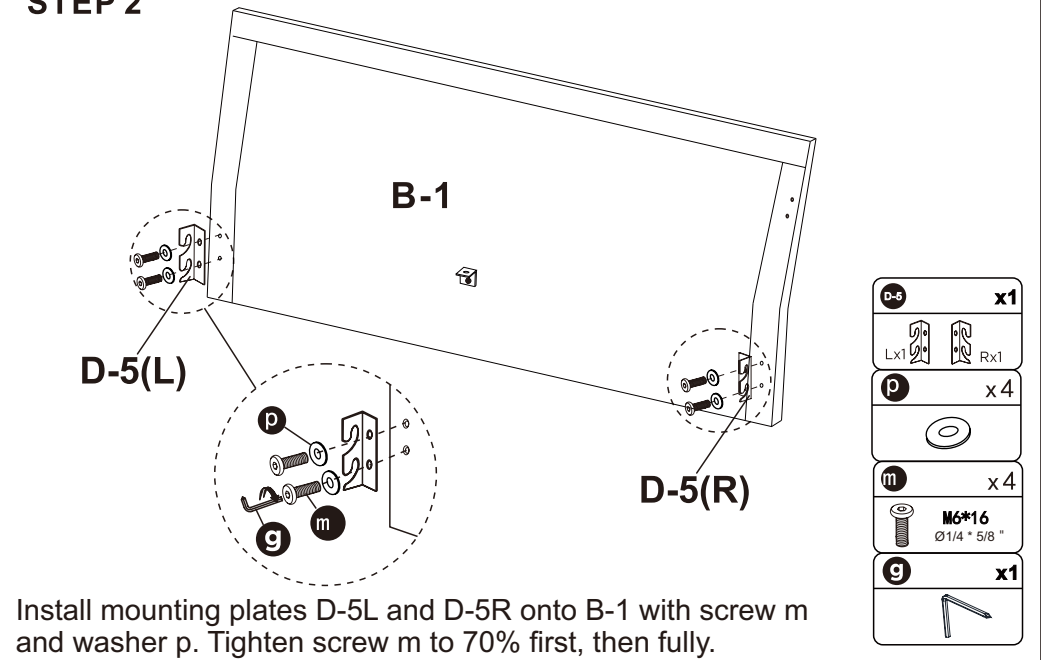


STEP 1

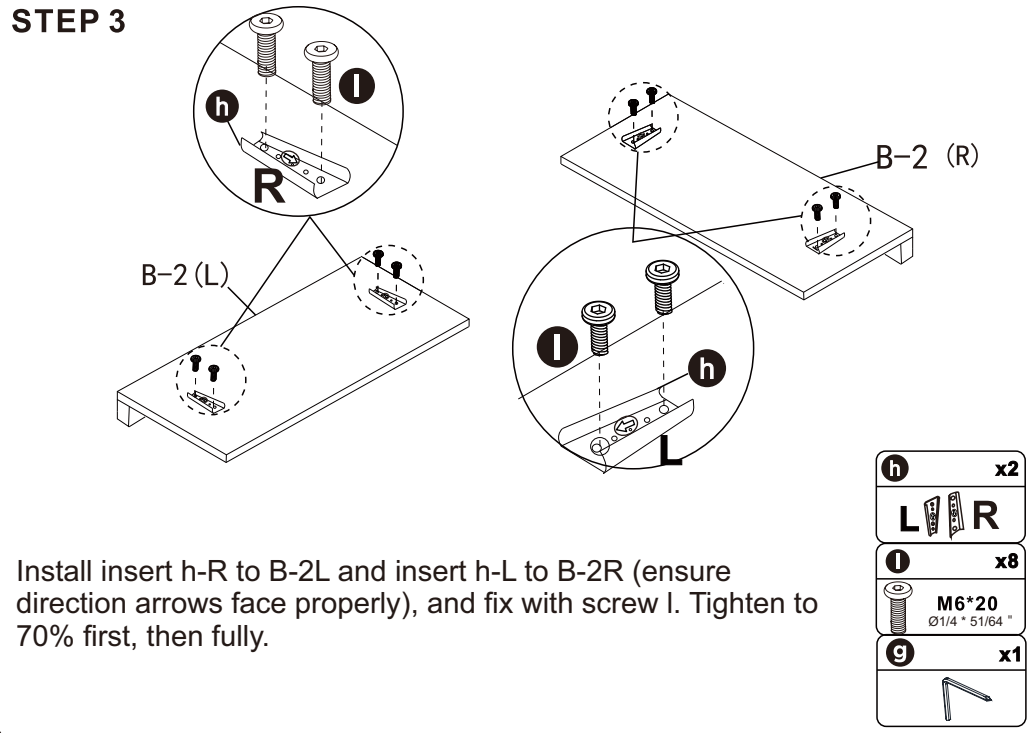
Install angle bracket e onto B-1 using screw m and washer p.



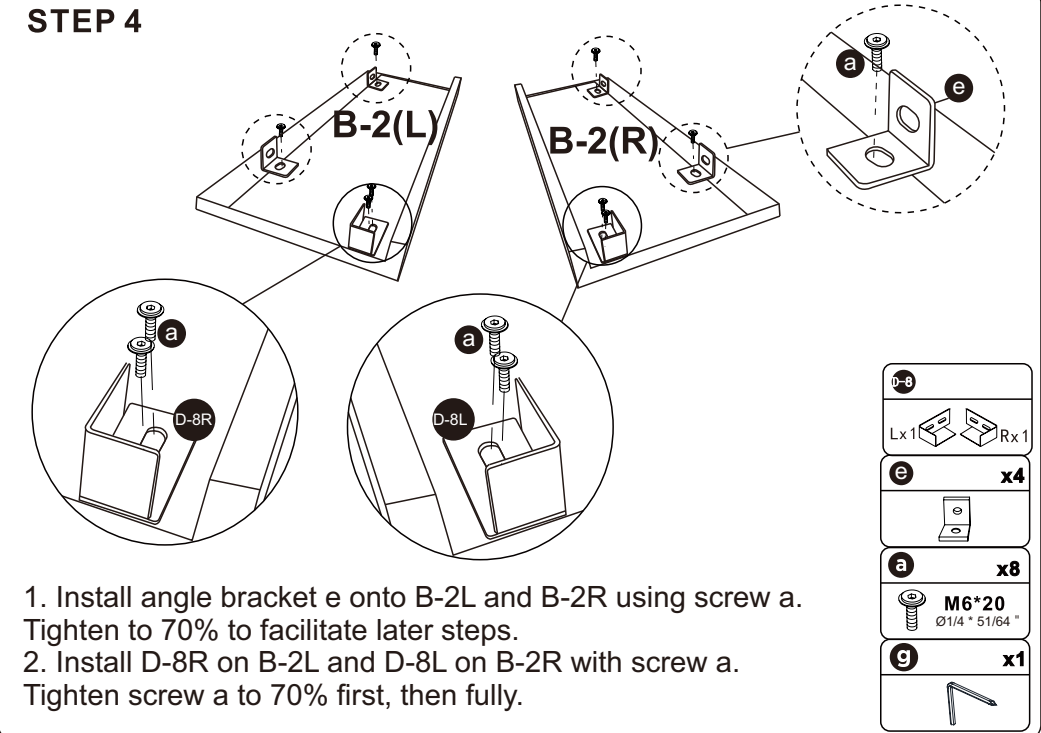
STEP 2



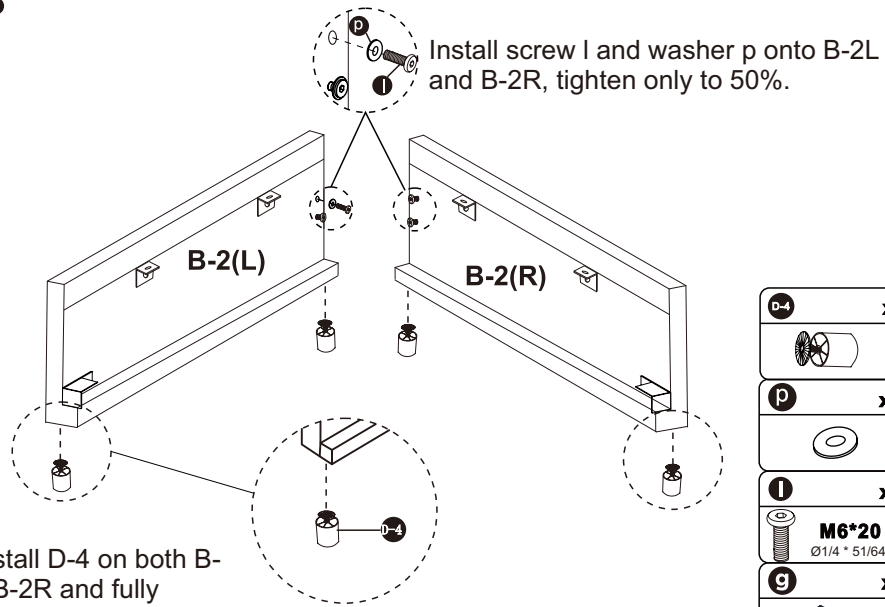
STEP 3



STEP 4

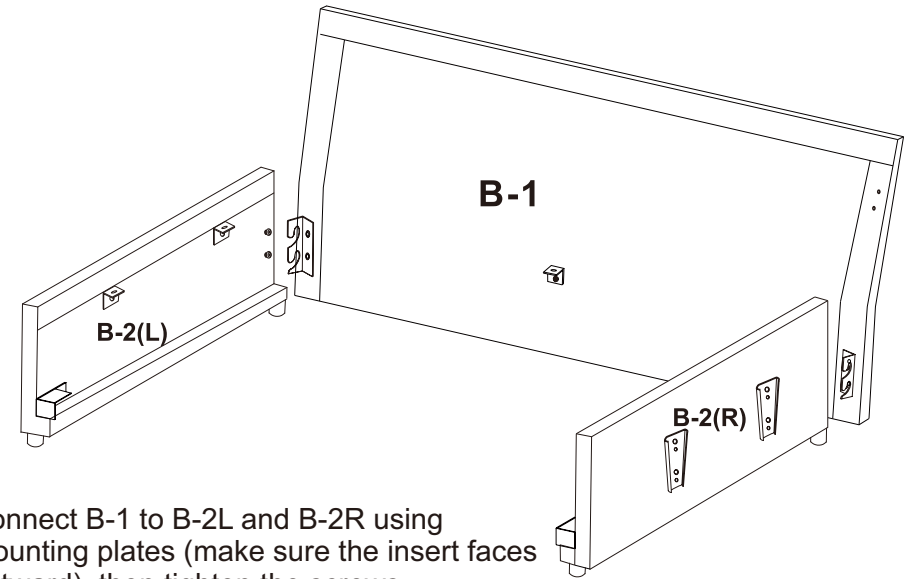


STEP 5



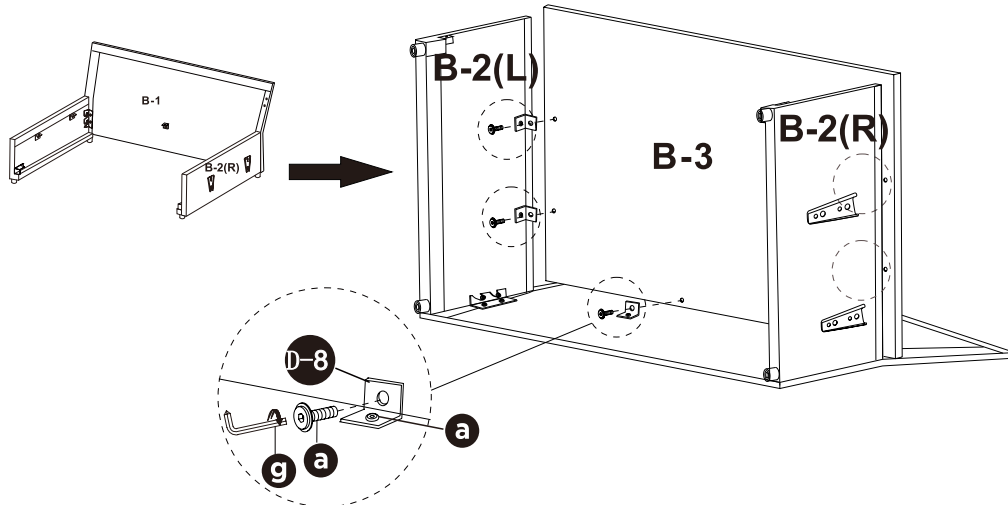
Then install D-4 on both B-2L and B-2R and fully tighten.

STEP 6



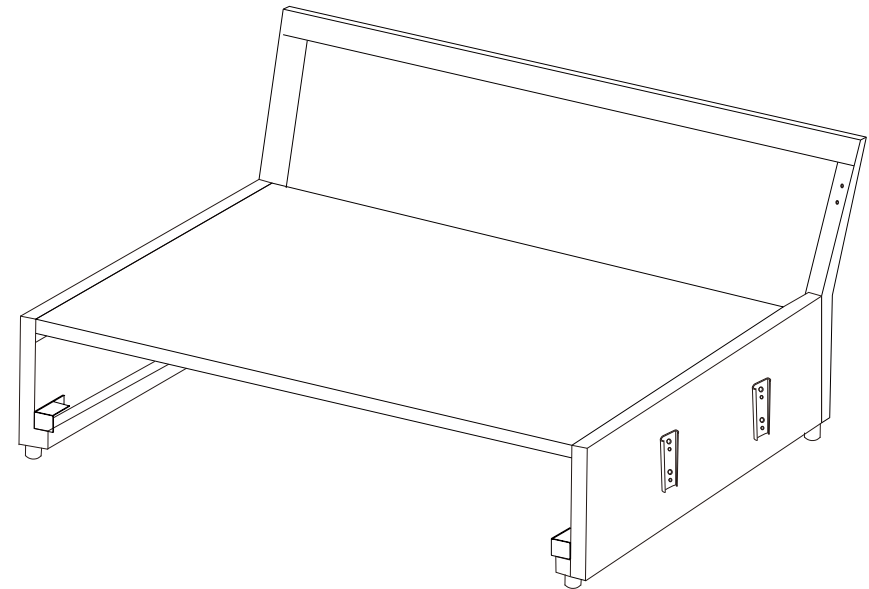
Connect B-1 to B-2L and B-2R using mounting plates (make sure the insert faces outward), then tighten the screws.

STEP 7



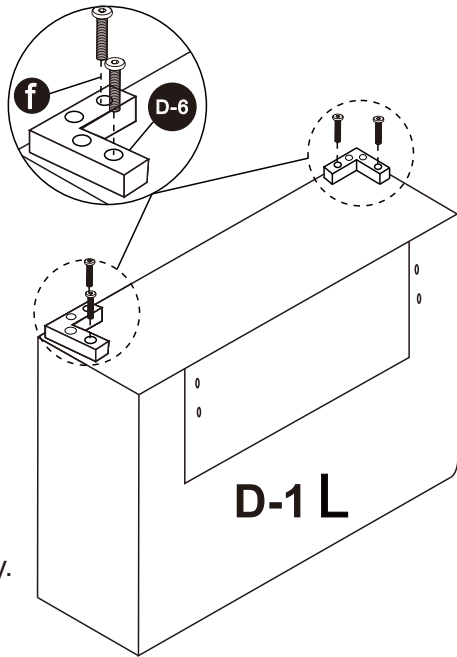
Lay the unit down as shown. Connect B-3 to the angle brackets e on B-1, B-2L, and B-2R using screw a. Tighten screw a to 70% first, then fully. Also make sure to fully tighten any previously installed screw a on bracket e.

STEP 8

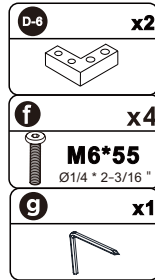


Two-seater frame assembly complete.

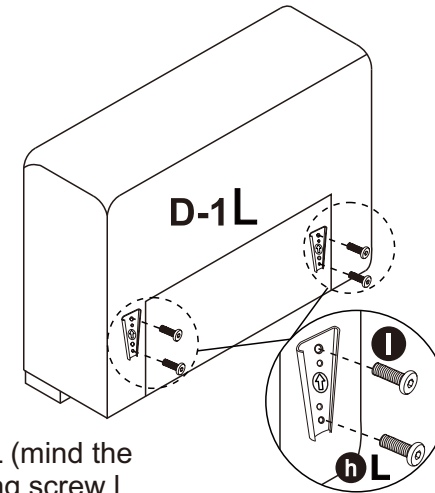
STEP 9



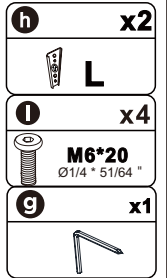
Install D-6 onto D-1L using screw f (pay attention to the hole position). Tighten screw f to 70% first, then fully.



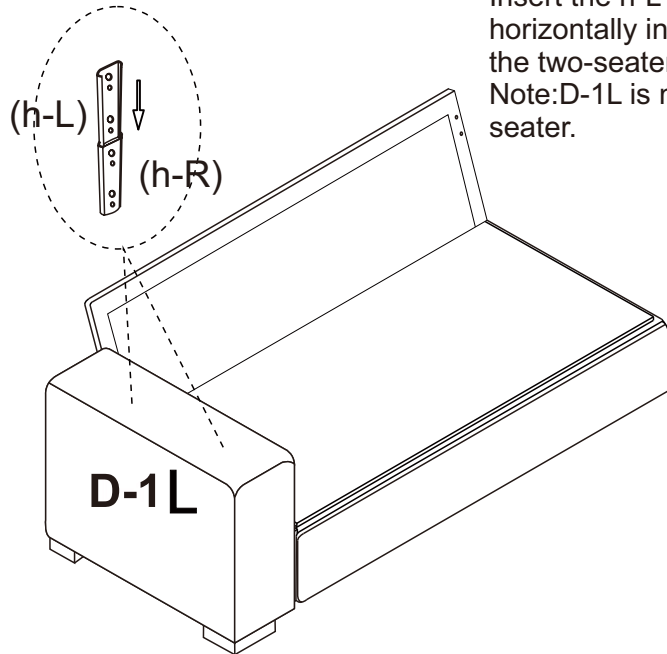
STEP 10



Install h-L onto D-1L (mind the direction arrow) using screw l. Tighten screw l to 70% first, then fully.

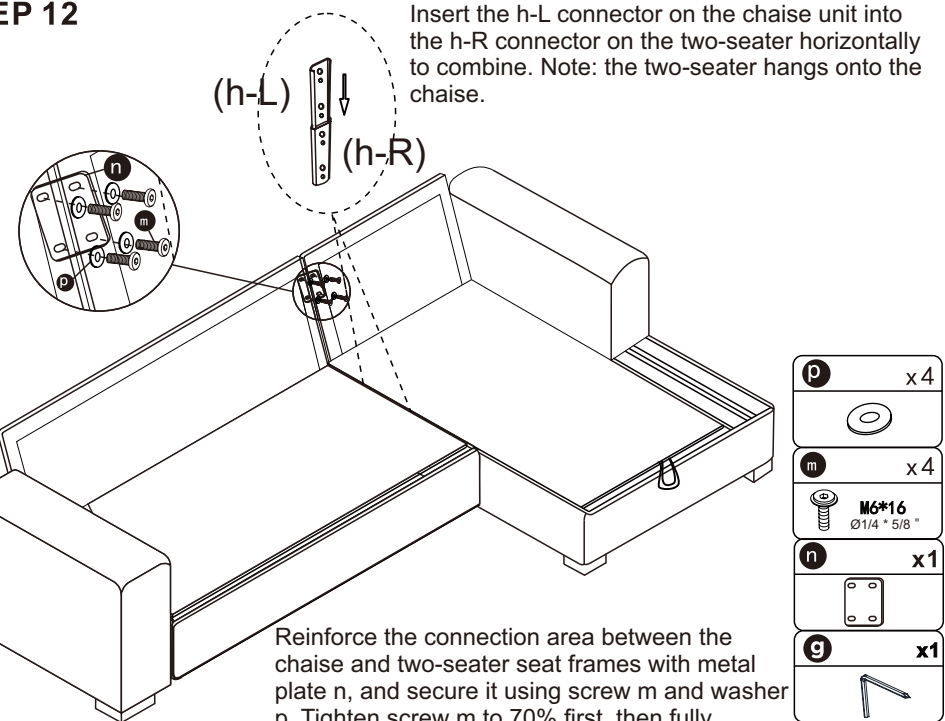


STEP 11



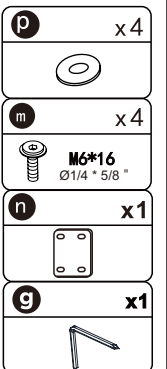
Insert the h-L connector on D-1L horizontally into the h-R connector on the two-seater unit for connection. Note: D-1L is mounted onto the two-seater.

STEP 12

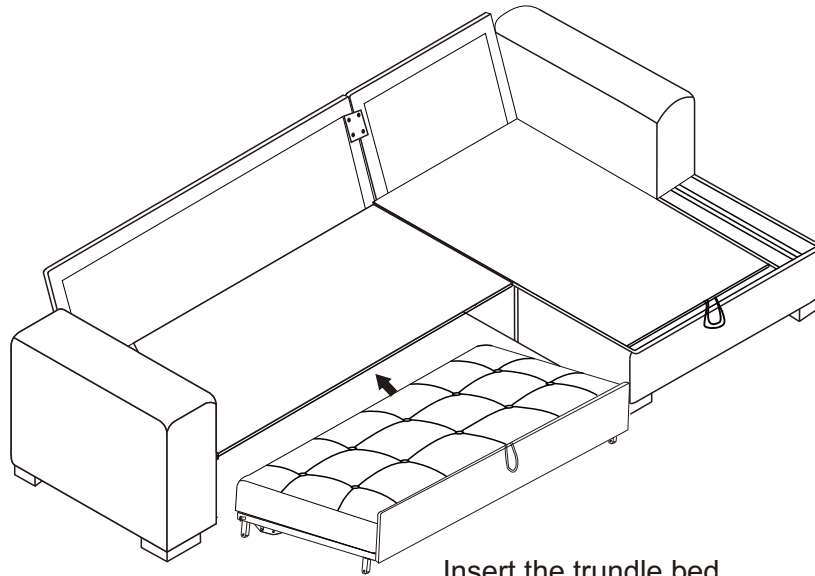


Insert the h-L connector on the chaise unit into the h-R connector on the two-seater horizontally to combine. Note: the two-seater hangs onto the chaise.

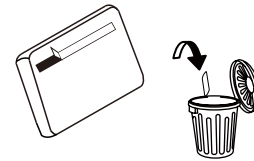
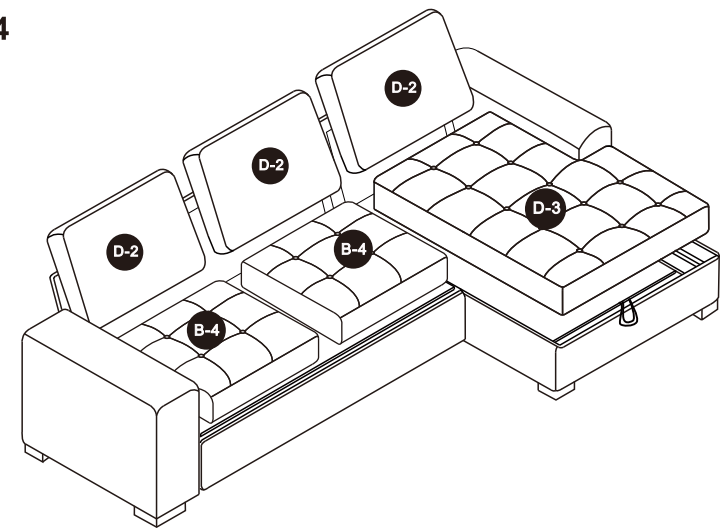
Reinforce the connection area between the chaise and two-seater seat frames with metal plate n, and secure it using screw m and washer p. Tighten screw m to 70% first, then fully.



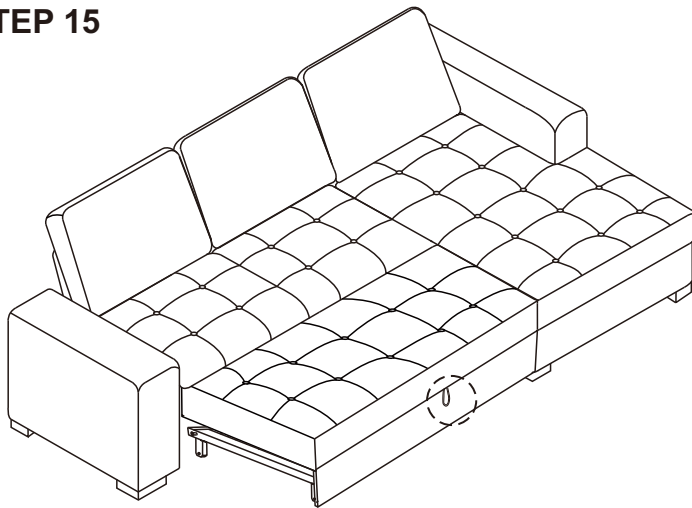
STEP 13



STEP 14



STEP 15



STEP 16

