

ASSEMBLY INSTRUCTION



AX1



BX1



CX1

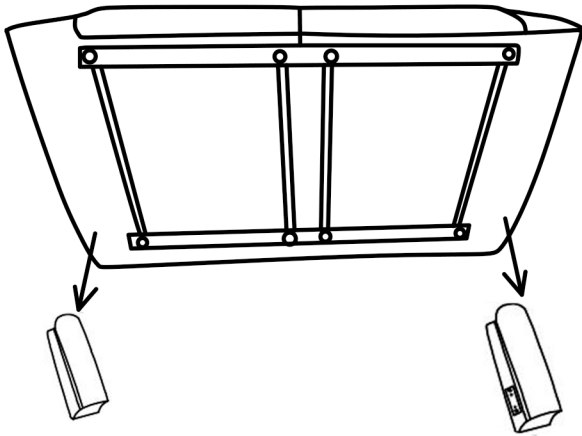


DX1

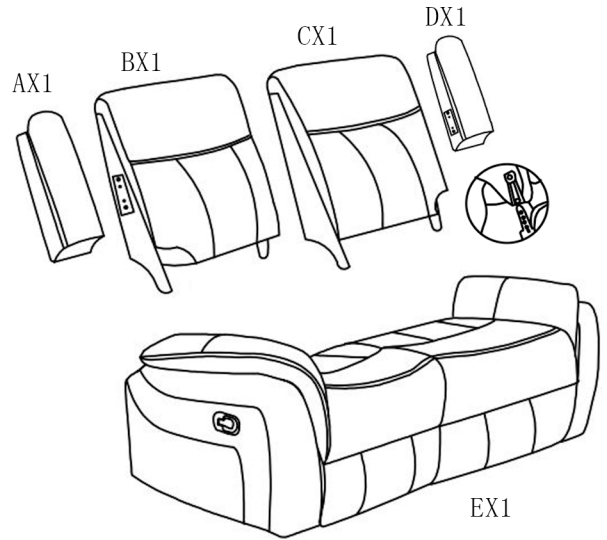


EX1

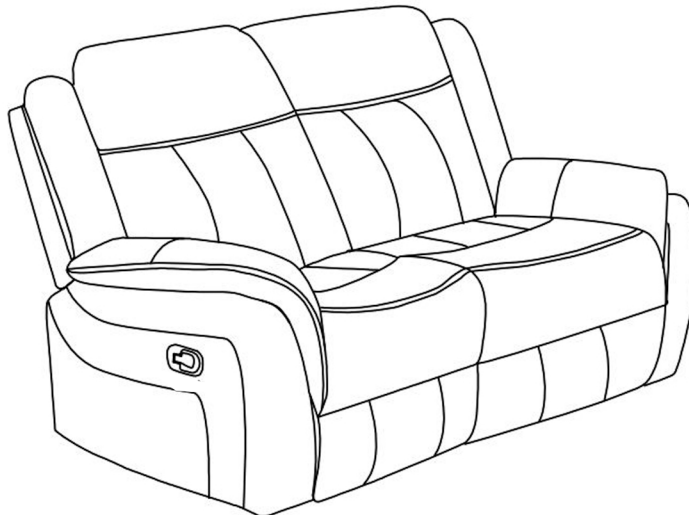
STEP1



STEP2



STEP2



ASSEMBLY INSTRUCTION



AX1



BX1

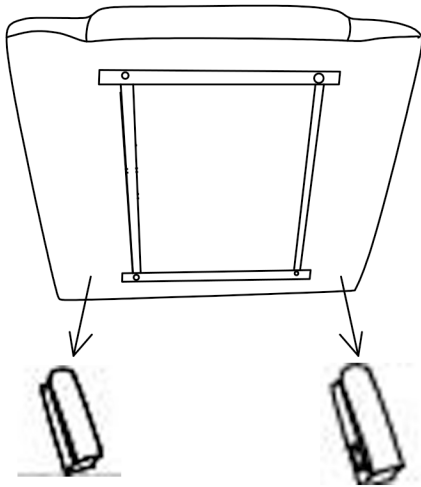


CX1

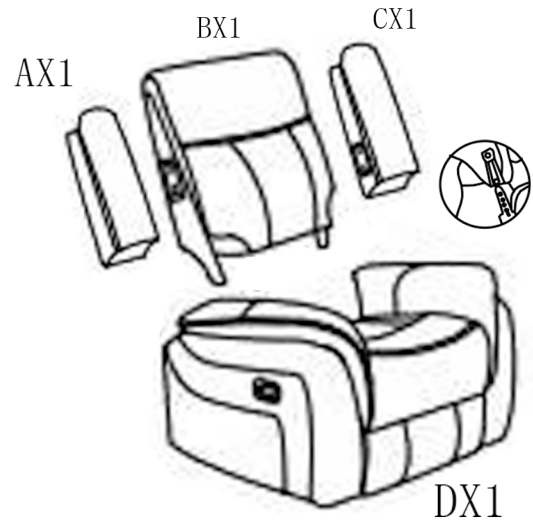


DX1

STEP 1



STEP 2



STEP 3



ASSEMBLY INSTRUCTION



AX1



BX1



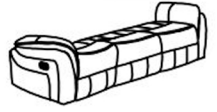
CX1



DX1

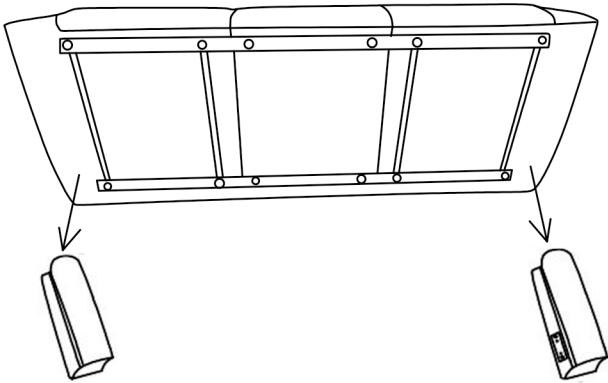


EX1

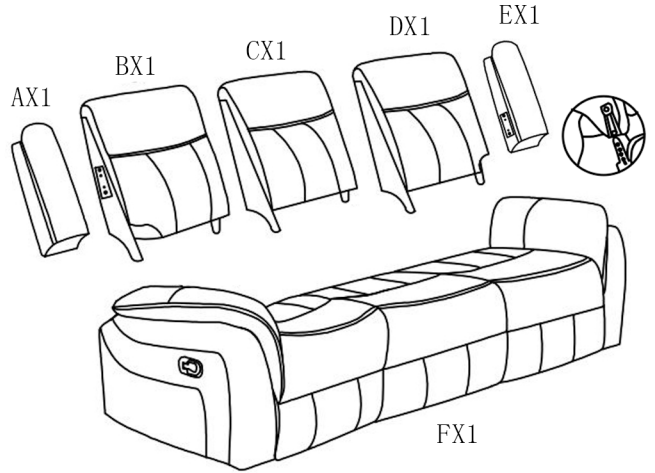


FX1

STEP1



STEP2



STEP2

