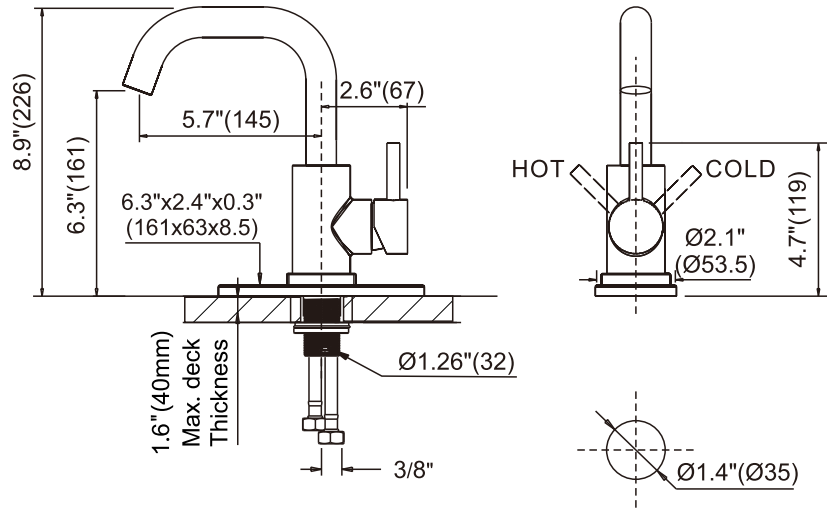


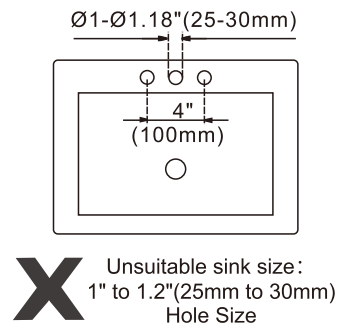
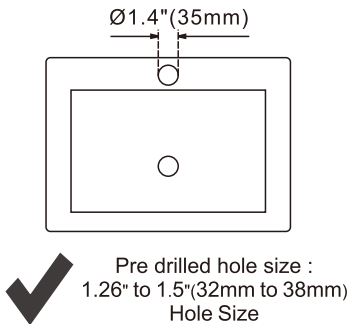
Installation instructions

2340602

unit:inch (mm)



NOTE: NO Drain Stopper Included



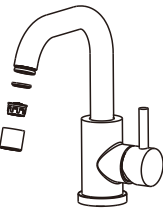
With 1.8 gpm are compliant with California water efficiency regulations, Complies with California Proposition 65 and with the Federal Safe Drinking Water Act.

In areas with extremely low water pressure causing the faucet water flow to be unsatisfactory, replace the 2.2 gpm aerator to improve the water flow in the faucet.

washer

1.8gpm aerator

aerator house

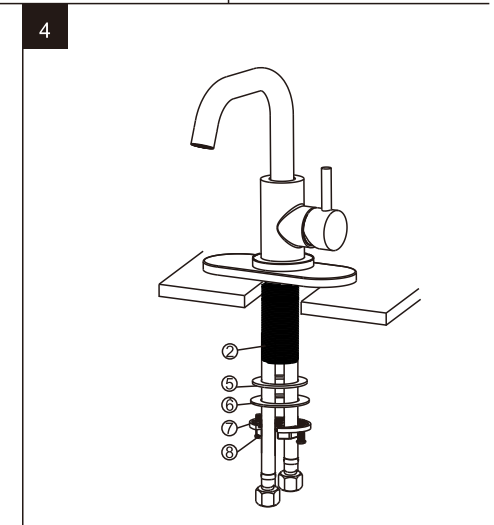
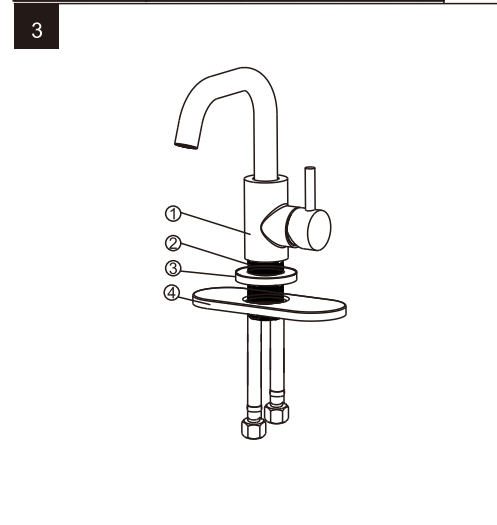
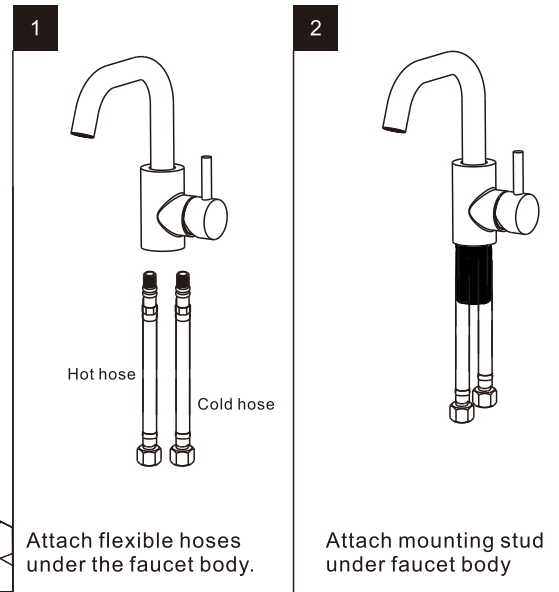
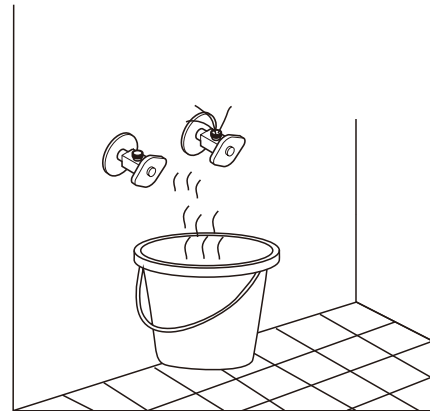


Cleaning and Care

Care should be given to the cleaning of this product. Although its finish is extremely durable, it can be damaged by harsh abrasives or polish. To clean, simply wipe gently with a damp cloth and blot dry with a soft towel.

Notes

Before installing the valves, clean the water pipe thoroughly to avoid dirt and deposits.



1. Make sure attach the washer to the base(3).
2. Slide the base(3) with washer and the plate (4) up over tubes(5) and thread pipe(2).

1. Place washer(5) and metal plate(6) over thread pipe(2) under sink. Secure with mounting nut(7), tighten the screws(8) to fix the faucet body.

Secure metal nut on faucet supply hoses to supply valve connection and hand tighten, then tighten one additional revolution with wrench. **DO NOT OVERTIGHTEN.** **WARNING:** Do not use pipe dope or other sealants on water connections.