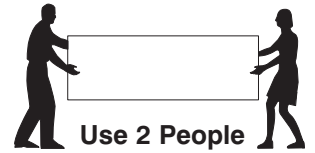
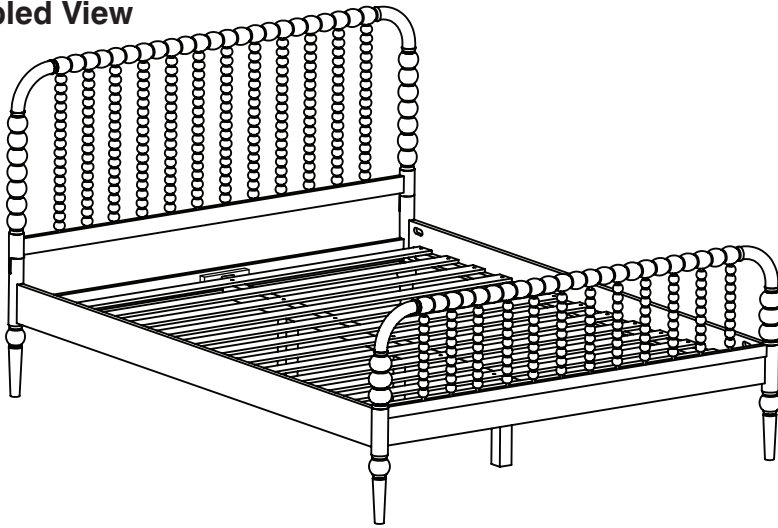


# 0110-4 Full Bed

## Assembly Instructions

WI-0524

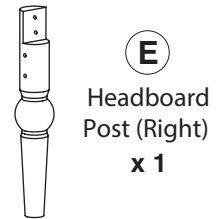
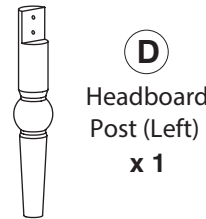
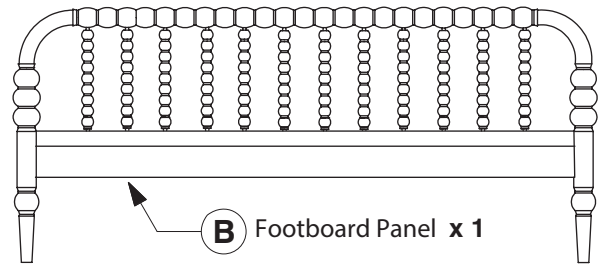
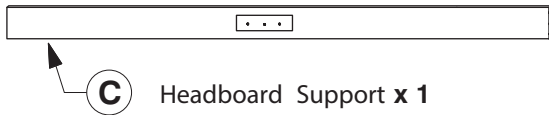
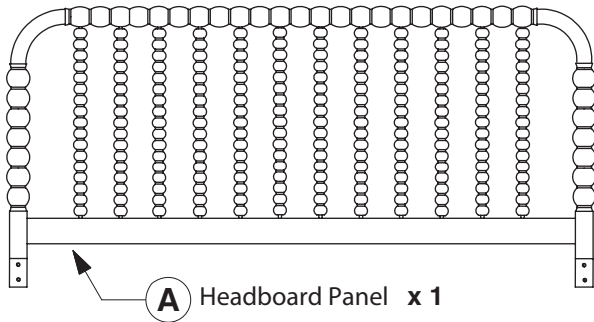
### 1 Assembled View



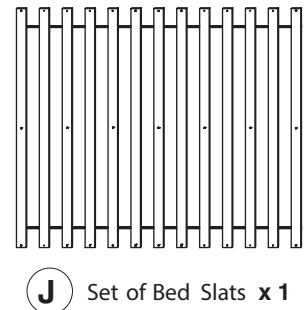
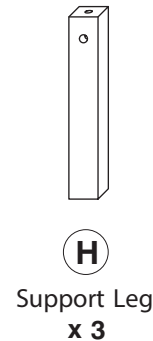
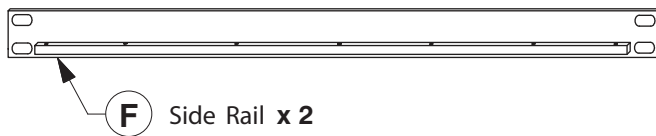
**Note:** Do not assemble using power tools. This can cause the bolts to be overtightened

### 2

#### Parts in Box A:



#### Parts in Box B:

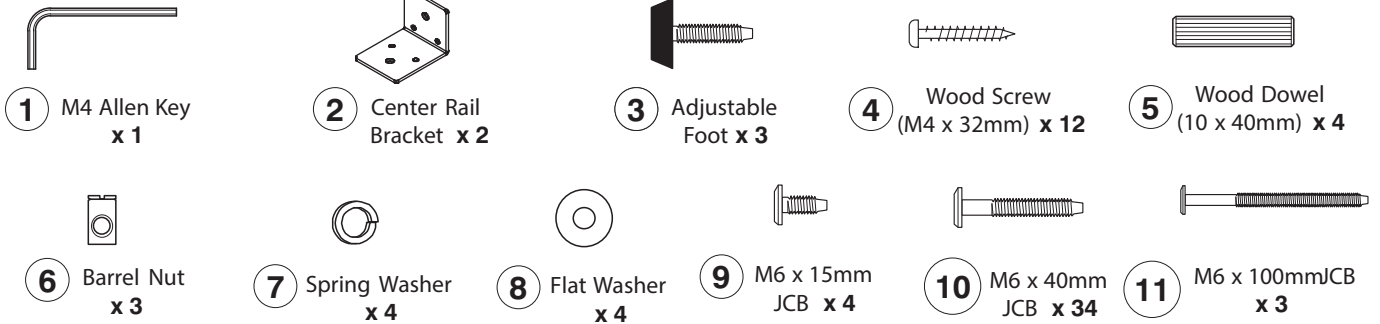


# 0110-4 Full Bed

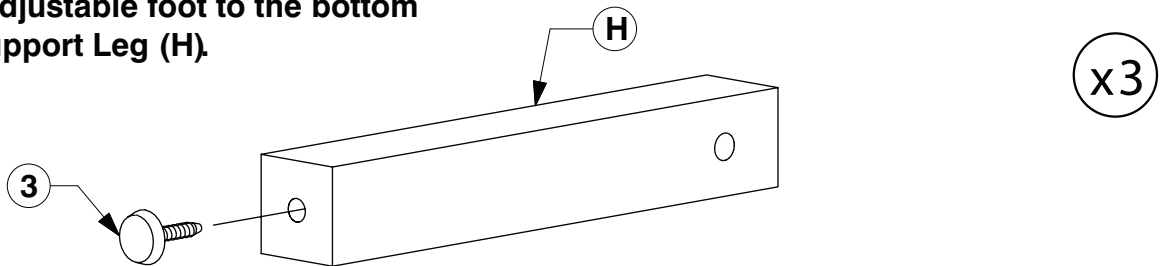
## Assembly Instructions

WI-0524

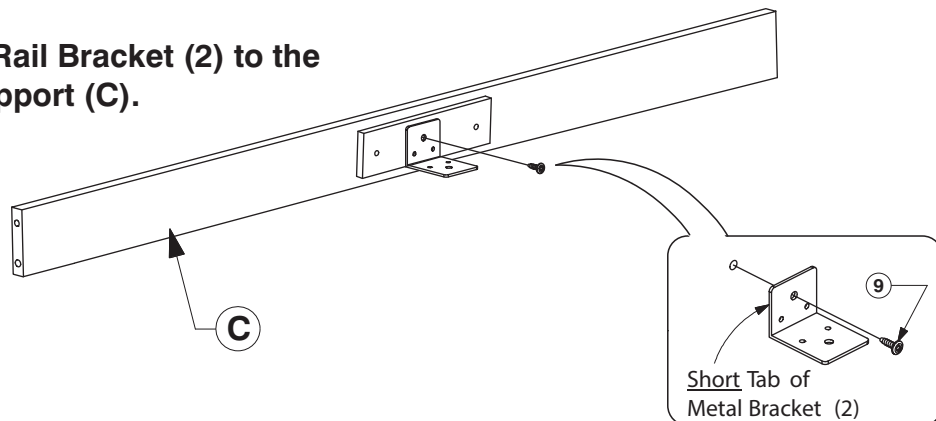
### 3 Hardware List



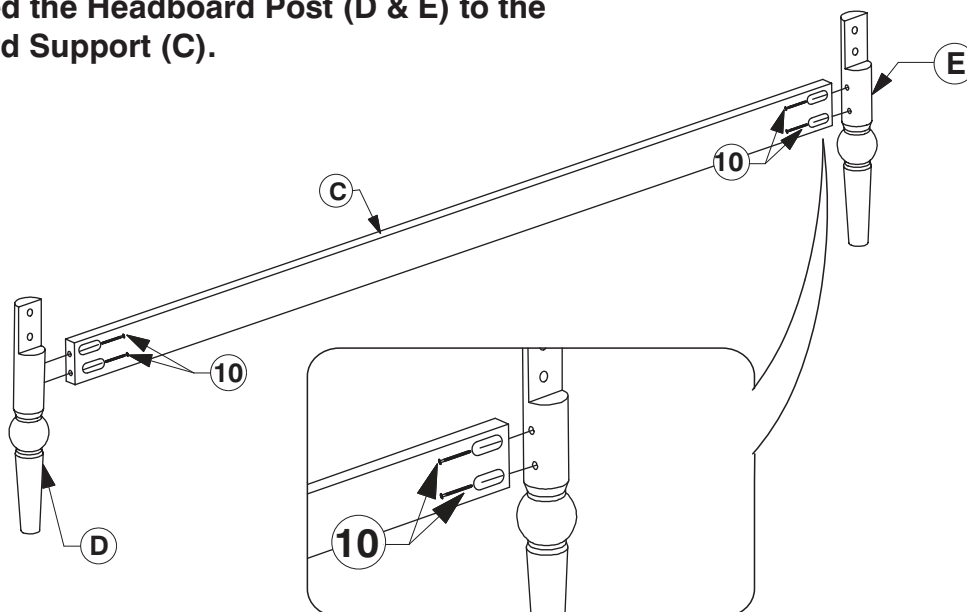
### 4 Fix the Adjustable foot to the bottom of the Support Leg (H).



### 5 Fit the Center Rail Bracket (2) to the Headboard Support (C).



### 6 Assembled the Headboard Post (D & E) to the Headboard Support (C).

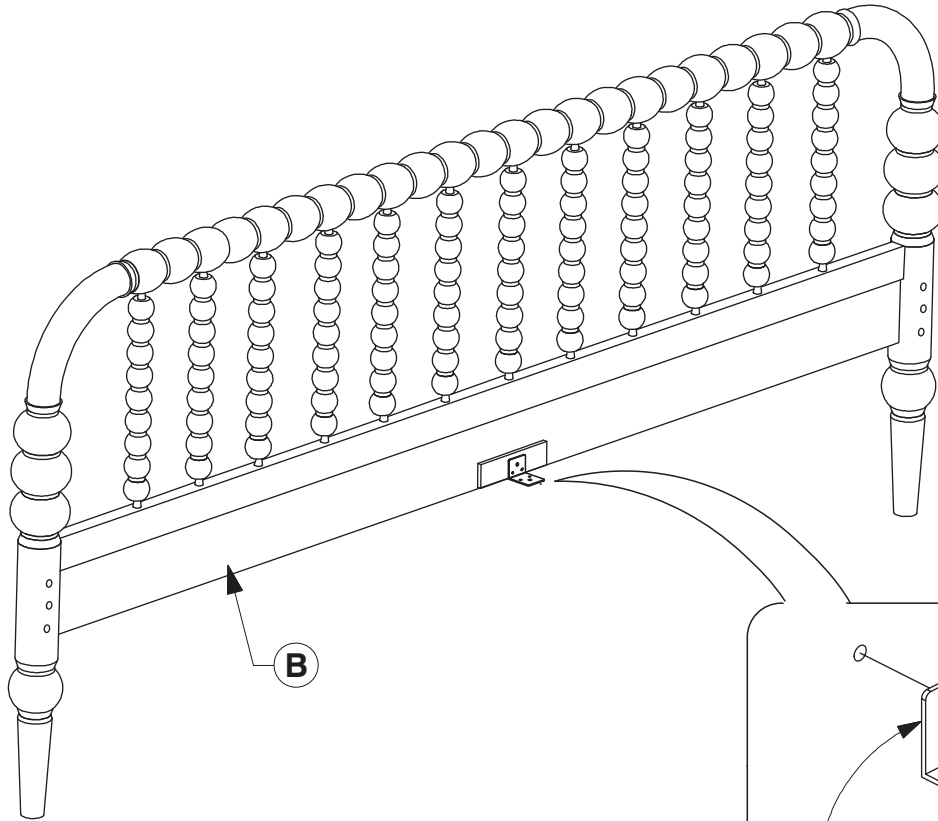


# 0110-4 Full Bed

## Assembly Instructions

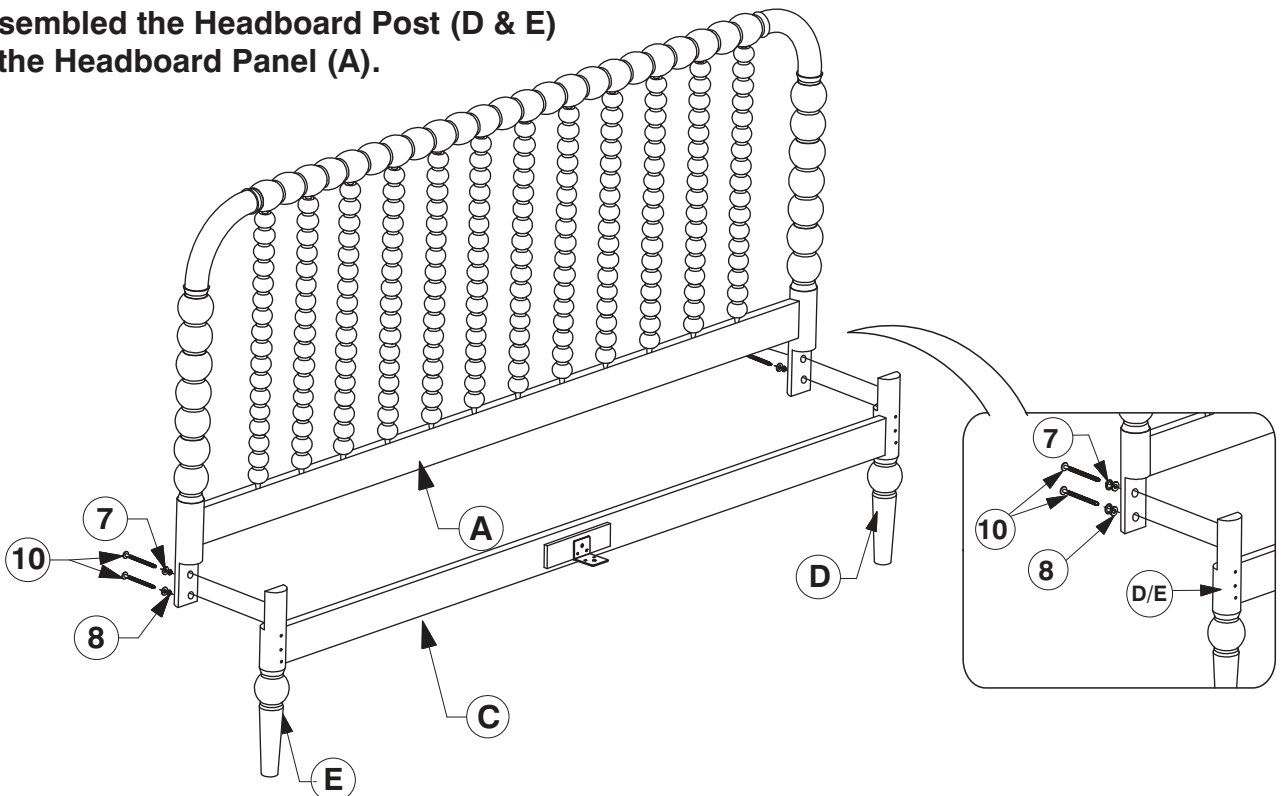
WI-0524

### 7 Fit the Center Rail Bracket (2) to the Footboard Panel (B).



Short Tab of  
Metal Bracket (2)

### 8 Assembled the Headboard Post (D & E) to the Headboard Panel (A).

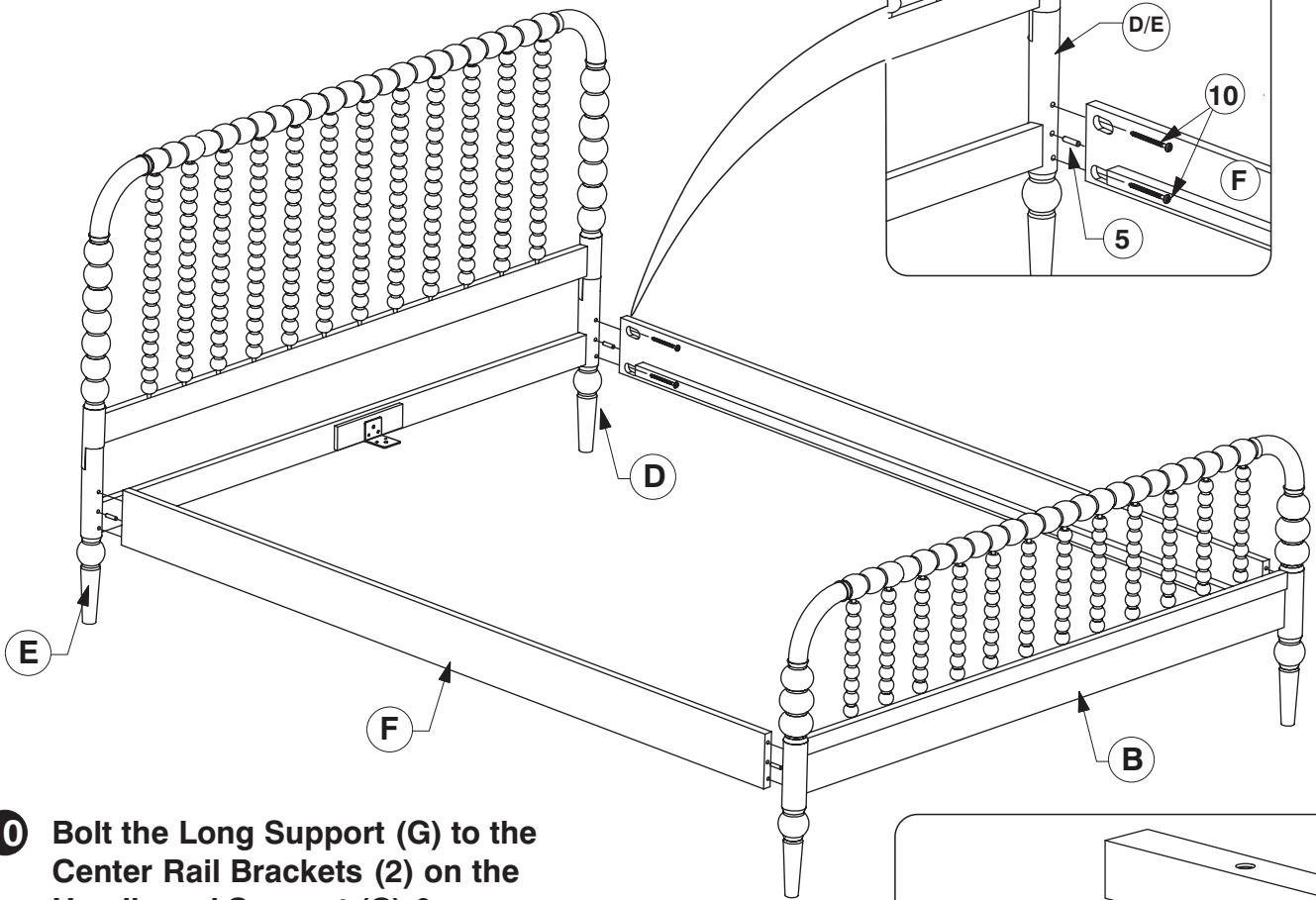


# 0110-4 Full Bed

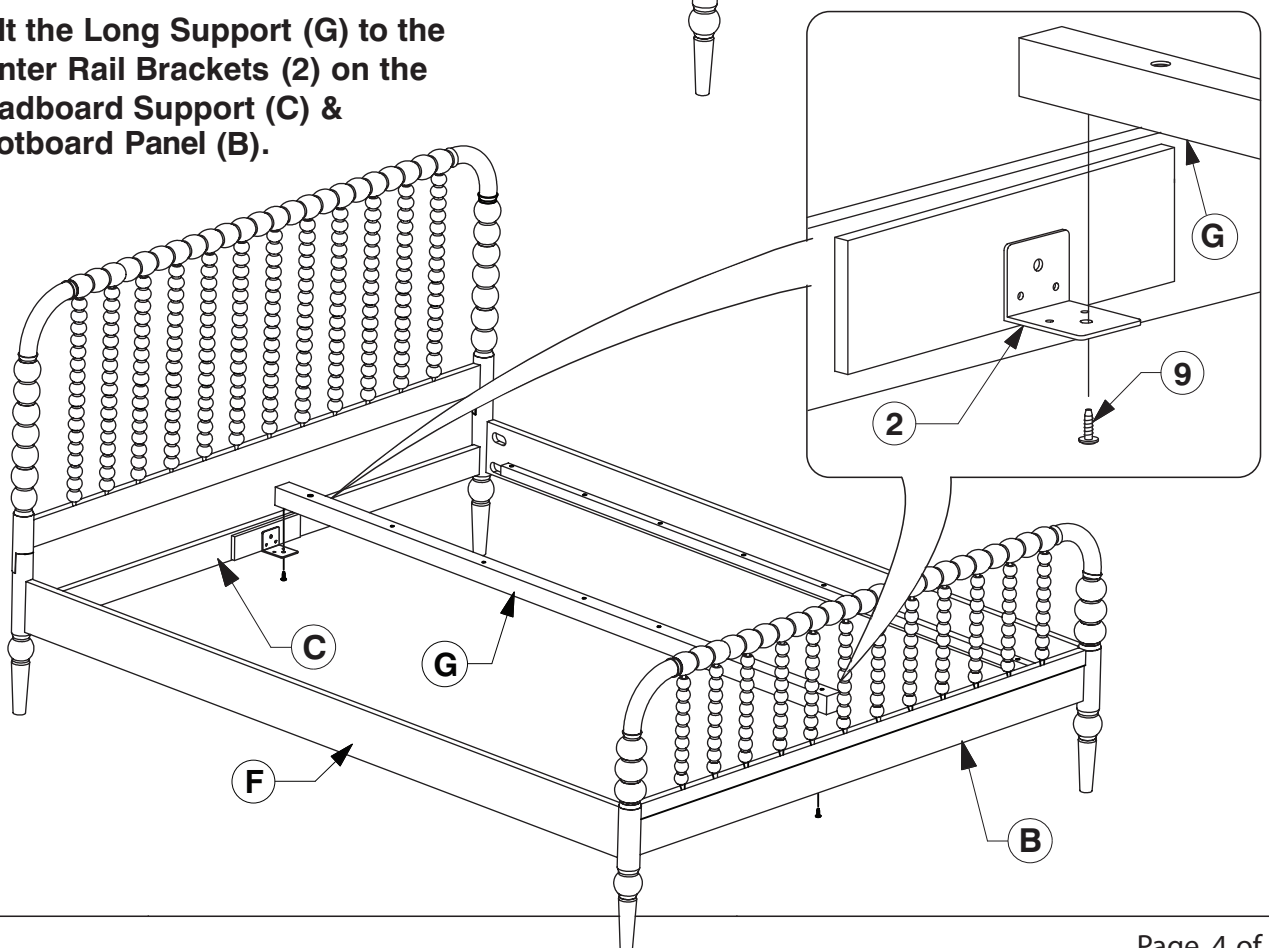
## Assembly Instructions

WI-0524

- 9** Assemble the Side Rail (F) to the Headboard Post (D & E) and Footboard Panel (B).



- 10** Bolt the Long Support (G) to the Center Rail Brackets (2) on the Headboard Support (C) & Footboard Panel (B).

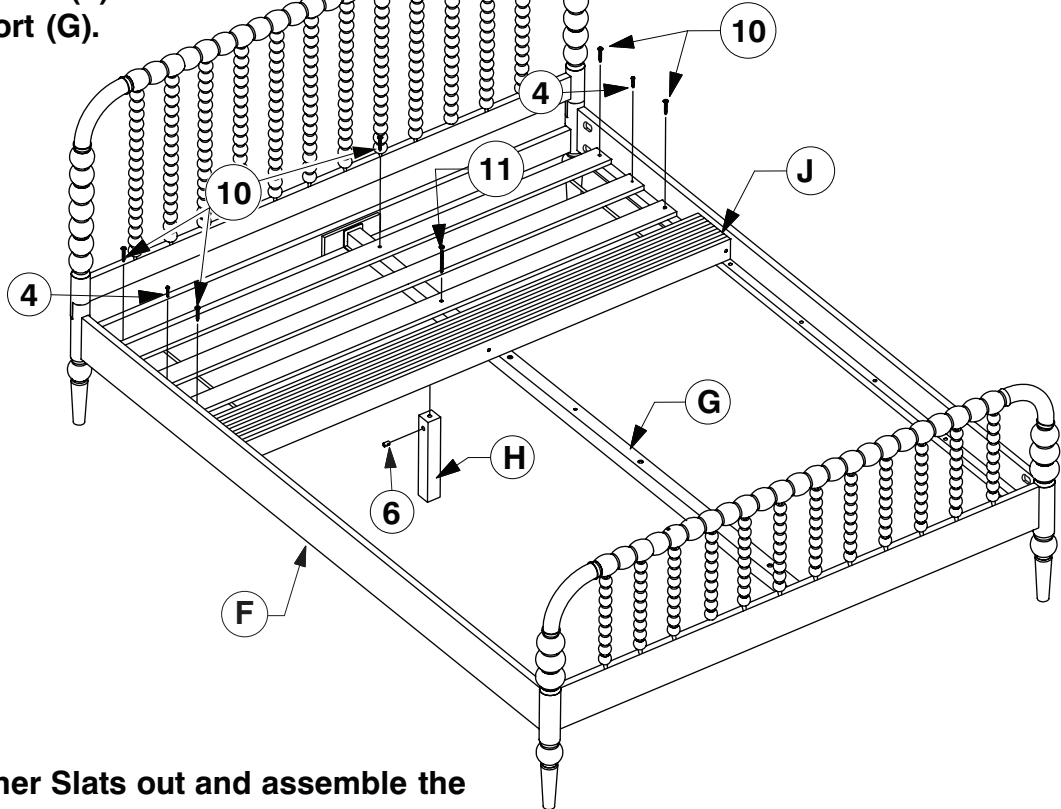


# 0110-4 Full Bed

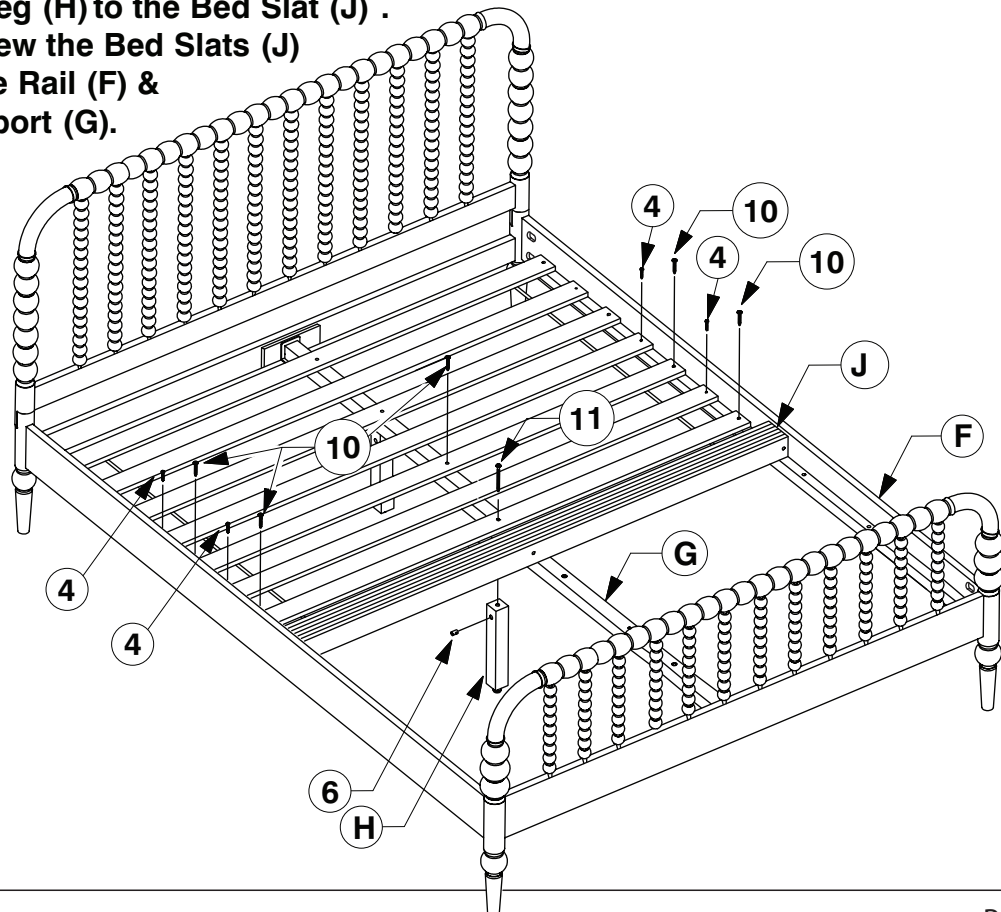
## Assembly Instructions

WI-0524

- 11** Fit the first 3 Slats and assemble the Support Leg (H) to the Bed Slat (J) . Bolt & screw the Bed Slats (J) to the Side Rail (F) Long Support (G).



- 12** Fit the other Slats out and assemble the Support Leg (H) to the Bed Slat (J) . Bolt & screw the Bed Slats (J) to the Side Rail (F) & Long Support (G).

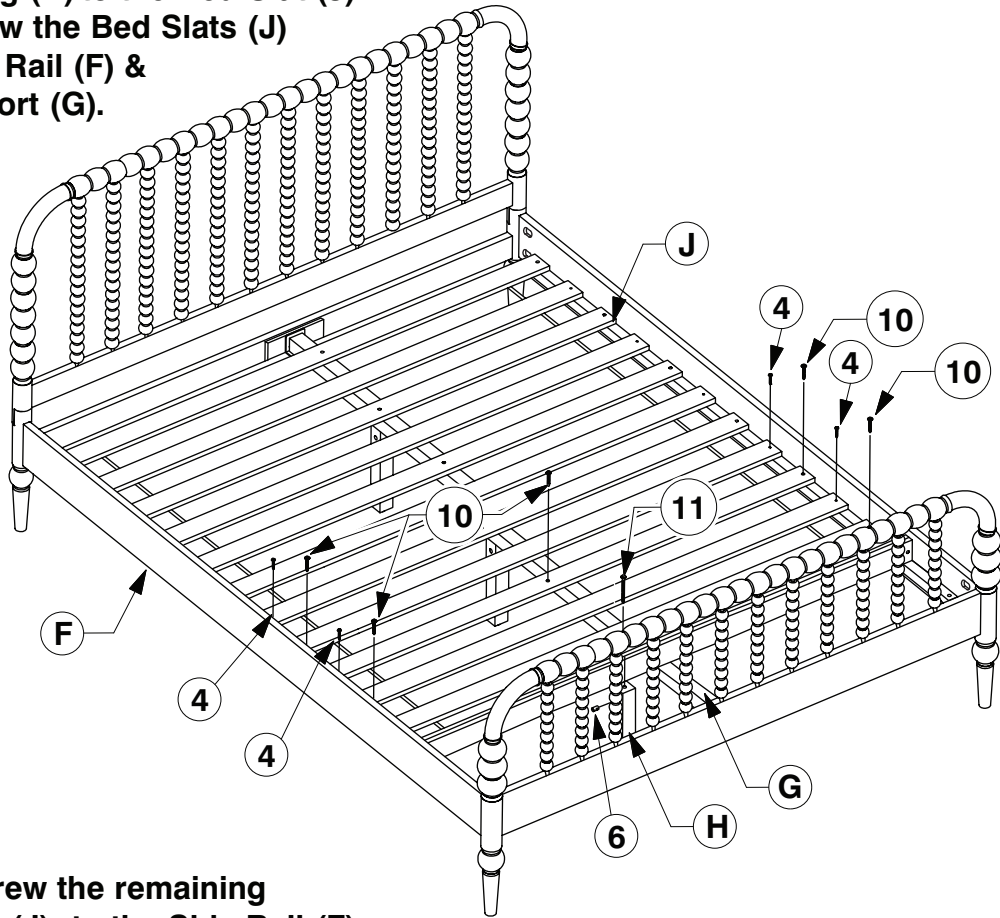


# 0110-4 Full Bed

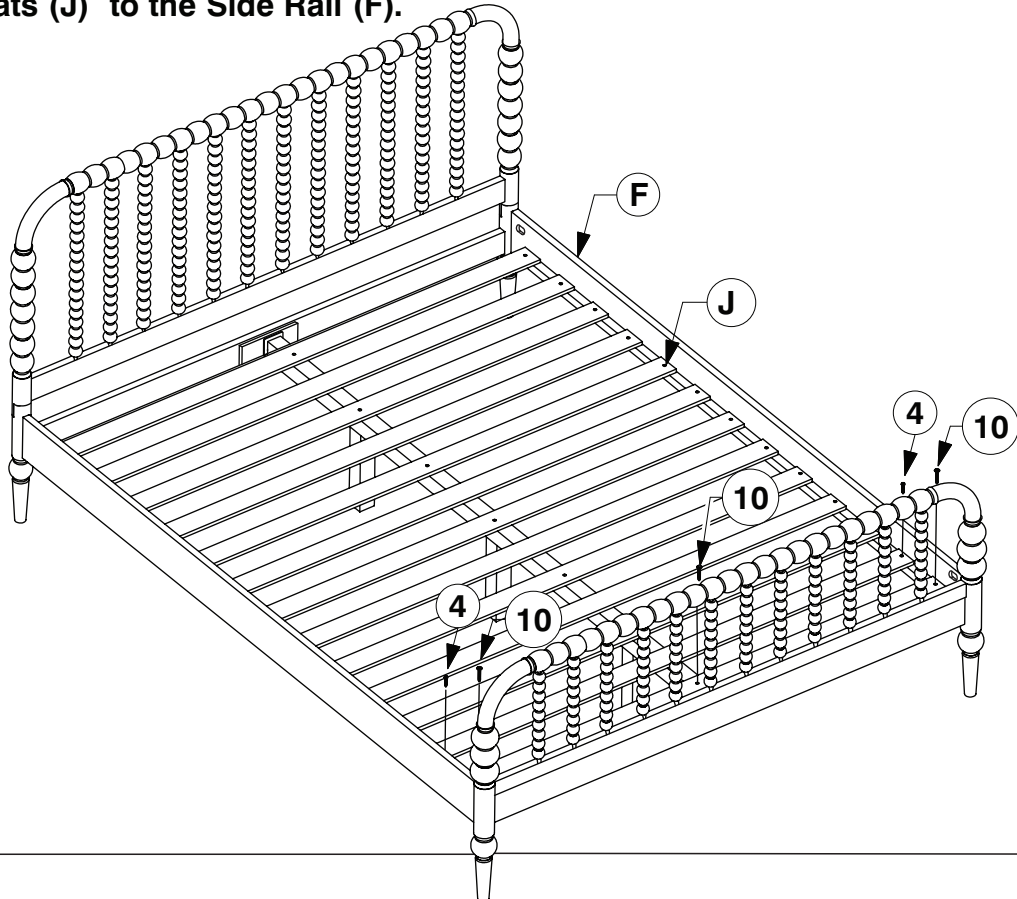
## Assembly Instructions

WI-0524

- 13** Fit the other Slats out and assemble the Support Leg (H) to the Bed Slat (J) . Bolt & screw the Bed Slats (J) to the Side Rail (F) & Long Support (G).



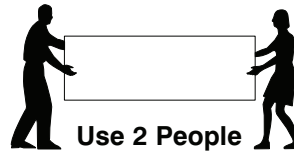
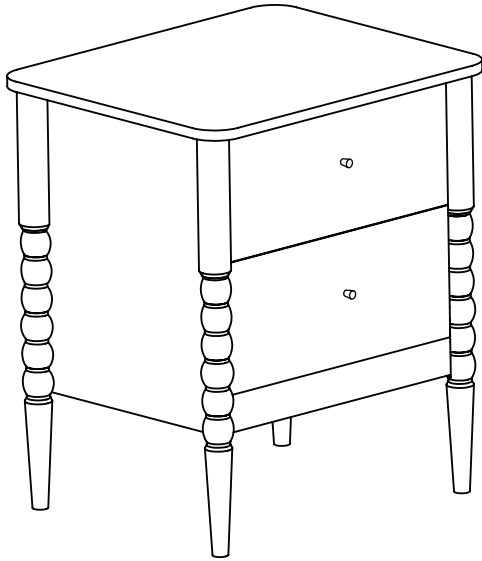
- 14** Bolt & screw the remaining Bed Slats (J) to the Side Rail (F).



# 9011 2 Drawer Nightstand

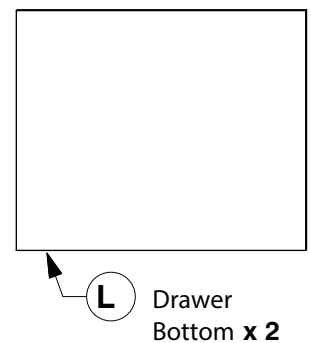
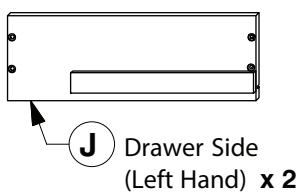
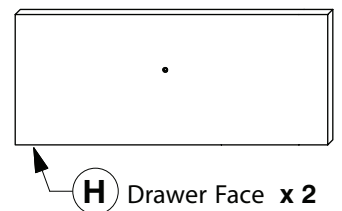
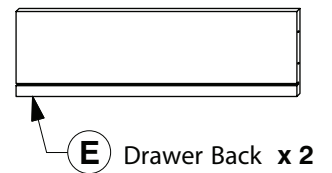
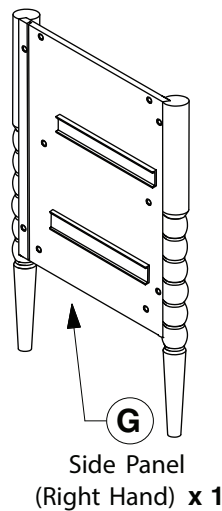
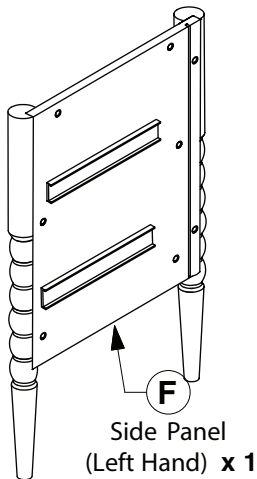
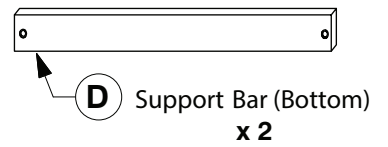
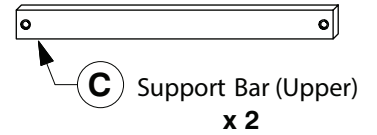
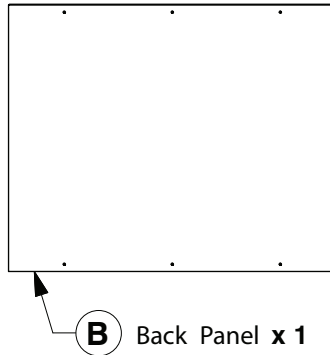
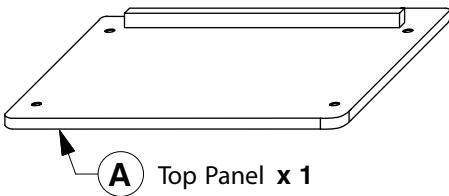
## Assembly Instructions

WI-0724



**Note:** Do not assemble using power tools. This can cause the bolts to be overtightened

### 1 Parts List


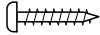
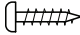
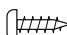

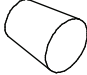
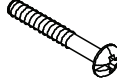



# 9011 2 Drawer Nightstand

## Assembly Instructions

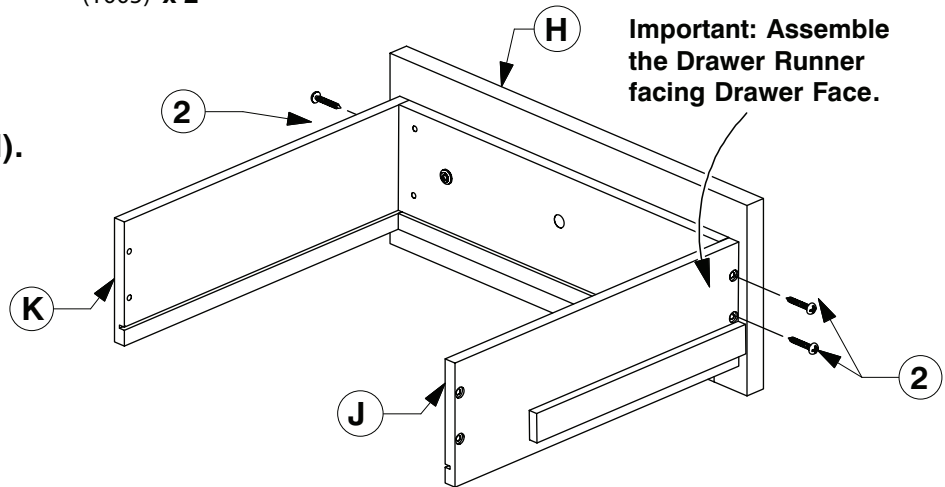
WI-0924

### 2 Hardware List

- |  |  |   |   |
|--|--|---|---|
| <br><b>1</b> M6 x 15mm<br>JCB x 24        | <br><b>2</b> M4 x 25mm<br>Wood Screw x 16 | <br><b>3</b> M4 x 20mm<br>Wood Screw x 8 | <br><b>4</b> M4 x 16mm<br>Wood Screw x 6 |
| <br><b>5</b> 'L' Bracket<br>(5005-3) x 12 | <br><b>6</b> Handle<br>(1005) x 2         | <br><b>7</b> M4 x 20mm<br>Wood Screw x 2 | <br><b>8</b> Allen Key<br>x 1            |

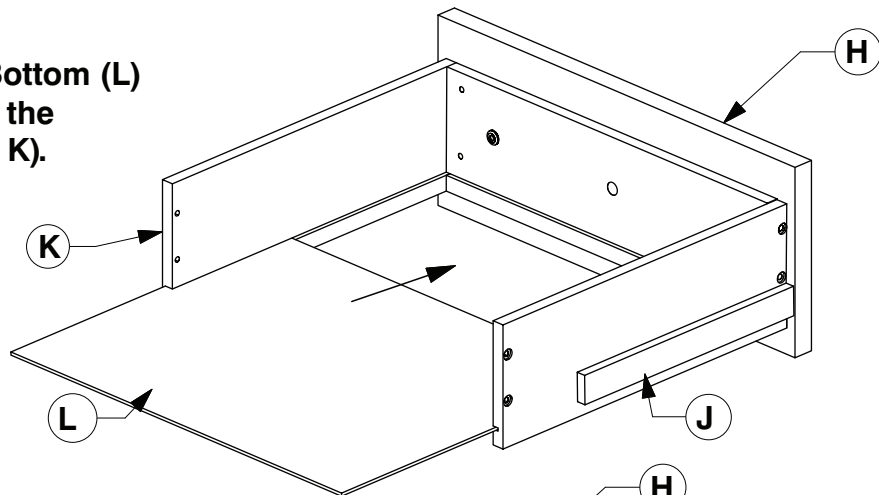
### 3 Assemble the Drawer Sides (J & K) to the Drawer Face (H).

x2



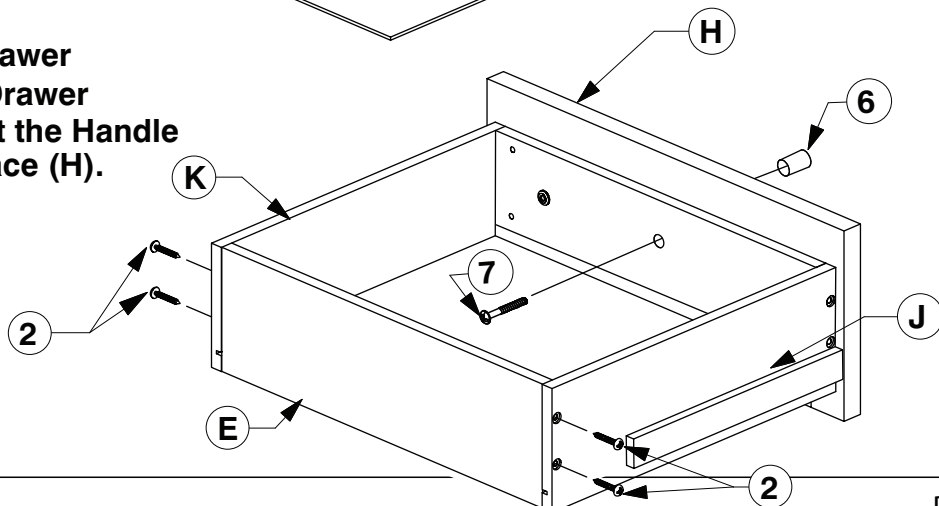
### 4 Slide the Drawer Bottom (L) into the groove on the Drawer Sides (J & K).

x2



### 5 Assemble the Drawer Back (E) to the Drawer Sides (J & K). Fit the Handle to the Drawer Face (H).

x2

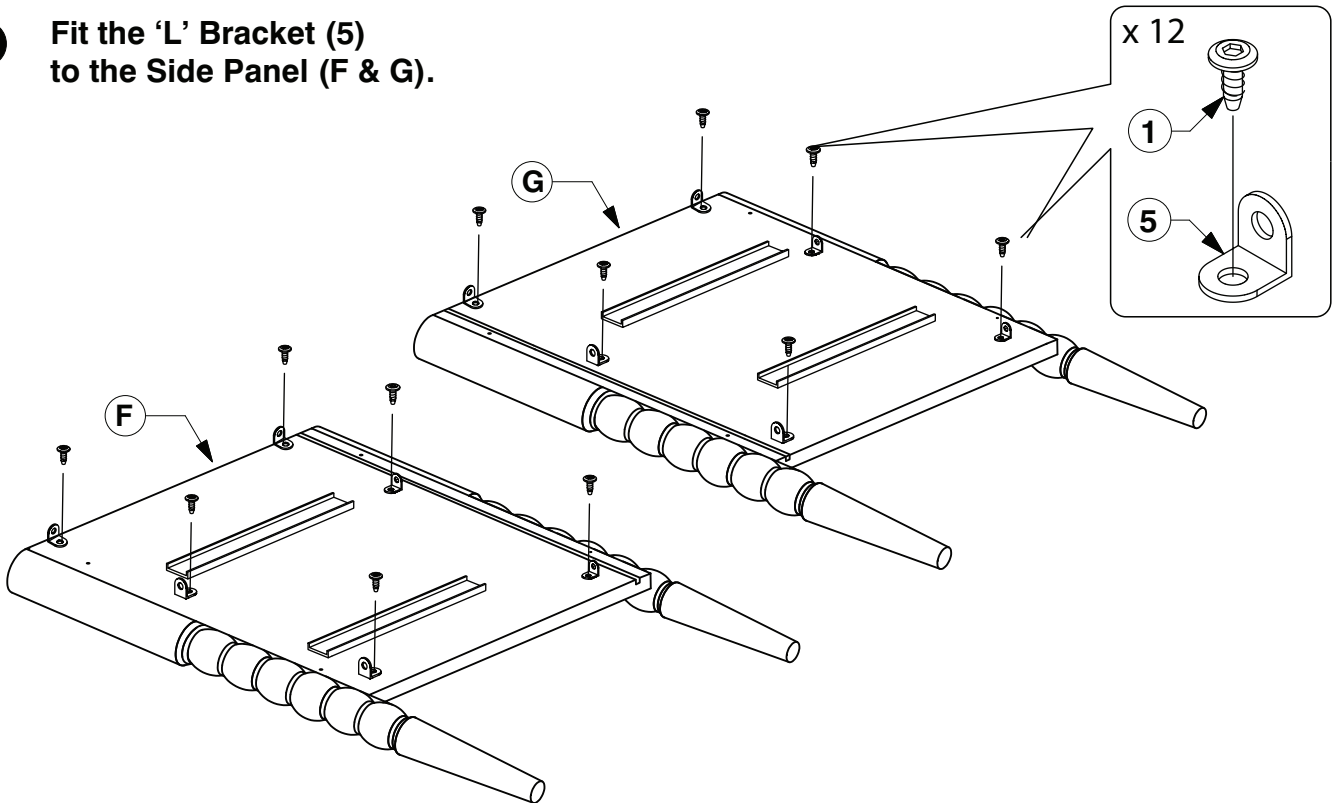


# 9011 2 Drawer Nightstand

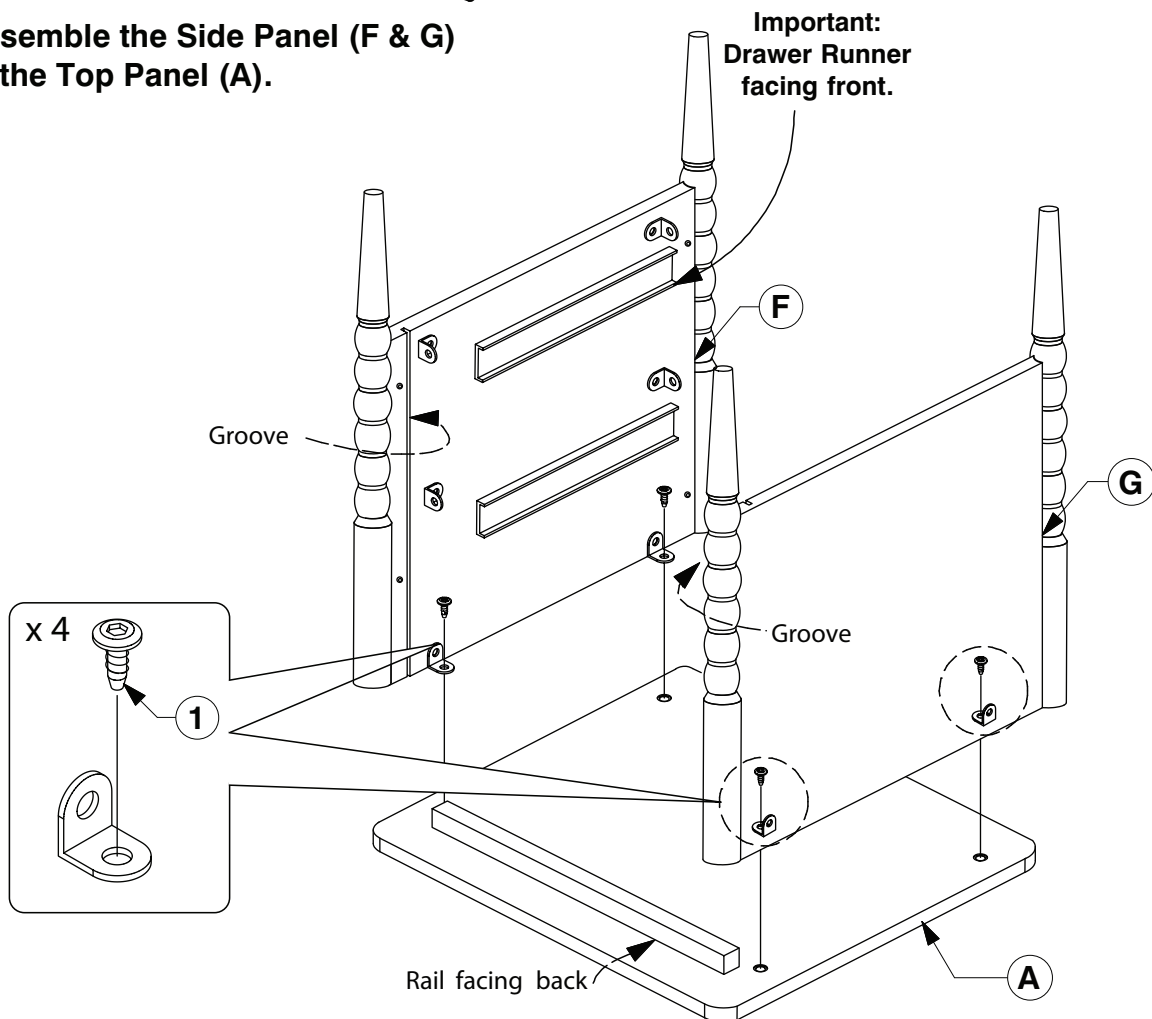
## Assembly Instructions

WI-0724

- 6** Fit the 'L' Bracket (5) to the Side Panel (F & G).



- 7** Assemble the Side Panel (F & G) to the Top Panel (A).

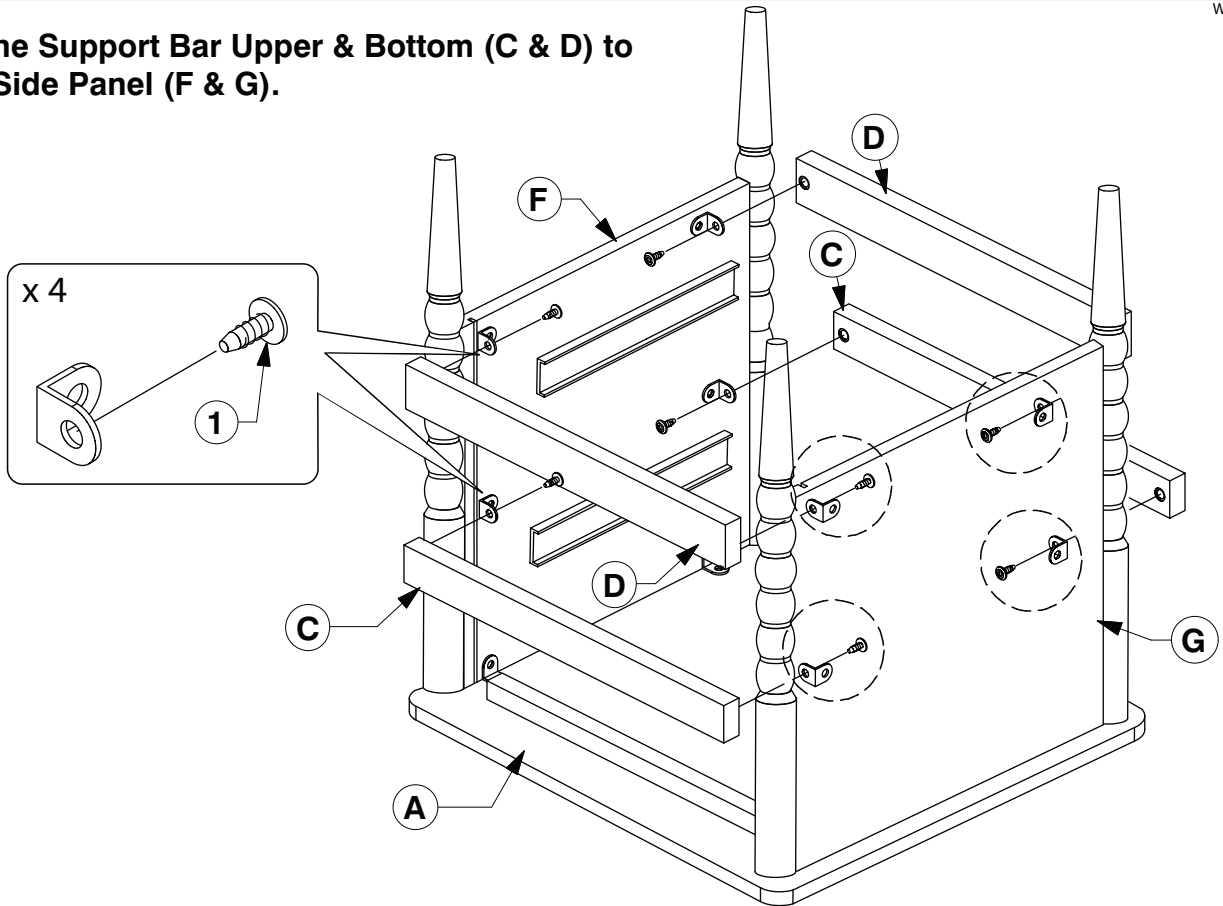


# 9011 2 Drawer Nightstand

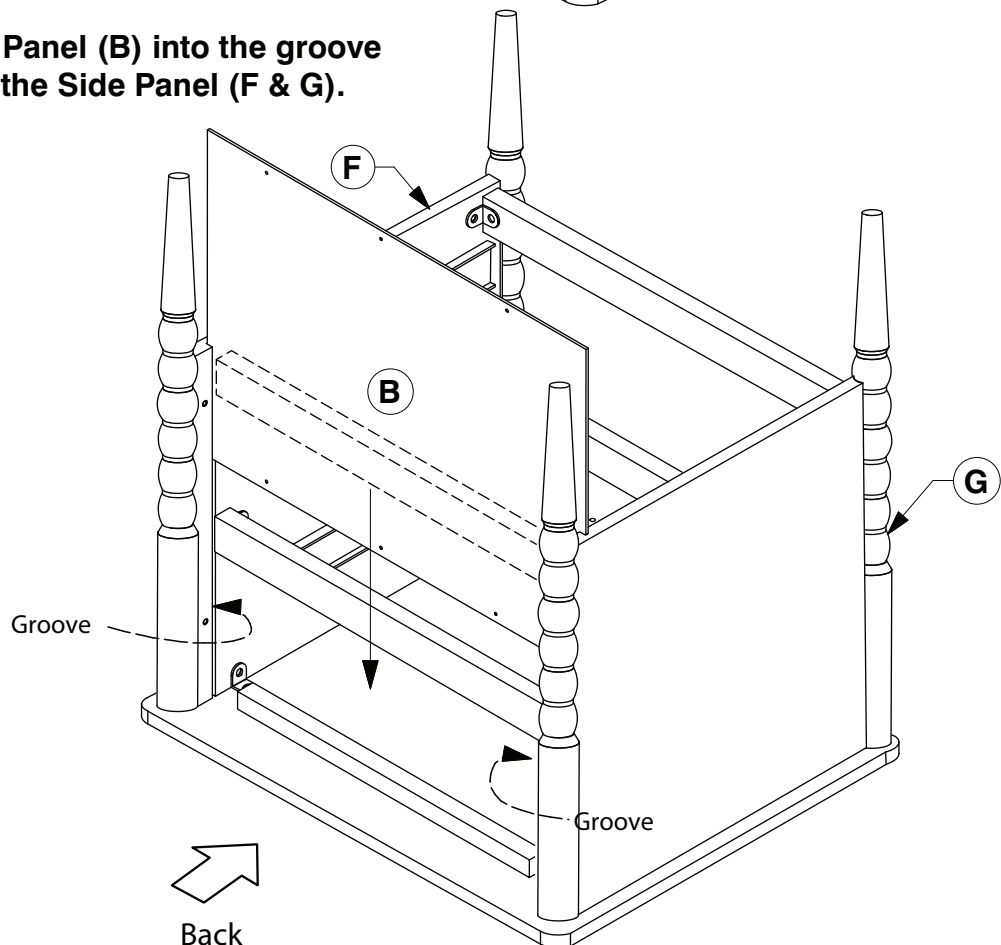
## Assembly Instructions

WI-0724

- 8** Fit the Support Bar Upper & Bottom (C & D) to the Side Panel (F & G).



- 9** Slide the Back Panel (B) into the groove on the back of the Side Panel (F & G).

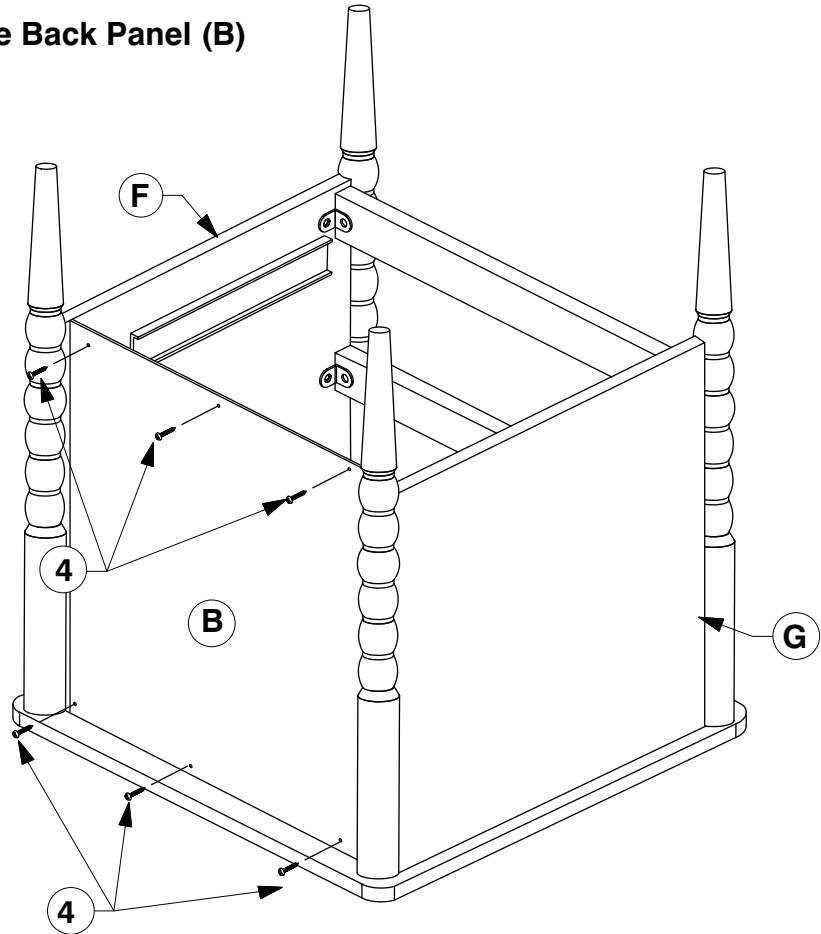


# 9011 2 Drawer Nightstand

## Assembly Instructions

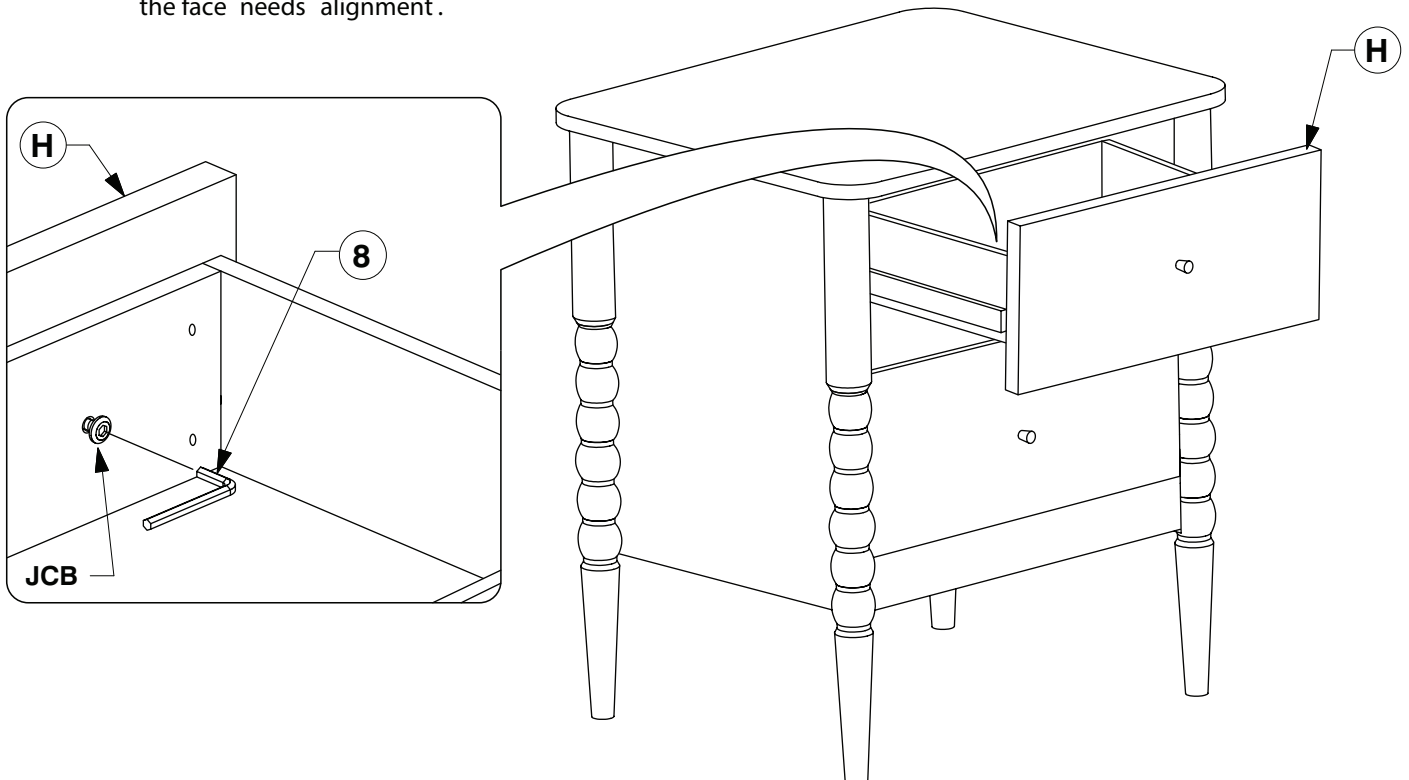
WI-0724

- 10** Use Screw to tighten the Back Panel (B) to the back of frame.



- 11** Fit and adjust the Drawer Face (H).

\* NOTE: Before fitting the Wood Screws .  
Losen the JCBs on the Drawer Face if the face needs alignment.

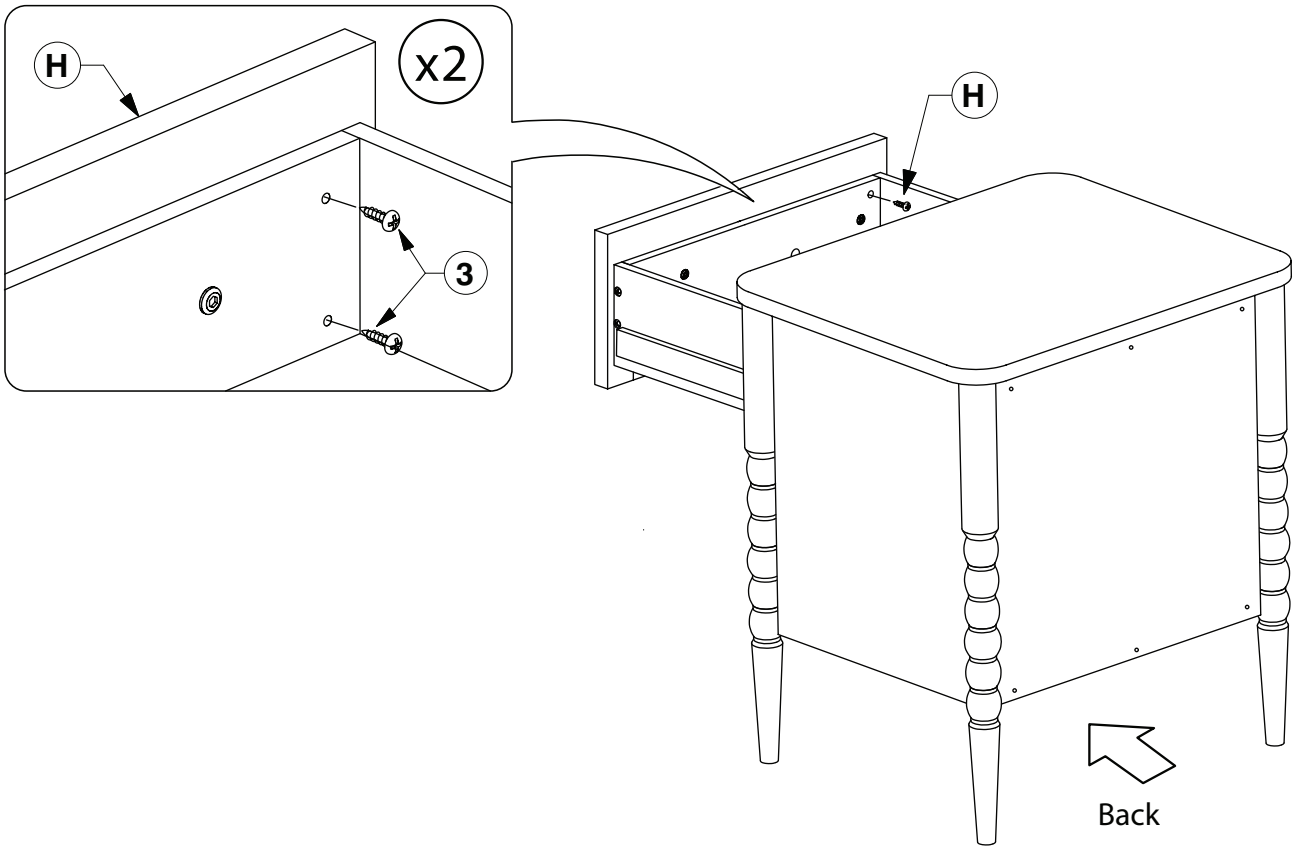


# 9011 2 Drawer Nightstand

Assembly Instructions

WI-0924

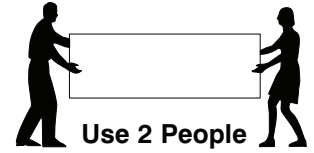
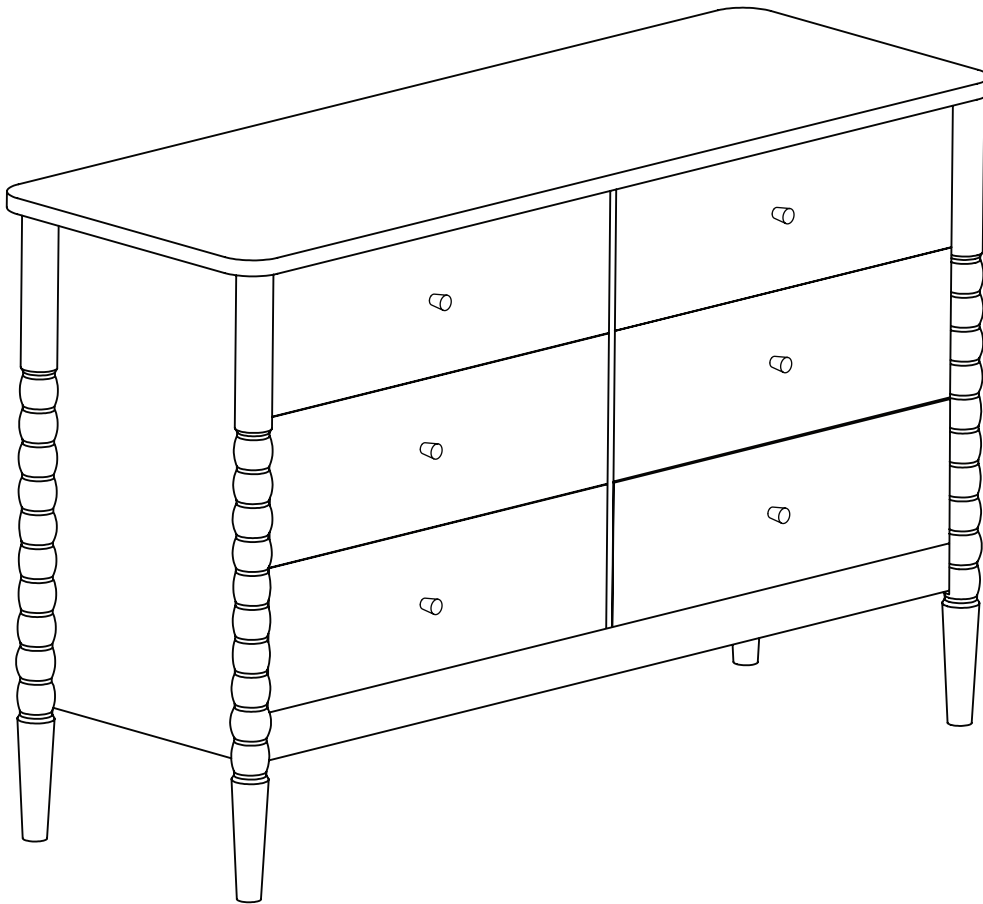
**12** After the Drawer Faces (H) are aligned, secure with wood screws.



# 9011 6 Drawer Dresser

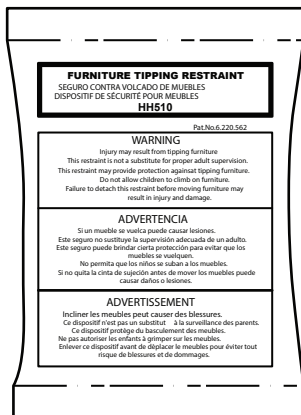
## Assembly Instructions

WI-0724



**Note:** Do not assemble using power tools. This can cause the bolts to be overtightened

### WARNING



Anti Tipping Kit  
Anti Tipping Kit x 1



Children have died from furniture tipover.

To reduce the risk of furniture tipover:

- ALWAYS install anti-tip device provided.
- NEVER put a TV on this product.
- NEVER allow children to stand, climb, or hang on any drawers, doors or shelves.
- NEVER open more than one drawer at a time.
- DO NOT defeat or remove the drawer interlock system; it is an important stability and safety system.
- Place heaviest items in the lowest drawer.

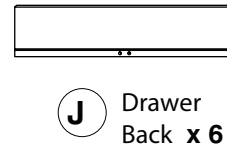
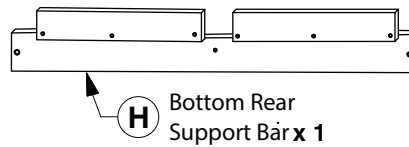
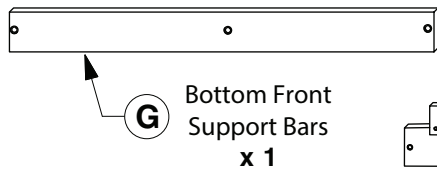
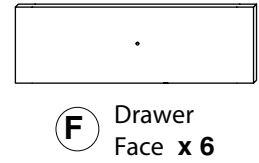
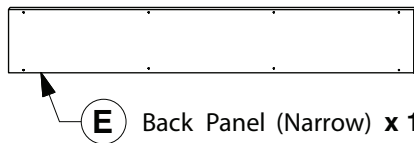
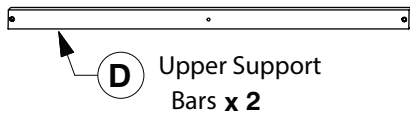
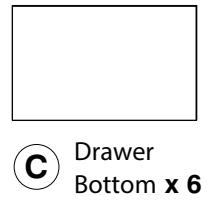
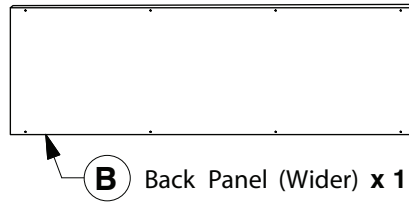
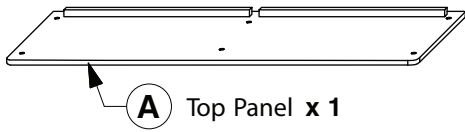
# 9011 6 Drawer Dresser

## Assembly Instructions

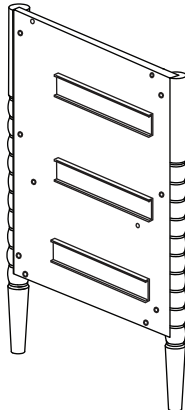
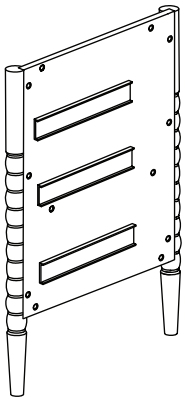
WI-0724

### 1 Parts List

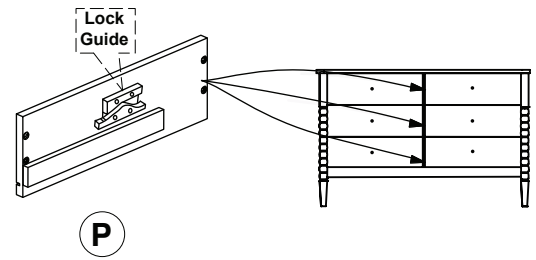
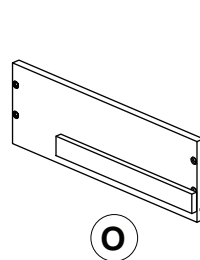
Parts in Box A:



Parts in Box B:

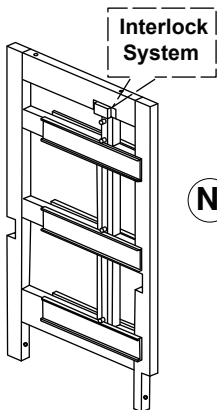


Parts for **LEFT** Side Drawer

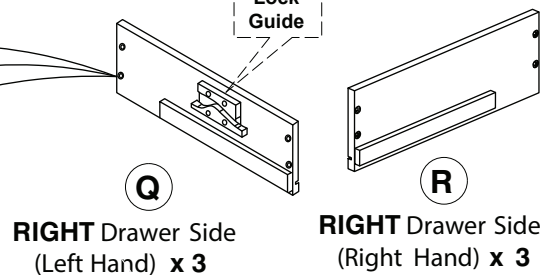
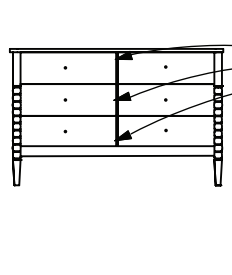


**L** Side Panel (Left Hand) x 1

**M** Side Panel (Right Hand) x 1



Parts for **RIGHT** Side Drawer

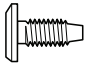
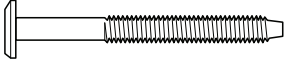

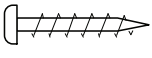
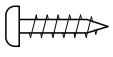
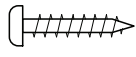



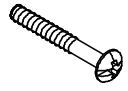



# 9011 6 Drawer Dresser

## Assembly Instructions

WI-0724

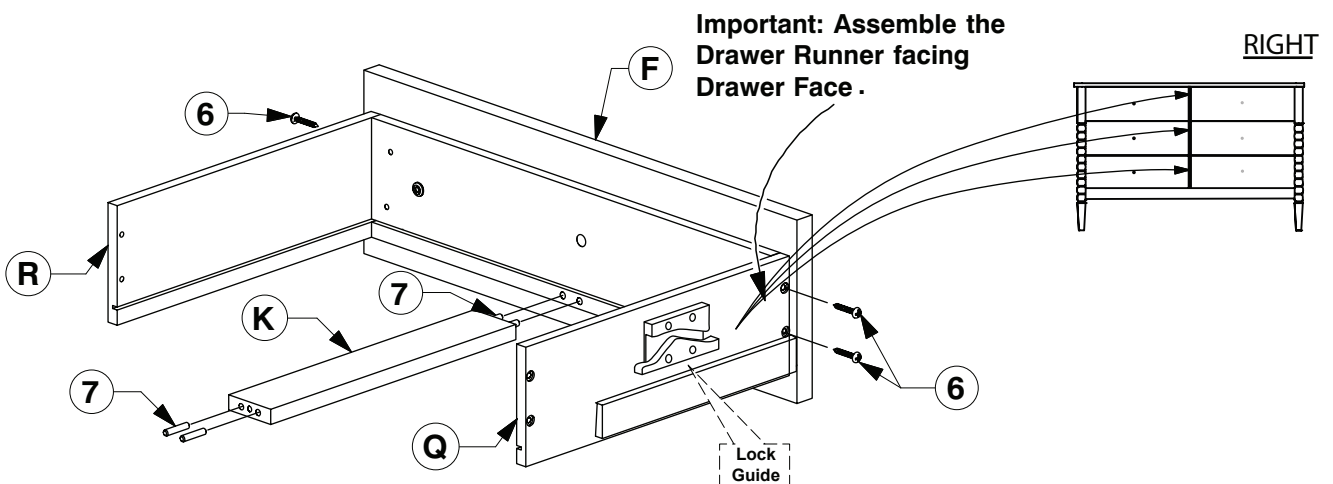
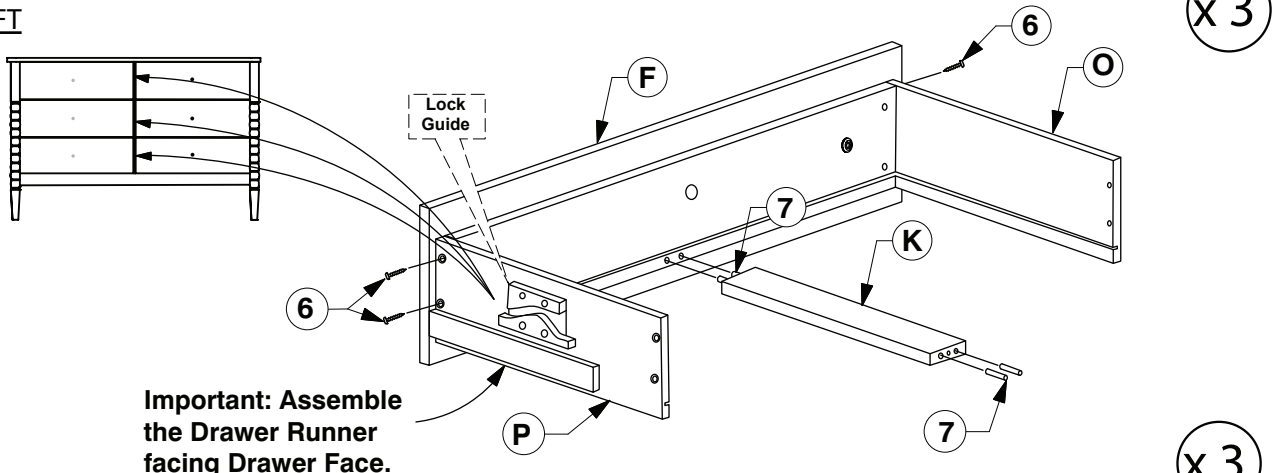
### 2 Hardware List

- |   |   |   |   |
|---|---|---|---|
|  |  |   |  |
| 1 M6 x 15mm JCB x 24  | 2 M6 x 60mm JCB x 2   | 3 M6 x 30mm JCB x 4   | 4 Wood Screw (M4 x 32mm) x 16   |
|  |  |   |  |
| 5 Wood Screw (M4 x 20mm) x 24   | 6 Wood Screw (M4 x 25mm) x 60   | 7 M6 x 25mm Wood Dowel x 24   | 8 'L' Bracket (5005-3) x 12   |
|  |  |  |   |
| 9 Handle (1005) x 6   | 10 M4 x 20mm Wood Screw x 6   | 11 Allen Key x 1  |   |

### 3 Assemble the Drawers.

#### STEP 3.1

LEFT



# 9011 6 Drawer Dresser

## Assembly Instructions

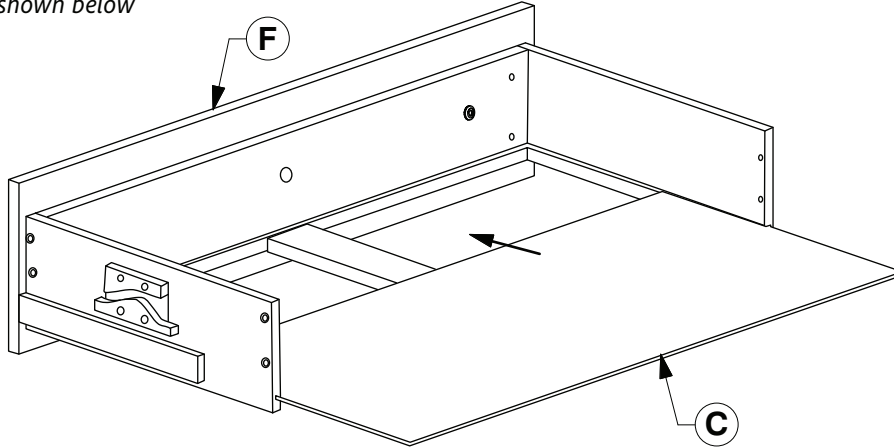
WI-0924

### 3 Assemble the Drawers.

#### STEP 3.2

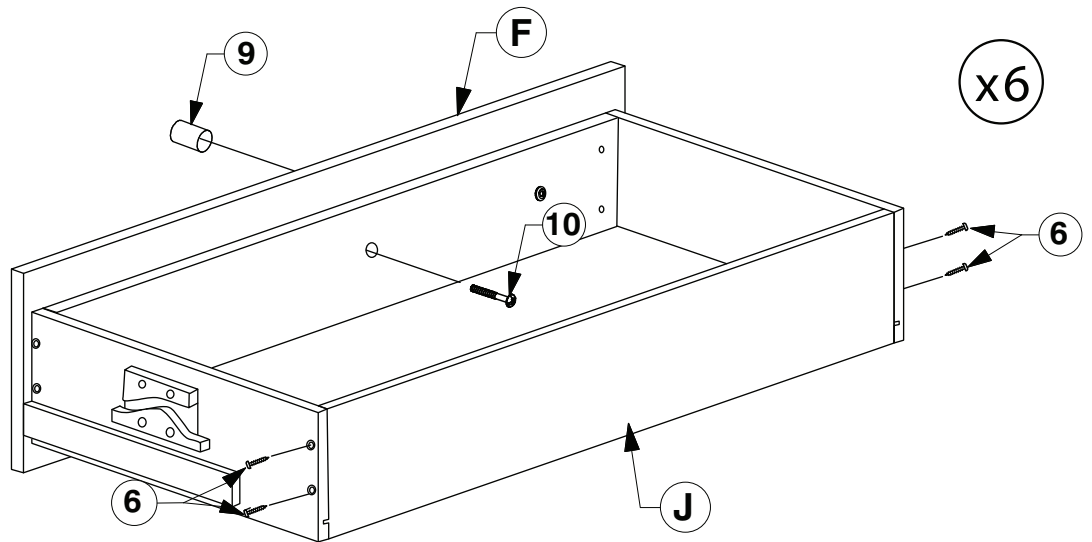
x6

\* 3 Assemble the left and right drawers as shown below



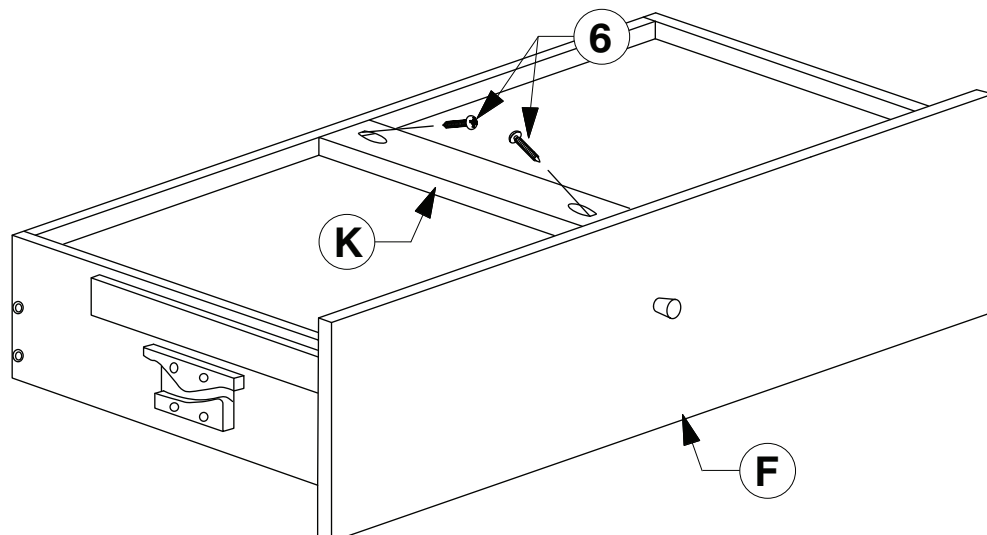
#### STEP 3.3

x6



#### STEP 3.4

x6

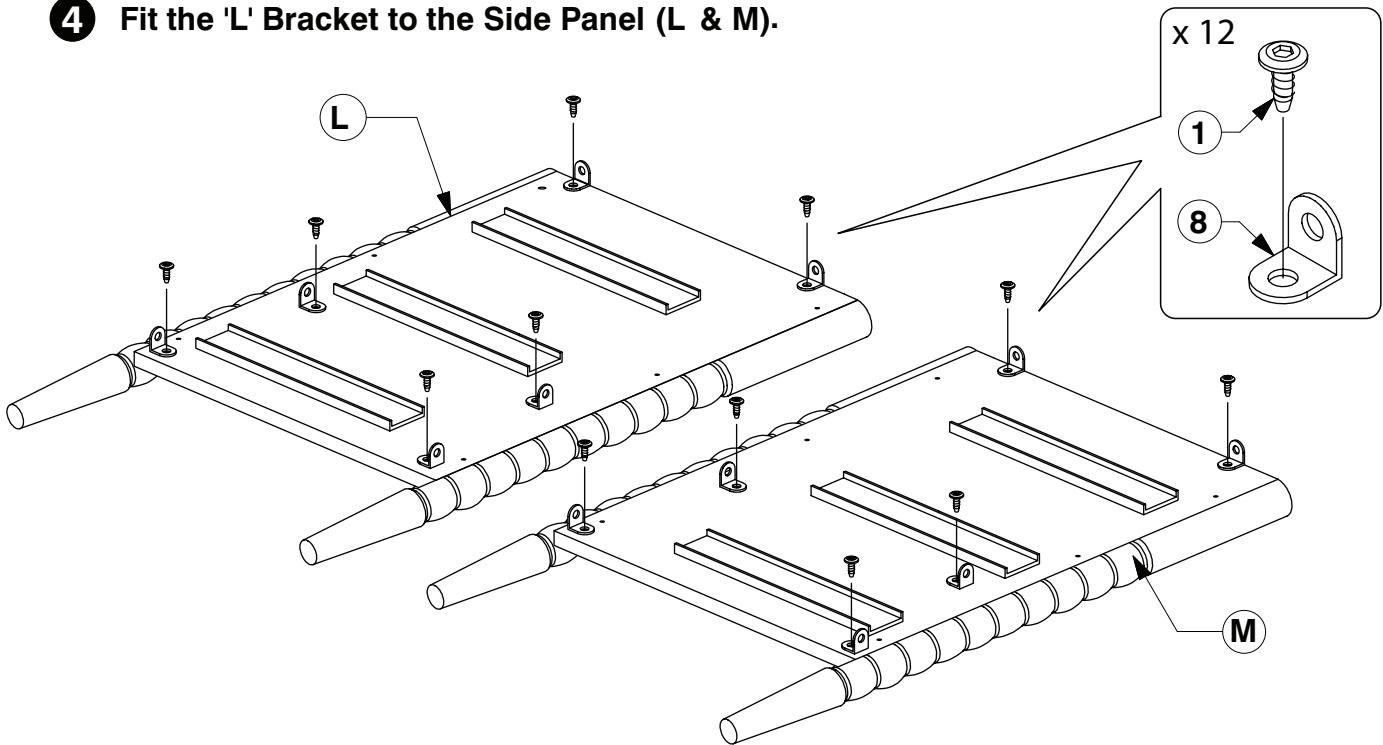


# 9011 6 Drawer Dresser

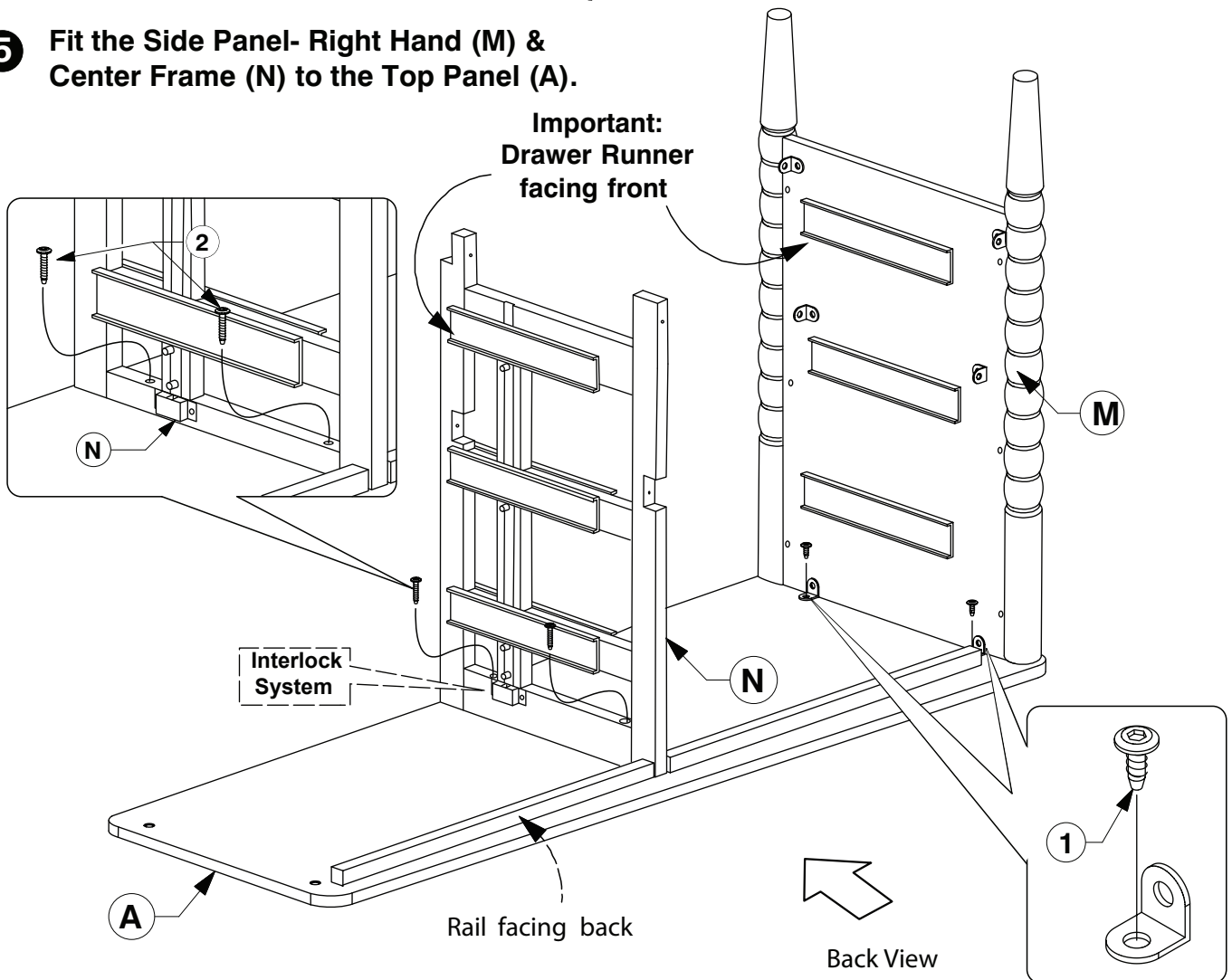
## Assembly Instructions

WI-0724

### 4 Fit the 'L' Bracket to the Side Panel (L & M).



### 5 Fit the Side Panel- Right Hand (M) & Center Frame (N) to the Top Panel (A).

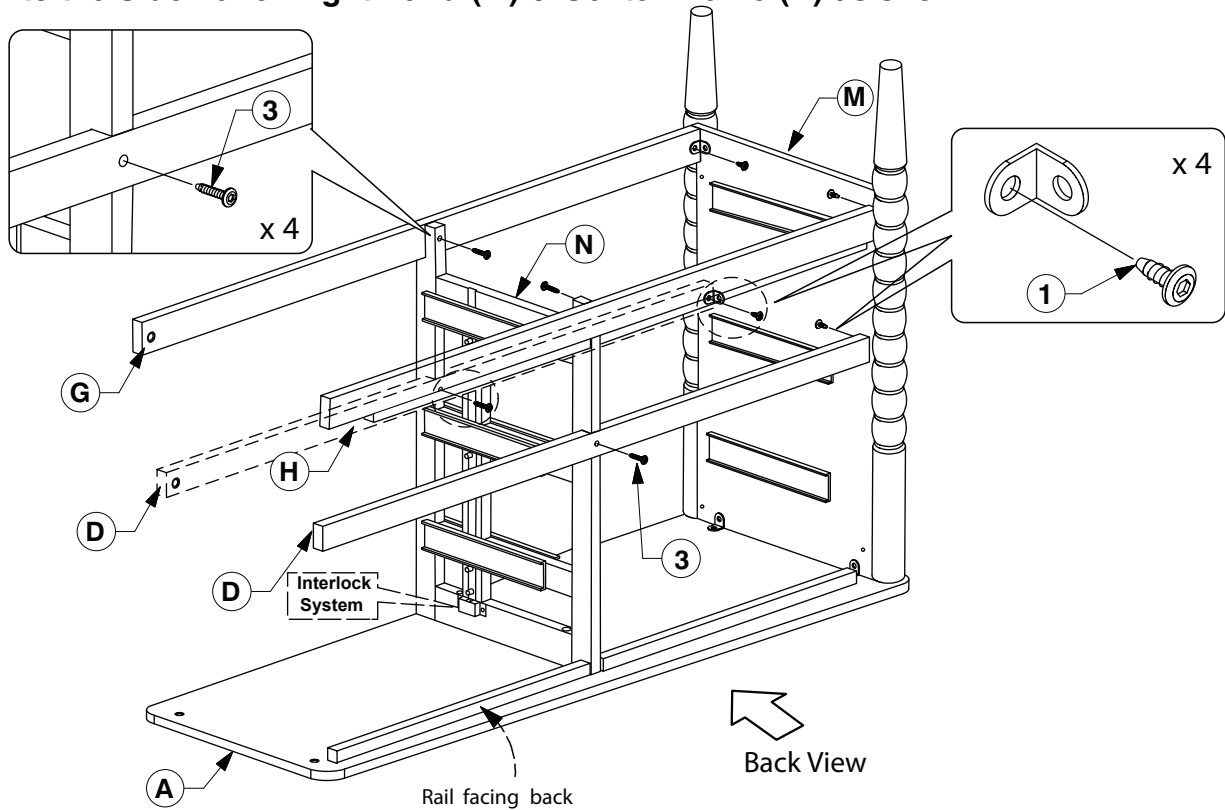


# 9011 6 Drawer Dresser

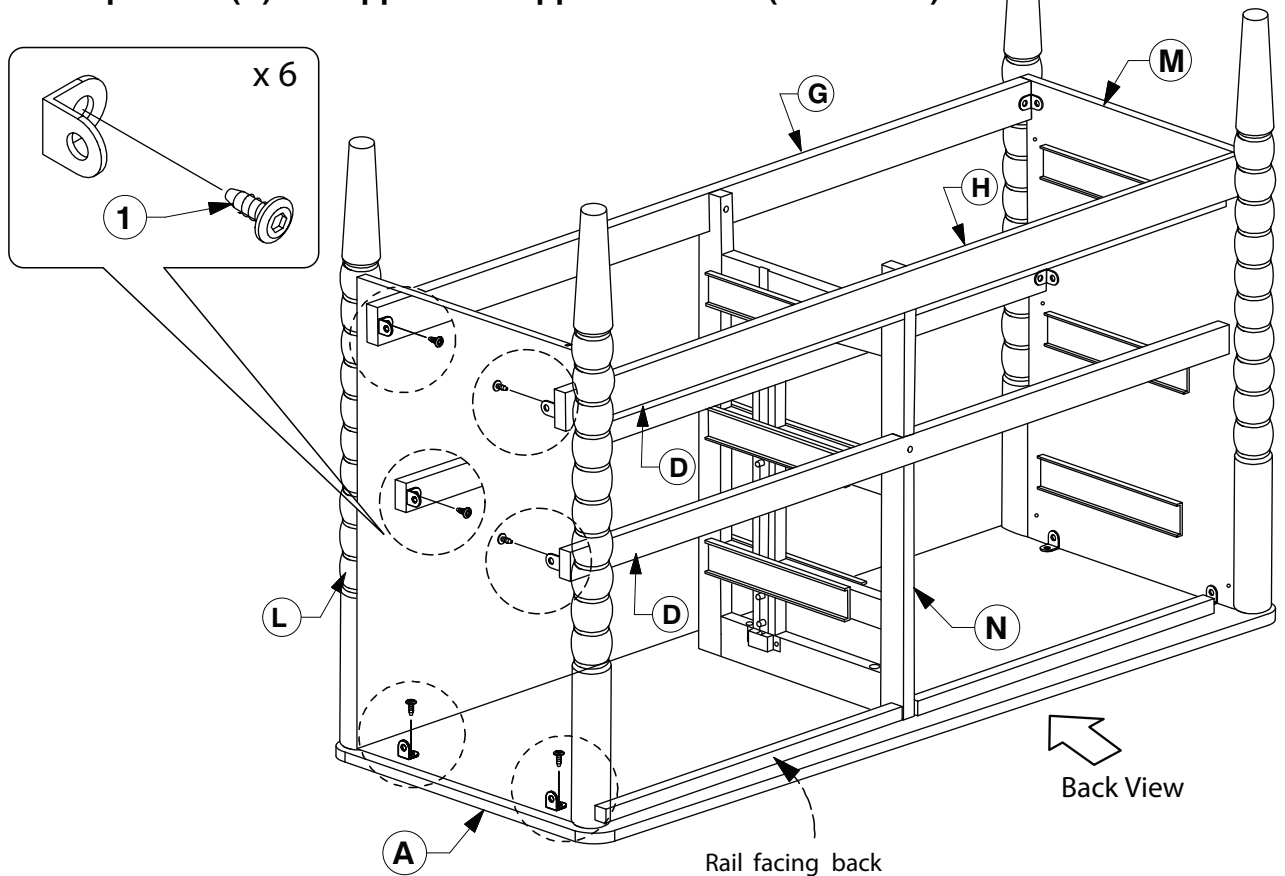
## Assembly Instructions

WI-0724

- 6** Fit the Upper Support Bar (D) and Bottom Front & Rear Support Bars (G & H) to the Side Panel-Right Hand (M) & Center Frame (N) as shown.



- 7** Fit the other side of Side Panel- Left Hand (L) to the Top Panel (A) & Support Bar Upper & Bottom (D & G & H).

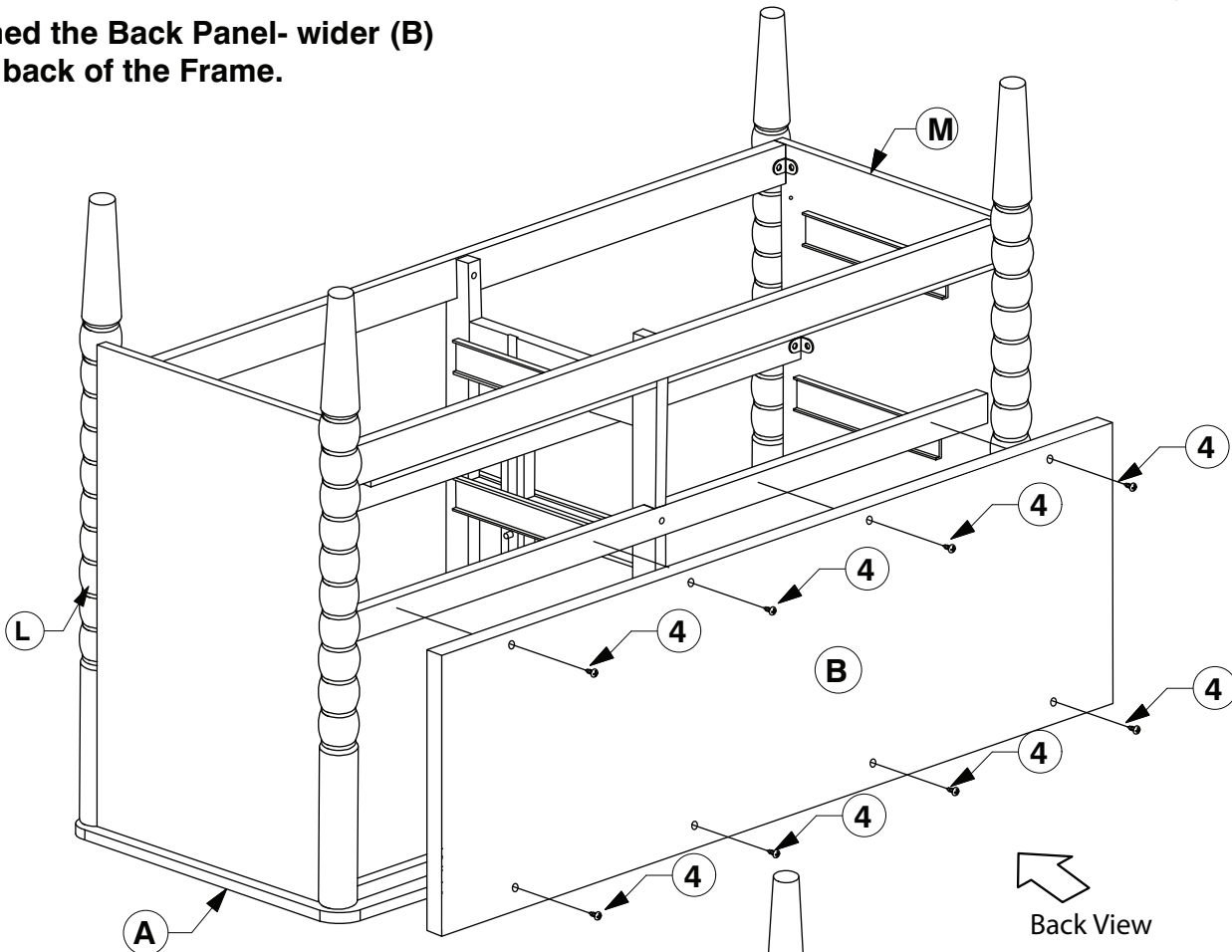


# 9011 6 Drawer Dresser

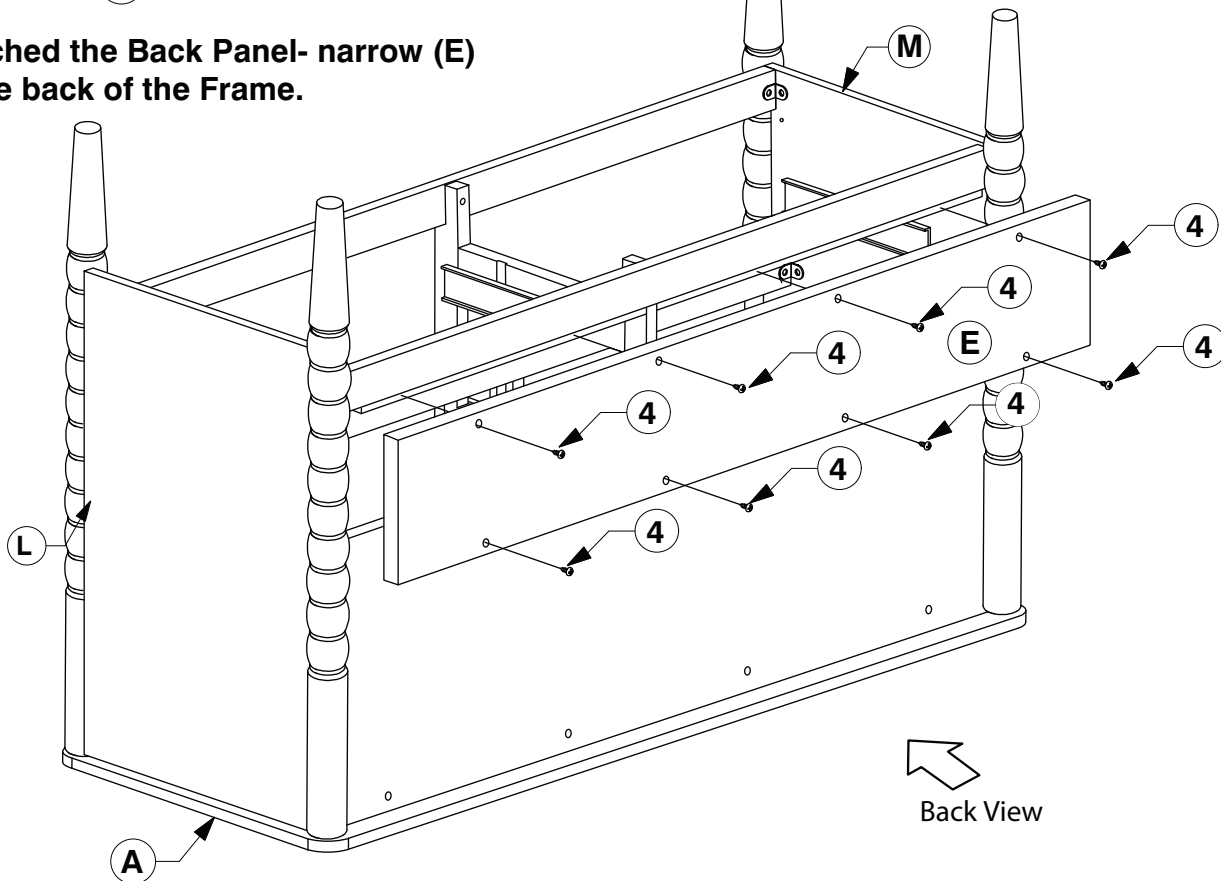
## Assembly Instructions

WI-0724

- 8** Attached the Back Panel- wider (B) to the back of the Frame.



- 9** Attached the Back Panel- narrow (E) to the back of the Frame.



Back View

Back View

# 9011 6 Drawer Dresser

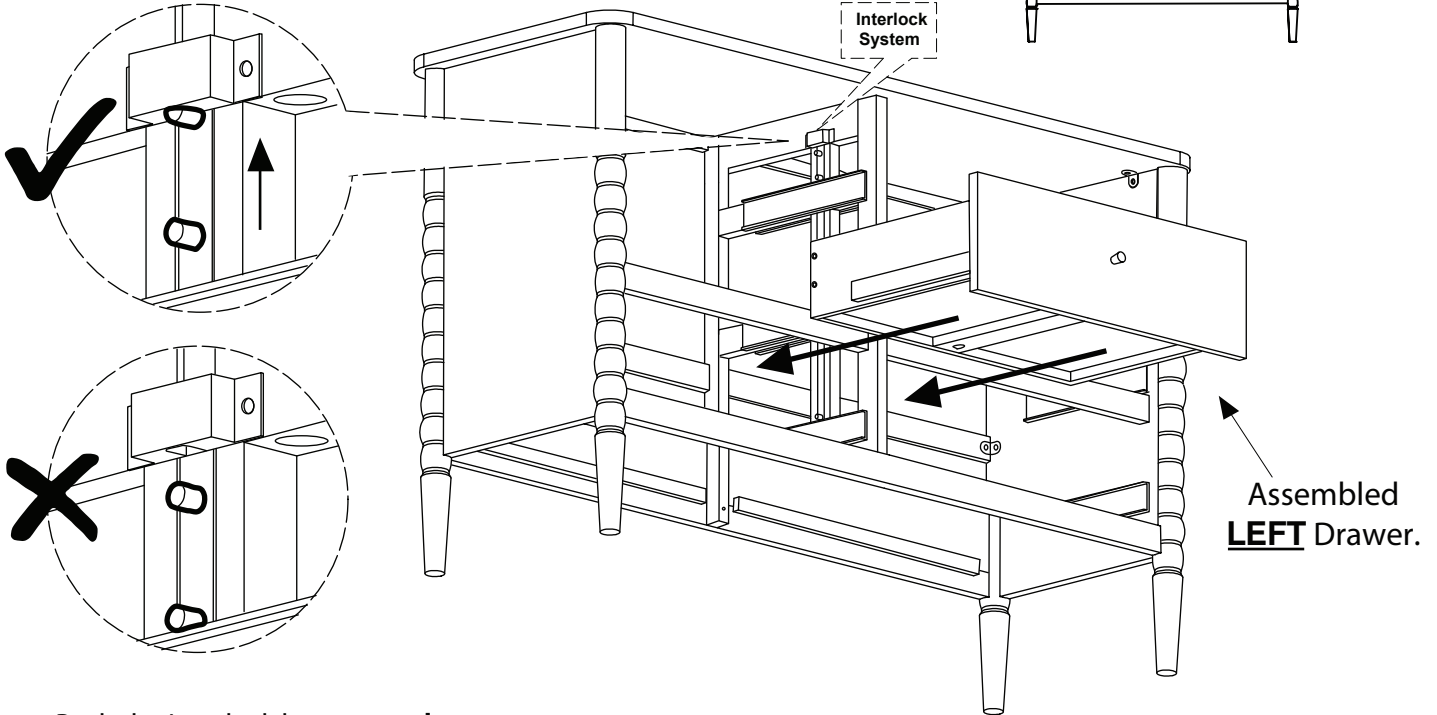
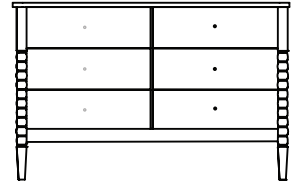
## Assembly Instructions

WI-0924

### 10 Install the Drawers.

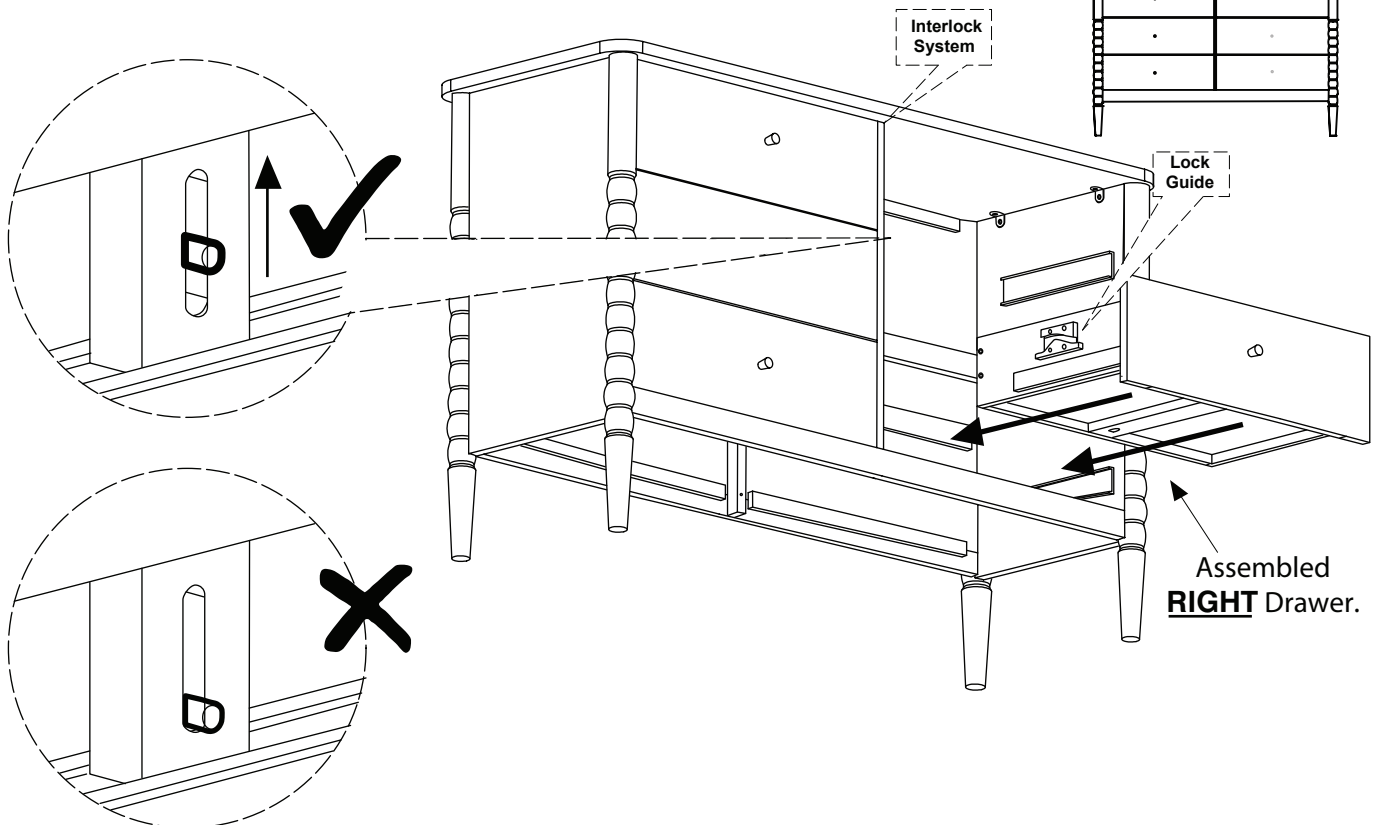
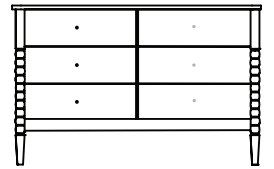
- Push the Interlock bar **upwards** before inserting the drawers.

LEFT



- Push the Interlock bar **upwards** before inserting the drawers.

RIGHT



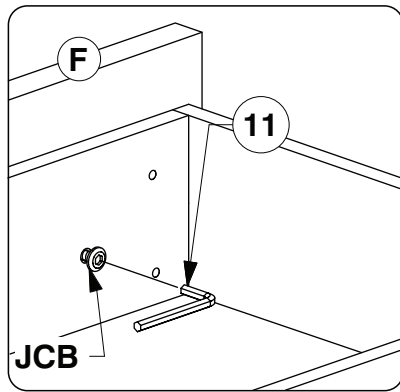
# 9011 6 Drawer Dresser

## Assembly Instructions

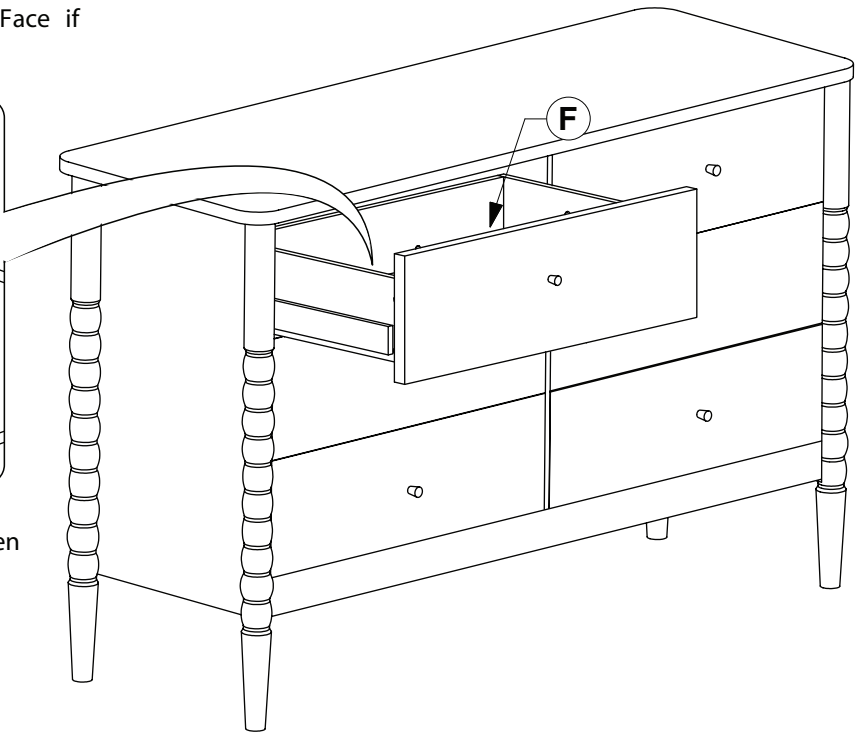
WI-0924

### 11 Adjust the Drawer Face (F).

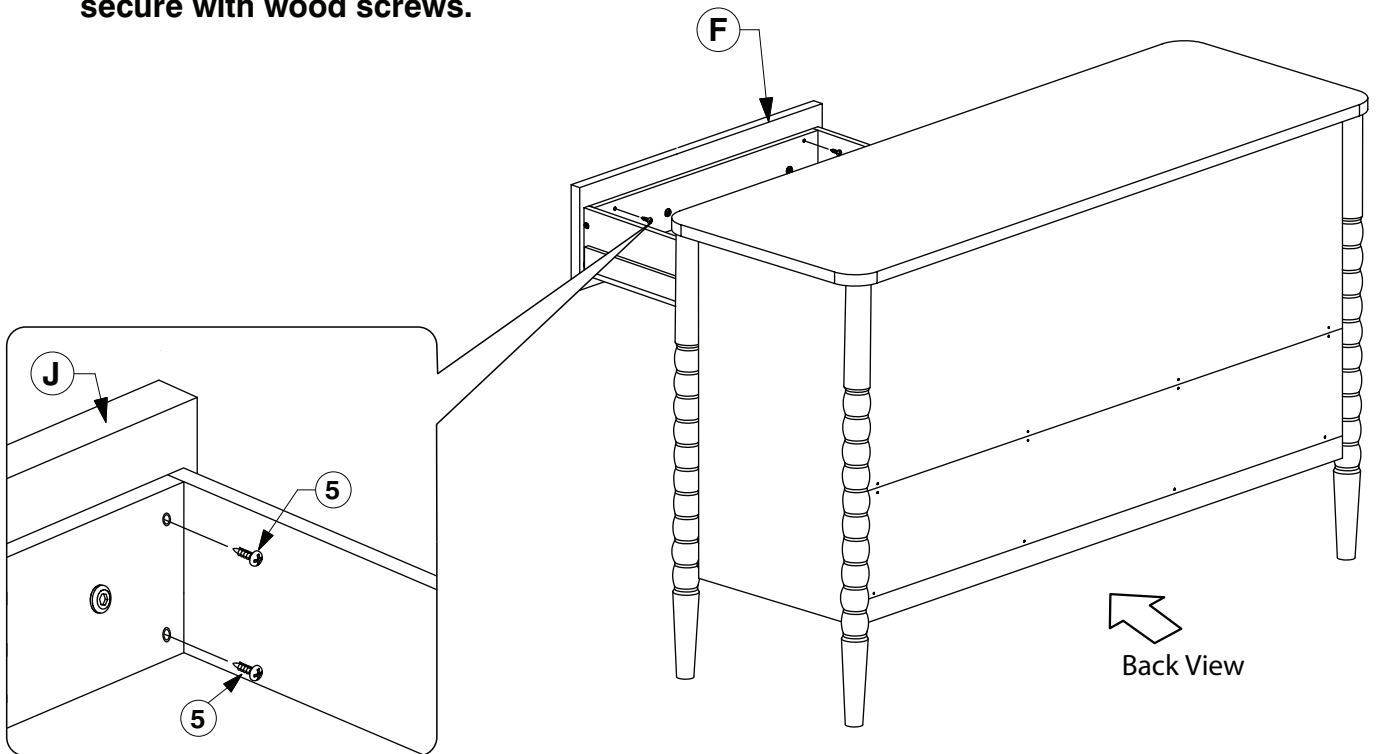
- \* NOTE: Before fitting the Wood Screws .  
Losen the JCBs on the Drawer Face if  
the face needs alignment.



- \* NOTE: Only one Drawer can be open  
at a time.



### 12 After the Drawer Faces (F) are aligned, secure with wood screws.



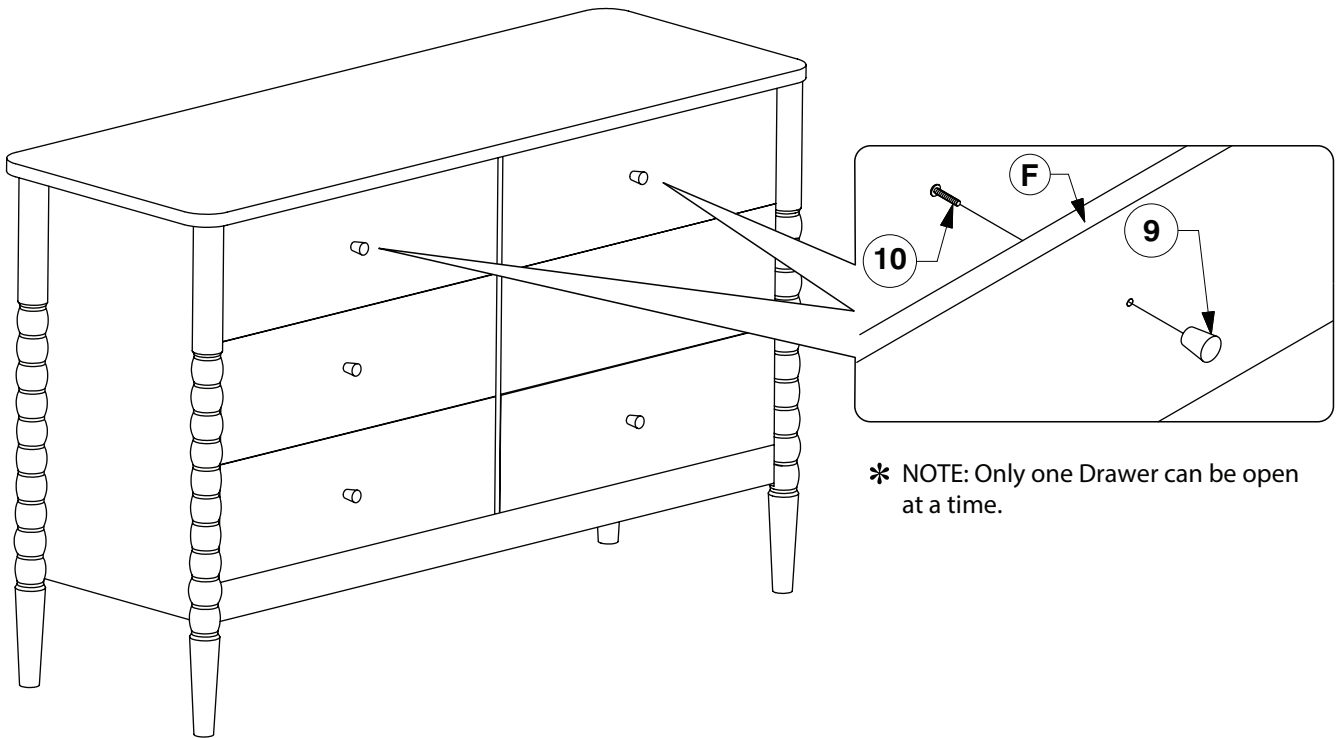
- \* NOTE: Only one Drawer can be open  
at a time.

# 9011 6 Drawer Dresser

## Assembly Instructions

WI-0924

**13** Finally, fit the Handle to the Drawer Face (F).



\* NOTE: Only one Drawer can be open at a time.

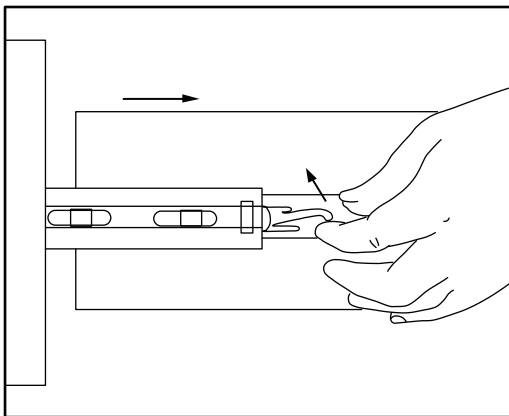
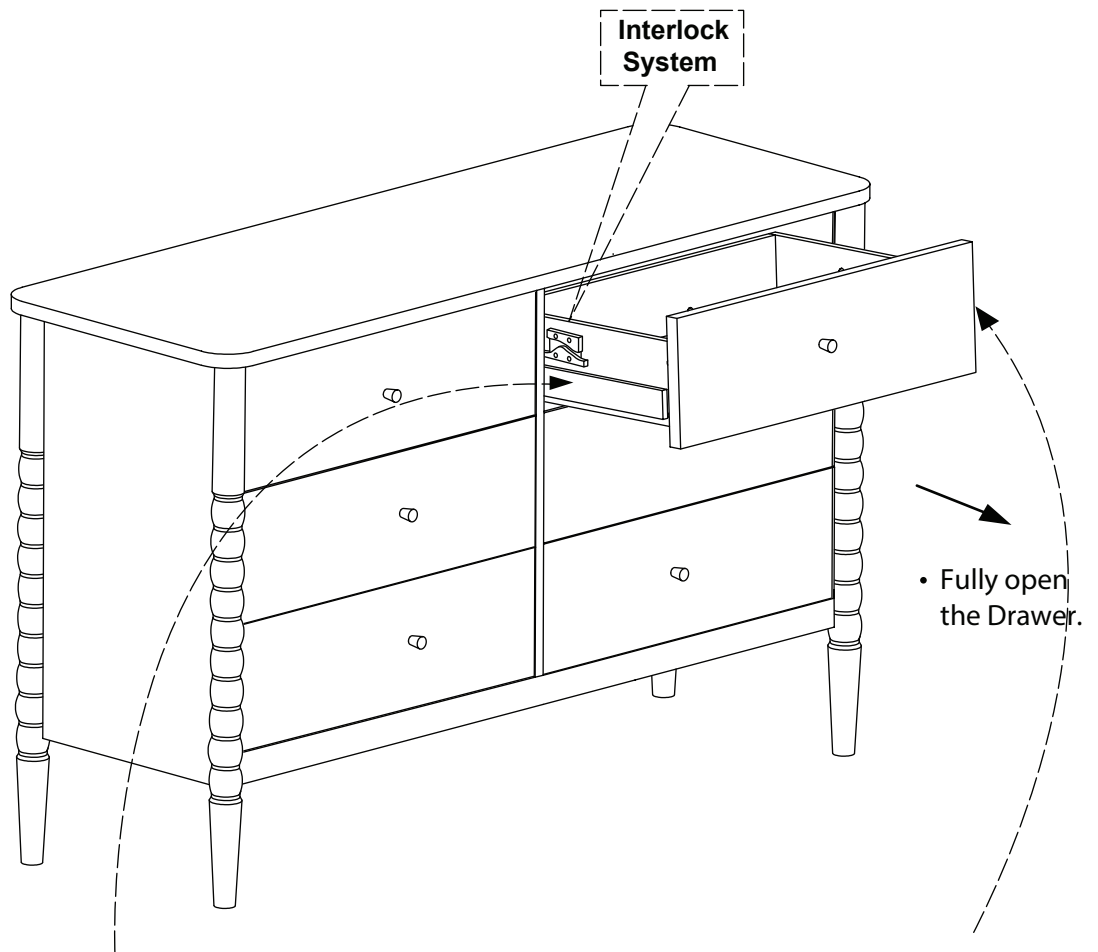
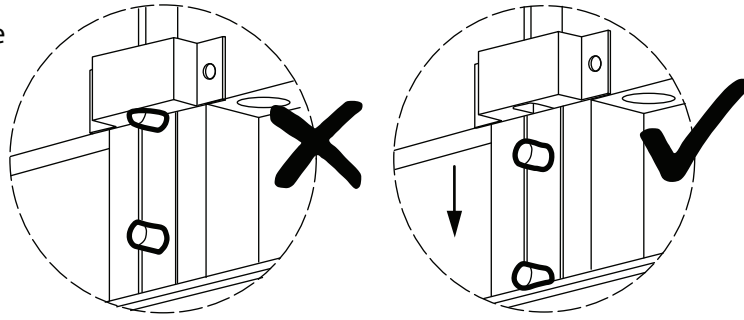
# 9011 6 Drawer Dresser

## Assembly Instructions

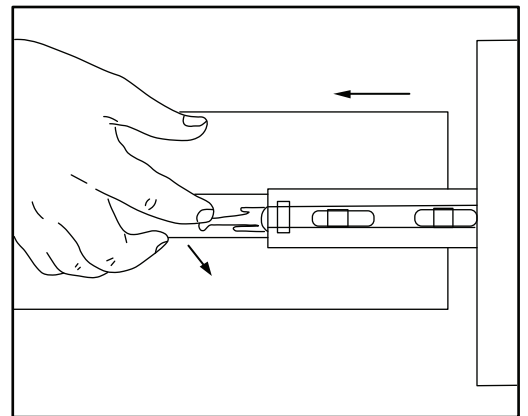
WI-0924

### 14 Remove the Drawers.

- After removing the top drawer, push the interlock bar **down**. Then remove the lower drawers.



- Lift the **LEFT** side clip up.

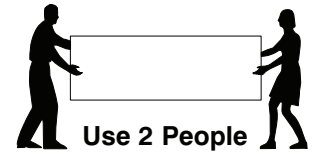
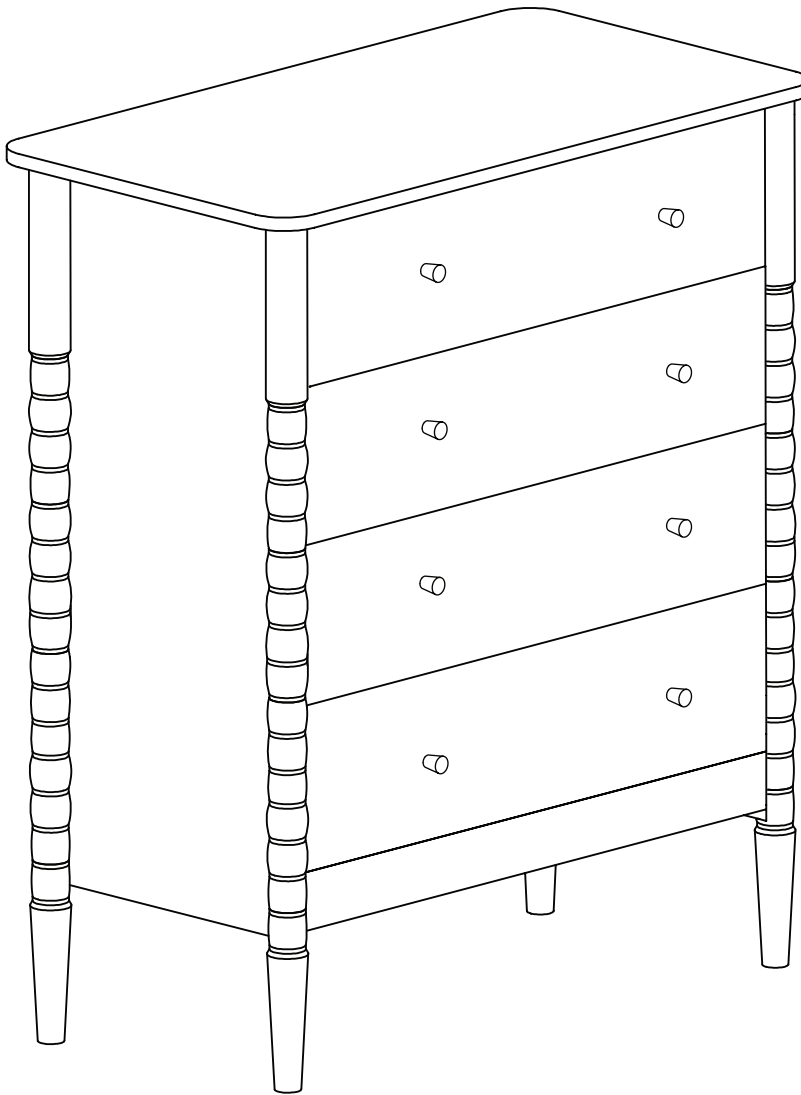


- Push the **RIGHT** side clip down.

# 9011 4 Drawer Chest

## Assembly Instructions

WI-0724



**Note:** Do not assemble using power tools. This can cause the bolts to be overtightened

### WARNING



Anti Tipping Kit  
Anti Tipping Kit x 1



Children have died from furniture tipover.

To reduce the risk of furniture tipover:

- ALWAYS install anti-tip device provided.
- NEVER put a TV on this product.
- NEVER allow children to stand, climb, or hang on any drawers, doors or shelves.
- NEVER open more than one drawer at a time.
- DO NOT defeat or remove the drawer interlock system; it is an important stability and safety system.
- Place heaviest items in the lowest drawer.

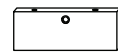
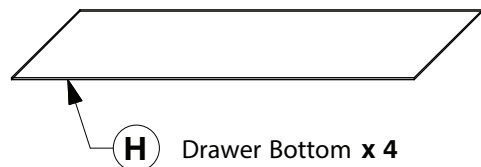
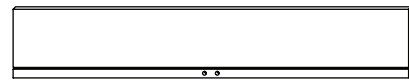
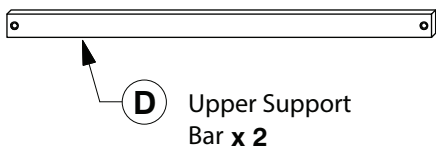
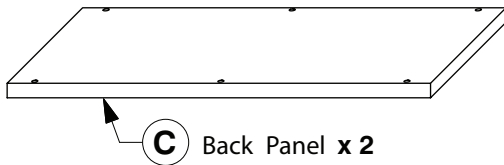
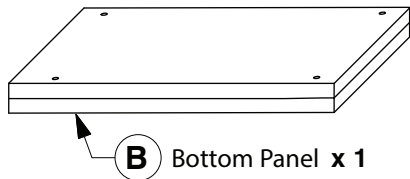
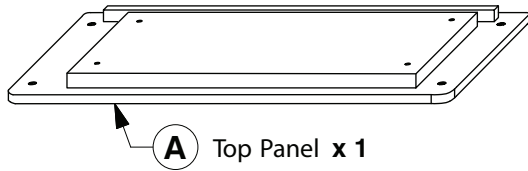
# 9011 4 Drawer Chest

## Assembly Instructions

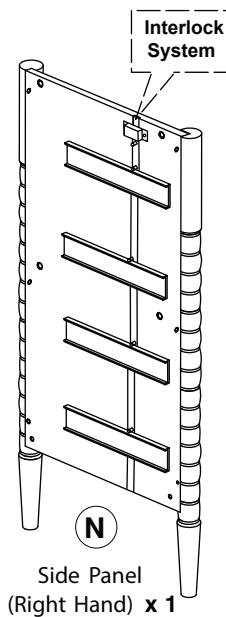
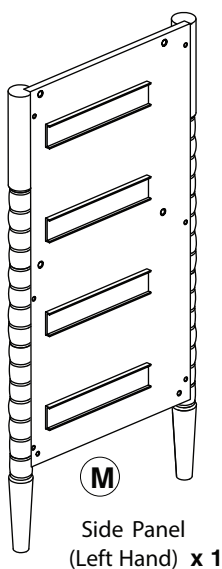
WI-0724

### 1 Parts List

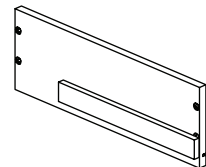
Parts in Box A:



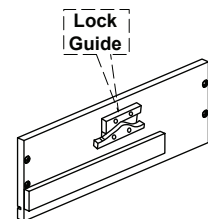
Parts in Box B:



**O** Drawer Side (Left Hand) x 4



**P** Drawer Side (Right Hand) x 4

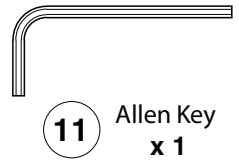
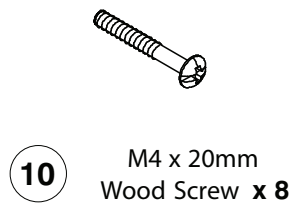
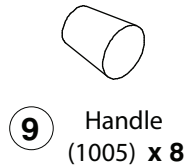
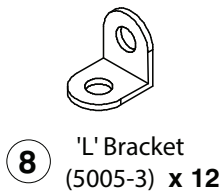
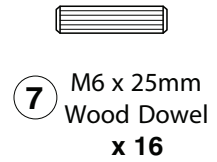
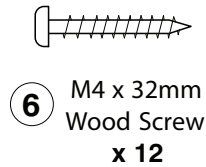
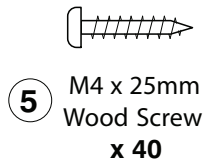
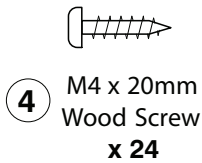
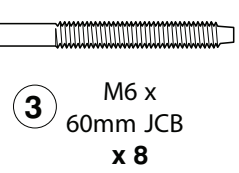
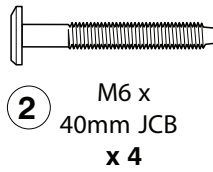
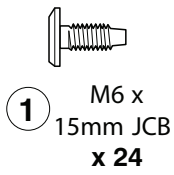


# 9011 4 Drawer Chest

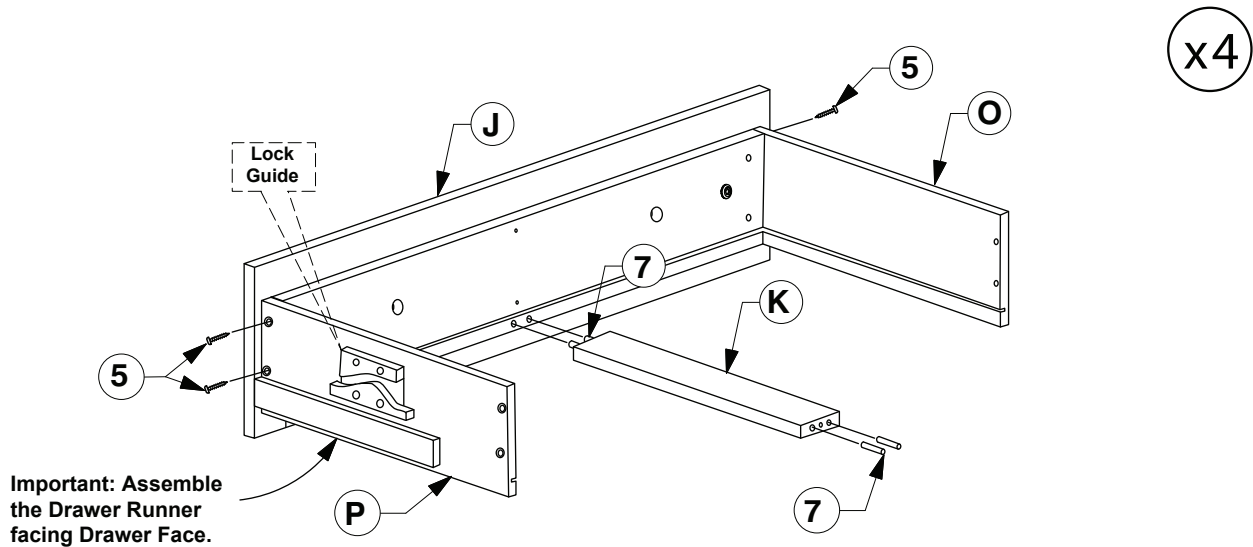
## Assembly Instructions

WI-0924

### 2 Hardware List



### 3 Assemble the Drawer Sides (O & P) & Drawer Rail (K) to the Drawer Face (J).



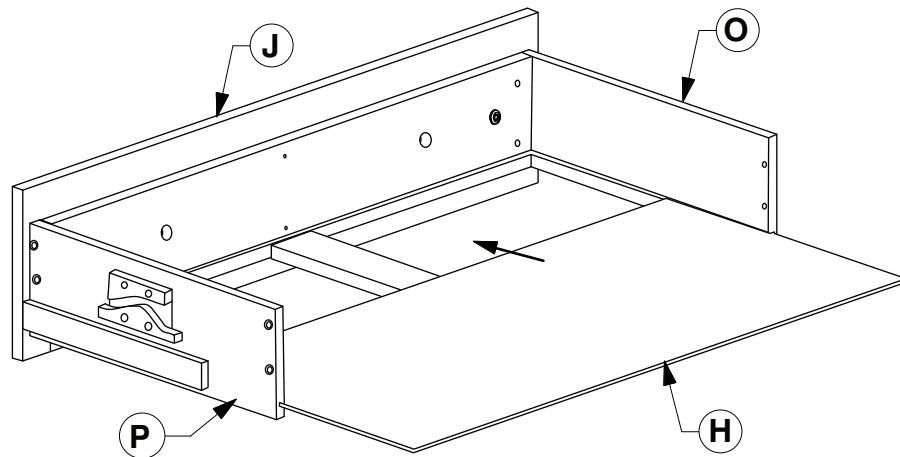
# 9011 4 Drawer Chest

## Assembly Instructions

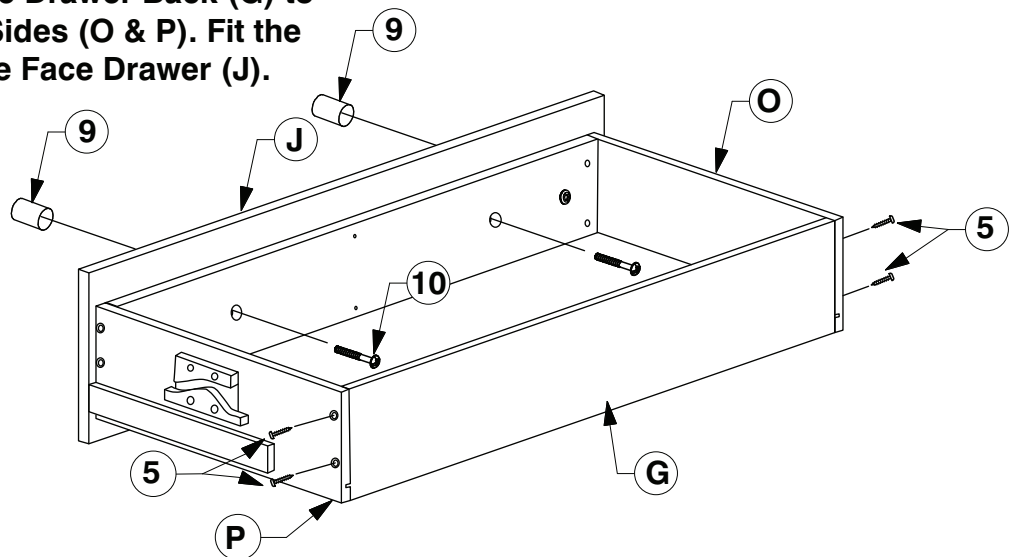
WI-0924

- 4** Slide the Drawer Bottom (H) into the groove on the Drawer Sides (O & P).

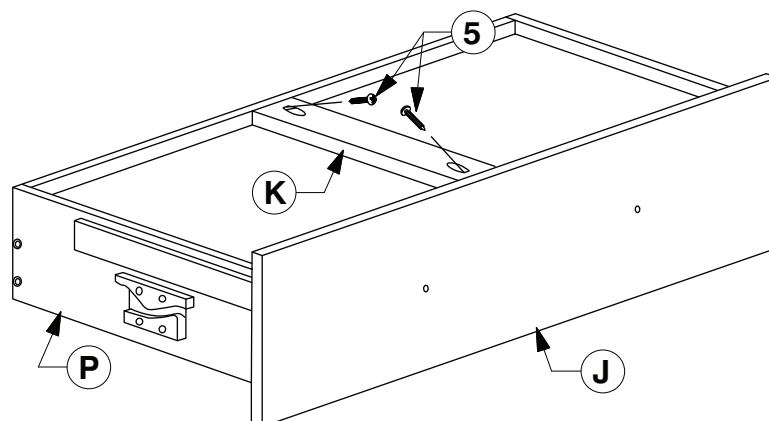
x4



- 5** Assemble the Drawer Back (G) to the Drawer Sides (O & P). Fit the Handle to the Face Drawer (J).



- 6** Turn the Drawer over to fit angled 25mm Wood screws (5) to the Drawer Rail (K).

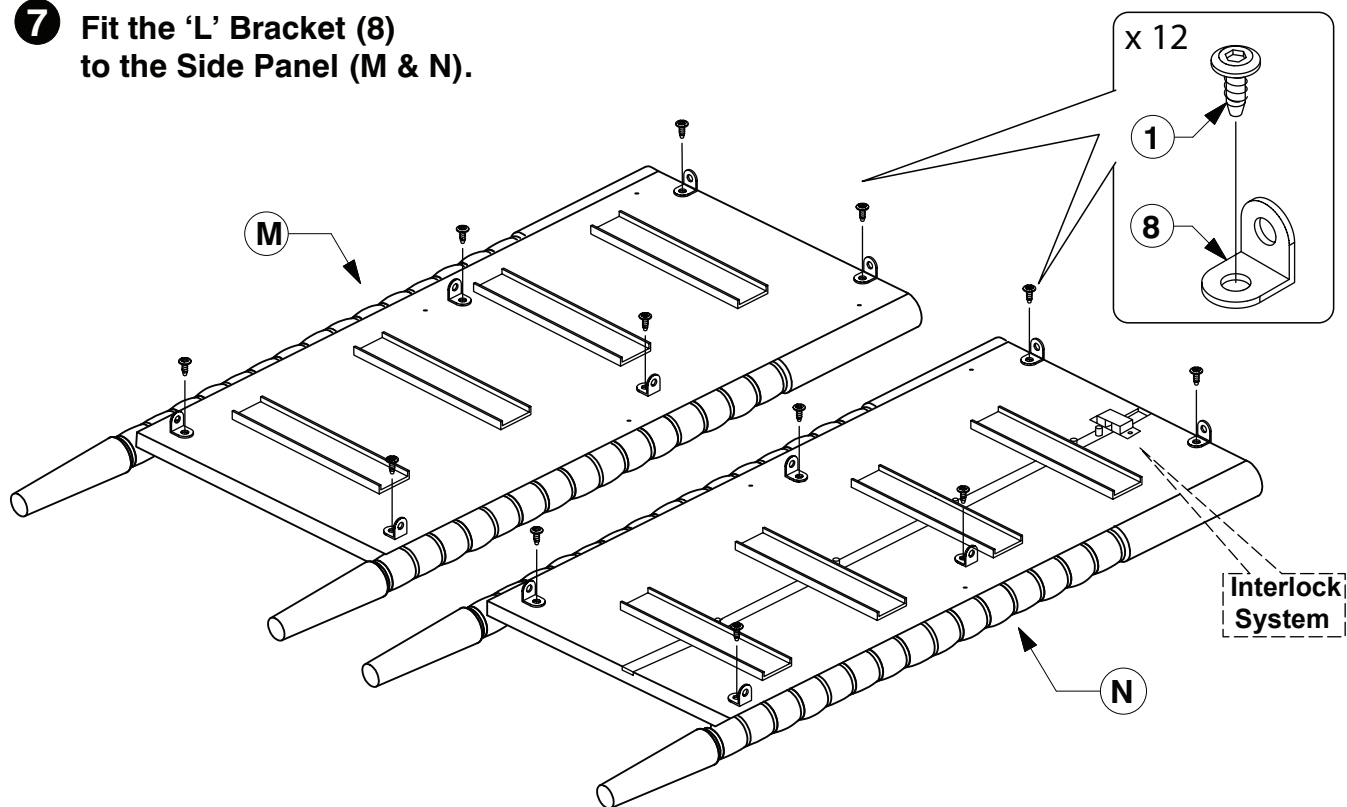


# 9011 4 Drawer Chest

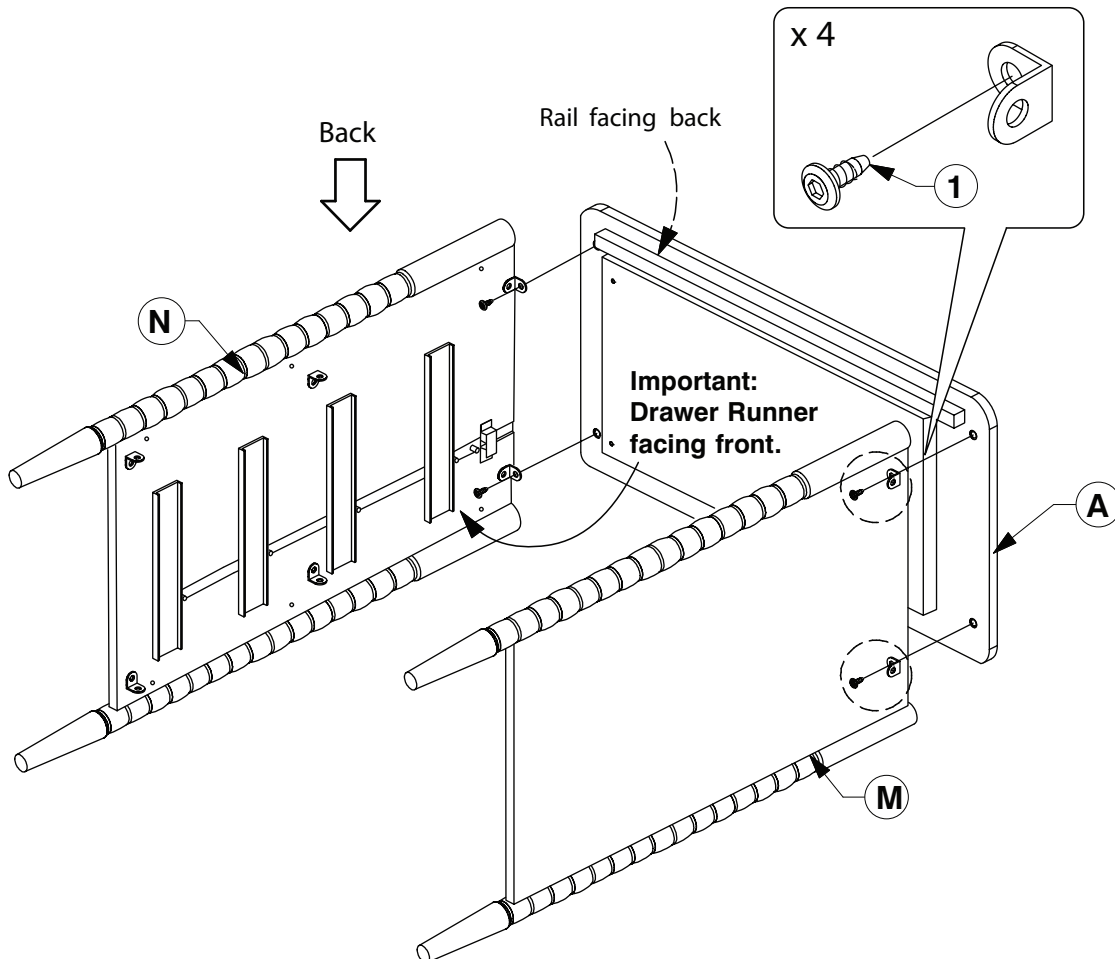
## Assembly Instructions

WI-0724

- 7** Fit the 'L' Bracket (8) to the Side Panel (M & N).



- 8** Assemble the Top Panel (A) to the Side Panel (M & N).

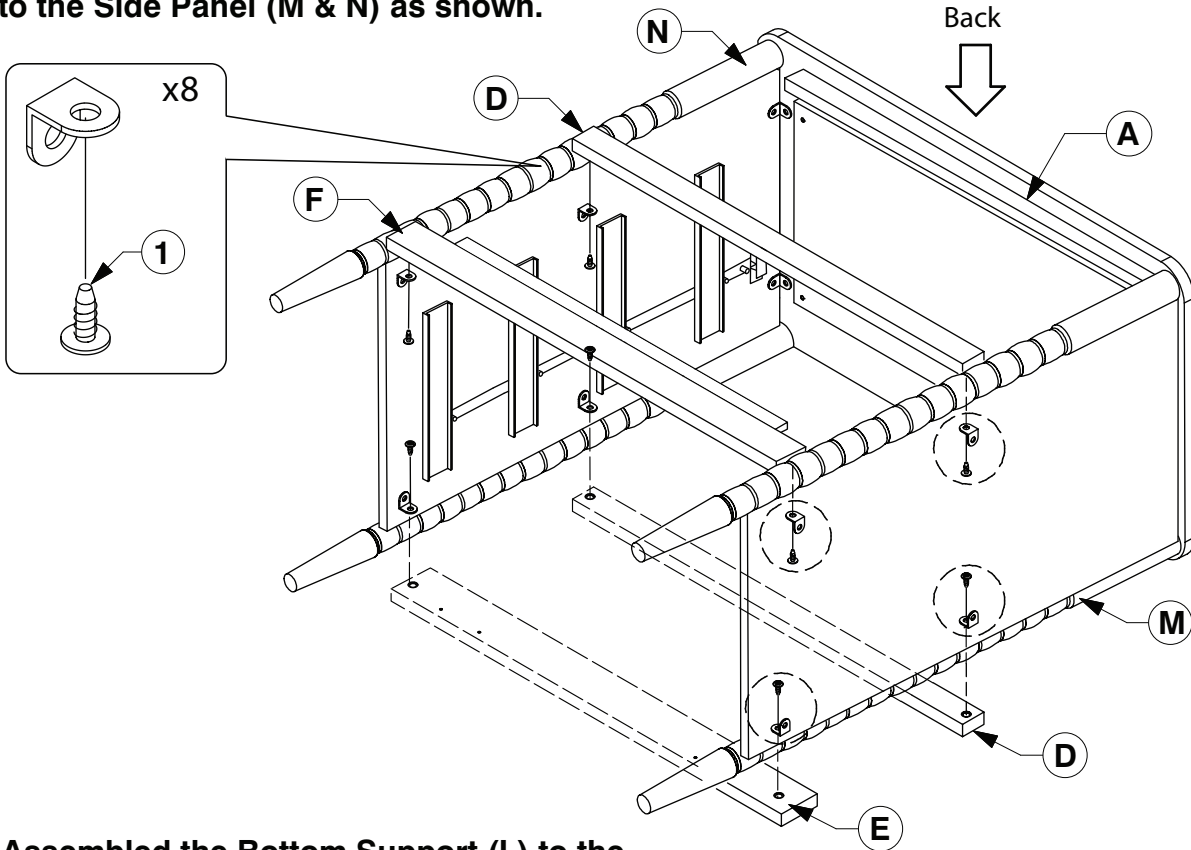


# 9011 4 Drawer Chest

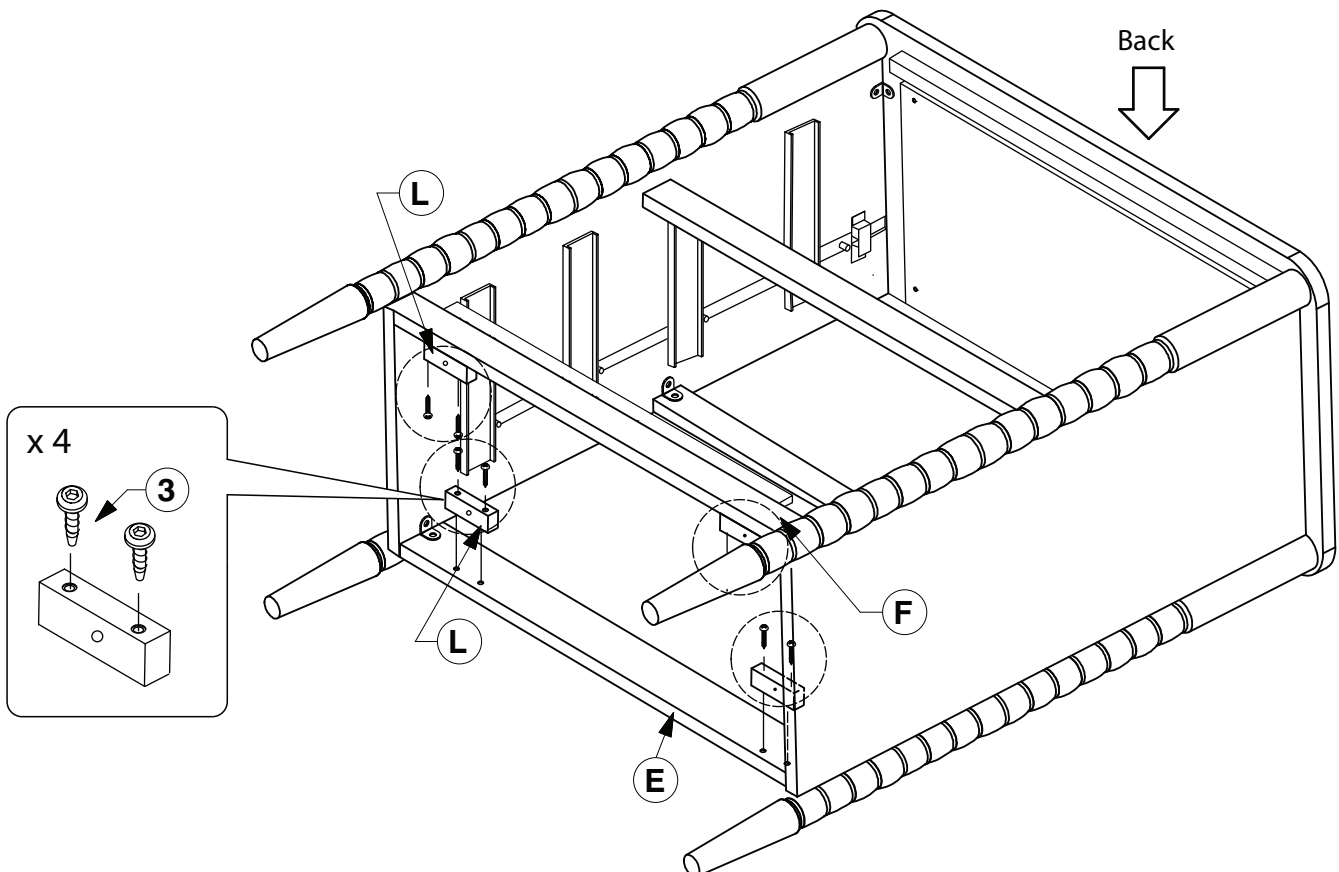
## Assembly Instructions

WI-0724

- 9** Fit the Support Bar Upper & Bottom (D & E & F) to the Side Panel (M & N) as shown.



- 10** Assembled the Bottom Support (L) to the Bottom Front & Rear Support Bar (E & F) as shown.

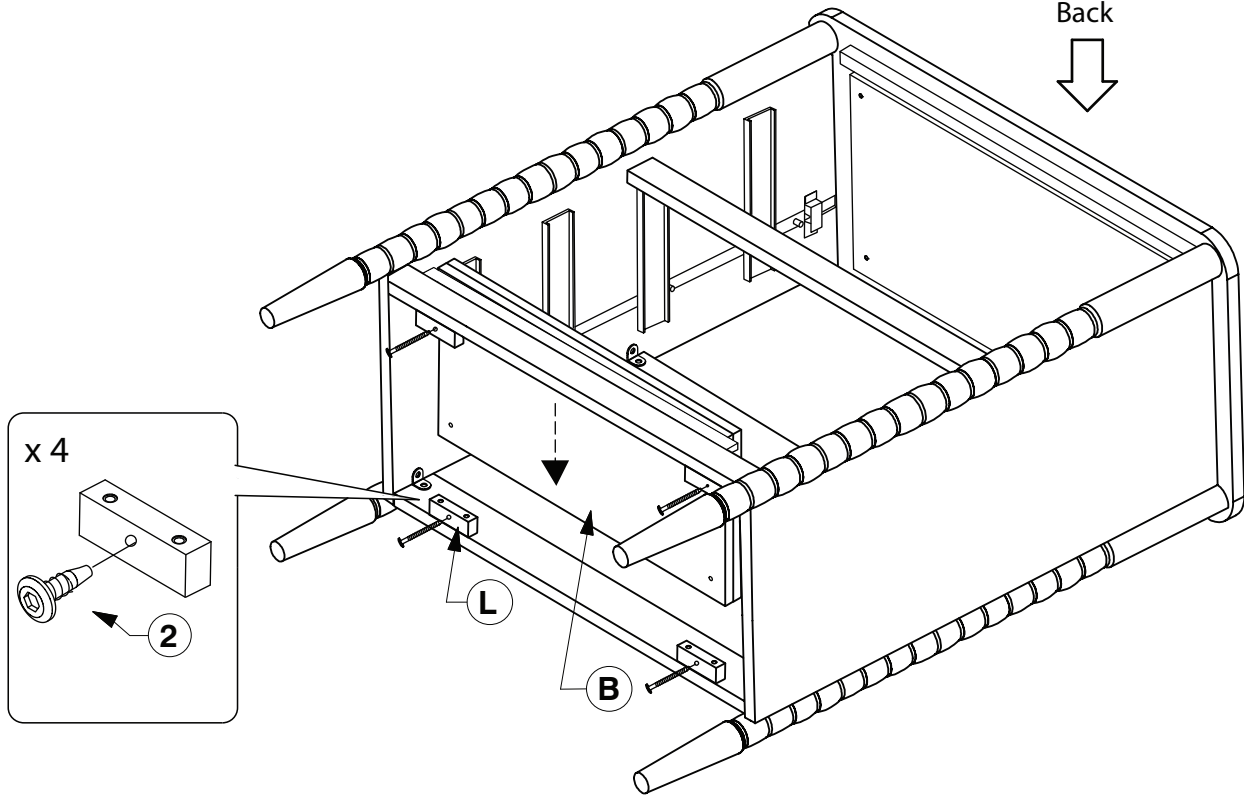


# 9011 4 Drawer Chest

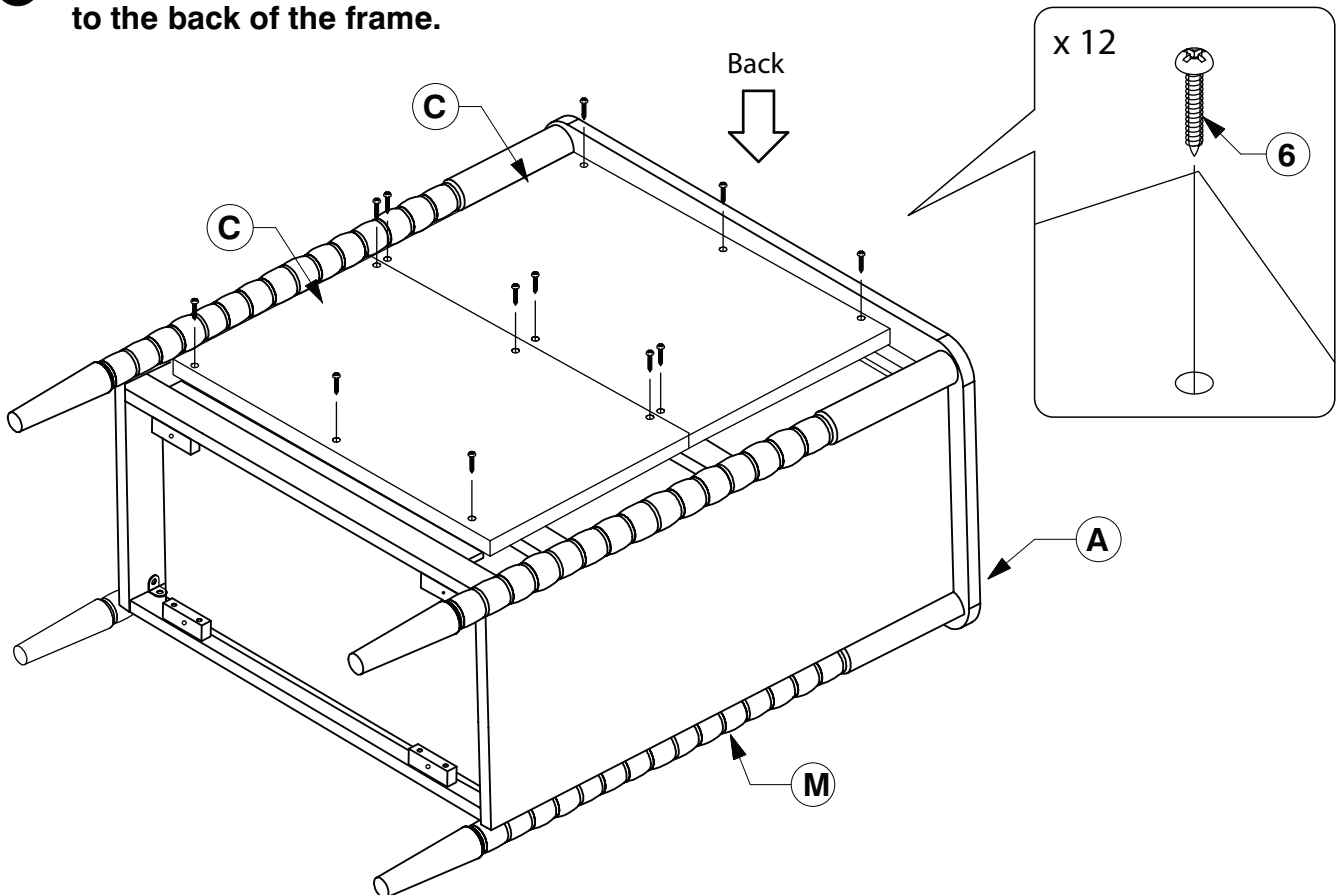
## Assembly Instructions

WI-0724

- 11** Bolt the Bottom Support (L) to the Bottom Panel (B) as shown.



- 12** Attached the Back Panel (C) to the back of the frame.



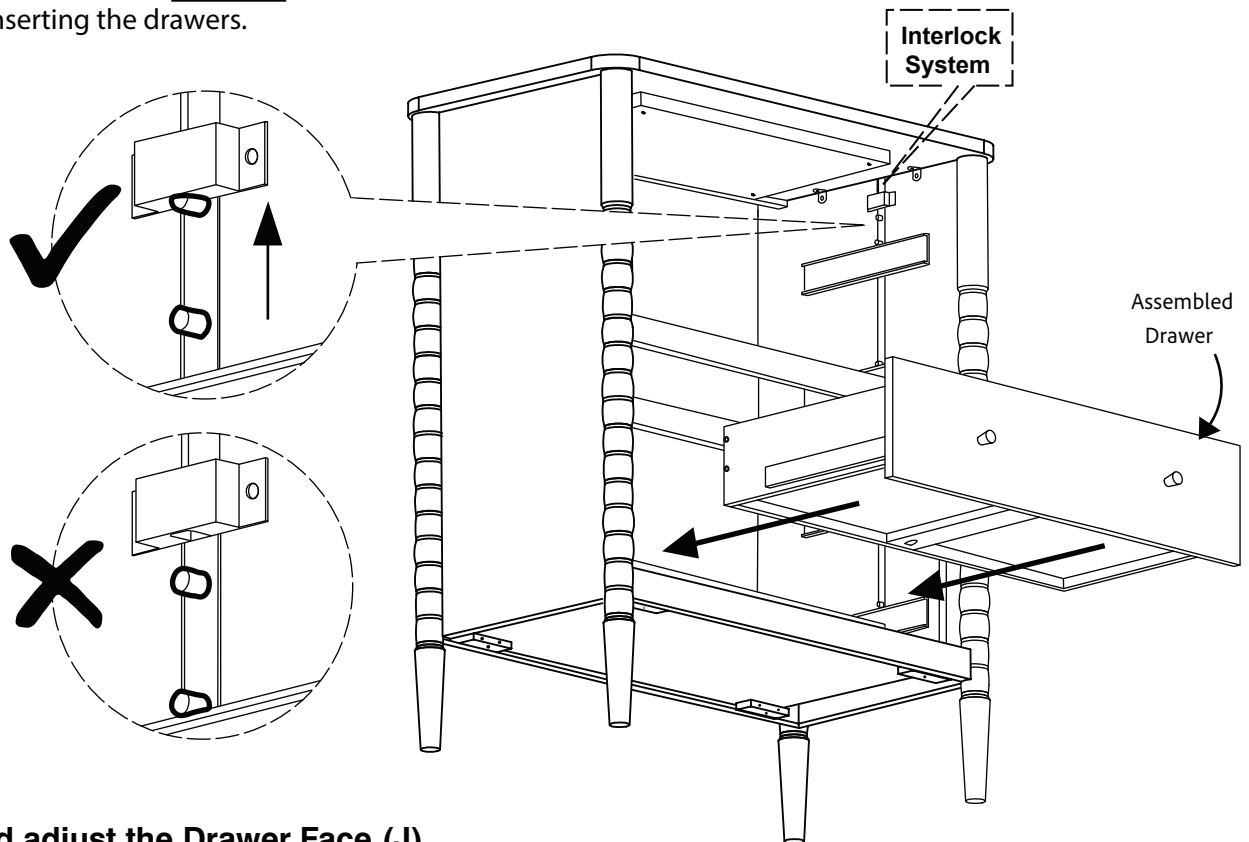
# 9011 4 Drawer Chest

## Assembly Instructions

WI-0924

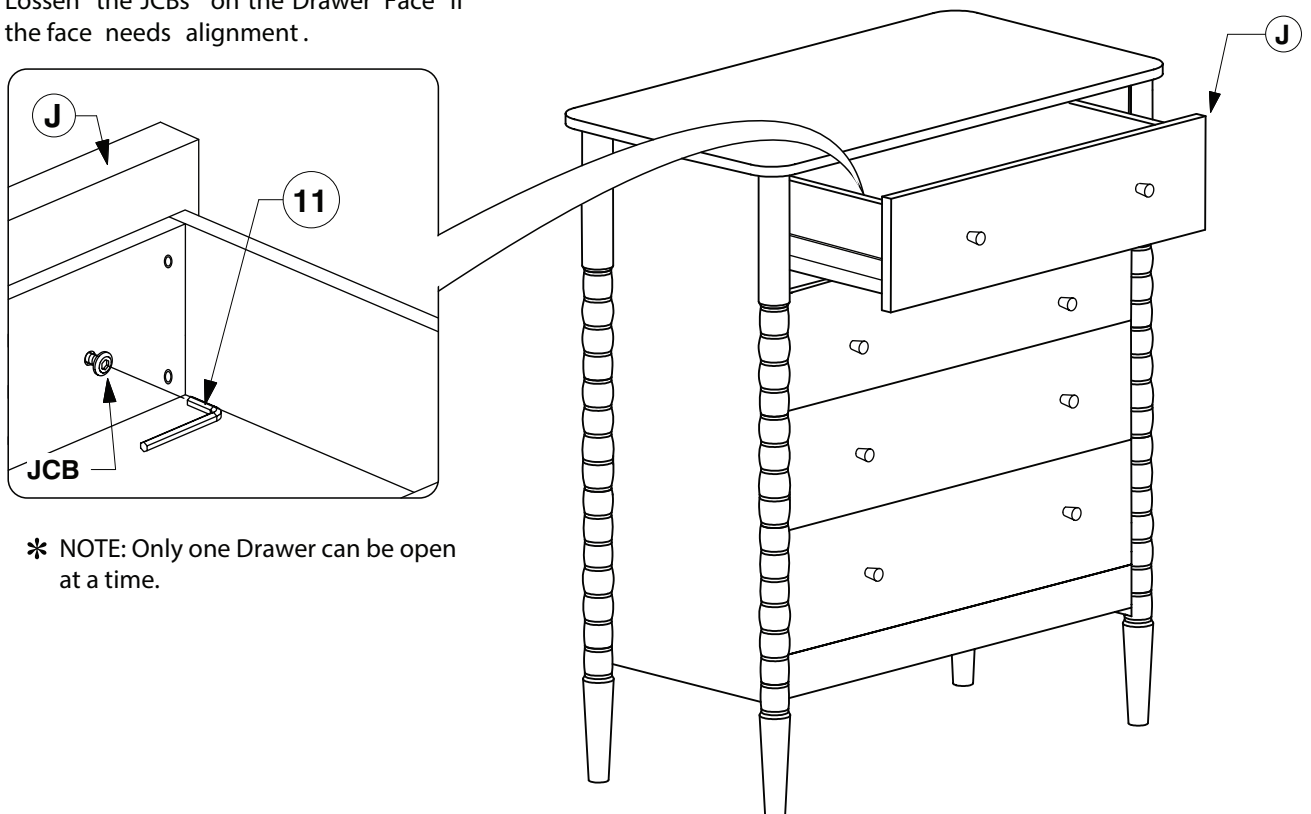
### 13 Install the Drawer.

- Push the Interlock bar **upwards** before inserting the drawers.



### 14 Fit and adjust the Drawer Face (J).

- \* NOTE: Before fitting the Wood Screws .  
Losen the JCBs on the Drawer Face if the face needs alignment.



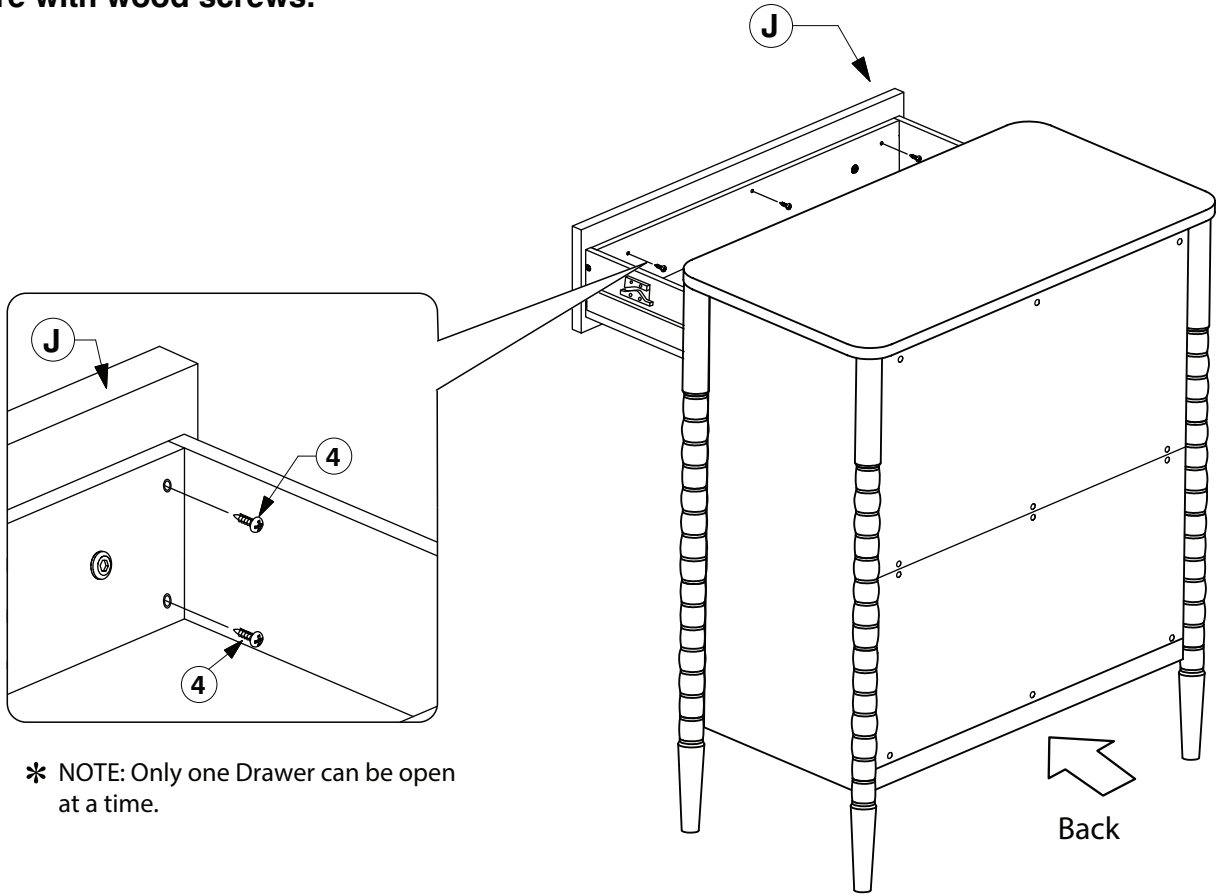
- \* NOTE: Only one Drawer can be open at a time.

# 9011 4 Drawer Chest

## Assembly Instructions

WI-0924

- 15** After the Drawer Faces (J) are aligned secure with wood screws.



\* NOTE: Only one Drawer can be open at a time.

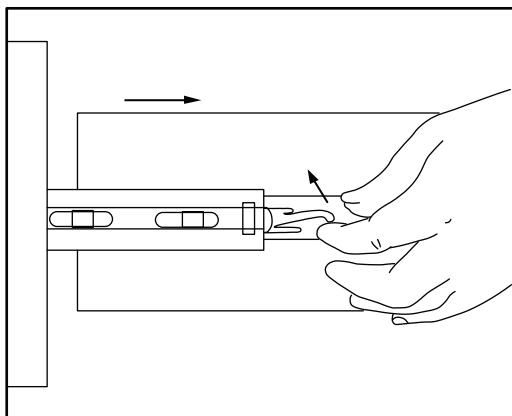
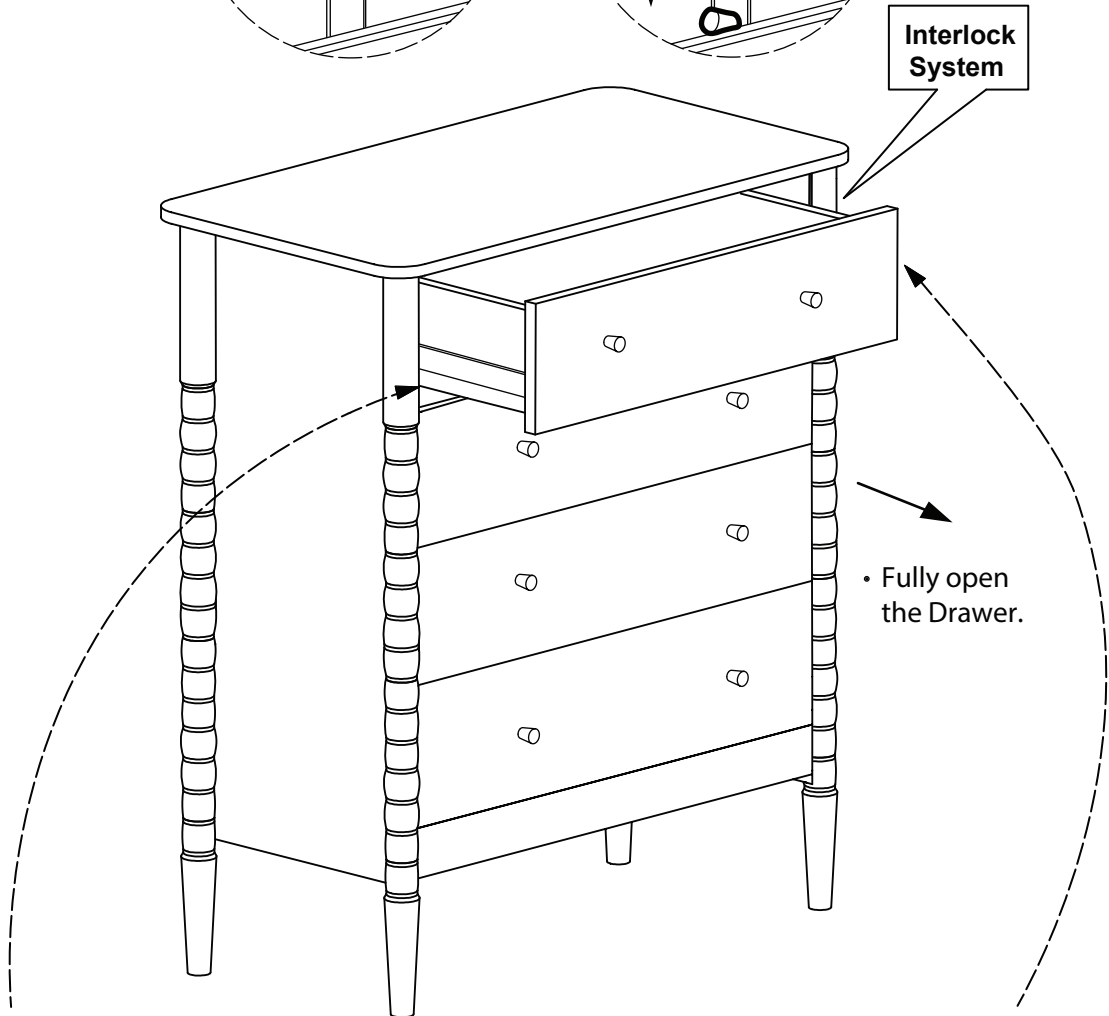
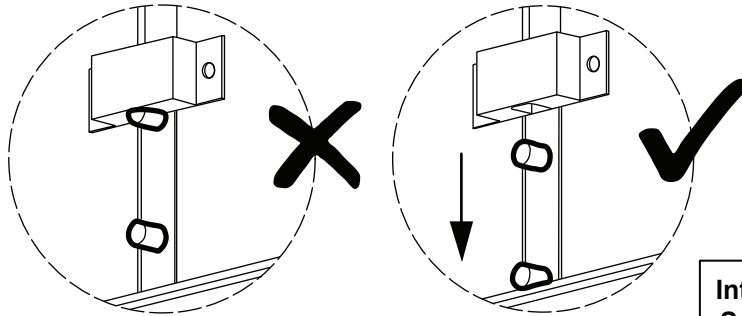
# 9011 4 Drawer Chest

## Assembly Instructions

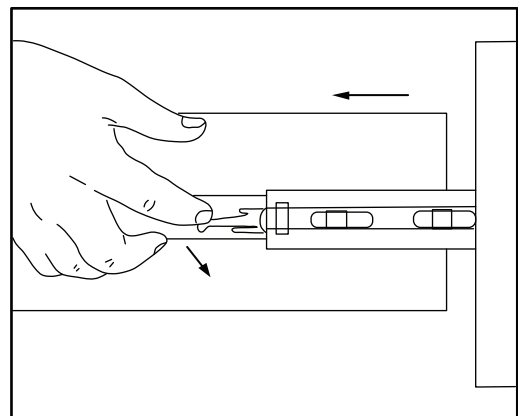
WI-0924

### 16 Remove the Drawers.

- After removing the top drawer, push the interlock bar **down**. Then remove the lower drawers.



- Lift the **LEFT** side clip **up**.



- Push the **RIGHT** side clip **down**.