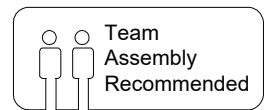
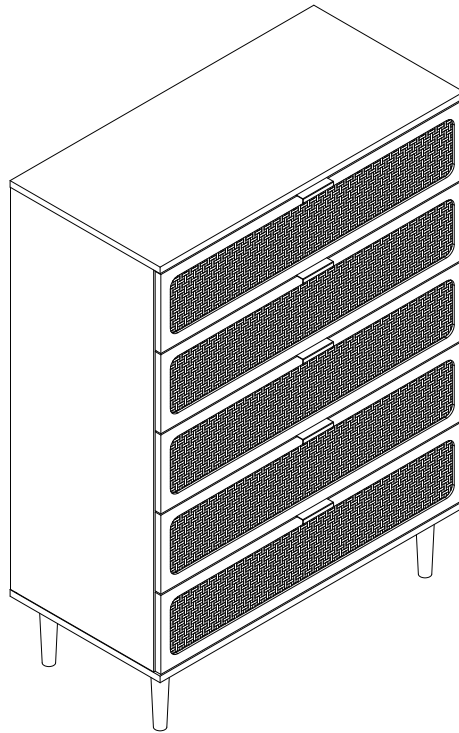


SKU: PHO-0XJYTVQV

LOT NO.: RB-NO.1

Assembly Instruction



Trouble shooting:

Missing / Wrong / Broken parts and installation issues



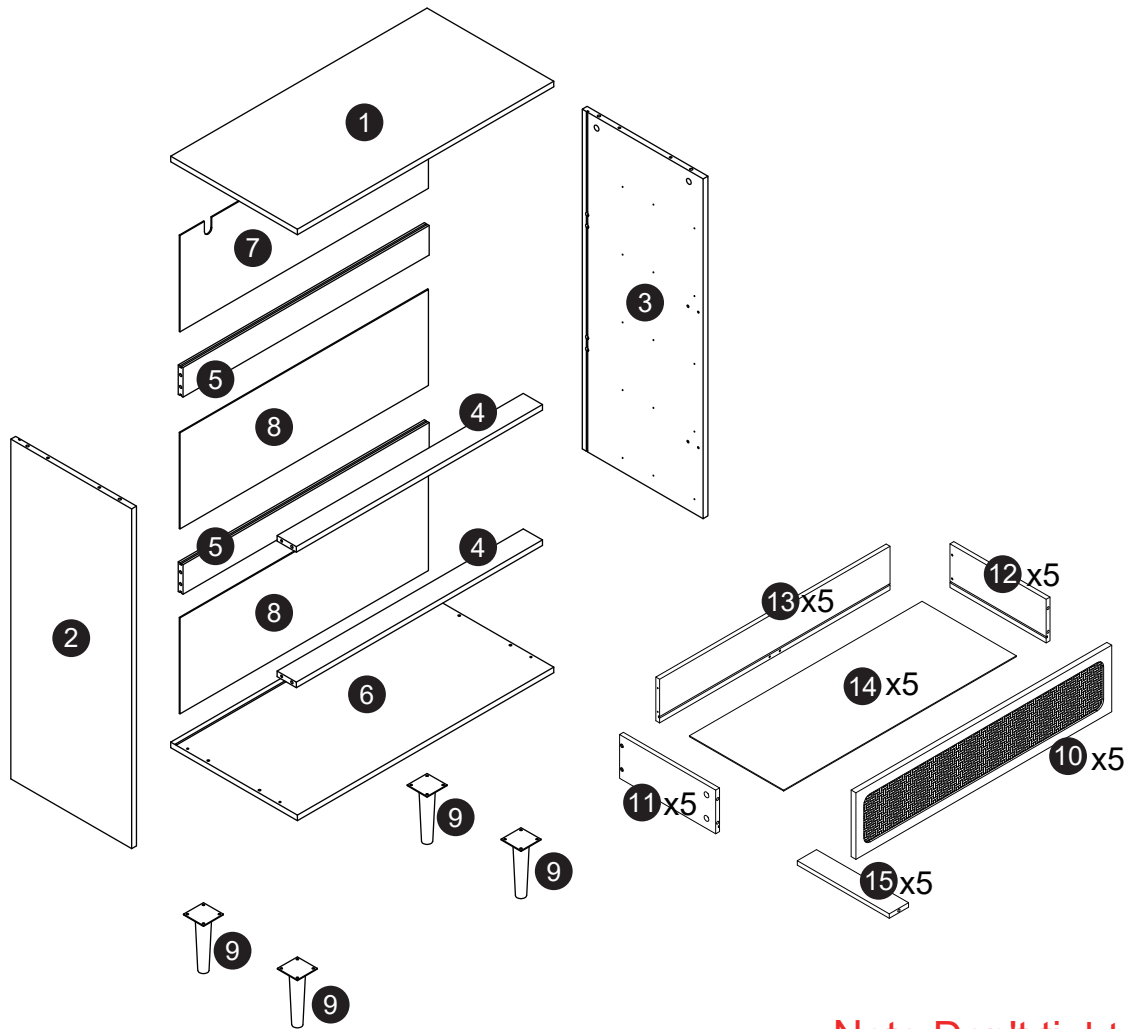
Send email with your question, pic and order NO. to
support@idealhouse.vip



Respond within 24 hours



Issue resolved



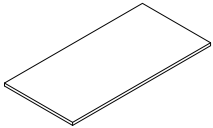
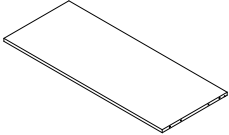
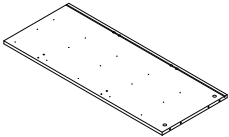
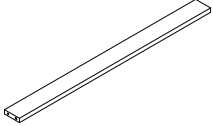
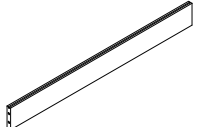
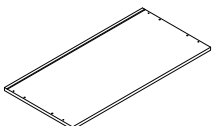
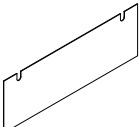
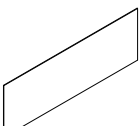
Note: Don't tighten all screws during installation.


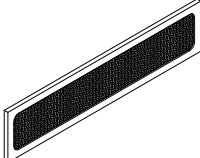
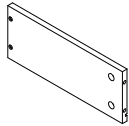
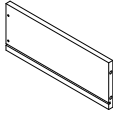
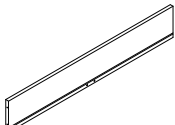
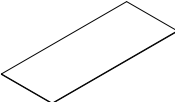

Screws & Tools

A		Ø6x35mm	x41
B		Ø15x9.5mm	x41
C		Ø6x30mm	x12
D		Ø4x35mm	x36
E		Ø3.5x14mm	x10
F			x5
G		Ø3x12mm	x60
H		Ø4x14mm	x20

I			x12
J			x2
K			x2
CL		300mm	x5
CR		300mm	x5
DL		300mm	x5
DR		300mm	x5

Componets

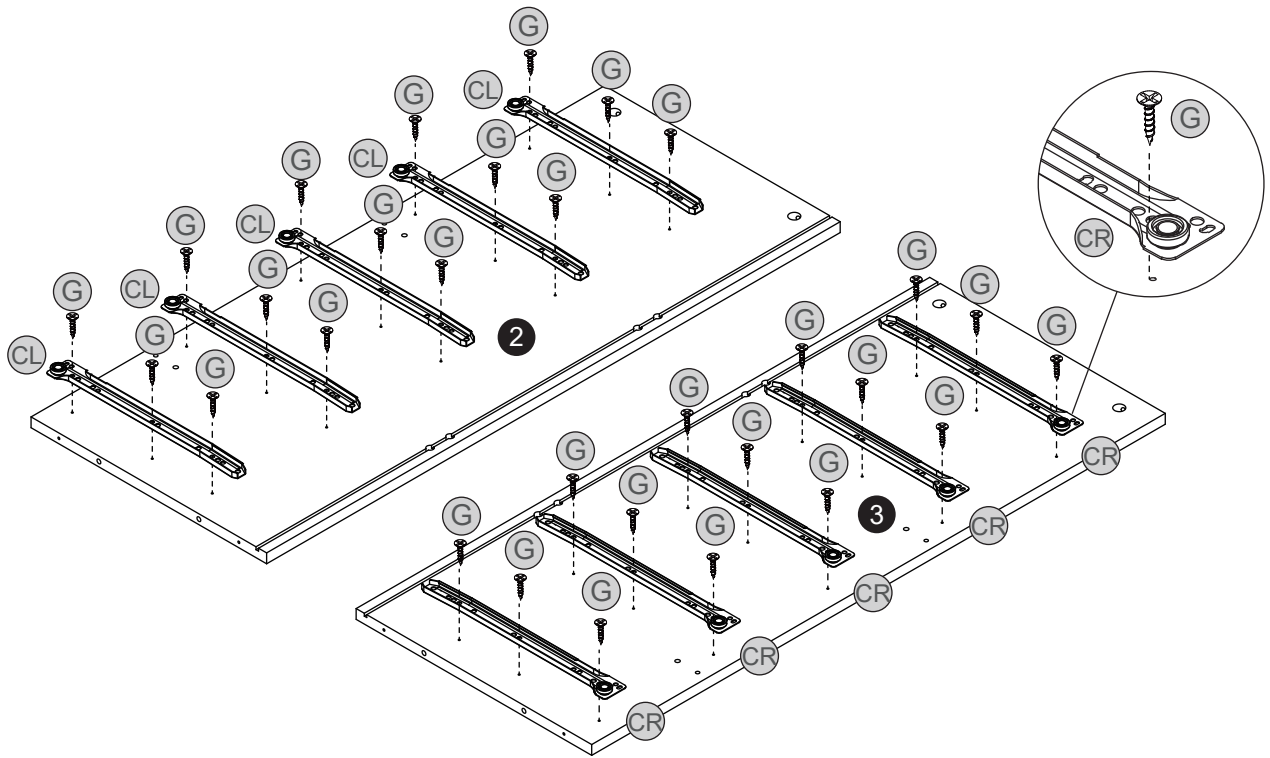
1		x1
2		x1
3		x1
4		x2
5		x2
6		x1
7		x1
8		x2

9		x4
10		x5
11		x5
12		x5
13		x5
14		x5
15		x5

Check all the components & screws before assembly.
 Do not install in case part is missing, contact us to get.
 Send email with your question to support@idealhouse.vip.
 We will resend within 24 hours.

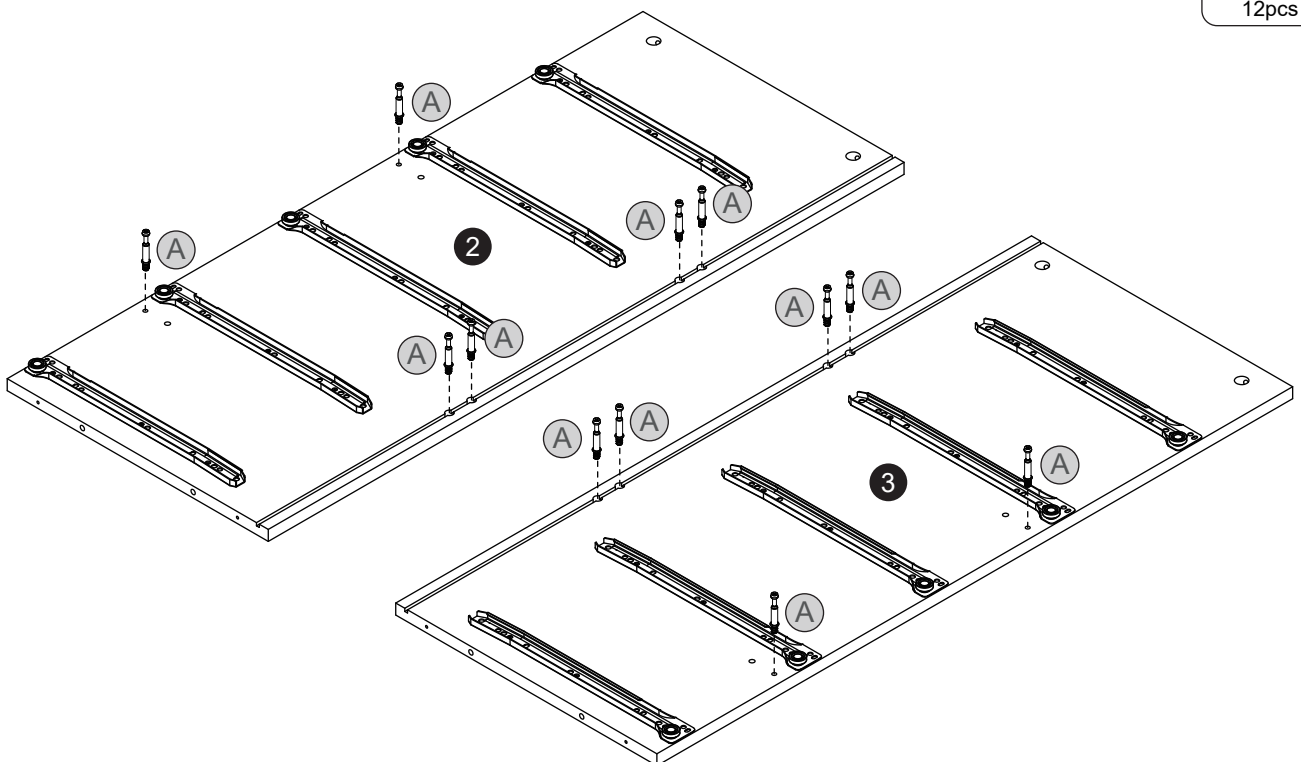
Step 1

G Ø3x12mm 30pcs	CL 300mm 5pcs	CR 300mm 5pcs
---------------------------	-------------------------	-------------------------

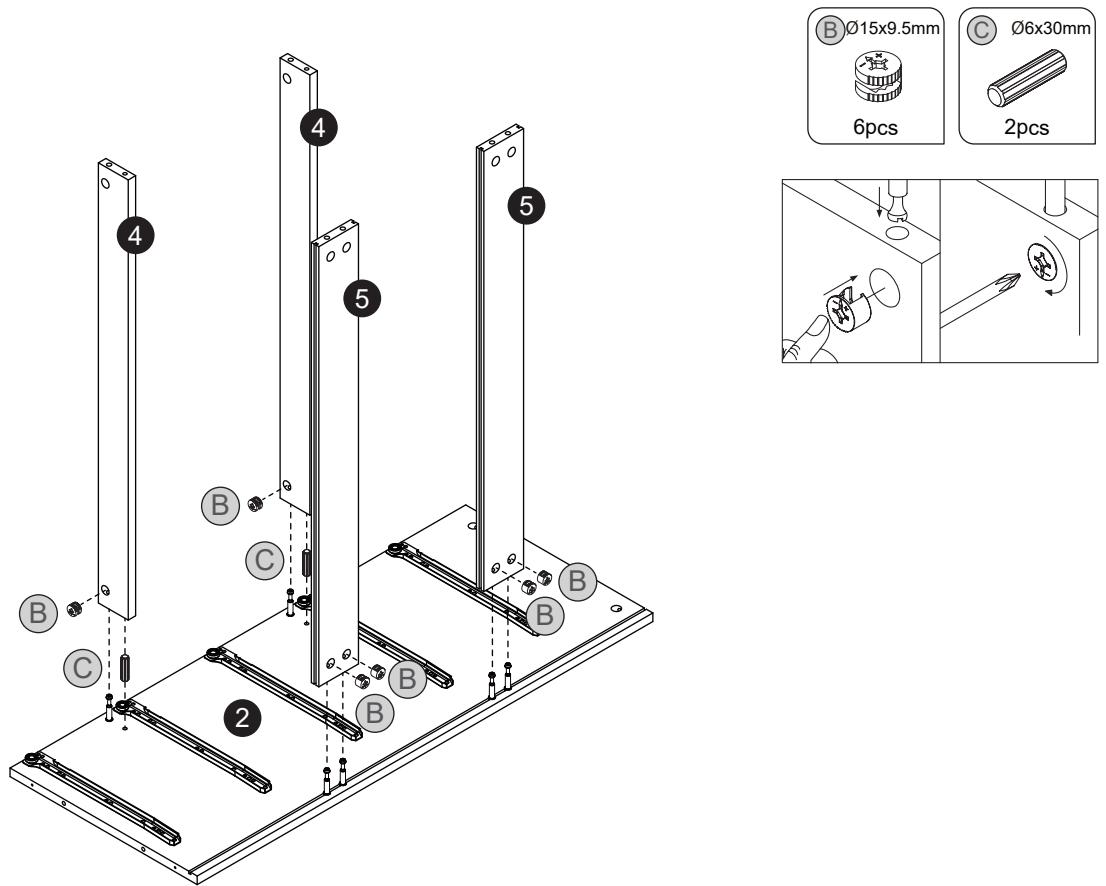


Step 2

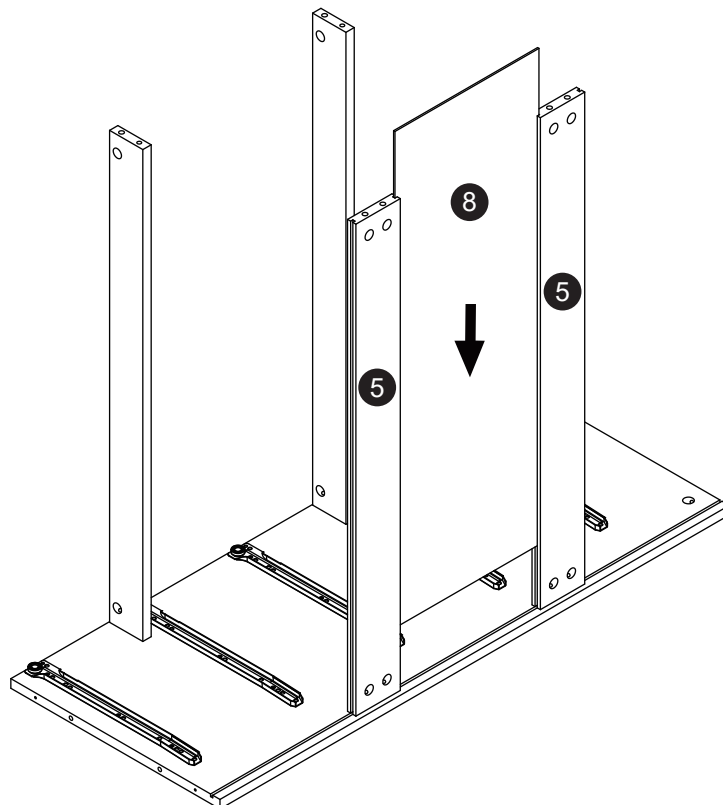
A M6x35mm 12pcs



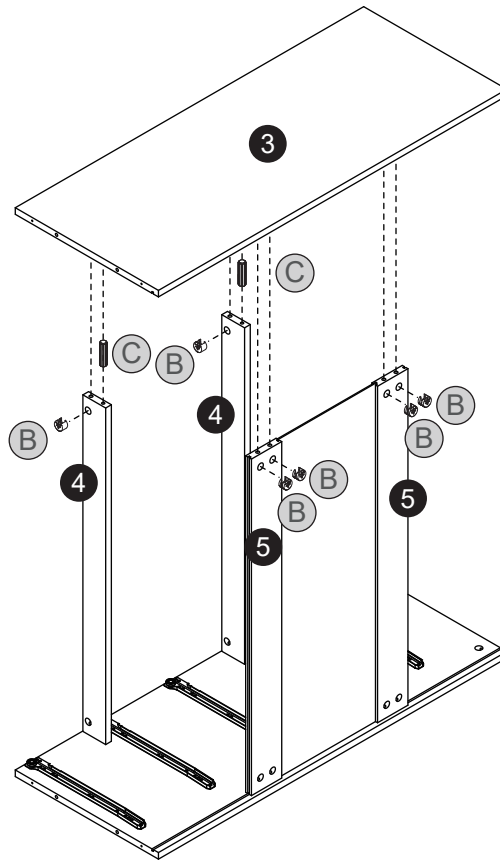
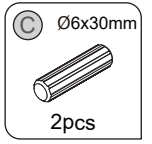
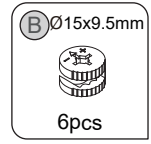
Step 3



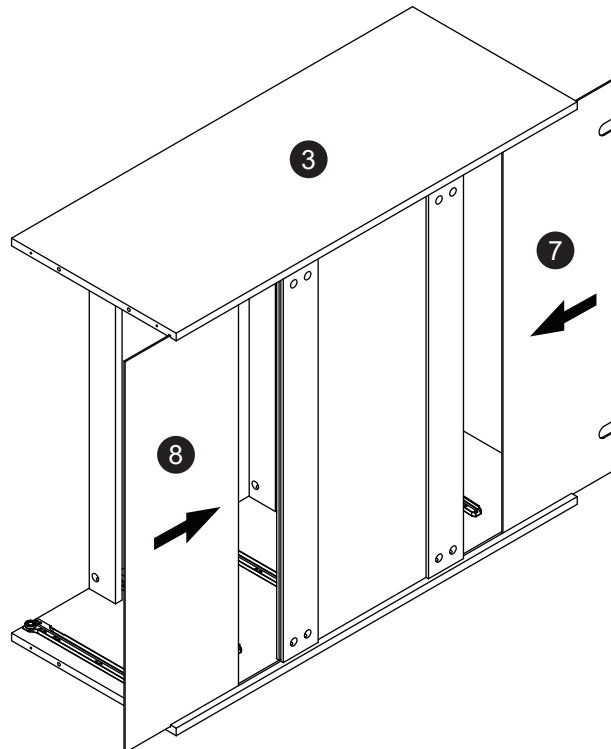
Step 4



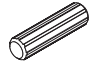

Step 5

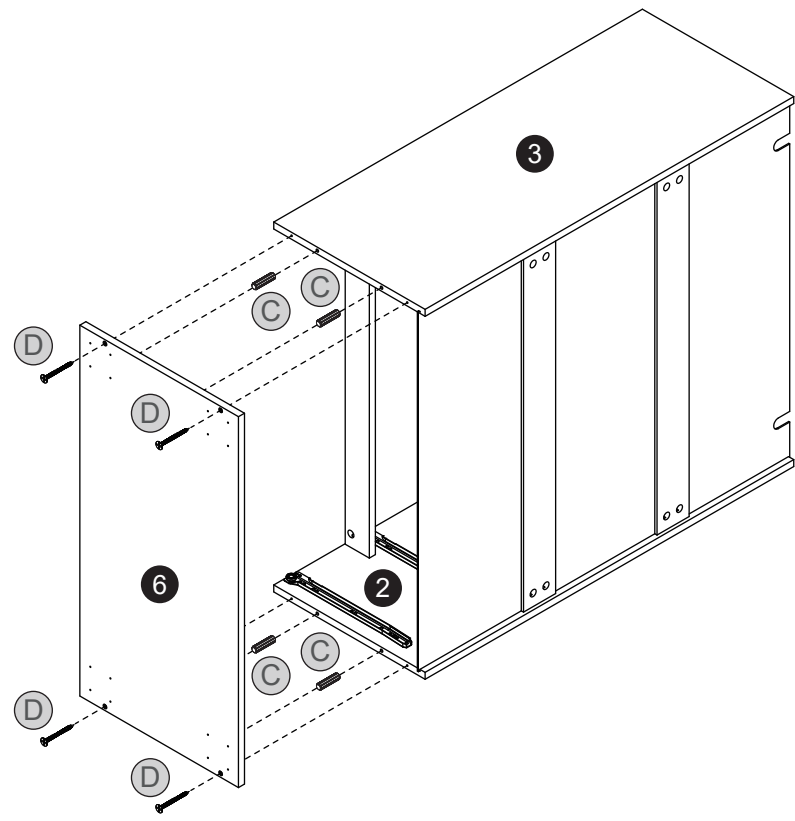


Step 6




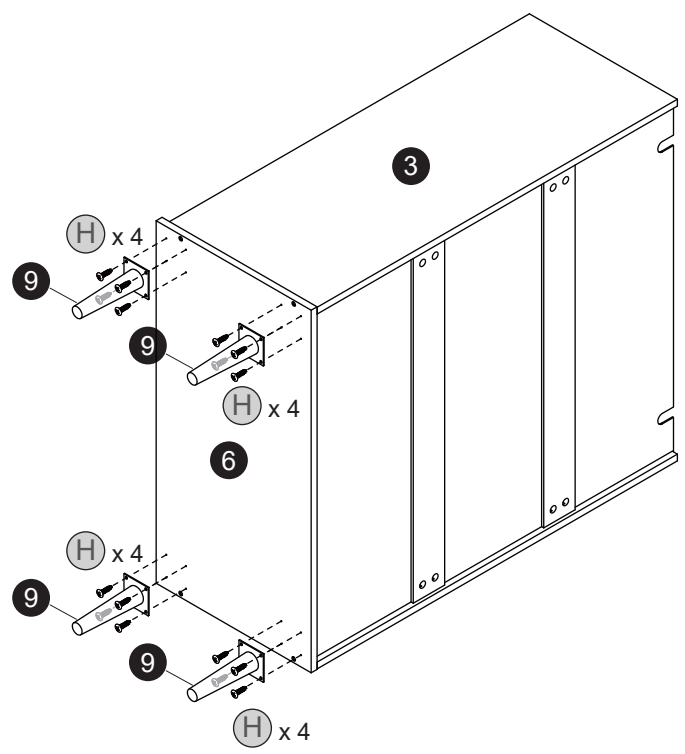
Step 7

C Ø6x30mm	D Ø4x35mm
	
4pcs	4pcs

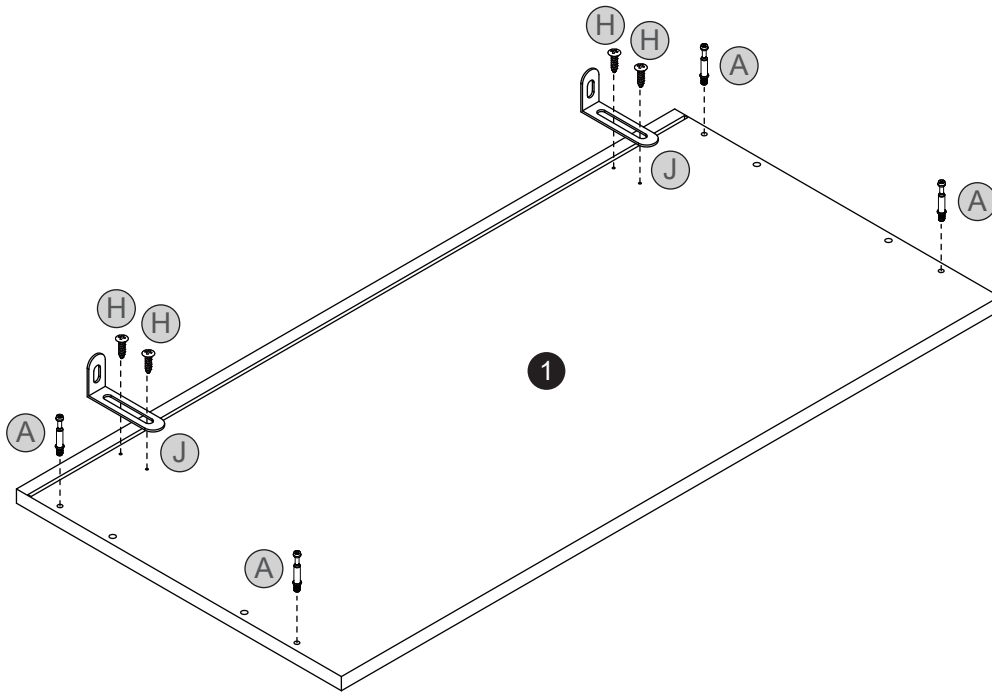
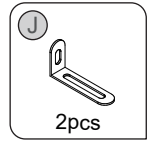
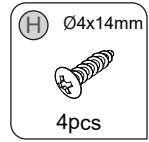
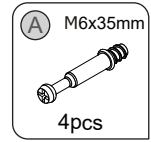


Step 8

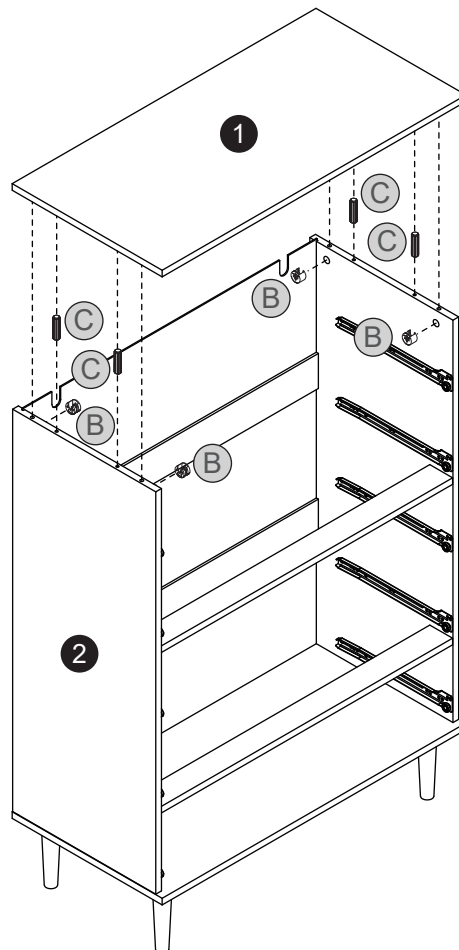
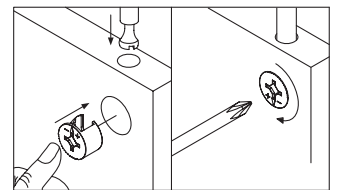
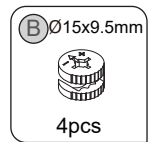
H Ø4x14mm

16pcs



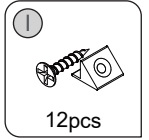
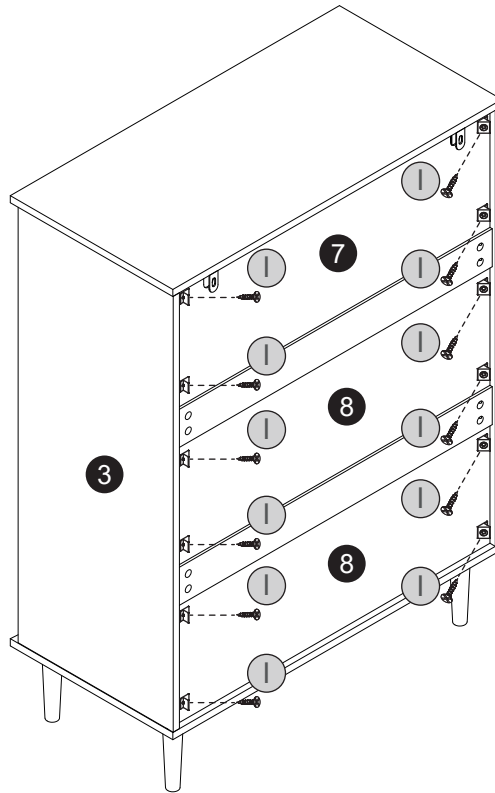
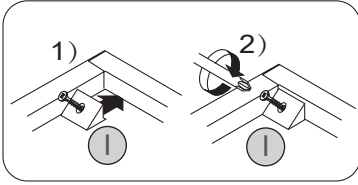
Step 9



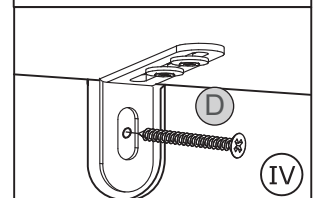
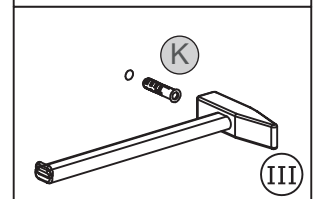
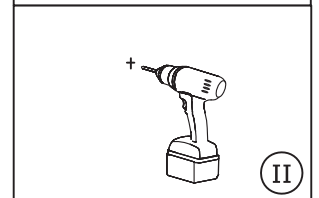
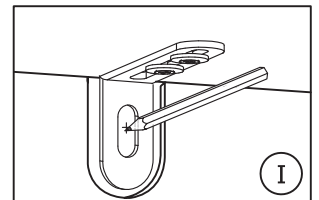
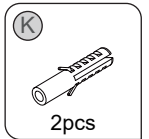
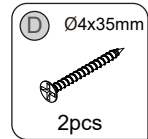
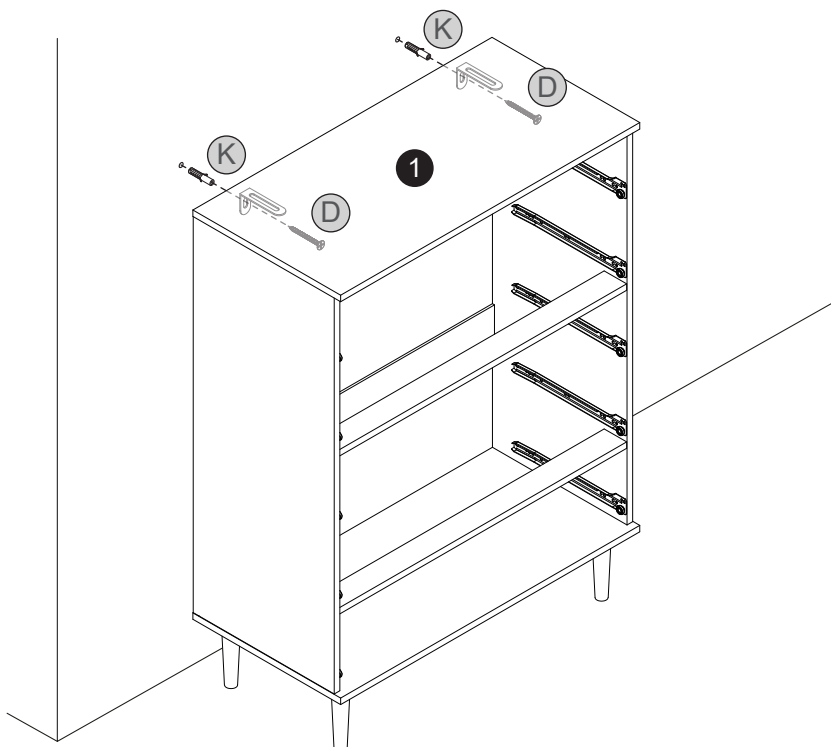
Step 10



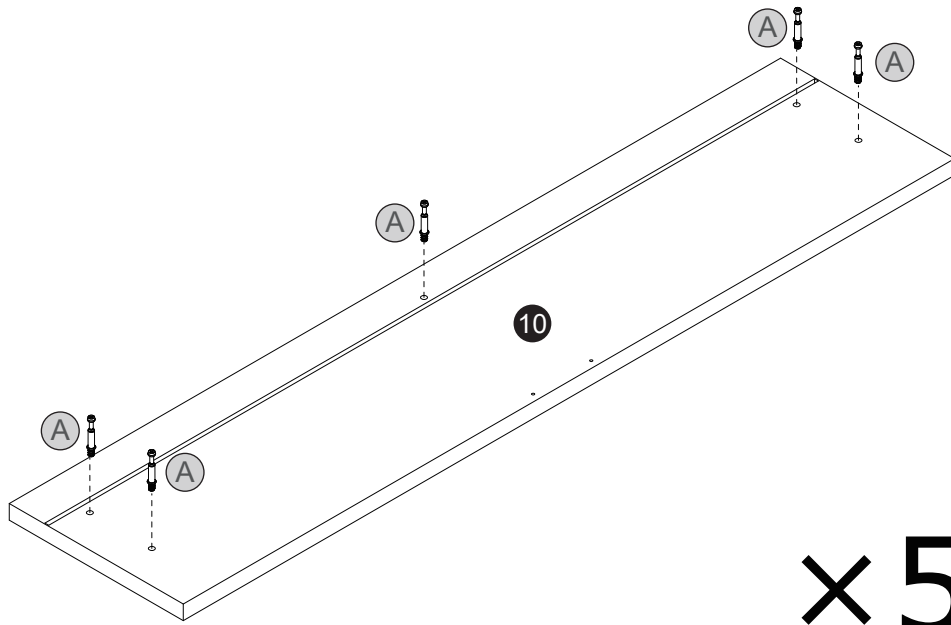
Step 11



Step 12

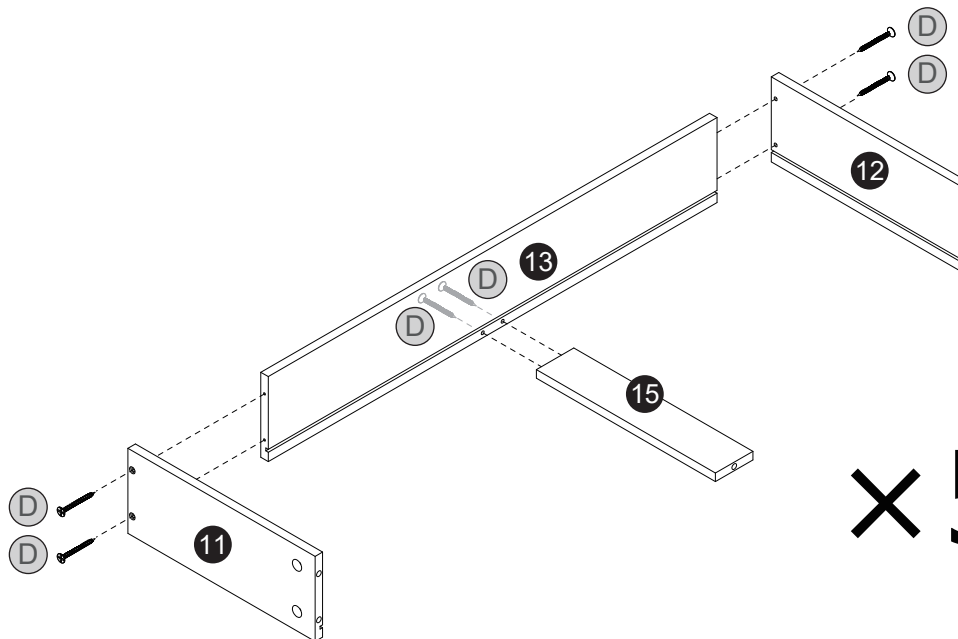


Step 13



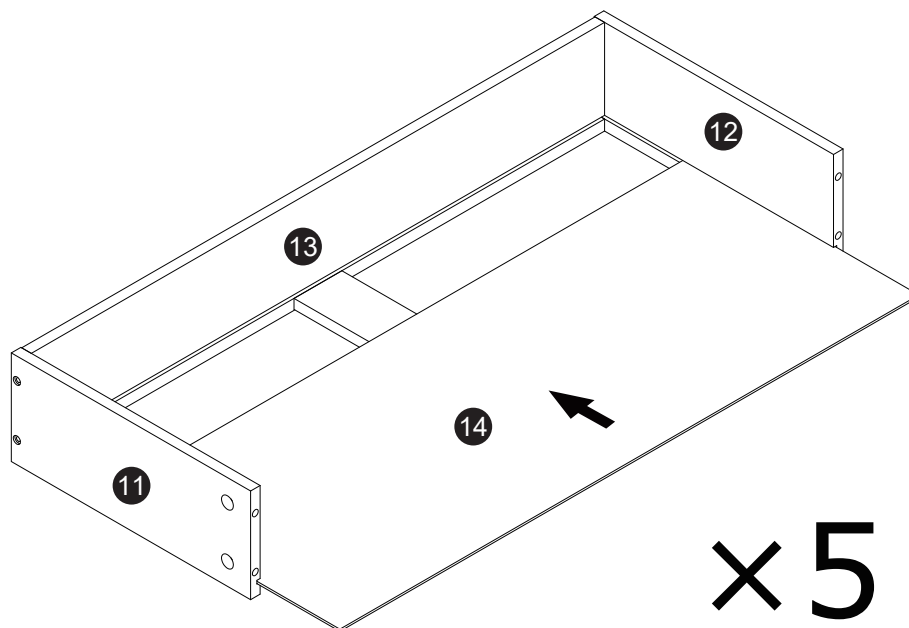
x5

Step 14

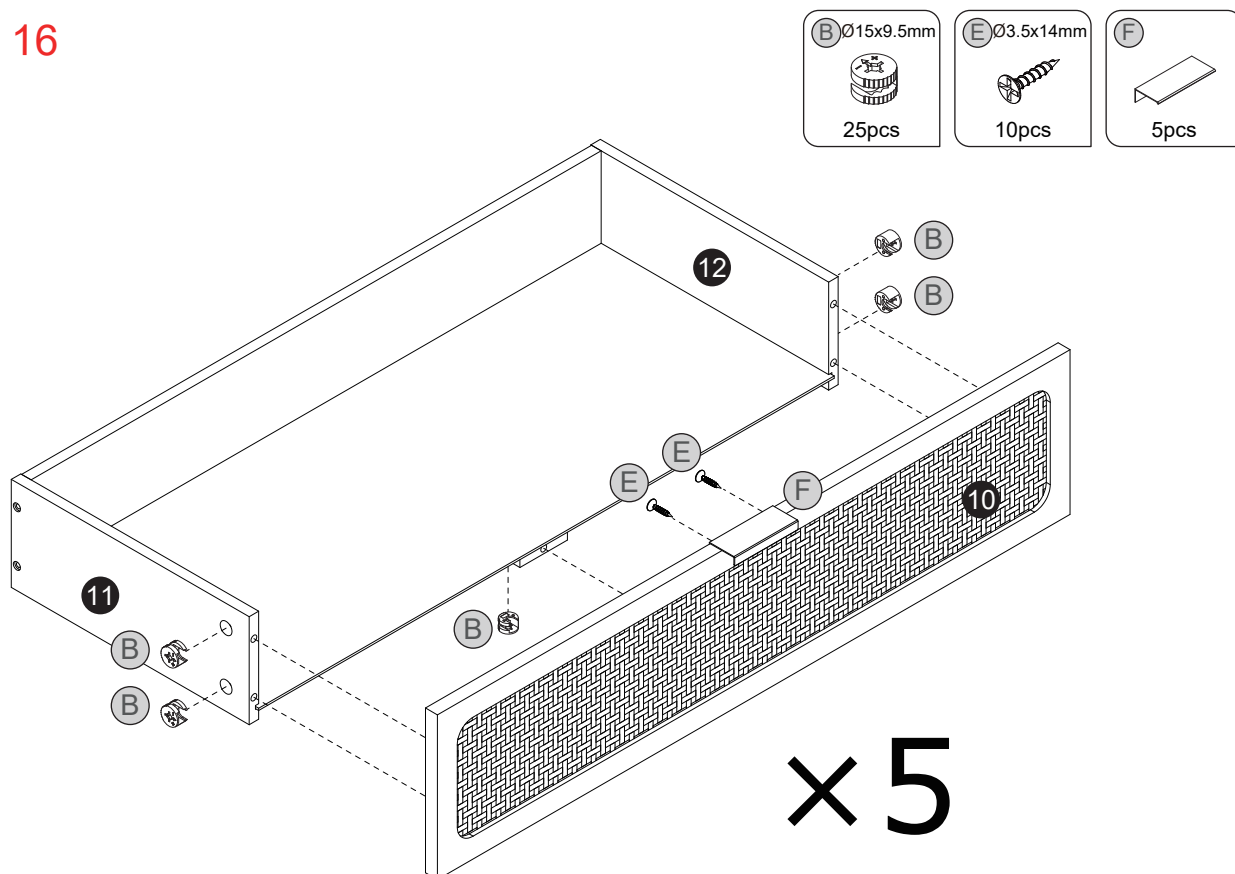


x5

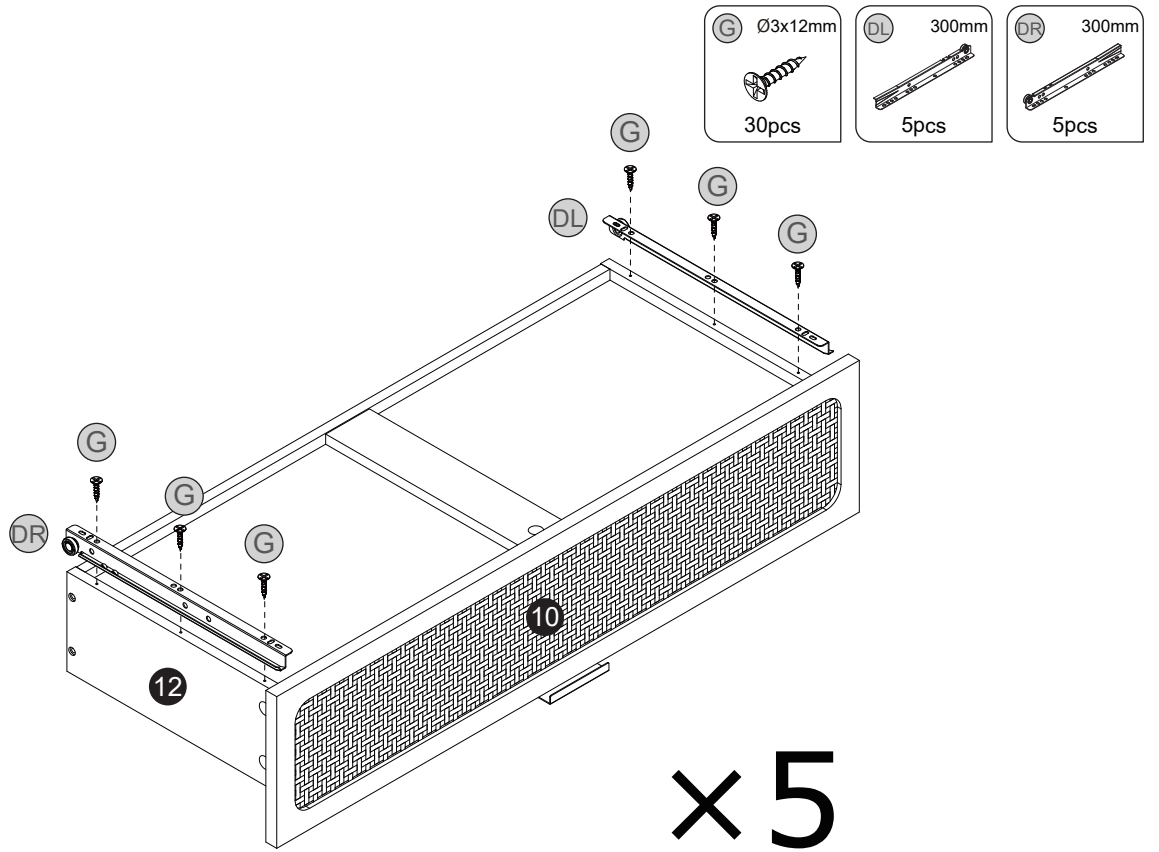
Step 15



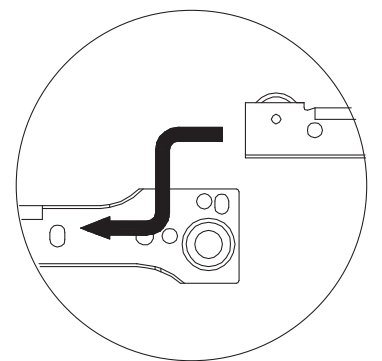
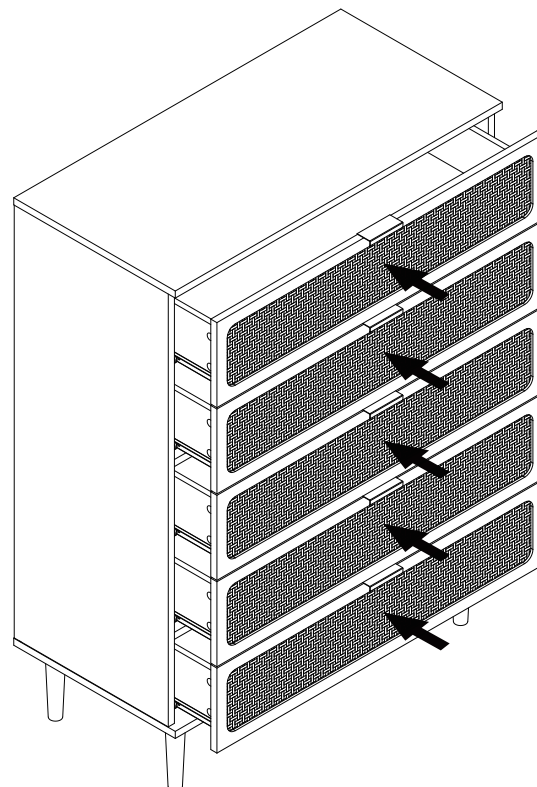
Step 16



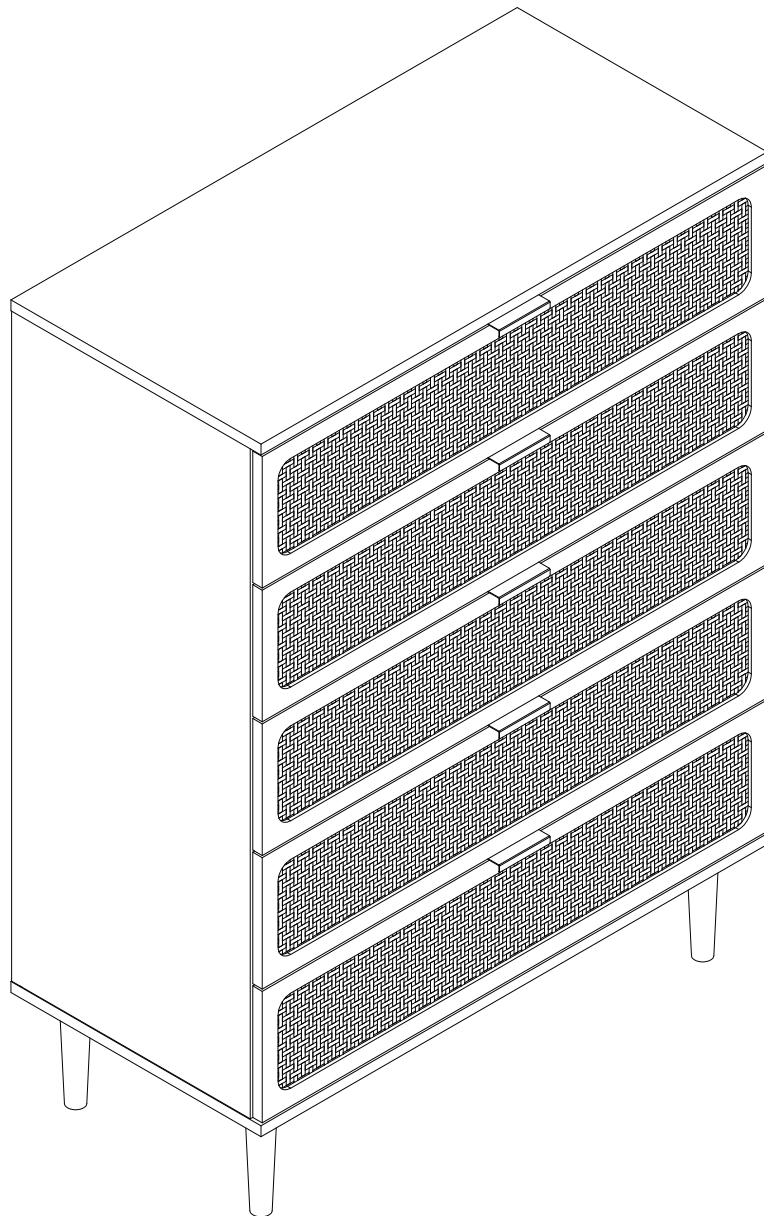
Step 17



Step 18



Step 19



Note:
Pls check and tighten all screws.

IMPORTANT SAFETY INFORMATION

Please carefully read the instructions and caution warnings below before assembling the product. Following this guide will ensure that you install, use and maintain the product properly.

- Please keep this installation and user manual/instructions for future reference in case you need to assemble the product.
- Do not assemble if you notice serious damage such as cracks or bends.
- During installation, please use work gloves for hand safety.
- Please assemble the unit on carpeted floor or the flat cardboard box to avoid scratching the surface or your floor while assembling on the floor.
- To assemble, please use the complimentary installation tools (Allen Wrench). Pay more attention to the direction of components at each steps.
- It is recommended that two people work together to assemble the product.
- Please do not tighten the screws up too much, just to 80% before you finish to make the installation go on successfully.

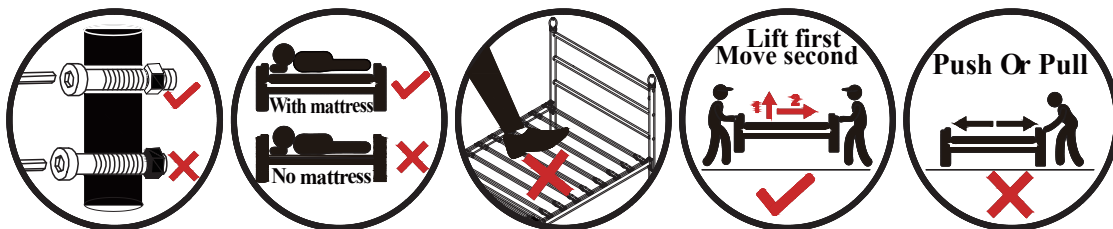
RETURN POLICY

We believe you will absolutely love your new product. But for some reason you want to return your item, please contact us within 30 days after receiving and ensure that the product which you want to return is in a good condition in the original box with all original certificates of purchase, manuals and accessories attached.

HOW TO MAINTAIN YOUR PRODUCT:

- Check the screws of the product are not loose from regular use.
- Do not use sharp instruments, rubbing alcohol, corrosive chemicals, or abrasive cleaners to clean the product.
- Do not keep the product in a damp environment for a long period of time. The damp environment may cause the iron components to rust and the plates to bulge and crack.

CAUTIONS!



How to find us?

Customer Service

Email: support@idealhouse.vip