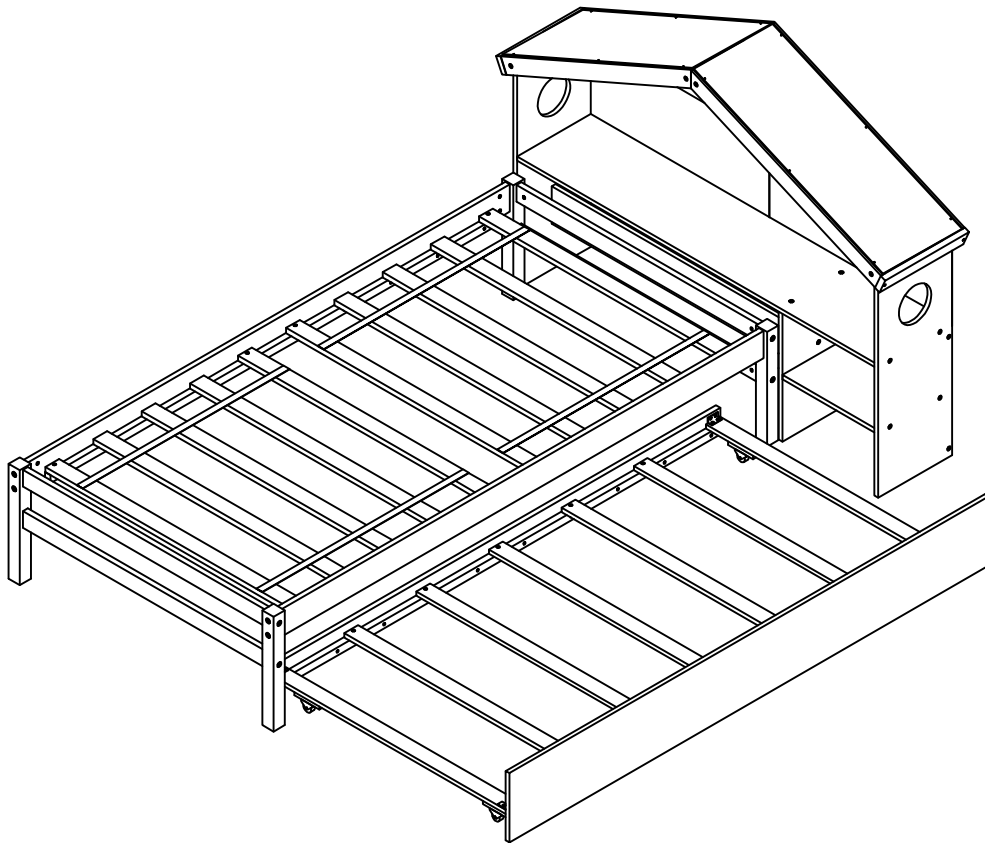


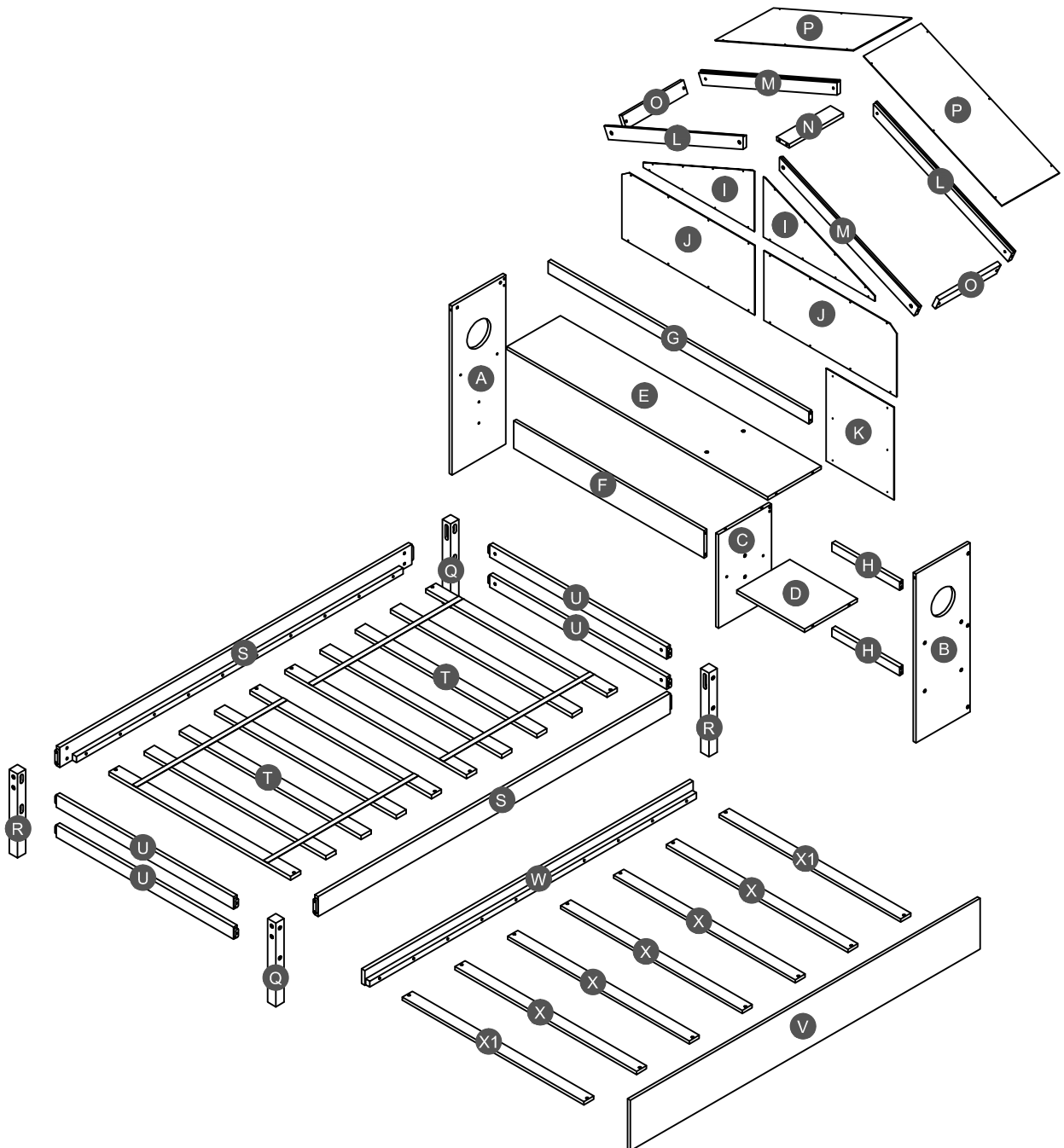
ASSEMBLY INSTRUCTIONS

BED WITH BOOCASE, TRUNDLE






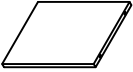

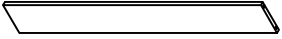

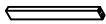
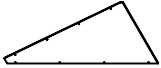
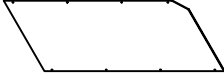
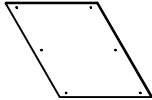
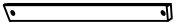

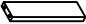

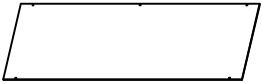
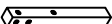


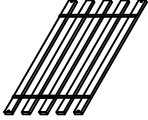
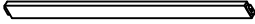

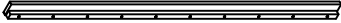
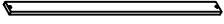

DN33740

Detail View

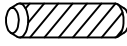
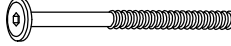
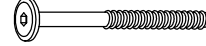
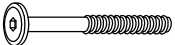



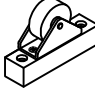
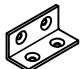

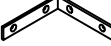

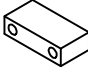


Part List

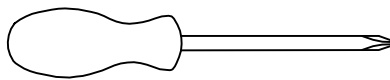
DN33740

<p>A</p>  <p>Side panel (left) - 1pc</p>	<p>B</p>  <p>Side panel (right) - 1pc</p>	<p>C</p>  <p>Middle panel - 1pc</p>
<p>D</p>  <p>Shelf panel (right) - 1pc</p>	<p>E</p>  <p>Shelf panel (left) - 1pc</p>	<p>F</p>  <p>Support panel - 1pc</p>
<p>G</p>  <p>Horizontal bar (back) - 1pc</p>	<p>H</p>  <p>Horizontal bar (back) - 2pcs</p>	<p>I</p>  <p>Back panel - 2pcs</p>
<p>J</p>  <p>Back panel - 2pcs</p>	<p>K</p>  <p>Back panel - 1pc</p>	<p>L</p>  <p>Upper (left front/right back) - 2pcs</p>
<p>M</p>  <p>Upper (left back/right front) - 2pcs</p>	<p>N</p>  <p>Upper horizontal bar - 1pc</p>	<p>O</p>  <p>Upper horizontal bar - 2pcs</p>
<p>P</p>  <p>Top panel - 2pcs</p>	<p>Q</p>  <p>Leg (left front/right back) - 2pcs</p>	<p>R</p>  <p>Leg (left back/right front) - 2pcs</p>
<p>S</p>  <p>Side rail - 2pcs</p>	<p>T</p>  <p>Slat (2Sets = 5pcs/set)</p>	<p>U</p>  <p>Horizontal bar HB & FB - 4pcs</p>
<p>V</p>  <p>Front panel of Trundle - 1pc</p>	<p>W</p>  <p>Back panel side rail of Trundle - 1pc</p>	<p>X</p>  <p>Slats - 5pcs</p>
<p>X1</p>  <p>Slats - 2pcs</p>		

Hardware List

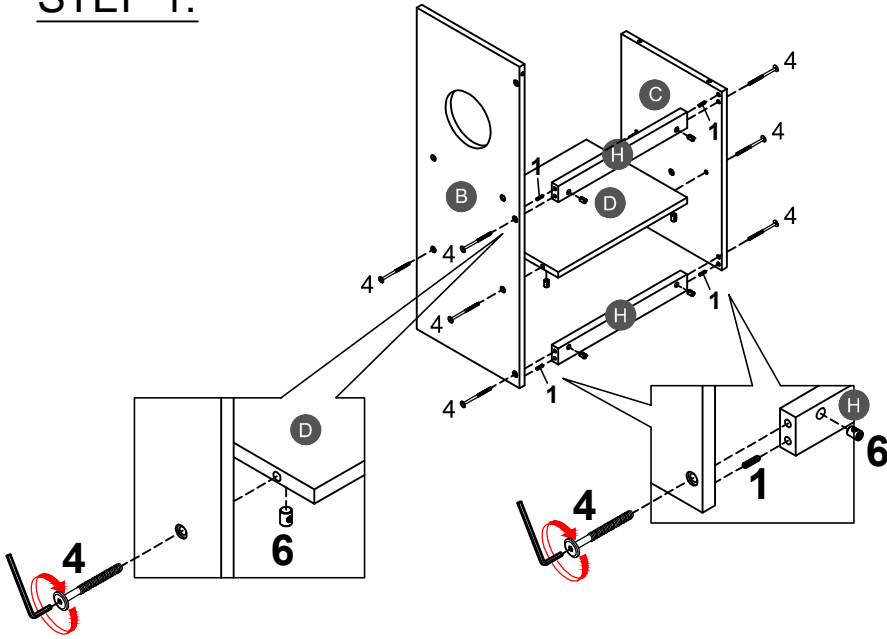
<p>1</p>  <p>Ø8*30mm Wood dowel (6pcs)</p>	<p>2</p>  <p>(Ø15)1/4"*100mm Hex-Head bolts (8pcs)</p>	<p>3</p>  <p>(Ø15)1/4"*80mm Hex-Head bolts (8pcs)</p>
<p>4</p>  <p>(Ø12)1/4"*60mm Hex-Head bolts (28pcs)</p>	<p>5</p>  <p>(Ø12)1/4"*40mm Hex-Head bolts (4pcs)</p>	<p>6</p>  <p>1/4"*15 (9.5mm) Horizontal-Hole bolts(44pcs)</p>
<p>7</p>  <p>(1/4")4.5*58mm Allen key (1pc)</p>	<p>8</p>  <p>100*63*20mm Wheels (4pcs)</p>	<p>9</p>  <p>40*18*18*2mm Metal bracket (4pcs)</p>
<p>10</p>  <p>Ø3.5*15mm Wood screws (74pcs)</p>	<p>11</p>  <p>95*95*18*3mm Metal bracket (2pcs)</p>	<p>12</p>  <p>Ø4*30mm Wood screws (34pcs)</p>
<p>13</p>  <p>70*35*19 mm Drawer stopper (2pcs)</p>		

ASSEMBLY TOOLS REQUIRED (NOT INCLUDED)



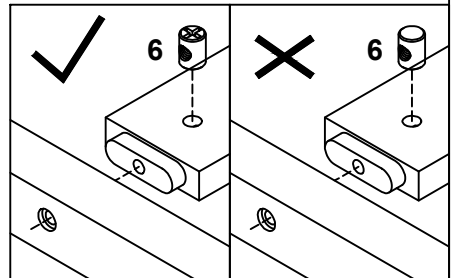
PLEASE BE CAREFUL DO NOT DAMAGE THE HOLE POSITION WHEN YOU USE POWER TOOLS !

STEP 1:

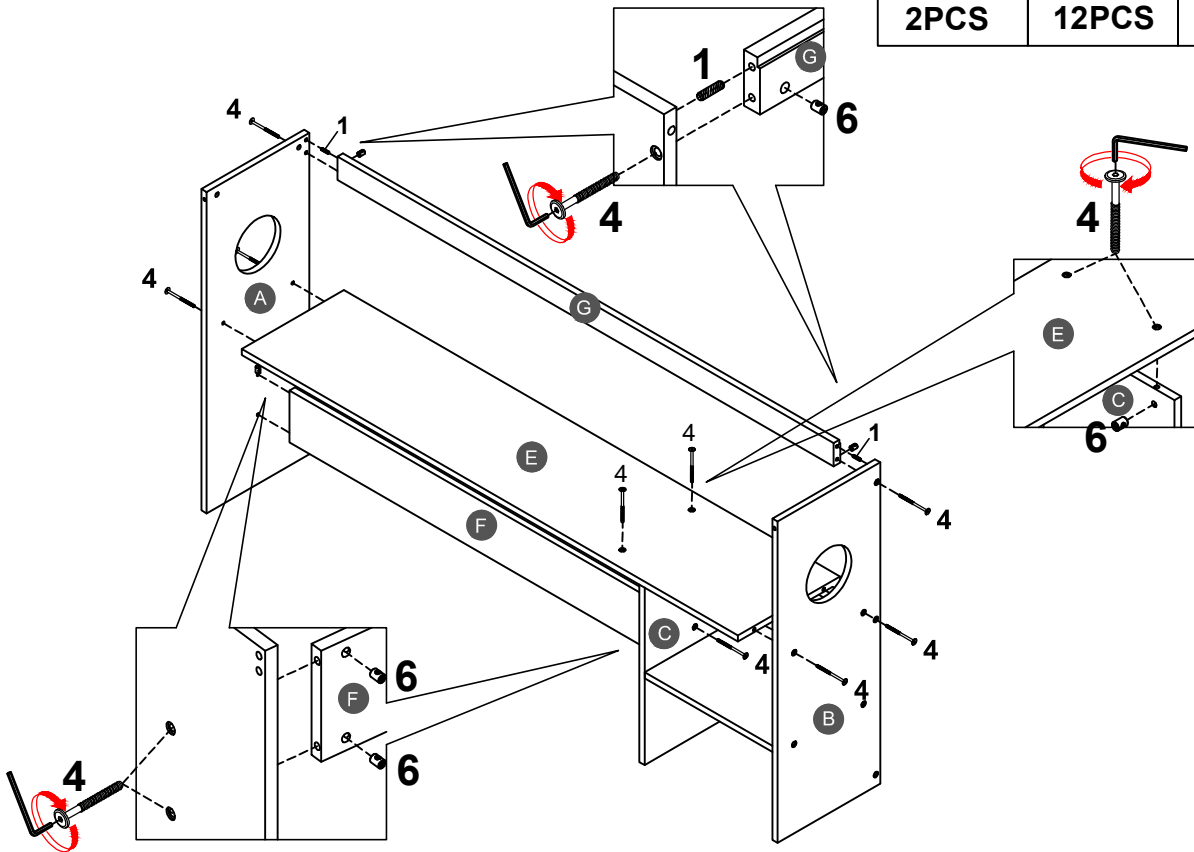


1		4		6	
4PCS		8PCS		8PCS	

Note: Part 6 will face up with the "x" mark on it, otherwise it cannot be tightened





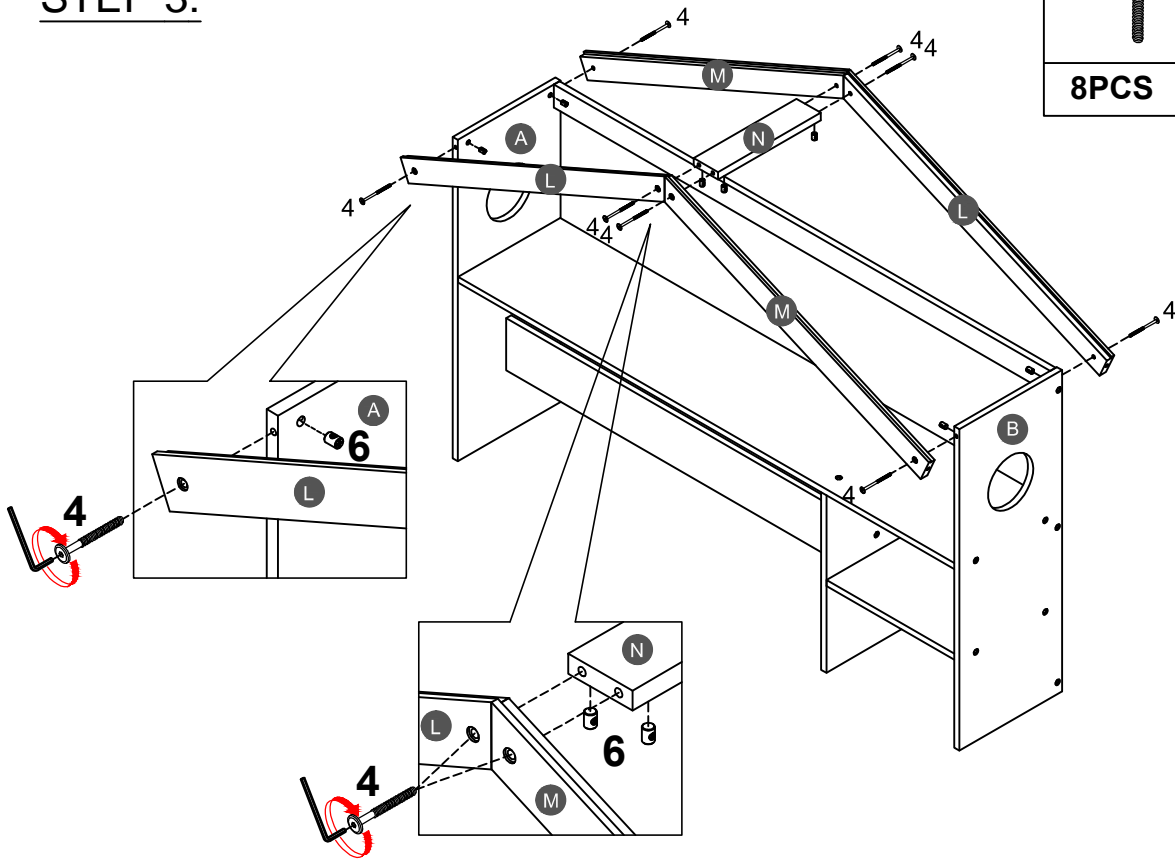
STEP 2:




1		4		6	
2PCS		12PCS		12PCS	

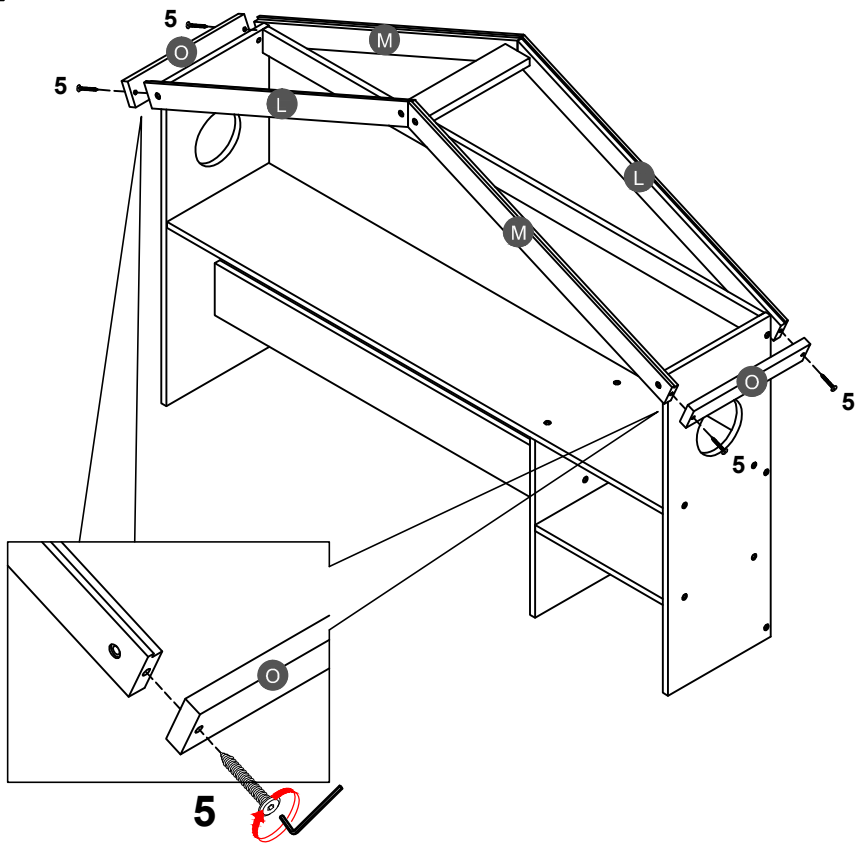
STEP 3:

4		6	
8PCS		8PCS	

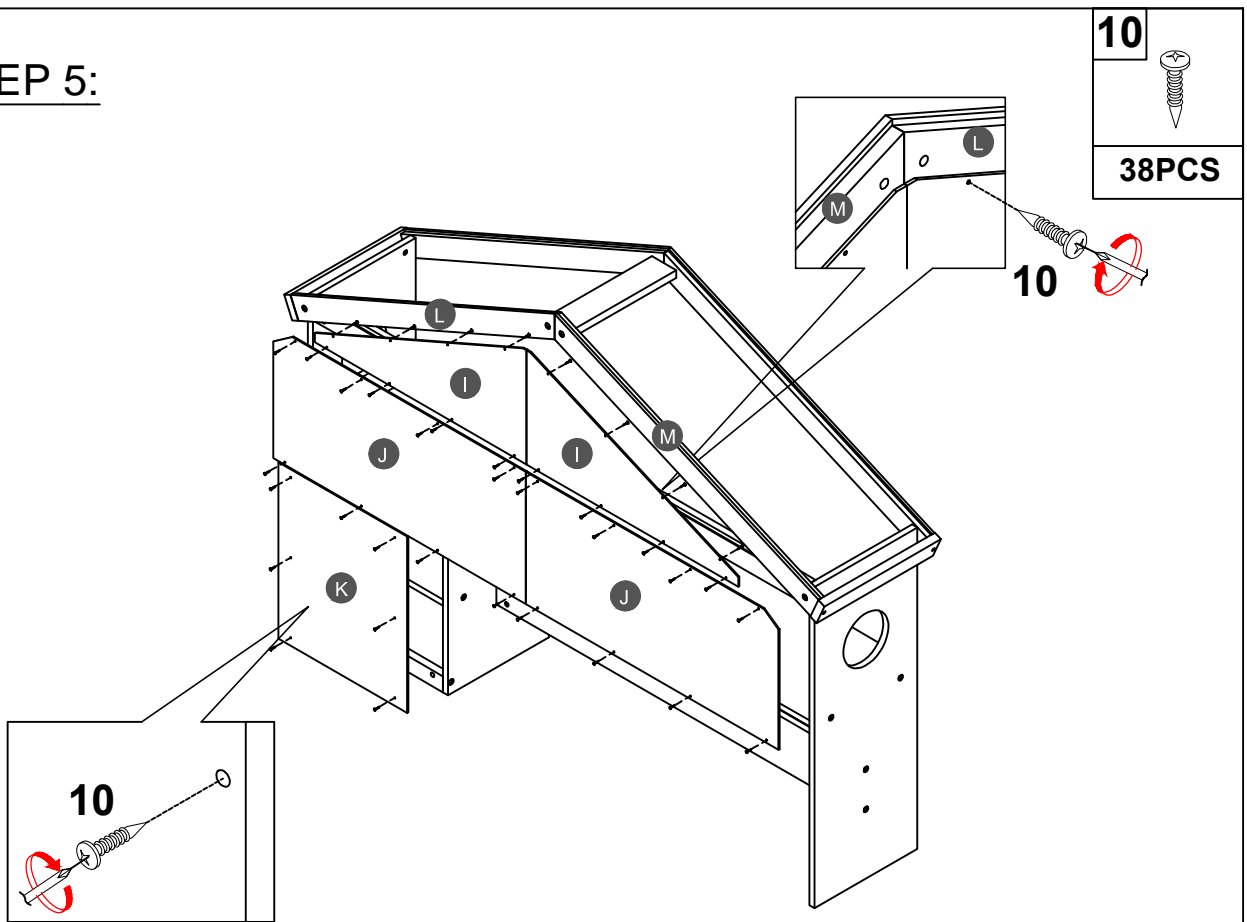


STEP 4:

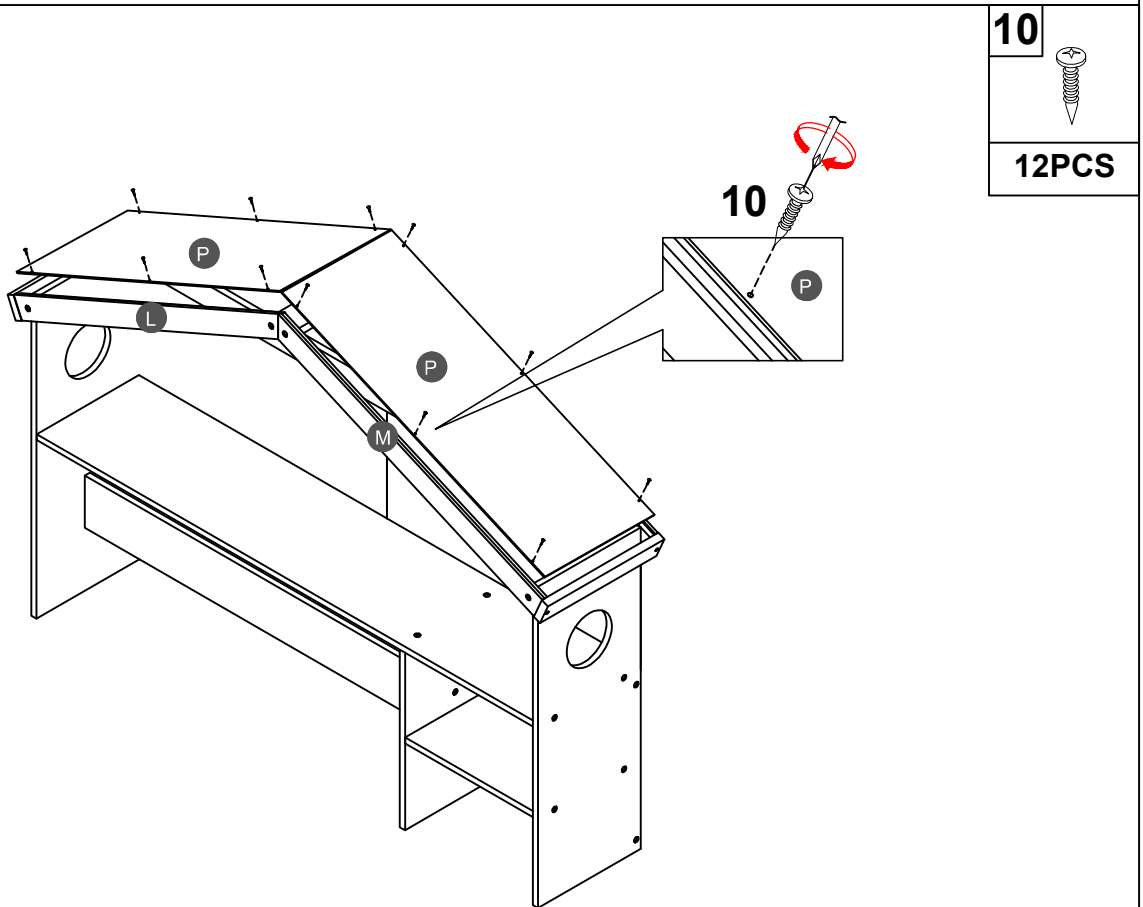
5	
4PCS	



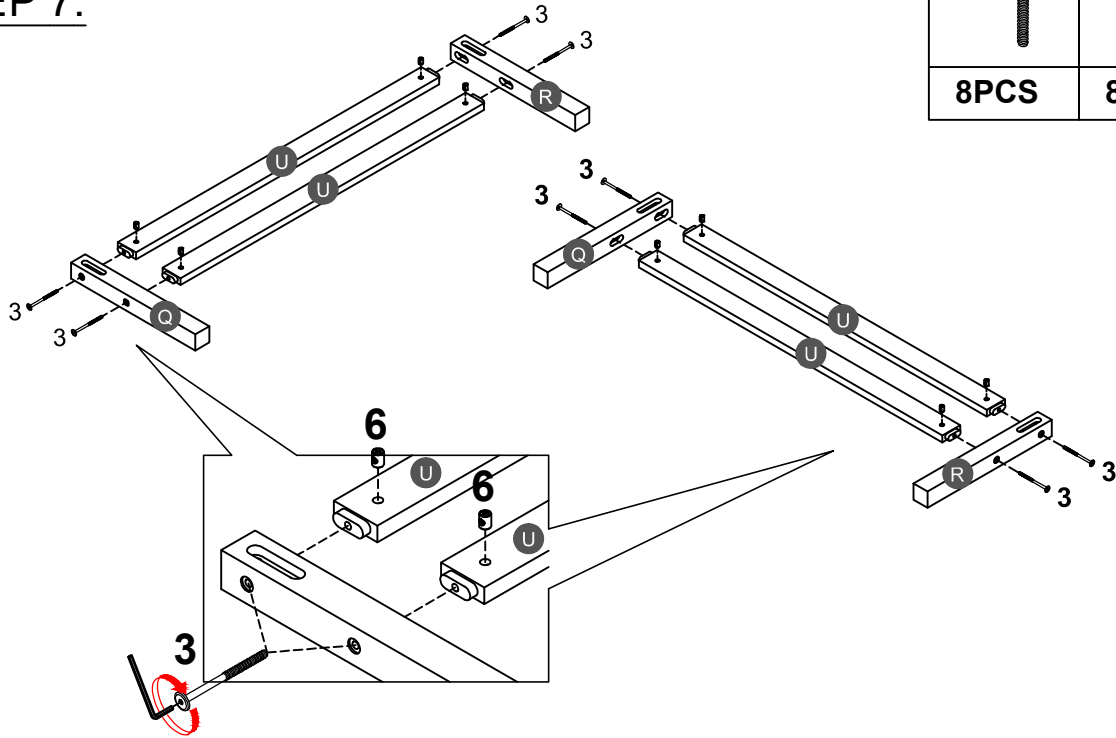
STEP 5:





STEP 6:

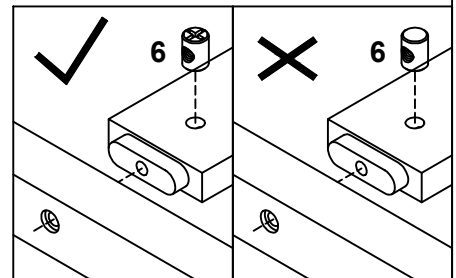


STEP 7:

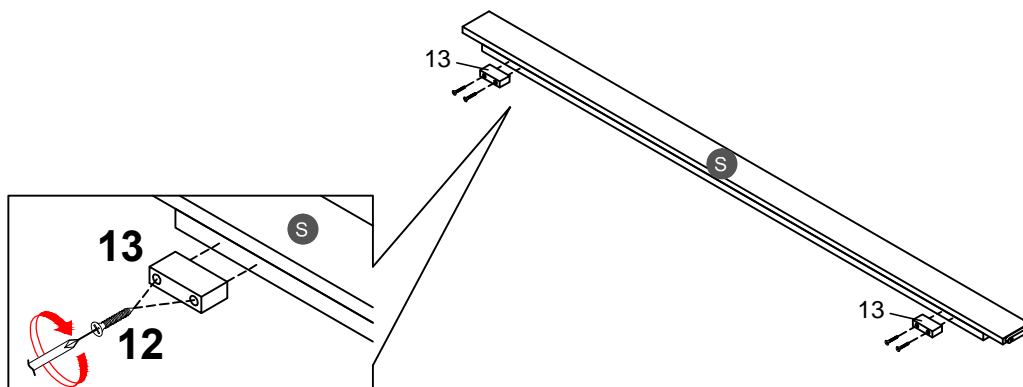



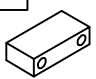
3		6	
8PCS		8PCS	

Note: Part 6 will face up with the "x" mark on it, otherwise it cannot be tightened





STEP 8:

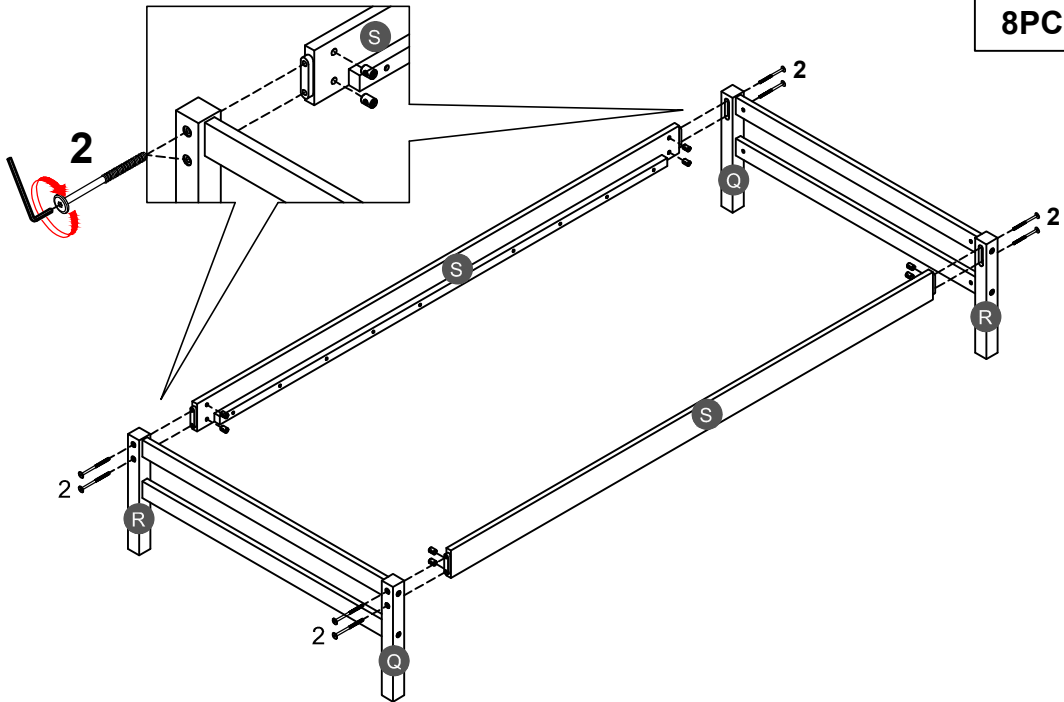


12		13	
4PCS		2PCS	


Drawer stopper (13) with lower side rail front (S) by using screw (12).

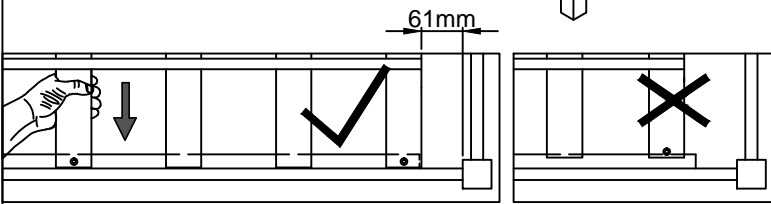
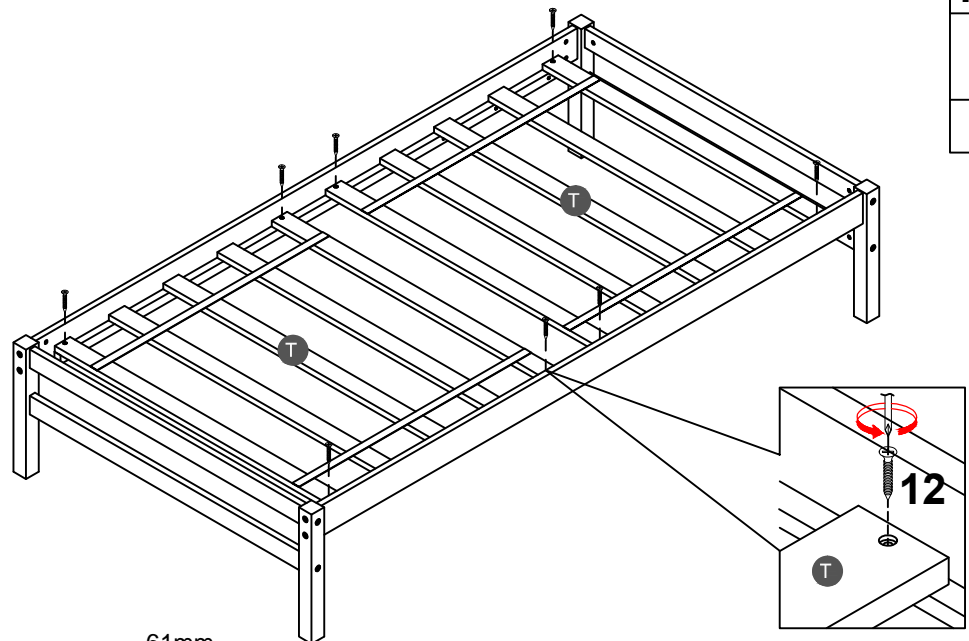
STEP 9:

2		6	
8PCS		8PCS	



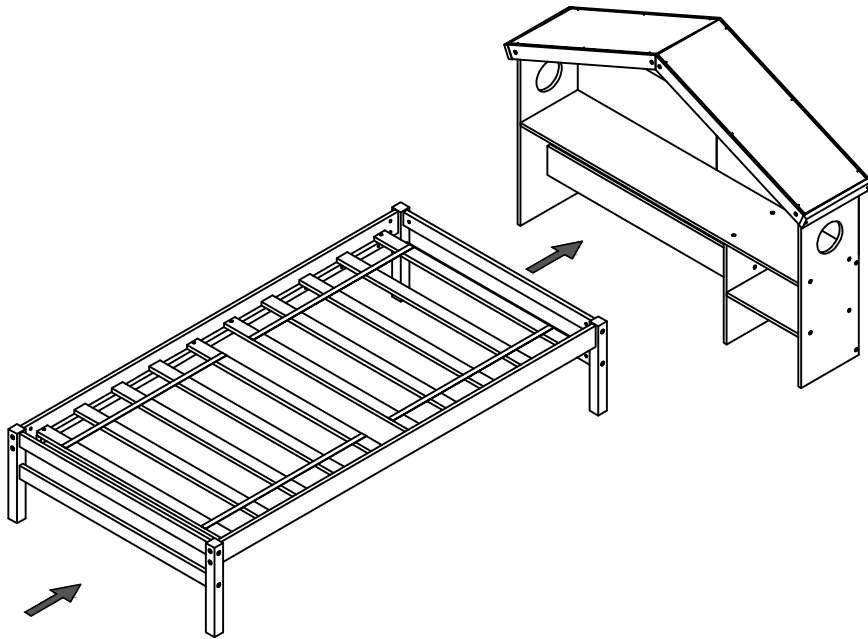
STEP 10:

12	
8PCS	

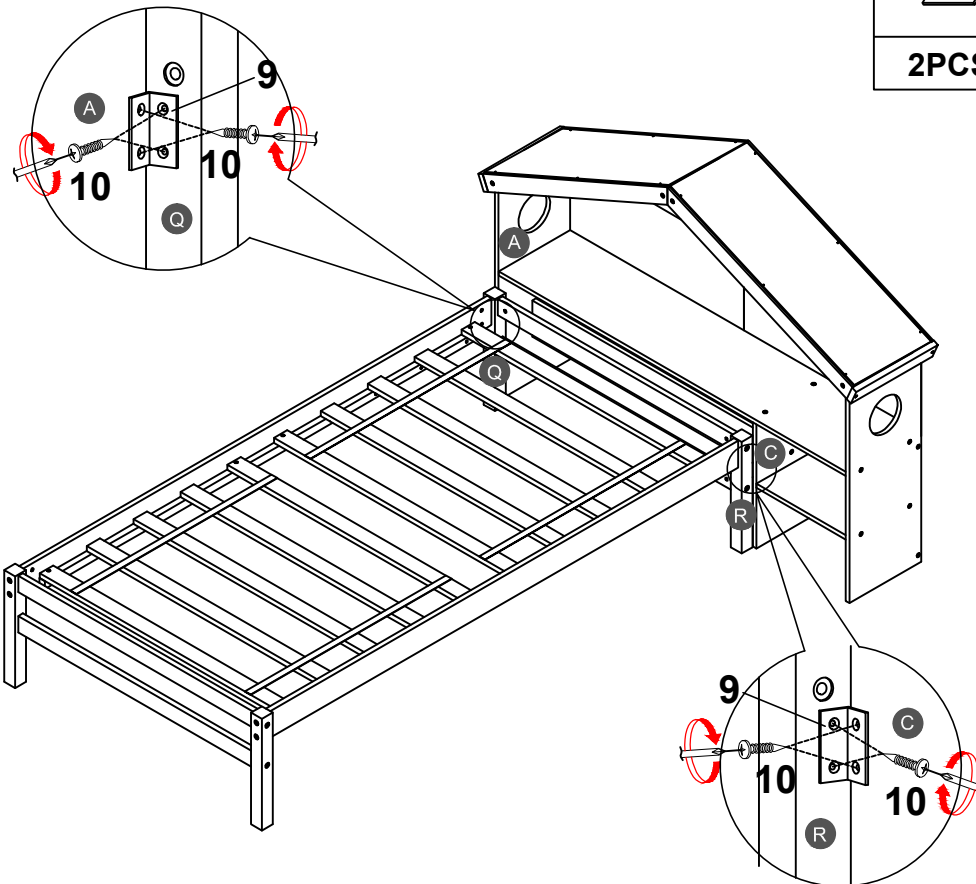




Note: Do not lock the screws of the bed slats to the outermost edge of the bed slats, you need to leave a certain space at the edges, otherwise it will cause the board to break. Do not lock the bed slats on the edge of the wood, please hold firmly before screwing , hold it in place with one hand, then lock the screw.

STEP 11:

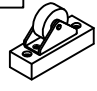



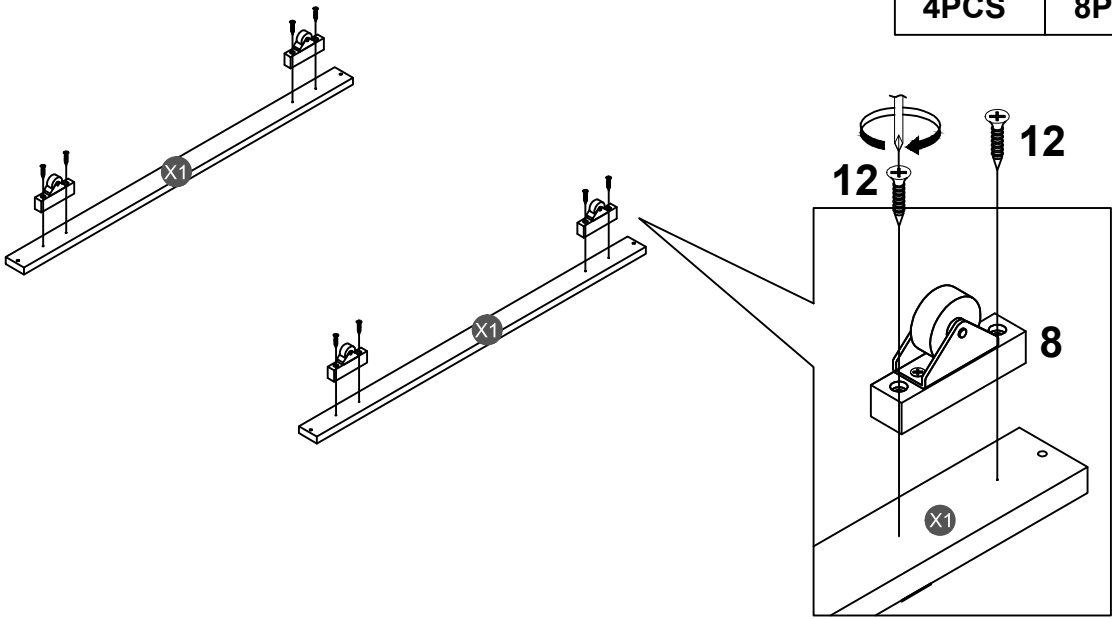
STEP 12:




9	10
	
2PCS	8PCS

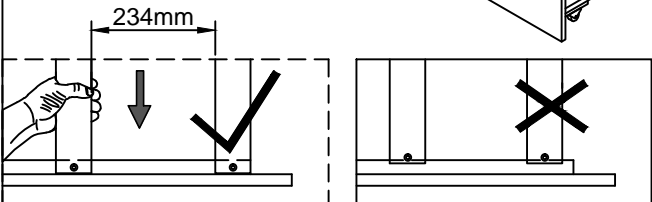
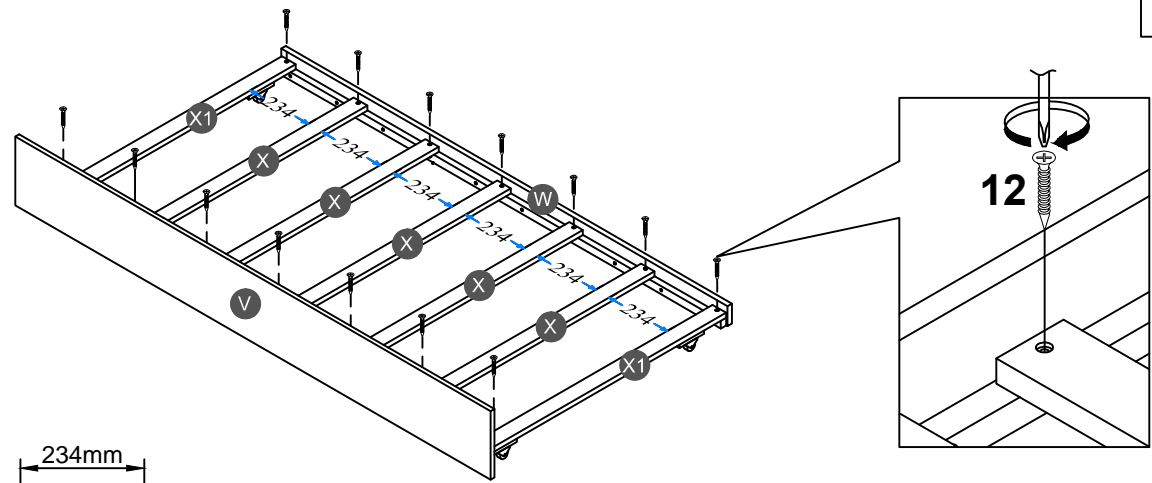
STEP 13:

8	12
	
4PCS	8PCS



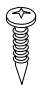
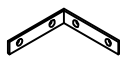
STEP 14:

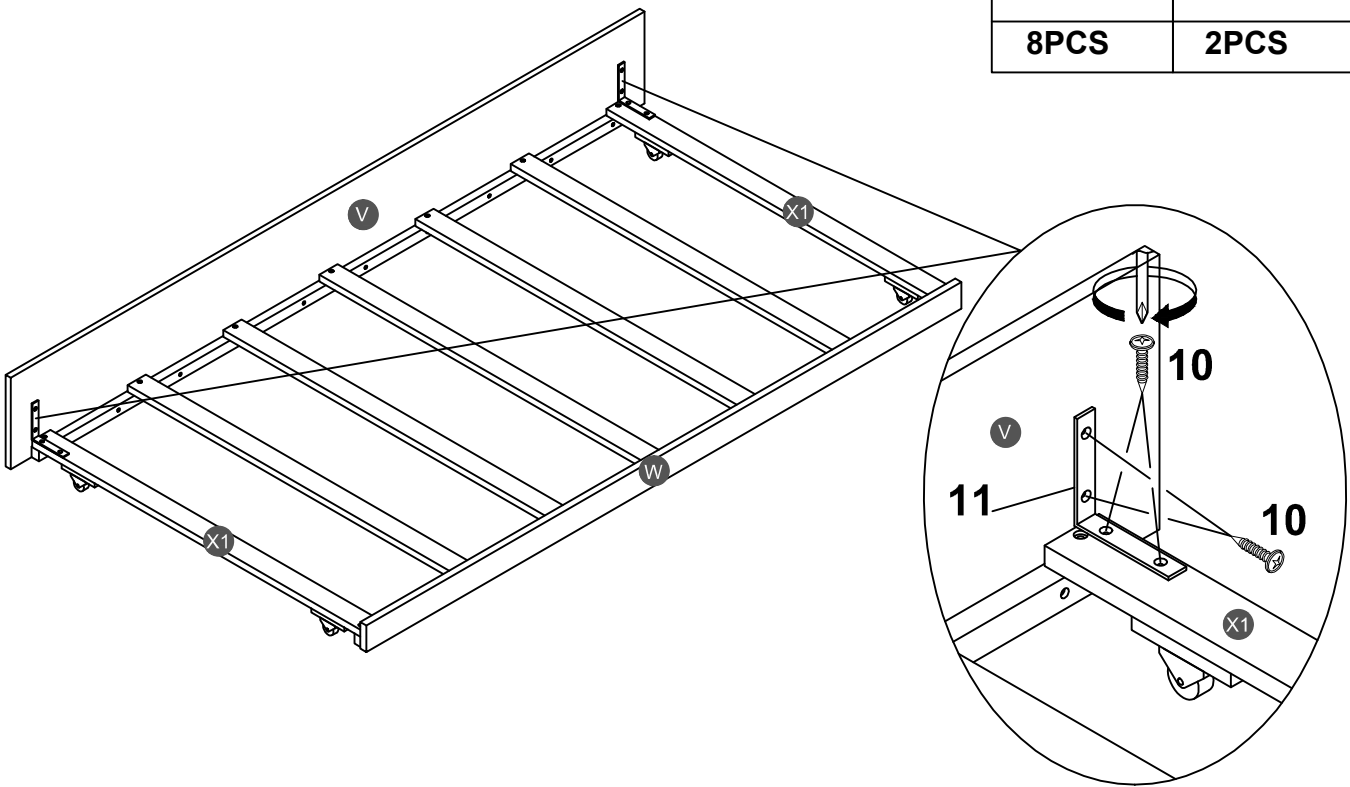
12

14PCS



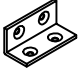

Note: Do not lock the screws of the bed slats to the outermost edge of the bed slats, you need to leave a certain space at the edges, otherwise it will cause the board to break.
Do not lock the bed slats on the edge of the wood, please hold firmly before screwing , hold it in place with one hand, then lock the screw.

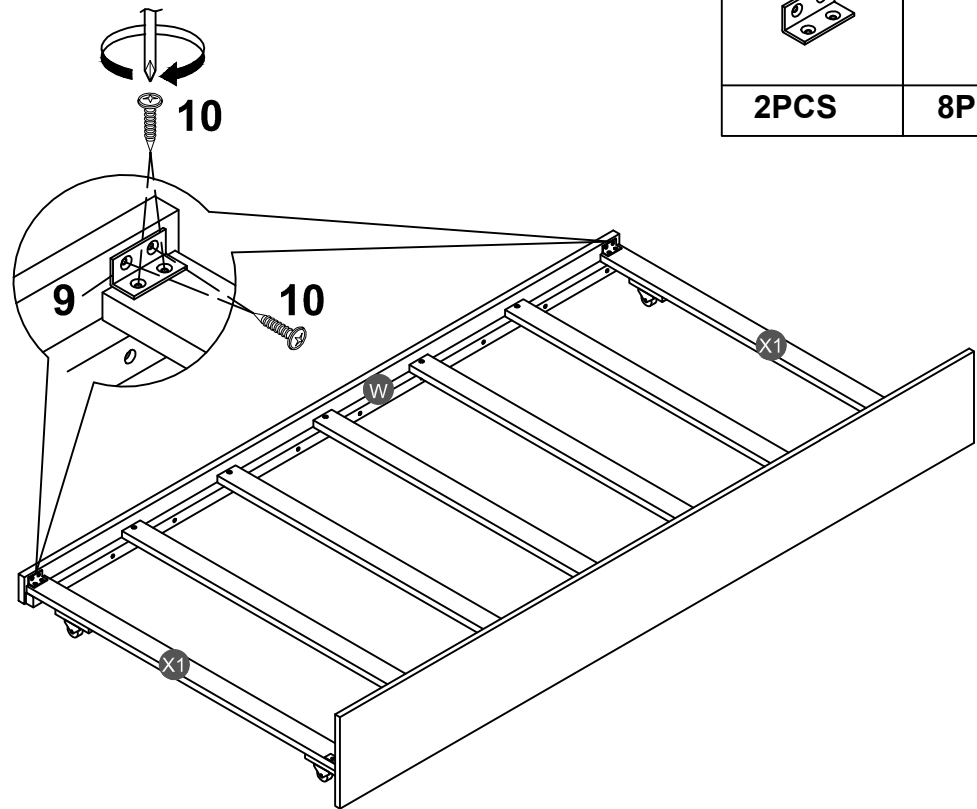
STEP 15:

10		11	
8PCS		2PCS	

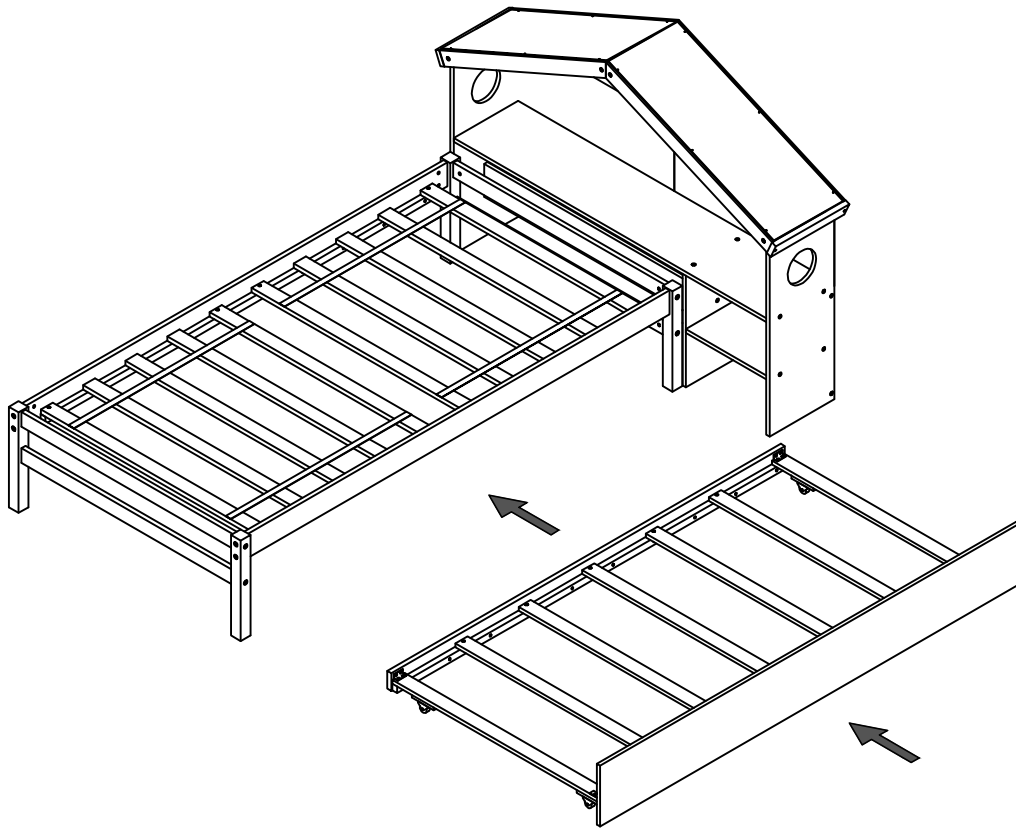


STEP 16:

9		10	
2PCS		8PCS	



STEP 17:



Push Trundle and Drawer under the bottom of Bunkbed.

