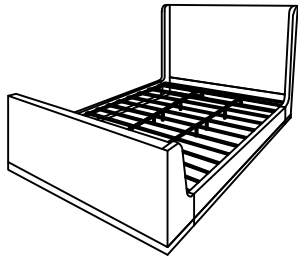


ASSEMBLY INSTRUCTIONS

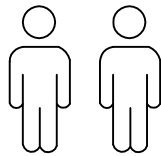
Bed- K



+ Do Not Use Power Tools



+ Suggested Adults



NOTE:

- 1 Read instructions cover to cover.
- 2 Save all packaging until assembly is completed.

1 IMPORTANT SAFETY INFORMATION

Do not assemble the product if any of the following parts arrived damaged:

- | | |
|---------------------------------------|---|
| Part#1 -HeadBoard | Part #7 -Center leg |
| Part #2 -FootBoard | |
| Part #3 -Wood strip for Side rail | |
| Part #4 -Middle support rail of slats | |
| Part #5 -Side rail | Part #8 -Wood Block on Headboard &Footboard |
| Part #6 -Slats | |

Do not assemble if any of the following Hardware parts are missing:

- | | |
|-----------------------|-------------------------|
| Part#B,E,H -Bolt | Part#D,I -Lock washer |
| Part #A -Allen Key | Part # G -Metal bracket |
| Part# C,I-Flat washer | Part# F-screw |

2 IMPORTANT ASSEMBLY INFORMATION

Assembly Step If loosening persists, please make sure to tighten all the bolts periodically, or use a thread locker adhesive.

+ Parts Included

① HeadBoard (1 pc)



② FootBoard (1 pcs)



③ Wood strip for Side rail (2 pcs)



④ Middle support rail of slats (2 pcs)



⑤ Side rail (2 pcs)



⑥ Slats (13 pcs)



⑦ Center leg (8 pcs)



⑧ Wood Block on Headboard &Footboard (4 pcs)



+ Hardware Included

A Ø5/16" (1 pc)



B Ø5/16"*3/4" (24 pcs)



C Ø5/16" (36 pcs)



D Ø5/16"*3/4" (36 pcs)



E Ø1/4"*2 1/2" (12 pcs)



F M6*35mm (30 pcs)



G Metal bracket (4 pcs)



H Ø5/16"*2" (12 pcs)



I Ø1/4" (12 pcs)



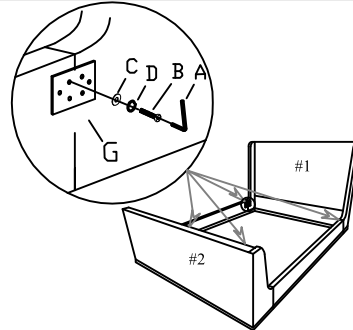
J Ø1/4" (12 pcs)



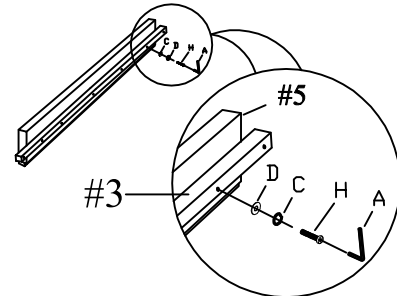
ASSEMBLY INSTRUCTIONS

Bed- K

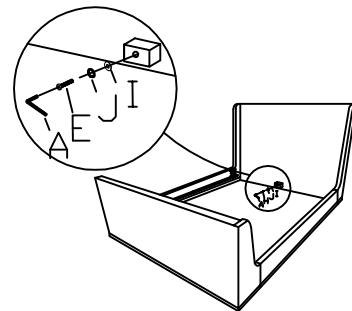
- 1** Step 1: Attach Metal Bracket (G) to side rail (#5), Headboard (#1) and Footboard (#2) with Bolt (B), Lock washer (D) and Flat washer (C). Tighten with Allen Key (A).



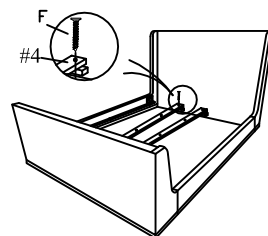
- 2** Step 2: Attach Wood strip for Side rail (#3) to Side Rail (#5), Headboard (#1), and Footboard (#2) with Bolt (H), Lock washer (D) and Flat Washer (C). Tighten with Allen Key (A).



- 3** Step 3: Attach Wood block (#8) to Headboard (#1) and Footboard (#2) with Bolt (E), Lock washer (J) and Flat Washer (I). Tighten with Allen Key (A)



- 4** Step 4: Attach Middle Support Rail (#4) to Headboard (#1) and Footboard (#2) with Screw (F).

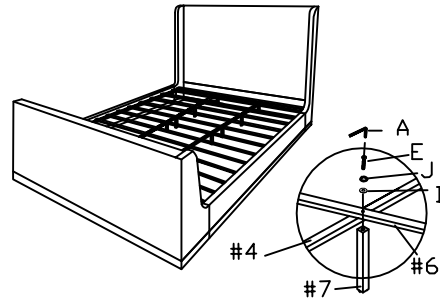


ASSEMBLY INSTRUCTIONS

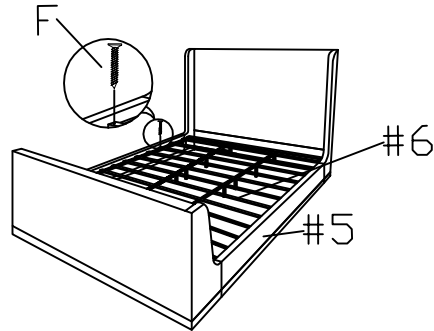
Oliver Bed- K

meridian.
furniture

- 5** Step 5: Attach Center Leg (#7) TO Middle support rail (#4) and Slats (#6) with Bolt (E), Lock washer (J) and Flat washer (I). Tighten with Allen Key (A).



- 6** Step 6: Attach Slats (#6) to Side rail (#5) with Screw (F).



- 7** Step 7: Assembly Complete.

