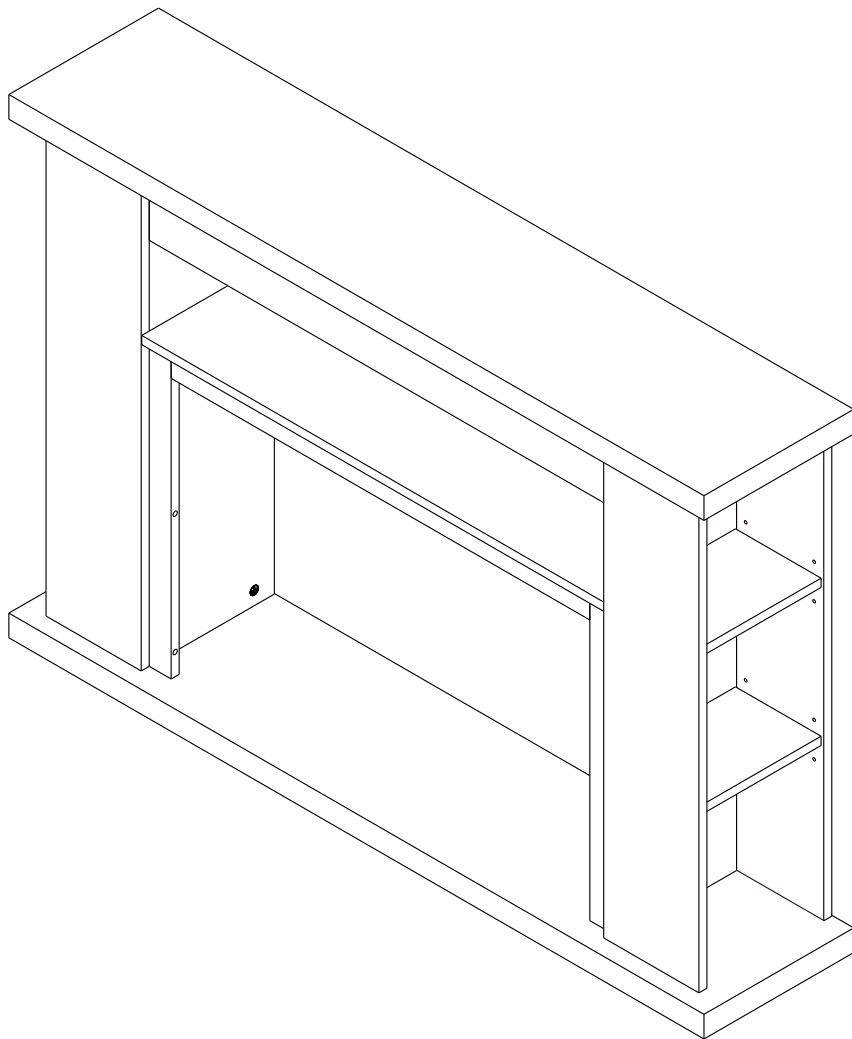


FIREPLACE MANTEL

ASSEMBLY INSTRUCTIONS

MT376E

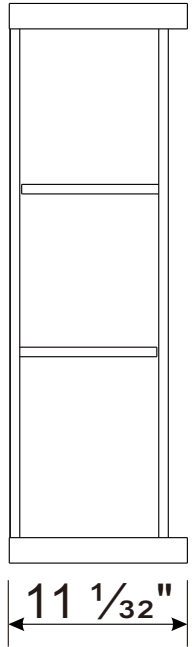
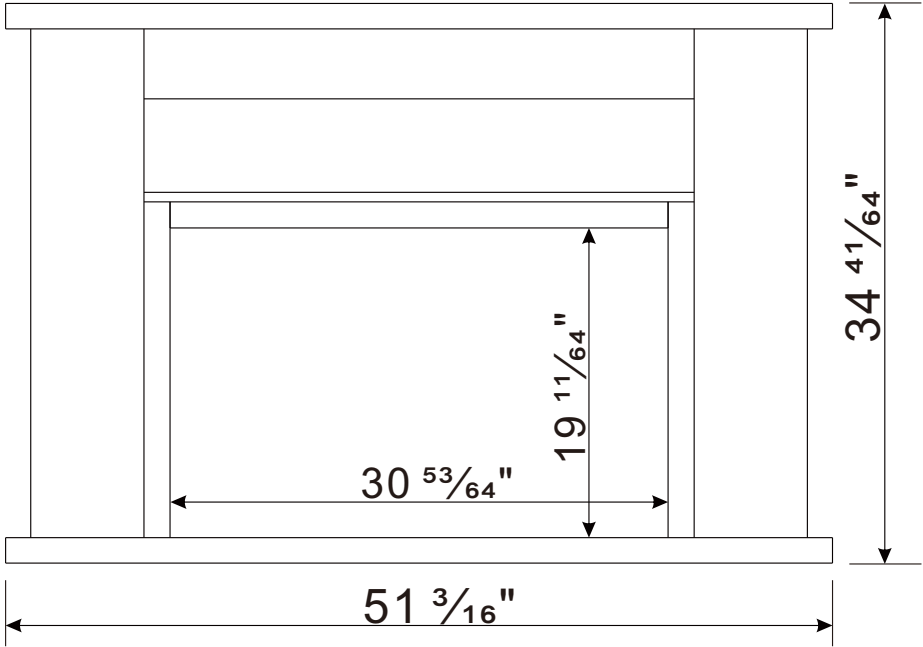


If you have a problem with this product, DO NOT RETURN

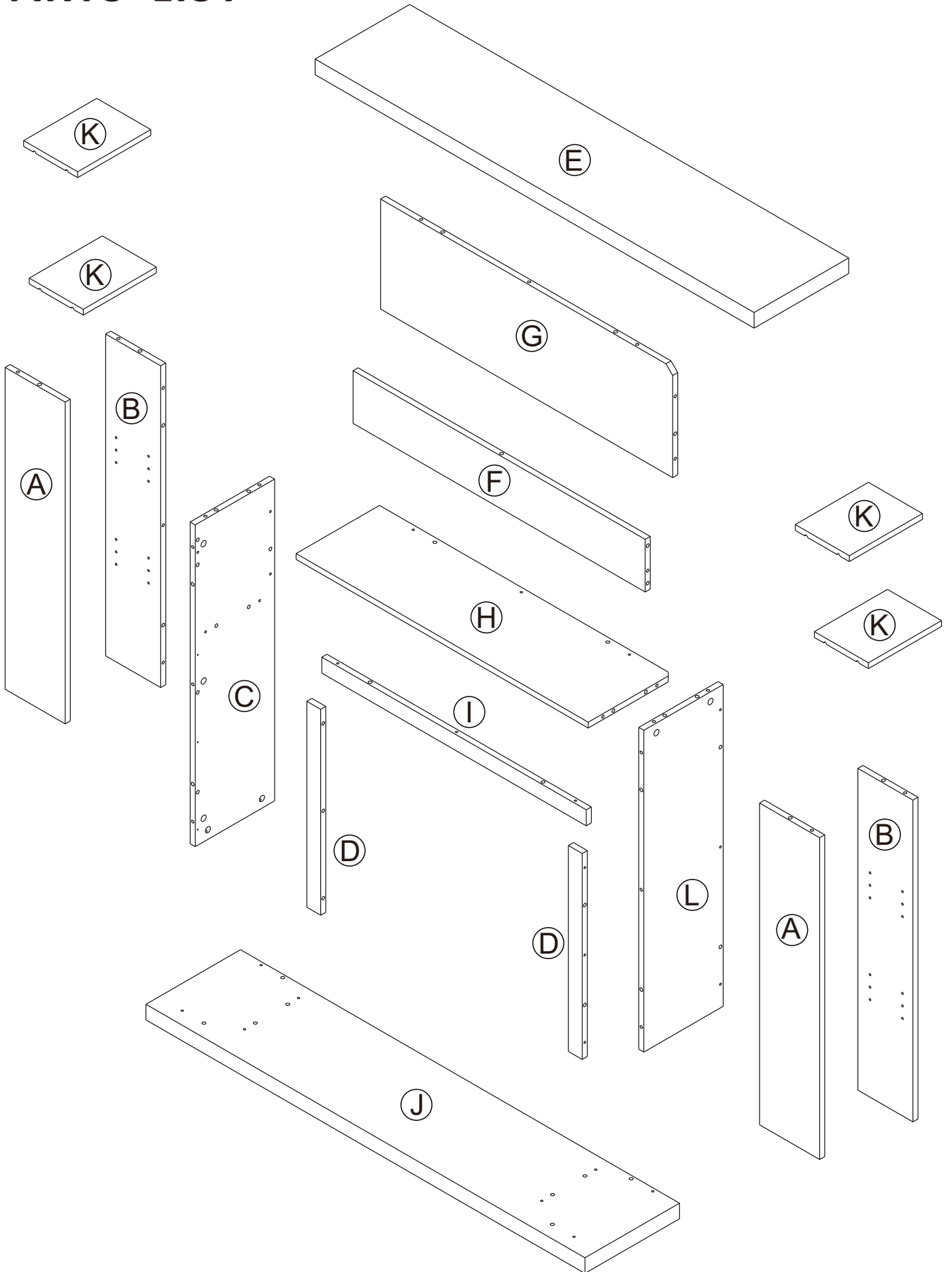
Call our customer service: 949-385-6588

or email: service5@fireandfireplaceservice.com


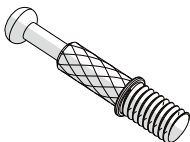
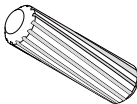
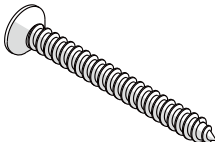
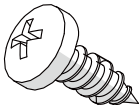
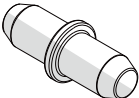


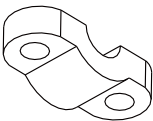
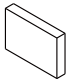
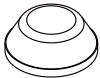
DIMENSIONS



PARTS LIST

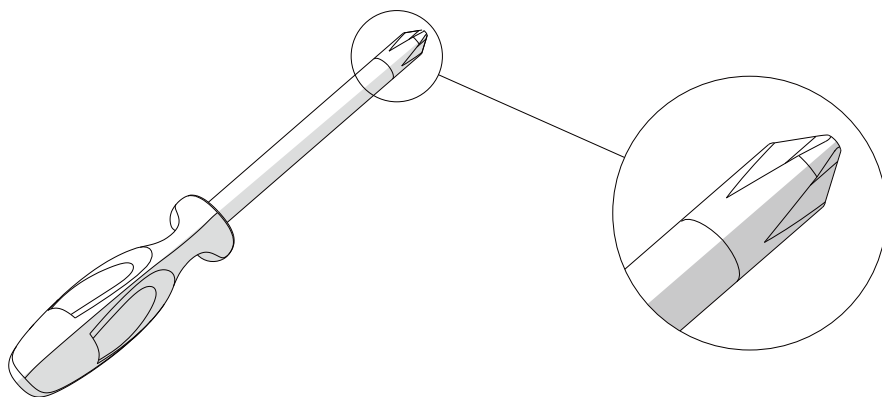


ACCESSORIES

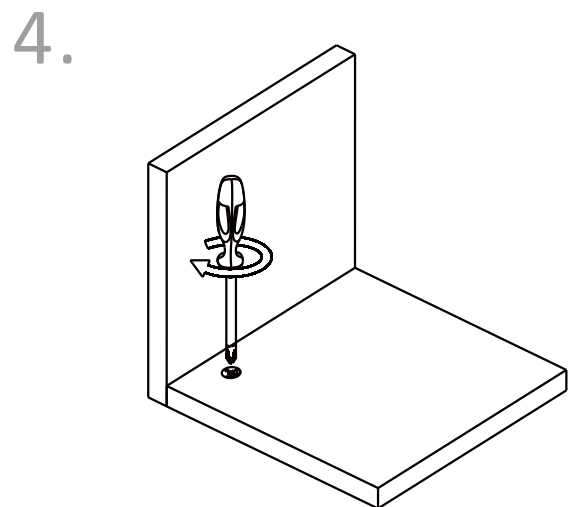
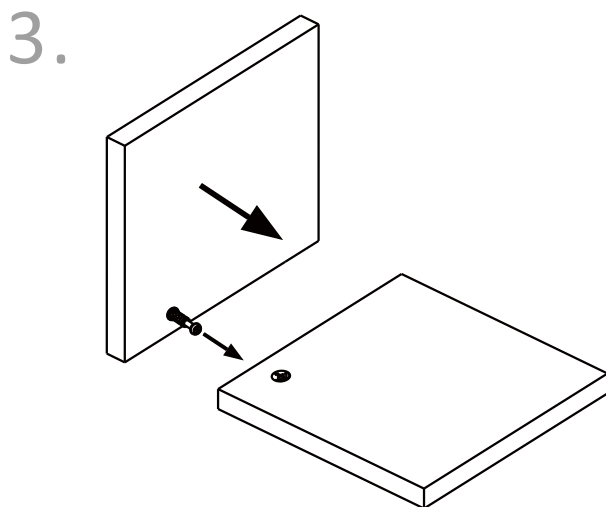
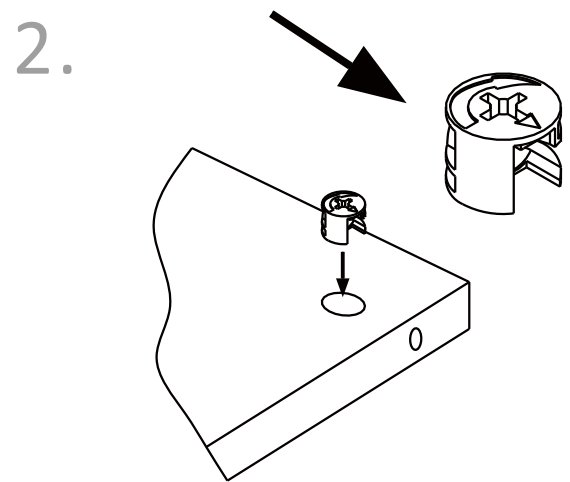
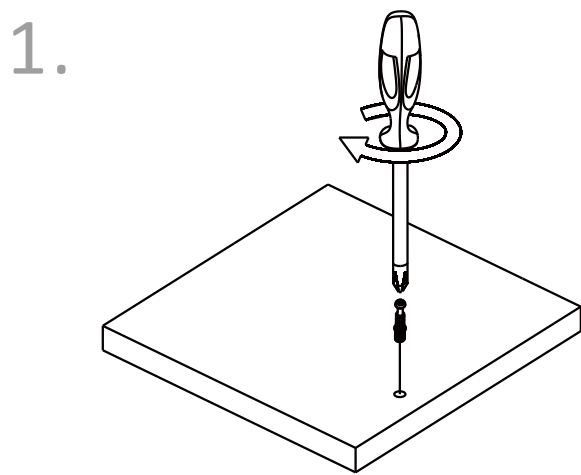
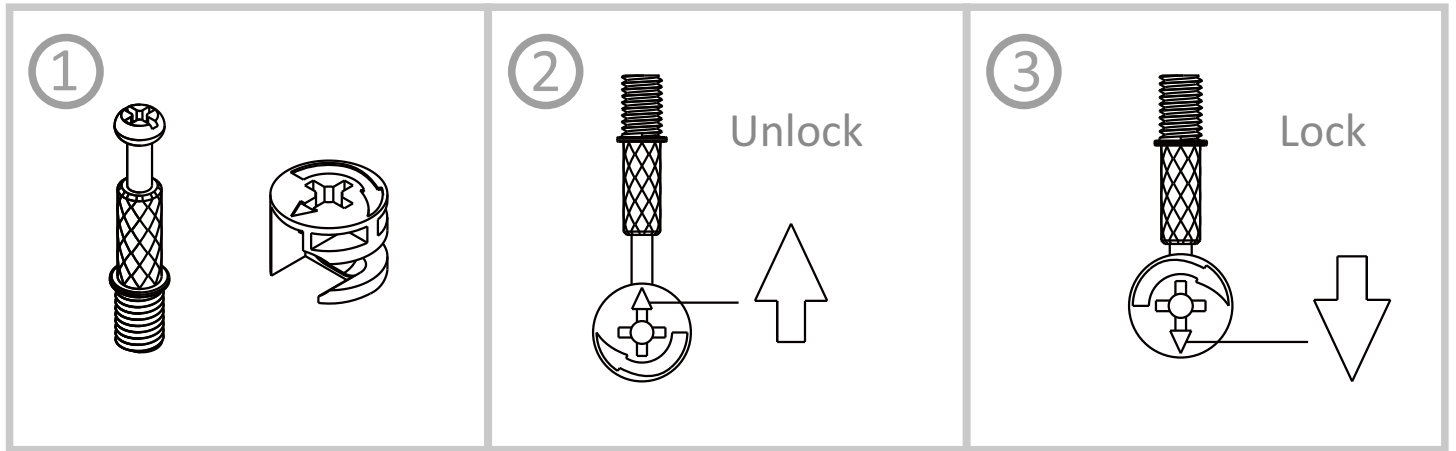
			
cam lock X44+1	cam bolt X44+1	wood dowel X45+1	screw ST4x50 X9+1
			
screw ST4x12 X10+1	pin X16+1	moodlight strip X1	connect wire X1
			
clamp X5	foam X5	rubber foot X6	

TOOLS REQUIRED

A screwdriver will be needed.



CAM LOCK FASTENING SYSTEM

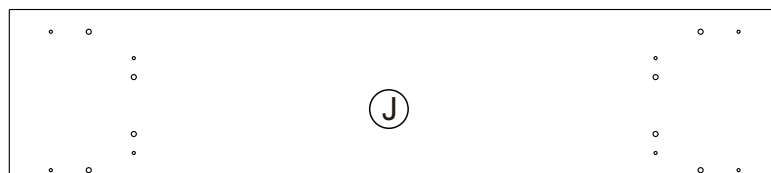
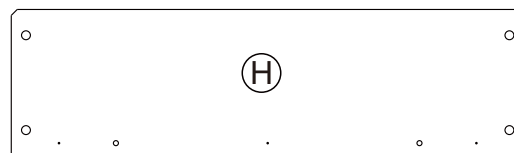
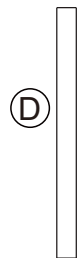
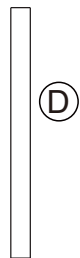
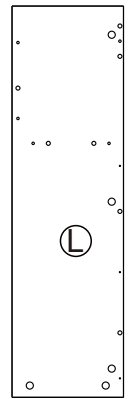
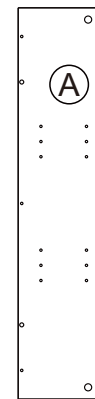
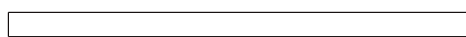
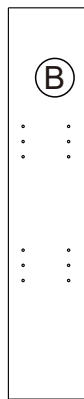
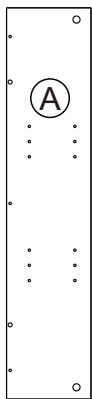
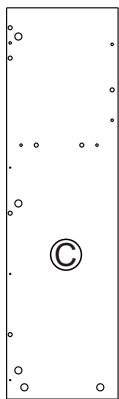
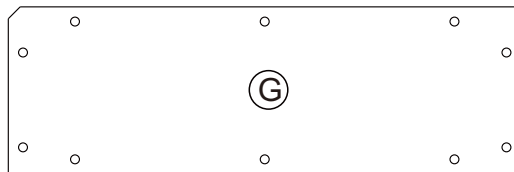
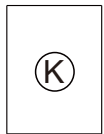
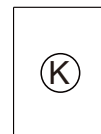
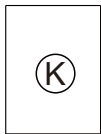
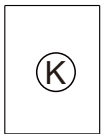
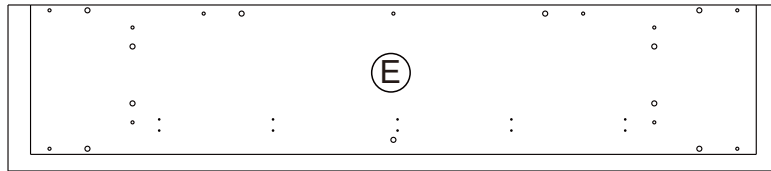


This cam lock fastening system will be used throughout the assembly process.

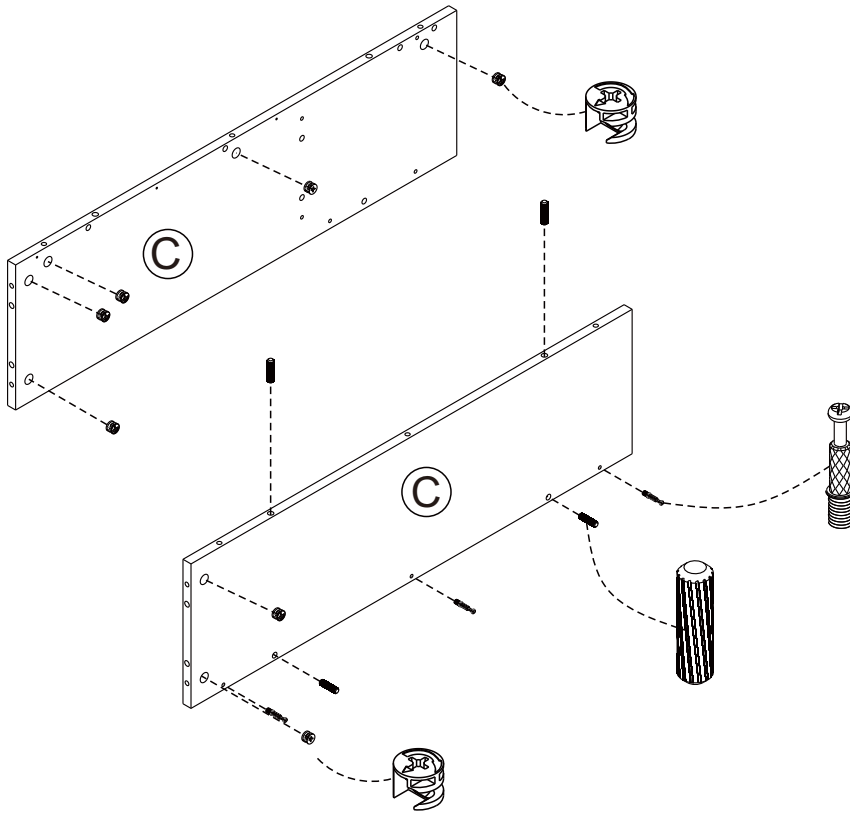
ASSEMBLY INSTRUCTIONS


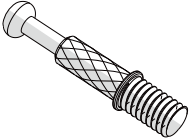
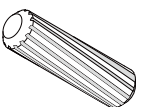
STEP 1

Take out all the parts, as shown on the floor. Please pay attention to protect the board surface.

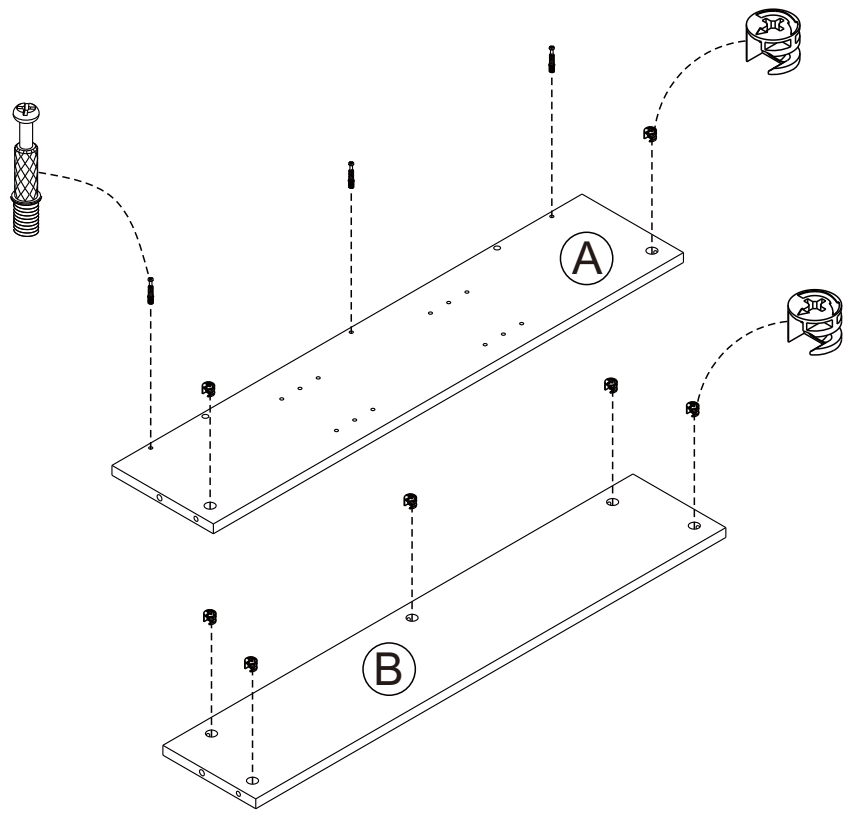



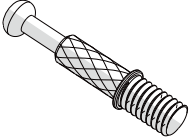
STEP 2



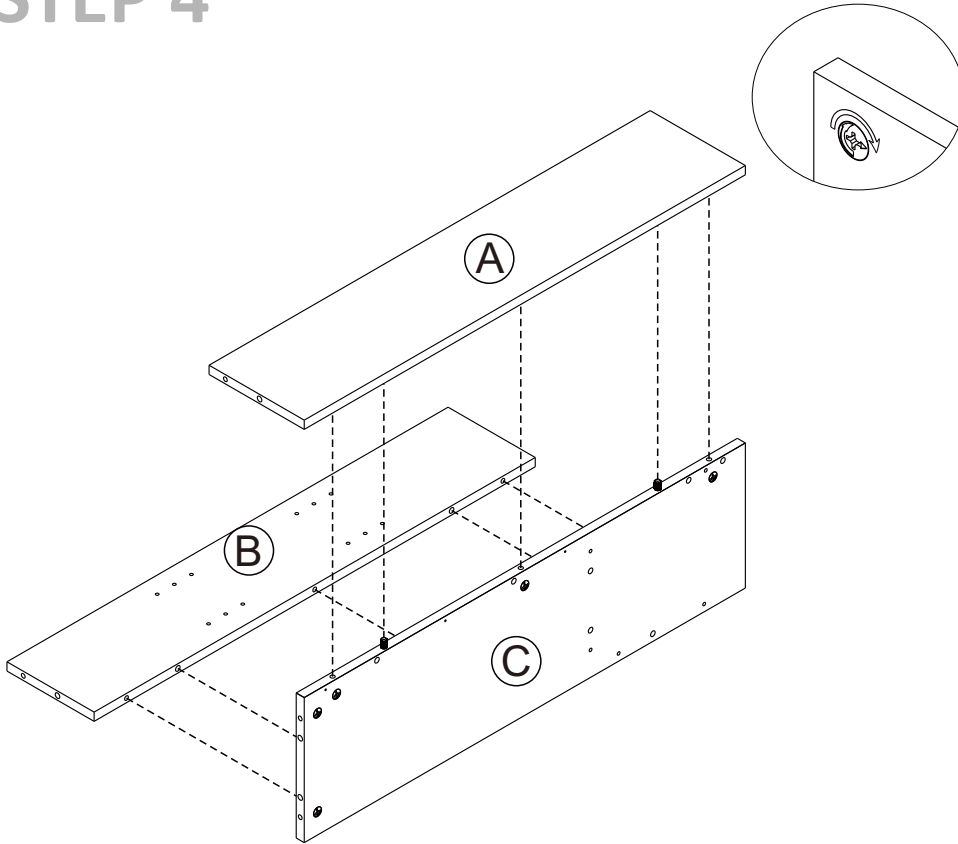
	cam lock	X7
	cam bolt	X3
	wood dowel	X4

STEP 3

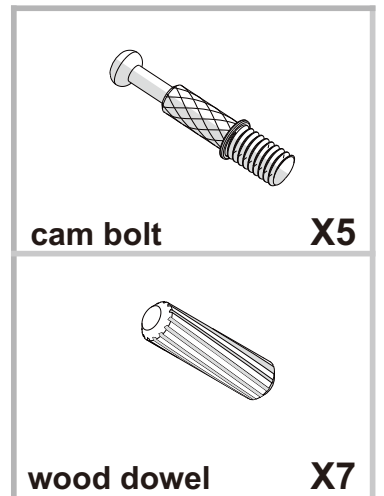
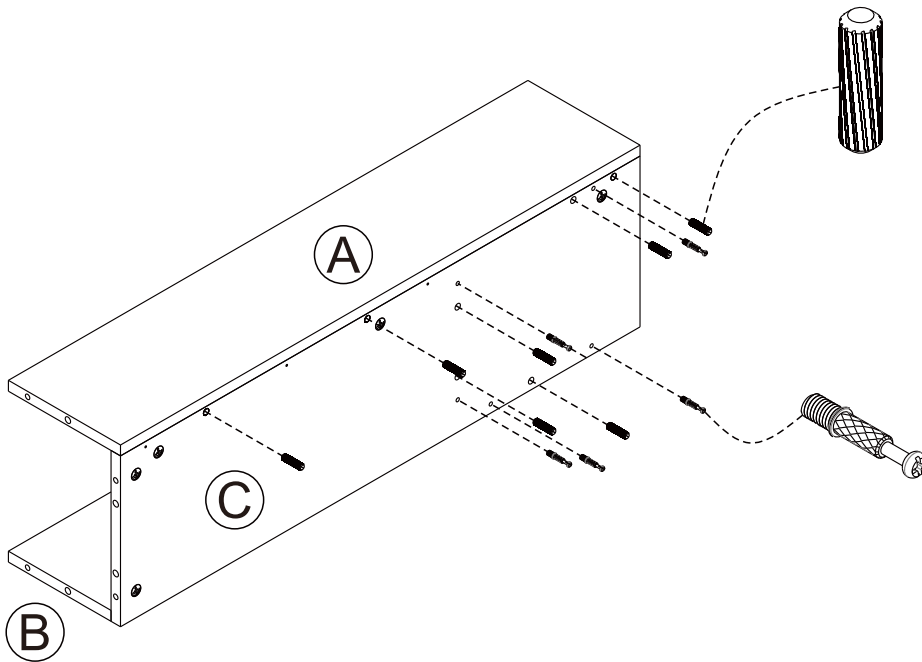


	cam lock	X7
	cam bolt	X3

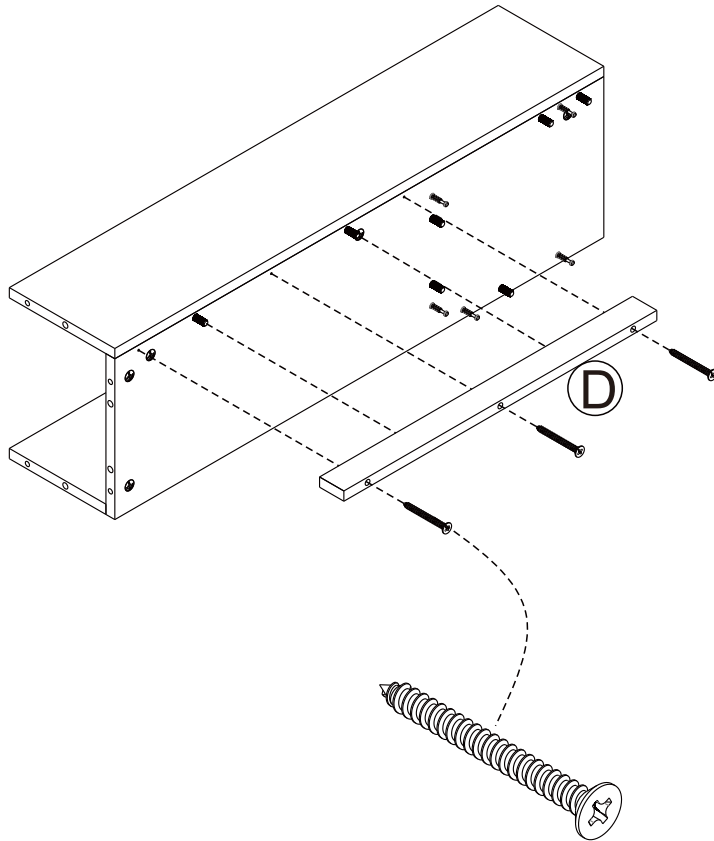
STEP 4



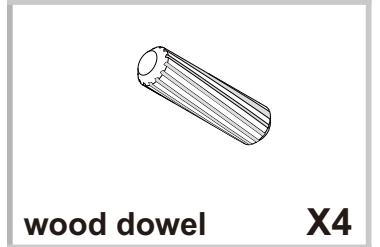
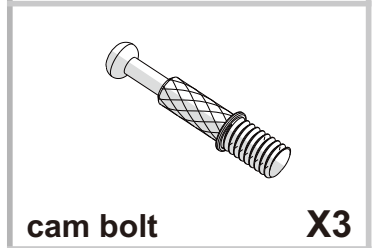
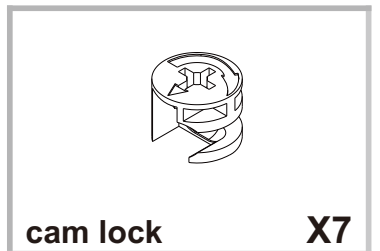
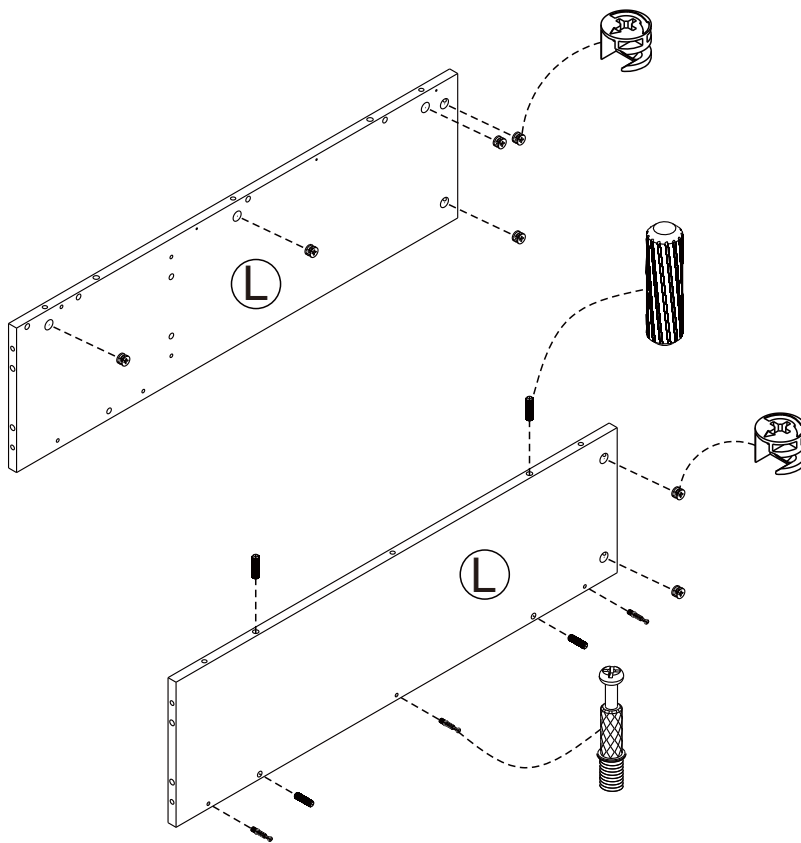
STEP 5



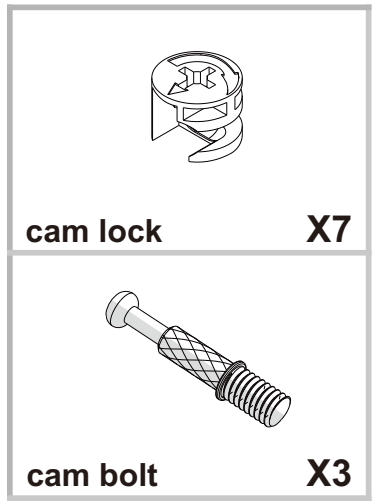
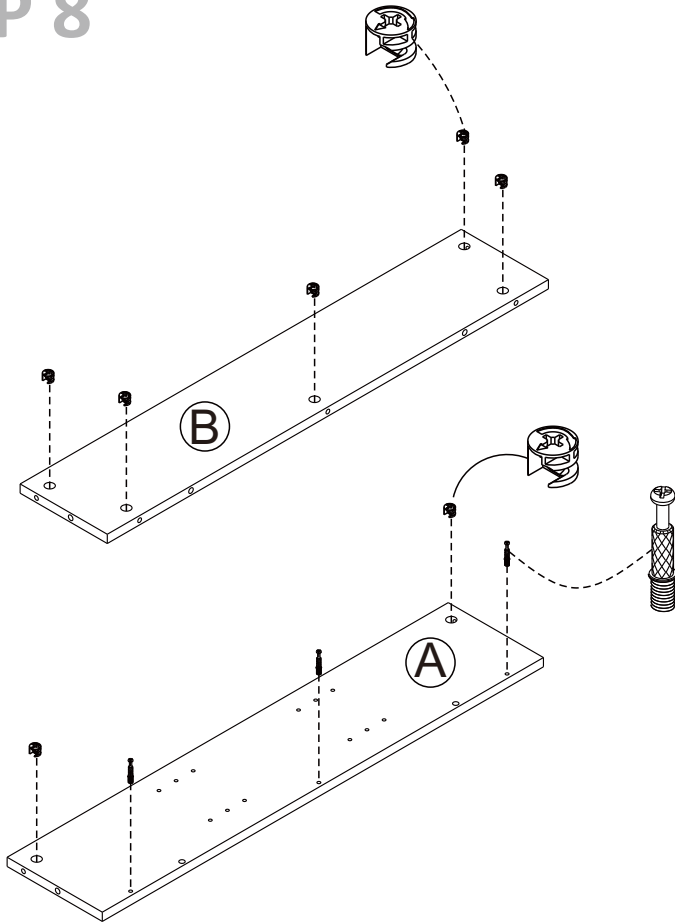
STEP 6



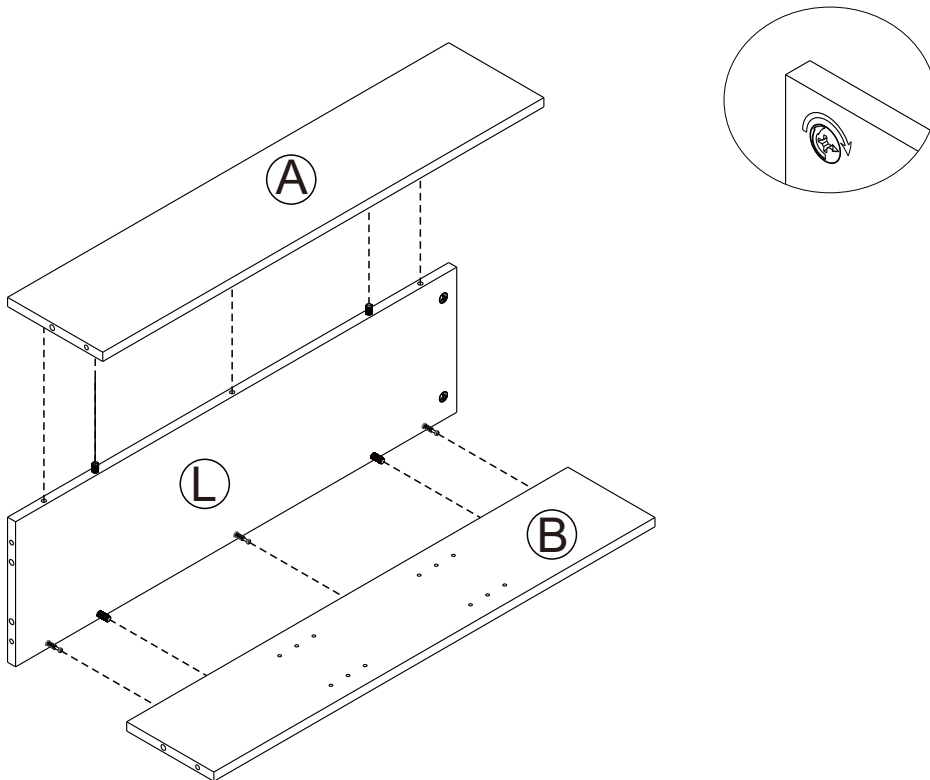
STEP 7



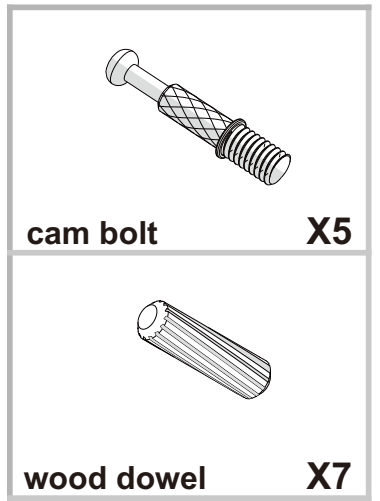
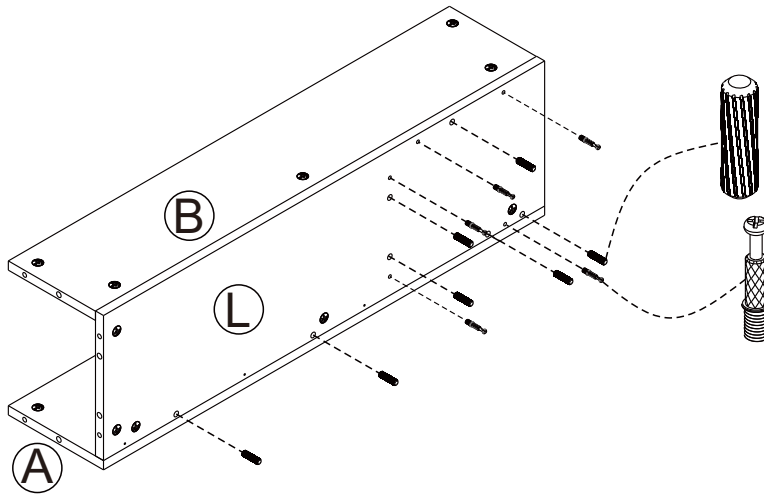
STEP 8



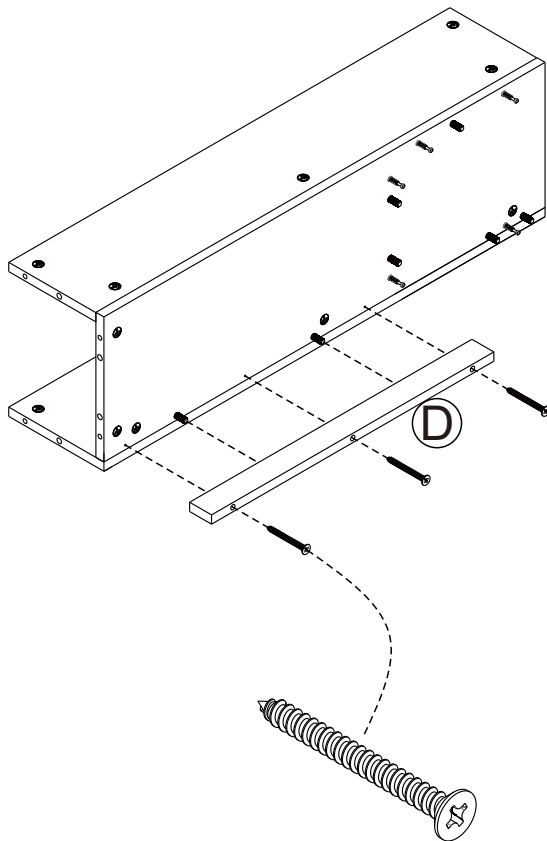
STEP 9



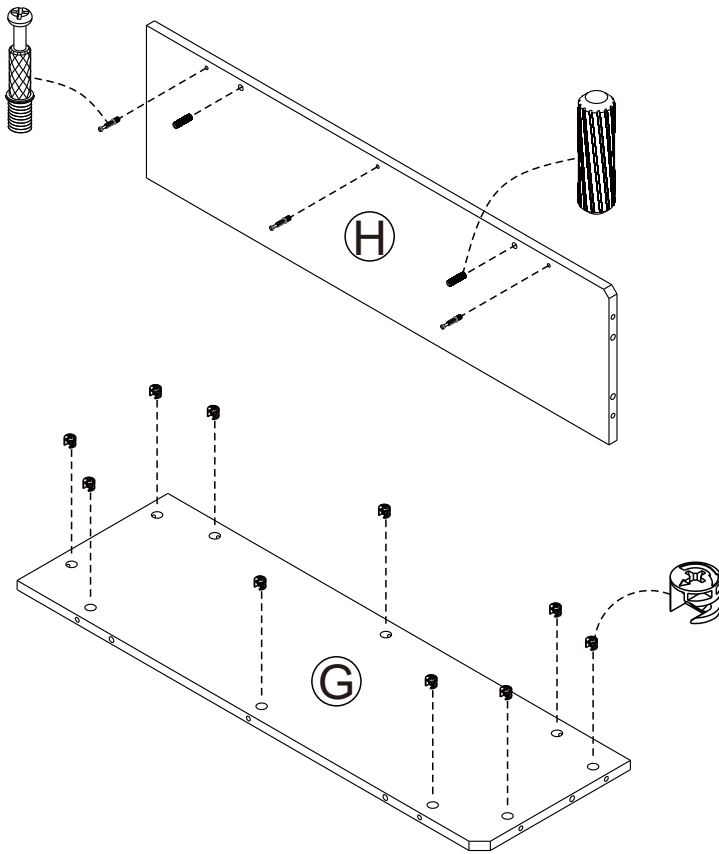
STEP 10

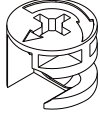
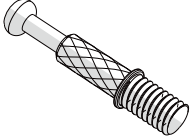
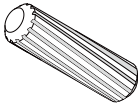


STEP 11

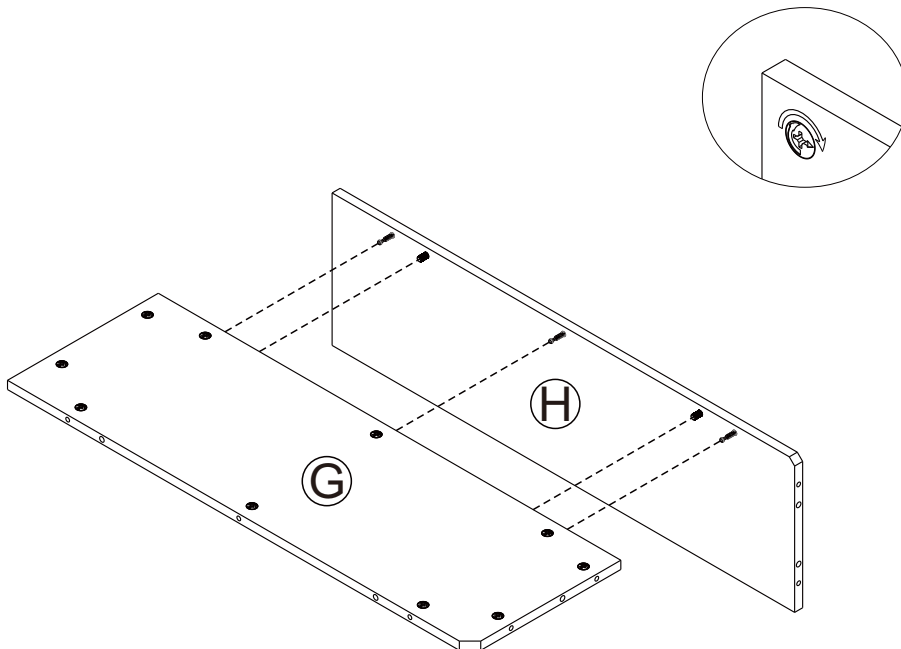


STEP 12

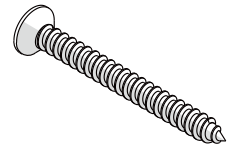
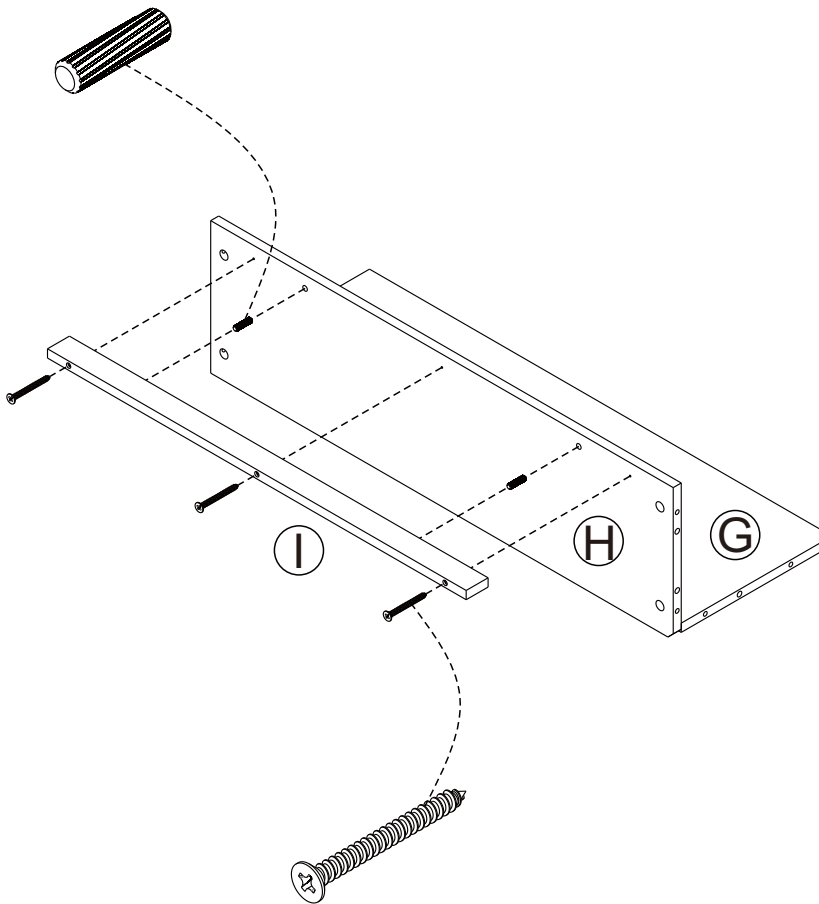


	cam lock	X10
	cam bolt	X3
	wood dowel	X2

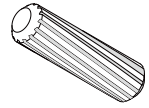
STEP 13



STEP 14

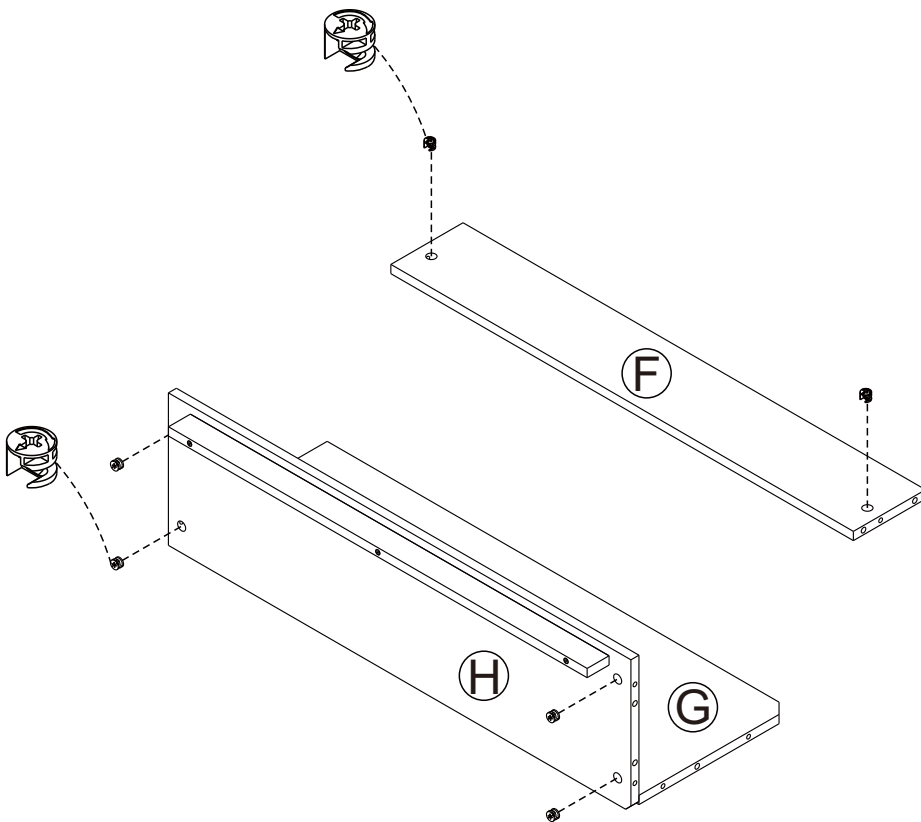


screw ST4x50 X3



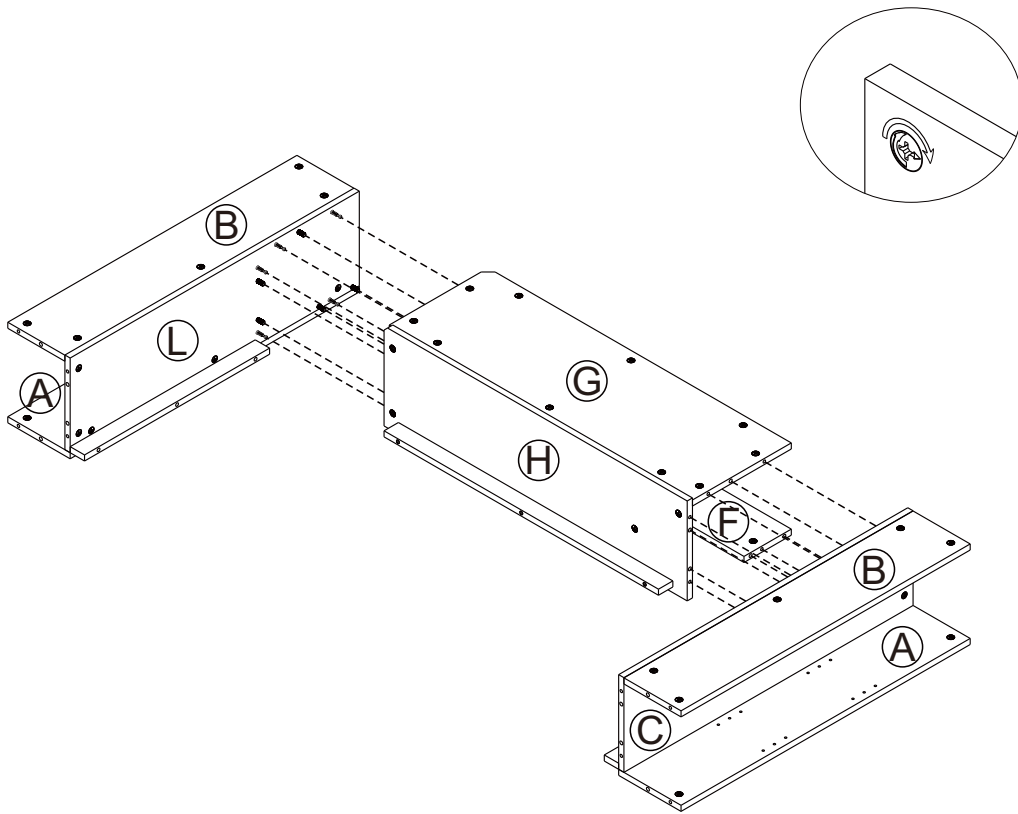
wood dowel X2

STEP 15

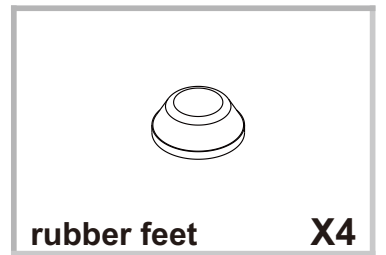
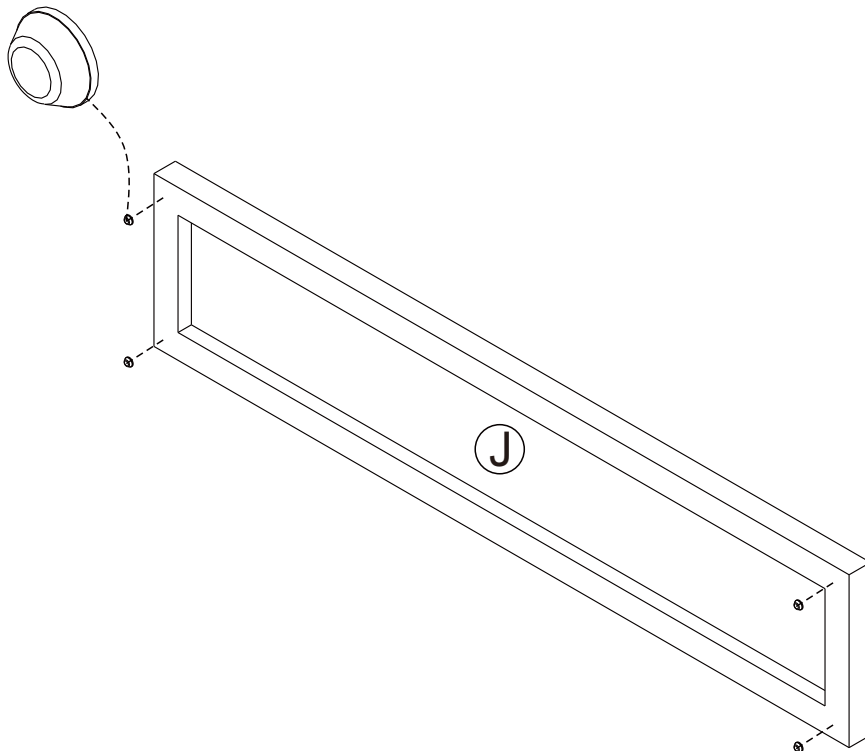


cam lock X6

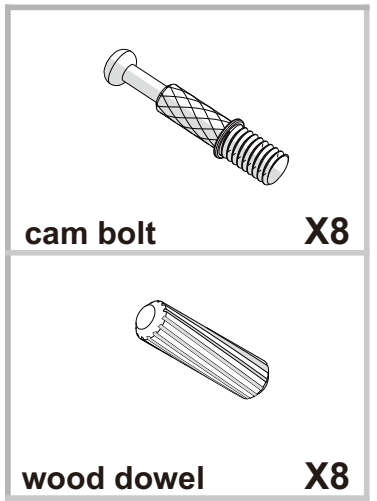
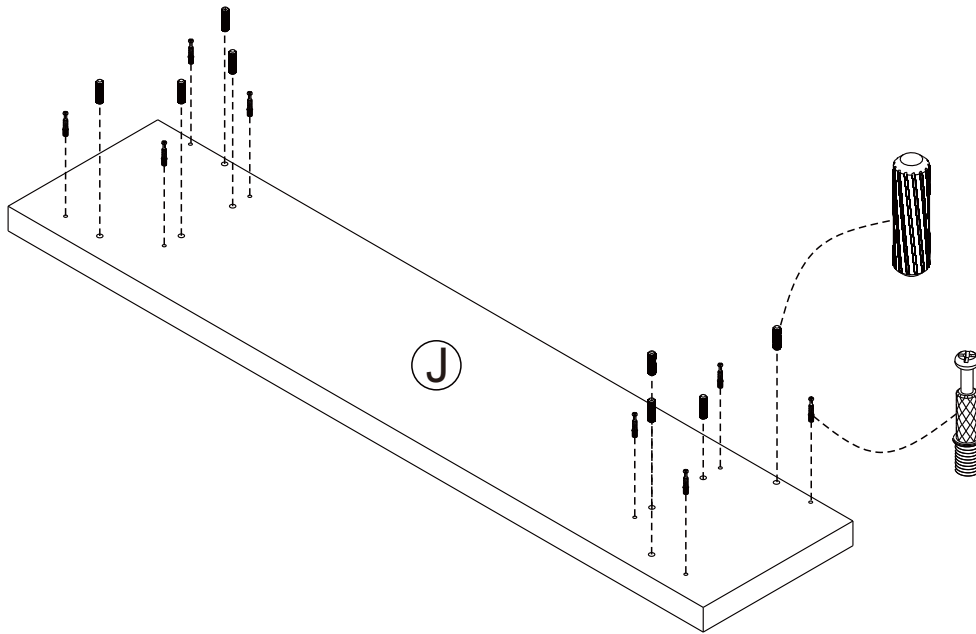
STEP 16



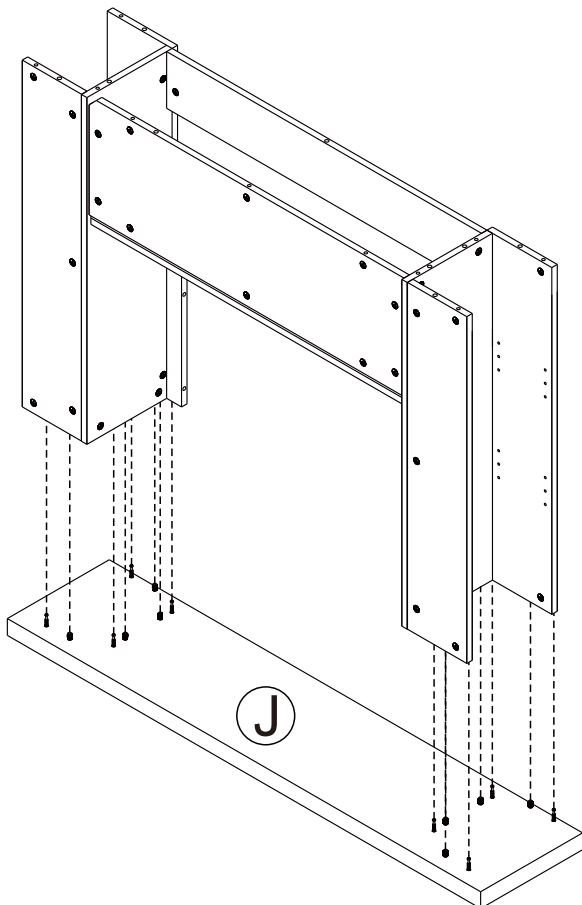
STEP 17



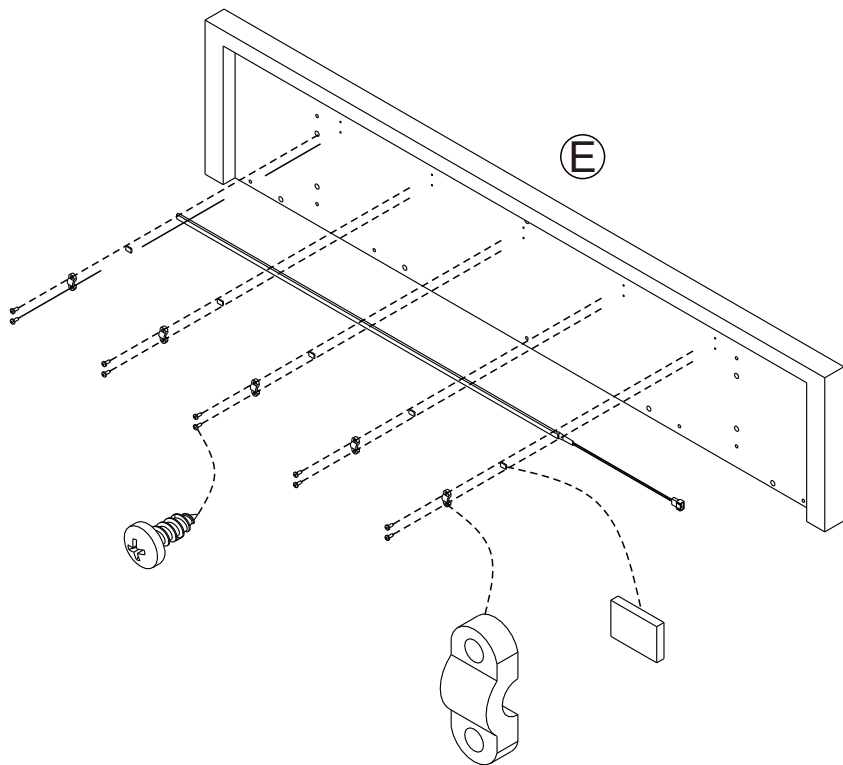
STEP 18



STEP 19

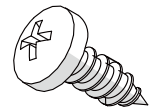
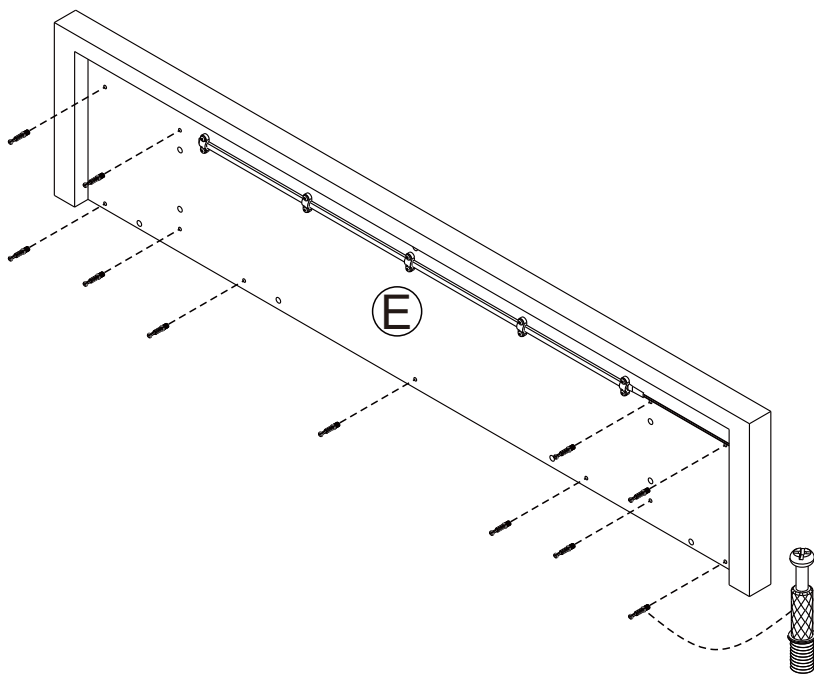


STEP 20



Uncover the paper on the foams and stick them on the moodlight strip, use the clamps and screws to fix them on the panel. Make sure the strip is fixed as above or it will influence the moodlight effect.

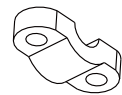
STEP 21



screw ST4x12 X10



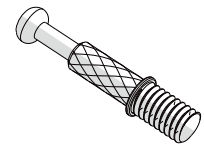
foam X5



clamp X5

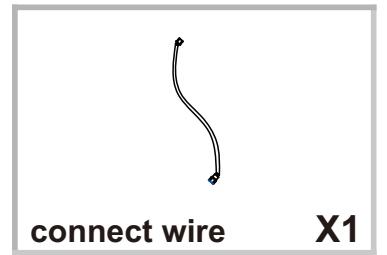
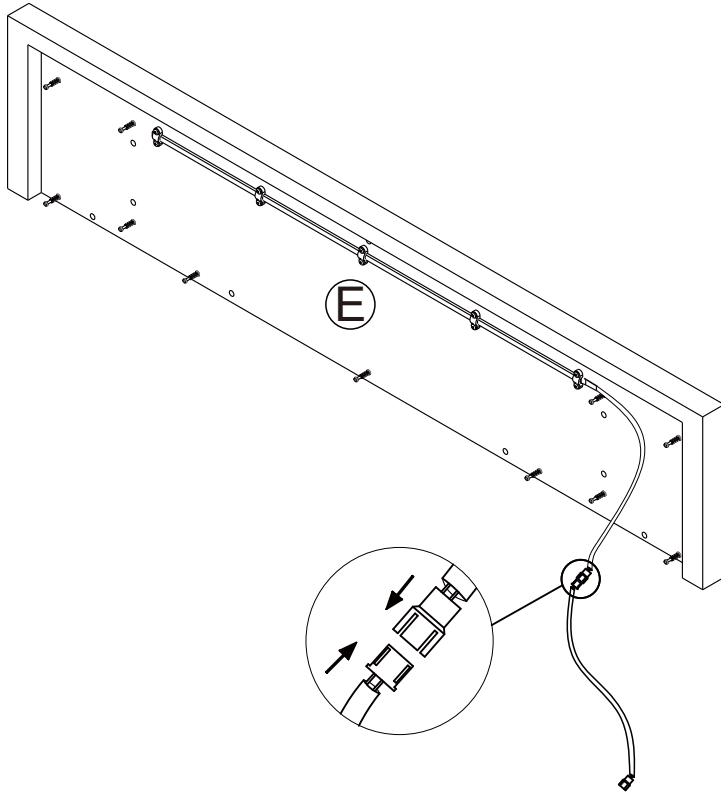


moodlight strip X1

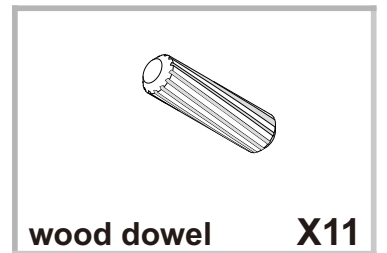
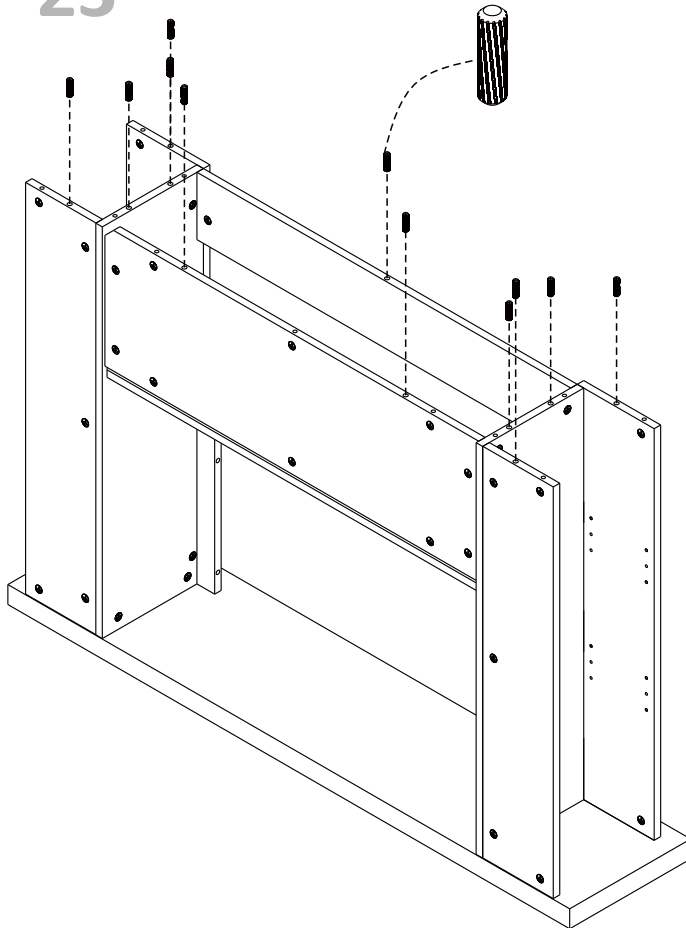


cam bolt X11

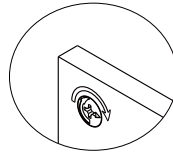
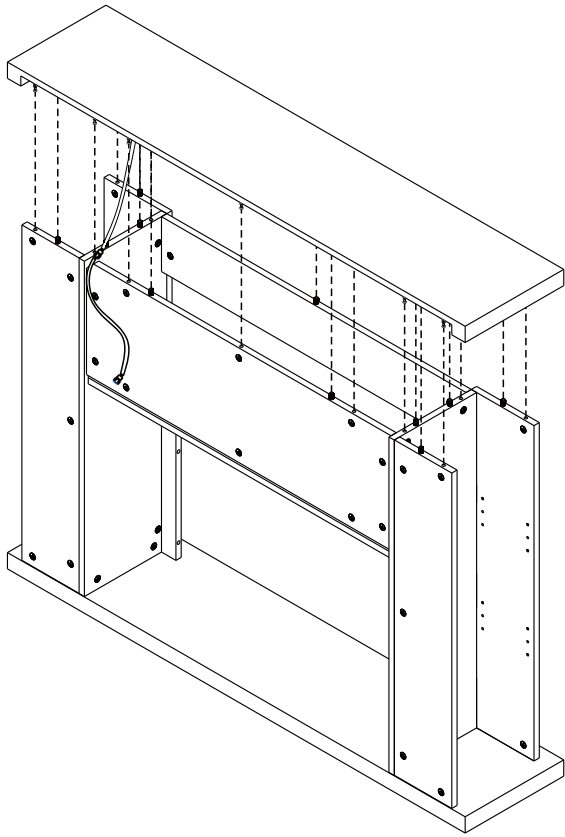
STEP 22



STEP 23

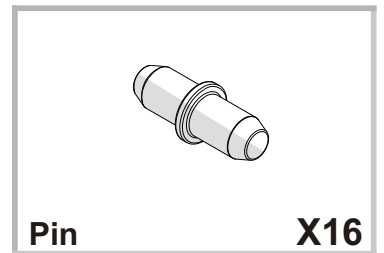
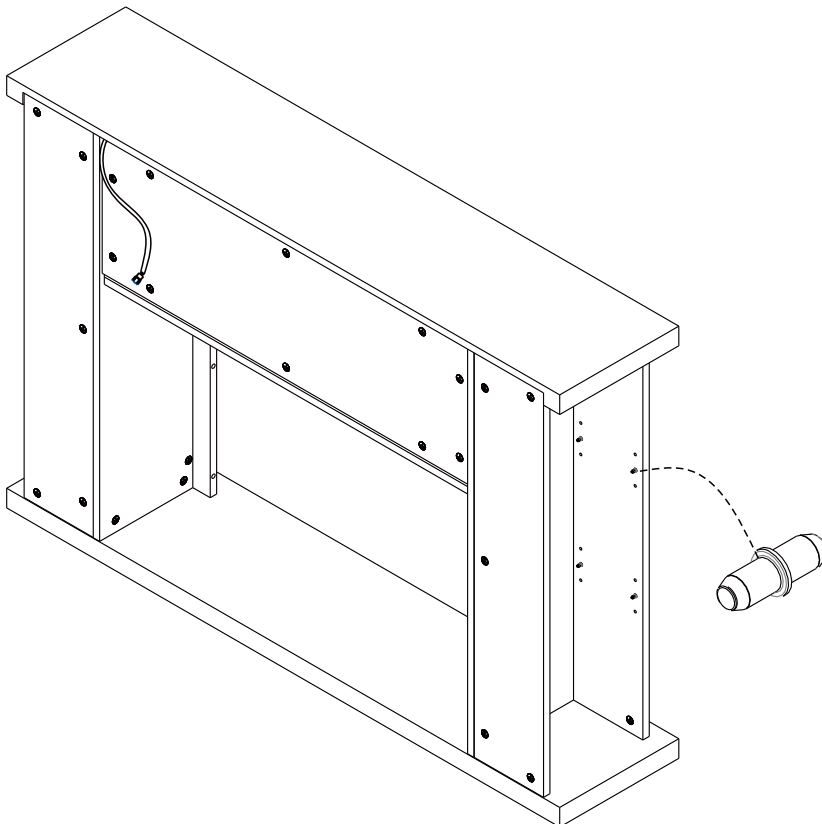


STEP 24



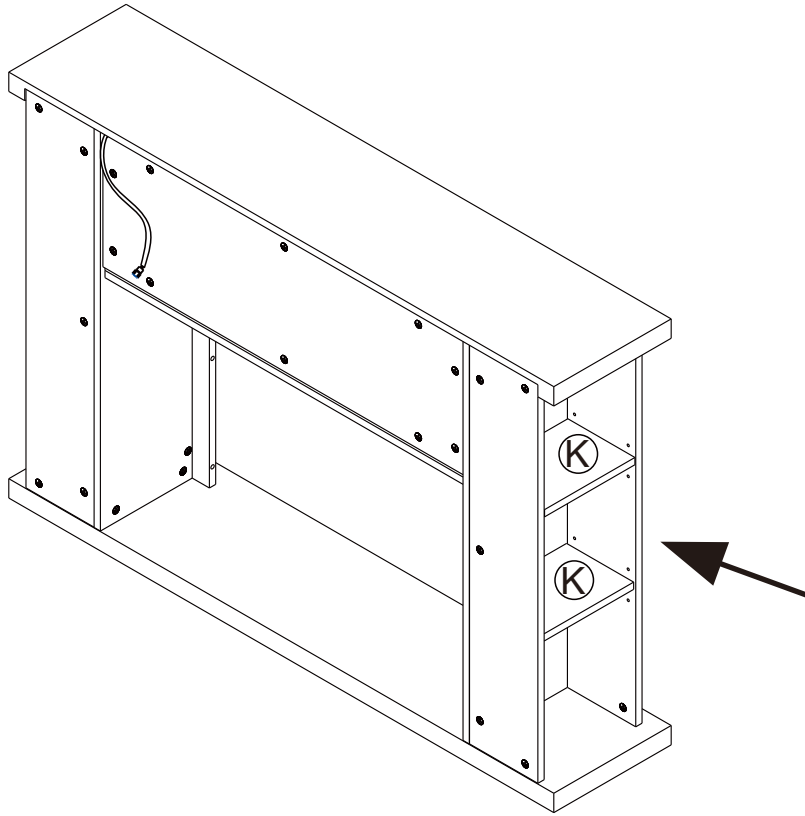
Arrange the connect wire into the slot.

STEP 25

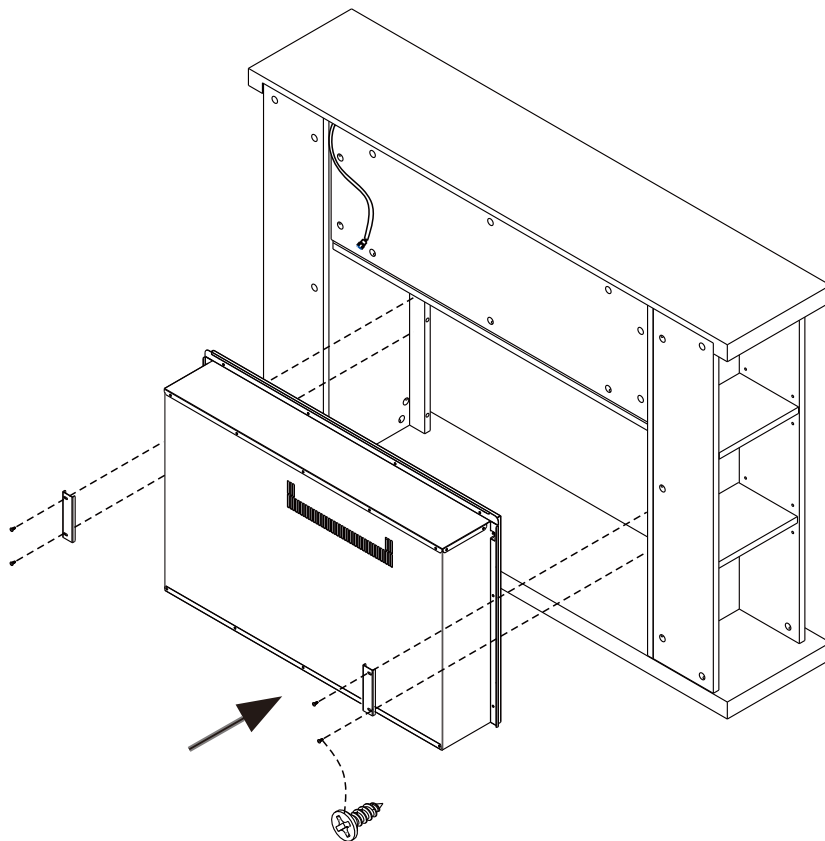


Many holes available for different height of the shelves.

STEP 26

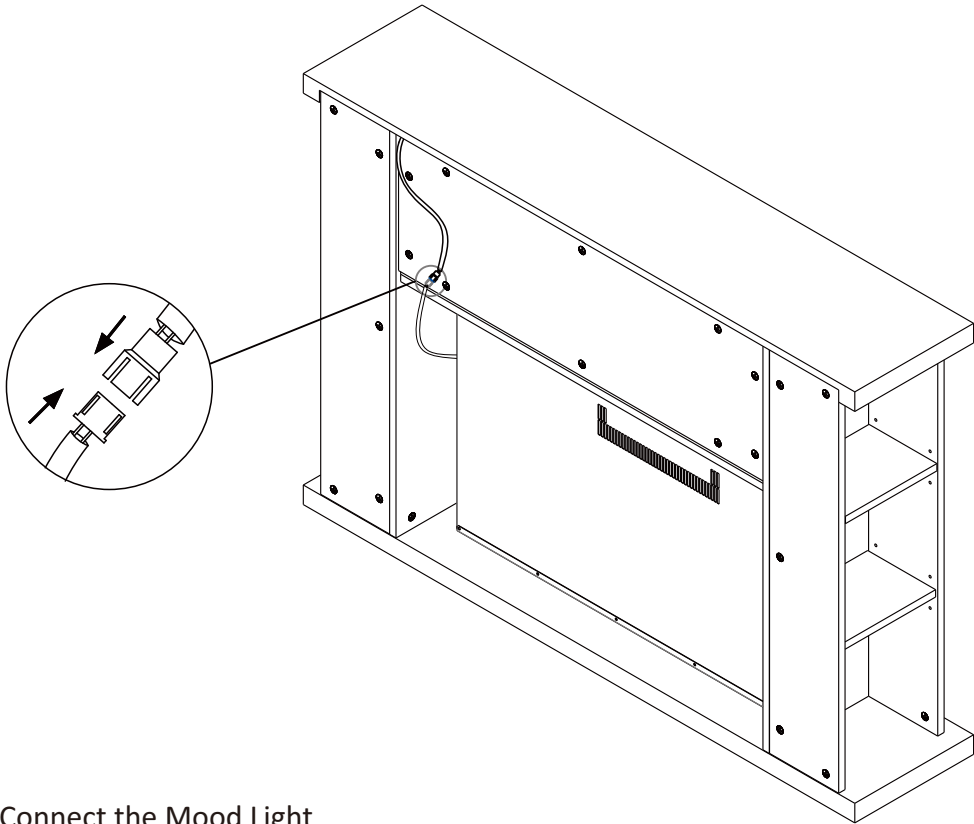


STEP 27



Use 4pcs ST3.5 × 12 screws

STEP 28



Connect the Mood Light

Legend Flame Group LLC
Address: 92 Corporate Park, Ste. C655 Irvine, CA 92606, United States
Tell: 949-385-6588
email: service5@fireandfireplaceservice.com