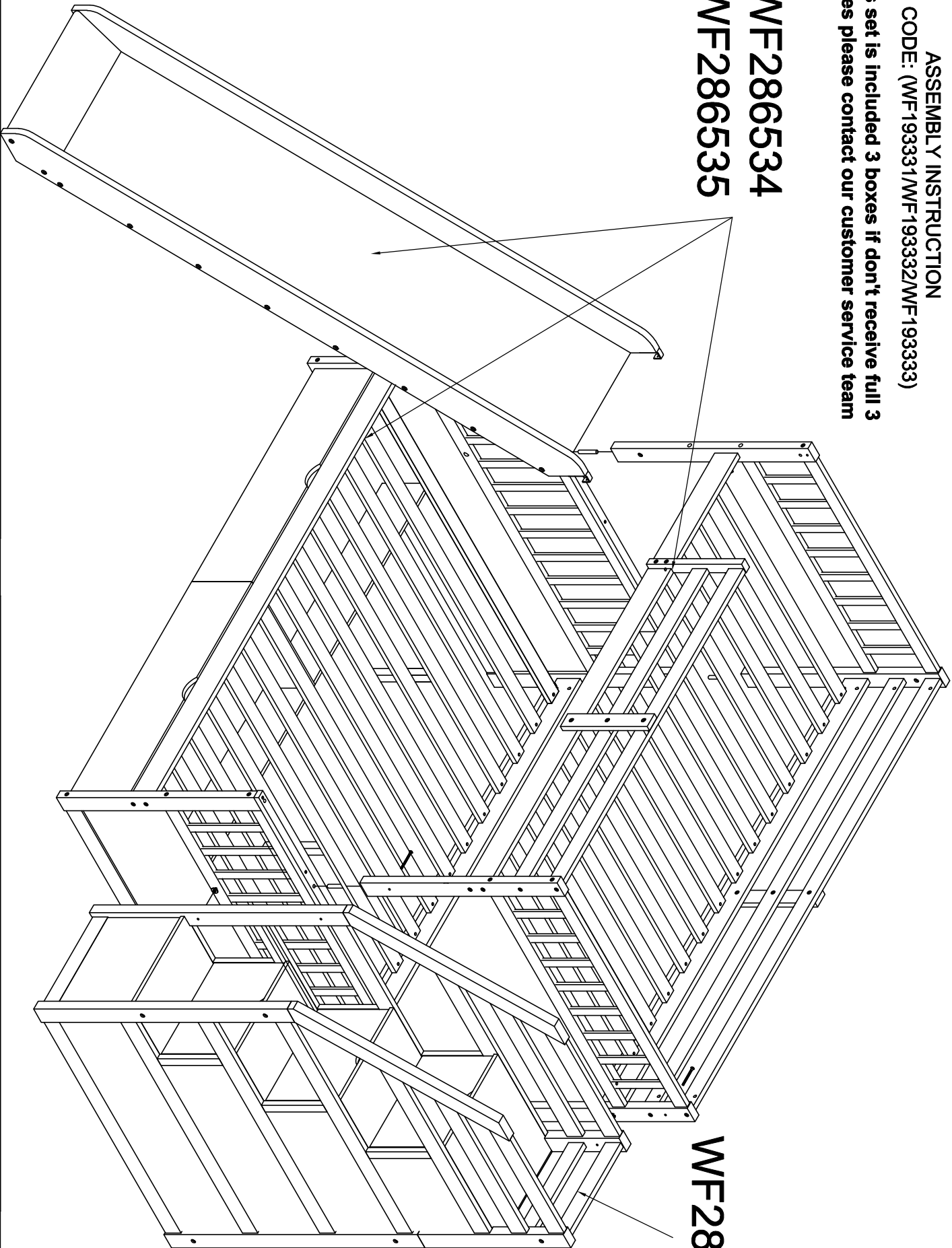


ASSEMBLY INSTRUCTION
SKU CODE: (WF193331/WF193332/WF193333)

This set is included 3 boxes if don't receive full 3 boxes please contact our customer service team

WF286534
WF286535

WF286533



! SAFETY WARNINGS !

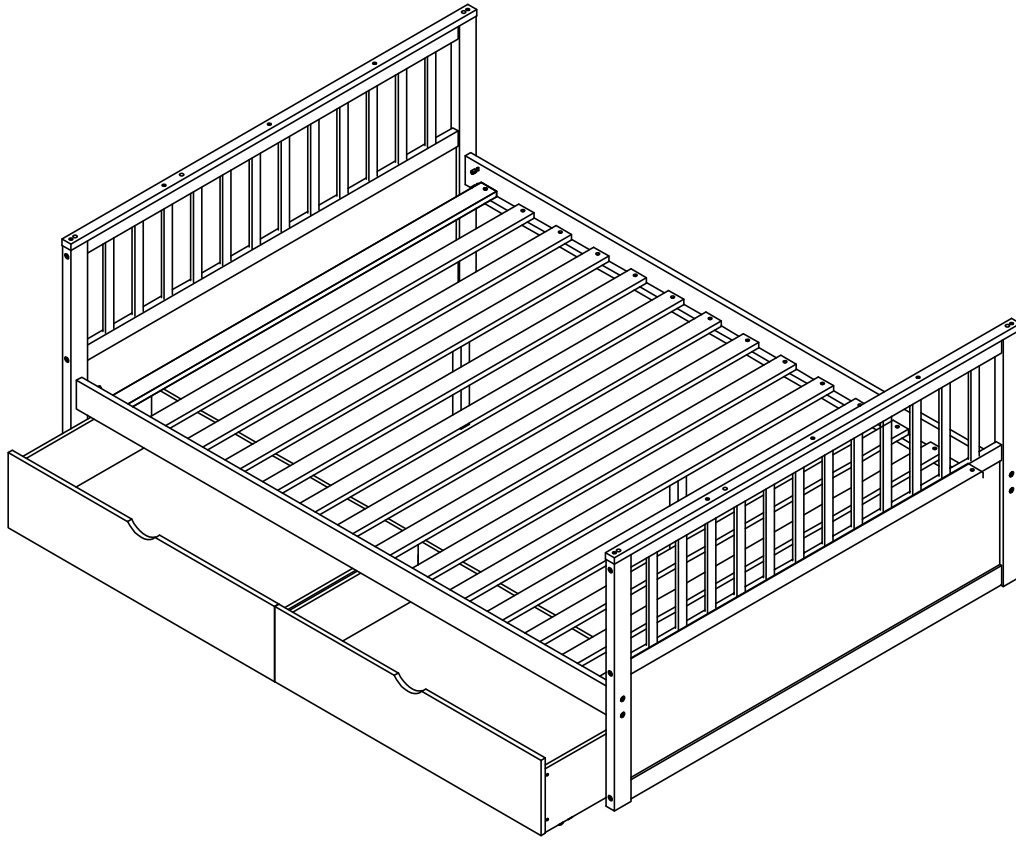
1. This bed is designed for use only mattress(es) meeting the following specifications on the upper bunk, and lower bunk:

Bed Type	Length	Width	Thickness
<i>Twin Standard</i>	<i>74" - 75"</i>	<i>38 1/2"</i>	<i>6" max</i>
<i>Full Standard</i>	<i>74" - 75"</i>	<i>53 1/2 "</i>	<i>6" max</i>

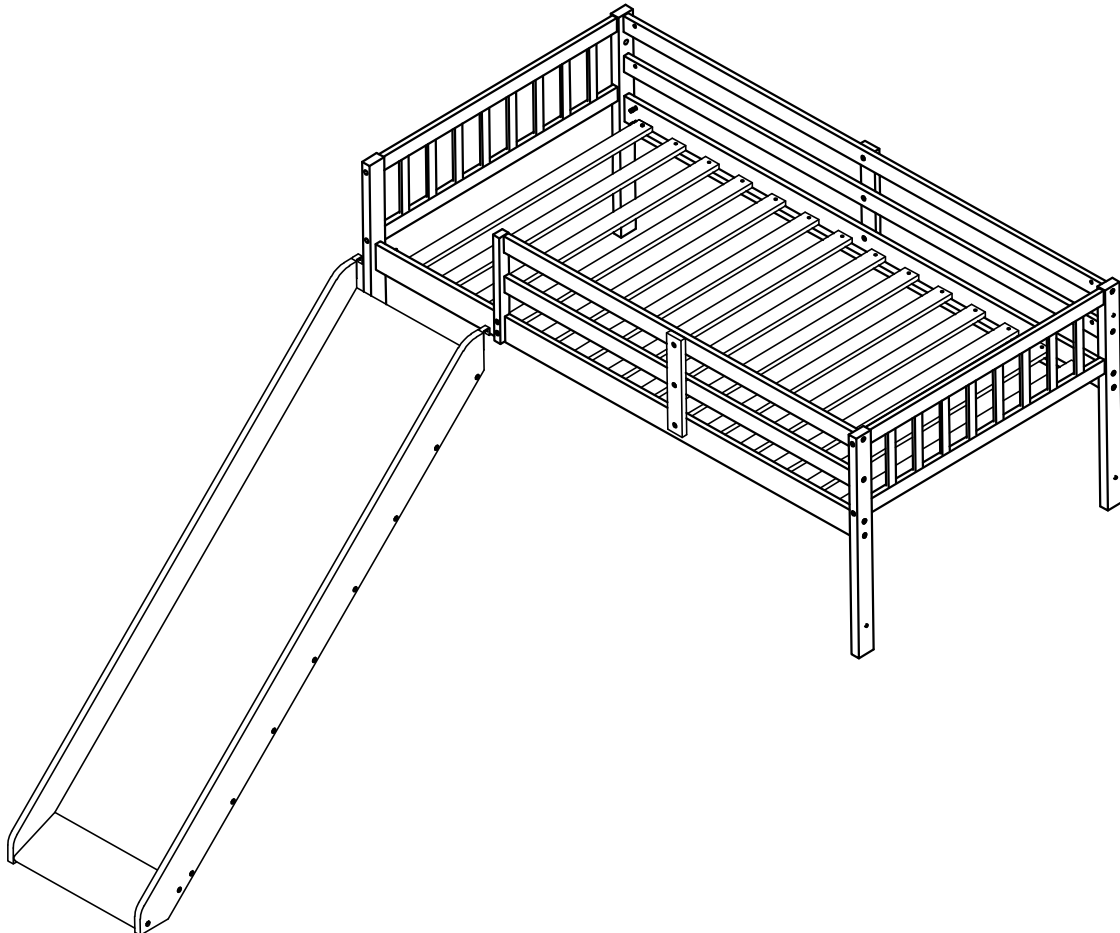
2. Replacement parts, including additional guardrails, may be obtained from any of our (COMPTREE. INC) dealers
3. Follow the information on the warnings appearing on the upper bunk bed end structure and on the carton. Do not remove warning label from bed.
4. Always use the recommended size mattresses or mattress supports, or both, to help prevent the likelihood of entrapment or falls.
5. Surface of the mattress must be at least 5 in. (127 mm) below the upper edge of guardrails.
6. Do not allow children under 6 years of age to use the upper bunk.
7. Periodically check and ensure that the guardrail, ladder, and other components are in their proper position, free from damage, and that all connectors are tight.
8. Do not allow horseplay on or under the bed and prohibit jumping on the bed
9. Always use the ladder for entering and leaving the upper bunk.
10. Do not use substitute parts. Contact the manufacturer or dealer for replacement parts.
11. Use of a night light may provided added safety precaution for a child using the upper bunk.
12. Always use guardrails on both long sides of the upper bunk. If the bunk bed will be placed next to the wall, the guardrail that runs the full length of the bed should be placed against the wall to prevent entrapment between the bed and wall.
13. The use of water or sleep flotation mattresses is prohibited.
14. **STRANGULATION HAZARD** – Never attach or hang items to any part of the bunk bed that are not designed for use with the bed; for example, but not limited to, hook, belts and jump ropes.
15. Keep these instructions for future reference

HOW TO COMPLETE YOUR SET

STEP 1: Complete Assembly Bottom Full Bed and 2 Drawers.

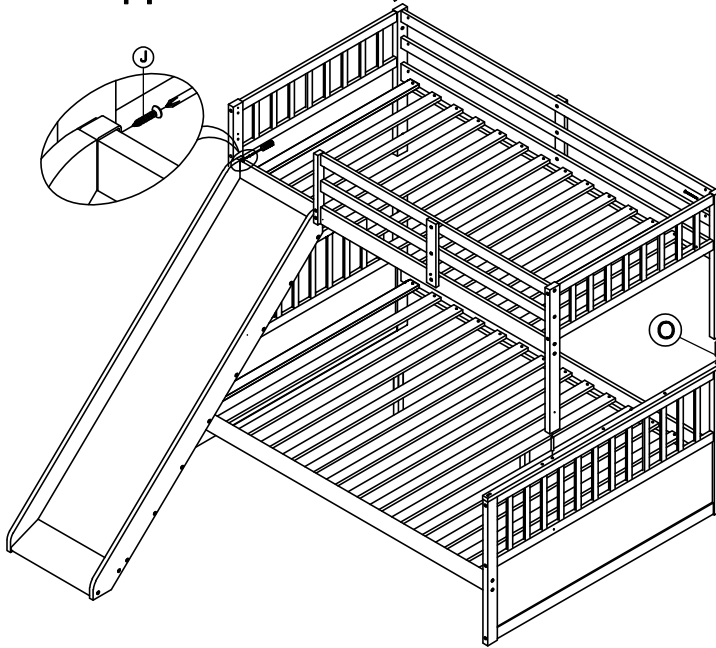
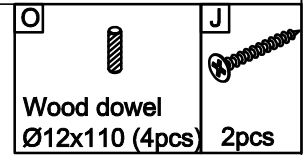


STEP 2: Complete Assembly Upper Twin Bed and Slider

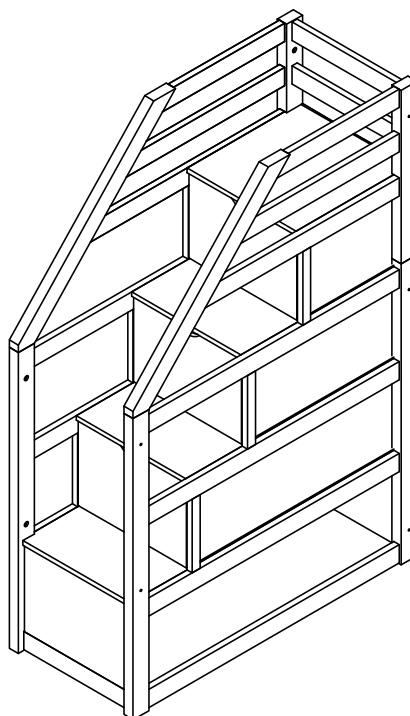


HOW TO COMPLETE YOUR SET



STEP 3: Put Upper Twin bed on top of Full Bed, use wood dowel (Hardware part O) to connect 2 beds.
Hook the Slider on Upper Twin Bed, use screw J



STEP 4: Complete Assembly Storage Stair Case (box WF193331)



STEP 4: Use Hardware part **7** (inside box WF-193331) and Plastic Disk **J** (inside box WF-193333) to connect Storage Staircase to Left or Right side of Burdbed

J 	7 
1PC WF-193333	5PCS WF-193331

Right Side

The Staircase can be use on both left or right side, please follow below instruction to assembly either right or left side

Left Sight

