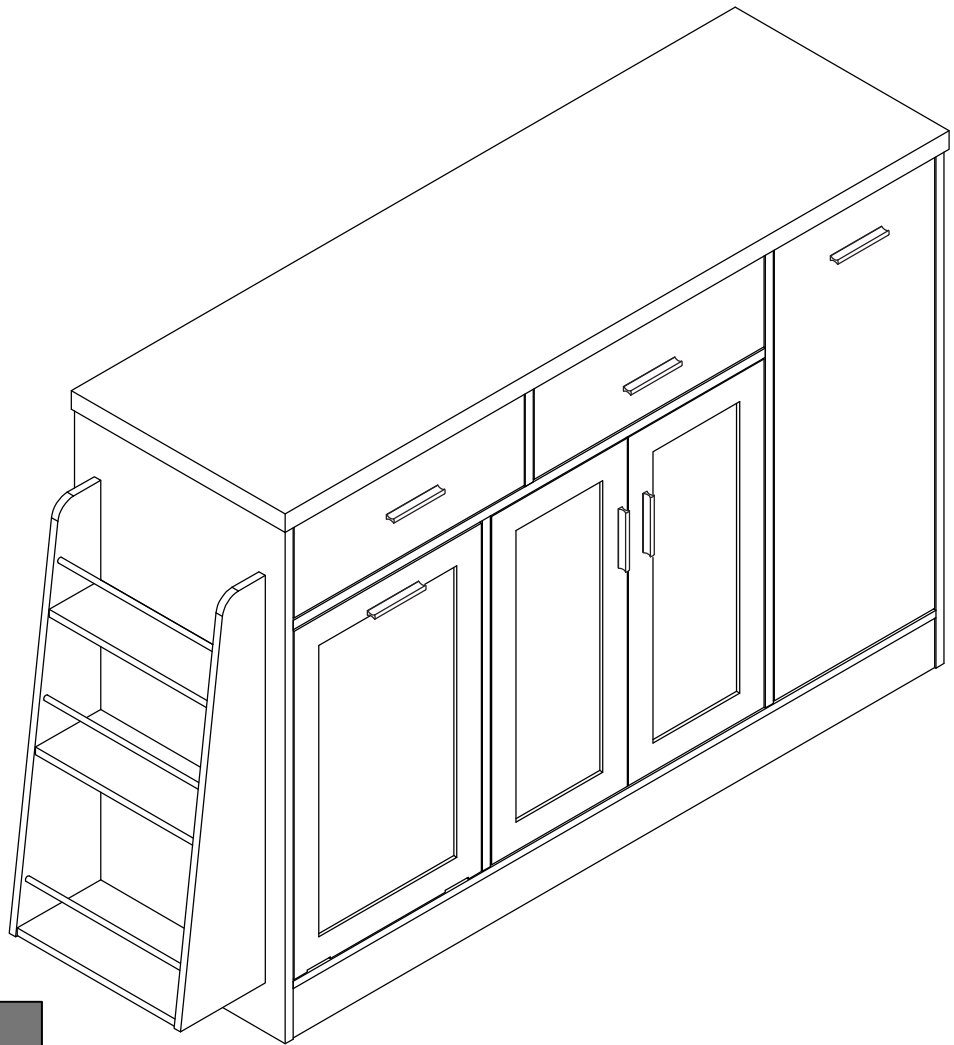


SIDEBOARD

Assembly Instructions - Please keep for future reference



Dimensions

Width-48.64inch

Depth-15.40inch

Height-33.32inch

Important – Please read these instructions fully before starting assembly



Safety and Care Advice

Important – Please read these instructions fully before starting assembly

- Check you have all the components and tools listed on the following pages.

- Remove all fittings from the plastic bags and separate them into their groups.

- Keep children and animals away from the work area, small parts could choke if swallowed.

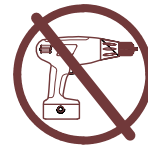
- Make sure you have enough space to layout the parts before starting.

- During assembly do not stand or put weight on the product, this could cause damage.

- Assemble the item as close to its final position (in the same room) as possible.

- Assemble on a soft level surface to avoid damaging the unit or your floor.

- Parts of the assembly will be easier with 3 people.



power drill is set on a low torque setting.

- To reduce the likelihood of damaging your product please ensure that your

Care and maintenance

- Only clean using a damp cloth and mild detergent, do not use bleach or abrasive cleaners.

- From time to time check that there are no loose screws on this unit.

- This product should not be discarded with household waste. Take to your local authority waste disposal centre.

Handy Hints

- Assemble all parts and bolts loosely during assembly, only once the product is complete should you fully tighten the bolts

- Regularly check and ensure that all bolts and fittings are correctly tightened.

WARNING
In order to help prevent overturning – please follow these instructions




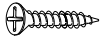

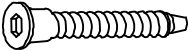
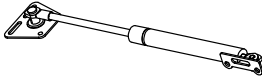
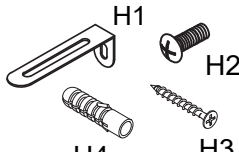
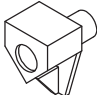
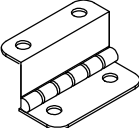
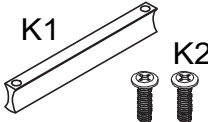
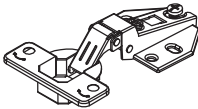
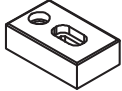

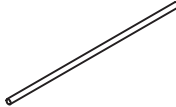

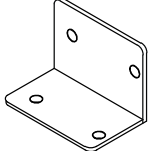
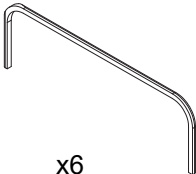
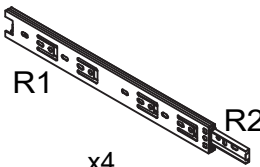
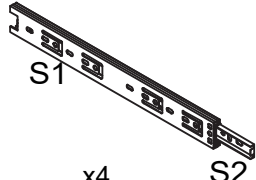

To help prevent product toppling over please follow the below steps:-

Use the anti tip stap or wall fixing method provided (if applicable)
Do not allow children to climb or hang on the furniture
Do not open more than one drawer at a time
Do not place heavy items in the top drawers
Do not place heavy items on top of the furniture, unless the furniture has been designed for this purpose

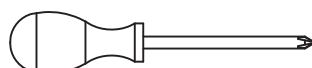
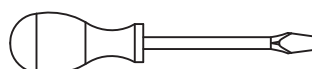
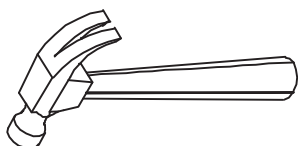
Components - Fittings

Please check you have all the panels listed below

Note: The quantities below are the correct amount to complete the assembly. In some cases more fittings may be supplied than are required.

<p>A</p>  <p>15*12mm Cam lock x86+2</p>	<p>B</p>  <p>15*9.5mm Cam lock x86+2</p>	<p>C</p>  <p>6x40mm Dowel x 26</p>	<p>D</p>  <p>3x16mm Screw x 12</p>
<p>E</p>  <p>3x12mm Screw x 102+2</p>	<p>F</p>  <p>7x40mm Screw x 28+2</p>	<p>G</p>  <p>x2</p>	<p>H</p>  <p>x2 H1 H2 H3 H4</p>
<p>I</p>  <p>x4</p>	<p>J</p>  <p>x2</p>	<p>K</p>  <p>x6 K1 K2</p>	<p>L</p>  <p>x4</p>
<p>M</p>  <p>x2</p>	<p>N</p>  <p>3x33mm Screw x 8</p>	<p>O</p>  <p>x3</p>	<p>P</p>  <p>x8</p>
<p>Y</p>  <p>x2</p>	<p>Q</p>  <p>x6</p>	<p>R</p>  <p>x4 R1 R2</p>	<p>S</p>  <p>x4 S1 S2</p>
<p>X</p>  <p>x1</p>			

Tools required Not Included

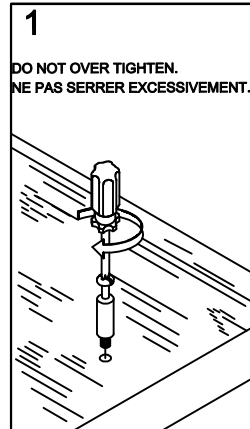


Phillips screwdriver
(medium & large)

Using Camlocks

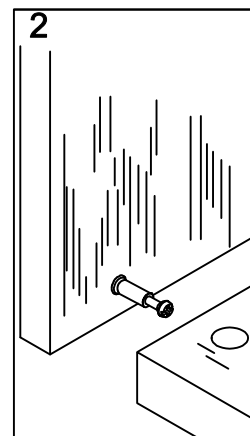
Step 1

Connect the male camlock as directed in the assembly instructions using a screwdriver.



Step 2

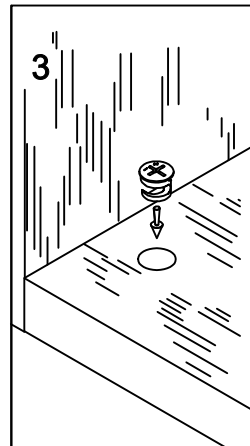
Push the male camlock into the entry hole.



Step 3

Insert the female camlock as shown in the instruction.

Note: ensure that the arrow on the top of the camlock points towards the entry hole for the male camlock.

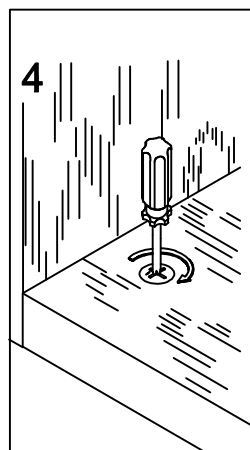


Step 4

Turn the female camlock clockwise with a screwdriver.

You should feel a click when the camlock is locked in place.

The joint is now secure.

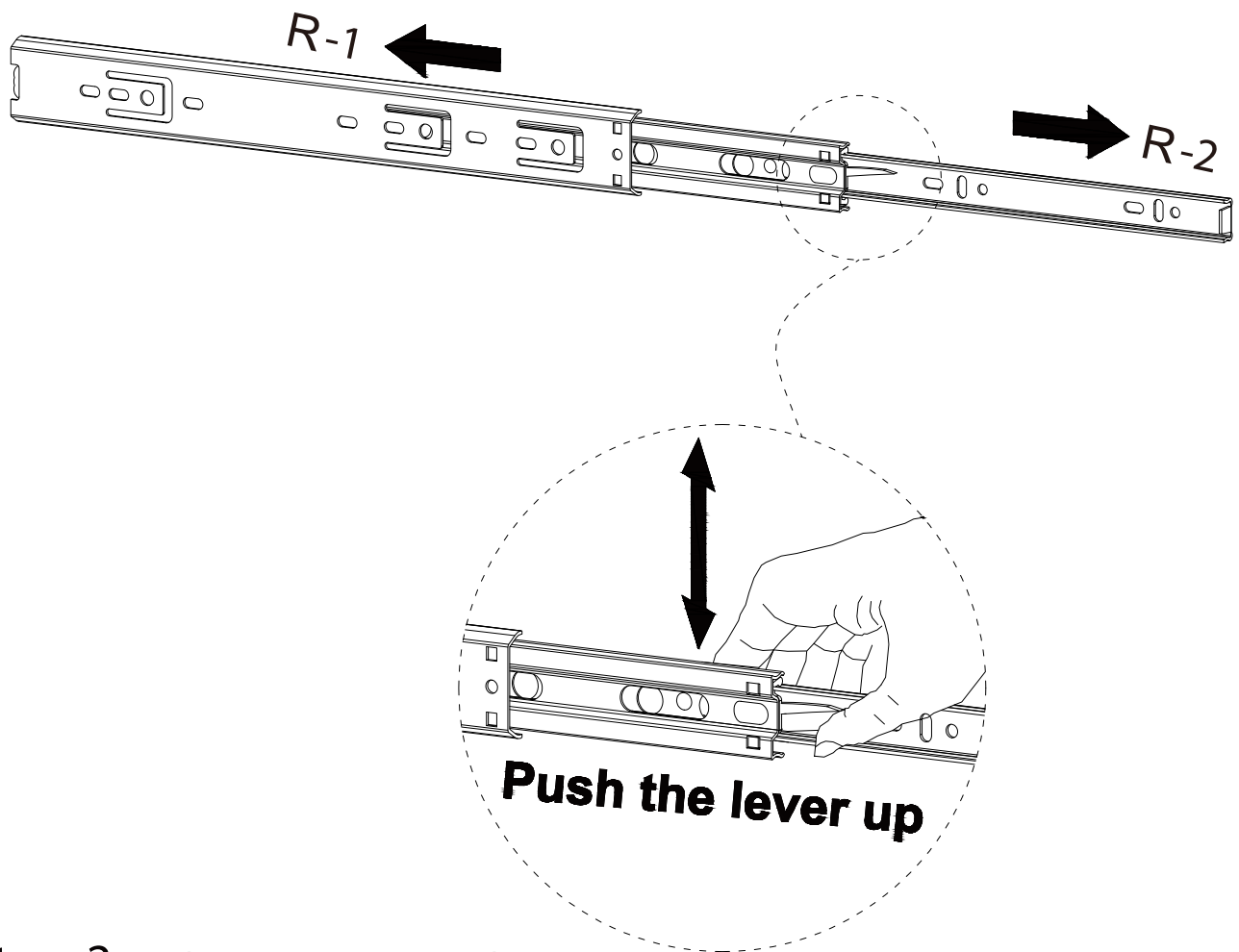


SLIDE RAIL

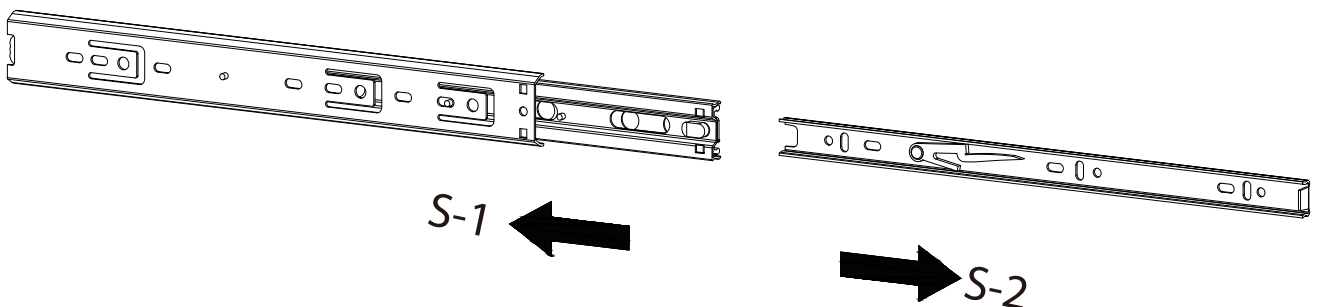
Please split component "Minto "M1" and "K-2" before assembling the slide and then proceed to the next step of assembly

Step 1

Pull apart component "M to each side, and then gently push up the lever of component "M2"



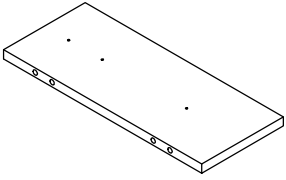
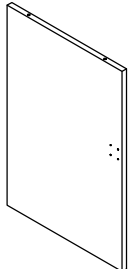
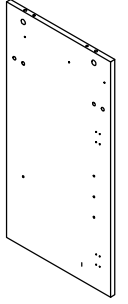
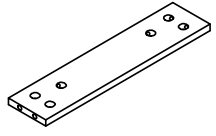
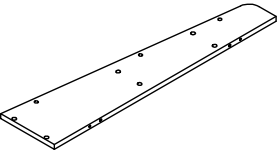
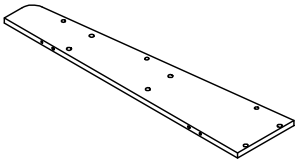
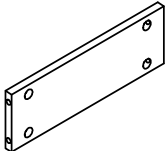
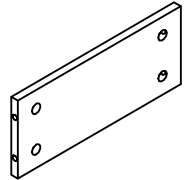
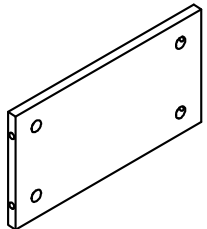
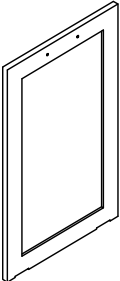
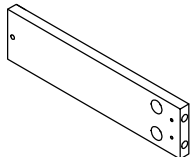
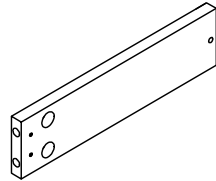
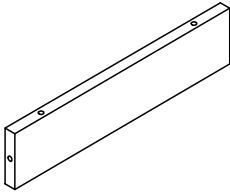
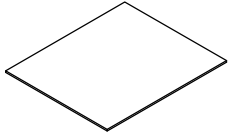
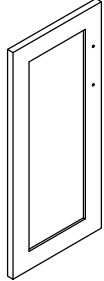
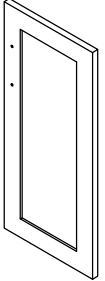
Step 2 Split component "N1" and "N2"



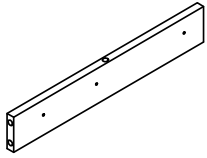
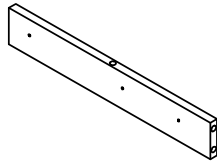
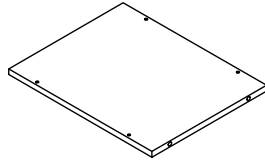
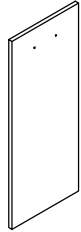
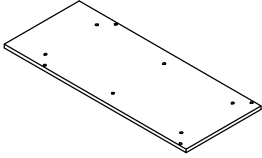
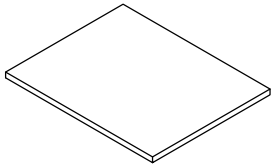
Components - Parts

Please check you have all the panels listed below.

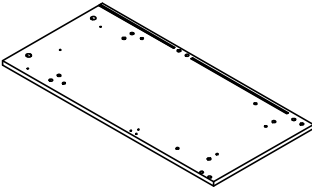
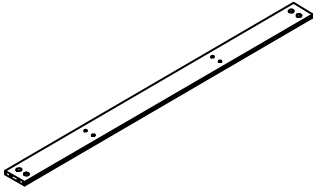
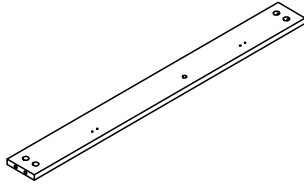
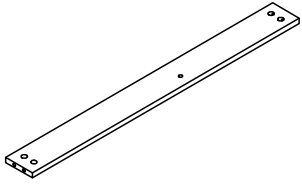
BOX A

<p>⑤</p> 	<p>⑥</p> 	<p>⑦</p> 	<p>⑪</p> 
<p>376x155x15 mm x1pc</p>	<p>568x376x15 mm x1pc</p>	<p>736x376x15 mm x1pc</p>	<p>352x80x12 mm x1pc</p>
<p>⑮</p> 	<p>⑯</p> 	<p>⑰</p> 	<p>⑱</p> 
<p>660x159x12 mm x1pc</p>	<p>660x159x12 mm x1pc</p>	<p>296x96x12 mm x1pc</p>	<p>296x122x12 mm x1pc</p>
<p>⑲</p> 	<p>⑳</p> 	<p>㉑</p> 	<p>㉒</p> 
<p>296x156x12 mm x1pc</p>	<p>564x350x15 mm x1pc</p>	<p>240x60x12 mm x1pc</p>	<p>240x60x12 mm x1pc</p>
<p>㉓</p> 	<p>㉔</p> 	<p>㉕</p> 	<p>㉖</p> 
<p>270x60x12 mm x1pc</p>	<p>392x334x4 mm x2pc</p>	<p>564x254x15 mm x1pc</p>	<p>564x254x15 mm x1pc</p>

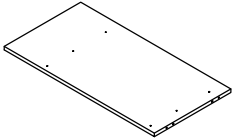
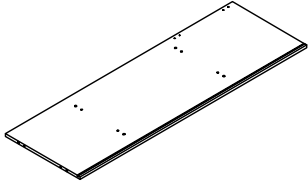
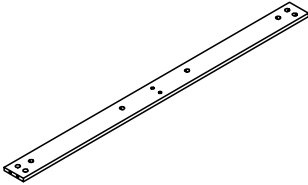
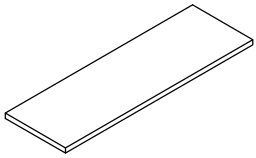
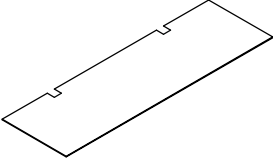
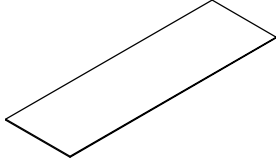
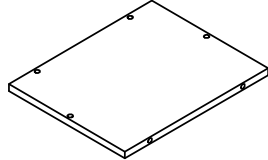
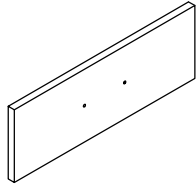
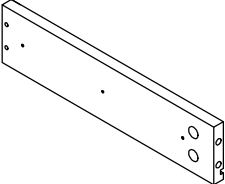
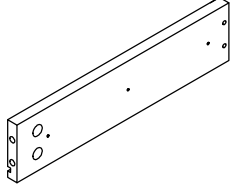
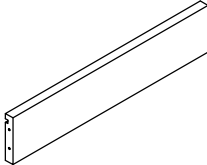
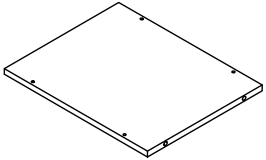
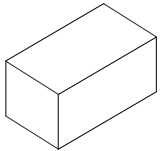
Components - Parts

<p>③②</p> 	<p>③③</p> 	<p>③⑤</p> 	<p>③⑥</p> 
<p>350x56x12 mm x2pc</p>	<p>350x56x12 mm x2pc</p>	<p>350x280x12 mm x1pc</p>	<p>733x300x15 mm x1pc</p>
<p>③⑦</p> 	<p>③⑧</p> 		
<p>680x280x12 mm x1pc</p>	<p>512x340x12 mm x1pc</p>		

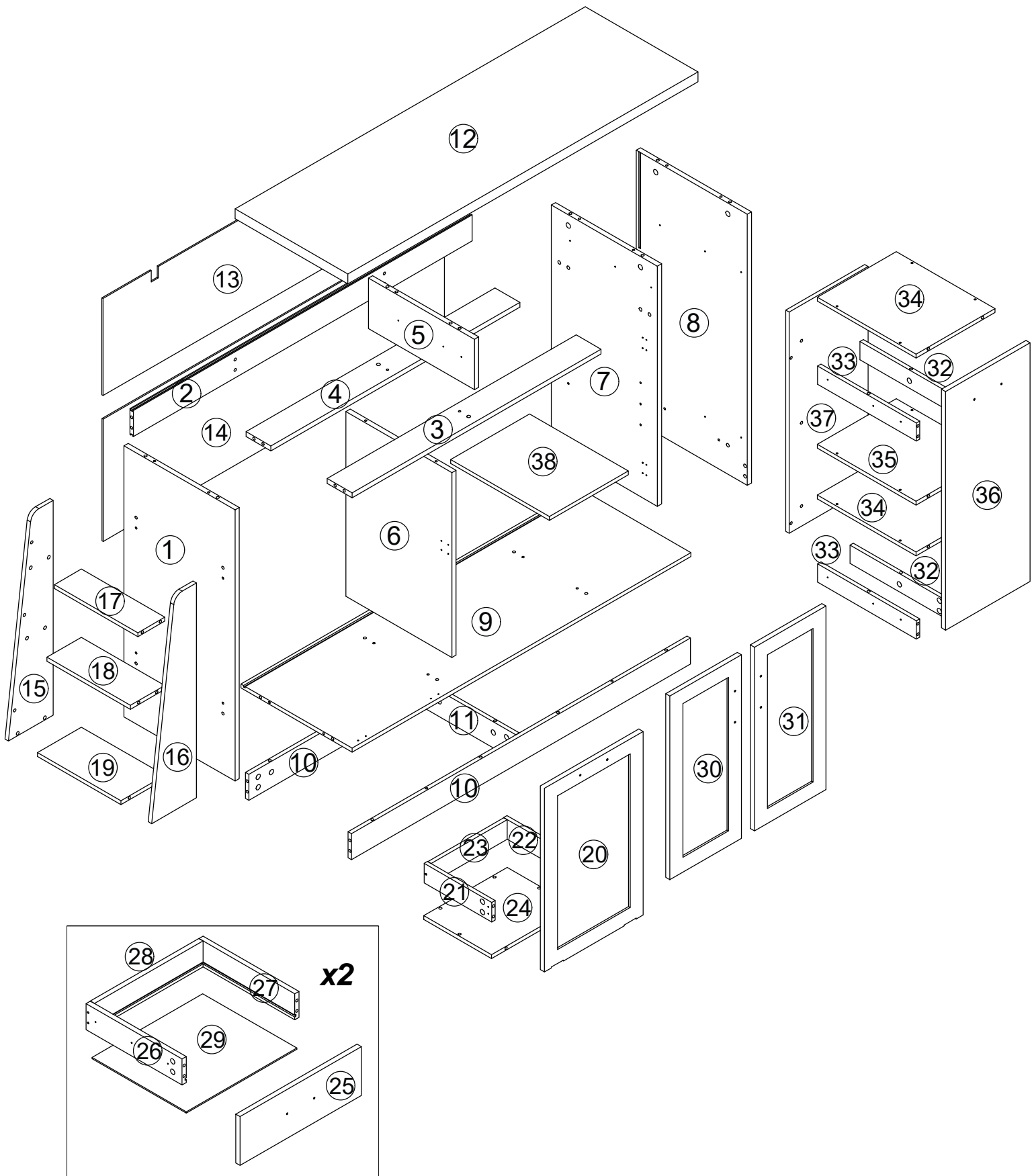
BOX B

<p>①</p> 	<p>②</p> 	<p>③</p> 	<p>④</p> 
<p>833x394x15 mm x1pc</p>	<p>1202x80x12 mm x1pc</p>	<p>883x88x15 mm x1pc</p>	<p>883x88x15 mm x1pc</p>

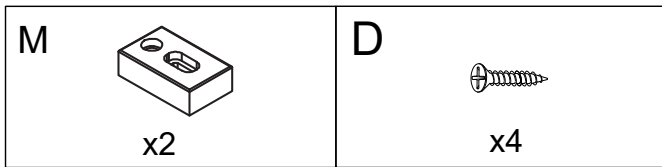
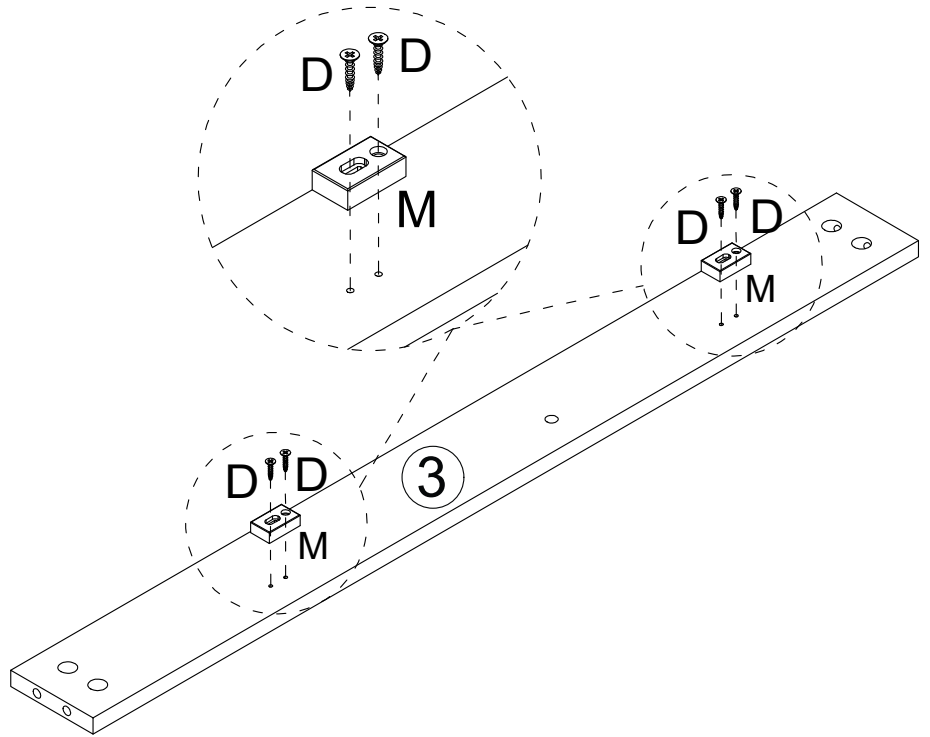
Components - Parts

<p>⑧</p> 	<p>⑨</p> 	<p>⑩</p> 	<p>⑫</p> 
<p>833x394x15 mm x1pc</p>	<p>1202x394x12 mm x1pc</p>	<p>1202x80x12 mm x2pc</p>	<p>1242x400x30 mm x1pc</p>
<p>⑬</p> 	<p>⑭</p> 	<p>⑳</p> 	<p>㉕</p> 
<p>1210x298x4 mm x1pc</p>	<p>1210x373x4 mm x1pc</p>	<p>296x240x12 mm x1pc</p>	<p>430x150x15 mm x2pc</p>
<p>㉖</p> 	<p>㉗</p> 	<p>㉘</p> 	<p>㉛</p> 
<p>340x80x12 mm x2pc</p>	<p>340x80x12 mm x2pc</p>	<p>385x80x12 mm x2pc</p>	<p>350x280x12 mm x2pc</p>
 <p>Hardware kid x1</p>			

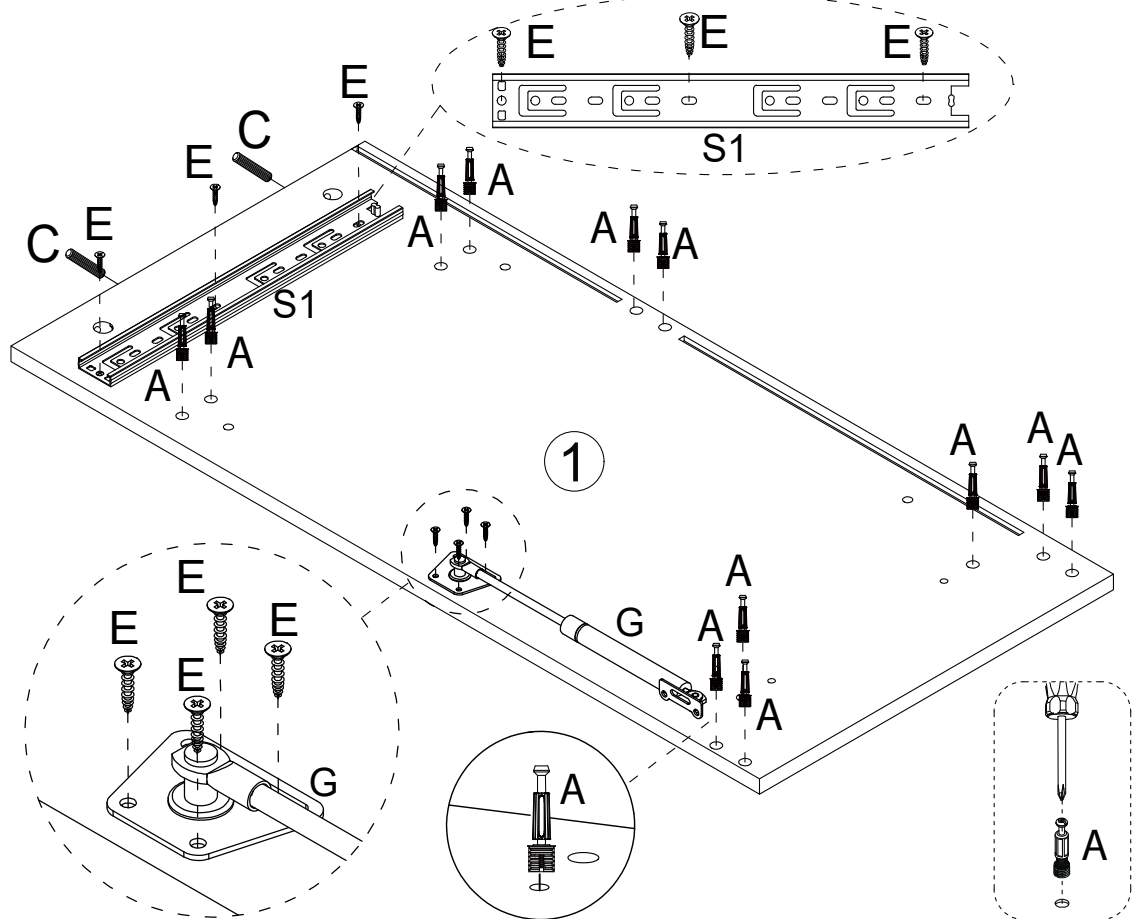
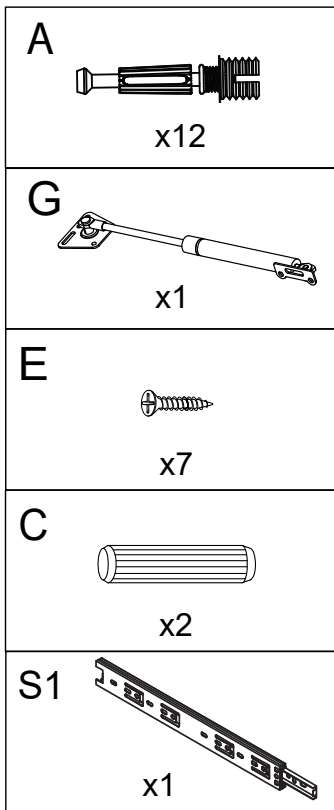
Assembly Instructions



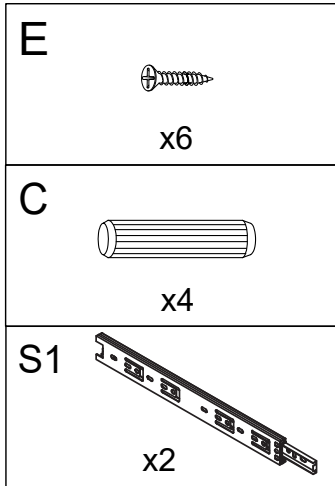
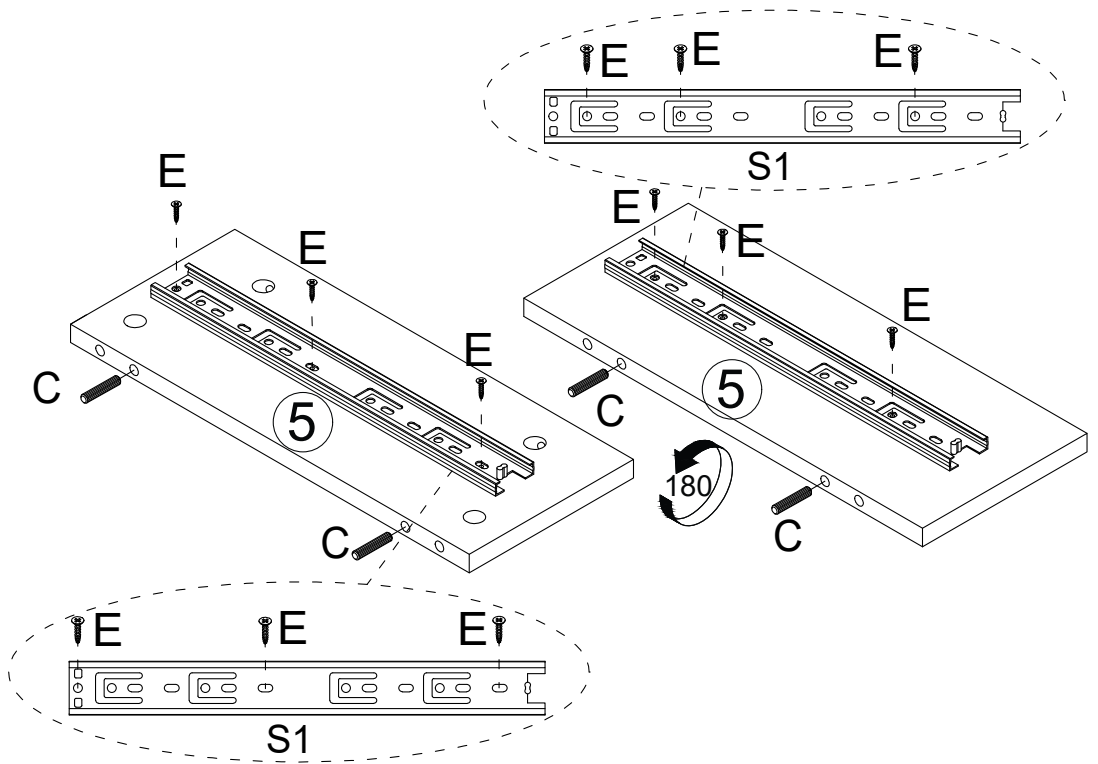
STEP 1



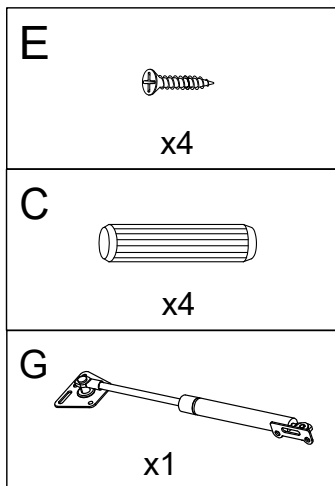
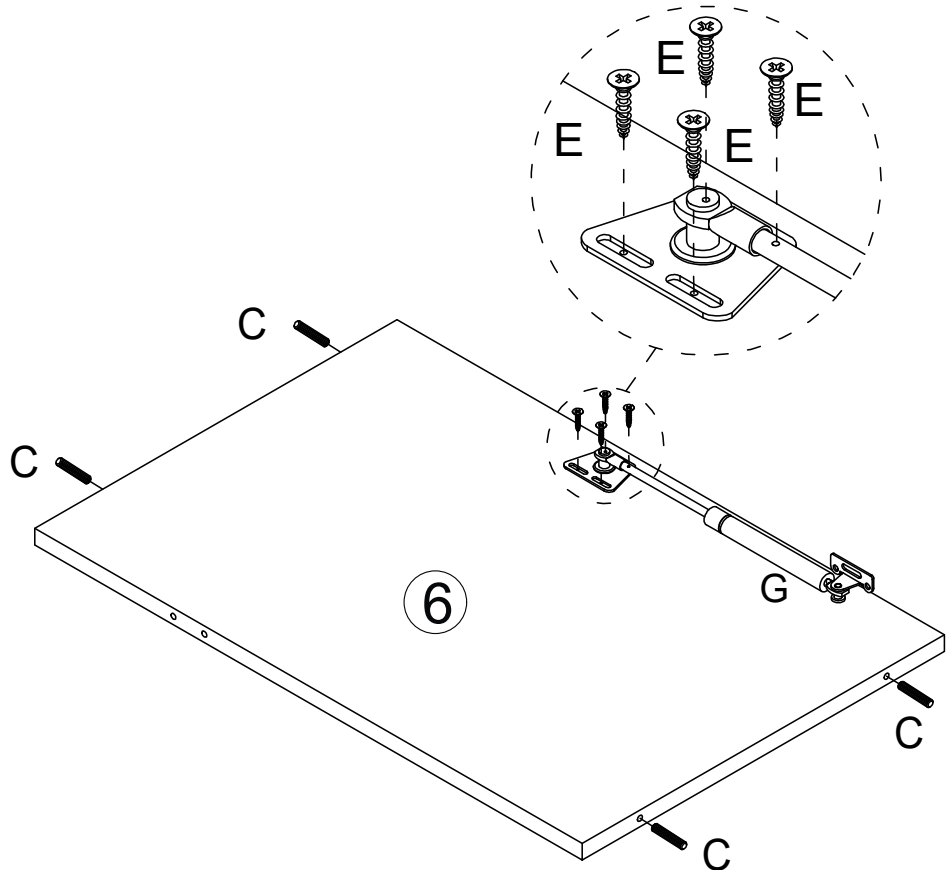
STEP 2



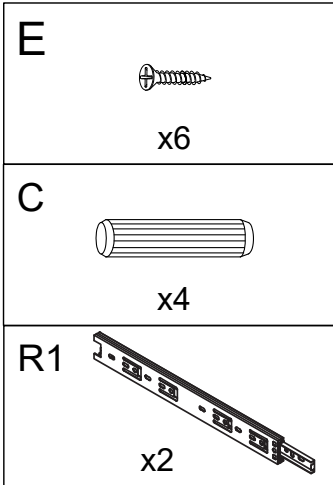
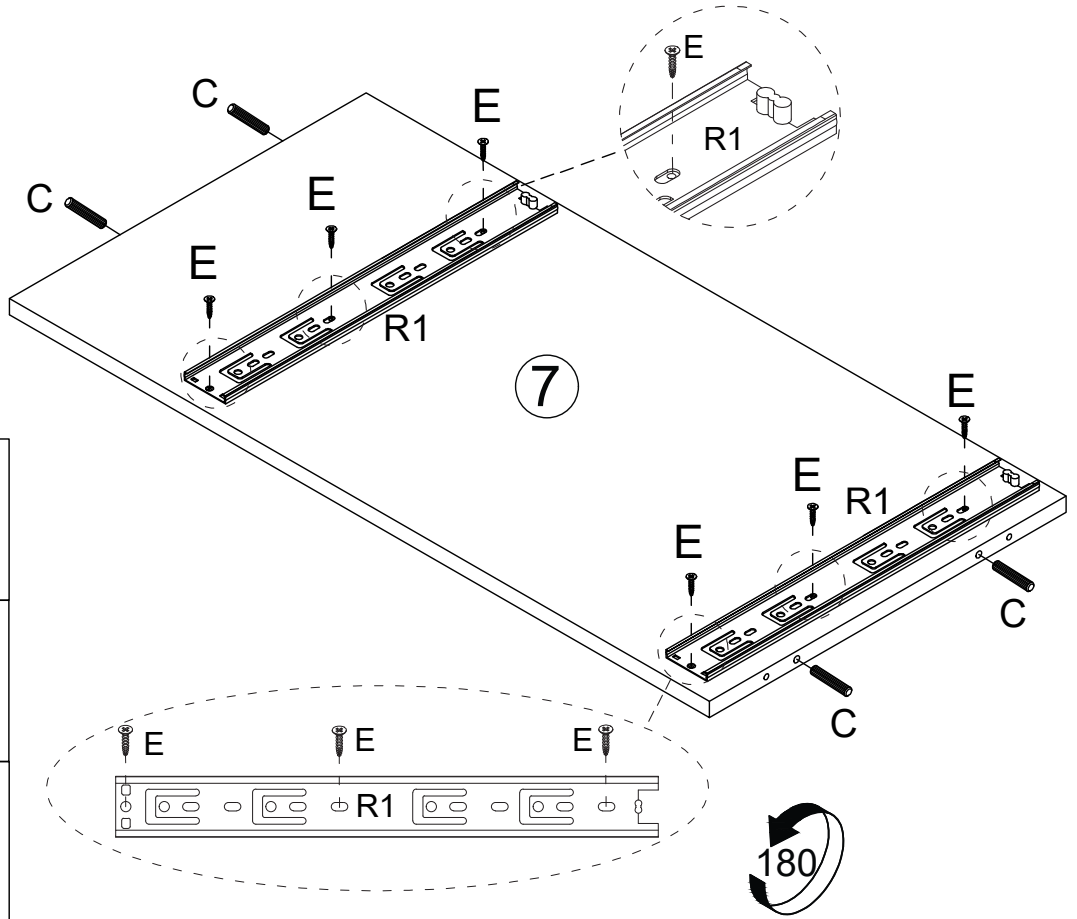
STEP 3



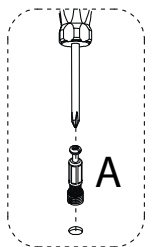
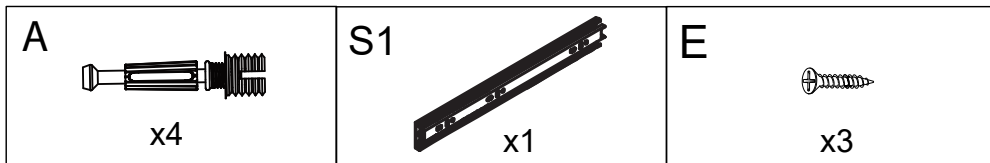
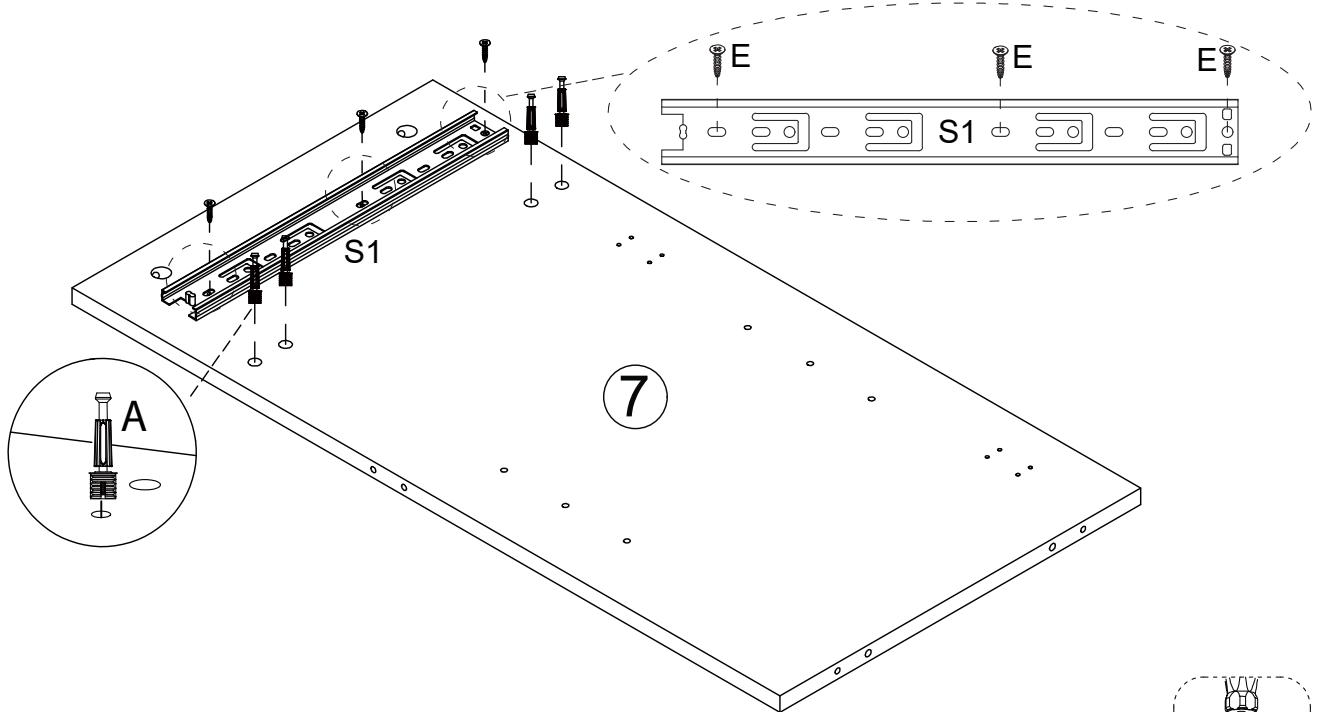
STEP 4



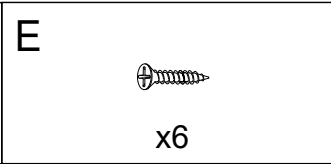
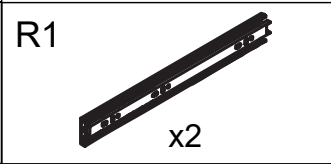
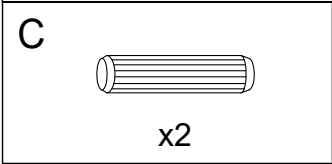
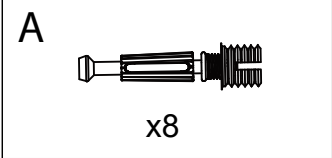
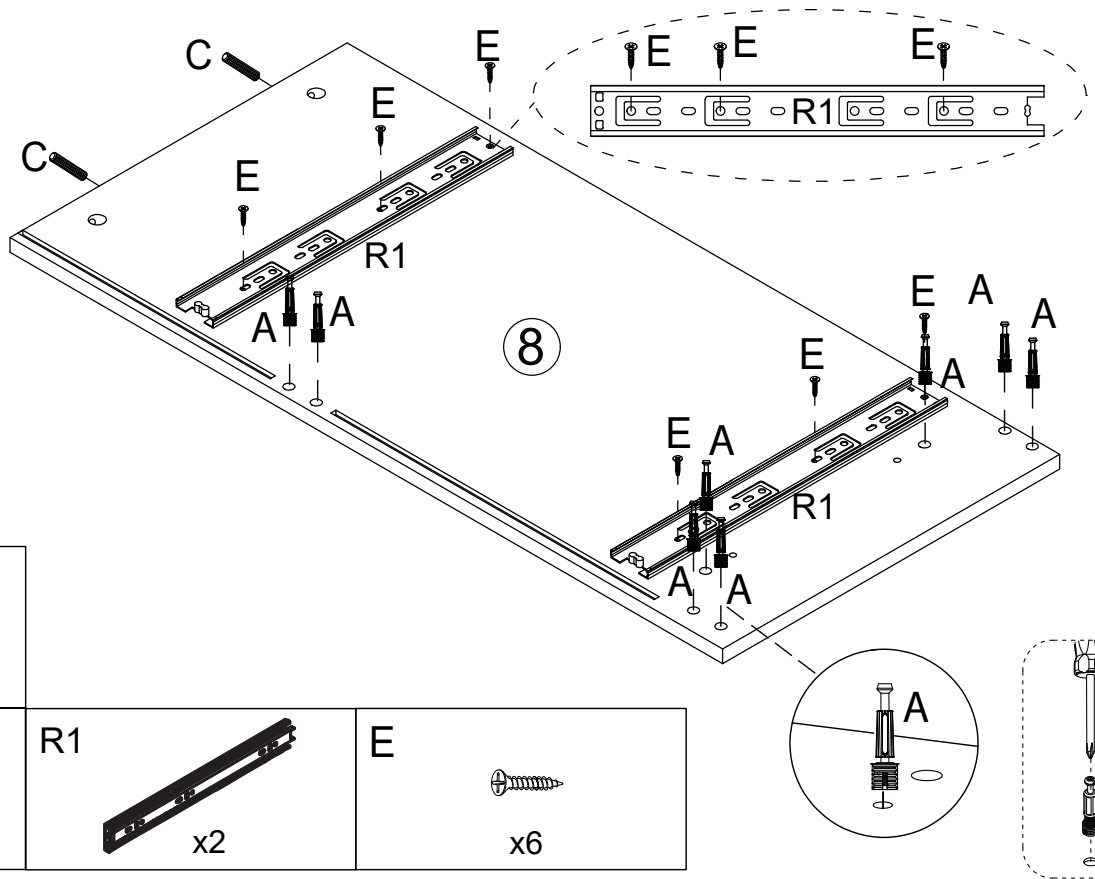
STEP 5



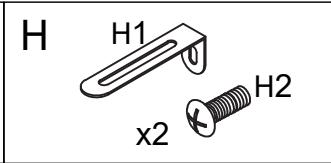
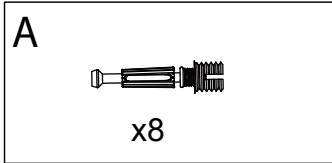
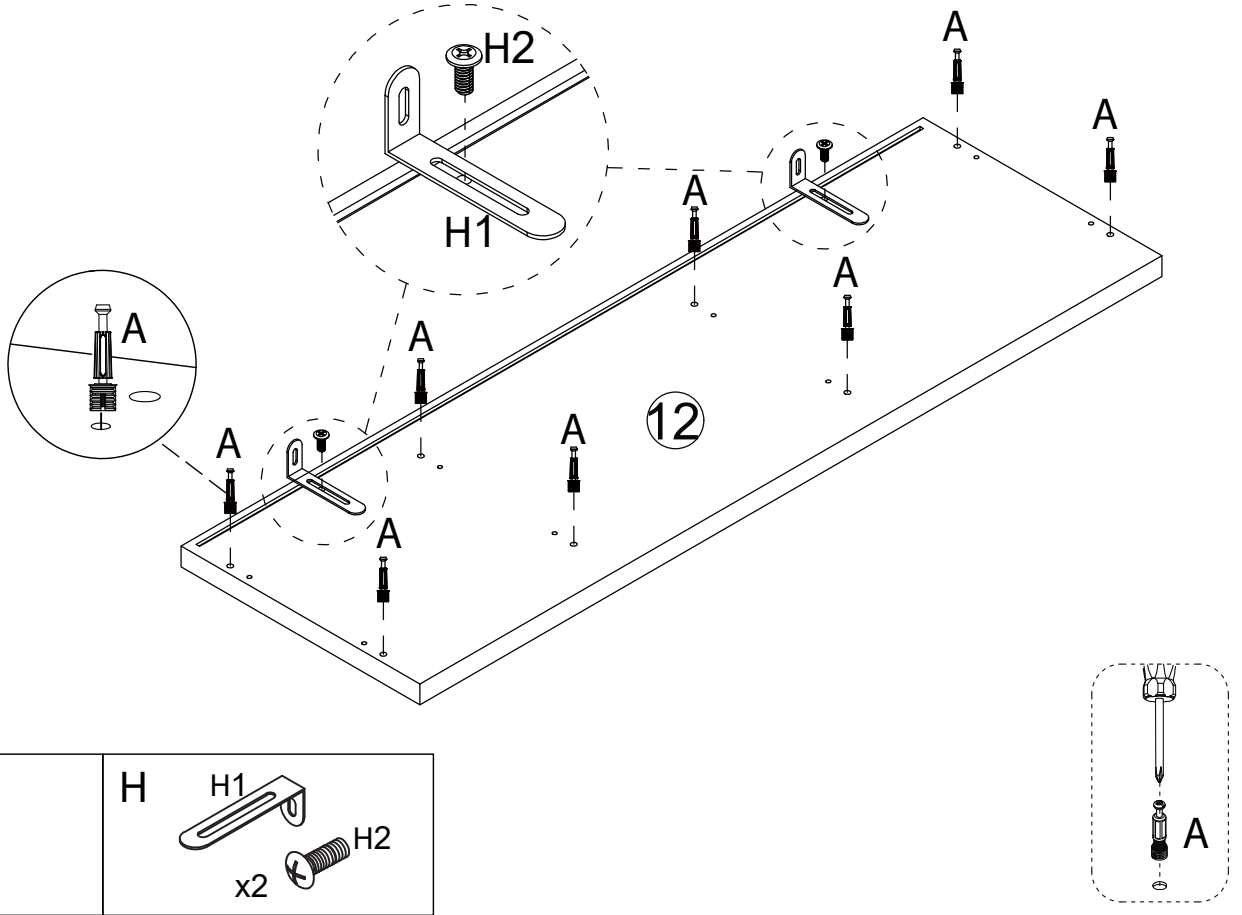
STEP 6



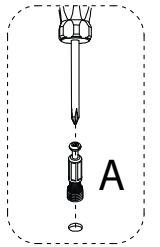
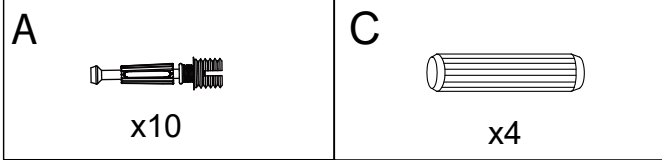
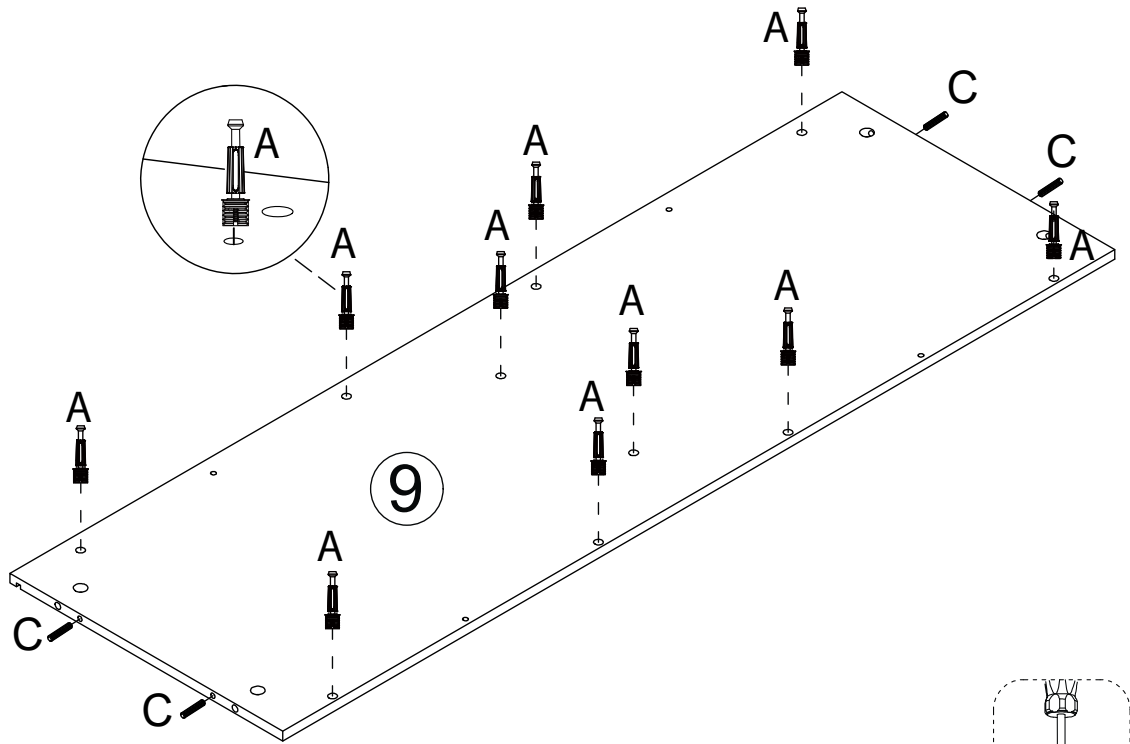
STEP 7



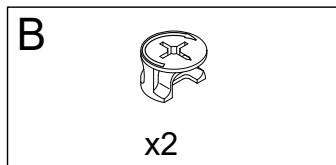
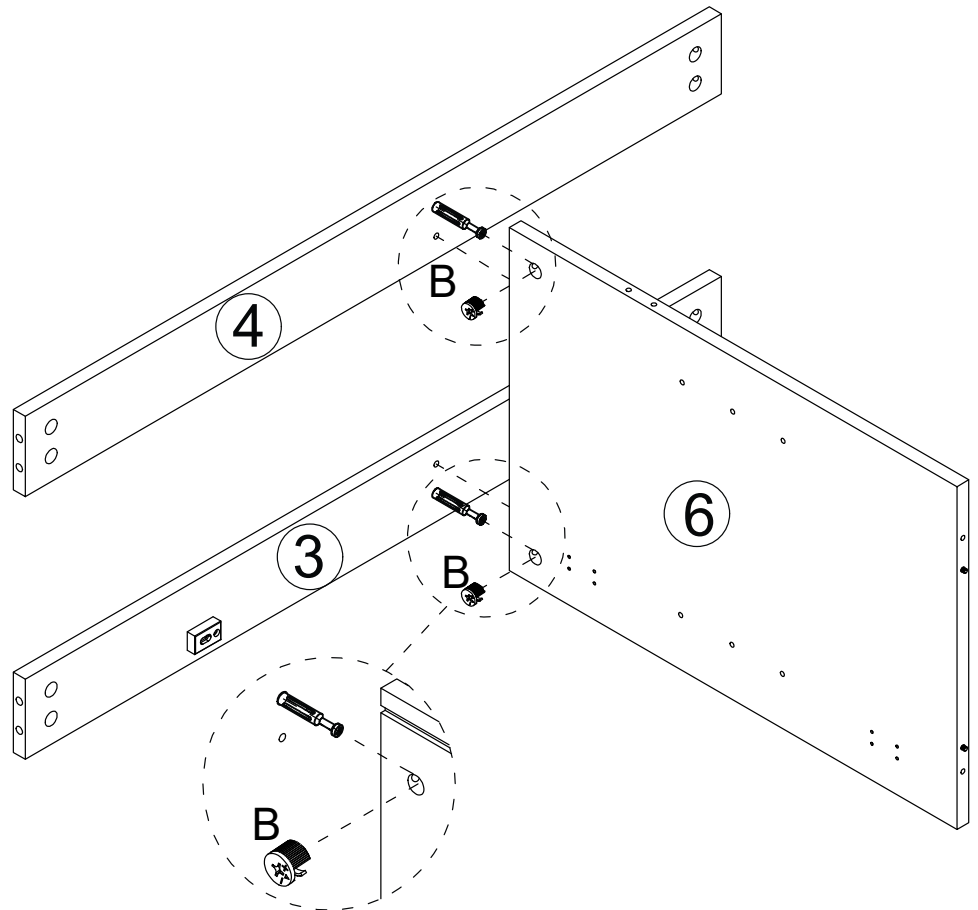
STEP 8



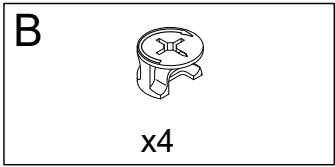
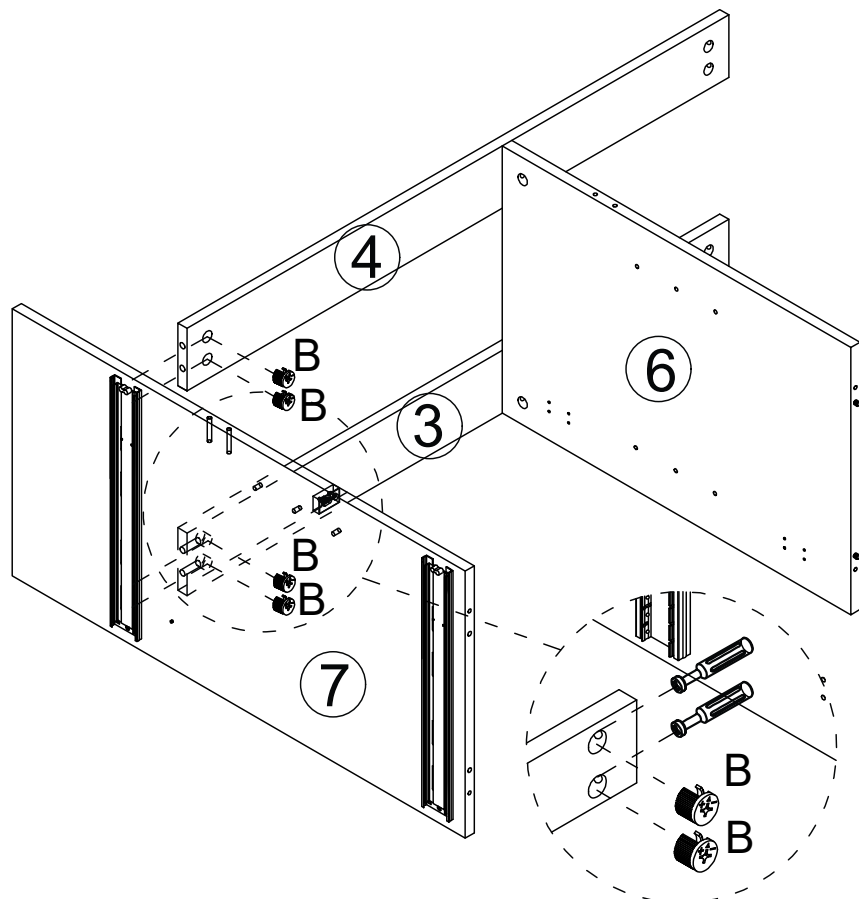
STEP 9



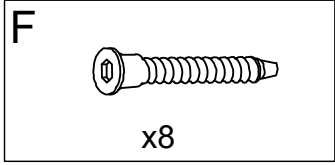
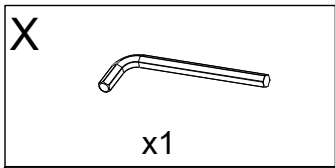
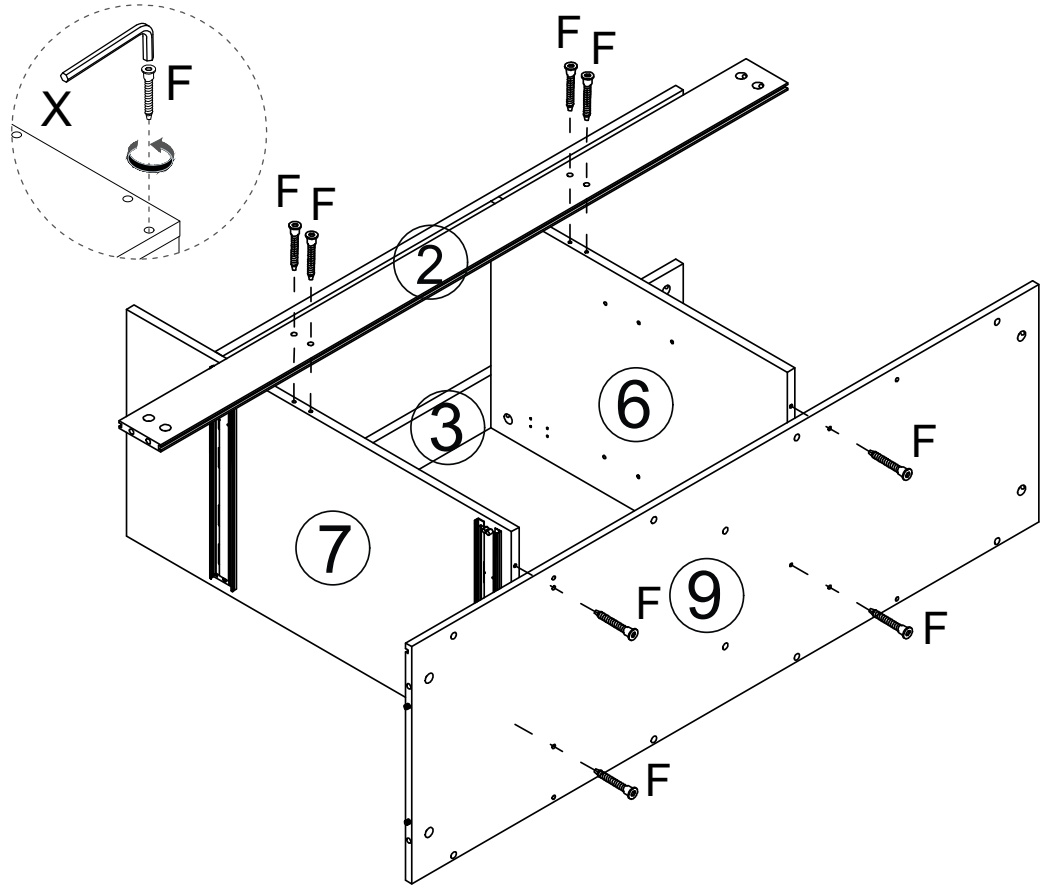
STEP 10



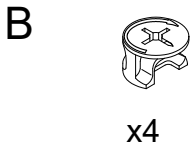
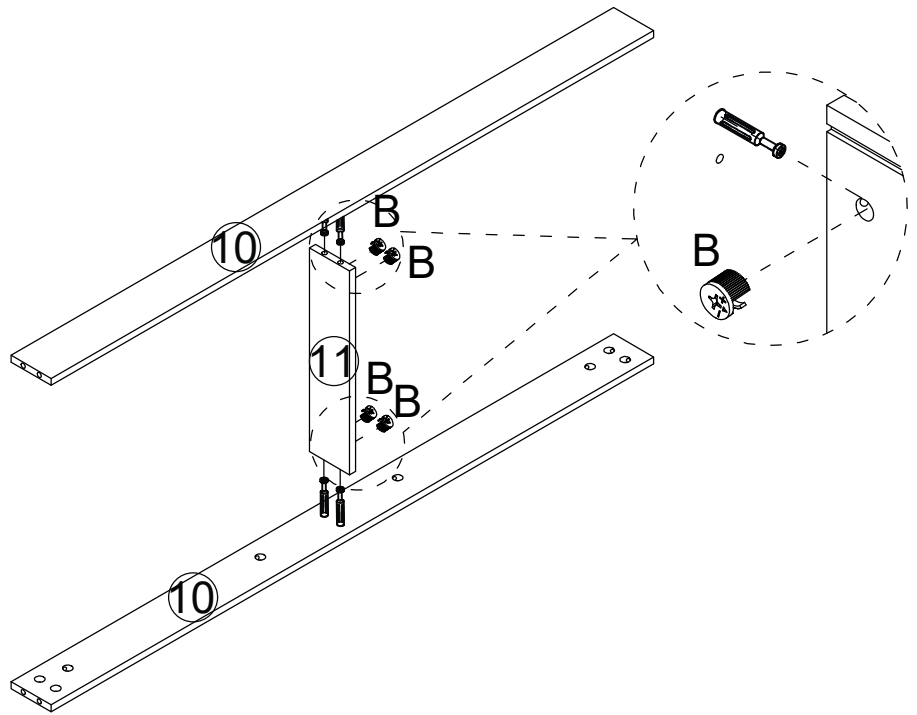
STEP 11



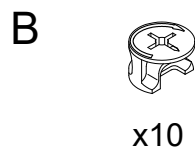
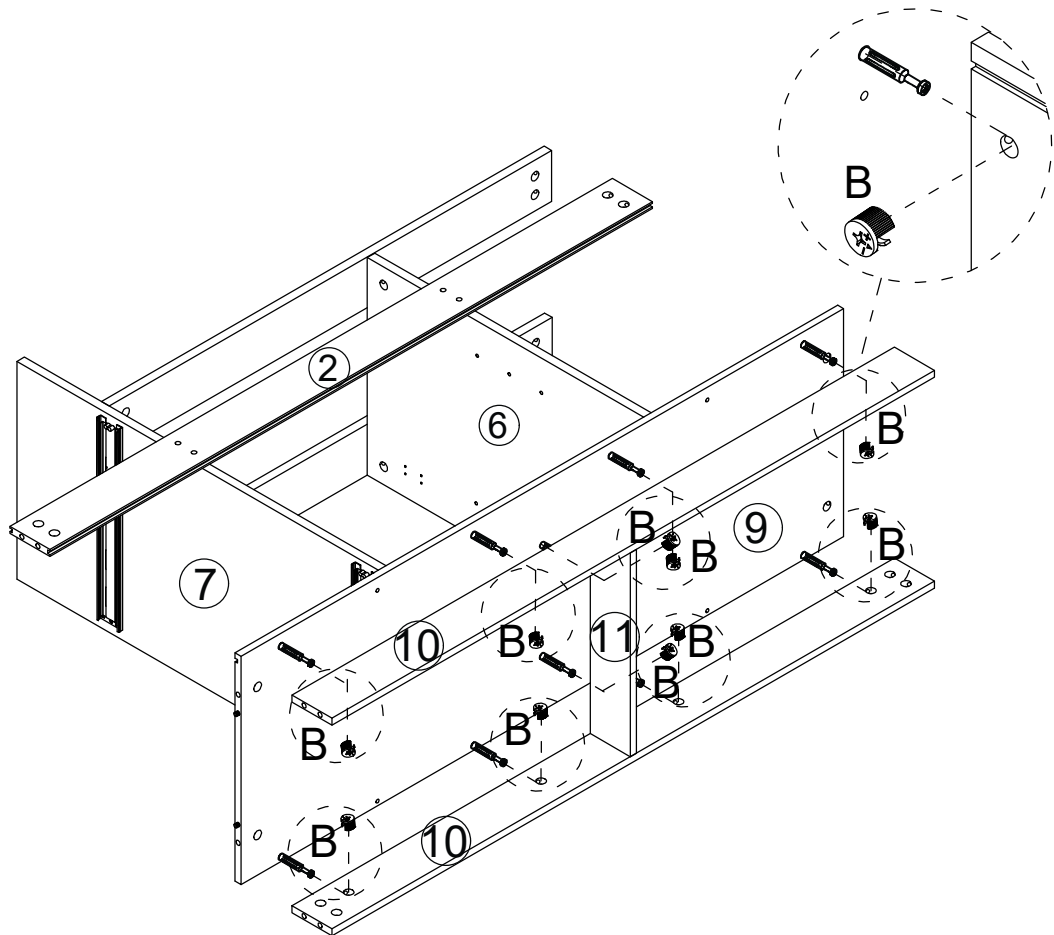
STEP 12



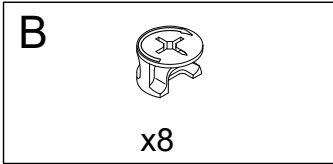
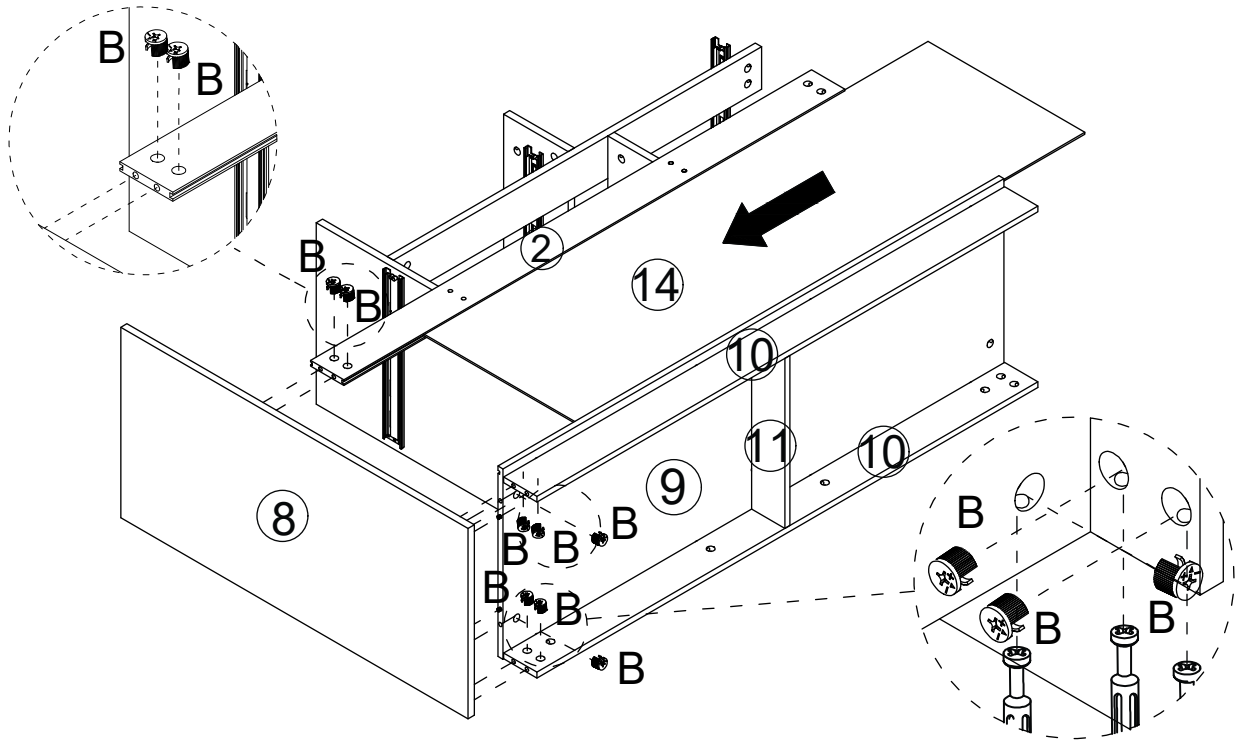
STEP 13



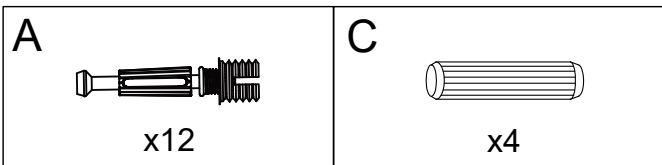
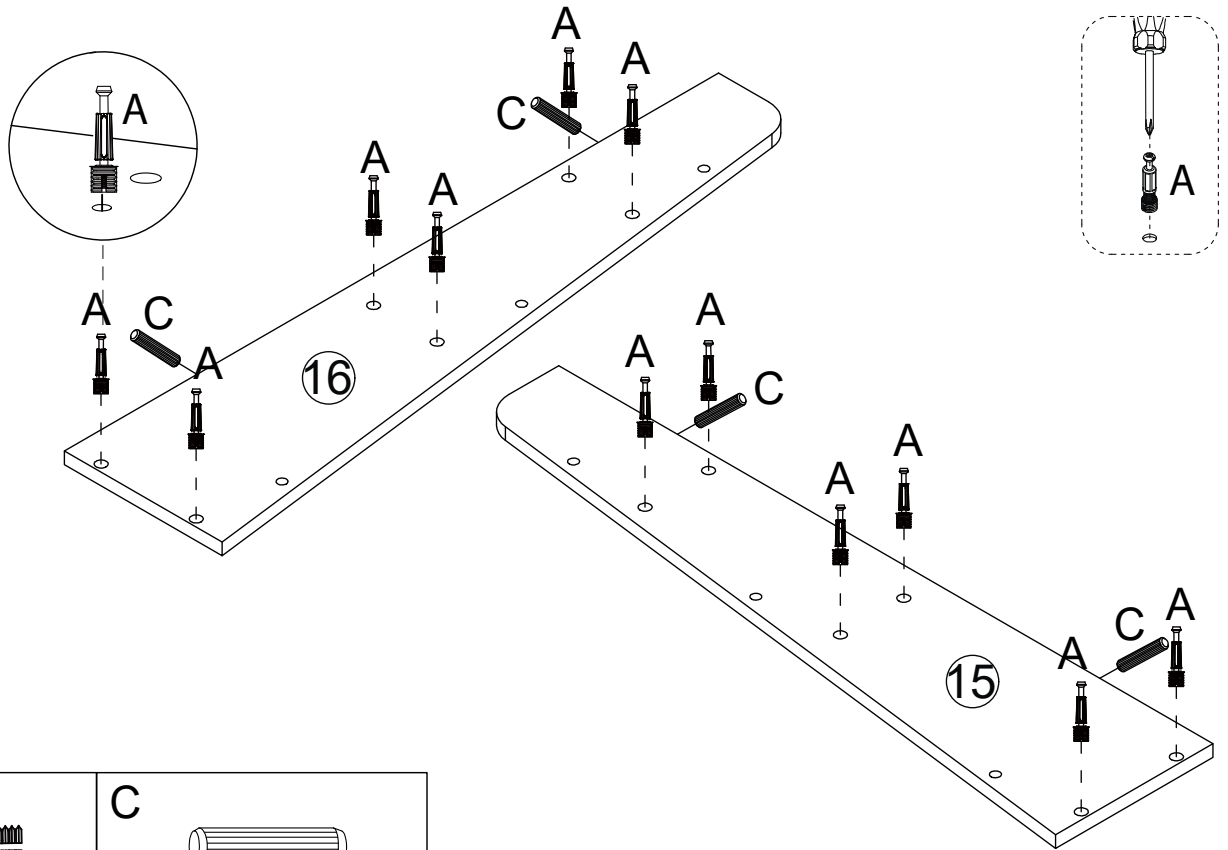
STEP 14



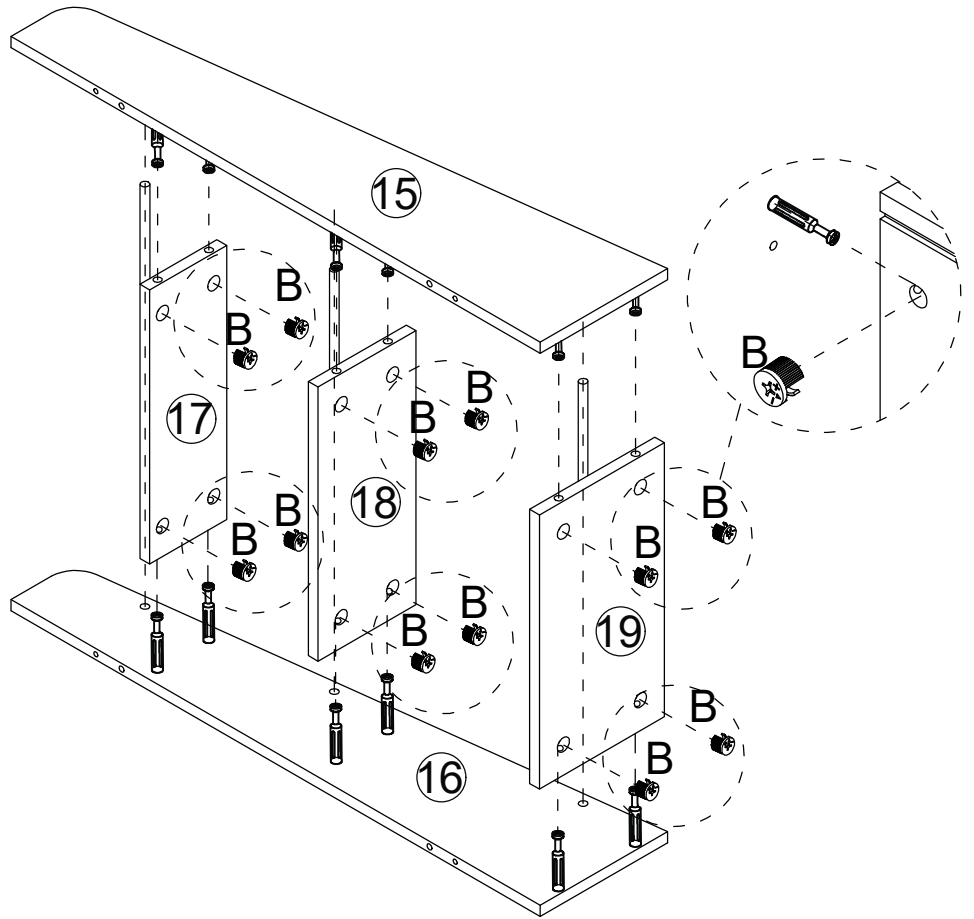
STEP 15



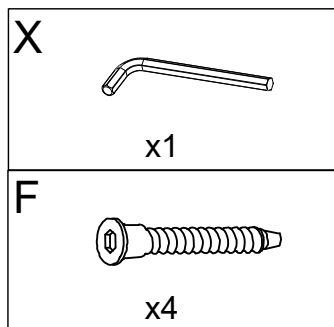
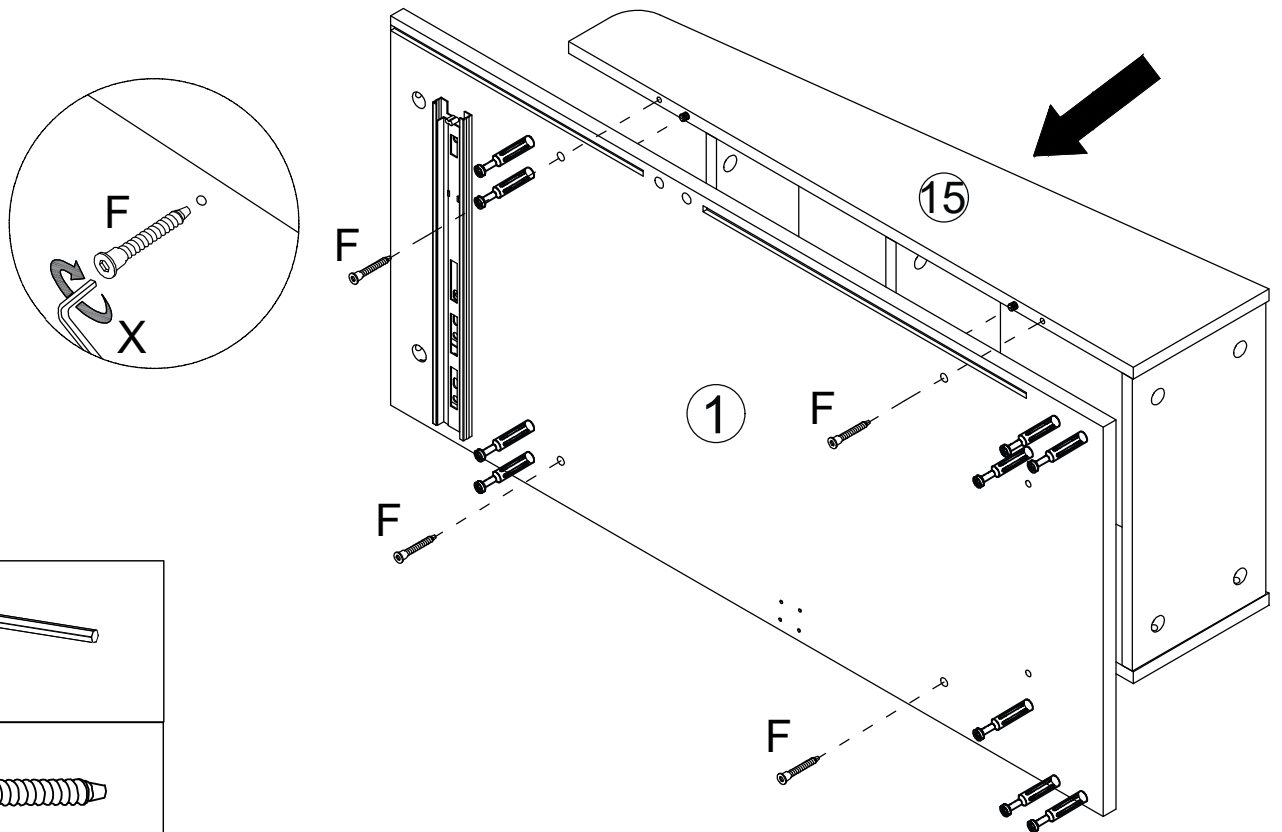
STEP 16



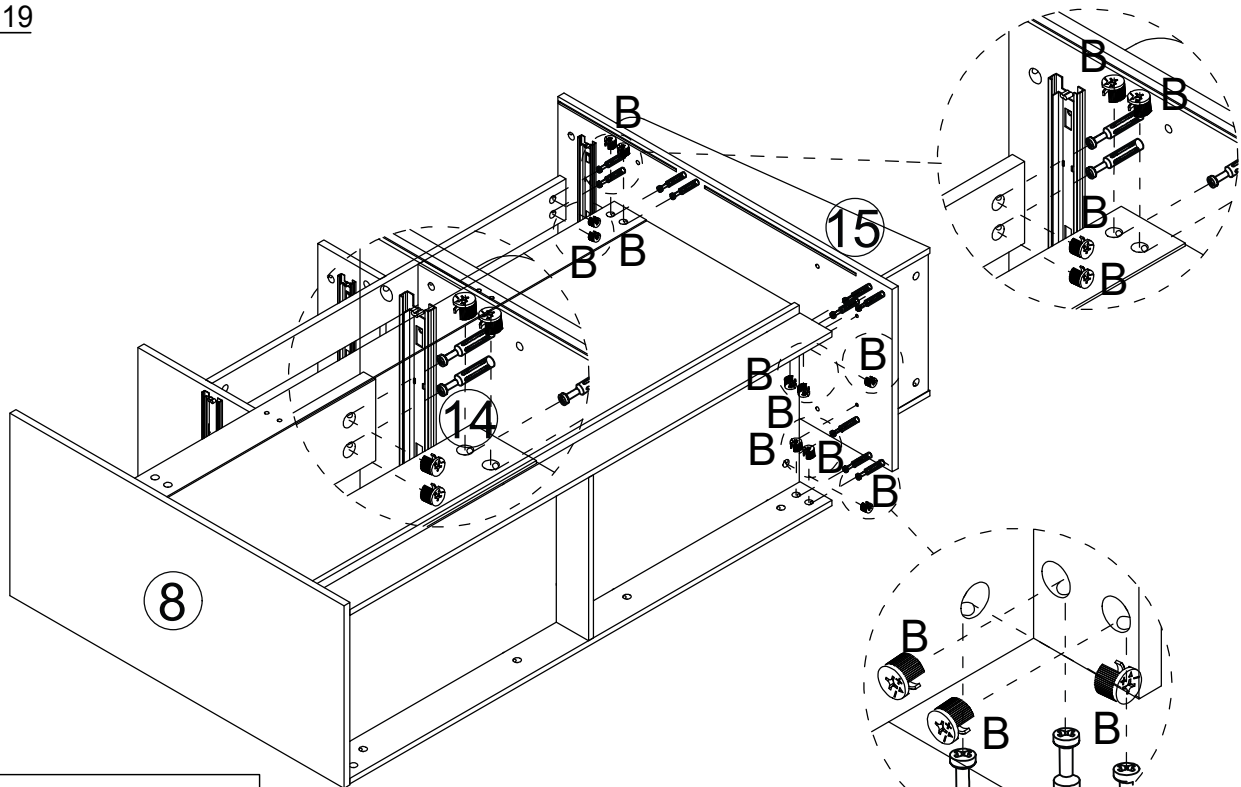
STEP 17



STEP 18



STEP 19

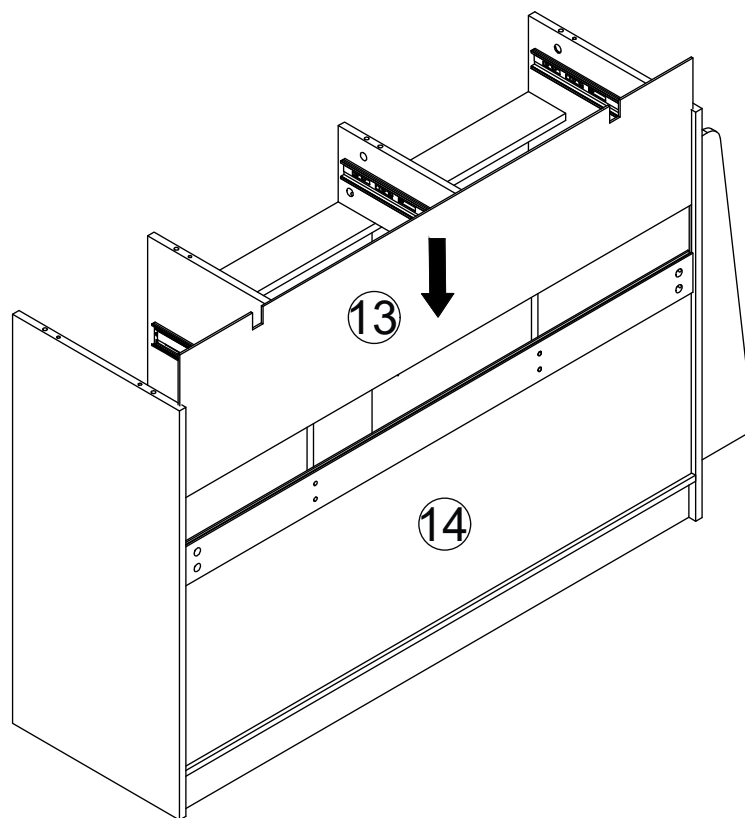


B

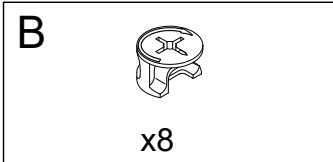
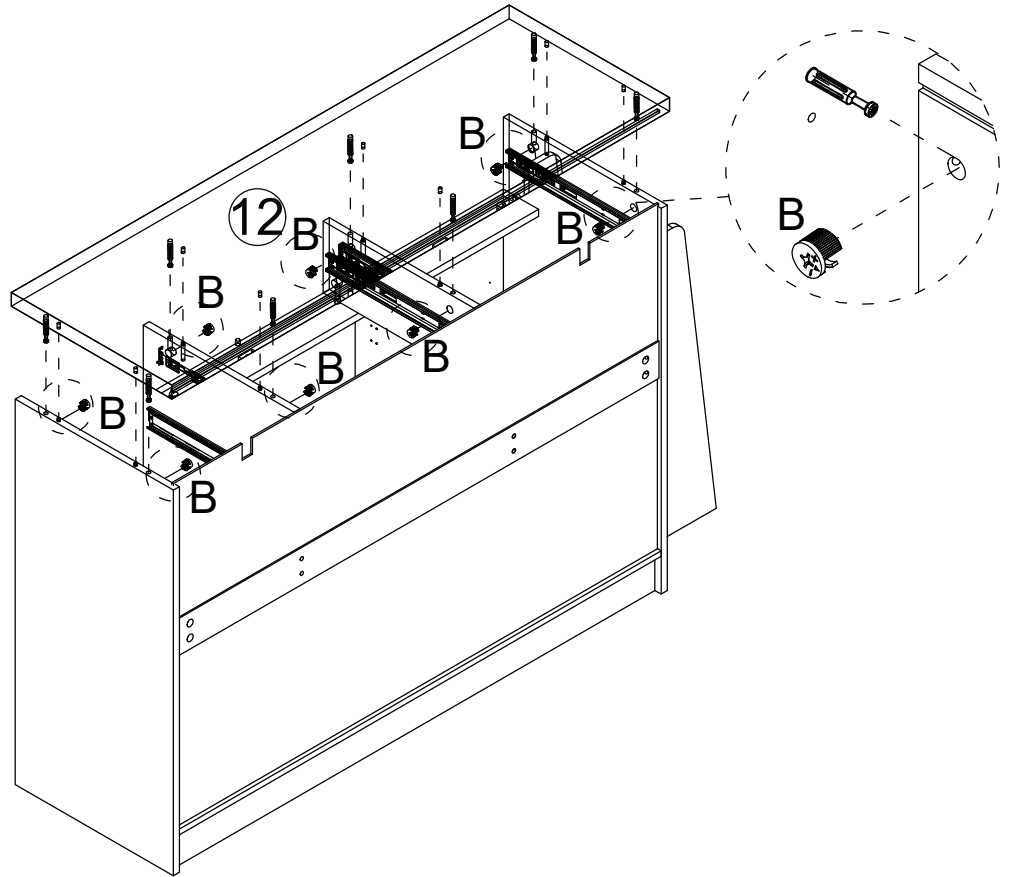


x10

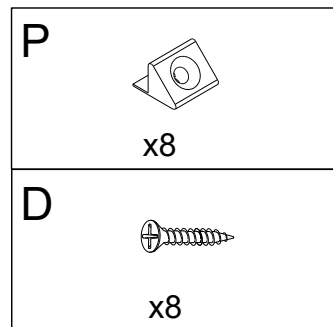
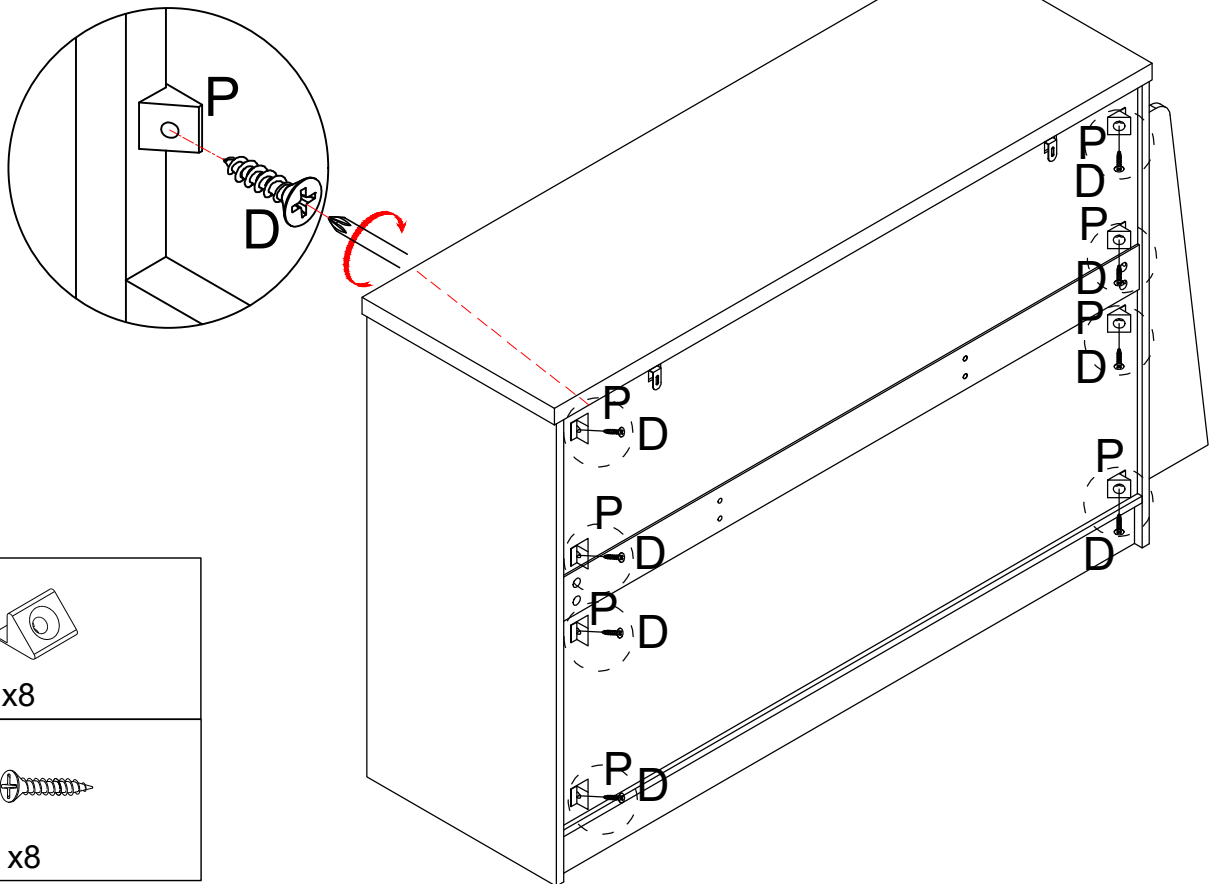
STEP 20



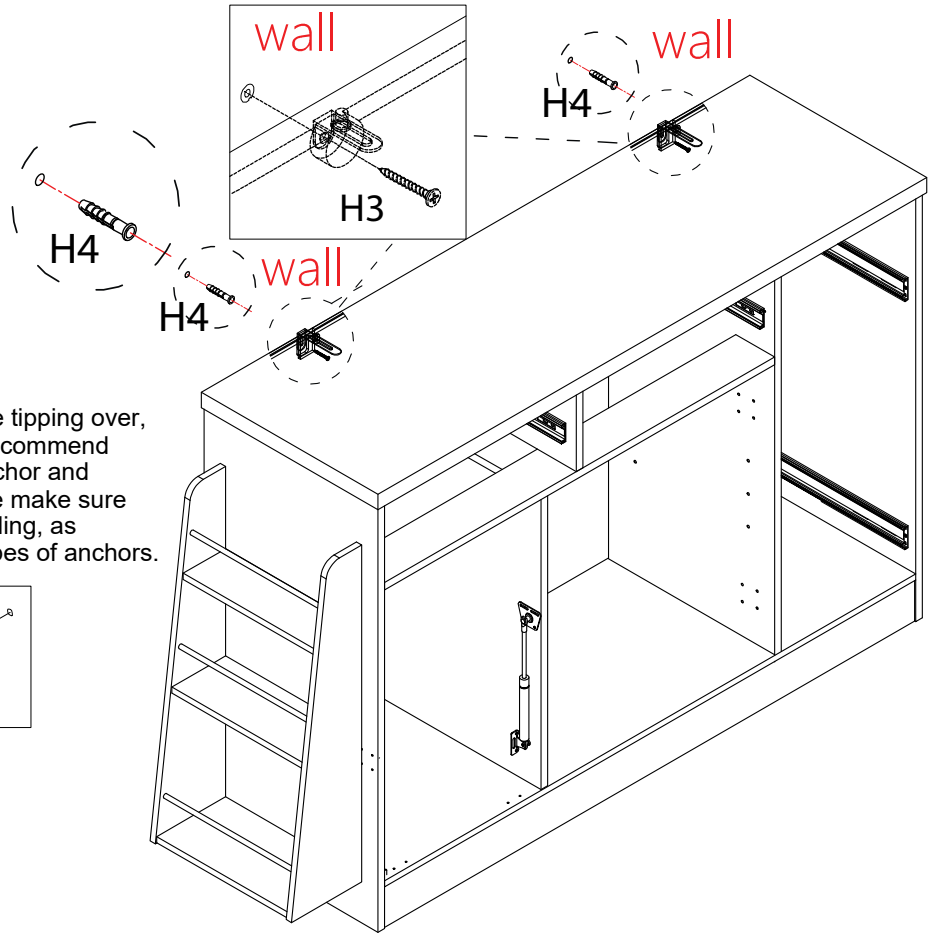
STEP 21



STEP 22

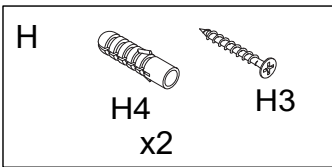
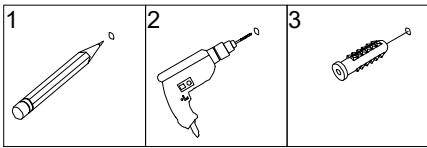


STEP 23

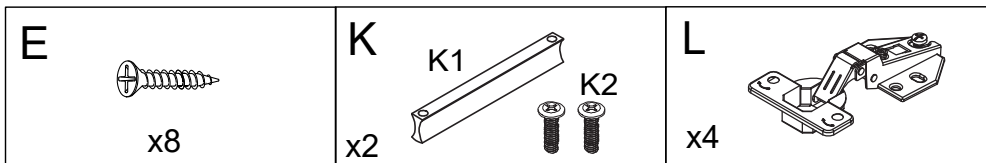
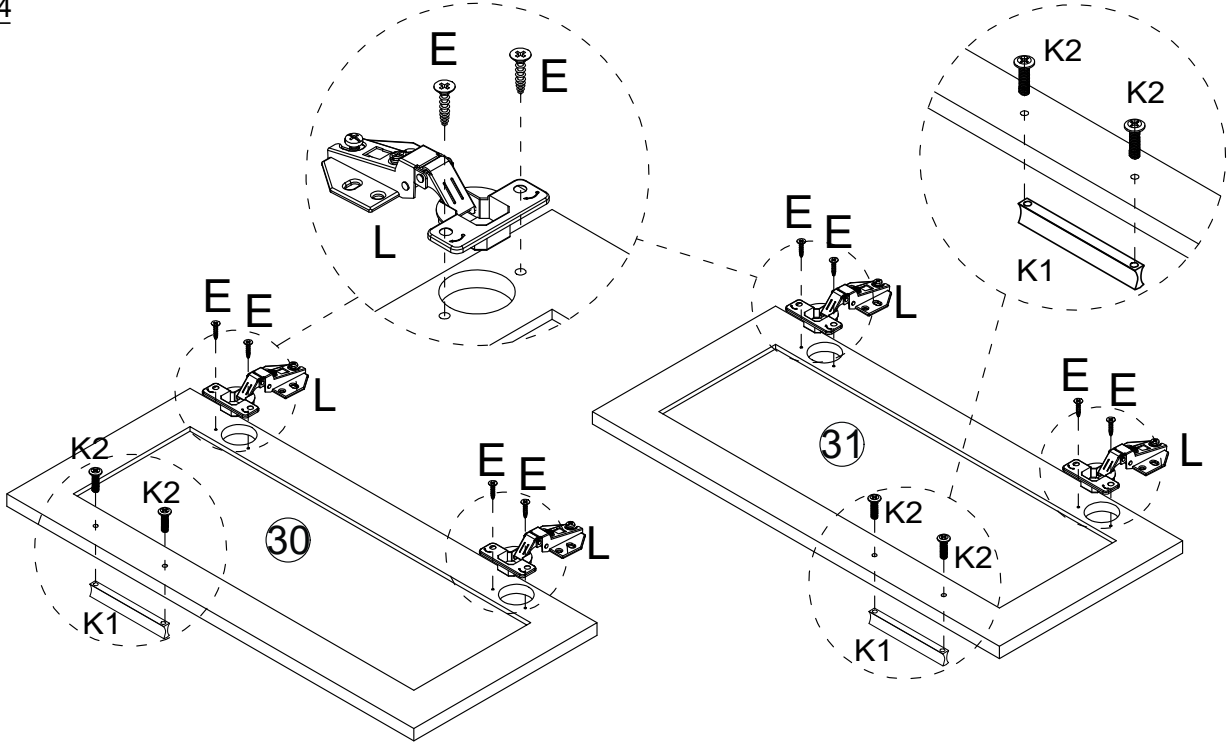


WARNING

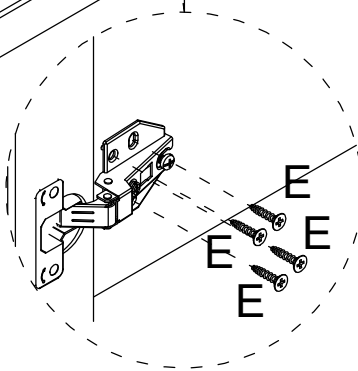
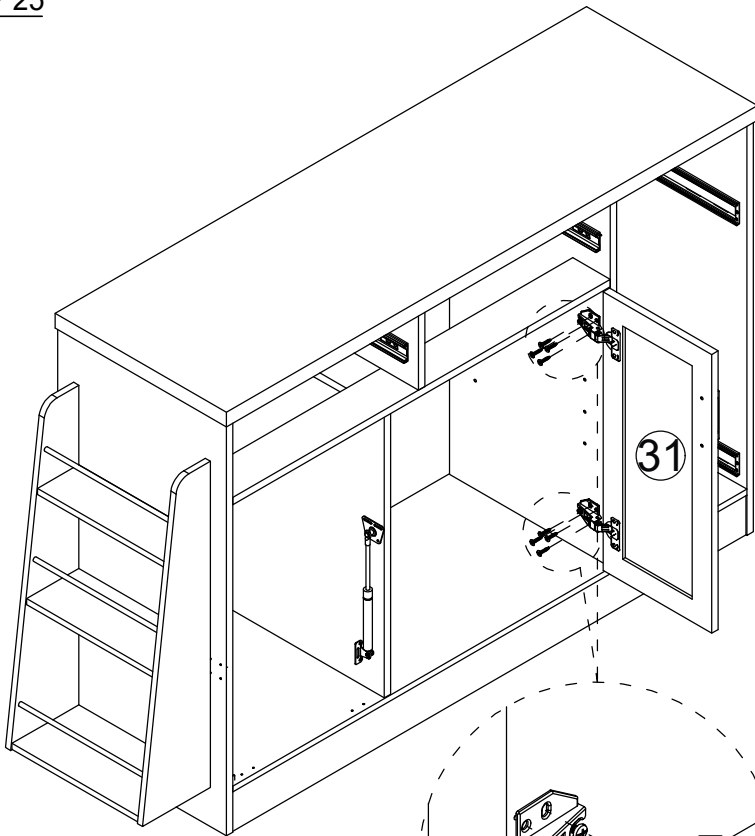
Serious or fatal injuries can occur from furniture tipping over. To prevent the furniture from tipping over we recommend that it is permanently fixed to the wall. Wall anchor and hardware are included with this product. Please make sure hardware is suitable for your walls before installing, as different wall materials may require different types of anchors.



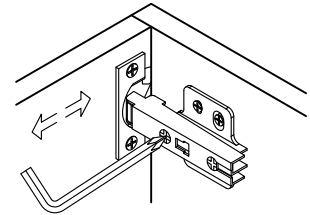
STEP 24



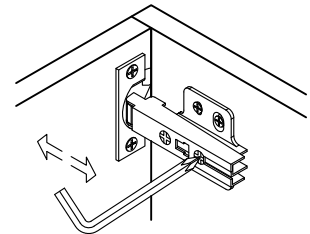
STEP 25



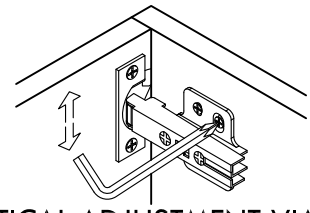
ADJUSTING POSSIBILITIES



• LATERAL ADJUSTMENT BY SCREW ADJUSTMENT

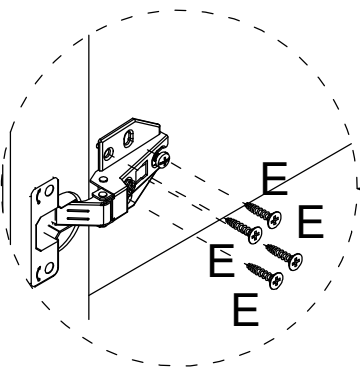
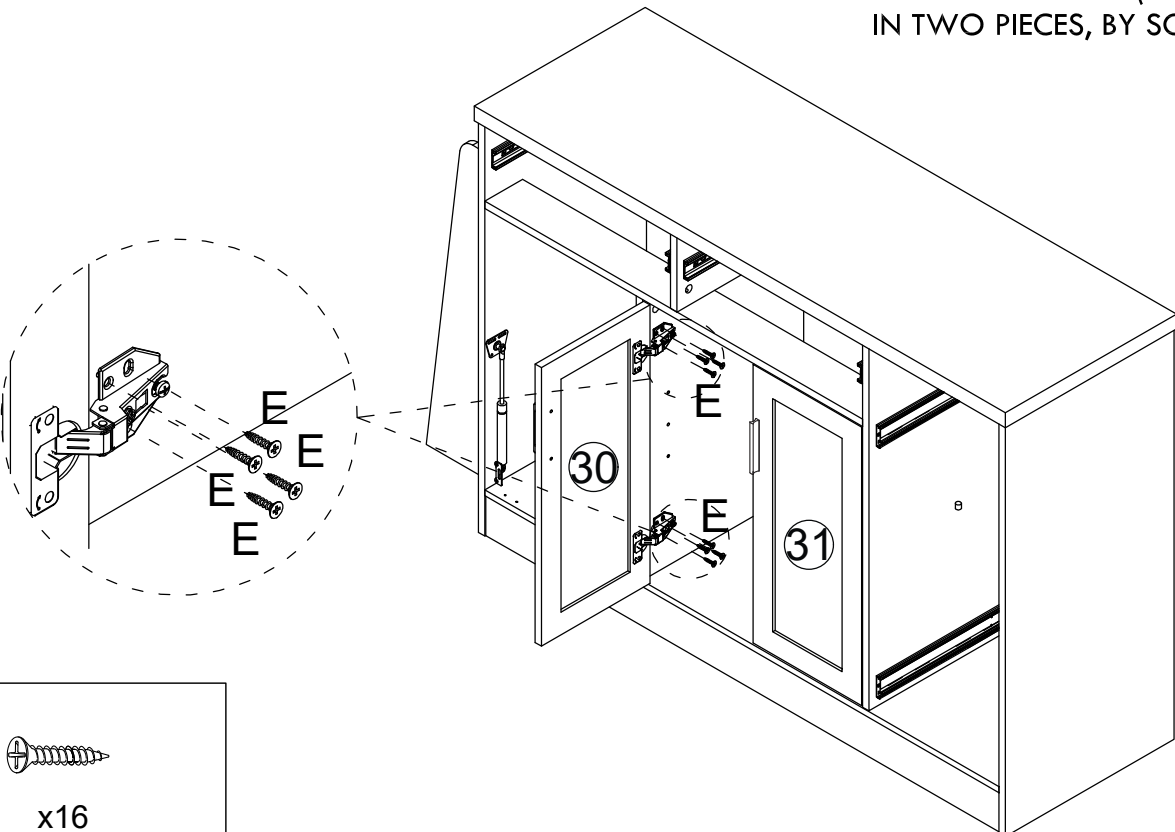


• FRONT-TO-BACK BY SLACKENING THE HINGE-ARM MOUNTING SCREW

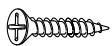


• VERTICAL ADJUSTMENT VIA MOUNTING PLATE (VIA SLOTS OR, IF IN TWO PIECES, BY SCREWS)

STEP 26

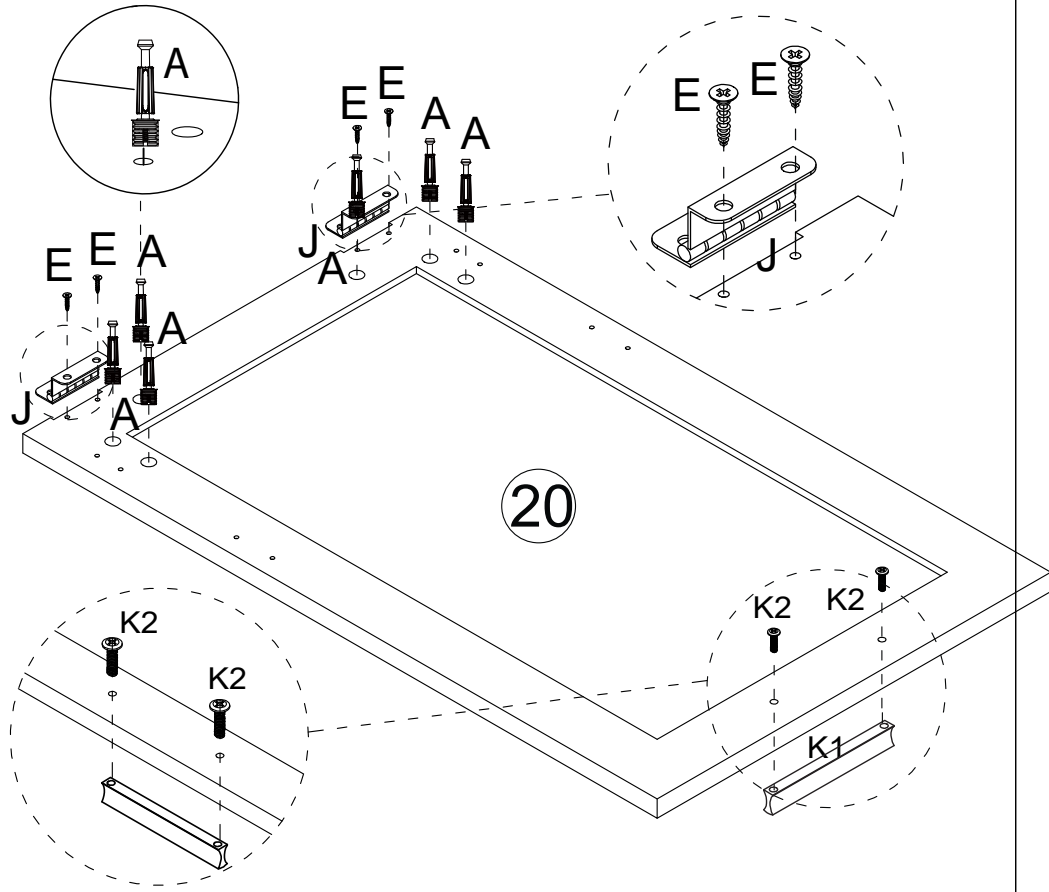
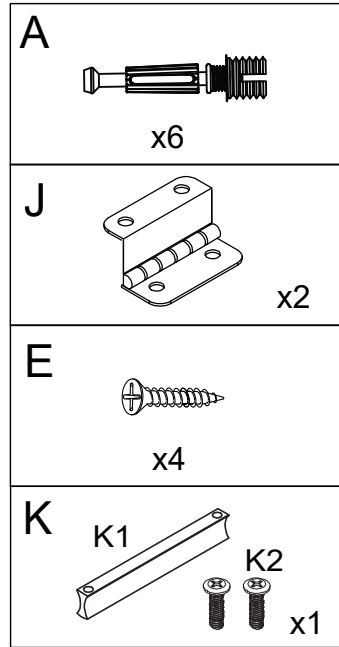


E

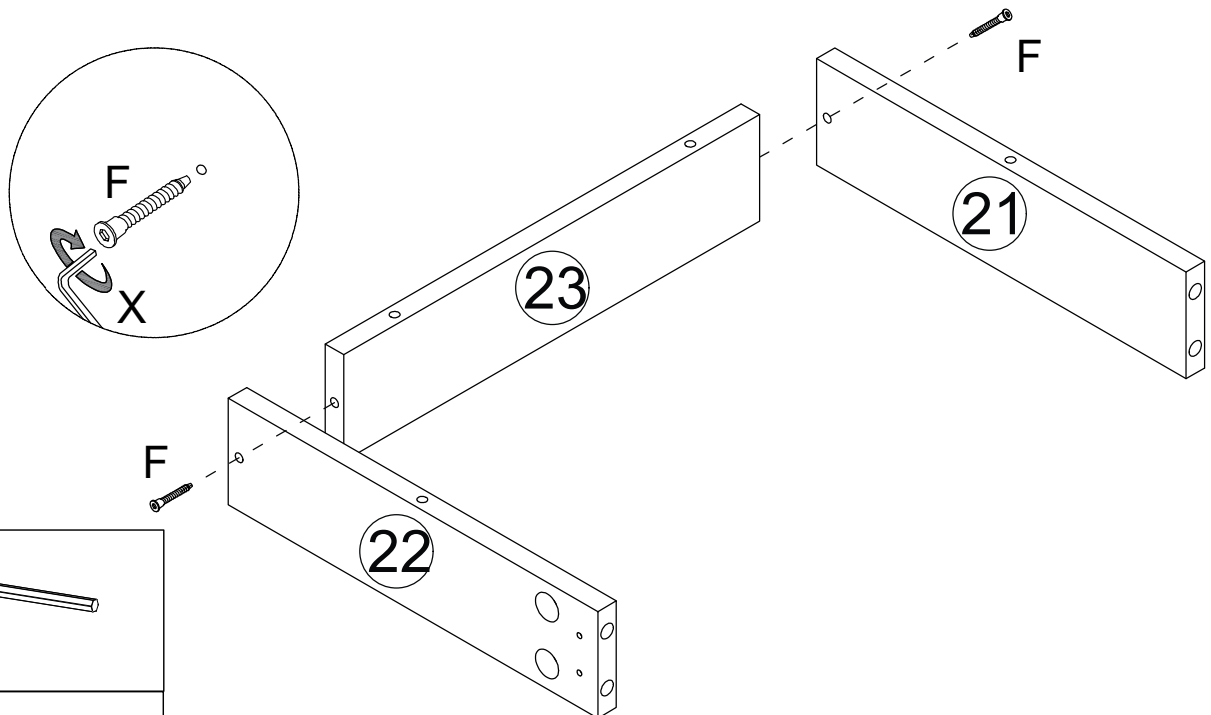
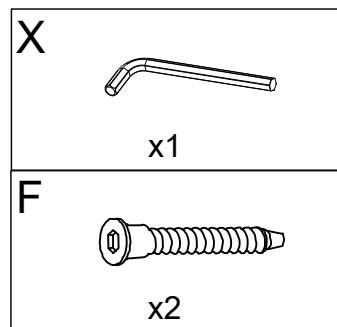


x16

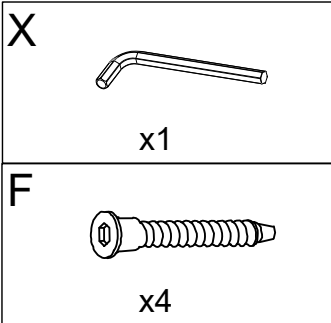
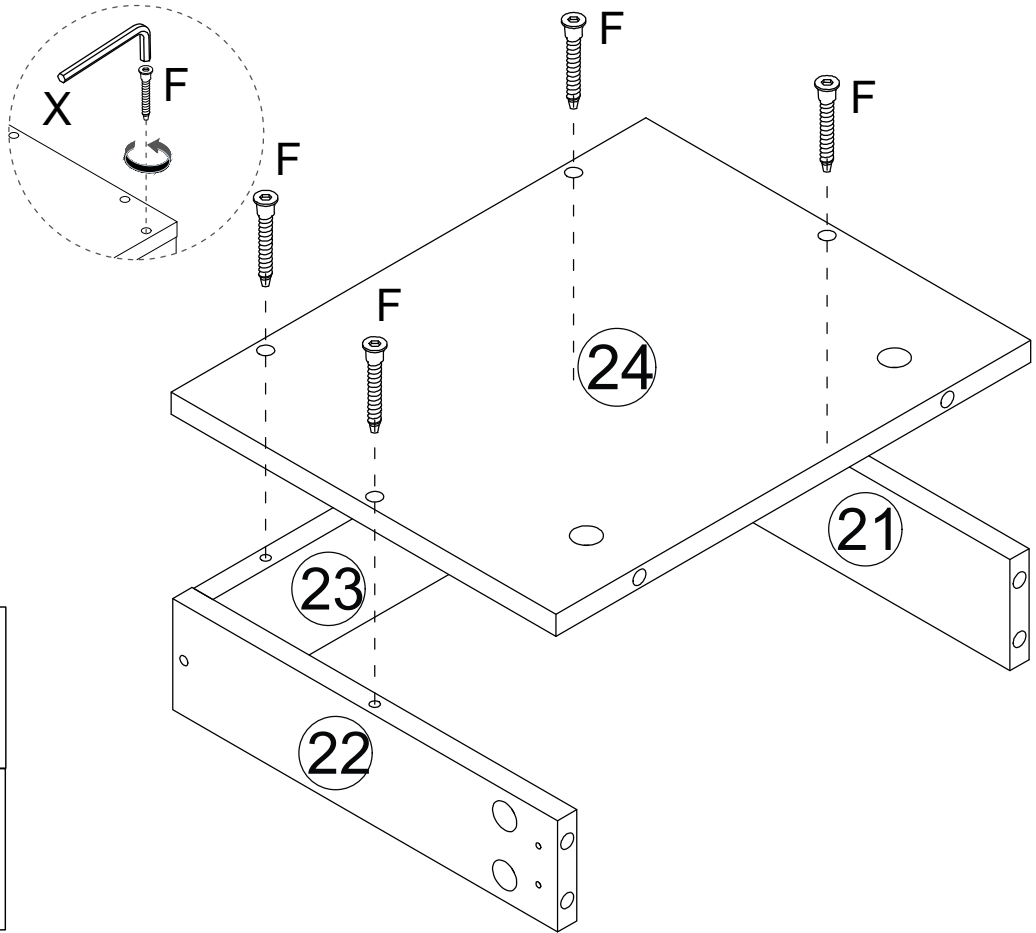
STEP 27



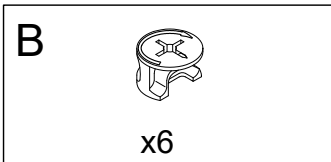
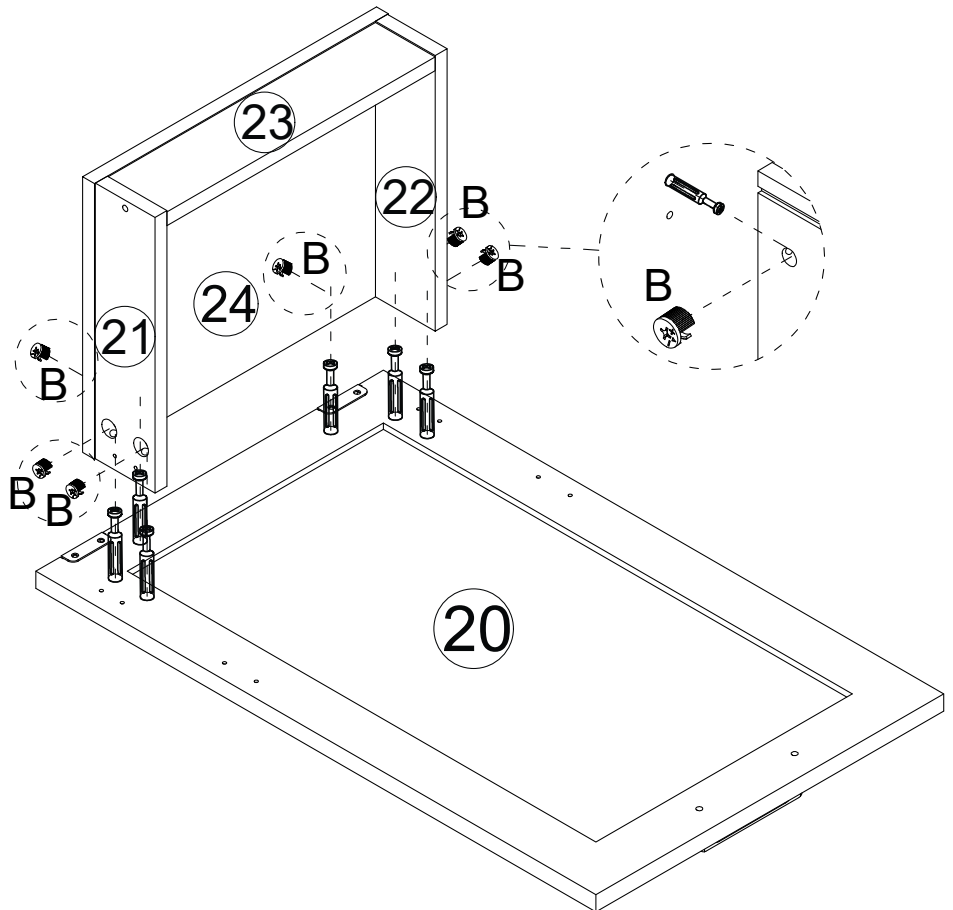
STEP 28



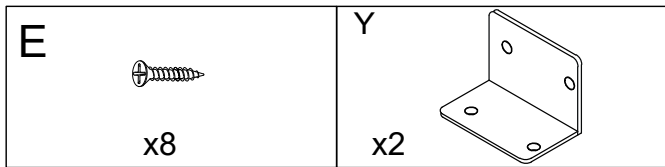
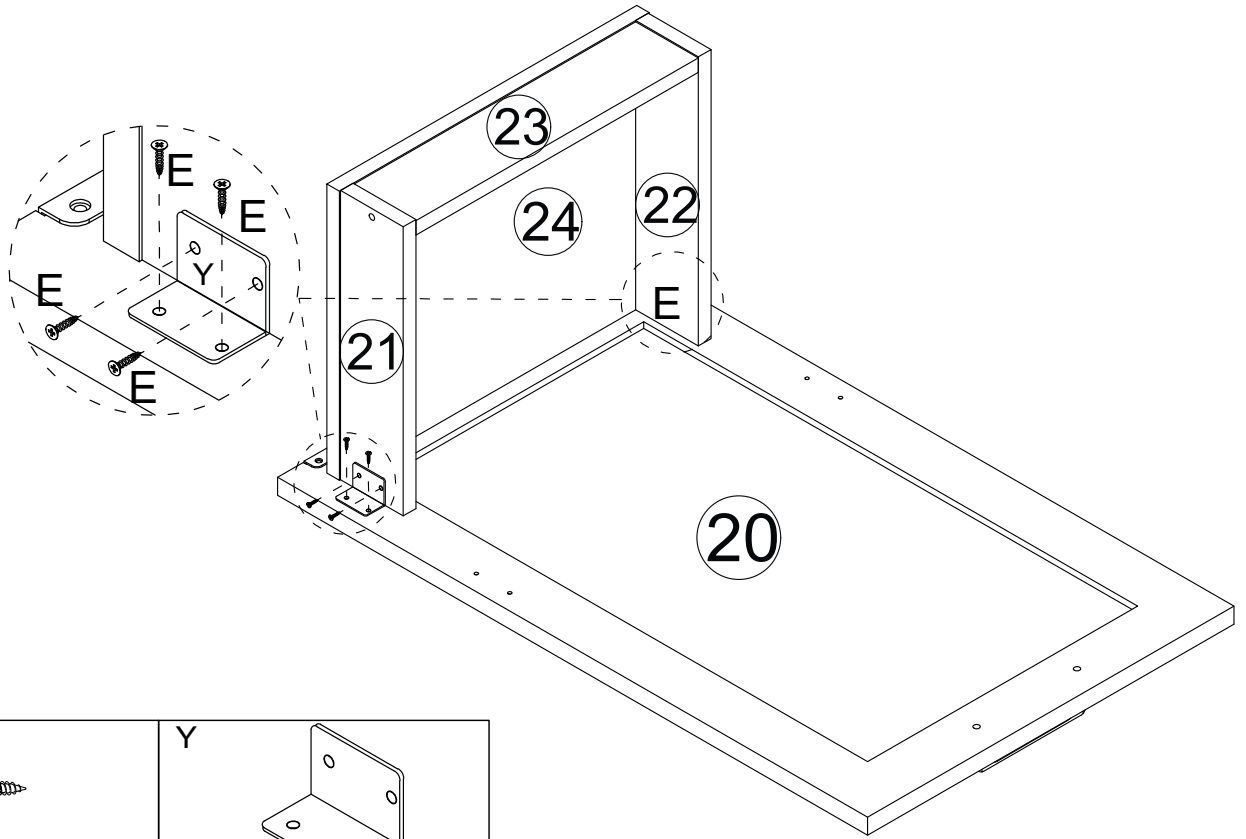
STEP 29



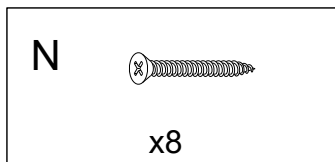
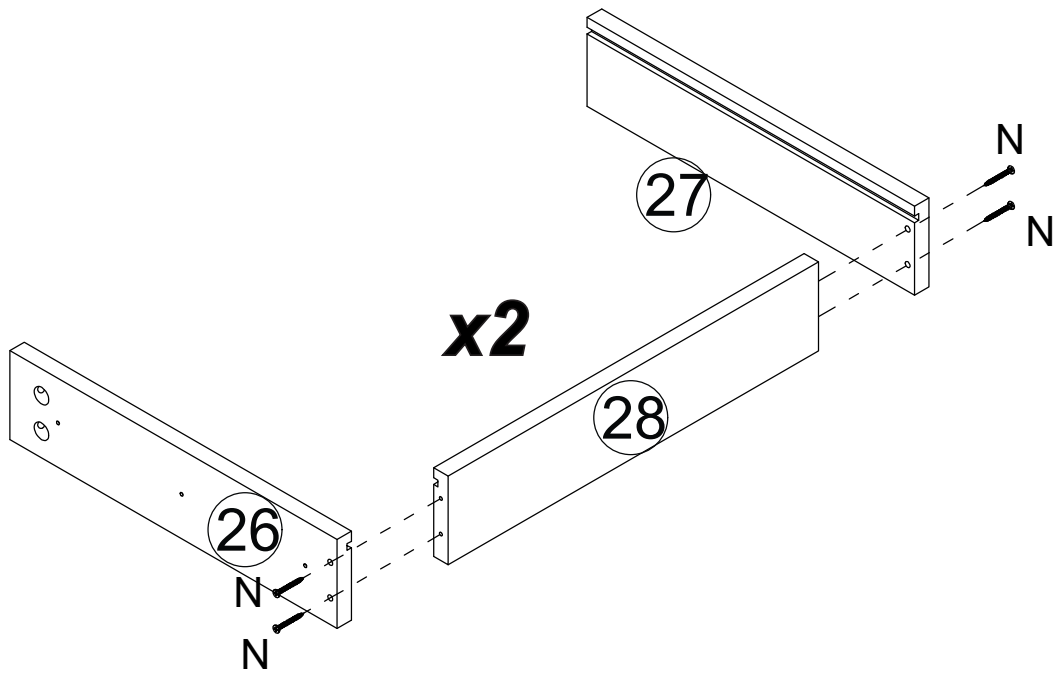
STEP 30



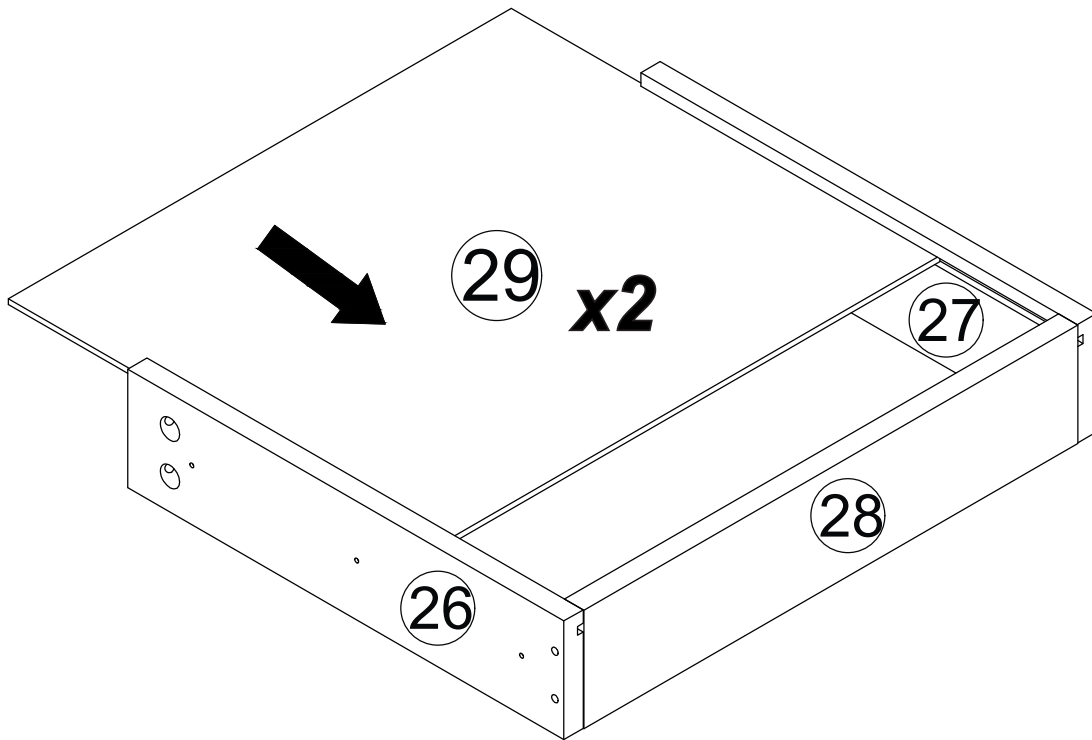
STEP 31



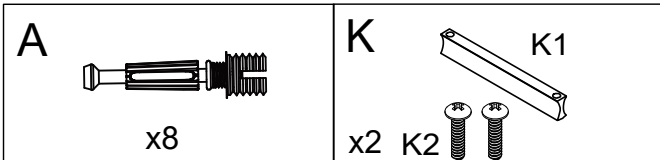
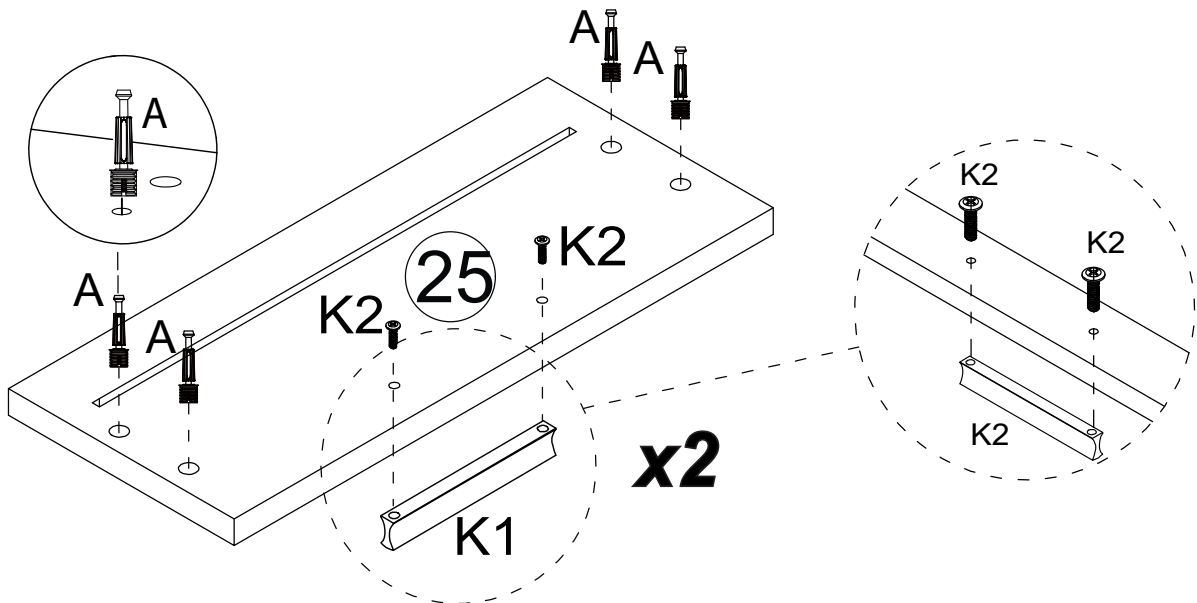
STEP 32



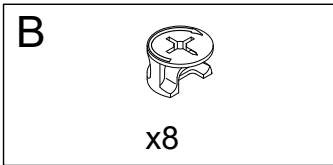
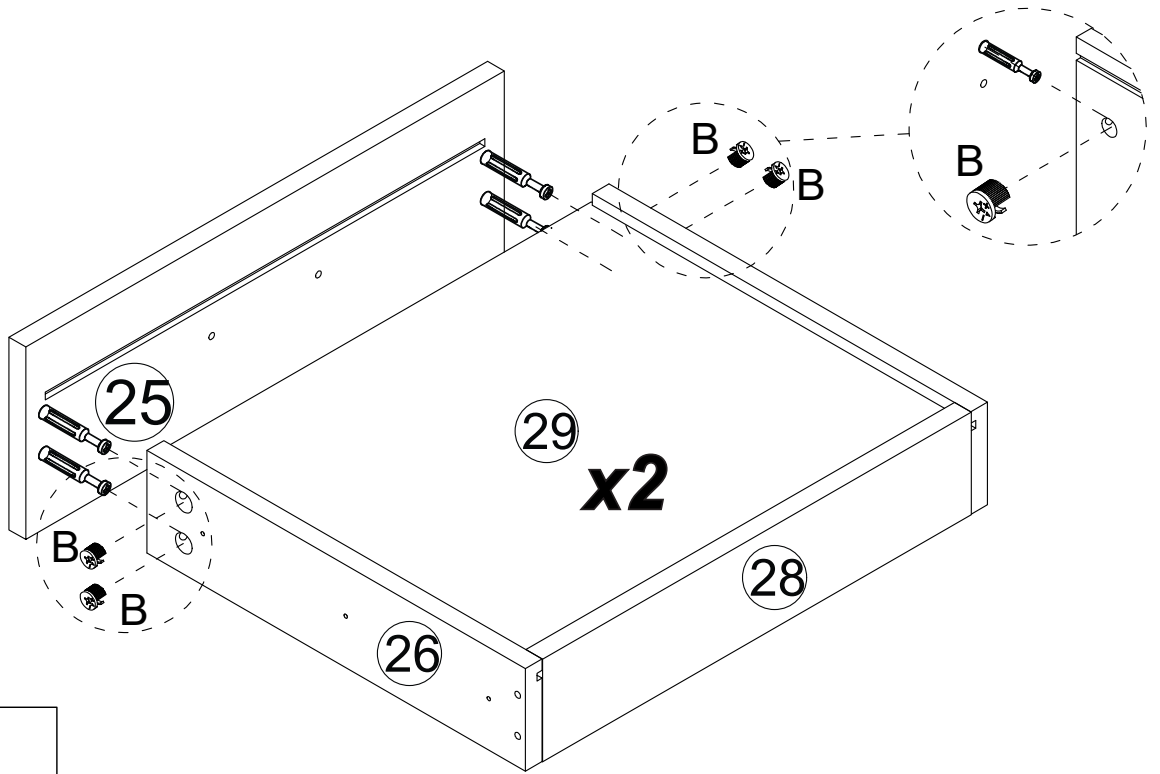
STEP 33



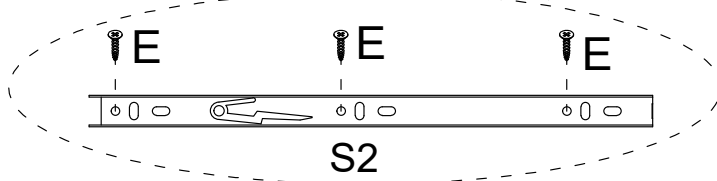
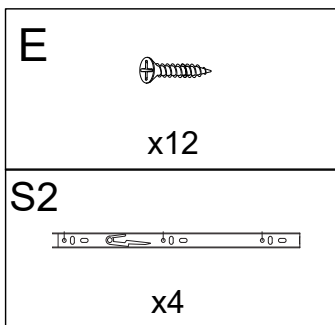
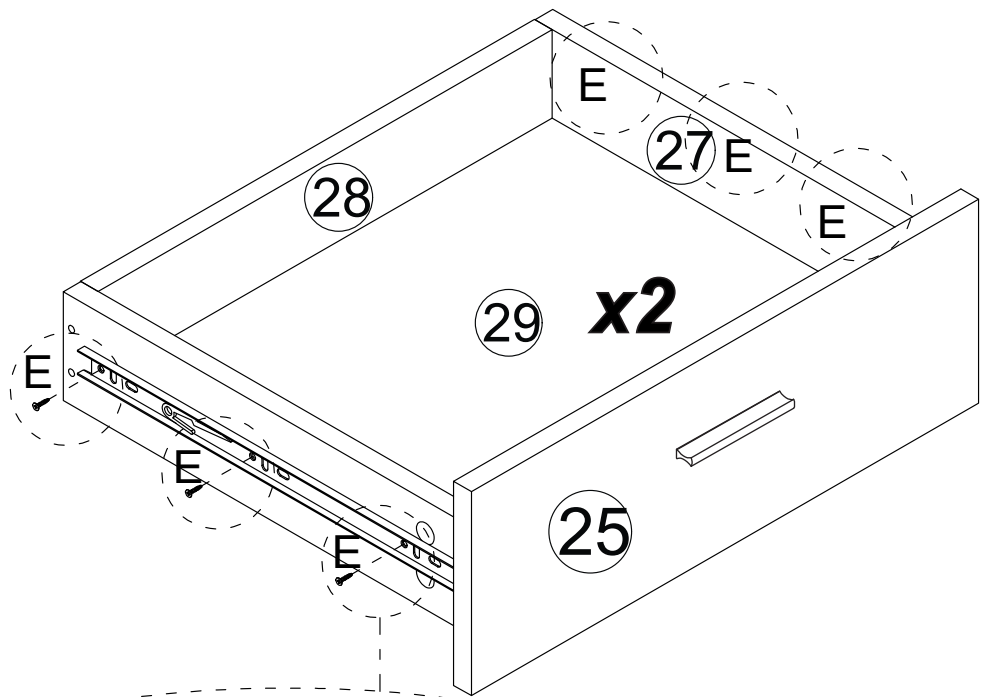
STEP 34



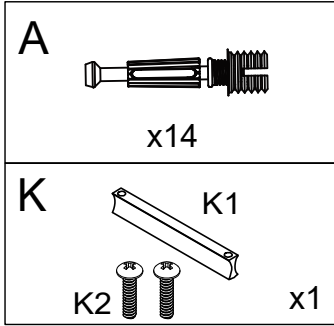
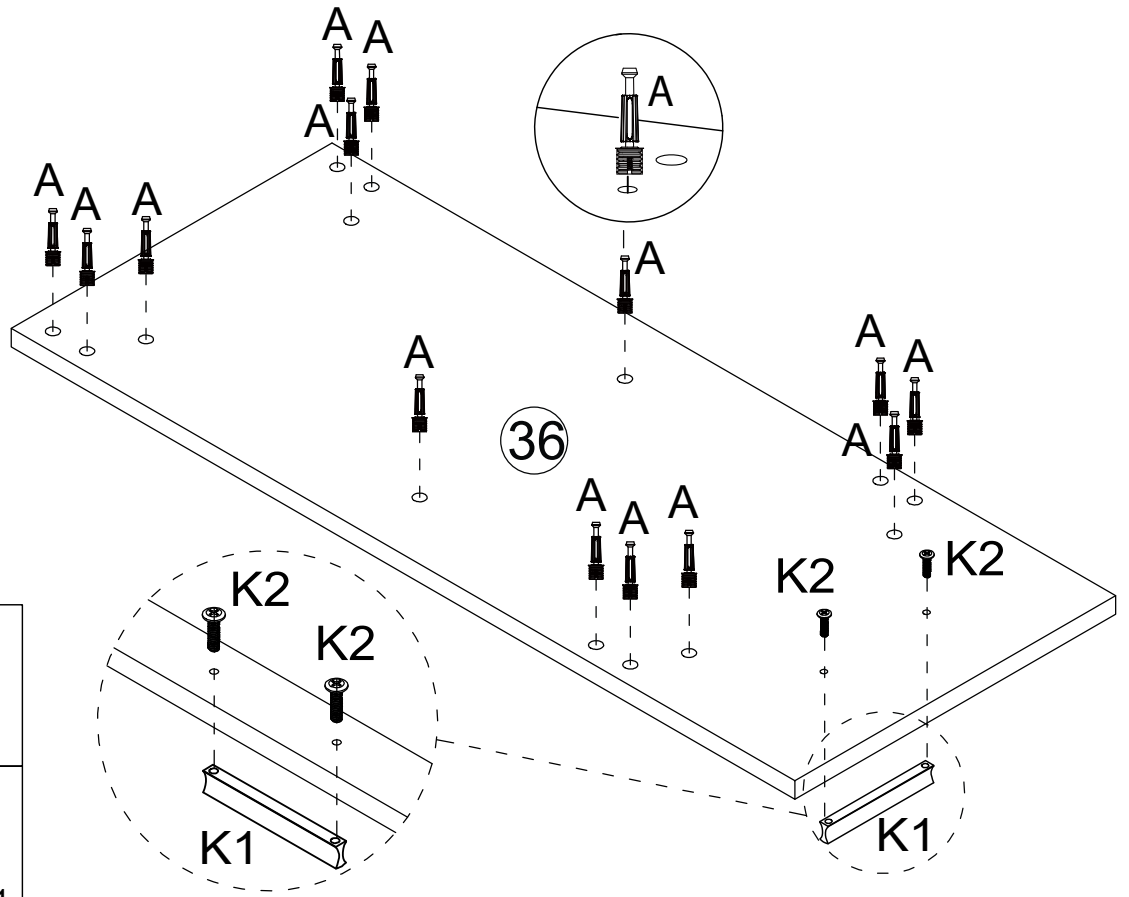
STEP 35



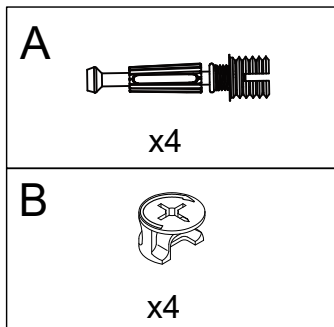
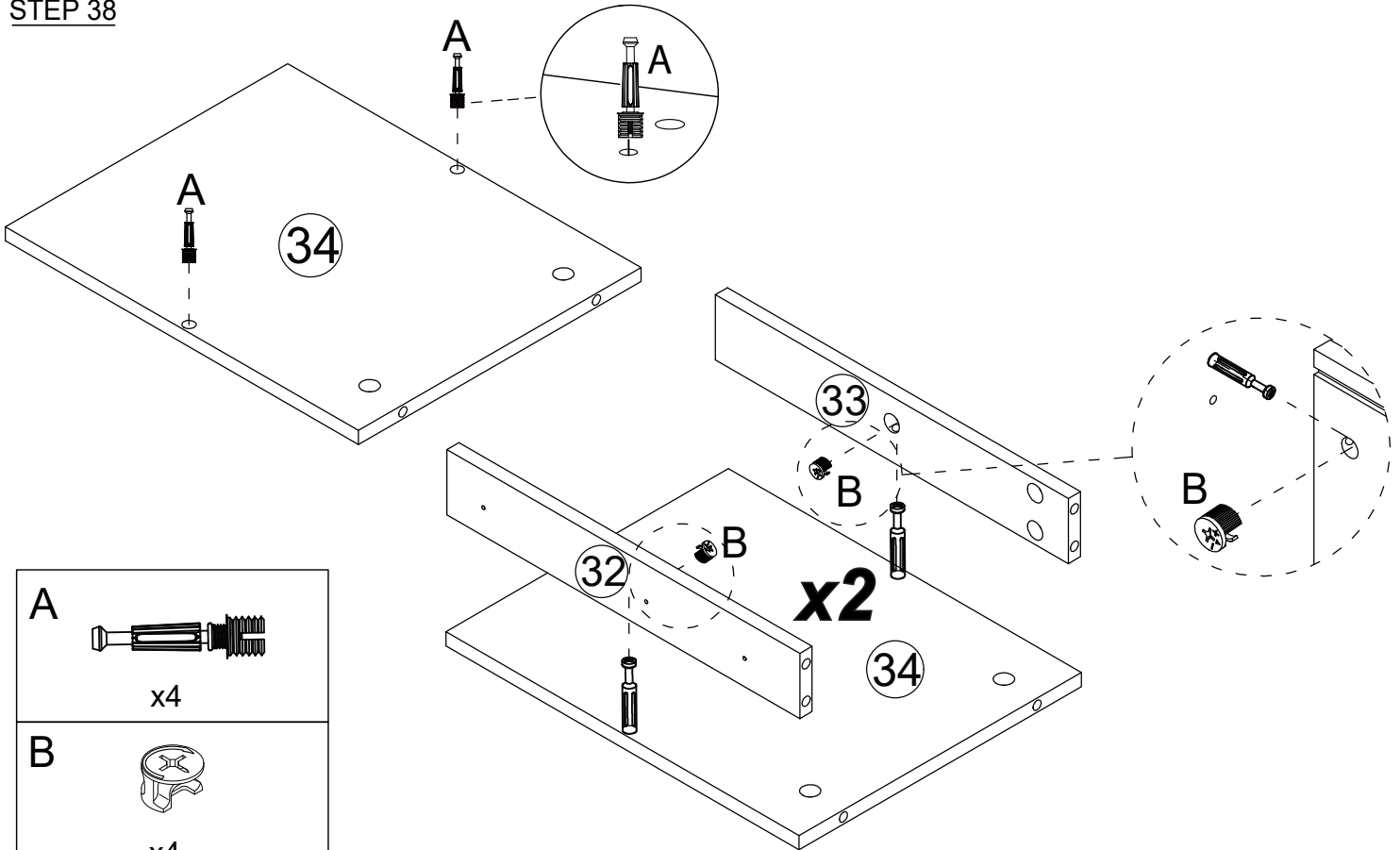
STEP 36



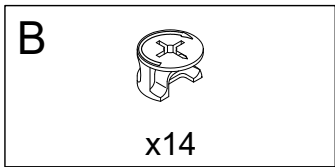
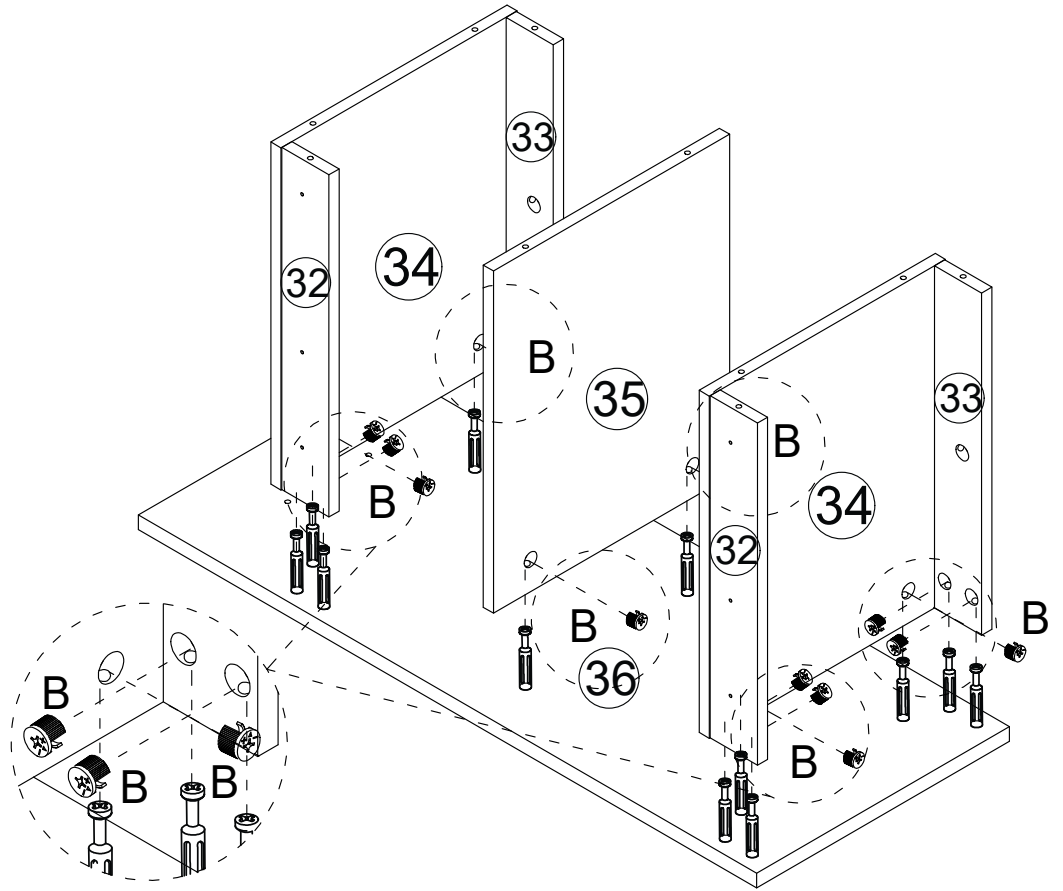
STEP 37



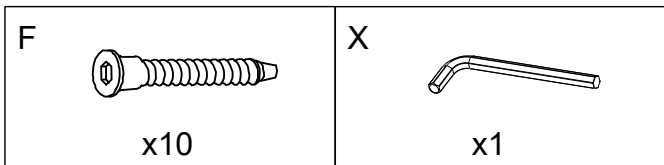
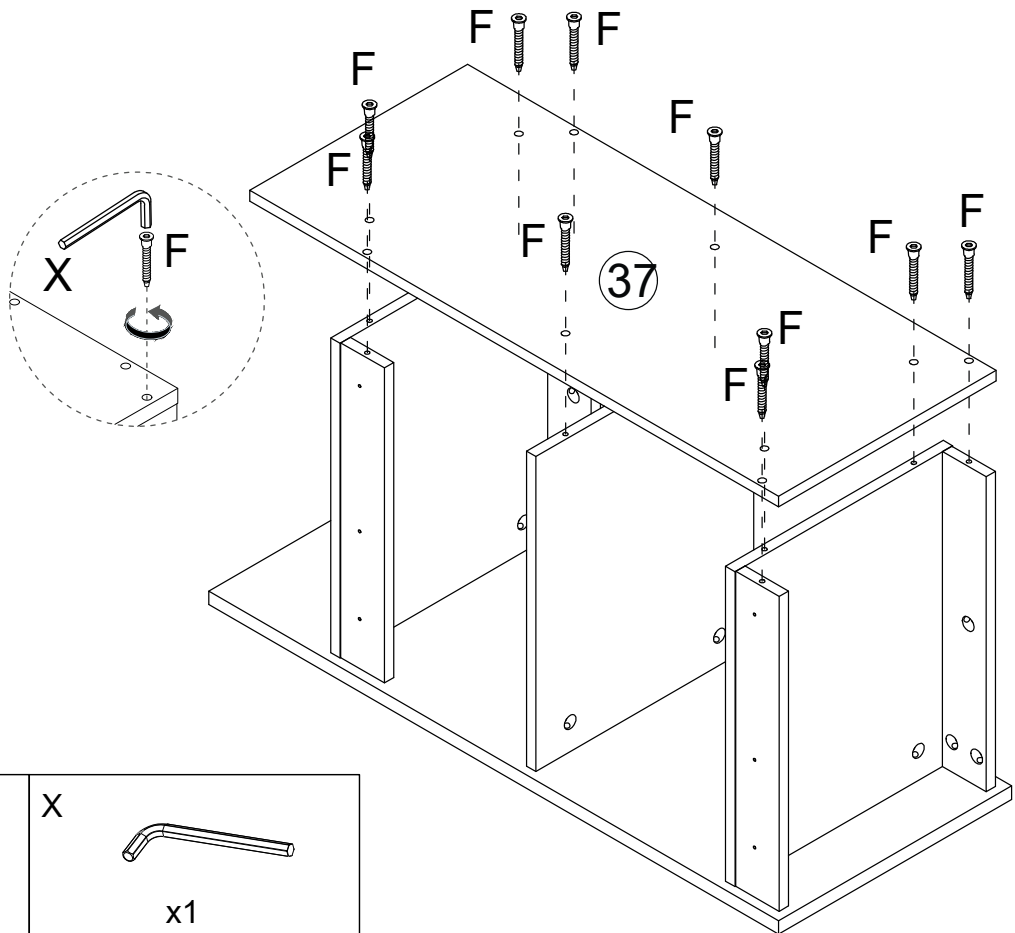
STEP 38



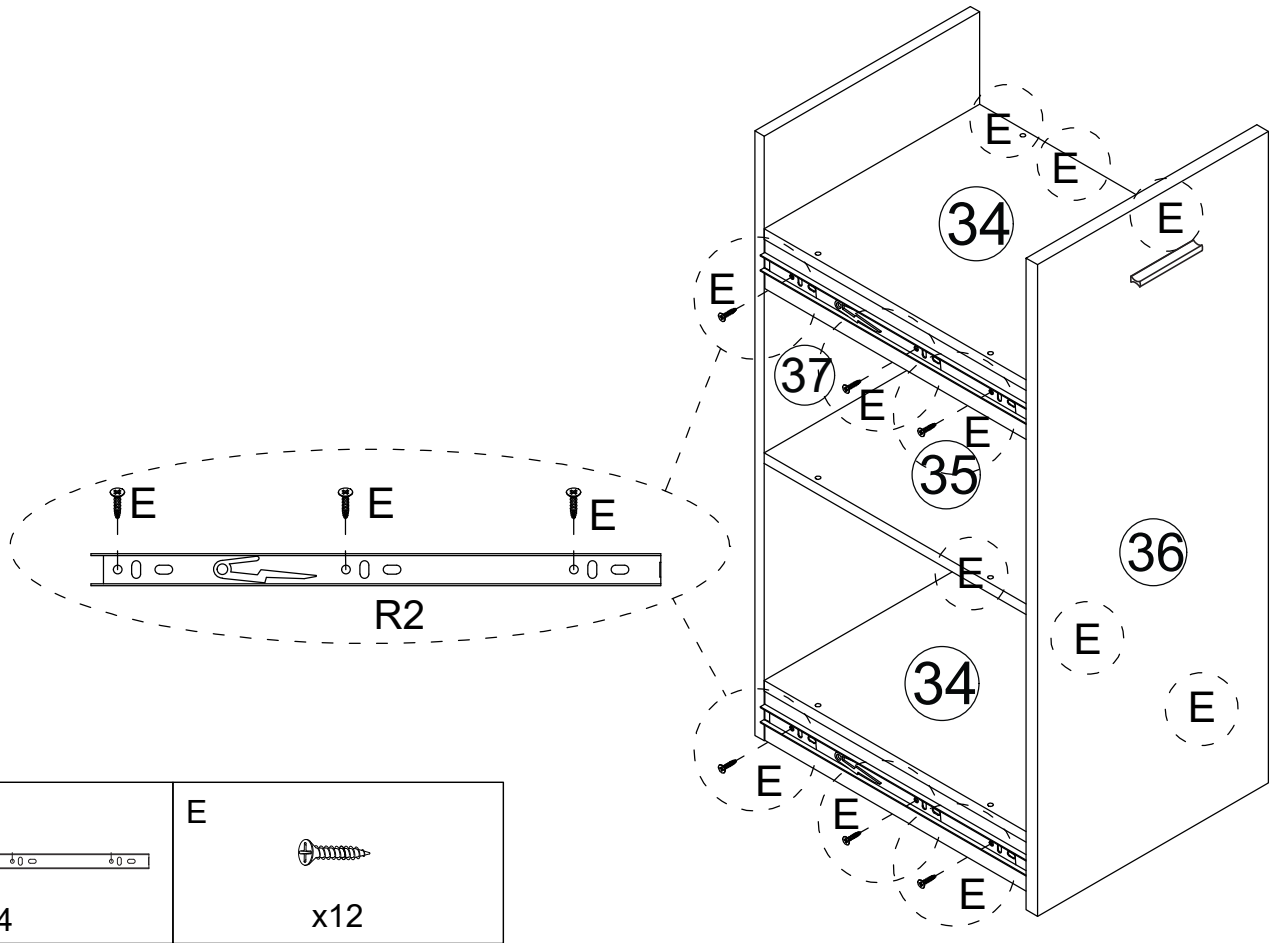
STEP 39

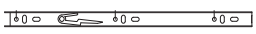



STEP 40

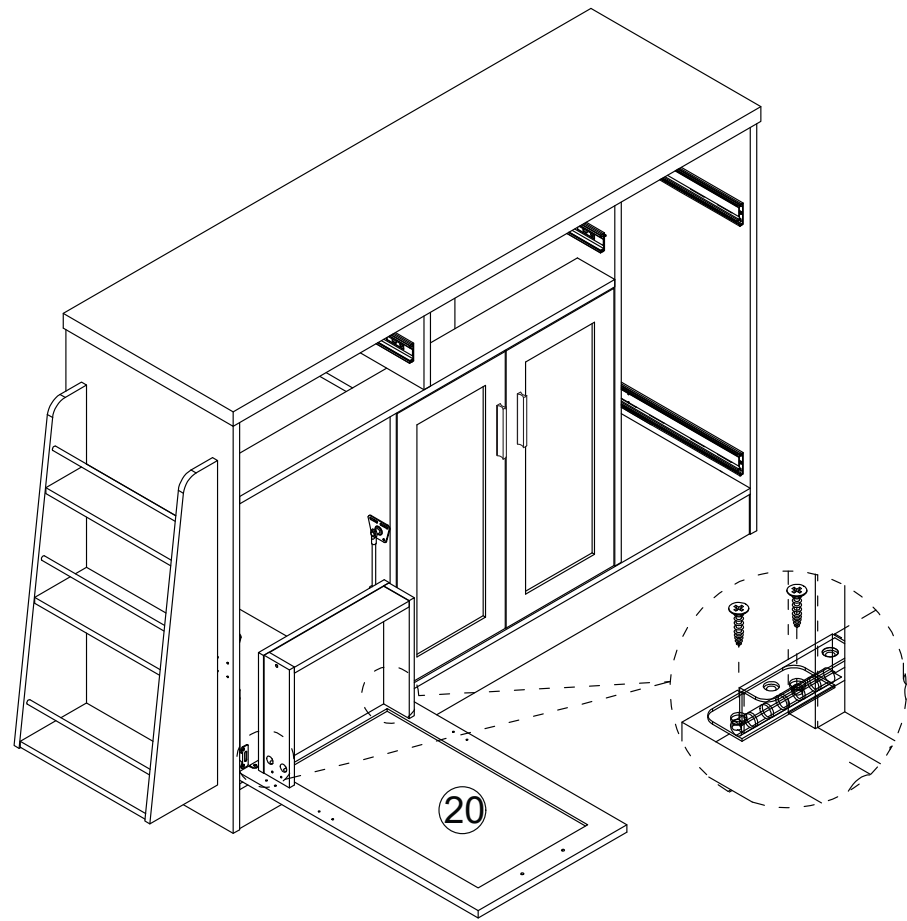



STEP 41



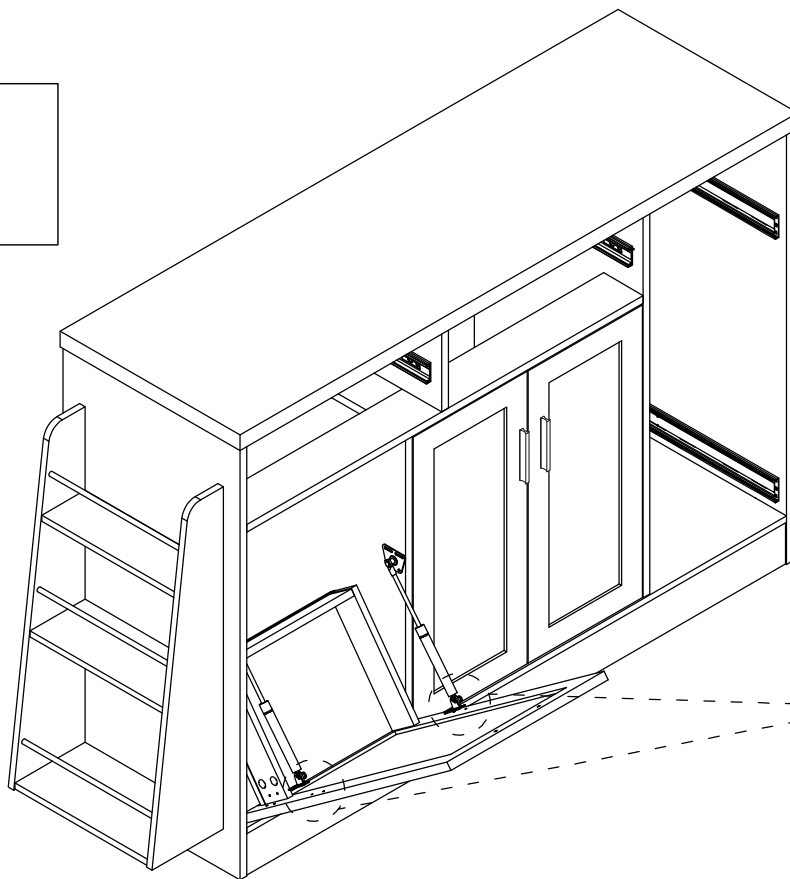
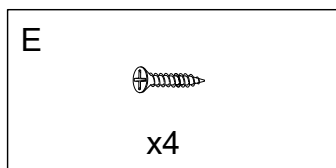
R2	E
	
x4	x12

STEP 42

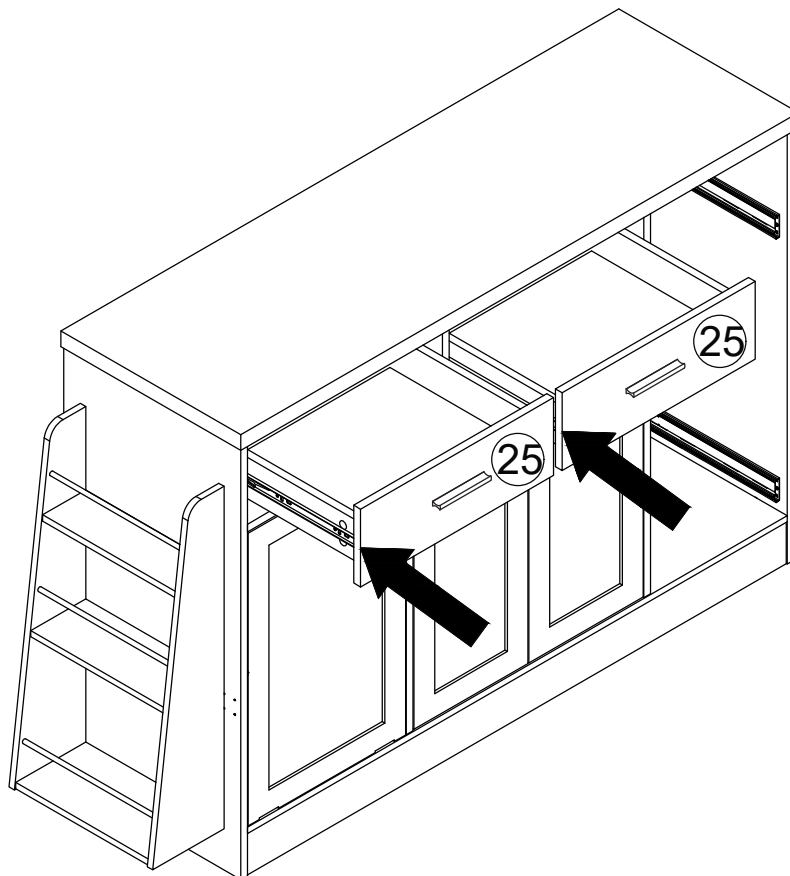


E

x4

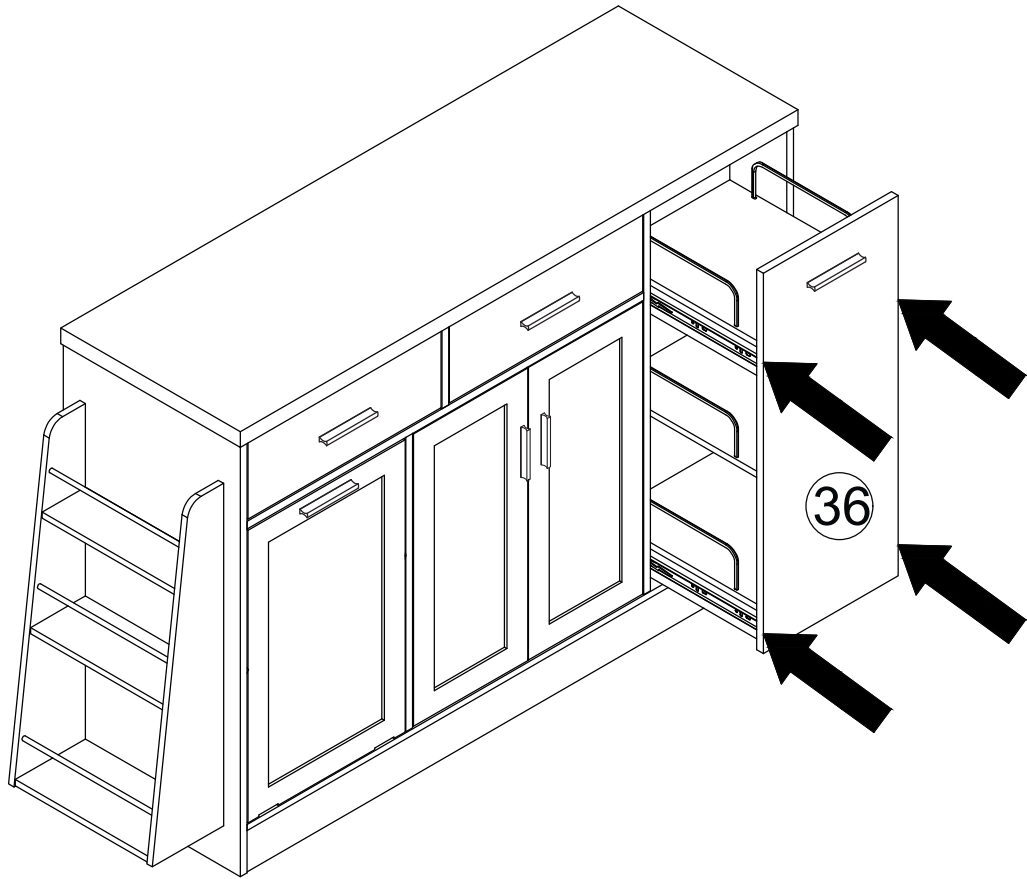
STEP 43



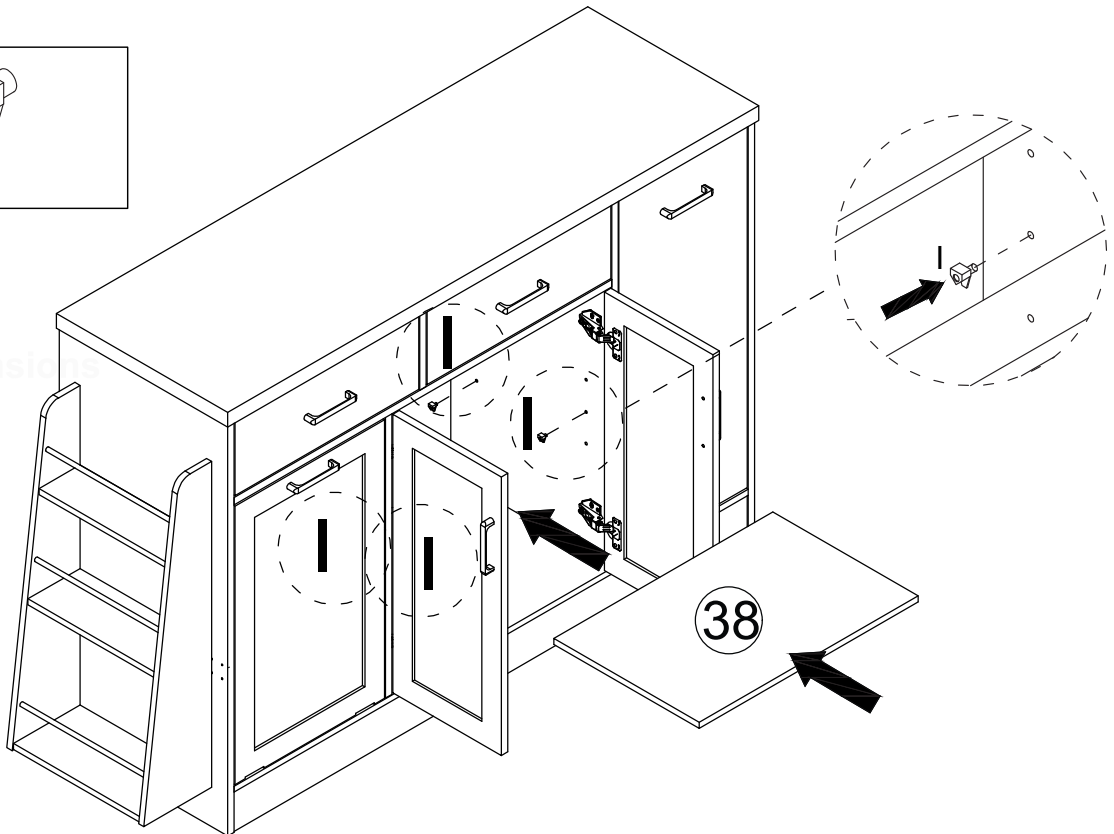
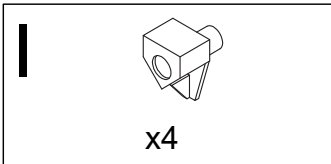
STEP 44



STEP 45



STEP 46



STEP 47

